

Incline Tube Manometer Type A2G-30

WIKA Datasheet A2G-30

Applications

- Monitoring differential pressure of air and other non-combustible, non aggressive gases.
- Monitoring of ventilators, fans and filters in climatic chambers and clean rooms.
- Filter monitoring in paint booths

Special Features

- Easy installation
- Leakage protection
- Easy to read scale
- Fast and easy zero point adjustment
- Standard accessories included

Description

Accuracy

0.02 InWC / 0.10 InWC

Scale range

0 ... 0.8" WC horizontal scale

1 ... 2.4" WC vertical scale

Max. pressure

30 psi (800 InWC)



**Incline Tube Manometer
Model A2G-30**

Operating temperature

Ambient: -40 ... +140°F

Medium: -40 ... +140°F

Ingress protection

NEMA 3 (IP 54 per EN 60 529 / IEC 529)

Weight

14oz. (420 g)

Standard features

Process connection

Hose barb nozzles (ABS) for 1/8" and 1/4" hose ID

Liquid filling

Red, specific gravity 0.786 kg/dm³ (at 60 °F), 30 ml

Case

ABS

Case cover

PMMA

Screws

PC

Gasket

NBR

Mounting position

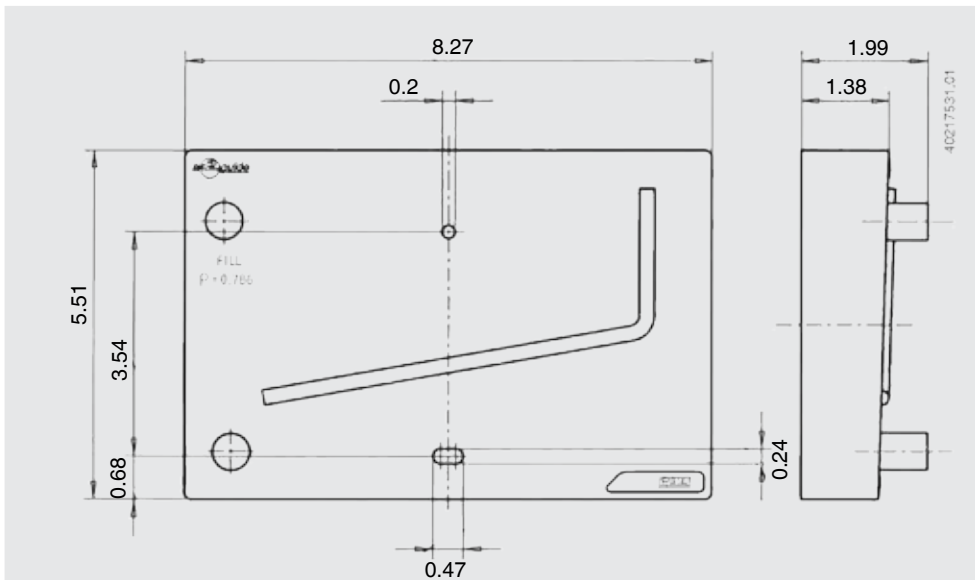
Horizontal wall mount position

Standard accessories

- 2 mounting screws
- Filling liquid
- Red and green pressure limit label

Dimensions in inches

Standard version



Ordering information

Model

The specifications given in this document represent the state of engineering at the time of publishing. We reserve the right to make modifications to the specifications and materials.



WIKA Instrument Corporation

1000 Wiegand Boulevard

Lawrenceville, GA 30043

Tel (770) 513-8200 Toll-free 1-888-WIKA-USA

Fax (770) 338-5118

E-Mail info@wika.com

www.wika.com