

▼ ZC3308JE



Productivity, Performance, Safety

- High-flow cordless solution saves users time and money by eliminating the need for using a generator and extension cords
- Brushless 1,0 kW motor and 3 stage pump maximizes pump and tool productivity while minimizing heat buildup and downtime
- The Lithium-Ion battery provides superior run time, even under extreme job site conditions
- Convenient 3 m pendant cord for hassle-free operation
- Reduced noise level 80 dBA max.
- Zero emission hydraulic power pack.

Z Tough.
Dependable.
Innovative.
CLASS

High-Performance Battery Power



Charger *

ZC115VC	120 V - 60 Hz
ZC230VC	230 V - 50 Hz

Battery **

ZC82V4NA	82 V, 4 Ah
ZC82V4EUAU	82 V, 4 Ah

* 1-hour quick charger

** NA is North America and EUAU is European and Australia.



Gauges

Minimize the risk of overloading and ensure long, dependable service from your equipment. Refer to the System Components

Section for a full range of gauges.

Page: 127



Hoses

Enerpac offers a complete line of high quality hydraulic hoses. To ensure the integrity of your system, specify only Enerpac

hydraulic hoses.

Page: 128



◀ Special Enerpac ZC-Series Cordless Hydraulic Pump used for rail stressing applications (page 190).



ZC-Series, Cordless Pumps

The Enerpac ZC-Series pump combines the performance of an electric pump with the convenience and portability of a battery pump. This quiet, cordless solution is ideal for applications where emission and noise are a concern, or when electricity or air is not readily available.

The Lithium-Ion battery provides impressive run times

Power for the pump is supplied by a rechargeable 82V lithium-ion battery.

The lithium-ion battery is capable of providing impressive run times, even under extreme job site conditions.

- 50 times lifting with RC1006 cylinder (95 ton, 168 mm stroke)
- 90 times lifting with RC504 cylinder (50 ton, 101 mm stroke).

Valve Options

- 4-way/3-position manual control valve used with double-acting cylinders
- 3-way/3-position manual control valve used with single-acting cylinders
- 4-way/3-position manual control valve with locking and power seat functions used in post tensioning concrete applications.

Applications

- High-flow cordless solution for industrial applications
- Foundation repair
- Rail industry
- Post-tensioning concrete.

ZC Series



Reservoir Capacity:

8 litres

Flow at Rated Pressure:

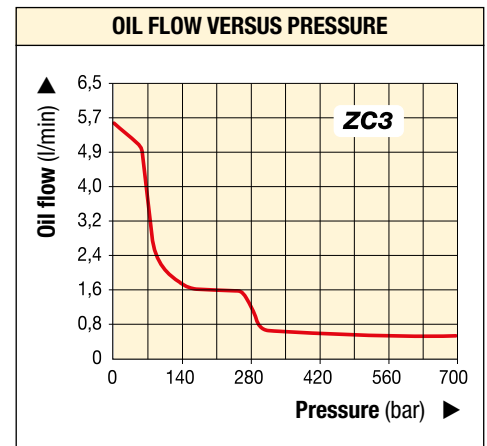
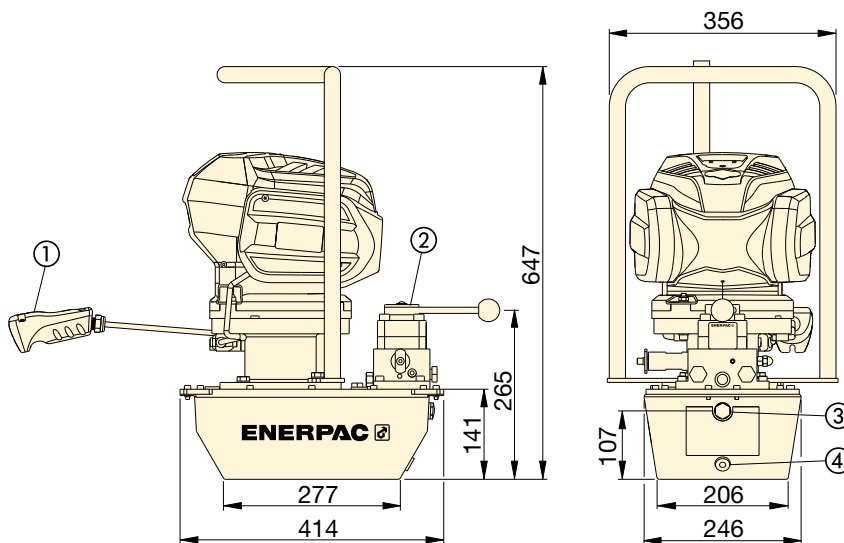
0,52 l/min

Motor Size:

1,0 kW

Maximum Operating Pressure:

700 bar



- ① Motor On/Off Remote Pendant
- ② VM43-LPS Valve Shown
- ③ Sight Glass
- ④ Oil Drain ½" NPTF

Used for Cylinder or Tools	Useable Oil Capacity (litres)	Manual Valve Model Number	Valve Function	Model Number *	Output Flow Rate (l/min)			Battery Charger Voltage V - Hz	** (kg)
					< 70 bar	< 275 bar	< 700 bar		
Single-Acting	6,6	VM33	Advance/Neutral/Retract	ZC3308JB	5,0	1,3	0,52	115 - 60	29,7
				ZC3308JE				230 - 50	
Double-Acting	6,6	VM43	Advance/Neutral/Retract	ZC3408JB	5,0	1,3	0,52	115 - 60	29,7
				ZC3408JE				230 - 50	
Power Seater Post-Tensioning Tools	6,6	VM43LPS	Advance/Hold/Retract	ZC3908JB	5,0	1,3	0,52	115 - 60	33,3
				ZC3908JE				230 - 50	

* All models meet CE safety requirements and all TÜV requirements. Pump includes one charger and battery.

** Weight including oil and battery. Battery weight = 2,6 kg.