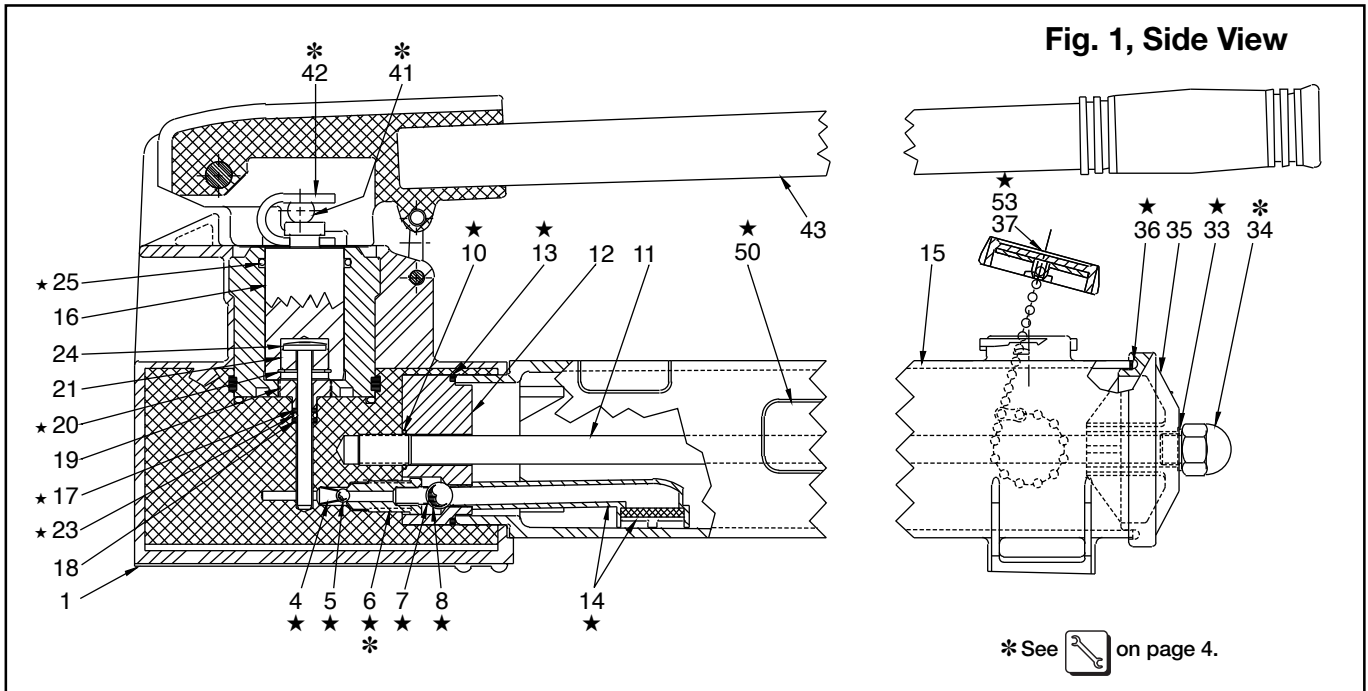


Repair Parts Sheet	Revision	Revision Date	Product Code Beginning
L1652	Rev. E	10/2010	O



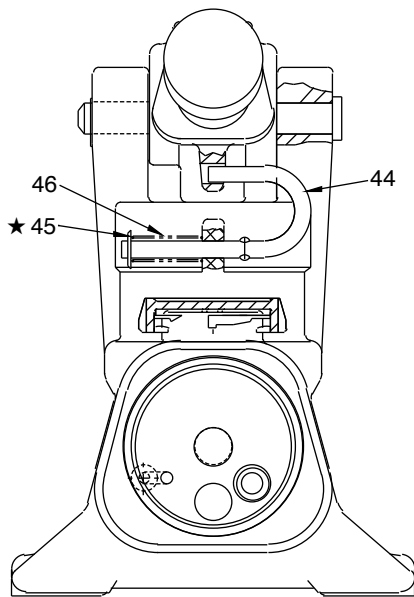
Repair Parts List, Fig. 1

L1652

Item	Part Number	Qty.	Description	Item	Part Number	Qty.	Description
1	(not sold for service)	1	Base	19	DA4344039	1	Bushing
4	★	1	Spring	20	★	1	Retaining Ring
5	★	1	3/16" Ball	21	DA4532186	1	Filler
6	★	1	Valve Seat	23	★	1	O-Ring
7	★	1	Spring	24	CB180040	1	Plunger
8	★	1	Ball	25	★	1	O-Ring
10	★	1	O-Ring	33	★	1	Gasket
11	DA4345107	1	Tie Rod	34	CL341055	1	Acorn Nut
12	DA4346071	1	Valve Disc	35	CN814020	1	End Cap
13	★	1	Square Ring	36	★	1	O-Ring
14	★	1	Filter Assembly	37	CN766950SR	1	Vent Cap Assembly
15	CR72025SR	1	Reservoir (incl. 13, 33, 34, 36, 50)	41	CR581061	1	Cross Pin
16	DA4528040	1	Plunger	42	CR339040	1	Plunger Clip
17	★	1	Back-Up Ring	43	CL918900SR	1	Beam/Handle Assy
18	DA4530186	1	Spacer	50	★	2	Decal, Enerpac
				53	★	1	Vent Cap Decal

★ Indicated items are available only as part of repair kit P2282K50.

Fig. 2, End View - Rear Cap Removed



Repair Parts List, Fig. 2

L1652

Item	Part Number	Qty.	Description
44	CM927061	1	Locking Pin
45	★	1	Push-On Ring
46	Y267110	1	Spring

★ Indicated items are available only as part of repair kit P2282K50.

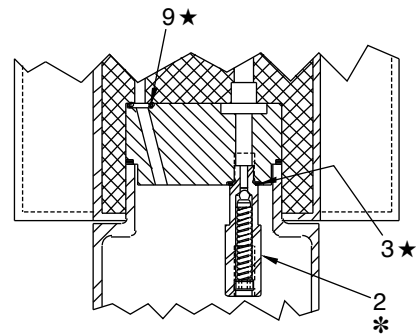
Repair Parts List, Fig. 3

L1652

Item	Part Number	Qty.	Description
2	CR210900W	1	Safety Valve Assembly
3	★	1	Gasket
9	★	1	O-Ring

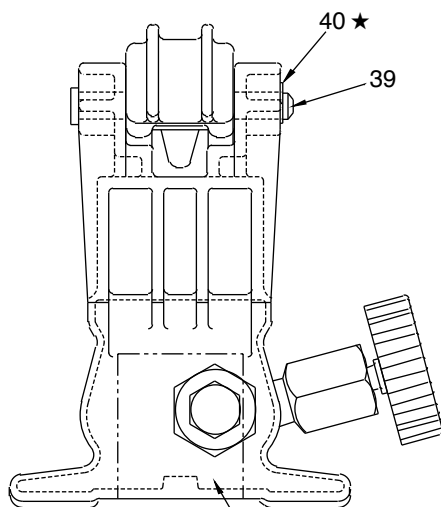
★ Indicated items are available only as part of repair kit P2282K50.

Fig. 3, Safety Valve Assembly (top view)



* See  on page 4.

Fig. 4, Front View



NOTE: Pump serial number located in this area.

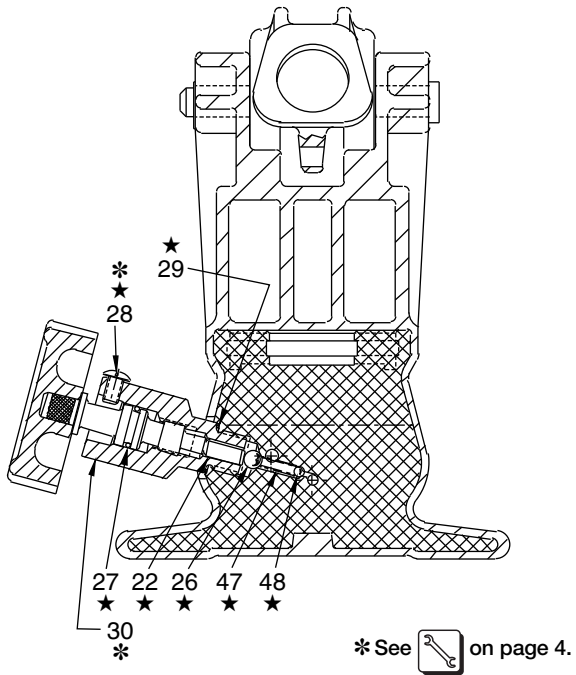
Repair Parts List, Fig. 4

L1652

Item	Part Number	Qty.	Description
39	CR214061	1	Beam Pin
40	★	1	Retaining Ring

★ Indicated items are available only as part of repair kit P2282K50.

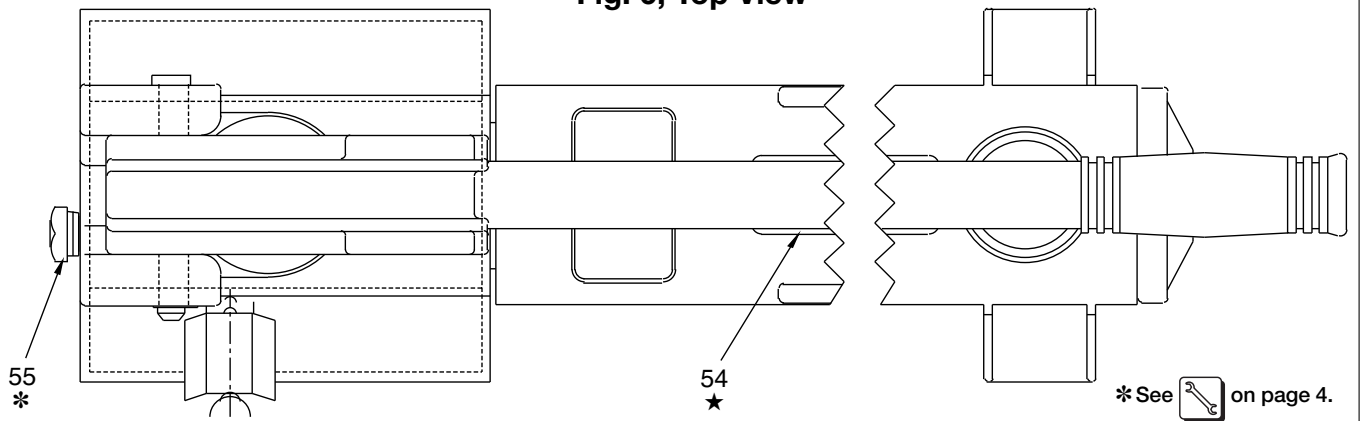
Fig. 5, Release Valve (End View)



Repair Parts List, Fig. 5			L1652
Item	Part Number	Qty.	Description
22	★	1	Pin
26	★	1	Ball
27	★	1	O-Ring
28	★	1	Screw
29	★	1	Gasket
30	DC4383900SR	1	Release Housing, Spindle
47	★	1	Spring
48	★	1	1/8" Ball

★ Indicated items are available only as part of repair kit P2282K50.

Fig. 6, Top View



Repair Parts List, Fig. 6			L1652
Item	Part Number	Qty.	Description
54	★	1	Warning Decal
55	C898166	1	Adaptor

★ Indicated items are available only as part of repair kit P2282K50.



Service Information		L1652
Item	Torque / notes	
2	6.8 - 7.9 Nm 60 - 70 In - Lbs. (valve housing)	
6	34 - 41 Nm 25 - 30 Ft - Lbs.	
28	Apply Loctite 222 before assembly.	
30	34 - 41 Nm 25 - 30 Ft - Lbs.	
34	20 - 26 Nm 15 - 19 Ft - Lbs.	
41 and 42	Apply grease (roller bearing quality) to contact surfaces.	
55	60 - 72 Nm 44 - 53 Ft - Lbs.	

Item	Pressure Setting
2	13.7 - 17.2 Bar 200 - 250 Psi



To maintain your warranty,
have your products inspected and repaired
by an authorised Enerpac Service Centre
www.enerpac.com

ADDENDUM - FOR ENERPAC INTERNAL USE ONLY



Repair Parts Sheet

P2282 Hand Pump

Repair Parts Sheet	Revision	Revision Date	Product Code Beginning
L1652	Rev. E	10/2010	O

Complete Repair Parts List - All Part Numbers Shown (refer to figures 1 through 6 for item locations)								L1652
Item	Part Number	Qty.	Description	Item	Part Number	Qty.	Description	
1	(not sold for service)	1	Base	25	★ B1257503	1	O-Ring	
2	CR210900W	1	Safety Valve Assembly	26	★ F100016-6	1	Ball	
3	★ S3037	1	Gasket	27	★ B1007503	1	O-Ring	
4	★ A8044110	1	Spring	28	★ DA4534628	1	Screw	
5	★ B1005016	1	3/16" Ball	29	★ DA4535167	1	Gasket	
6	★ DA4416290	1	Valve Seat	30	DC4883900SR	1	Release Housing, Spindle	
7	★ DA4527110	1	Spring	33	★ CU293167	1	Gasket	
8	★ B1011016	1	Ball	34	CL341055	1	Acorn Nut	
9	★ B1008803	1	O-Ring	35	CN814020	1	End Cap	
10	★ B1219503	1	O-Ring	36	★ B1281503	1	O-Ring	
11	DA4345107	1	Tie Rod	37	CN766950SR	1	Vent Cap Assembly	
12	DA4346071	1	Valve Disc	39	CR214061	1	Beam Pin	
13	★ B1135517	1	Square Ring	40	★ DA1177349	1	Retaining Ring	
14	★ DA3729900SR	1	Filter Assembly	41	CR581061	1	Cross Pin	
15	CR72025SR	1	Reservoir (incl. 13, 33, 34, 36, 50)	42	CR339040	1	Plunger Clip	
16	DA4528040	1	Plunger	43	CL918900SR	1	Beam/Handle Assy	
17	★ DA4529566	1	Back-Up Ring	44	CM927061	1	Locking Pin	
18	DA4530186	1	Spacer	45	★ CM928044	1	Push-On Ring	
19	DA4344039	1	Bushing	46	Y267110	1	Spring	
20	★ DA4531249	1	Retaining Ring	47	★ DA6944110	1	Spring	
21	DA4532186	1	Filler	48	★ B1003016	1	1/8" Ball	
22	★ DC4308059	1	Pin	50	★ CR59026	2	Decal, Enerpac	
23	★ B1009803	1	O-Ring	53	★ CN780026	1	Vent Cap Decal	
24	CB180040	1	Plunger	54	★ DA5286026	1	Warning Decal	
				55	C898166	1	Adaptor	

★ Indicated items are available only as part of repair kit P2282K50.

