

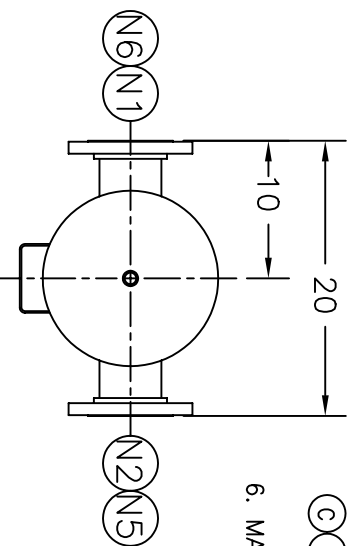
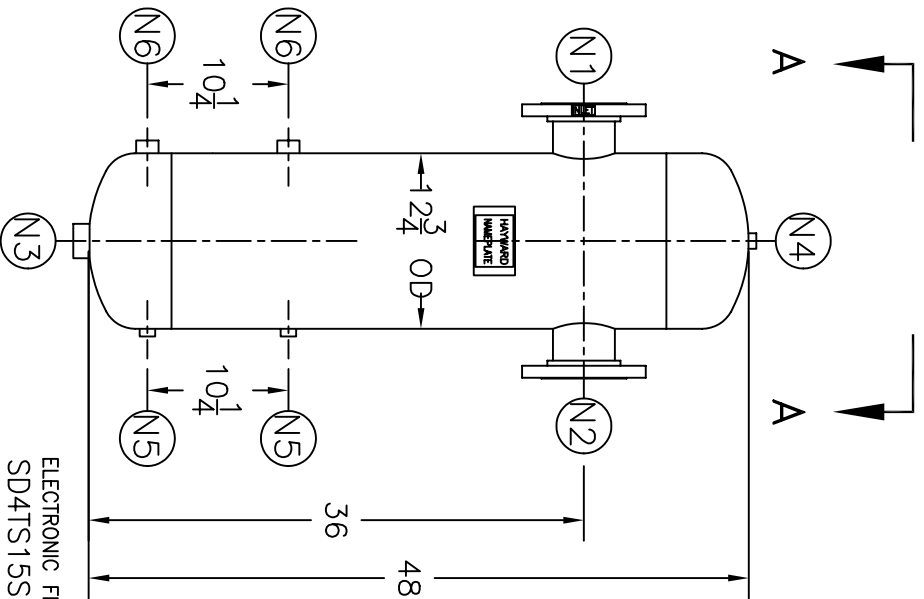
NOZZLE SCHEDULE	
ITEM	DESCRIPTION
N1	4" - 150# RFSO ASME B16.5
N2	4" - 150# RFSO ASME B16.5
N3	1-1/2" NPT 3000# COUPLING
N4	1/2" NPT 3000# COUPLING
N5	1/2" NPT 3000# COUPLING
N6	2 1" NPT 3000# COUPLING

REV	DATE	CHANGE	ECR	BY	APP
A	03/30/99	NEW ISSUE	7355	AB	DP
B	10/3/01	REVISED HYDROTEST PRESSURE	9858	GC	VH
C	10/14/05	REVISED HYDROTEST PRESSURE	D500	LH	FM

NOTES:

- UNITS ARE TO BE DESIGNED, FABRICATED, AND CODE STAMPED (IF REQUIRED) IN ACCORDANCE WITH ASME B & PV CODE, SECTION VIII, DIVISION 1 IN COMPLIANCE TO CURRENT PUBLISHED ADDENDA.
- ALL DIMENSIONS ARE IN INCHES.
- ALL BOLT HOLES ARE TO STRADDLE NATURAL CENTERLINES.
- SHIPPING WEIGHT: 175 POUNDS.
- DESIGN DATA:

DESIGN PRESSURE-	150 PSIG
DESIGN TEMPERATURE-	300° F
MIN. DESIGN METAL TEMP.-	-20° F @ 150 PSIG
HYDROTEST PRESSURE-	206 PSIG
CORROSION ALLOWANCE-	0 INCHES
- MATERIAL: 304L STAINLESS STEEL.



VIEW A-A
TRUE ORIENTATION

ELECTRONIC FILE NAME:
SD4TS15S.DWG

TOLERANCES UNLESS OTHERWISE SPECIFIED
PER ENGINEERING STANDARD ES- --

UNAUTHORIZED USE, MANUFACTURE OR
REPRODUCTION IN WHOLE OR IN PART IS
PROHIBITED. DRAWING, DESIGN AND
OTHER DISCLOSURES PROPERTY OF
EATON FILTRATION, LLC

DRAWN		AB	DATE	03/30/99	CHECKED	DP	DATE	03/30/99
APP		--	DATE	--	SCALE	NTS	ECR	7355
SIZE	DWG	<p>CUSTOMER: REG. NO.: P.O. NO.: TAG NO.: HAYWARD PART NO.: 4TS150S, 4TS150SU & 4TS150SM</p> <p>EATON FILTRATION, LLC 900 FAIRMOUNT AVENUE, ELIZABETH, NEW JERSEY 07207</p> <p>4" TYPE "TS" GAS/LIQUID SEPARATOR 150# FLG 304L SSTL</p>						
A	NO	<p>SD4TS150S</p>						
REV		C						