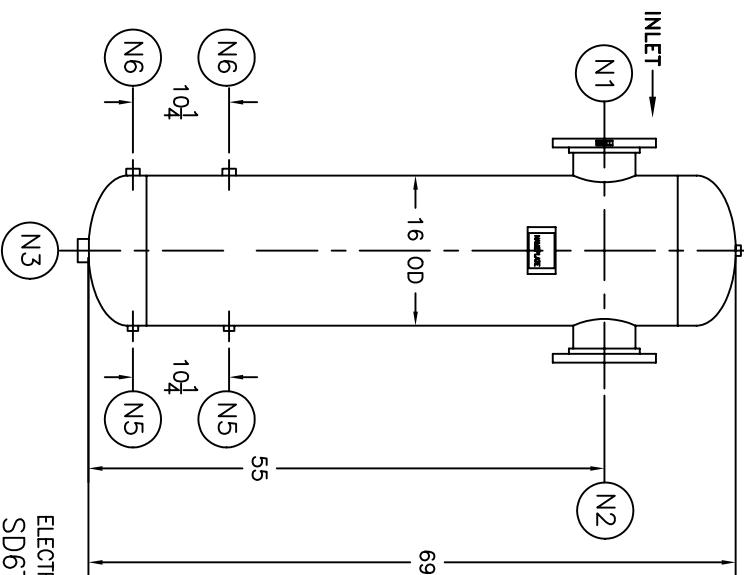
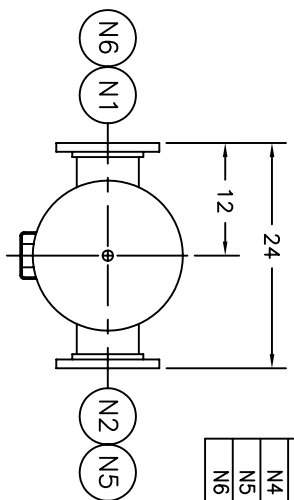


| NOZZLE SCHEDULE | | | |
|-----------------|------|-----------------|-----------------------------|
| ITEM | QTY. | NAME | DESCRIPTION |
| N1 | 1 | INLET | 6" - 150# RFSO, B16.5 |
| N2 | 1 | OUTLET | 6" - 150# RFSO, B16.5 |
| N3 | 1 | DRAIN | 1-1/2" - NPT 3000# COUPLING |
| N4 | 1 | VENT | 1/2" - NPT 3000# COUPLING |
| N5 | 2 | W.G. CONNS. | 1/2" - NPT 3000# COUPLING |
| N6 | 2 | L. LEVEL. CONN. | 1" - NPT 3000# COUPLING |



| REV | DATE | CHANGE | ECR | BY | APP |
|-----|---------|---------------------|------|----|-----|
| A | 10/3/01 | NEW RELEASE | 9858 | GC | VH |
| B | 11/1/05 | REVISED TITLE BLOCK | D507 | FM | LH |


NOTES:

- UNITS ARE TO BE DESIGNED, FABRICATED, & CODE STAMPED (IF REQ'D) IN ACCORDANCE WITH ASME B & PV CODE, SECTION VIII, DIVISION 1 IN COMPLIANCE TO CURRENT PUBLISHED ADDENDA.
- ALL DIMENSIONS ARE IN INCHES.
- ALL BOLT HOLES ARE TO STRADDLE NATURAL CENTERLINES.
- SHIPPING WEIGHT: 285 POUNDS.
- DESIGN DATA:
 DESIGN PRESSURE - 150 PSIG
 DESIGN TEMPERATURE - 300°F
 MIN. DESIGN METAL TEMP. - -20°F AT 150 PSIG
 HYDROTEST PRESSURE - 195 PSIG
 CORROSION ALLOWANCE - 0 INCHES
 6. MATERIAL: 304L STAINLESS STEEL.

ELECTRONIC FILE NAME:
SD6TS150S.DWG

TOLERANCES UNLESS OTHERWISE SPECIFIED
PER ENGINEERING STANDARD ES- --

UNAUTHORIZED USE, MANUFACTURE OR
REPRODUCTION IN WHOLE OR IN PART IS
PROHIBITED. DRAWING, DESIGN AND
OTHER DISCLOSURES PROPERTY OF
EATON FILTRATION, LLC

| | | | | | | | |
|---|-----|---|---------|-----------|-----|------|---------|
|  | | EATON FILTRATION, LLC 900 FAIRMOUNT AVENUE, ELIZABETH, NEW JERSEY 07207 | | | | | |
| | | 6" TYPE "TS" GAS/LIQUID SEPARATOR 150# FLG 304L | | | | | |
| DRAWN | GC | DATE | 10/3/01 | CHECKED | FJM | DATE | 10/3/01 |
| APP | VH | DATE | 10/3/01 | SCALE | NTS | ECR | 9858 |
| SIZE | DWG | NO | | SD6TS150S | | REV | B |

CUSTOMER:
REG. NO.:
P.O. NO.:
TAG NO.:
PART NO.: 6TS150S, 6TS150SU & 6TS150SM