

(4) 3/4" ϕ [190] BOLT HOLES
LOCATED AS SHOWN
ON 26.13 ϕ [664 ϕ] B.C.

SECTION B-B

ITEM	PART NAME	MATERIAL
1	BODY	SA240 304/304L
2	COVER	SA240 304/304L
3	O-RING	BUNA-N
4	PIN	SA193 B7 ZINC PL
5	SNAP RING	STEEL ZINC PL
6	BASKET RESTRAINER	304 SS
7	FILTER BAG RETAINER	316 SS
8	EYE BOLT	SA193 B7 ZINC PL
9	HEX NUT	SA194 2H ZINC PL
10	WASHER	STEEL ZINC PL
11	DAVIT ASSEMBLY	CARBON STEEL

NOTES:

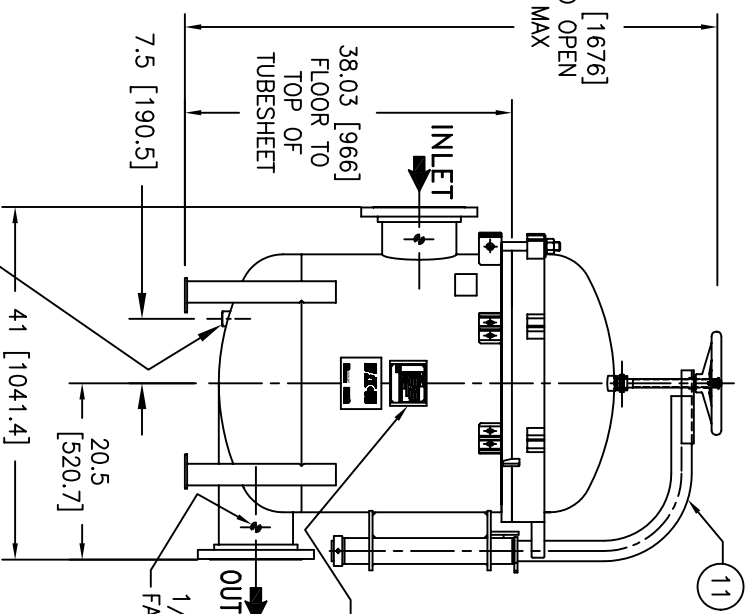
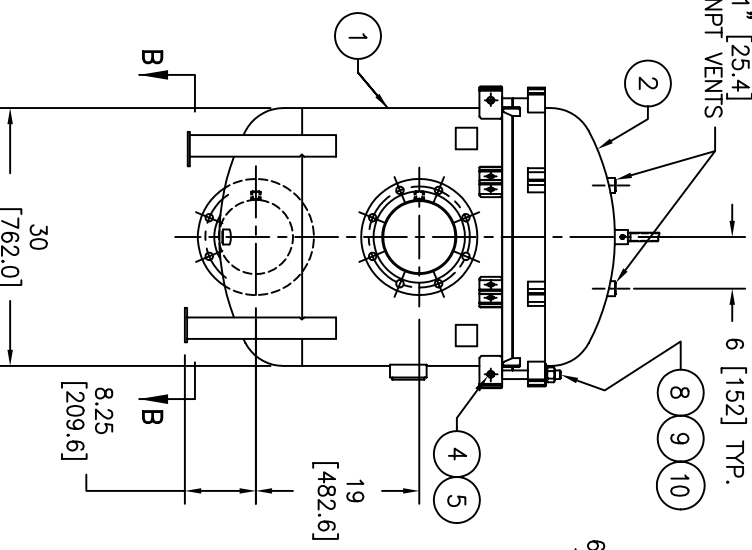
- UNITS ARE TO BE DESIGNED, FABRICATED & "U" STAMPED IN ACCORDANCE WITH ASME SECT. VIII, DIV. 1 BOILER & PRESSURE VESSEL CODE, IN COMPLIANCE TO LATEST ADDENDA.
- INLET / OUTLET FLANGE CONNECTIONS PER ANSI B 16.5.
- DESIGN PRESSURE: 150 PSI (MAWP)
DESIGN TEMPERATURE 250° F.
MDMT - -20° F @ 150 PSI.
- ALL DIMENSIONS ARE IN INCHES / (MM).
- ALL BOLT HOLES ARE TO STRADDLE NATURAL CENTERLINES.
- APPROX. WEIGHT (DRY) 655 LB. (297 KG.)

CERTIFIED FOR:
P.O. NO.:
SALES ORDER NO.:
QUOTE NO.:
TAG NO.:
VESSEL CODE: MBF-0802-BB10-080A-UT-11HD
PART NUMBER: F3AV08000003-304

EATON FILTRATION, LLC

900 FAIRMOUNT AVENUE, ELIZABETH, NEW JERSEY 07207

NAME: MAXILINE MBF0802HD FILTER VESSEL
8" 150# RF INLET / TANGENTIAL OUTLET
STAINLESS STEEL-304



ELECTRONIC FILE NAME: HD0808TS-304.DWG
REF. ECR E370 DATE 12/13/06

UNAUTHORIZED USE, MANUFACTURE OR REPRODUCTION IN WHOLE OR IN PART IS PROHIBITED. DRAWING, DESIGN AND OTHER DISCLOSURES PROPERTY OF EATON FILTRATION, LLC

DRAWN	DATE	CERT.	DATE	REV
A	12/13/06	LH	12/13/06	A

HD0808TS-304