

ECOLINE™ Single Bag Filter Housing



*Lightweight,
economical single bag
filter housing for
commercial applications*

Eaton's ECOLINE single bag filter housing is a lightweight design for commercial, OEM, non-hazardous, low-pressure applications that do not require a code stamp.

This single bag filter housing is a highly cost-effective solution for price-sensitive applications and features a handy V-clamp closure and threaded couplings. Units come standard with filter bag size 01, 02, 03 or 04 stainless steel restrainer baskets.

Features

- Side inlet with evacuation cover prevents spillage of unfiltered liquid, allowing for clean and easy filter bag change-outs
- V-clamp cover closure is easy to operate, allowing cover to be removed or closed quickly
- Compression hold down creates 360 degree sealing between the filter bag and the bag filter housing
- Designed with a 1/4" thread port on the lid for vent or gauge
- Smooth, bead-blasted finish makes it easy to completely clean the interior

Options

- Available in 304 and 316 Ti stainless steel for high corrosion resistance
- Adjustable mounting legs for simplified installation
- Multiple I/O connections to suit application



Powering Business Worldwide

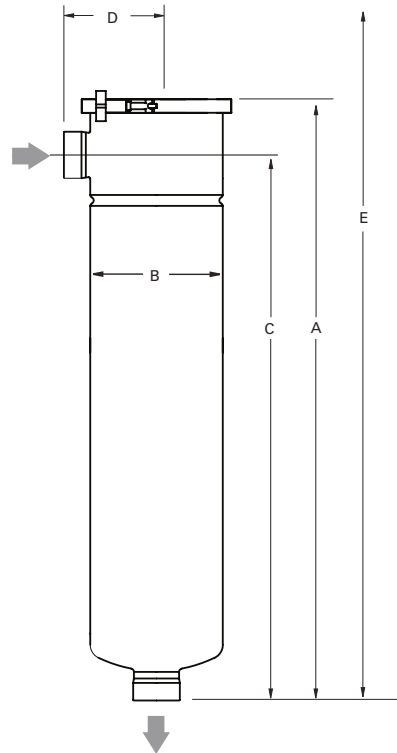


Unique, internal body-to-basket O-ring seal prevents bypass and is easy to maintain

ECOLINE Single Bag Filter Housing

Applications

Coarse filtration > 500 µm	✓
Medium filtration > 10 µm	
Fine filtration < 10 µm	
Pre-filtration	✓
Safety filtration	
High volume	
Batch filtration	
Circuit filtration	
Continuous filtration	
Solvents, paints	
Fats and oils	
Catalyst, activated carbon	
Acids, bases	
Petrochemicals	
Water, waste water	✓
Chemical industry	
Pharmaceuticals	
Metal cleaning	
Automotive	
Electronics	
Food and beverage	
Paint and lacquer	
Water treatment	✓
Galvanic industry	



Dimensions - mm

Models	A	B	C	D	E
EBF-0101	559	195	489	150	940
EBF-0102	954	195	884	150	1727
EBF-0103	355	114	299	110	609
EBF-0104	514	114	454	110	876

Dimensions for reference only and approximate. Exact dimensions for installation purposes available on request.

Technical data

Models	No. of filter bags	Size	Flow rate ¹ m ³ /h	Max. pressure bar	Max. temp. °C	Housing volume l	Housing weight kg	I/O connections
EBF-0101	1	1	20	6	120	15.5	7.5	2" BSP female thread
EBF-0102	1	2	40	6	120	27	11	2" BSP female thread
EBF-0103	1	3	6	9	120	3	3.5	1 1/2" BSP female thread
EBF-0104	1	4	12	9	120	4.5	4.5	1 1/2" BSP female thread

¹ Maximum theoretical flow based on water viscosity, filter bag specific.

North America
44 Apple Street
Tinton Falls, NJ 07724
Toll Free: 800 656-3344
(North America only)
Tel: +1 732 212-4700

China
No. 3, Lane 280,
Linhong Road
Changning District, 200335
Shanghai, P.R. China
Tel: +86 21 5200-0099

Europe/Africa/Middle East
Auf der Heide 2
53947 Nettersheim, Germany
Tel: +49 2486 809-0

Singapore
4 Loyang Lane #04-01/02
Singapore 508914
Tel: +65 6825-1668

Friedensstraße 41
68804 Altlußheim, Germany
Tel: +49 6205 2094-0
An den Nahewiesen 24
55450 Langenlonsheim, Germany
Tel: +49 6704 204-0

Brazil
Rua Clark, 2061 - Macuco
13279-400 - Valinhos, Brazil
Tel: +55 11 3616-8400

For more information, please email us at filtration@eaton.com or visit www.eaton.com/filtration

© 2017 Eaton. All rights reserved. All trademarks and registered trademarks are the property of their respective owners. All information and recommendations appearing in this brochure concerning the use of products described herein are based on tests believed to be reliable. However, it is the user's responsibility to determine the suitability for his own use of such products. Since the actual use by others is beyond our control, no guarantee, expressed or implied, is made by Eaton as to the effects of such use or the results to be obtained. Eaton assumes no liability arising out of the use by others of such products. Nor is the information herein to be construed as absolutely complete, since additional information may be necessary or desirable when particular or exceptional conditions or circumstances exist or because of applicable laws or government regulations.

EN
EF-FBH-14
03-2017