

Pressure Balance

GB

Kolbenmanometer

D

CPB 5000



Pressure Balance CPB 5000



Information

This symbol provides you with information, notes and tips.



Warning!

This symbol warns you against actions that can cause injury to people or damage to the instrument.

Contents

1. General	5
1.1 General Instructions	5
1.2 Safety Instructions	6
2. Product Description	7
2.1 General Product Information	7
2.2 Basic principle of the Pressure Balance	8
2.3 Factors at work	8
2.3.1 Local fluctuations in the gravity-value	8
2.3.2 Temperature (Piston/Cylinder)	9
2.3.3 Ambient conditions	9
2.3.4 How the cross-sectional surface responds to pressure	10
2.4 Arrangement of control elements	10
2.4.1 Pneumatic low-pressure base	11
2.4.2 Pneumatic high-pressure / vacuum base	12
2.4.3 Hydraulic base	13
3. Commissioning and Operation	14
3.1 Preparation	14
3.1.1 Setting up the Device	14
3.1.1.1 Instructions for pneumatic high-pressure / vacuum version	14
3.1.1.2 Instructions for pneumatic version with integrated gas to oil separator	14
3.1.1.3 Instructions for hydraulic version	15
3.1.2 Installing the ConTect System	16
3.1.2.1 Connection for piston/cylinder system with M30 x 2 female thread	16
3.1.2.2 Connection for piston/cylinder system with ConTect quick connector	17
3.1.2.3 Vacuum piston/cylinder system	18
3.1.2.4 Connection for piston/cylinder system with integrated separator, M30 x 2 female thread	19
3.1.3 Connecting the test specimen	20
3.1.4 Venting the System (Hydraulic Design only)	20
3.2 Operation	21
3.2.1 Weight Pieces	21
3.2.2.1 Approaching the pressure value – hydraulic base	22
3.2.2.2 Approaching the pressure value – pneumatic low-pressure base	22
3.2.2.3 Approaching the pressure value – pneumatic high-pressure / vacuum base	23
3.2.2.4 Approaching the pressure value – pneumatic version with separator	23
3.2.3 Pressure stable	23
3.2.4 Next pressure level	24
3.2.5 Vacuum operation	24
3.2.5.1 Weight pieces for vacuum	24
3.2.5.2 Approaching the vacuum values	25
3.2.5.3 Vacuum stable	25
3.2.5.4 Next vacuum level	25
3.2.6 Releasing pressure – hydraulic , pneumatic and vacuum	25
3.3 Disassembly	26
4. Troubleshooting measures	27
5. Maintenance and Care	28

5.1 Cleaning	28
5.1.1 Piston/Cylinder system	28
5.1.1.1 Hydraulic piston/cylinder system	28
5.1.1.2 Pneumatic piston/cylinder system	30
5.1.2 Weight Set	31
5.2 Wear Parts	31
5.3 Changing the Hydraulic Oil (Hydraulic Design only)	32
5.3.1 Removing Hydraulic Oil	32
5.3.2 Filling in of Hydraulic Oil	32
5.3.3 Venting of the System (after Complete Filling only)	32
5.4 Recalibration	33
6. Specifications	34
7. Tables of masses	37
7.1 Hydraulic models	37
7.2 Pneumatic models	38
8. Accessories	39

1. General

1.1 General Instructions

In the following chapters detailed information on the CPB 5000 pressure balance and its proper use can be found.

Should you require further information, or should there be problems which are not dealt within detail in the operating instructions, please contact the address below:

WIKA Alexander Wiegand SE & Co. KG

Alexander Wiegand Strasse

D-63911 Klingenberg

Tel: +49-(0)9372/132-0

Fax: +49-(0)9372/132-406

E-Mail: calibration@wika.de

If nothing to the contrary is agreed, the pressure balance is calibrated in compliance with the currently valid body of international regulations and can be referred directly to a national standard.

The warranty period for the pressure balance is 24 months according to the general terms of supply of ZVEI.

The guarantee is void if the appliance is put to improper use or if the operating instructions are not observed or if an attempt is made to open the appliance or to release attachment parts or the tubing.

We also point out that the content of these operating instructions neither forms part of an earlier or existing agreement, assurance or legal relationship nor is meant to change these. All obligations of WIKA Alexander Wiegand SE & Co. KG result from the respective sales contract and the general business terms of WIKA Alexander Wiegand SE & Co. KG.

WIKÄ is a registered trade mark of WIKÄ Alexander Wiegand SE & Co. KG.

Names of companies or products mentioned in this handbook are registered trade marks of the manufacturer.

The devices described in this manual represent the latest state of the art in terms of their design, dimension and materials. We reserve the right to make changes to or replace materials without any obligation to give immediate notification.

Duplication of this manual in whole or in part is prohibited.

1.2 Safety Instructions



Read these operating instructions carefully prior to operating the pressure balance CPB 5000. Its trouble-free operation and reliability cannot be guaranteed unless the safety advice given in this manual is followed when using the device.

1. The system must only be operated by trained and authorised personnel who know the manual and can work according to them.
 2. Trouble-free operation and reliability of the device can only be guaranteed so long as the conditions stated under "Setting up the device" are taken into consideration.
 3. The CPB 5000 always has to be handled with the care required for an precision instrument (protect from humidity, impacts and extreme temperatures). The device, the piston-cylinder-system and the mass-set must be handled with care (don't throw, hit, etc.) and protect them from contamination. By no means apply any force to the operating elements of the CPB 5000.
 4. If the device is moved from a cold to a warm environment, you should therefore ensure the device temperature has adjusted to the ambient temperature before trying to put it into operation.
 5. If the equipment is damaged and might no longer operate safely, then it should be taken out of use and securely marked in such a way so that isn't used again.
Operator safety may be at risk if:
 - There is visible damage to the device
 - The device is not working as specified
 - The device has been stored under unsuitable conditions for an extended period of time.
- If there is any doubt, please return the device to the manufacturer for repair or maintenance.
6. Customers must not attempt to alter or repair the device themselves. If the instrument is opened or attachment parts or the tubing are released, its trouble-free operation and reliability is impaired and endangers the operator. Please return the device to the manufacturer for any repair or maintenance.
 7. There must be used only the original sealings in the device.
 8. Any operation not included in the following instructions or outside the specifications must not be attempted.

2. Product Description

2.1 General Product Information

■ Application

Pressure balances are the most accurate instruments for the calibration of electronic or mechanical pressure measuring instruments. The direct measurement of pressure, according to its definition as a quotient of force and area, and the use of high-quality materials result in small uncertainties of measurement and an excellent long-term stability of five years.

For these reasons pressure balances have already been used in calibration laboratories of industry, national institutes and research labs for many years. Due to the integrated pressure generation and the purely mechanical measuring principle the CPB 5000 is also ideally suited for on-site use as well as service and maintenance purposes.

■ Piston/cylinder measuring system

Pressure is defined as a quotient of force and area. Correspondingly, the core of the CPB 5000 is a very precisely manufactured piston/cylinder system. Both the piston and cylinder are manufactured from Tungsten Carbide and are very well protected in a solid stainless steel housing against touching, impacts or contamination from outside.

As a standard the connection of the piston/cylinder system is a M30 x 2 male thread. The patented ConTect quick connector is available as an option. It allows a quick and safe change of the measuring range without the need for tools. Thus it is possible to set up a compact complete system at a favourable price, consisting of an universal instrument base and up to 3 ConTect piston/cylinder systems with different measuring ranges with only one weight set.

The pneumatic piston/cylinder systems are available for vacuum and pressure ranges from 2 bar up to 100 bar resp. 30 psi up to 1500 psi and the hydraulic systems are available for pressure ranges from 60 bar up to 1000 bar resp. 1000 psi up to 14500 psi. The accuracy is 0.015 % (optional also 0.008 %) of reading.

The entire construction design of the piston/cylinder unit and the very precise manufacturing of the piston and the cylinder stand for excellent operating characteristics with a long free rotation time and low fall rates and for a very high long term stability. Therefore the recommended re-calibration interval is 5 years.

■ Functioning

Depending on the measuring range of the device under test you can fit the instrument basement with the corresponding system. In order to generate the individual test points, the piston cylinder system is weighted with mass-loads. The weight applied is proportional to the desired pressure and provided by using optimally graduated weights. These weights are manufactured to standard gravity (9.80665 m/s²) although for fixed location usage they can be adjusted to a customer specified local gravity.

Depending on the instrument version the pressure is set either via an integrated pump or via external pressure supply by the use of control valves. For fine adjustment an adjustable volume with precision spindle is available. As soon as the measuring system reaches equilibrium, there is a balance of forces between pressure and wheel weights.

Due to the high-grade quality of the system this pressure remains stable over several minutes, so that for instance adjustments of your device under test can be carried out without any problems.

2.2 Basic principle of the Pressure Balance

Their operating principle is based on the physical definition of pressure, the quotient of force and surface.

$$Pr\ essure = \frac{Force}{Area}$$

The key element of the pressure balance is a precision-manufactured piston/cylinder system with a precisely measured cross-sectional surface.

To apply a pressure charge to the system, the piston is placed under a load with (calibrated) weight pieces.

Each holding disk from the set of weights is identified by a nominal weight, which generates a pressure value in the system (assuming standard reference conditions). Each weight has a number and in the calibration certificate there is described the mass value to each weight with its resultant pressure value. The weights are chosen according to the desired pressure value.

After that, the integrated spindle pump increases the pressure until the weights are in a floating state.

2.3 Factors at work

The piston pressure gauge is calibrated to standard reference conditions when it leaves the factory (depending on customer specifications).

If there are significant deviations between the application conditions and the defined reference conditions, appropriate corrections must be made.

Following are the main factors that enter into play and must be considered.



These corrections can be made automatically with the CalibratorUnit CPU 5000 (see accessories point 8)!

2.3.1 Local fluctuations in the gravity-value

The local force of gravitation is subject to major fluctuations caused by geographical variation.

The value may differ from one place on earth to another by as much as 0.5 %. Since this value has a direct effect on the measurement, it is essential that it be taken into consideration.

The weight pieces can even be adjusted during manufacturing to match the location where they will be used. Another option, especially if the device will be used at multiple locations, is to perform a calibration to the standard gravity,

"Standard-g = 9.80665 m/s²".

Then a correction must be performed for each measurement according to the formula below:

$$True\ pressure = Nominal\ value \cdot \frac{g - Application\ site}{Standard - g}$$

Example:

Local gravity set during manufacturing:	9.806650 m/s ²
Locale gravity at application site:	9.811053 m/s ²

Nominal pressure: 100 bar

$$True\ pressure: p = p_{Nominal} \frac{g_{Local}}{g_{Standard}} = 100bar \frac{9.81105}{9.80665} = 100.0449bar$$

Without the correction, measurements would all be "off" by 0.05 %.

2.3.2 Temperature (Piston/Cylinder)

The effective cross-sectional surface of the piston/cylinder system depends on the temperature. The effect depends on the material used and is described by the temperature coefficient (TK).

In the event of deviations from standard reference conditions (typically 20°C), the following formula must be used to make a correction:

$$\text{True pressure} = \text{Nominal value} \cdot \frac{1}{\left(1 + (t_{\text{Appl}} - t_{\text{Reference}}) \cdot TK\right)}$$

Example:

Reference temperature: 20°C
Temperature during use: 23°C
TK: 0.0022%

$$\text{True pressure} = 100\text{bar} \cdot \frac{1}{\left(1 + (23 - 20) \cdot 2.2 \cdot 10^{-5}\right)} = 99.99340\text{bar}$$

Without the correction, measurements would all be "off" by 0.007 %.

2.3.3 Ambient conditions

The effects of ambient conditions

- air pressure
- room temperature
- relative humidity

should always be taken into consideration if the highest level of accuracy is required. Fluctuations in ambient conditions change air density.

The air density affects the pressure through the buoyancy of the weights:

$$\text{Weight} = \text{Nominal weight} \cdot \left(1 - \frac{\text{Air density}}{\text{Weight density}}\right)$$

The air density is typically 1.2 kg/m³
The density of the weights (non-magnetic steel) is 7900 kg/m³

A fluctuation of 5% in the relative humidity causes an additional uncertainty in the measurement of about 0.001%.

2.3.4 How the cross-sectional surface responds to pressure

At higher pressures, the effective cross-sectional surface changes due to the pressure load. The ratio of the cross-section and prevailing pressure is linear within an initial approximation. It is represented by the coefficient of expansion caused by pressure distortion (λ).

$$\text{True pressure} = \frac{\text{Nominal pressure}}{1 + \lambda \cdot \text{Nominal pressure}}$$

Example:

Measuring point: 1000 bar

System with distortion coefficient: 10^{-7} 1/bar:

$$\text{True pressure} = \frac{1000}{1 + 1 \cdot 10^{-7} \cdot 1000} \text{bar} = 999.90 \text{bar}$$

Without the correction, measurements would all be "off" by 0.01 %.

2.4 Arrangement of control elements

The CPB 5000 instrument bases are available in the 4 following versions, which vary in the arrangement of the control elements:

■ **Pneumatic low-pressure base**

- up to max 10 bar / 150 psi
- with integrated pressure generation via initial pressure pump and spindle pump
- tubing made of flexible hose (polyurethane), 6 x 1 mm

■ **Pneumatic high-pressure / vacuum base**

- up to max 100 bar / 1,500 psi
- for external pressure or vacuum connection
- tubing made of stainless steel (1.4571), 3 x 1 mm

■ **Pneumatic base with integrated gas to oil separator**

- up to max. 400 bar / 5000 psi
- for external pressure connection
- for the use with hydraulic piston cylinder systems with M30 x 2 connection
- test item can be calibrated easily, dryly and cleanly with air
- tubing made of stainless steel (1.4571), 3 x 1 mm

■ **Hydraulic base**

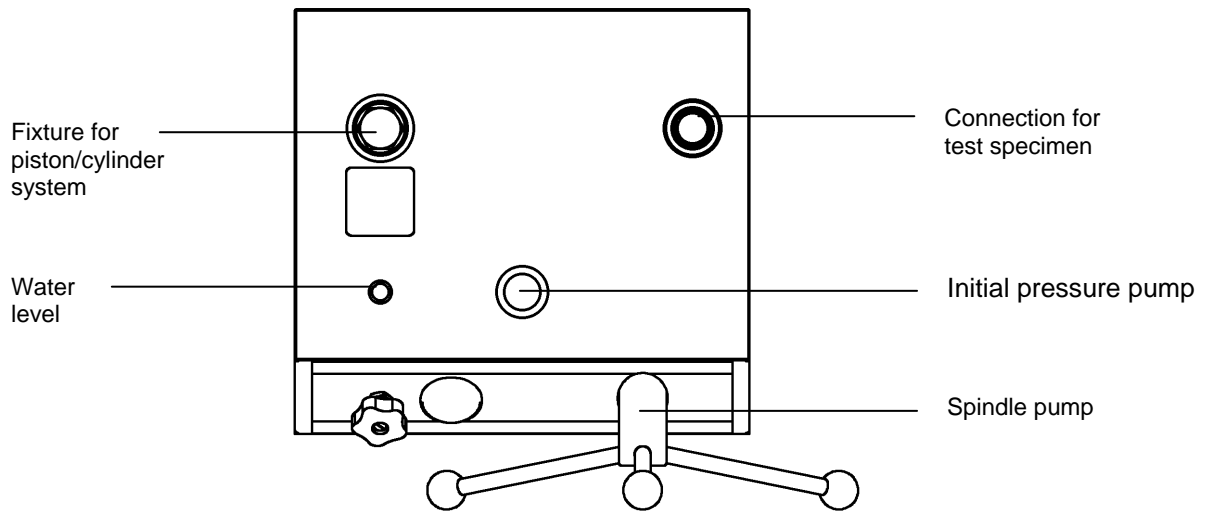
- up to max 1,000 bar / 14,500 psi
- with integrated pressure generation via initial pressure pump and spindle pump
- tubing made of stainless steel (1.4404), 6 x 2 mm
- up to 1200 bar / 17400 psi available as special version

As a standard all instrument bases are equipped with a M30 x 2 female thread as connection for the piston/cylinder system.

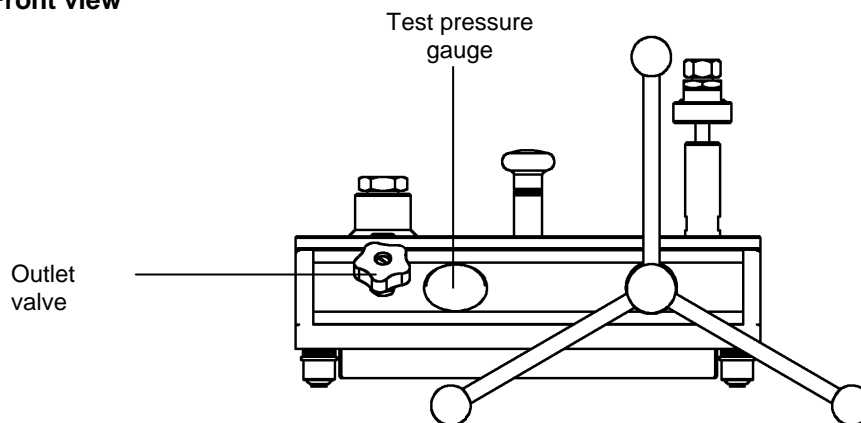
The patented ConTect quick connector can be installed as an option allowing a quick and safe change of the measuring range without the need for tools (not available for the version with integrated gas to oil separator).

2.4.1 Pneumatic low-pressure base

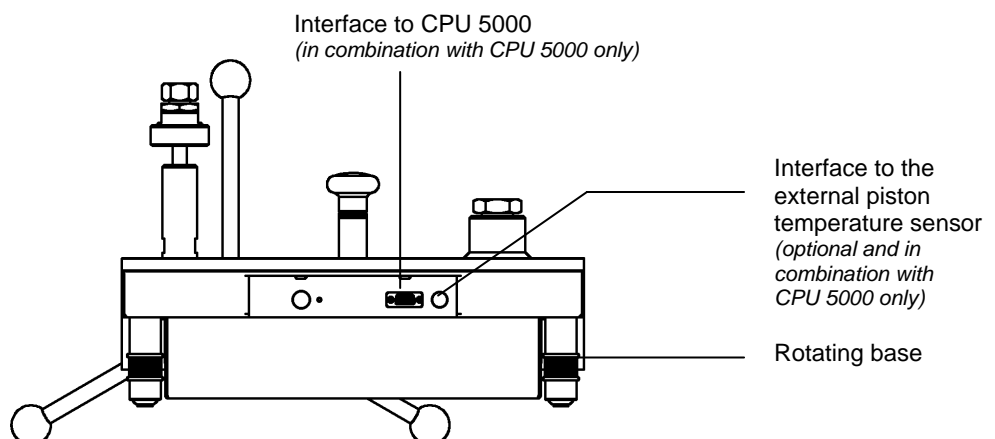
■ View from above



■ Front view



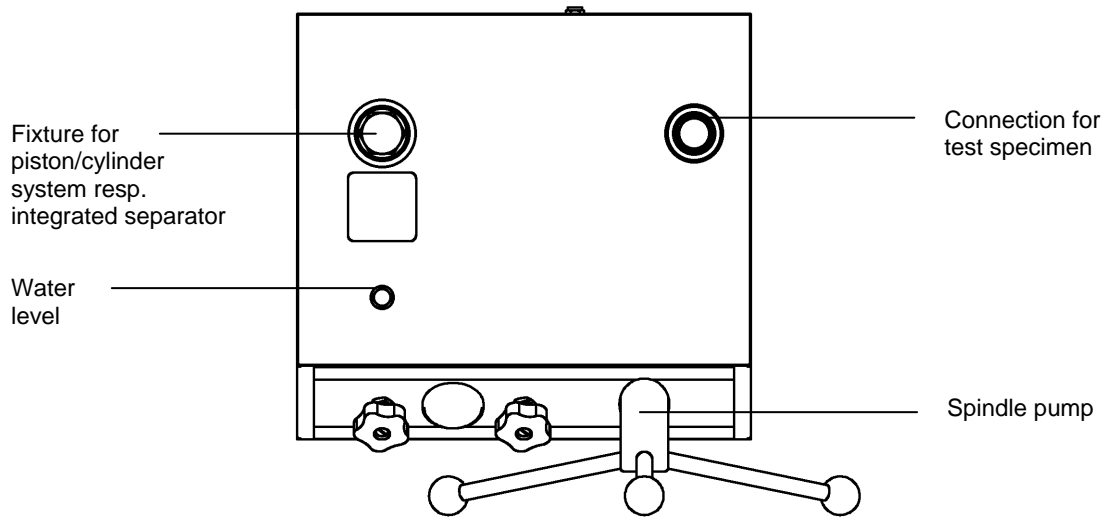
■ Rear view



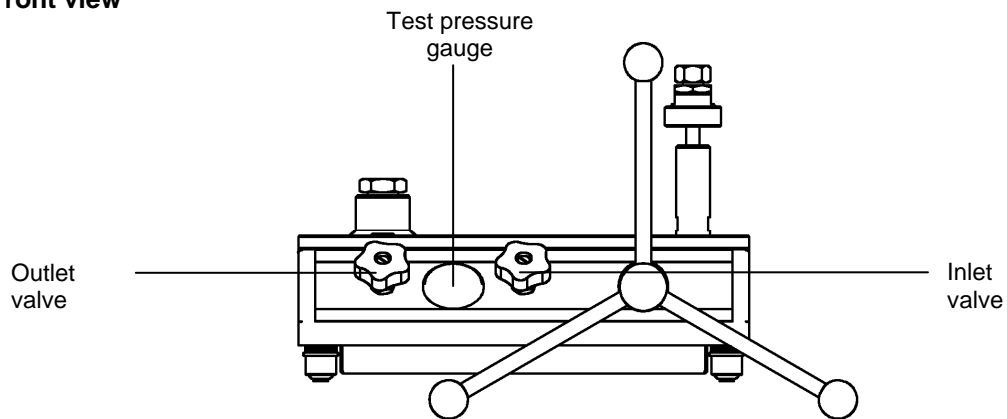
2.4.2 Pneumatic high-pressure / vacuum base

(also valid for version with integrated gas to oil separator)

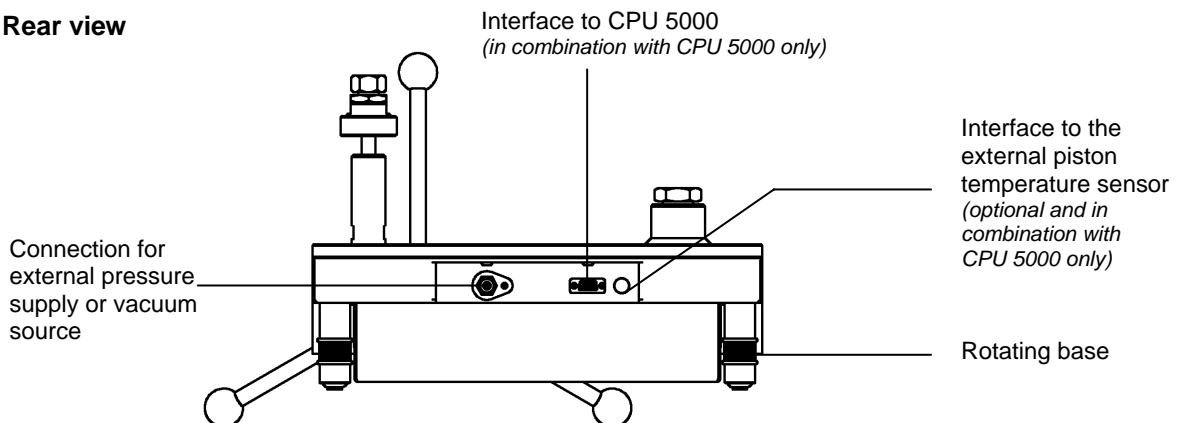
■ View from above



■ Front view

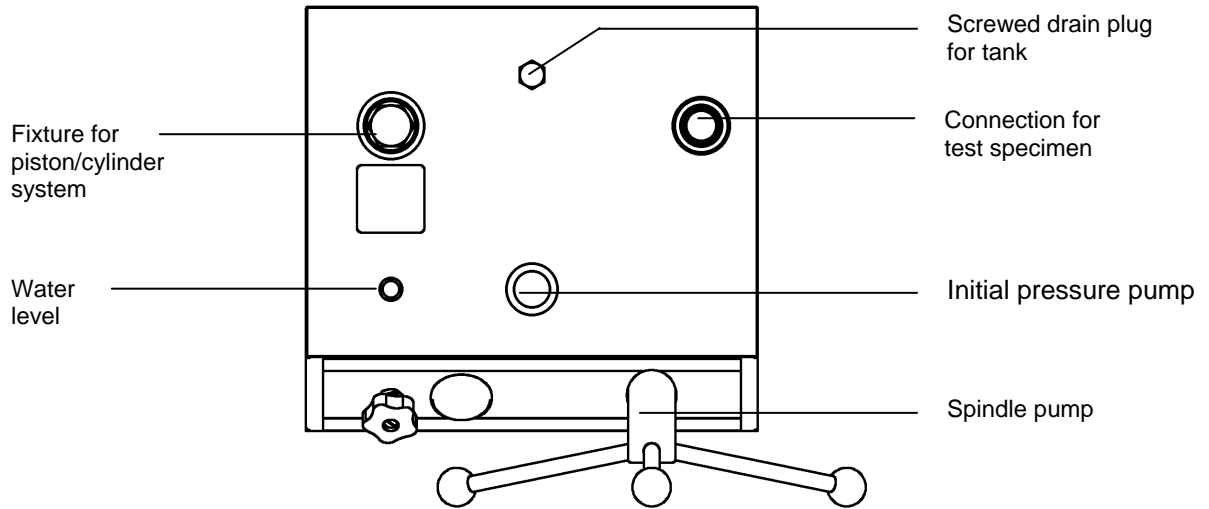


■ Rear view

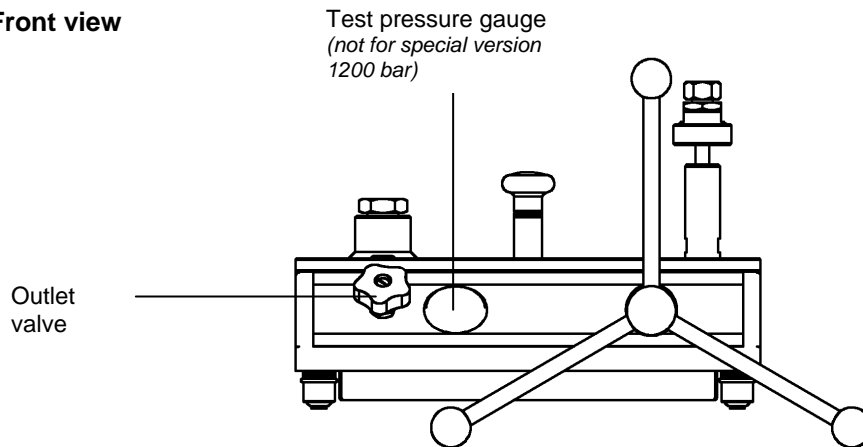


2.4.3 Hydraulic base

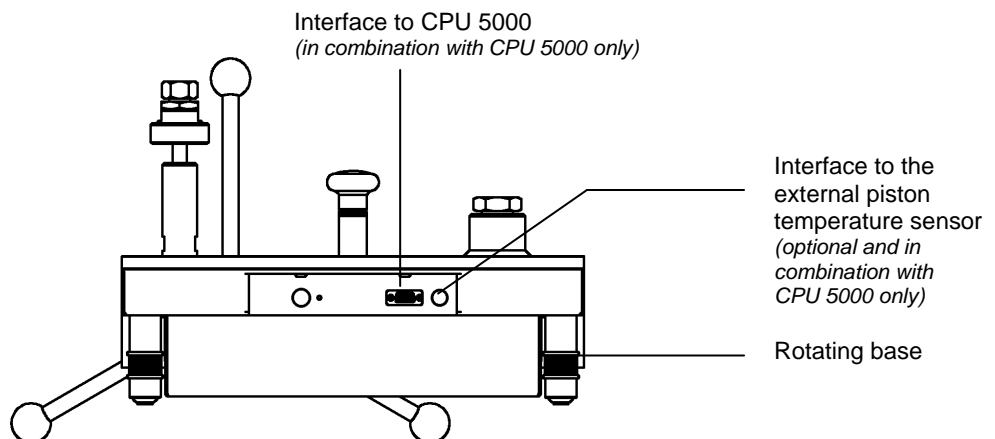
■ View from above



■ Front view



■ Rear view



3. Commissioning and Operation

3.1 Preparation

3.1.1 Setting up the Device

- Set up the pressure balance on a solid surface. If it is not resting on a solid foundation or is subject to vibrations, measurements could be affected. This should be avoided.
- If no temperature control system is present, the device should at least not be placed near a heat element or window. This will reduce drafts and warm air flows as much as possible.
- The water level should be used to align the device. At this time, rough alignment can already be performed without the piston/cylinder system. Using the rotating feed, position the device so that it is horizontal.
- Place the star handle with knobs onto the spindle pump. Ensure that the spring-loaded thrust pad engages into the star handle bushing.
- We recommend unscrewing the spindle pump completely when you start to record measurement values, (turning anticlockwise) to allow enough volume for measurements. The outlet valve must be opened during this process.

3.1.1.1 Instructions for pneumatic high-pressure / vacuum version

- In the **pneumatic high-pressure / vacuum version**, an external compressed air supply or a vacuum source has to be connected.
The pressure connection is specified as SWAGELOK® pipe connection with an outside pipe diameter of 6 mm at the back of the instrument base.



Attention: The maximum supply pressure must not exceed 110% of the range of the device to be tested or piston/cylinder system in use. The maximum permissible pressure is 110 bar!

The tubing is to be carried out by a fitter trained in SWAGELOK® -connections according to SWAGELOK® -tubing instructions.

- Only dry, cleaned and particle-free gases (for example nitrogen 4.0 or synthetic air) may be used.

3.1.1.2 Instructions for pneumatic version with integrated gas to oil separator

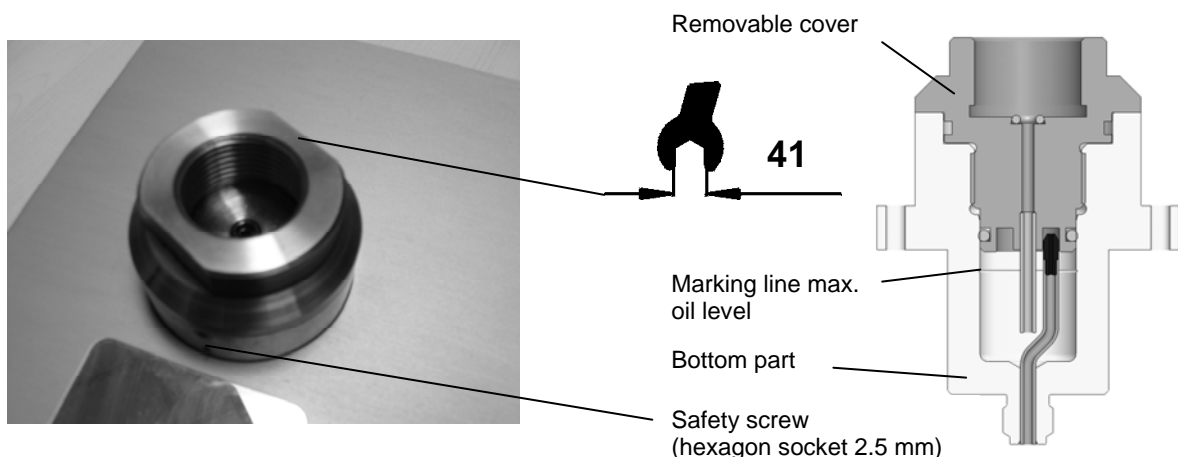
- In the **pneumatic version with integrated gas to oil separator**, an external compressed air supply has to be connected.
The pressure connection is specified as SWAGELOK® pipe connection with an outside pipe diameter of 6 mm at the back of the instrument base.



Attention: The maximum supply pressure must not exceed 110% of the range of the device to be tested or piston/cylinder system in use. The maximum permissible pressure is 440 bar!

The tubing is to be carried out by a fitter trained in SWAGELOK® -connections according to SWAGELOK® -tubing instructions.

- Only dry, cleaned and particle-free gases (for example nitrogen 4.0 or synthetic air) may be used.
- The integrated separator at the fixture for the piston/cylinder system may need to be filled, or refilled with oil. For this purpose the removable cover of the piston fixture must be opened. First of all the lateral safety screw must be unscrewed by the help of a hexagon socket wrench size 2.5 mm. Afterwards the removable cover has to be opened using a flat wrench size 41. Special oil must be used for refilling (0.25 litre supplied, or available as accessory). During filling look to it, that no oil gets into the upwards facing tubing. The oil level must not exceed the marking line.



- After filling screw the removable cover of the separator carefully and slowly into the bottom part. Tighten the cover firmly with the flat wrench and screw the lateral safety screw in again. After this the piston/cylinder system can be installed. For this purpose, please proceed according to section 3.1.2.4.

3.1.1.3 Instructions for hydraulic version

- The oil container may need to be filled, or refilled in the **hydraulic design** (volume 250 ml). For this purpose, the locking screw with the oil filling symbol on top of the basement must be opened. Special oil must be used for refilling (1 litre supplied, or available as accessory). The system must be vented before initial filling, or after a complete oil change. For this purpose, please proceed according to section 5.3.3.
- The protection film on the screwed drain plug of the oil container need to be removed before operating in the **hydraulic design** (coverage of the ventilation hole during transportation).

3.1.2 Installing the ConTect System

- The ConTect system that is used depends on the device to be tested. You should select a system with a comparable or higher range.

Example:

Calibration of a 600-bar pressure gauge → 600 bar ConTect system

Calibration of a 160-bar pressure gauge → 250 bar ConTect system

- The connection for the piston/cylinder system in the instrument base is available in 2 different versions:
 - Connection for piston/cylinder system with M30 x 2 female thread (see section 3.1.2.1)
 - Connection for piston/cylinder system with ConTect quick connector (see section 3.1.2.2)
- For vacuum operation a special piston/cylinder system and a special set of masses is required. The installation of the vacuum piston/cylinder system is described in section 3.1.2.3.

3.1.2.1 Connection for piston/cylinder system with M30 x 2 female thread



Before releasing the closure plug on the bottom of the device, make sure the system is not under pressure (open the outlet valve).

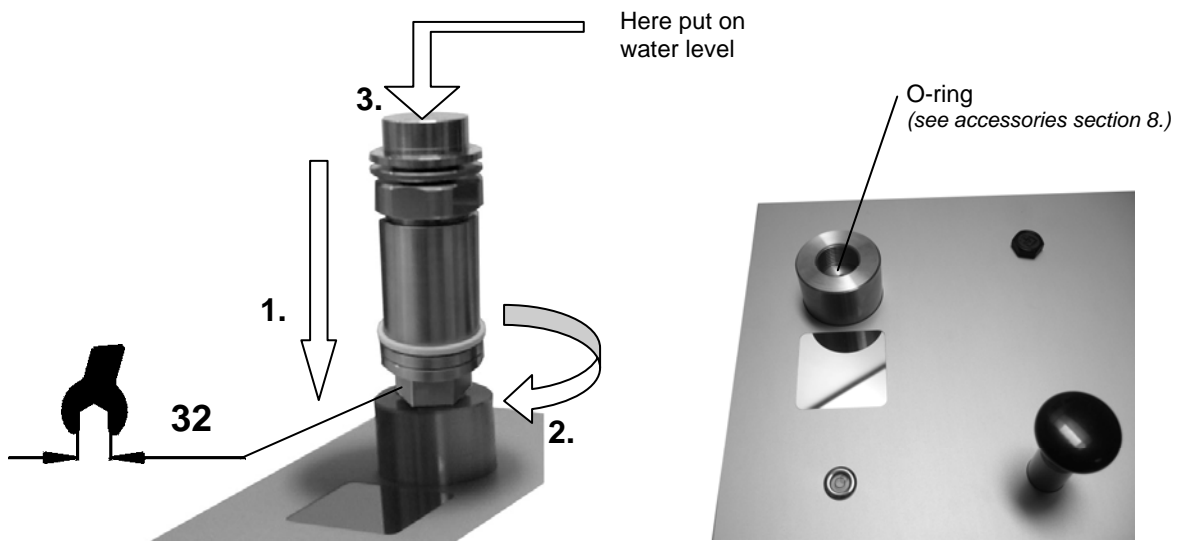
- The piston/cylinder system is inserted vertically into the thread of the piston receptacle, and firmly tightened using a flat wrench with SW 32. An O-ring seal is already fitted, so no additional sealing material is required.



Note: Do not mix up the air and oil systems

Check the O-ring seal in the receptacle for the piston/cylinder system for proper seat and for any wear. Replace, if necessary.

- For an exact alignment of the device, the water level may be removed from the basement plate and placed on the top of the clamped piston/cylinder system. This will ensure the most accurate referencing of the piston/cylinder system.



3.1.2.2 Connection for piston/cylinder system with ConTect quick connector



Before releasing the closure plug on the bottom of the device, make sure the system is not under pressure (open the outlet valve).

- Place the ConTect system vertically in the quick connector.

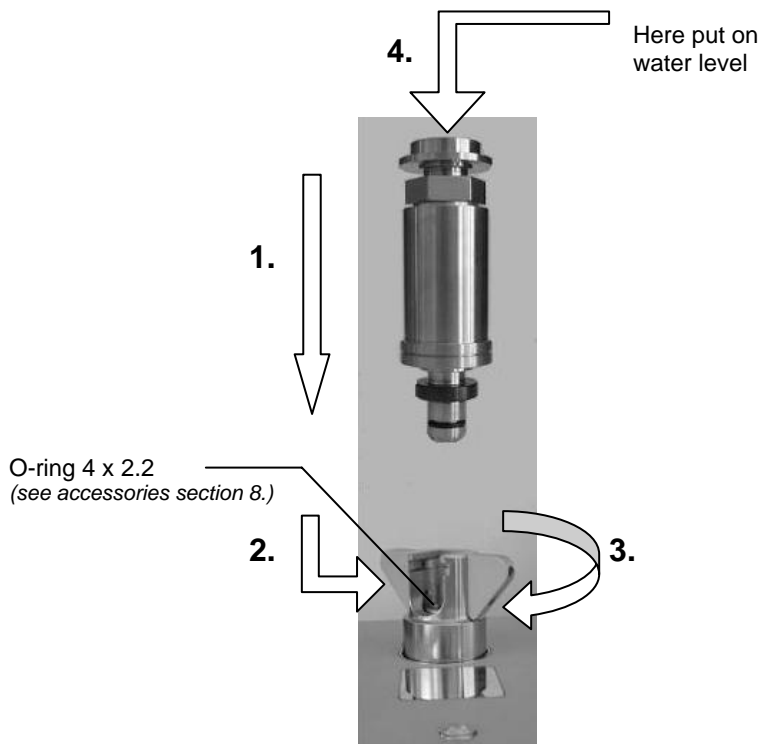


Note: Do not mix up the air and oil systems



Check the O-ring seal in the receptacle for the ConTect system for proper seat and for any wear. Replace, if necessary.

- Turning the butterfly screw about one and a half turn clockwise (as far as it will go) is enough to screw the in place with an automatic seal (finger-tight).
- For an exact alignment of the device, the water level may be removed from the basement plate and placed on the top of the clamped piston/cylinder system. This will ensure the most accurate referencing of the piston/cylinder system.

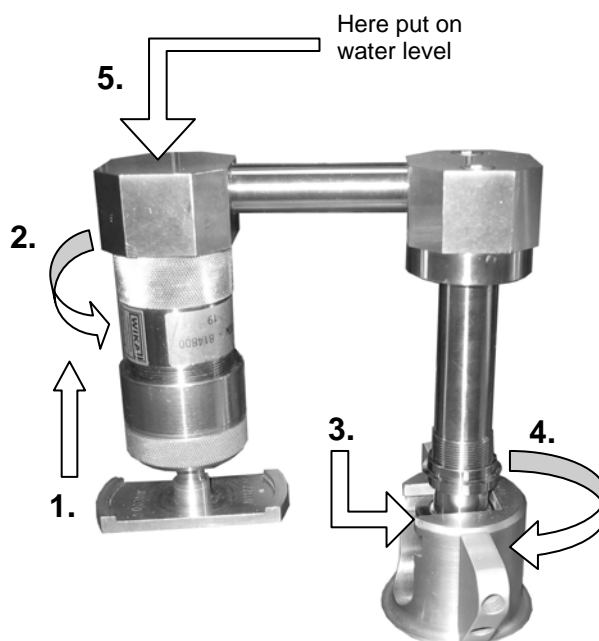


3.1.2.3 Vacuum piston/cylinder system



The vacuum piston/cylinder system can only be installed into a connection for piston/cylinder systems with ConTect quick connector.

- Screw the piston/cylinder system into the holding traverse. Hand-tightening will suffice for safe sealing.
(step 1 and 2)
- Place the holding traverse with piston/cylinder system vertically in the quick connector.
(step 3)
- Turning the butterfly screw about one and a half turn clockwise (as far as it will go) is enough to screw the system in place with an automatic seal (finger-tight).
(step 4)
- For an exact alignment of the device, the water level may be removed from the basement plate and placed on the top of the clamped piston/cylinder system. This will ensure the most accurate referencing of the piston/cylinder system.
(step 5)



3.1.2.4 Connection for piston/cylinder system with integrated separator, M30 x 2 female thread



Before releasing the closure plug on the fixture for piston/cylinder system, make sure the system is not under pressure (open the outlet valve).

- Before installing the piston/cylinder system the separator must be vented. For this purpose the external pressure supply is admitted by opening and closing the integrated fine adjustment valve (inlet valve) carefully. Pressure is admitted as long as the oil reaches the O-ring sealing inside the opened piston fixture. For this the outlet valve must be closed and a blind plug must be mounted into the connection for test specimen.



For the venting procedure it makes sense to adjust the external pressure supply to a very low pressure value. Hence with the inlet valve can be charged as carefully and smoothly as possible.

Before venting the oil level inside the separator may need to be checked and filled up, if necessary. For this purpose, please proceed according to section 3.1.1.2.

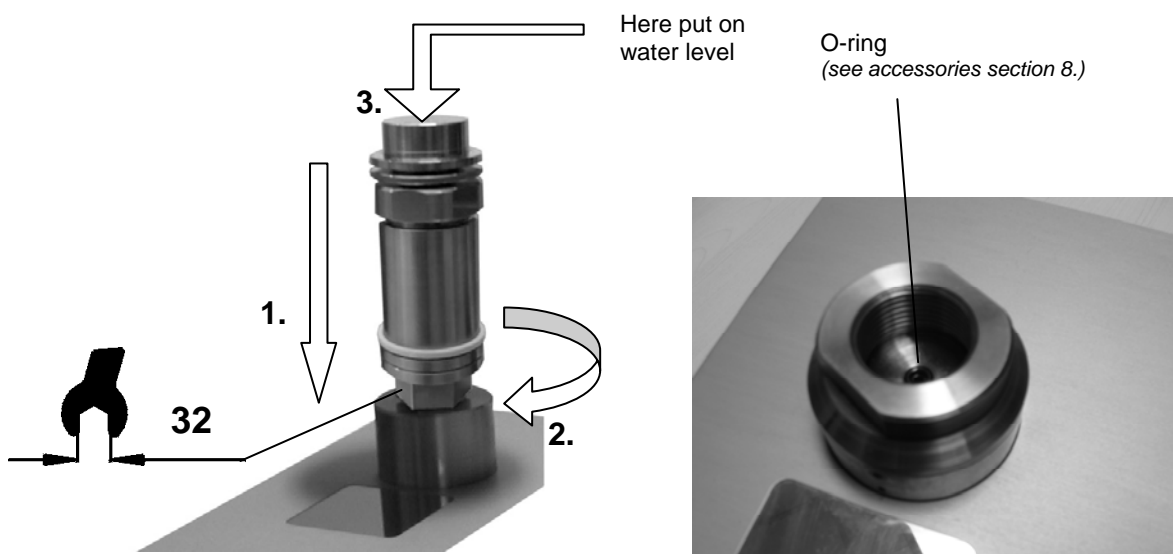
- Afterwards the piston/cylinder system is inserted vertically into the thread of the piston receptacle, and firmly tightened using a flat wrench with SW 32. An O-ring seal is already fitted, so no additional sealing material is required.



Note: Only hydraulic piston/cylinder systems must be used.

Check the O-ring seal in the receptacle for the piston/cylinder system for proper seat and for any wear. Replace, if necessary.

- For an exact alignment of the device, the water level may be removed from the basement plate and placed on the top of the clamped piston/cylinder system. This will ensure the most accurate referencing of the piston/cylinder system.



3.1.3 Connecting the test specimen

- Place the device to be checked in the quick connector with the knurled nut. It can be freely positioned. Hand-tightening will suffice for safe sealing.
- To calibrate instruments with back pressure entry there is an angle connection 90° available (see accessories section 8).

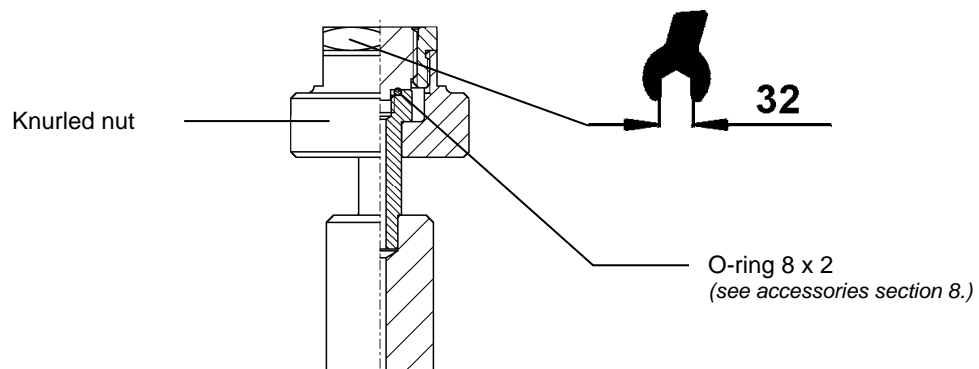


Check the O-ring seal in the test specimen connection for proper seat and for any wear. Replace, if necessary. Please see to it, that each instrument mounted to the pressure balance must be clean inside.

- The quick connector comes equipped with a G 1/2 threaded insert in the standard delivery package.



When you are calibrating devices with different connection threads, the threaded inserts can be changed as appropriate (see accessories "Adapter Set").



3.1.4 Venting the System (Hydraulic Design only)

After the clamping of the ConTect system and the test specimen, air may be trapped in the system. The system may be vented before beginning with calibration using the following procedure:

- The ConTect system and test specimen must be clamped, and the complete weight set must be placed on the piston/cylinder system.
- Generate a pressure of approximately 50 bar using the initial pressure pump
- Increase the pressure with the spindle pump until just below the final value of the value range of the ConTect system, or of the test specimen (the smaller pressure range is the decisive factor).



Important: The piston/cylinder system must remain in its lower position for this operation, i.e. not yet moving into equilibrium.

- Open the outlet valve, any trapped air will escape into the tank

This procedure may need to be repeated 1 to 2 times in order to remove all trapped air.

The device is now ready to use.

3.2 Operation

3.2.1 Weight Pieces

- Stack the weight pieces onto the bell depending on the pressure value that is required.
- It is usually best to start with the heaviest weight so that the centre of gravity is as low as possible.
- Each component is identified by a consecutive number. In the calibration certificate to each number the resultant pressure assuming reference conditions is listed.

Example table from a calibration certificate page 2:

Druckwerte der Gewichtsstücke / Pressure values of masses

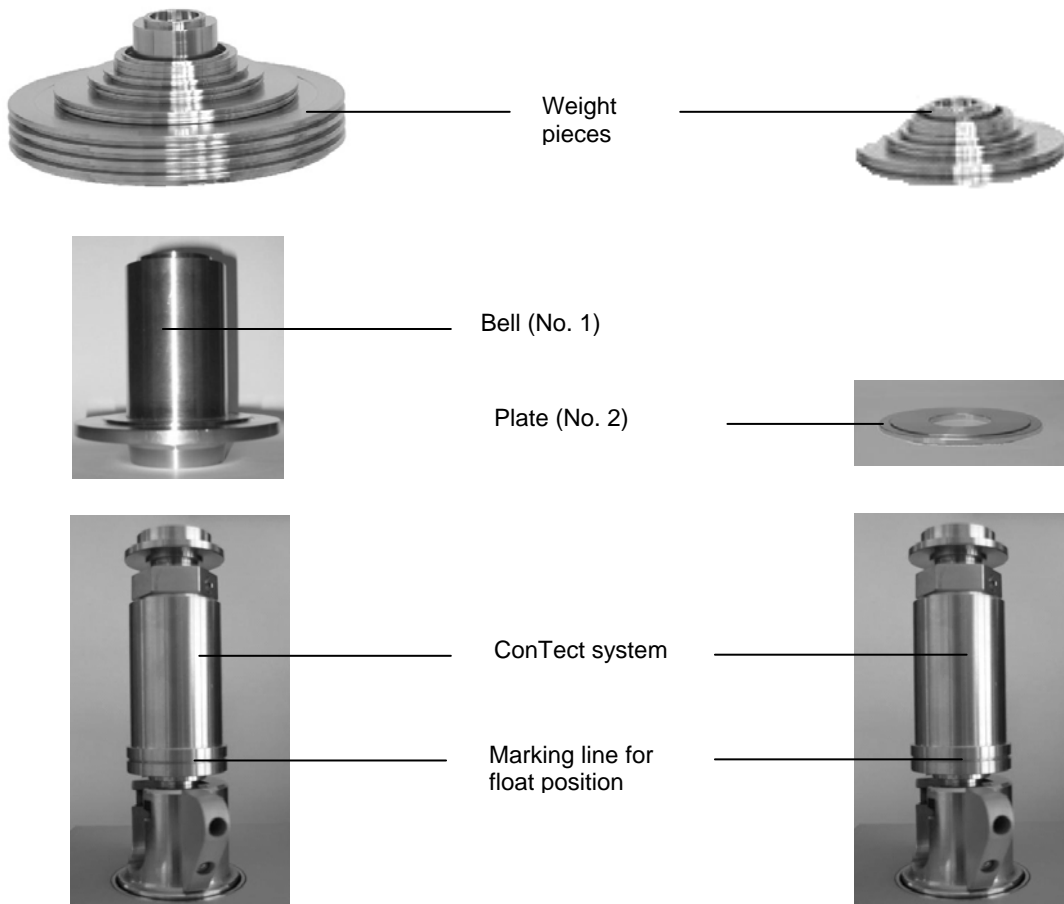
Bezeichnung des Gewichtsstückes <i>type of weight piece</i>	Nr. <i>no.</i>	wahre Masse <i>true mass</i> in kg	Druckwert für System <i>pressure value</i> for system in bar
Kolben / <i>piston</i>	1262	0.08160	0.4002
Glocke / <i>bell</i>	1	0.81560	3.9998
Teller / <i>plate</i>	2	0.05097	0.2499
Masse / <i>weight piece</i>	3	1.01954	5.0000
Masse / <i>weight piece</i>	4	1.01954	5.0000
Masse / <i>weight piece</i>	5	1.01954	5.0000
Masse / <i>weight piece</i>	6	1.01954	5.0000
Masse / <i>weight piece</i>	7	1.01954	5.0000
Masse / <i>weight piece</i>	8	1.01954	5.0000
Masse / <i>weight piece</i>	9	1.01954	5.0000
Masse / <i>weight piece</i>	10	1.01953	5.0000
Masse / <i>weight piece</i>	11	1.01952	4.9999
Masse / <i>weight piece</i>	12	0.50976	2.5000
Masse / <i>weight piece</i>	13	0.20391	1.0000
Masse / <i>weight piece</i>	14	0.20391	1.0000
Masse / <i>weight piece</i>	15	0.12234	0.6000
Masse / <i>weight piece</i>	16	0.10196	0.5000
Masse / <i>weight piece</i>	17	0.07137	0.3500
Masse / <i>weight piece</i>	18	0.05098	0.2500

Example: weight piece no. 5 generates a pressure value of 5.0000 bar with its weight value of 1.01954 kg assuming reference conditions (room temperature 20°C, air pressure 1013 mbar, relative humidity 40 %)

- The pressure that will be achieved thus corresponds to the sum of the basic weight (piston), the bell and the weight rings.
- To reduce the starting value, the weight plate (No. 2) can be used as the basic holding surface instead of the bell (No. 1).

Weight pieces with bell

Weight pieces with plate



3.2.2.1 Approaching the pressure value – hydraulic base

- In hydraulic systems, the system must first be filled with oil and pre-compressed.
- For this the outlet valve must be closed.
- Then run the initial pressure pump for several strokes. The pressure increases to a maximum of about 50 bar (depending on the volume of the connected test specimen).
- After that, increase the pressure by turning the built-in spindle pump clockwise.

3.2.2.2 Approaching the pressure value – pneumatic low-pressure base

- The built-in initial pressure pump is used to generate pressures up to 10 bar (depending on the volume of the connected test specimen).
- For this the outlet valve must be closed.
- The spindle pump can be used to make a fine adjustment close to the pressure value.



The maximum permissible pressure for the pneumatic low-pressure version is 10 bar. Higher pressures may damage the instrument. The piston/cylinder system, test specimen and any connecting tubes that are used must not be subjected to pressures above the maximum permissible level.

3.2.2.3 Approaching the pressure value – pneumatic high-pressure / vacuum base

- An external compressed air supply has to be connected in the back of the instrument.
- The external pressure supply can be admitted by opening and closing the integrated fine adjustment valve (inlet valve) slightly.
- For this the outlet valve must be closed.
- The spindle pump can be used to make a fine adjustment close to the pressure value.
- For vacuum operation see section 3.2.5.



The maximum permissible pressure for the pneumatic high-pressure / vacuum version is 100 bar. Higher pressures may damage the instrument. The piston/cylinder system, test specimen and any connecting tubes that are used must not be subjected to pressures above the maximum permissible level.

3.2.2.4 Approaching the pressure value – pneumatic version with separator

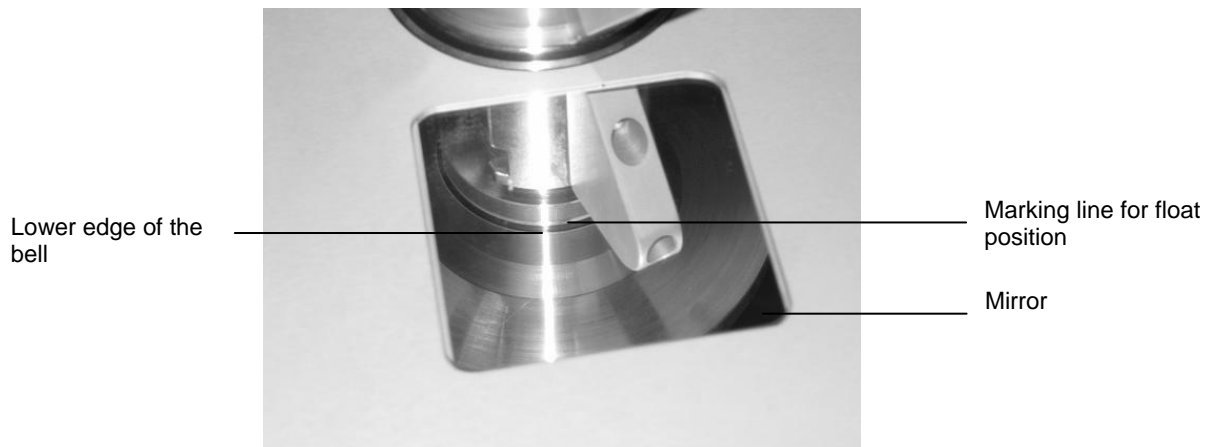
- An external compressed air supply has to be connected in the back of the instrument.
- The external pressure supply can be admitted by opening and closing the integrated fine adjustment valve (inlet valve) slightly.
- For this the outlet valve must be closed.
- The pressurization with air causes the displacement of the oil inside the separator upwards into the piston/cylinder system.
- The spindle pump can be used to make a fine adjustment close to the pressure value.



The maximum permissible pressure for the pneumatic version with separator is 400 bar. Higher pressures may damage the instrument. The piston/cylinder system, test specimen and any connecting tubes that are used must not be subjected to pressures above the maximum permissible level.

3.2.3 Pressure stable

- Continue admitting pressure until the system is in a state of equilibrium.
- This state is easy to identify with the aid of the level indicator and mirror. In this case the lower edge of the bell must stay at the position of the marking line of the piston/cylinder system.





Just before the float position, the system increases quickly. We therefore recommend turning the spindle slowly and evenly clockwise.

- To minimise the effect of friction, move the system up against the weight pieces carefully and make a turning movement.



Never move the system up and make a turning movement, if the piston is in the lower or upper block position.

- The piston and thus the test pressure as well now remain stable for several minutes.

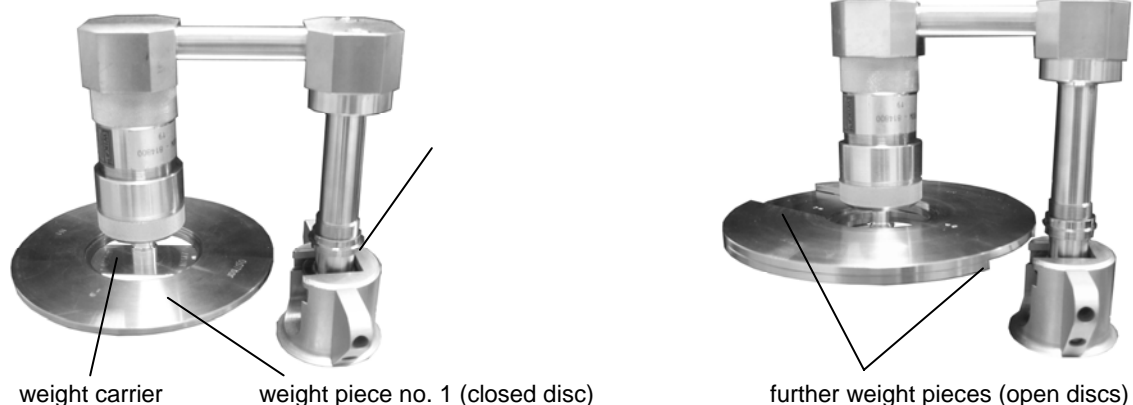
3.2.4 Next pressure level

- To adjust to the next highest pressure, repeat the previous steps from 3.2.1 to 3.2.3

3.2.5 Vacuum operation

For generating vacuum the use of an external vacuum source is necessary. It must be connected to the back of the instrument. The external vacuum can be admitted resp. deflated via the integrated fine adjustment valves for inlet and outlet. The spindle pump can be used to make the fine adjustment.

3.2.5.1 Weight pieces for vacuum



- In each case weight piece no. 1 (closed disc) must be put on the weight carrier first. The centring collar of the disc should face downwards.
- Stack the further weight pieces onto no. 1 depending on the pressure value that is required. Please see to it, that the weight pieces are stacked on top of each other in such a way, that the open sections of the discs are always staggered around 180°, this means oppositely positioned.

3.2.5.2 Approaching the vacuum values

- A vacuum source must be connected to the back of the instrument.
- We recommend screwing in the spindle pump before starting to record measurement values, (turning clockwise) to allow enough volume for measurements. The outlet valve must be opened during this process.
- The system can be evacuated with the external vacuum pump via the integrated fine adjustment valve (inlet valve).
- For this the outlet valve must be closed.
- The spindle pump can be used to make a fine adjustment close to the pressure value.

3.2.5.3 Vacuum stable

- Continue evacuation until the system is in a state of equilibrium.
- The adjustable ring at the holding traverse of the piston/cylinder system acts as an orientation tool for the float position (= half of piston stroke). For example in the float position it can be adjusted to the level of a lower or upper edge of a weight piece.



Just before the float position, the system increases quickly. We therefore recommend turning the spindle slowly and evenly anticlockwise.

- To minimise the effect of friction, move the system up against the weight pieces carefully and make a turning movement.



Never move the system up and make a turning movement, if the piston is in the lower or upper block position.

- The piston and thus the test pressure as well now remain stable for several minutes.

3.2.5.4 Next vacuum level

- To adjust to the next highest vacuum value, repeat the previous steps from 3.2.5.2 to 3.2.5.3

3.2.6 Releasing pressure – hydraulic , pneumatic and vacuum

- Turn the spindle pump anticlockwise to release pressure in the system. During vacuum operation turn clockwise.
- If the pressure is close to the next test level, make the fine adjustment with the spindle wheel.
- To release pressure more quickly or for venting, the fine adjustment valve (outlet valve) can also be carefully opened.



Attention: In this case the piston must stay in the lower position!



**Caution:
The piston is lowered very quickly just before equilibrium is achieved.**



Caution:
Do not remove masses completely from the piston/cylinder system under pressure.

- Look to it, that in the **pneumatic version with integrated gas to oil separator** the pressure is released only very slowly. Hence turbulences of oil inside the separator and a flowing back of the oil into the pressure pipe are avoided.

3.3 Disassembly

- After all pressure points have been recorded, close the inlet valve and open the outlet valve.
- Now the test specimen can be removed from the quick clamp and all masses can be removed from the piston/cylinder system.
- If there is another test specimen with the same measurement range, the piston/cylinder system can stay clamped in place.
- Otherwise, we recommend removing the system and then storing it in its protective container.



Do not disconnect the test specimen or the piston/cylinder system until the pressure in the pressure balance has been completely released.

- In order to remove the star handle from the spindle pump, the spring-loaded thrust pad must be pressed downward with the aid of a small screwdriver, or a ball-point pen. The star handle may now be pulled off toward the front.

Spring-loaded thrust pad



- For transportation of the **pneumatic version with integrated gas to oil separator** the oil should be removed from the separator free of residues, see section 3.1.1.2.

4. Troubleshooting measures



If faults cannot be repaired, the system must be put out of operation immediately and this information is to be given to the manufacturer.

Repairs must only be carried out by the manufacturer. Interventions and changes on the appliance are not allowed.

In case of faults caused by defects of the pneumatic/hydraulic equipment the operators must inform their superiors immediately and call in the qualified and authorised technical staff for maintenance.

Table: Fault description and measures

Type of fault	Measures
I. Unable to build up pressure / leak in the system	<ul style="list-style-type: none"> ■ Close outlet valve correctly ■ Attention: Do not tighten the fine adjustment valves more than finger tight. Otherwise the valve seat could be damaged. ■ Check whether the seals have been placed in the clamp for the piston/cylinder system and test specimen and whether they are properly positioned.
II. Unable to build up pressure, or range cannot be reached (with hydraulic design only)	<ul style="list-style-type: none"> ■ After the clamping of the piston/cylinder system and the test specimen, air may be trapped in the system. ■ Please note: The system should be vented before beginning with calibration. For this purpose, proceed according to section 3.1.4. ■ Afterwards, build the pressure back up.
III. Slow lowering of the piston in equilibrium	<ul style="list-style-type: none"> ■ Leak in the system, see fault I. ■ After the clamping of the piston/cylinder system and the test specimen, air may be trapped in the system (hydraulic design only), see point II. ■ Afterwards, build the pressure back up.
IV. Piston is not turning or does not respond readily	<ul style="list-style-type: none"> ■ Attention: If the piston is not turning easily or "squeaks", do not under any circumstances force it to turn. Doing so could cause lasting damage that would seriously affect measurement properties. ■ The piston must be cleaned (see section 5.1.1)

Further help can be found through WIKA's Calibration Technology Department.

5. Maintenance and Care

5.1 Cleaning

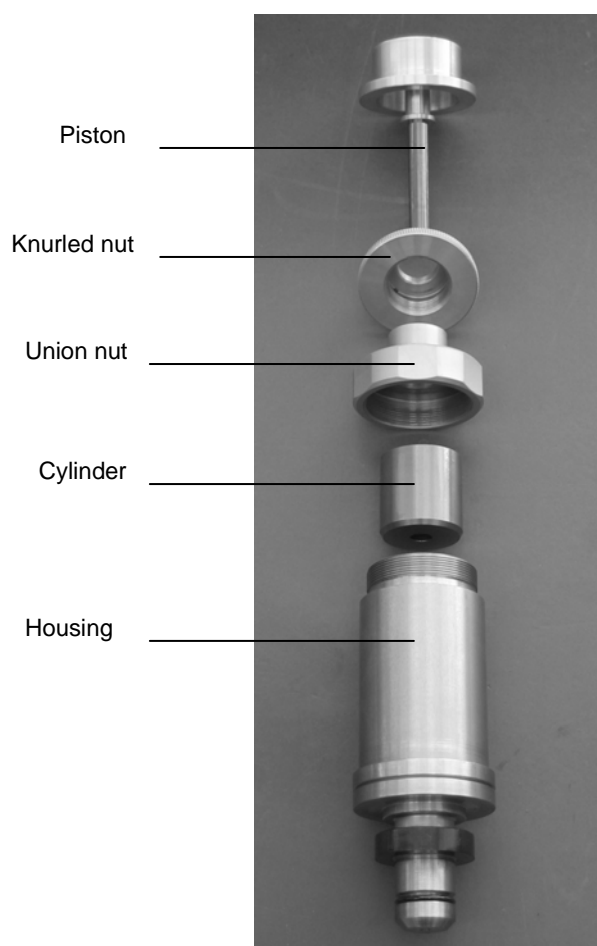
5.1.1 Piston/Cylinder system

We recommend you to clean the piston/cylinder systems after every use as needed. Poor sensitivity or short free turning duration are indications the system needs to be cleaned.

To do this, remove the piston/cylinder system from the base and disassemble it under consideration of the following references.

5.1.1.1 Hydraulic piston/cylinder system

Layout of the piston/cylinder system (hydraulic):



Disassembly of the piston/cylinder system (hydraulic):

- Loosen the knurled nut completely
- Now the piston can be drawn slowly and carefully out of the cylinder, removing it vertically upward. The best way to do this is set the piston/cylinder unit down on a plate and keeps it still.
- Unscrew the union nut
- The cylinder can be removed out of the housing

Cleaning of the piston/cylinder system (hydraulic):

There are a number of ways to clean the individual parts.

It is recommended to wipe the parts with a dust-free, lint-free and soft wipe soaked in alcohol (e.g. ethyl alcohol), or to pull it through the cylinder, then drying them off with a dry, dust-free, lint-free and soft wipe.

For this we recommend the use of the cleaning-set for piston/cylinder systems, which is available as an accessory (see section 8. Accessories). It contains a detailed operating instruction for the cleaning process.



Never touch the cleaned piston with your bare hands. The natural dermal-grease can cause a jamming of the piston/cylinder system.

Assembly of the piston/cylinder system (hydraulic):

Put the parts together again in the opposite order.

- Insert the cylinder into the housing (slanted edge facing down)
- Screw on the union nut
- Place the system vertically on the plate and carefully insert the piston from above. The piston should "fall" into the cylinder by its own weight.
- Tighten the knurled nut again

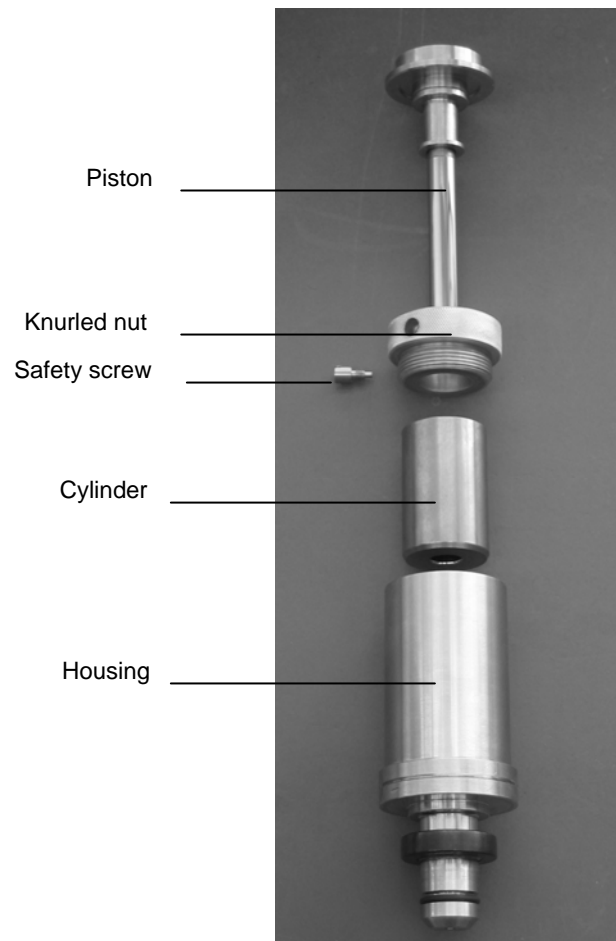


Never press the piston forcibly into the cylinder. Otherwise it is damaged.

The system is now ready to use again.

5.1.1.2 Pneumatic piston/cylinder system

Layout of the piston/cylinder system (pneumatic):



Disassembly of the piston/cylinder system (pneumatic):

- Loosen the safety screw at the side
- Now the piston can be drawn slowly and carefully out of the cylinder, removing it vertically upward. The best way to do this is set the piston/cylinder unit down on a plate and keep it still.
- Unscrew the knurled nut
- The cylinder can be removed out of the housing

Cleaning of the piston/cylinder system (pneumatic):

There are a number of ways to clean the individual parts.

It is recommended to wipe the parts with a dust-free, lint-free and soft wipe soaked in alcohol (e.g. ethyl alcohol), or to pull it through the cylinder, then drying them off with a dry, dust-free, lint-free and soft wipe.

For this we recommend the use of the cleaning-set for piston/cylinder systems, which is available as an accessory (see section 8. Accessories). It contains a detailed operating instruction for the cleaning process.



Never touch the cleaned piston with your bare hands. The natural dermal-grease can cause a jamming of the piston/cylinder system.

Assembly of the piston/cylinder system (pneumatic):

Put the parts together again in the opposite order.

- Insert the cylinder into the housing (slanted edge facing down)
- Screw on the knurled nut
- Place the system vertically on the plate and carefully insert the piston from above. The piston should "fall" into the cylinder by its own weight.
- Tighten the safety screw at the side again



Never press the piston forcibly into the cylinder. Otherwise it is damaged.

The system is now ready to use again.

5.1.2 Weight Set

- The weights should be handled with gloves.
- If fingerprints or other impurities are found on the weight pieces in spite of this precaution, they can be removed with alcohol (spirit).

5.2 Wear Parts

O-rings in the piston/cylinder retaining system and test specimen receptacles are subjected to wear. Both O-rings must be checked for proper seat and any wear before any calibrating is performed. If necessary, the O-rings must be replaced in regular intervals, or whenever necessary (see Accessories, section 8).



Important: Use original seals only. Seals having deviant measurements, or materials, or material grades, may cause damage to the device and test specimen, and pose a danger for the operator.

5.3 Changing the Hydraulic Oil (Hydraulic Design only)

The hydraulic oil should be changed whenever visible contamination is present.

5.3.1 Removing Hydraulic Oil

- Open the locking screw with the oil filling symbol on top of the basement
- Siphon the oil out of the tank, for example, by using a suitable nozzle
- Small amounts of oil residue additionally may be siphoned off the connections with the receptacle for the piston/cylinder system and test specimen connection opened and with the outlet valve closed, by means of slowly turning in of the spindle pump
- Minute amounts of oil residue may remain in the piping



In case of severe contamination of the hydraulic oil, the complete cleaning of the piping and of all media-contacted individual components of the basement in a dismantled state may be advisable. This procedure may be performed by the manufacturer only.



Waste oil must be disposed of according to legal requirements.

5.3.2 Filling in of Hydraulic Oil

- Turn in the spindle pump clockwise until it reaches the initial stop
- Close the outlet valve
- Open the locking screw with the oil filling symbol on top of the basement
- Fill in special oil (1 litre supplied, or available as accessory) via the tank opening, until the fill level reaches the thread of the tank opening (approximately 250ml). The fill level must always be observed.
- Twist out the spindle pump counter-clockwise until it reaches the rear stop. The filling medium is suctioned out of the tank into the system.
- Close the tank opening with the locking screw

5.3.3 Venting of the System (after Complete Filling only)

After initial filling, or after a complete oil change, air may be trapped in the system. The system should be vented using the following procedure:

- The piston/cylinder system and test specimen connections must be open
- Close the outlet valve
- Twist out the spindle pump counter-clockwise until it reaches the rear stop.
- Carefully pump using the initial pressure pump, while continuously observing the filling medium in the open piston/cylinder system and test specimen connections. At this point, trapped air escapes toward the exterior by means of the formation of bubbles. The initial pressure pump must be actuated until air bubbles no longer appear.
- Any oil escaping in the open piston/cylinder system and test specimen connections should be siphoned off, for example, with a nozzle.

5.4 Recalibration

The recommended interval between recalibrations is 5 years.

This is the recommendation of the German Calibration Service (DKD/DAkkS)

This interval assumes the system and weights are handled carefully.

If the system is in rough usage, we recommend shortening the interval to about three years.

The pressure balance should be immediately maintained and recalibrated, if:

- the operating characteristics deteriorate (duration of free rotation, sink rate, sensitivity)
- the weight pieces are damaged or corroded

For recalibration or if you have questions about the optimal recalibration cycle, the DKD lab would be happy to assist you:

WIKA Alexander Wiegand SE & Co. KG
DKD-Kalibrierlaboratorium
Alexander-Wiegand-Strasse
63911 Klingenberg / Germany

Phone: (+49) 93 72 / 132 - 473

Fax: (+49) 93 72 / 132 - 8767

E-Mail: calibration@wika.de

6. Specifications

Version		pneumatic					
Measuring range ⁵⁾	bar ¹⁾	-0.03 ... -1	0.03 ... 2	0.2 ... 10	0.4 ... 50	0.4 ... 100	
Required weights	kg	5	10	10	10	20	
Smallest step	bar ²⁾	0.01	0.01	0.05	0.25	0.25	
Nominal cross-sectional area of the piston	cm ²	5	5	1	0.2	0.2	
Version		pneumatic					
Measuring range ⁵⁾	psi ¹⁾	-0.435 ... -14	0.435 ... 30	2.9 ... 150	5.8 ... 500	5.8 ... 1,000	5.8 ... 1,500
Required weights	kg	5	10	10	7	13	20
Smallest step	psi ²⁾	0.1	0.2	1	5	5	5
Nominal cross-sectional area of the piston	cm ²	5	5	1	0.2	0.2	0.2
Version		hydraulic					
Measuring range ⁵⁾	bar ¹⁾	0.2 ... 60	0.2 ... 100	1 ... 250	1 ... 400	2 ... 600	2 ... 1,000
Required weights	kg	30	50	25	40	30	50
Smallest step	bar ²⁾	0.1	0.1	0.5	0.5	1	1
Nominal cross-sectional area of the piston	cm ²	0.5	0.5	0.1	0.1	0.05	0.05
Version		hydraulic					
Measuring range ⁵⁾	psi ¹⁾	2.9 ... 1,000	14.5 ... 5,000	29 ... 10,000	29 ... 14,500		
Required weights	kg	34	34	34	50		
Smallest step	psi ²⁾	2	10	20	20		
Nominal cross-sectional area of the piston	cm ²	0.5	0.1	0.05	0.05		
Accuracy ³⁾	% of reading	0.015 / optional: 0.008 ⁴⁾					
Base version		<ul style="list-style-type: none"> ■ pneumatic low-pressure up to max 10 bar / 150 psi; with internal pressure generation ■ pneumatic high-pressure / vacuum up to max 100 bar / 1500 psi; for external supply and vacuum ■ pneumatic with separator up to max. 400 bar / 5,000 psi; for external supply with integrated gas to oil separator; for the use for hydraulic pistons with M30 x 2 connection ■ hydraulic up to max 1,000 bar / 14,500 psi; with internal pressure generation up to max. 1,200 bar / 17,400 psi on request 					
Connection at the piston/cylinder system		M30 x 2 male thread / optional: ConTect quick connector					
Connection for the test specimen		Quick connector G 1/2 B female thread as standard, freely rotating, changeable, other threaded inserts see accessories					
Pressure transmission medium	pneumatic hydraulic	clean, dry and noncorrosive gases (e.g. air or nitrogen) Operating fluid (1 litre is included in delivery), other mediums on request					
Oil reservoir	cm ³	250					
External pressure connection		6 mm SWAGELOK [®] tube fitting; max 110 % of the measuring range in use; only with the pneumatic high-pressure / vacuum version and with separator					
Material		<ul style="list-style-type: none"> ■ Piston Tungsten Carbide ■ Cylinder Tungsten Carbide ■ Mass-set Stainless steel 1.4305 and aluminium, unmagnetic ■ Instrument base tubing pneumatic low-pressure: flexible hose made of polyurethane, 4 x 0.75 mm pneumatic high-pressure / vacuum and with separator: stainless steel 1.4571, 3 x 1 mm hydraulic: stainless steel 1.4404, 6 x 2 mm 					
Operating temperature	°C	18 ... 28					

- 1) Theoretical starting value; corresponds to the pressure value generated by the piston (by its own weight). To optimise the operating characteristics more weights should be loaded.
- 2) The lowest pressure change value that is reached based on the standard weight set. A fine weight set is also available for lower values.
- 3) The accuracy is in reference to the measurement value, from 10% of the measurement range. A fixed error is considered in the lower area in reference to 10% of the area.
- 4) Measurement uncertainty assuming reference conditions (room temperature 20°C, air pressure 1013 mbar, relative humidity 40 %). Corrections may be required for use without CalibratorUnit.
- 5) Other on request.

Weight		
■ Pneumatic low-pressure base	kg	18.0 / 19.0 (incl. optional ConTect quick connector)
■ Pneumatic high-pressure base	kg	18.0 / 19.0 (incl. optional ConTect quick connector)
■ Pneumatic base, with separator	kg	16.5
■ Hydraulic base	kg	20.5 / 21.5 (incl. optional ConTect quick connector)
■ Piston/cylinder system	kg	1.5 / 5.7 (incl. bell and plate in optional carrying case)
■ BAR weight set for vacuum	kg	13.1 kg (incl. piston/cylinder system in carrying case)
■ BAR basic mass-set pneumatic	kg	16.2 (incl. carrying case)
■ BAR mass-set extension pneumatic	kg	14.0 (incl. carrying case)
■ BAR basic mass-set hydraulic	kg	36.0 (incl. carrying case)
■ BAR mass-set extension hydraulic	kg	24.0 (incl. carrying case)
■ PSI weight set for vacuum	kg	13.0 kg (incl. piston/cylinder system in carrying case)
■ PSI basic mass-set pneumatic	kg	12.5 (incl. carrying case)
■ PSI mass-set extension 1 pneumatic	kg	11.0 (incl. carrying case)
■ PSI mass-set extension 2 pneumatic (only for 1,500 psi)	kg	18.5 (incl. carrying case)
■ PSI basic mass-set hydraulic	kg	42.0 (incl. carrying case)
■ PSI mass-set extension hydraulic	kg	21.5 (incl. carrying case)
Dimensions		
■ Instrument base	mm	400 (W) x 375 (D) x 265 (H), for details see technical drawing
■ Carrying case for basic mass-set	mm	400 (W) x 310 (D) x 310 (H)
■ Carrying case for mass-set extension	mm	215 (W) x 310 (D) x 310 (H)
■ Carrying case for piston/cylinder system (optional)	mm	300 (W) x 265 (D) x 205 (H)
CE-conformity		
■ Pressure equipment directive		97/23/EG (Module A) only for version 1,200 bar / 17,400 psi
Calibration		
		Factory calibration certificate / optional: DKD/DAkkS calibration certificate

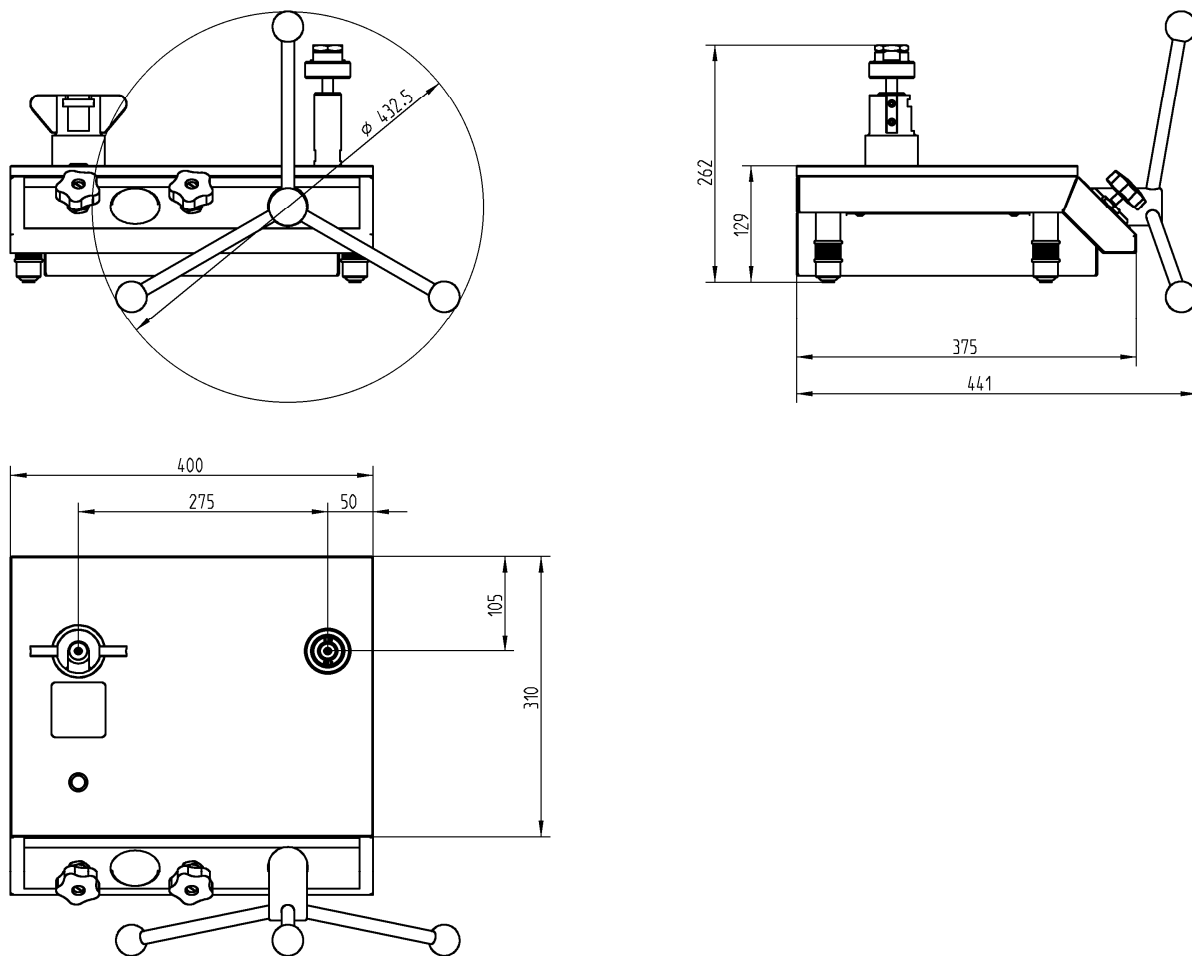
Scope of supply

- Instrument base with textile cover
- Initial pressure pump (not for base version pneumatic high-pressure / vacuum and with separator)
- Spindle pump for pressure generation / fine adjustment
- Connection for piston/cylinder system with M30 x 2 female thread
- Quick connection for test devices
- Piston cylinder system with bell jar
- Basic mass-set in carrying case
- Mass-set extension in carrying case (depending on measuring range)
- Mass-set manufactured to standard gravity (9.80665 m/s²)
- Operating fluid 1 litre (only for hydraulic version) resp. 0.25 litre (for separator version)
- Operating instructions in German and English
- Factory calibration certificate

Options

- Systems with increased accuracies up to 0.008 %
- Connection for piston/cylinder system with ConTect quick connector
- Carrying case for piston/cylinder systems
- Mass-set manufactured to local gravity
- DKD/DAkkS calibration certificate

Dimensions



The drawing shows a pneumatic high-pressure base CPB5000 including the ConTect quick connector available as an option. The pneumatic low-pressure version and the hydraulic version do not vary in their dimensions.

7. Tables of masses

The following tables show the amount of weight pieces per measuring range within a weight set with their nominal mass values and the resulting nominal pressures.

Should you not operate the device under reference conditions (ambient temperature 20°C, air pressure 1013 mbar, relative humidity 40%), the corrections according to section 2.3 must be considered.

7.1 Hydraulic models

Measuring range [bar]	0.2 ... 60		0.2 ... 100		1 ... 250		1 ... 400		2 ... 600		2 ... 1,000	
	Pieces	Nominal pressure per piece	Pieces	Nominal pressure per piece	Pieces	Nominal pressure per piece	Pieces	Nominal pressure per piece	Pieces	Nominal pressure per piece	Pieces	Nominal pressure per piece
Piston	1	0.2	1	0.2	1	1	1	1	1	2	1	2
Bell jar	1	1.6	1	1.6	1	8	1	8	1	16	1	16
Aluminium plate	1	0.1	1	0.1	1	0.5	1	0.5	1	1	1	1
Mass 4 kg	6	8	11	8	5	40	11	40	6	80	11	80
Mass 2 kg	2	4	2	4	2	20	2	20	2	40	2	40
Mass 1 kg	1	2	1	2	1	10	1	10	1	20	1	20
Mass 0.5 kg	1	1	1	1	1	5	1	5	1	10	1	10
Mass 0.2 kg	1	0.4	1	0.4	1	2	1	2	1	4	1	4
Mass 0.1 kg	1	0.2	1	0.2	1	1	1	1	1	2	1	2
Mass 0.05 kg	1	0.1	1	0.1	1	0.5	1	0.5	1	1	1	1

Measuring range [psi]	2.9 ... 1,000		14.5 ... 5,000		29 ... 10,000		29 ... 14,500	
	Pieces	Nominal pressure per piece	Pieces	Nominal pressure per piece	Pieces	Nominal pressure per piece	Pieces	Nominal pressure per piece
Piston	1	2.9	1	14.5	1	29	1	29
Bell jar	1	23.1	1	115.5	1	231	1	231
Aluminium plate	1	1.1	1	5.5	1	11	1	11
Mass 3.5 kg	9	100	9	500	9	1000	14	1000
Mass 1.4 kg	1	40	1	200	1	400	1	400
Mass 1 kg	1	30	1	150	1	300	1	300
Mass 0.7 kg	2	20	2	100	2	200	2	200
Mass 0.35 kg	1	10	1	50	1	100	1	100
Mass 0.175 kg	1	5	1	25	1	50	1	50
Mass 0.14 kg	1	4	1	20	1	40	1	40
Mass 0.07 kg	1	2	1	10	1	20	1	20

7.2 Pneumatic models

Measuring range [bar]	-0.03 ... -1		0.03 ... 2		0.2 ... 10		0.4 ... 50		0.4 ... 100	
	Pieces	Nominal pressure per piece	Pieces	Nominal pressure per piece	Pieces	Nominal pressure per piece	Pieces	Nominal pressure per piece	Pieces	Nominal pressure per piece
Piston	1	0.03	1	0.03	1	0.2	1	0.4	1	0.4
Bell jar	-	-	1	0.16	1	0.8	1	4	1	4
Aluminium plate	1	0.07	1	0.01	1	0.05	1	0.25	1	0.25
Mass 2 kg	-	-	-	-	-	-	-	-	5	10
Mass 1 kg	-	-	9	0.2	9	1	9	5	9	5
Mass 0.5 kg	8	0.1	1	0.1	1	0.5	1	2.5	1	2.5
Mass 0.25 kg	1	0.05	-	-	-	-	-	-	-	-
Mass 0.2 kg	-	-	1	0.04	1	0.2	1	1	1	1
Mass 0.12 kg	-	-	1	0.024	1	0.12	1	0.6	1	0.6
Mass 0.1 kg	2	0.02	1	0.02	1	0.1	1	0.5	1	0.5
Mass 0.07 kg	-	-	1	0.014	1	0.07	1	0.35	1	0.35
Mass 0.05 kg	1	0.01	1	0.01	1	0.05	1	0.25	1	0.25

Measuring range [psi]	-0.435 ... -14		0.435 ... 30		2.9 ... 150		5.8 ... 500		5.8 ... 1,000		5.8 ... 1,500	
	Pieces	Nominal pressure per piece	Pieces	Nominal pressure per piece	Pieces	Nominal pressure per piece	Pieces	Nominal pressure per piece	Pieces	Nominal pressure per piece	Pieces	Nominal pressure per piece
Piston	1	0.435	1	0.435	1	2.9	1	5.8	1	5.8	1	5.8
Bell jar	-	-	1	2.22	1	11.1	1	55.5	1	55.5	1	55.5
Aluminium plate	1	0.565	1	0.22	1	1.1	1	5.5	1	5.5	1	5.5
Mass 1.4 kg	-	-	5	4	5	20	-	-	5	100	8	100
Mass 1 kg	-	-	2	3	2	15	2	75	2	75	2	75
Mass 0.7 kg	4	2	4	2	4	10	4	50	4	50	9	50
Mass 0.35 kg	4	1	3	1	3	5	3	25	3	25	3	25
Mass 0.19 kg	-	-	1	0.548	1	2.74	1	13.7	1	13.7	1	13.7
Mass 0.175 kg	1	0.5	-	-	-	-	-	-	-	-	-	-
Mass 0.14 kg	-	-	1	0.4	1	2	1	10	1	10	1	10
Mass 0.12 kg	-	-	1	0.345	1	1.725	1	8.625	1	8.625	1	8.625
Mass 0.07 kg	2	0.2	1	0.2	1	1	1	5	1	5	1	5
Mass 0.035 kg	1	0.1	-	-	-	-	-	-	-	-	-	-

8. Accessories

CalibratorUnit type CPU 5000

Compact Tool for the use with a pressure balance.
The CalibratorUnit CPU5000 calculates the required mass-loads for any pressure step. As an option, it includes the required sensors for automatical correction of ambient conditions. Also available is a package for calibrating transmitters.



Specifications according to data sheet CT 35.01.

The following models are available:

Description / Features	Order no.
CalibratorUnit CPU 5000 Basic system	7261369
CalibratorUnit CPU 5000 Basic system incl. Metrology-Extension ¹⁾	7322031
CalibratorUnit CPU 5000 Basic system incl. Transmitter-Extension ²⁾	7432945
CalibratorUnit CPU 5000 Basic system incl. Visualisation-Extension ³⁾	7433046
CalibratorUnit CPU 5000 Basic system incl. Metrology- and Transmitter-Extension	12351199
CalibratorUnit CPU 5000 Basic system incl. Metrology- and Visualisation-Extension	7512329
CalibratorUnit CPU 5000 Basic system incl. Metrology-, Transmitter- and Visualisation-Extension	12168025

- 1) includes sensors for piston temperature (measurement directly at the system) and ambient conditions (temperature, air pressure, humidity)
- 2) multimeter function for analog transmitters incl. power supply DC 24 V
- 3) sensor for touchless measurement of the float position and indication

Further accessories

Description / Features	Order no.
Trim-masses (1 mg – 50 g)	7093874
Set of adapters for quick-connector in a case with threaded inserts G 1/4, G 3/8, 1/2 NPT, 1/4 NPT and M 20 x 1.5 for adaptation to the knurled nut of the test item connection	2036941
Set of adapters „NPT“ for quick-connector in a case with threaded inserts 1/8 NPT, 1/4 NPT, 3/8 NPT and 1/2 NPT for adaptation to the knurled nut of the test item connection	1256362
Angle connection 90°, for test specimens with back mounting connection	1564838
Purifier, up to 1000 bar	1565389
Dirt trap, -1/+1000 bar, volume 0.2 litre	2015820
Dirt trap, -1/+1000 bar, volume 0.03 litre	2015714
Set of O-rings consisting of 5 pieces 8 x 2 and 5 pieces 4 x 2.2	12328562
Operating fluid for CPB5000 up to 4000 bar, 1 litre	2099882
Cleaning set for ConTect-systems, pneumatic version	12485943
Cleaning set for ConTect-systems, hydraulic version	12481425
Special test item connection with quick-connector, for adaptation into the fixture for the ConTect-System, operation as comparison test pump possible	2152634

D



Information

Dieses Zeichen gibt Ihnen Informationen, Hinweise oder Tipps.



Warnung!

Dieses Symbol warnt Sie vor Handlungen, die Schäden an Personen oder am Gerät verursachen können.

Inhalt

1. Allgemeines	43
1.1 Allgemeine Hinweise	43
1.2 Sicherheitshinweise	44
2. Produktbeschreibung	45
2.1 Allgemeine Produktinformationen	45
2.2 Grundprinzip Kolbenmanometer	46
2.3 Einflussfaktoren	46
2.3.1 Lokale Fallbeschleunigung	46
2.3.2 Temperatur (Kolben-Zylinder)	47
2.3.3 Umgebungsbedingungen	47
2.3.4 Druckabhängigkeit der Querschnittsfläche	48
2.4 Anordnung der Bedienelemente	48
2.4.1 Basement pneumatisch Niederdruck	49
2.4.2 Basement pneumatisch Hochdruck / Vakuum	50
2.4.3 Basement hydraulisch	51
3. Inbetriebnahme und Betrieb	52
3.1 Vorbereitung	52
3.1.1 Aufstellung des Gerätes	52
3.1.1.1 Hinweise zur Geräteausführung „pneumatisch Hochdruck / Vakuum“	52
3.1.1.2 Hinweise zur Geräteausführung „pneumatisch mit integrierter Trennvorlage Luft auf Öl“	52
3.1.1.3 Hinweise zur Geräteausführung „hydraulisch“	53
3.1.2 Einbau des Kolben-Zylinder-Systems	54
3.1.2.1 Kolbenaufnahme mit M30 x 2 Innengewinde	54
3.1.2.2 Kolbenaufnahme mit ConTect-Schnellverschluss	55
3.1.2.3 Vakuum Kolben-Zylinder-System	56
3.1.2.4 Kolbenaufnahme mit integrierter Trennvorlage mit M30 x 2 Innengewinde	57
3.1.3 Anschluss des Prüflings	58
3.1.4 Entlüftung des Systems (nur Hydraulikausführung)	58
3.2 Betrieb	59
3.2.1 Masseauflagen	59
3.2.2.1 Druckwert anfahren – Basement hydraulisch	60
3.2.2.2 Druckwert anfahren – Basement pneumatisch Niederdruck	60
3.2.2.3 Druckwert anfahren – Basement pneumatisch Hochdruck / Vakuum	61
3.2.2.4 Druckwert anfahren – Basement pneumatisch mit Trennvorlage	61
3.2.3 Druck stabil	61
3.2.4 Nächste Druckstufe	62
3.2.5. Vakuumbetrieb	62
3.2.5.1 Massenaufgaben für Vakuum	62
3.2.5.2 Vakuumwert anfahren	63
3.2.5.3 Vakuum stabil	63
3.2.5.4 Nächste Vakuumstufe	63
3.2.6 Druck entlasten – Hydraulik, Pneumatik und Vakuum	63
3.3 Abbau	64
4. Maßnahmen bei Störungen	65
5. Pflege und Wartung	66

5.1 Reinigung	66
5.1.1 Kolben-Zylinder-System	66
5.1.1.1 Hydraulisches Kolben-Zylinder-System	66
5.1.1.2 Pneumatisches Kolben-Zylinder-System	68
5.1.2 Massensatz	69
5.2 Verschleißteile	69
5.3 Austausch des Hydrauliköls (nur bei Hydraulikausführung)	70
5.3.1 Hydrauliköl entfernen	70
5.3.2 Hydrauliköl einfüllen	70
5.3.3 Entlüftung des Systems (nur nach Komplettbefüllung)	70
5.4 Rekalibrierung	71
6. Technische Daten	72
7. Gewichtstabellen	75
7.1 Hydraulische Modelle	75
7.2 Pneumatische Modelle	76
8. Zubehör	77

1. Allgemeines

1.1 Allgemeine Hinweise

In den folgenden Kapiteln erhalten Sie nähere Informationen zum Kolbenmanometer CPB 5000 und seinen ordnungsgemäßen Einsatz. Sollten Sie weitere Informationen wünschen, oder treten besondere Probleme auf, die in der Betriebsanleitung nicht ausführlich behandelt werden, erhalten Sie Auskunft unter folgender Adresse:

WIKA Alexander Wiegand SE & Co. KG

Alexander Wiegand Strasse
D-63911 Klingenberg
Tel: +49-(0)9372/132-0
Fax: +49-(0)9372/132-406
E-Mail: calibration@wika.de

Das Kolbenmanometer ist, wenn nicht anders vereinbart, konform zu den aktuell gültigen internationalen Regelwerken kalibriert und direkt auf ein nationales Normal rückführbar.

Die Gewährleistungszeit für das Kolbenmanometer beträgt 24 Monate nach den Allgemeinen Lieferbedingungen des ZVEI. Sämtliche Gewährleistungsansprüche verfallen, bei unsachgemäßer Handhabung bzw. bei Nichtbeachtung der Betriebsleitungen oder bei dem Versuch das Gerät zu öffnen bzw. Anbauteile oder die Verrohrung zu lösen.

Außerdem weisen wir darauf hin, dass der Inhalt dieser Betriebsanleitung nicht Teil einer früheren oder bestehenden Vereinbarung, Zusage oder Rechtsverhältnisses ist oder diese abändern soll. Sämtliche Verpflichtungen der WIKA Alexander Wiegand SE & Co. KG ergeben sich aus dem jeweiligen Kaufvertrag und den Allgemeinen Geschäftsbedingungen der WIKA Alexander Wiegand SE & Co. KG.

WIKA ist ein eingetragenes Warenzeichen der WIKA Alexander Wiegand SE & Co. KG.

Firmen- oder Produktnamen, die in diesem Handbuch erwähnt werden, sind eingetragene Warenzeichen dieser Hersteller.

Die beschriebenen Geräte entsprechen in ihren Konstruktionen, Maßen und Werkstoffen dem derzeitigen Stand der Technik. Änderungen und den Austausch von Werkstoffen behalten wir uns vor, ohne den Zwang umgehend darauf hinzuweisen.

Eine Vervielfältigung dieses Handbuches oder Teilen davon ist untersagt.

1.2 Sicherheitshinweise



Lesen Sie diese Bedienungsanleitung sorgfältig, bevor Sie das Kolbenmanometer CPB 5000 einsetzen. Die Funktion und Betriebssicherheit des Gerätes kann nur dann gewährleistet werden, wenn die Sicherheitshinweise der Betriebsanleitung beachtet werden.

1. Das Gerät darf nur von dafür ausgebildeten und befugten Personen bedient werden, die die Betriebsanleitung kennen und danach arbeiten können!
2. Die einwandfreie Funktion und Betriebssicherheit des Gerätes kann nur unter Berücksichtigung der im Kapitel "Aufstellung des Gerätes" beschriebenen Bedingungen eingehalten werden.
3. Das CPB 5000 ist stets mit der für ein Präzisionsgerät erforderlichen Sorgfalt zu behandeln (vor Nässe, Stößen und extremen Temperaturen schützen). Gerät, Kolben-Zylinder-System und Massensatz müssen pfleglich behandelt werden (nicht werfen, aufschlagen, etc.) und sind vor Verschmutzung zu schützen. Vermeiden Sie unbedingt jegliche Gewalteinwirkung auf die Bedienungselemente des CPB 5000.
4. Wird das Gerät von einer kalten in eine warme Umgebung transportiert, muss die Angleichung der Gerätetemperatur an die Raumtemperatur vor einer erneuten Inbetriebnahme abgewartet werden.
5. Wenn anzunehmen ist, dass das Gerät nicht mehr gefahrlos betrieben werden kann, so ist es außer Betrieb zu setzen und vor einer Wiederinbetriebnahme durch Kennzeichnung zu sichern. Die Sicherheit des Benutzers kann durch das Gerät beeinträchtigt sein, wenn es zum Beispiel:
 - Sichtbare Schäden aufweist.
 - Nicht mehr wie vorgeschrieben arbeitet.
 - Längere Zeit unter ungeeigneten Bedingungen gelagert wurde.In Zweifelsfällen das Gerät grundsätzlich an den Hersteller zur Reparatur bzw. Wartung einschicken.
6. Es dürfen am Gerät keine Veränderungen oder Reparaturen vom Kunden vorgenommen werden. Das Öffnen des Gerätes oder das Lösen von Anbauteilen oder der Verrohrung beeinträchtigt die Funktions- und Betriebssicherheit und stellt eine Gefahr für die Bedienperson dar. Zur Wartung oder Reparatur muss das Gerät zum Hersteller eingesandt werden.
7. Es dürfen nur Original-Dichtungen im Gerät verwendet werden.
8. Ein anderer Betrieb als der in der folgenden Anleitung beschriebene oder außerhalb der Spezifikationen, ist bestimmungswidrig und muss deshalb ausgeschlossen werden.

2. Produktbeschreibung

2.1 Allgemeine Produktinformationen

■ Einsatz

Kolbenmanometer sind die genauesten am Markt verfügbaren Geräte zur Kalibrierung von elektronischen oder mechanischen Druckmessgeräten. Die direkte Messung des Druckes, gemäß seiner Definition als Quotient aus Kraft und Fläche, sowie der Einsatz hochwertiger Materialien ermöglichen sehr kleine Messunsicherheiten in Verbindung mit der ausgezeichneten Langzeitstabilität von fünf Jahren (Empfehlung gemäß des Deutschen Kalibrierdienstes DKD).

Das Kolbenmanometer findet somit seit Jahren seinen Einsatz in den Werks- und Kalibrierlaboratorien der Industrie, Nationalen Instituten sowie Forschungsanstalten. Aufgrund der integrierten Druckerzeugung sowie dem rein mechanischen Messprinzip, ist das CPB 5000 auch ideal für den Einsatz vor Ort, in der Wartung und im Service geeignet.

■ Kolben-Zylinder Messsystem

Druck ist definiert als der Quotient aus Kraft und Fläche. Das Herzstück des CPB 5000 bildet dementsprechend ein sehr präzise gefertigtes Kolben-Zylinder-System. Sowohl der Kolben, als auch der Zylinder sind aus Wolfram Carbid gefertigt und in einem massiven Gehäuse aus Edelstahl sehr gut geschützt gegen Berührung, Stöße oder Verschmutzung von außen.

Der Anschluss des Kolben-Zylinder-Systems ist standardmäßig ein M30 x 2 Außengewinde. Optional ist der patentierte ConTect-Schnellverschluss erhältlich. Dieser ermöglicht einen schnellen und sicheren Wechsel des Messbereiches ohne Werkzeug. Somit lässt sich ein kompaktes und preisoptimiertes Komplettsystem aus einem universellen Basement und bis zu 3 ConTect-Kolben-Zylinder-Systemen verschiedener Messbereiche aufbauen, die mit nur einem Massensatz betrieben werden können.

Die pneumatischen Messsysteme sind für Vakuum und Drücke von 2 bar bis 100 bar bzw. 30 psi bis 1500 psi und die hydraulischen Messsysteme für Drücke von 60 bar bis 1000 bar bzw. 1000 psi bis 14500 psi erhältlich. Die Genauigkeit liegt bei 0,015 % (optional auch 0,008 %) vom Messwert.

Die Gesamtkonstruktion der Kolben-Zylinder-Einheit und die äußerst präzise Fertigung von Kolben und Zylinder stehen für ausgezeichnete Laufeigenschaften mit einer hohen freien Drehdauer und geringen Sinkraten und für eine sehr hohe Langzeitstabilität. Der empfohlene Rekalibrierungszyklus beträgt daher 5 Jahre.

■ Funktionsweise

Je nach Messbereich des Prüflings kann das Gerätebasement mit dem entsprechendem Messsystem bestückt werden. Zur Erzeugung der einzelnen Prüfpunkte, wird das Kolben-Zylinder-System mit Masse-Auflagen belastet. Die Masseauflage ist proportional zu dem angestrebten Druck und wird durch optimal abgestufte Scheiben-Gewichte erreicht. Diese Scheiben-Gewichte werden standardmäßig auf die Norm-Fallbeschleunigung von 9,80665 m/s² gefertigt, können aber auch auf ihren speziellen Einsatzort abgestimmt und auch DKD-kalibriert werden.

Die Einstellung des Druckes erfolgt je nach Geräteausführung entweder über eine integrierte Pumpe oder über eine externe Druckversorgung mittels Dosierventilen. Zur Feineinstellung steht ein regelbares Volumen mit Präzisionsspindel zur Verfügung. Sobald sich dann das Messsystem im Schwebezustand befindet, herrscht ein Kräftegleichgewicht zwischen Druck und Masseauflagen.

Aufgrund der hochwertigen Verarbeitung des Systems steht dieser Druck stabil über mehrere Minuten, so dass problemlos z.B. auch längere Justagearbeiten am Prüfling vorgenommen werden können.

2.2 Grundprinzip Kolbenmanometer

Ihr Funktionsprinzip basiert auf der physikalischen Definition des Druckes, als Quotient aus Kraft und Fläche.

$$Druck = \frac{Kraft}{Fläche}$$

Herzstück des Kolbenmanometers bildet ein präzisionsgefertigtes Kolben-Zylinder-System mit exakt vermessener Querschnittsfläche.

Zur Kraft-Beaufschlagung des Systems, wird der Kolben mit (kalibrierten) Masseauflagen belastet. Jede Auflagescheibe aus dem Massensatz entspricht einem nominalen Massenwert (unter Referenzbedingungen), die einen entsprechenden Druck im System erzeugt. Die Massenscheiben sind nummeriert und im Kalibrierzeugnis sind die jeweiligen Massenwerte und die daraus resultierenden Druckwerte aufgeführt. Je nach gewünschtem Druckwert, erfolgt die Auswahl der dazu erforderlichen Massen.

Danach erfolgt über die integrierte Spindelpumpe eine Erhöhung des Druckes, bis sich die Massen im Schwebezustand befinden.

2.3 Einflussfaktoren

Das Kolbenmanometer wird werkseitig auf Referenzbedingungen (nach Kundenvorgabe) kalibriert. Ergeben sich große Abweichung zwischen den Anwendungsbedingungen zu den definierten Referenzen, müssen entsprechende Korrekturen angebracht werden. Nachfolgende Haupteinflussfaktoren sind zu berücksichtigen.



Mit der CalibratorUnit CPU 5000 (siehe Zubehör Pkt. 8) können diese Korrekturen automatisiert erfolgen!

2.3.1 Lokale Fallbeschleunigung

Der lokale Schwerewert unterliegt großen, geographisch bedingten, Schwankungen. Weltweit kann sich der Wert um bis zu 0,5 % ändern. Da sich dieser Wert, direkt auf die Genauigkeit der Messung auswirkt, muss er unbedingt berücksichtigt werden.

Bereits bei der Herstellung kann eine Anpassung der Masseauflagen auf den späteren Einsatzort erfolgen. Alternativ hierzu, oder bei Einsatz an mehreren Orten, erfolgt der Abgleich auf „Norm-g = 9,80665 m/s²“.

Dann muss jeweils bei der Messung eine Korrektur nach folgender Formel durchgeführt werden:

$$wahrer\ Druck = \text{Nominalwert} \cdot \frac{g - \text{Einsatzort}}{\text{Norm} - g}$$

Beispiel:

Lokaler Schwerewert bei der Herstellung: 9,806650 m/s²
Lokaler Schwerewert am Einsatzort: 9,811053 m/s²

Nominal-Druck: 100 bar

$$\text{Wahrer Druck: } p = p_{\text{Nominal}} \cdot \frac{g_{\text{lokal}}}{g_{\text{Norm}}} = 100 \text{ bar} \cdot \frac{9,81105}{9,80665} = 100,0449 \text{ bar}$$

Ohne Korrektur würde um 0,05 % „falsch“ gemessen werden.

2.3.2 Temperatur (Kolben-Zylinder)

Die effektive Querschnittsfläche des Kolben-Zylinder-Systems ist abhängig von der Temperatur. Der Einfluss ist abhängig vom verwendeten Material und wird beschrieben durch den Temperaturkoeffizient (TK).

Bei Abweichungen von den Referenzbedingungen (typischerweise 20°C), muss nach folgender Formel korrigiert werden:

$$\text{wahrer Druck} = \text{Nominalwert} \cdot \frac{1}{\left(1 + (t_{\text{Einsatz}} - t_{\text{Referenz}}) \cdot TK\right)}$$

Beispiel:

Referenztemperatur: 20°C
Temperatur bei Einsatz: 23°C
TK: 0,0022%

$$\text{wahrer Druck} = 100\text{bar} \cdot \frac{1}{\left(1 + (23 - 20) \cdot 2,2 \cdot 10^{-5}\right)} = 99,99340\text{bar}$$

Ohne Korrektur würde um 0,007 % „falsch“ gemessen werden.

2.3.3 Umgebungsbedingungen

Die Einflüsse der Umgebungsbedingungen

- Luftdruck
- Raumtemperatur
- Luftfeuchte

sollten immer berücksichtigt werden, wenn höchste Genauigkeit gefordert ist. Schwankungen der Umgebungsbedingungen verändern die Luftdichte.

Die Luftdichte beeinflusst den Druckwert über den Masseauftrieb:

$$\text{Masse} = \text{Nominalmasse} \cdot \left(1 - \frac{\text{Luftdichte}}{\text{Massendichte}}\right)$$

Die Luftdichte ist typischerweise 1,2 kg/m³
Die Dichte der Massen (nichtmagnetischer Stahl): 7900 kg/m³

Aus einer Schwankung der Luftdichte um 5% ergibt sich eine zusätzliche Messunsicherheit von ca. 0,001%.

2.3.4 Druckabhängigkeit der Querschnittsfläche

Bei höheren Drücken ändert sich die effektive Querschnittsfläche durch die Druckbelastung. Der Zusammenhang zwischen Querschnitt und anstehendem Druck ist in erster Näherung linear und wird durch den Druckausdehnungskoeffizienten (λ) beschrieben.

$$\text{wahrer Druck} = \frac{\text{Nominaldruck}}{1 + \lambda \cdot \text{Nominaldruck}}$$

Beispiel:

Messpunkt: 1000 bar

System mit Druckausdehnungskoeffizient: 10^{-7} 1/bar:

$$\text{wahrer Druck} = \frac{1000}{1 + 1 \cdot 10^{-7} \cdot 1000} \text{ bar} = 999,90 \text{ bar}$$

Ohne Korrektur würde um 0,01 % „falsch“ gemessen werden.

2.4 Anordnung der Bedienelemente

Die CPB 5000 Basisgeräte sind in folgenden 4 Ausführungen erhältlich, die sich in der Anordnung der Bedienelemente unterscheiden:

■ **Basement pneumatisch Niederdruck**

- bis max. 10 bar / 150 psi
- mit integrierter Druckerzeugung über Vordruckpumpe und Spindelpumpe
- Verrohrung mit Kunststoffschlauch (Polyurethan), 6 x 1 mm

■ **Basement pneumatisch Hochdruck / Vakuum**

- bis max. 100 bar / 1500 psi
- Anschluss für eine externe Druckversorgung oder Vakuumquelle
- Verrohrung aus CrNi-Stahl (1.4571), 3 x 1 mm

■ **Basement pneumatisch mit integrierter Trennvorlage „Luft auf Öl“**

- bis max. 400 bar / 5000 psi
- Anschluss für eine externe Druckversorgung
- für den Einsatz hydraulischer Kolben-Zylinder-Systeme mit M30 x 2 Anschluss
- Prüflinge lassen sich einfach, trocken und sauber mit Luft kalibrieren
- Verrohrung aus CrNi-Stahl (1.4571), 3 x 1 mm

■ **Basement hydraulisch**

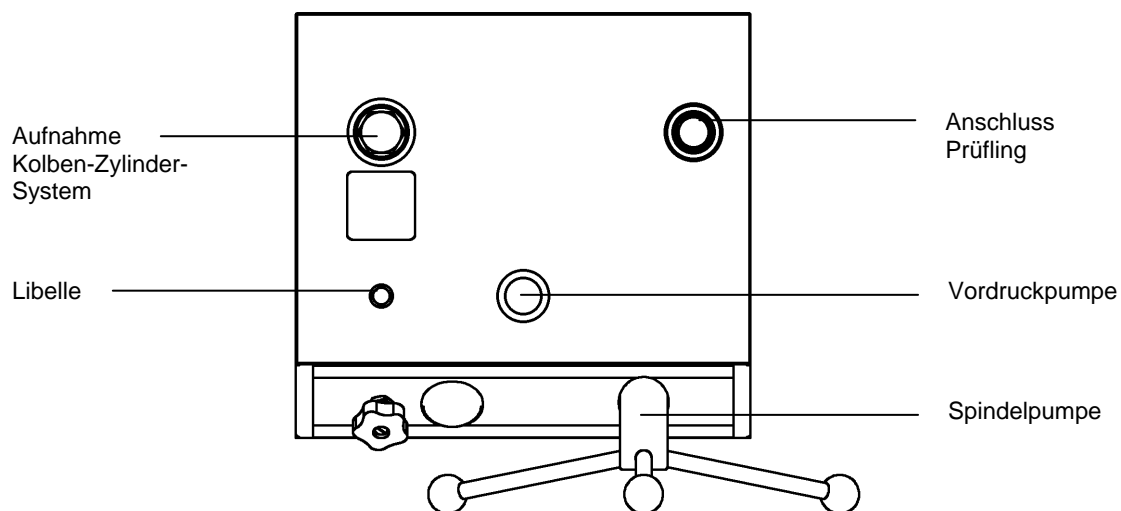
- bis max. 1000 bar / 145000 psi
- mit integrierter Druckerzeugung über Vordruckpumpe und Spindelpumpe
- Verrohrung aus CrNi-Stahl (1.4404), 6 x 2 mm
- Sonderausführung bis 1200 bar / 17400 psi erhältlich

Standardmäßig sind alle Basisgeräte mit einem Anschluss für das Kolben-Zylinder-System mit M30 x 2 Innengewinde ausgestattet.

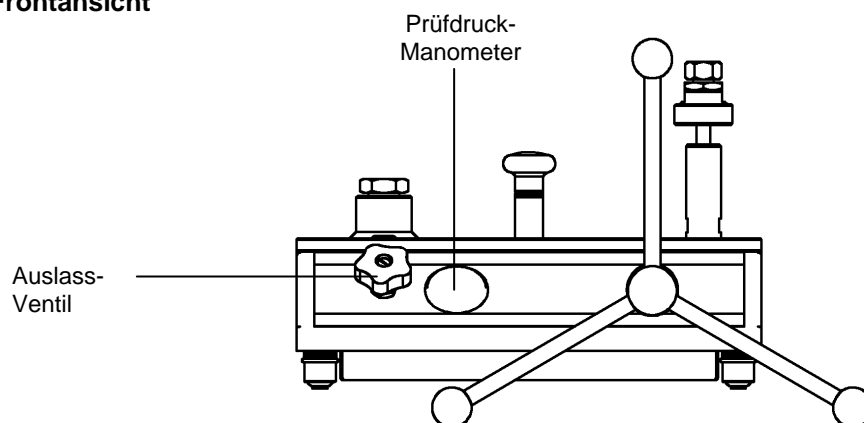
Die optional integrierbare patentierte ConTect-Schnellspannaufnahme ermöglicht einen schnellen und sicheren Wechsel des Messbereiches ohne Werkzeug (nicht erhältlich bei Ausführung mit integrierter Trennvorlage „Luft auf Öl“).

2.4.1 Basement pneumatisch Niederdruck

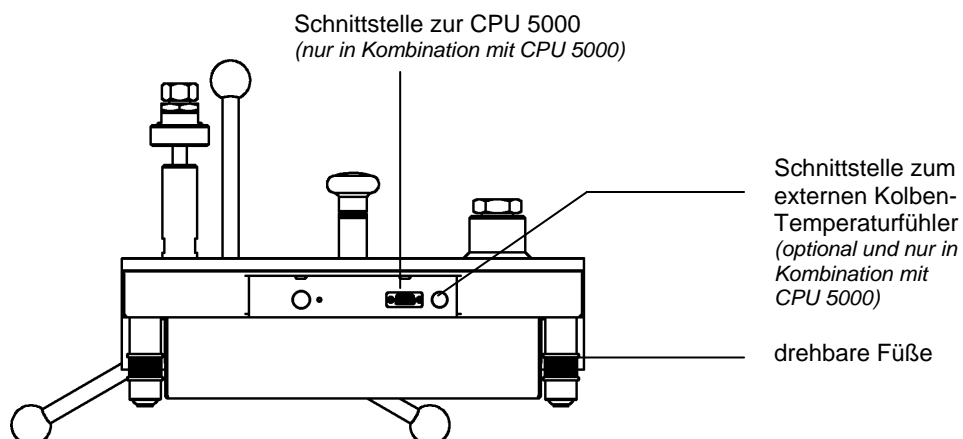
■ Draufsicht



■ Frontansicht



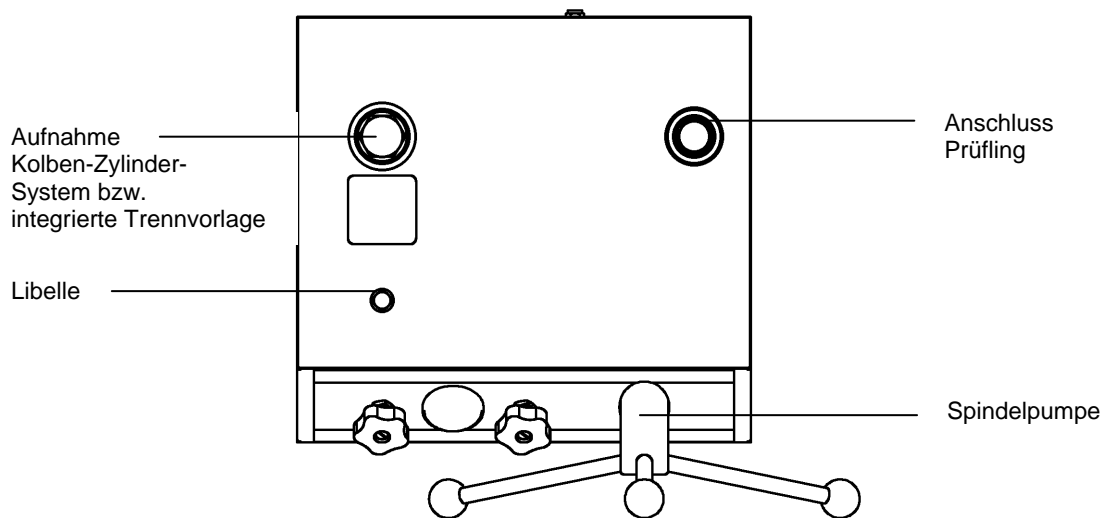
■ Rückansicht



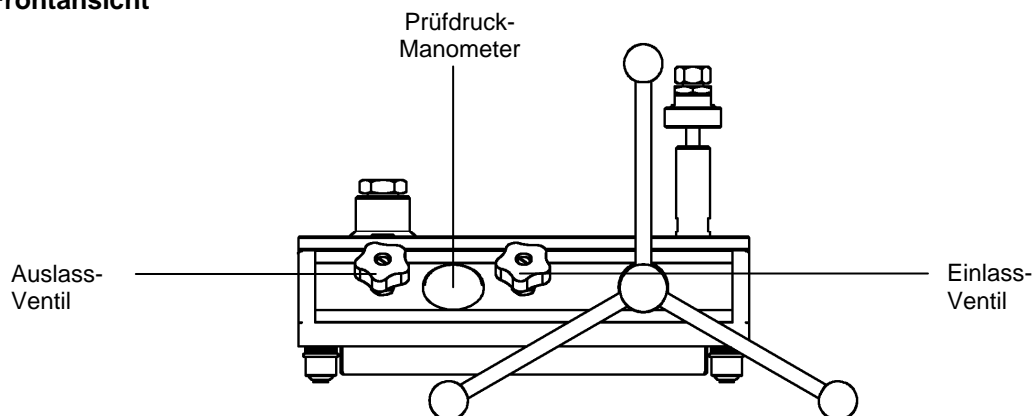
2.4.2 Basement pneumatisch Hochdruck / Vakuum

(gilt auch für Version mit integrierter Trennvorlage „Luft auf Öl“)

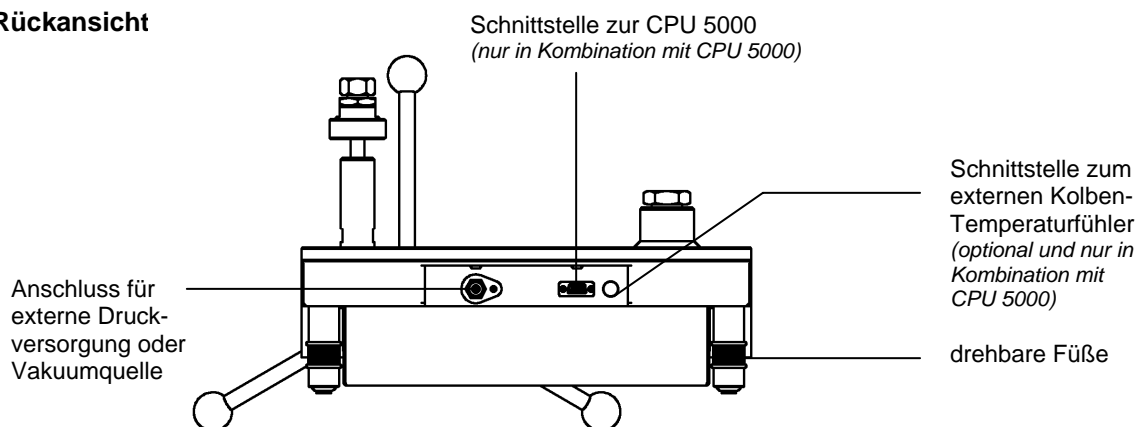
■ Draufsicht



■ Frontansicht

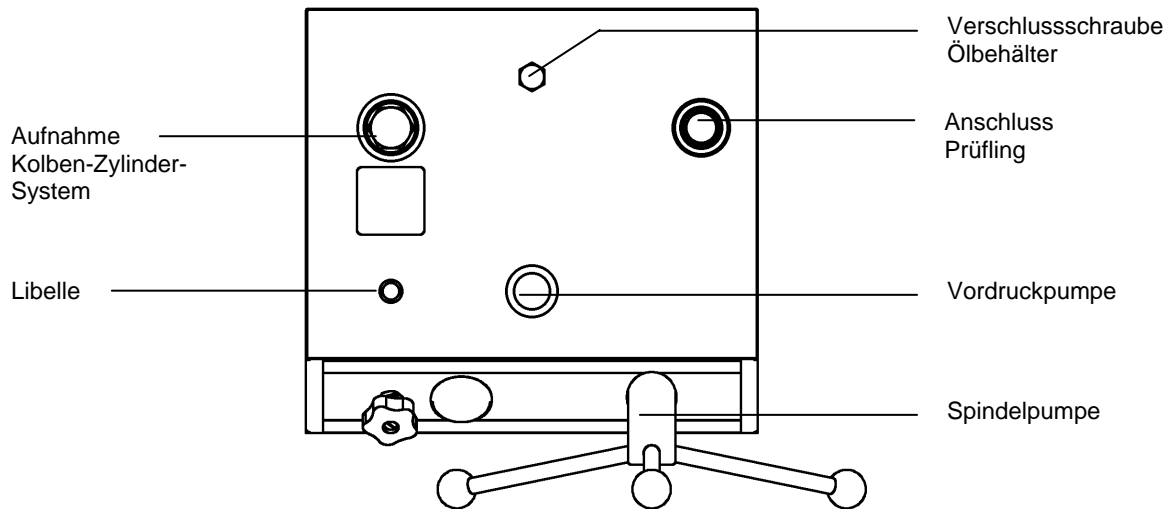


■ Rückansicht

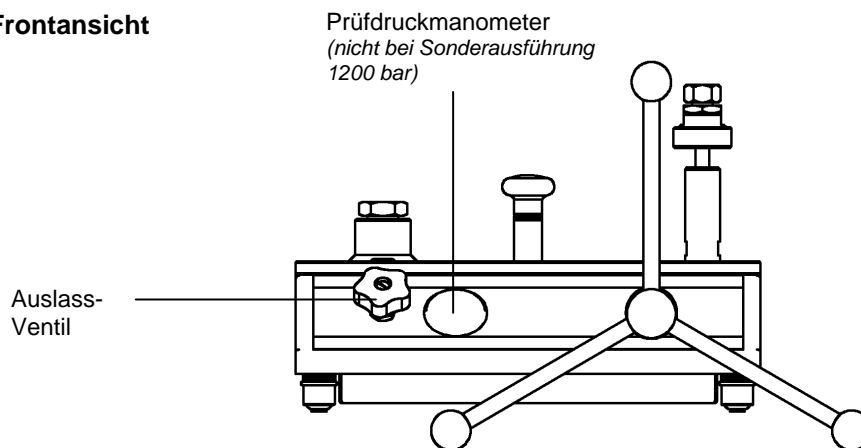


2.4.3 Basement hydraulisch

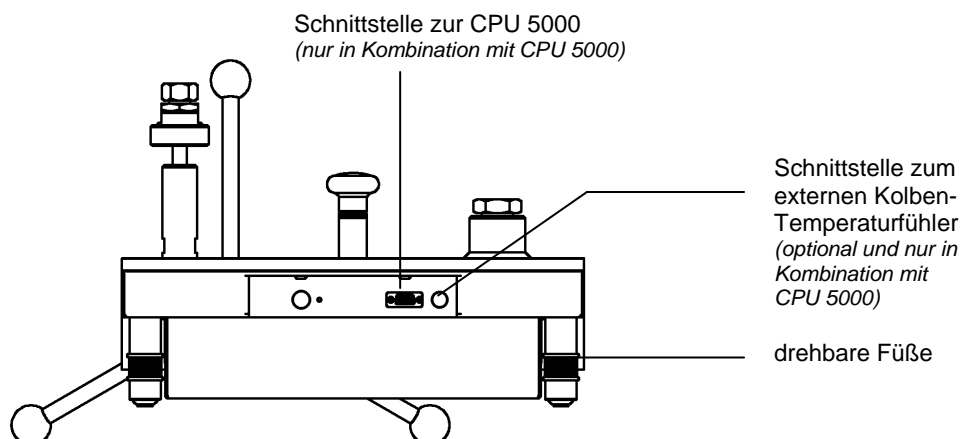
■ Draufsicht



■ Frontansicht



■ Rückansicht



3. Inbetriebnahme und Betrieb

3.1 Vorbereitung

3.1.1 Aufstellung des Gerätes

- Das Kolbenmanometer auf einer festen Unterlage aufstellen. Ein unsicherer Stand oder Vibrationen beeinflussen die Messung und sollten vermieden werden.
- Ist kein klimatisierter Raum vorhanden, sollte das Gerät zumindest nicht in der Nähe von Heizung oder Fenster stehen, um Zugerscheinungen oder Wärmeströmungen zu minimieren.
- Die Libelle zeigt die Ausrichtung des Gerätes an. Eine grobe Ausrichtung kann bereits jetzt ohne Kolben-Zylinder-System erfolgen. Über die drehbaren Füße wird das Gerät in die Waagrechte gestellt.
- Das Drehkreuz mit Griffen auf die Spindelpumpe aufstecken. Hierbei ist darauf zu achten, dass das Federdruckstück in die Drehkreuzhülse einrastet.
- Es empfiehlt sich, die Spindelpumpe zu Beginn der Messwertaufnahme komplett herauszudrehen (im Gegen-Uhrzeigersinn) um genügend Volumen für die Messungen bereit zu stellen. Während dieses Vorgangs ist das Auslass-Ventil zu öffnen.

3.1.1.1 Hinweise zur Geräteausführung „pneumatisch Hochdruck / Vakuum“

- In der **Ausführung pneumatisch Hochdruck / Vakuum** muss eine externe Druckluftversorgung oder eine Vakuumquelle angeschlossen werden.
Der Druckanschluss ist als SWAGELOK® - Rohrverbindung mit 6 mm Rohraußendurchmesser an der Geräterückseite ausgeführt.



Achtung: Der Versorgungsdruck darf max. 110% des Messbereichsendwertes des zu prüfenden Gerätes oder des eingesetzten Kolben-Zylinder-Systems betragen. Der maximal zulässige Druck beträgt 110 bar!

Die Verrohrung ist von einem auf SWAGELOK® - Verbindungen geschulten Monteur, gemäß SWAGELOK® - Verrohrungsanleitung durchzuführen.

- Es dürfen nur trockene, gereinigte und partikelfreie Gase (z.B. Stickstoff 4.0 oder synthetische Luft) verwendet werden.

3.1.1.2 Hinweise zur Geräteausführung „pneumatisch mit integrierter Trennvorlage Luft auf Öl“

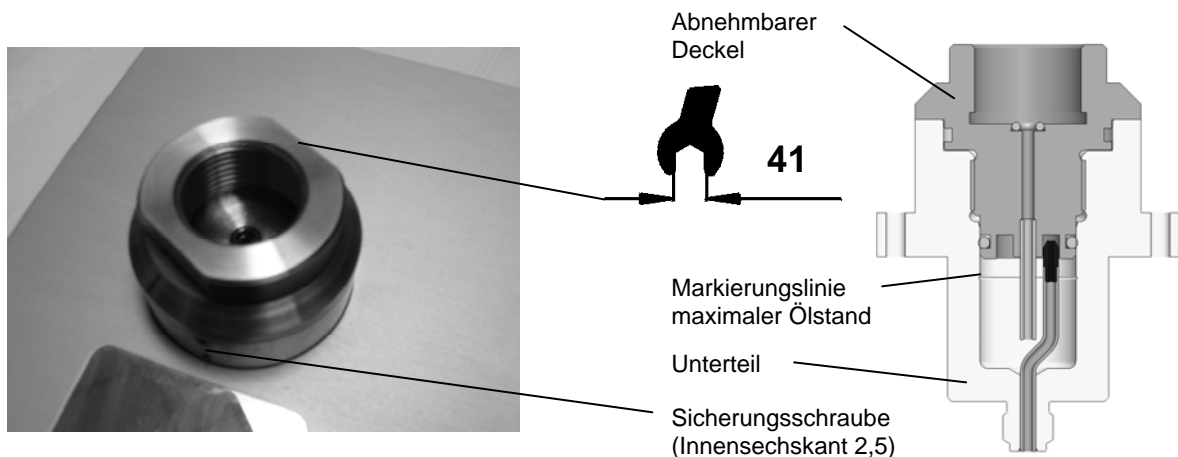
- In der **Ausführung pneumatisch mit integrierter Trennvorlage „Luft auf Öl“** muss eine externe Druckluftversorgung angeschlossen werden.
Der Druckanschluss ist als SWAGELOK® - Rohrverbindung mit 6 mm Rohraußendurchmesser an der Geräterückseite ausgeführt.



Achtung: Der Versorgungsdruck darf max. 110% des Messbereichsendwertes des zu prüfenden Gerätes oder des eingesetzten Kolben-Zylinder-Systems betragen. Der maximal zulässige Druck beträgt 440 bar!

Die Verrohrung ist von einem auf SWAGELOK® - Verbindungen geschulten Monteur, gemäß SWAGELOK® - Verrohrungsanleitung durchzuführen.

- Es dürfen nur trockene, gereinigte und partikelfreie Gase (z.B. Stickstoff 4.0 oder synthetische Luft) verwendet werden.
- Die integrierte Trennvorlage am Kolben-Zylinder-System Anschluss muss ggf. mit Öl auf- bzw. nachgefüllt werden. Hierzu ist der Deckel der Kolbenaufnahme zu öffnen. Zunächst muss die seitliche Sicherungsschraube mit einem Innensechskant-Schlüssel 2,5 mm gelöst werden. Anschließend den Deckel mit einem Gabenschlüssel SW 41 öffnen. Zum Nachfüllen ist Spezialöl zu verwenden (0,25 Liter im Lieferumfang enthalten bzw. als Zubehör erhältlich). Beim Einfüllen ist darauf zu achten, dass kein Öl in die von unten nach oben ragende Rohrleitung eindringt. Der Ölstand darf die Markierungslinie nicht überschreiten.



- Nach dem Befüllen den Deckel der Trennvorlage wieder vorsichtig und langsam in das Unterteil einschrauben, mit dem Gabenschlüssel fest anziehen und die seitliche Sicherungsschraube wieder einschrauben. Danach kann das Kolben-Zylinder-System aufgespannt werden. Hierzu ist nach Pkt. 3.1.2.4 vorzugehen.

3.1.1.3 Hinweise zur Geräteausführung „hydraulisch“

- In der **Hydraulik-Ausführung** muss ggf. der Ölbehälter auf- bzw. nachgefüllt werden (Inhalt 250 ml). Hierzu ist die Verschlusschraube mit dem Öleinfüllsymbol auf der Basenoberseite zu öffnen. Zum Nachfüllen ist Spezialöl zu verwenden (1 Liter im Lieferumfang enthalten bzw. als Zubehör erhältlich). Bei Erstbefüllung oder nach einem kompletten Austausch des Öls ist das System zu entlüften. Hierzu ist nach Pkt. 5.3.3 vorzugehen.
- In der **Hydraulik-Ausführung** ist vor dem Betrieb die Schutzfolie der Verschlusschraube am Ölbehälter zu entfernen (Abdeckung der Belüftungsbohrung für Transport).

3.1.2 Einbau des Kolben-Zylinder-Systems

- Je nach zu prüfendem Gerät, ist das entsprechende Kolben-Zylinder-System einzusetzen. Hier wird die vergleichbare oder jeweils nächsthöhere Abstufung gewählt.

Beispiel:

Kalibrierung eines 600 bar Federmanometers → 600 bar Contect-System

Kalibrierung eines 160 bar Federmanometers → 250 bar Contect-System

- Bei der Kolbenaufnahme im Basement wird zwischen 2 Ausführungen unterschieden:
 - Kolbenaufnahme mit M30 x 2 Innengewinde (siehe Pkt. 3.1.2.1)
 - Kolbenaufnahme mit ConTect-Schnellverschluss (siehe Pkt. 3.1.2.2)
- Für den Vakuumbetrieb ist ein spezielles Kolben-Zylinder-System sowie ein spezieller Vakuum-Massensatz erforderlich. Der Einbau des Vakuum Kolben-Zylinder-Systems ist unter Pkt. 3.1.2.3 beschrieben.

3.1.2.1 Kolbenaufnahme mit M30 x 2 Innengewinde



Vor Lösen des Verschlussstopfens im Basement, den drucklosen Zustand des Systems (Auslass-Ventil öffnen) sicherstellen.

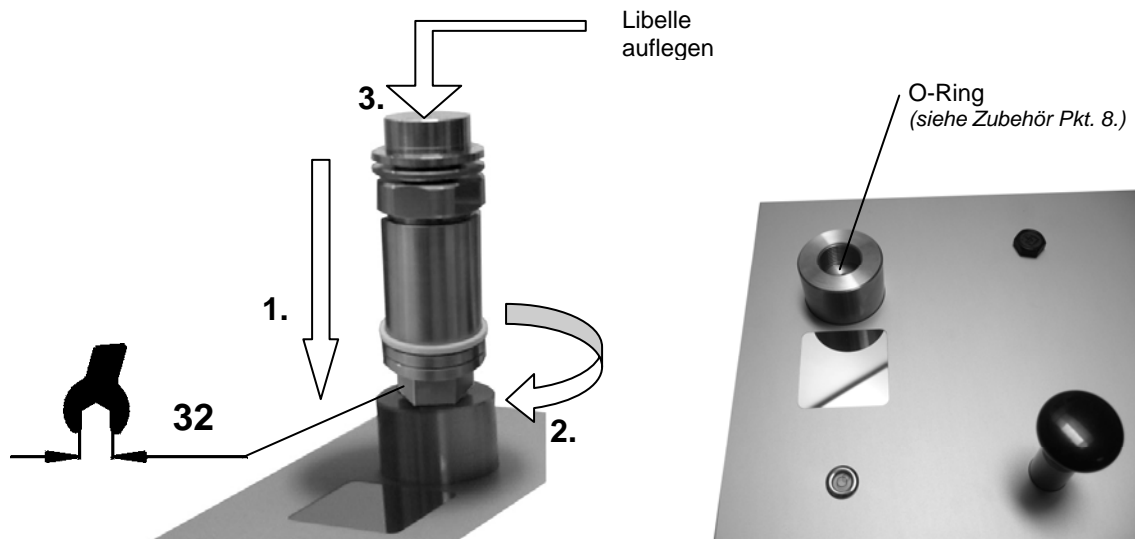
- Das Kolben-Zylinder-System wird vertikal in das Gewinde der Kolbenaufnahme eingesetzt und mit einem Gabelschlüssel mit SW 32 fest angezogen. Eine O-Ring-Dichtung ist bereits vorhanden. Sie benötigen kein zusätzliches Dichtmaterial.



Hinweis: Luft- und Öl-Systeme nicht vertauschen

Die O-Ring-Dichtung in der Aufnahme für das Kolben-Zylinder-System auf richtigen Sitz und Verschleiß überprüfen. Gegebenenfalls austauschen.

- Zum exakten Ausrichten des Gerätes kann die Libelle aus der Basisplatte herausgenommen werden und auf die Oberseite des eingespannten Kolben-Zylinder-Systems aufgelegt werden. Hierdurch ist die genaueste Referenzierung zum Kolben-Zylinder-System gegeben.



3.1.2.2 Kolbenaufnahme mit ConTect-Schnellverschluss



Vor Lösen des Verschlussstopfens im Basement, den drucklosen Zustand des Systems (Auslass-Ventil öffnen) sicherstellen.

- Das ConTect-System wird vertikal in den Schnellverschluss eingesetzt

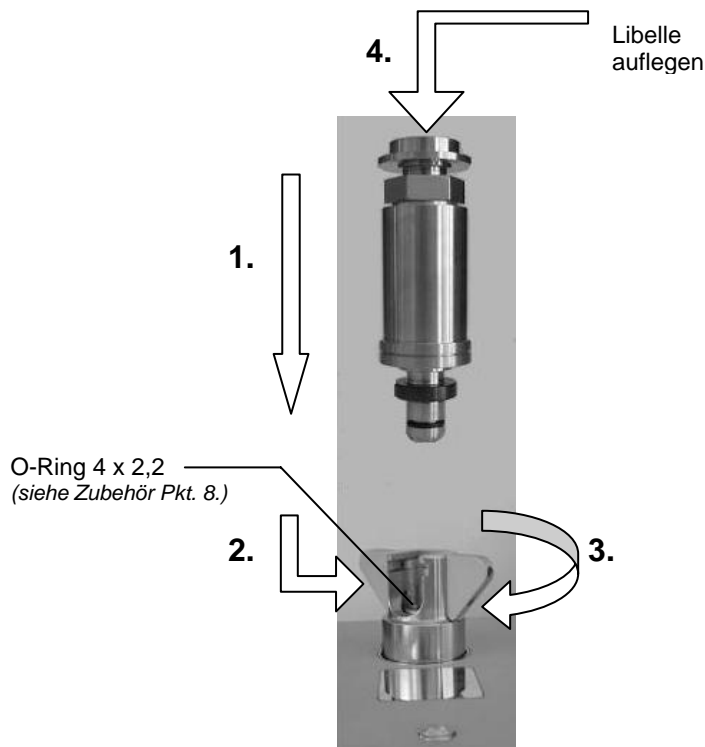


Hinweis: Luft- und Öl-Systeme nicht vertauschen



Die O-Ring-Dichtung in der Aufnahme für das ConTect-System auf richtigen Sitz und Verschleiß überprüfen. Gegebenenfalls austauschen.

- Durch ca. 1 1/2 Umdrehungen der Flügelschraube im Uhrzeigersinn (bis zum Anschlag), wird das System selbstdichtend eingeschraubt (handfest).
- Zum exakten Ausrichten des Gerätes kann die Libelle aus der Basisplatte herausgenommen werden und auf die Oberseite des eingespannten Kolben-Zylinder-Systems aufgelegt werden. Hierdurch ist die genaueste Referenzierung zum Kolben-Zylinder-System gegeben.

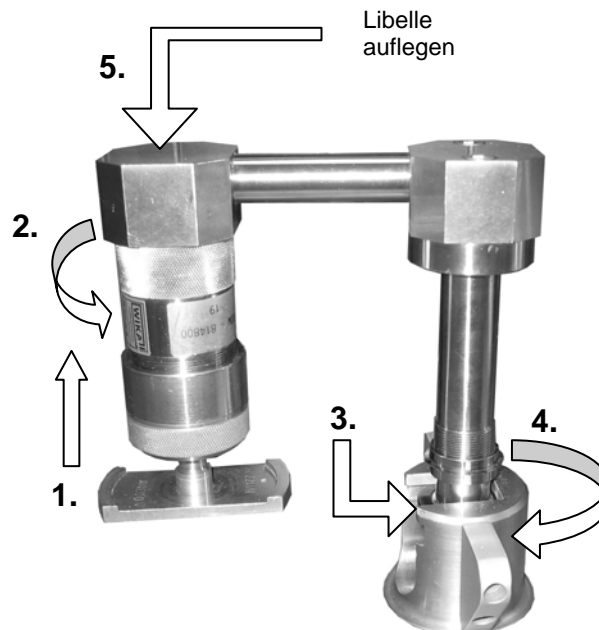


3.1.2.3 Vakuum Kolben-Zylinder-System



Das Vakuum Kolben-Zylinder-System kann nur in Kolbenaufnahmen mit ConTect-Schnellverschluss eingebaut werden.

- Kolben-Zylinder-System in Quertraverse einschrauben und handfest anziehen (Schritt 1 und 2).
- Quertraverse mit Kolben-Zylinder-System wird vertikal in den Schnellverschluss eingesetzt. (Schritt 3)
- Durch ca. 1 1/2 Umdrehungen der Flügelschraube im Uhrzeigersinn (bis zum Anschlag), wird das System selbstdichtend eingeschraubt (handfest). (Schritt 4)
- Zum exakten Ausrichten des Gerätes kann die Libelle aus der Basisplatte herausgenommen werden und auf die Oberseite des eingespannten Kolben-Zylinder-Systems aufgelegt werden. Hierdurch ist die genaueste Referenzierung zum Kolben-Zylinder-System gegeben. (Schritt 5)



3.1.2.4 Kolbenaufnahme mit integrierter Trennvorlage mit M30 x 2 Innengewinde



Vor Lösen des Verschlussstopfens der Kolbenaufnahme, den drucklosen Zustand des Systems (Auslass-Ventil öffnen) sicherstellen.

- Vor dem Aufspannen des Kolben-Zylinder-Systems muss die Trennvorlage entlüftet werden. Hierzu wird durch sehr vorsichtiges Öffnen und Schließen des integrierten Feindosierventils (Einlass-Ventil) der externe Versorgungsdruck eingelassen. Es wird solange Druck eingelassen bis Öl an der O-Ring-Dichtung der offenen Kolbenaufnahme ansteht. Das Auslass-Ventil muss dabei geschlossen sein und am Prüflinganschluss ein Blindstopfen eingeschraubt sein.



Für diesen Entlüftungsprozess ist es sinnvoll, den Versorgungsdruck auf einen sehr kleinen Druckwert einzustellen, um mit dem Einlass-Ventil möglichst vorsichtig und fein dosieren zu können.

Vor dem Entlüftungsprozess ist ggf. der Ölstand in der Trennvorlage zu kontrollieren und anzupassen. Hierzu ist nach Pkt. 3.1.1.2 vorzugehen.

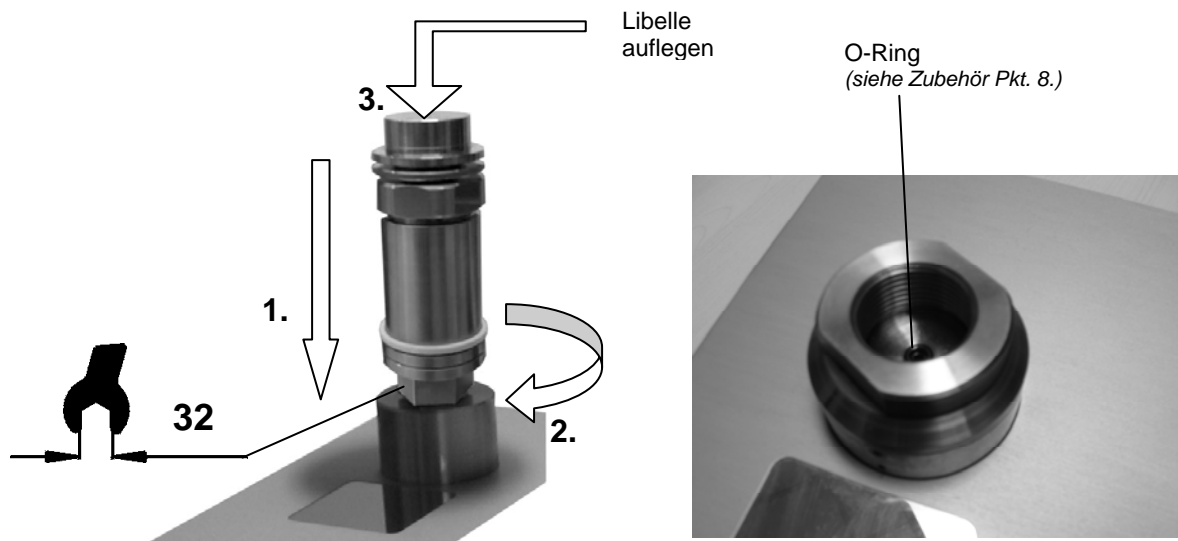
- Das Kolben-Zylinder-System wird anschließend vertikal in das Gewinde der Kolbenaufnahme eingesetzt und mit einem Gabelschlüssel mit SW 32 fest angezogen. Eine O-Ring-Dichtung ist bereits vorhanden. Sie benötigen kein zusätzliches Dichtmaterial.



Hinweis: Es dürfen nur hydraulische Kolben-Zylinder-Systeme verwendet werden.

Die O-Ring-Dichtung in der Aufnahme für das Kolben-Zylinder-System auf richtigen Sitz und Verschleiß überprüfen. Gegebenenfalls austauschen.

- Zum exakten Ausrichten des Gerätes kann die Libelle aus der Basisplatte herausgenommen werden und auf die Oberseite des eingespannten Kolben-Zylinder-Systems aufgelegt werden. Hierdurch ist die genaueste Referenzierung zum Kolben-Zylinder-System gegeben.



3.1.3 Anschluss des Prüflings

- Das zu überprüfende Gerät wird in den Schnellverschluss mit Rändelmutter eingesetzt und kann orientiert werden. Ein handfestes Anziehen reicht zum sicheren Abdichten aus.
- Um Geräte mit rückseitigem Anschluss zu kalibrieren, ist als Zubehör (siehe Punkt 8) ein Winkelanschlussstück erhältlich.

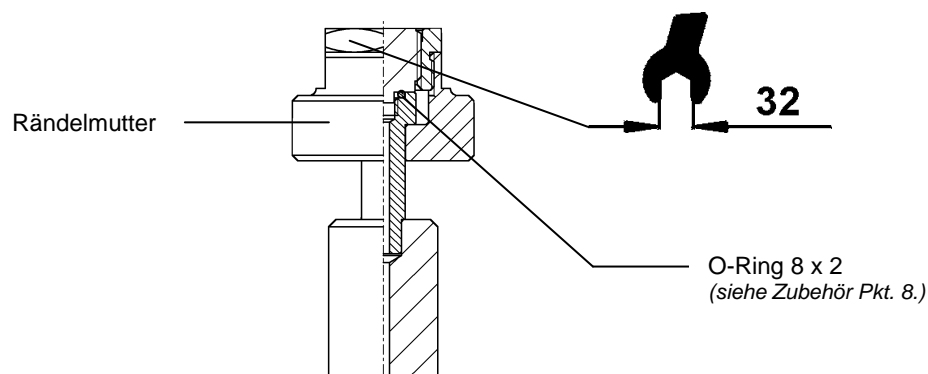


Die O-Ring-Dichtung im Prüflinganschluss auf richtigen Sitz und Verschleiß überprüfen. Gegebenenfalls austauschen. Es ist darauf zu achten, dass jedes Gerät, das angeschlossen wird, im Inneren sauber ist.

- Standardmäßig ist der Schnellverschluss mit Gewindeeinsatz G1/2 ausgestattet.



Bei Kalibrierung von Geräten mit anderen Anschlussgewinden, können die Gewindeeinsätze entsprechend ausgetauscht werden (siehe Zubehör „Adapterset“)



3.1.4 Entlüftung des Systems (nur Hydraulikausführung)

Nach dem Aufspannen von ConTect-System und Prüfling können sich Luftpneinschlüsse im System befinden. Das System kann vor dem Beginn der Kalibrierung durch folgende Vorgehensweise entlüftet werden:

- ConTect-System und Prüfling müssen aufgespannt sein und der komplette Massensatz auf das Kolben-Zylinder-System aufgelegt sein
- Über die Vordruckpumpe einen Druck von ca. 50 bar erzeugen
- Mit der Spindelpumpe den Druck bis knapp unter den Messbereichsendwert des ConTect-Systems bzw. des Prüflings (kleinerer Druckbereich ist entscheidend) erhöhen.



Wichtig: Das Kolben-Zylinder-System muss hierbei in seiner unteren Position bleiben, also noch nicht in den Schwebезustand gehen.

- Auslassventil öffnen, vorhandene Luftpneinschlüsse entweichen in den Tank

Gegebenenfalls ist dieser Vorgang 1-2 mal zu wiederholen, um sämtliche Luftpneinschlüsse zu entfernen.

Das Gerät ist nun einsatzbereit

3.2 Betrieb

3.2.1 Masseauflagen

- Je nach angestrebtem Druckwert, die entsprechenden Masseauflagen auf die Glocke stapeln.
- Typischerweise beginnend mit dem größten Gewicht, um einen möglichst tiefen Schwerpunkt zu erhalten.
- Jede Komponente ist mit einer fortlaufenden Nummer gekennzeichnet. Im Kalibrierschein ist zu jeder Nummer der resultierende Druck unter Referenzbedingungen aufgeführt.

Beispiel-Tabelle aus einem Kalibrierschein Seite 2:

Druckwerte der Gewichtsstücke / Pressure values of masses

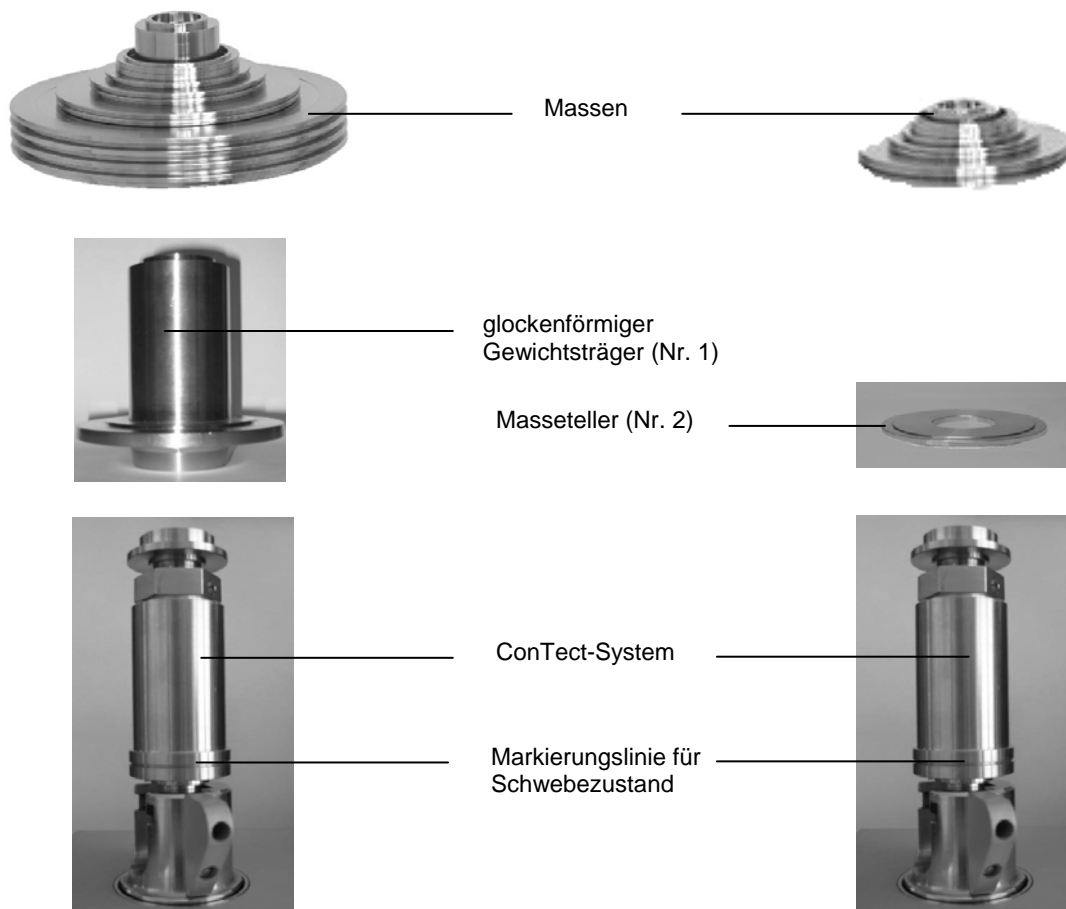
Bezeichnung des Gewichtsstückes <i>type of weight piece</i>	Nr. <i>no.</i>	wahre Masse <i>true mass</i> in kg	Druckwert für System <i>pressure value</i> for system in bar
Kolben / <i>piston</i>	1262	0,08160	0,4002
Glocke / <i>bell</i>	1	0,81560	3,9998
Teller / <i>plate</i>	2	0,05097	0,2499
Masse / <i>weight piece</i>	3	1,01954	5,0000
Masse / <i>weight piece</i>	4	1,01954	5,0000
Masse / <i>weight piece</i>	5	1,01954	5,0000
Masse / <i>weight piece</i>	6	1,01954	5,0000
Masse / <i>weight piece</i>	7	1,01954	5,0000
Masse / <i>weight piece</i>	8	1,01954	5,0000
Masse / <i>weight piece</i>	9	1,01954	5,0000
Masse / <i>weight piece</i>	10	1,01953	5,0000
Masse / <i>weight piece</i>	11	1,01952	4,9999
Masse / <i>weight piece</i>	12	0,50976	2,5000
Masse / <i>weight piece</i>	13	0,20391	1,0000
Masse / <i>weight piece</i>	14	0,20391	1,0000
Masse / <i>weight piece</i>	15	0,12234	0,6000
Masse / <i>weight piece</i>	16	0,10196	0,5000
Masse / <i>weight piece</i>	17	0,07137	0,3500
Masse / <i>weight piece</i>	18	0,05098	0,2500

Beispiel: Massenscheibe Nr. 5 erzeugt mit ihrem Gewicht von 1,01954 kg einen Druck von 5,0000 bar unter Referenzbedingungen (Umgebungstemperatur 20°C, Luftdruck 1013 mbar, relative Luftfeuchte 40 %)

- Der sich einstellende Druck entspricht dann der Summe aus der Grundlast (Kolben), Glocke sowie Masseringe.
- Zur Verringerung des Startwertes, kann statt der Glocke (Nr. 1), der Masseteller (Nr. 2) als Grundauflage eingesetzt werden

Masseauflage mit Glocke

Masseauflage mit Teller



3.2.2.1 Druckwert anfahren – Basement hydraulisch

- Bei Hydraulik-Systemen muss zuerst das System mit Öl gefüllt und vorkomprimiert werden.
- Hierzu ist das Auslass-Ventil zu schließen
- Danach mehrere Hübe mit der Vordruckpumpe ausführen – der Druck steigt auf max. ca. 50 bar (abhängig vom angeschlossenen Prüflingvolumen).
- Anschließend über die eingebaute Spindelpumpe im Uhrzeigersinn den Druck erhöhen.

3.2.2.2 Druckwert anfahren – Basement pneumatisch Niederdruck

- Die integrierte Vordruckpumpe dient zur Erzeugung von Drücken bis ca. 10 bar (abhängig vom angeschlossenen Prüflingvolumen).
- Hierzu ist das Auslass-Ventil zu schließen
- Mit Hilfe der Spindelpumpe kann in der Nähe des Druckwertes eine Feineinstellung vorgenommen werden.



Der zulässige Betriebsdruck beträgt bei der Ausführung pneumatisch Niederdruck maximal 10 bar. Größere Drücke können das Gerät beschädigen. Kolben-Zylinder-System, Prüfling und evtl. eingesetzte Verbindungsschläuche dürfen nicht durch unzulässig hohen Druck überlastet werden.

3.2.2.3 Druckwert anfahren – Basement pneumatisch Hochdruck / Vakuum

- Es muss eine externe Druckluftversorgung an der Geräterückseite angeschlossen sein.
- Durch leichtes Öffnen und Schließen des integrierten Feindosierventils (Einlass-Ventil) kann der externe Versorgungsdruck eingelassen werden.
- Hierzu ist das Auslass-Ventil zu schließen
- Mit Hilfe der Spindelpumpe kann in der Nähe des Druckwertes eine Feineinstellung vorgenommen werden.
- Für den Betrieb im Vakuum siehe Punkt 3.2.5.



Der zulässige Betriebsdruck beträgt bei der Ausführung pneumatisch Hochdruck / Vakuum maximal 100 bar. Größere Drücke können das Gerät beschädigen. Kolben-Zylinder-System, Prüfling und evtl. eingesetzte Verbindungsschläuche dürfen nicht durch unzulässig hohen Druck überlastet werden.

3.2.2.4 Druckwert anfahren – Basement pneumatisch mit Trennvorlage

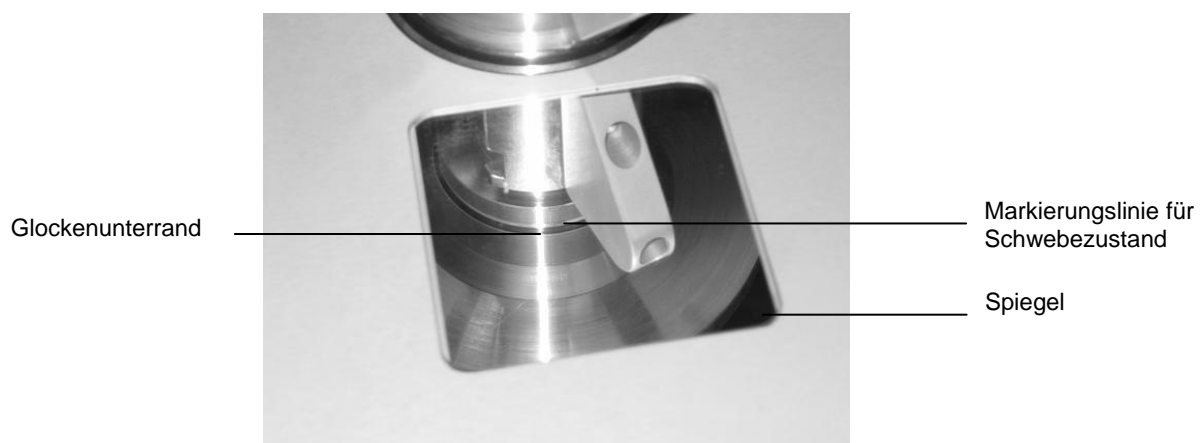
- Es muss eine externe Druckluftversorgung an der Geräterückseite angeschlossen sein.
- Durch leichtes Öffnen und Schließen des integrierten Feindosierventils (Einlass-Ventil) kann der externe Versorgungsdruck eingelassen werden.
- Hierzu ist das Auslass-Ventil zu schließen
- Das Einströmen der Luft bewirkt das Verdrängen des Öls in der Trennvorlage nach oben in das Kolben-Zylinder-System.
- Mit Hilfe der Spindelpumpe kann in der Nähe des Druckwertes eine Feineinstellung vorgenommen werden.



Der zulässige Betriebsdruck beträgt bei der Ausführung pneumatisch mit Trennvorlage maximal 400 bar. Größere Drücke können das Gerät beschädigen. Kolben-Zylinder-System, Prüfling und evtl. eingesetzte Verbindungsschläuche dürfen nicht durch unzulässig hohen Druck überlastet werden.

3.2.3 Druck stabil

- So lange Druck einlassen, bis sich das System im Gleichgewichtszustand befindet.
- Dieser Zustand kann mit Hilfe des Spiegels sehr gut abgelesen werden. Der Glockenunterrand muss in diesem Fall an der Markierungslinie des Kolben-Zylinder-Systems anliegen.





Kurz vor dem Schwebезustand steigt das System rasch an. Es empfiehlt sich daher, die Spindel nur langsam und gleichmäßig im Uhrzeigersinn zu drehen.

- Zur Minimierung von Reibungskräften wird das System an den Masseauflagen vorsichtig angestoßen und in eine Drehbewegung versetzt.



Das System darf niemals in Rotation versetzt werden, wenn sich der Kolben am oberen oder unteren Anschlag befindet.

- Der Kolben und damit auch der Prüfdruck steht nun mehrere Minuten stabil.

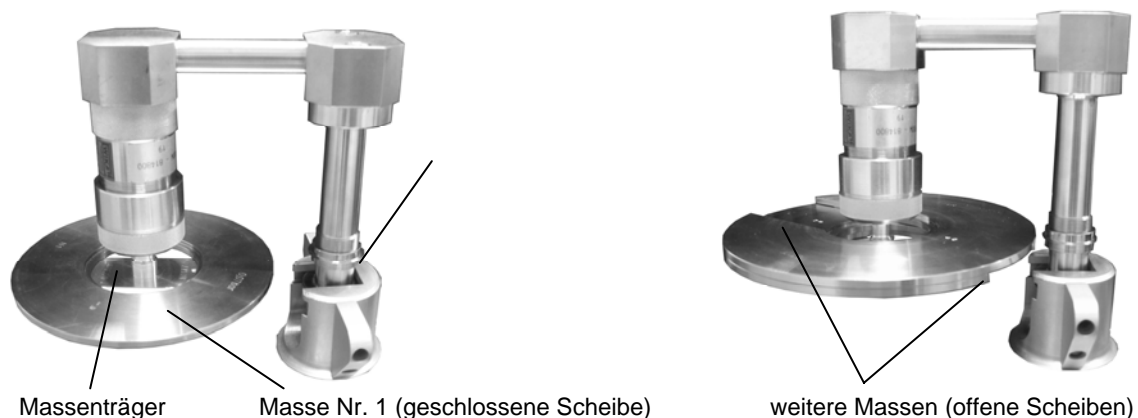
3.2.4 Nächste Druckstufe

- Zur Einstellung des nächst höheren Druckes, wiederholen sie die vorherigen Punkte 3.2.1 bis 3.2.3

3.2.5. Vakuumbetrieb

Die Erzeugung des Vakuums erfolgt ausschließlich über eine externe Vakuumquelle. Diese ist an der Geräterückseite anzuschließen. Das Vakuum kann über das Einlass- und Auslassventil dosiert werden. Die Feineinstellung erfolgt über die integrierte Spindelpumpe.

3.2.5.1 Massenauflagen für Vakuum



- Zuerst muss immer die Massenscheibe Nr. 1 (geschlossene Scheibe) auf den Massenträger aufgelegt werden. Der Zentrierbund an der Scheibe zeigt hierbei nach unten.
- Je nach angestrebten Druckwert, werden die weiteren Massenscheiben aufgelegt. Beim Aufeinanderstapeln der Scheiben ist darauf zu achten, dass die Öffnungen der Scheiben stets ca. 180° versetzt, also gegenüberliegend, positioniert werden.

3.2.5.2 Vakuumwert anfahren

- Es muss eine externe Vakuumquelle an der Geräterückseite angeschlossen sein.
- Die Spindelpumpe sollte vor der Messung komplett im Uhrzeigersinn eingedreht werden, um genügend Volumen für die Messung bereit zu stellen. Dabei ist das Auslass-Ventil zu öffnen.
- Über das integrierte Feindosierventil (Einlass-Ventil) kann das System mit der externen Vakuumpumpe evakuiert werden.
- Hierzu ist das Auslass-Ventil zu schließen
- Mit Hilfe der Spindelpumpe kann, in der Nähe des Druckwertes, eine Feineinstellung vorgenommen werden.

3.2.5.3 Vakuum stabil

- So lange evakuieren, bis sich das System im Gleichgewichtszustand befindet.
- Als Orientierungshilfe für den Schwebезustand (= ca. halber Kolbenhub) dient der verstellbare Ring an der Quertraverse des Kolben-Zylinder-Systems. Dieser kann beispielsweise im Schwebезustand auf die Höhe einer Ober- oder Unterkante einer Massenscheibe eingestellt werden.



Kurz vor dem Schwebезustand steigt das System rasch an. Daher ist die Spindel nur langsam und gleichmäßig gegen den Uhrzeigersinn zu drehen.

- Zur Minimierung von Reibungskräften wird das System an den Masseauflagen vorsichtig angestoßen und in eine Drehbewegung versetzt.



Das System darf niemals in Rotation versetzt werden, wenn sich der Kolben am oberen oder unteren Anschlag befindet.

- Der Kolben und damit auch der Prüfdruck steht nun mehrere Minuten stabil.

3.2.5.4 Nächste Vakuumstufe

- Zur Einstellung des nächst höheren Vakuumwertes, wiederholen sie die Punkte 3.2.5.2 bis 3.2.5.3

3.2.6 Druck entlasten – Hydraulik, Pneumatik und Vakuum

- Die Spindelpumpe im Gegen-Uhrzeigersinn drehen, um das System zu entlasten. Bei Vakuumbetrieb im Uhrzeigersinn drehen.
- Befindet sich der Druck in der Nähe der nächsten Prüfstufe, kann die Feineinstellung über das Spindelrad vorgenommen werden.
- Für schnellere Druckentlastung oder zur kompletten Entlüftung kann auch das Feindosierventil (Auslass-Ventil) vorsichtig geöffnet werden.



Achtung: Der Kolben darf hierbei nicht in der Schwebе sein!



**Vorsicht:
Der Kolben sinkt kurz vor dem Gleichgewichtszustand recht schnell ab.**



Vorsicht:
Die Massenscheiben dürfen unter Druck nicht vollständig vom Kolben-Zylinder-System entfernt werden.

- Bei der **Geräteausführung „pneumatisch mit integrierter Trennvorlage Luft auf Öl“** ist darauf zu achten, dass der Druck nur sehr langsam entlastet wird. Damit werden Verwirbelungen des Öls im Inneren der Trennvorlage und ein Zurücklaufen des Öls in die Druckleitung verhindert.

3.3 Abbau

- Nach Aufnahme aller Druckpunkte, das Einlassventil schließen und das Auslassventil öffnen.
- Jetzt kann der Prüfling vom Schnellspanner abgenommen werden und alle Massenscheiben vom Kolben-Zylinder-System entfernt werden.
- Ist ein weiterer Prüfling mit gleichem Messbereich vorhanden, kann das Kolben-Zylinder-System aufgespannt bleiben.
- Ansonsten wird empfohlen das System herauszunehmen und im Schutzbehälter zu verstauen.



Demontieren sie den Prüfling oder das Kolben-Zylinder-System erst, wenn der Druck im Kolbenmanometer vollständig abgebaut ist.

- Zum Abnehmen des Drehkreuzes von der Spindelpumpe ist das Federdruckstück mit Hilfe eines kleinen Schraubendrehers oder Kugelschreibers nach unten zu drücken. Jetzt kann das Drehkreuz nach vorne abgezogen werden.

Feder-
druckstück



- Zum Transportieren der **Geräteausführung „pneumatisch mit integrierter Trennvorlage Luft auf Öl“** sollte das Öl aus der Trennvorlage rückstandslos entfernt werden, siehe Pkt. 3.1.1.2.

4. Maßnahmen bei Störungen



Können Störungen mit der Hilfe der Betriebsanleitung nicht beseitigt werden, ist das Gerät unverzüglich außer Betrieb zu setzen und der Hersteller ist zu kontaktieren.

Reparaturen dürfen nur vom Hersteller durchgeführt werden. Eingriffe und Änderungen am Gerät durch den Betreiber sind unzulässig.

Bei Störungen, die auf Defekte an der pneumatischen/hydraulischen Ausrüstung zurückzuführen sind, muss das Bedienpersonal unverzüglich die Vorgesetzten informieren und qualifiziertes sowie autorisiertes Fachpersonal für Instandhaltung hinzuziehen.

Tabelle: Fehlerbeschreibung und Maßnahmen

Fehlerart	Maßnahmen
I. Kein Druckaufbau möglich / Leckage im System	<ul style="list-style-type: none"> ■ Auslass-Ventil richtig verschließen ■ Achtung: Die Feindosierventile dürfen nur fingerfest angezogen werden, sonst kann der Ventilsitz beschädigt werden. ■ Überprüfen Sie, ob die Dichtungen in der Aufnahme für das Kolben-Zylinder-System sowie für den Prüfling eingelegt und in Ordnung sind.
II. Kein Druckaufbau möglich bzw. Messbereichsendwert nicht erreichbar (nur bei Hydraulikausführung)	<ul style="list-style-type: none"> ■ Nach dem Aufspannen von Kolben-Zylinder-System und Prüfling können sich Lufteinschlüsse im System befinden. ■ Achtung: Das System sollte vor dem Beginn der Kalibrierung entlüftet werden. Hierbei ist wie unter Pkt. 3.1.4 beschrieben vorzugehen. ■ Danach Druck neu aufbauen
III. Langsames Absinken des Kolbens im Schwebezustand	<ul style="list-style-type: none"> ■ Leckage im System, siehe Punkt I. ■ Nach dem Aufspannen von Kolben-Zylinder-System und Prüfling können sich Lufteinschlüsse im System befinden (nur bei Hydraulikausführung), siehe Punkt II. ■ Danach Druck neu aufbauen
IV. Kolben dreht nicht oder reagiert unempfindlich	<ul style="list-style-type: none"> ■ Achtung: Dreht sich der Kolben nicht leichtgängig oder „quietscht“, keinesfalls unter Gewalteinwirkung drehen. Ansonsten entstehen bleibende Schäden, die die Messeigenschaften stark beeinflussen. ■ Kolben muss gereinigt werden (siehe Abschnitt 5.1.1)

Weitere Hilfe erhalten Sie durch die WIKA-Abteilung der Kalibriertechnik.

5. Pflege und Wartung

5.1 Reinigung

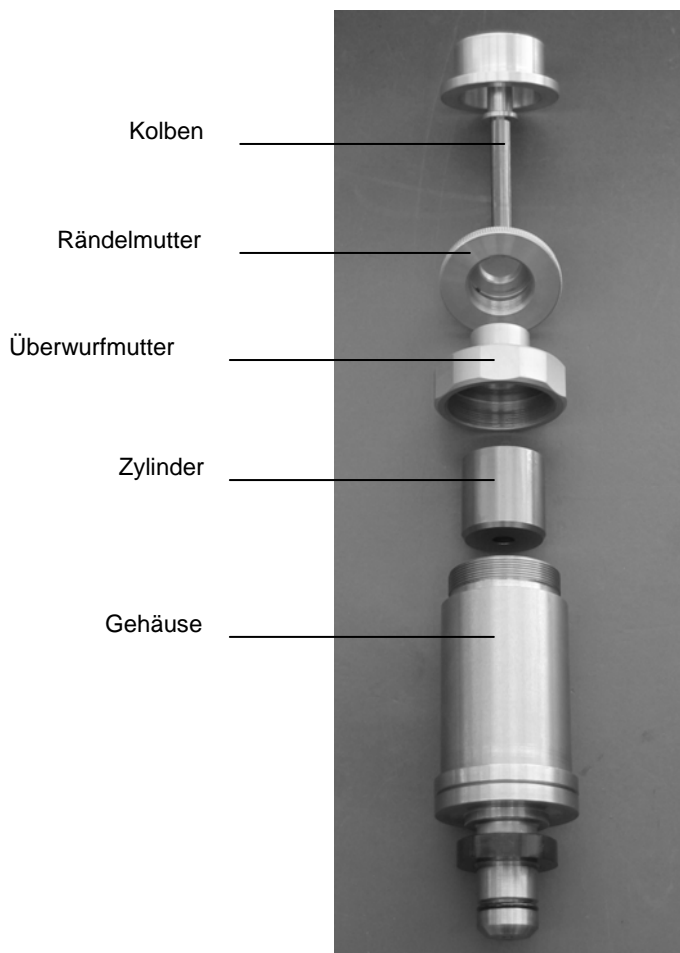
5.1.1 Kolben-Zylinder-System

Je nach Einsatz empfiehlt es sich, das Kolben-Zylinder-System bei Bedarf zu reinigen. Anzeichen hierfür sind schlechte Sensitivität oder kurze freie Drehdauer.

Dazu wird das Kolben-Zylinder-System vom Basement entfernt und unter Beachtung folgender Hinweise zerlegt.

5.1.1.1 Hydraulisches Kolben-Zylinder-System

Aufbau des Kolben-Zylinder-Systems (hydraulisch):



Zerlegen des hydraulischen Kolben-Zylinder-Systems:

- Die Rändelmutter vollständig lösen
- Der Kolben kann jetzt langsam und vorsichtig, senkrecht nach oben aus dem Zylinder gezogen werden. Dazu am besten die Kolben-Zylinder-Einheit auf einer Tischplatte abstellen und ruhig halten.
- Die Überwurfmutter abschrauben
- Der Zylinder kann aus dem Gehäuse entnommen werden

Reinigen des hydraulischen Kolben-Zylinder-Systems:

Zur Reinigung der Einzelteile gibt es verschiedene Möglichkeiten.

Die Empfehlung ist, die Teile mit einem mit Alkohol (z.B. Spiritus) getränkten, staubfreien, fussselfreien und weichen Tuch abzuwischen bzw. durch den Zylinder durchzuziehen. Danach mit einem trockenen, staubfreien, fussselfreien und weichen Tuch gut abtrocknen.

Wir empfehlen hierfür die Verwendung des im Zubehör erhältlichen Reinigungs-Sets für Kolben-Zylinder-Systeme (siehe Abschnitt 8. Zubehör). Hierin ist eine detaillierte Reinigungsanleitung enthalten.



Der gereinigte Kolben darf niemals mit bloßen Händen berührt werden. Das natürliche Hautfett kann zum Verkleben des Kolben-Zylinder-Systems führen.

Zusammenbau des hydraulischen Kolben-Zylinder-Systems:

Die Teile in umgekehrter Reihenfolge wieder zusammensetzen.

- Den Zylinder in das Gehäuse stecken (schräge Kante nach unten)
- Die Überwurfmutter aufschrauben
- Das System senkrecht auf die Tischplatte stellen und den Kolben vorsichtig von oben einführen. Er sollte aufgrund seines Eigengewichtes in den Zylinder „fallen“
- Die Rändelmutter wieder anziehen

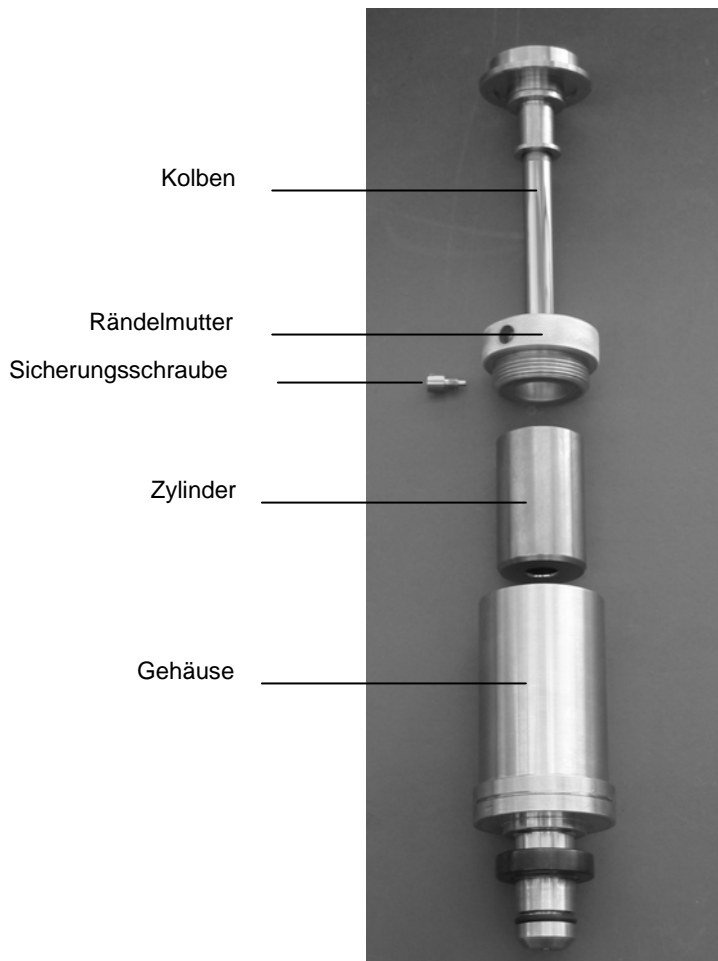


Der Kolben darf niemals gewaltsam in den Zylinder gedrückt werden, da er sonst beschädigt wird.

Das System ist wieder einsatzbereit.

5.1.1.2 Pneumatisches Kolben-Zylinder-System

Aufbau des Kolben-Zylinder-Systems (pneumatisch):



Zerlegen des pneumatischen Kolben-Zylinder-Systems:

- Seitliche Sicherungsschraube lösen
- Der Kolben kann jetzt langsam und vorsichtig, senkrecht nach oben aus dem Zylinder gezogen werden. Dazu am besten die Kolben-Zylinder-Einheit auf einer Tischplatte abstellen und ruhig halten.
- Die Rändelmutter abschrauben
- Der Zylinder kann aus dem Gehäuse entnommen werden

Reinigen des pneumatischen Kolben-Zylinder-Systems:

Zur Reinigung der Einzelteile gibt es verschiedene Möglichkeiten. Die Empfehlung ist, die Teile mit einem mit Alkohol (z.B. Spiritus) getränkten, staubfreien, fusselfreien und weichen Tuch abzuwischen bzw. durch den Zylinder durchzuziehen. Danach mit einem trockenen, staubfreien, fusselfreien und weichen Tuch gut abtrocknen.

Wir empfehlen hierfür die Verwendung des im Zubehör erhältlichen Reinigungs-Sets für Kolben-Zylinder-Systeme (siehe Abschnitt 8. Zubehör). Hierin ist eine detaillierte Reinigungsanleitung enthalten.



Der gereinigte Kolben darf niemals mit bloßen Händen berührt werden. Das natürliche Hautfett kann zum Verkleben des Kolben-Zylinder-Systems führen.

Zusammenbau des pneumatischen Kolben-Zylinder-Systems:

Die Teile in umgekehrter Reihenfolge wieder zusammensetzen.

- Den Zylinder in das Gehäuse stecken (schräge Kante nach unten)
- Die Rändelmutter aufschrauben
- Das System senkrecht auf die Tischplatte stellen und den Kolben vorsichtig von oben einführen. Er sollte aufgrund seines Eigengewichtes in den Zylinder „fallen“
- Seitliche Sicherungsschraube wieder einschrauben



Der Kolben darf niemals gewaltsam in den Zylinder gedrückt werden, da er sonst beschädigt wird.

Das System ist wieder einsatzbereit.

5.1.2 Massensatz

- Die Massen sollten nur mit Handschuhen angefasst werden.
- Sind trotzdem Fingerabdrücke oder andere Verschmutzungen an den Masseauflagen, können diese mit reinem Alkohol (Spiritus) entfernt werden.

5.2 Verschleißteile

O-Ringe in Aufnahme Kolben-Zylinder-System und Prüflingaufnahme unterliegen einem Verschleiß. Beide O-Ringe sind vor jeder Kalibrierung auf korrekten Sitz und Verschleiß zu prüfen. Die O-Ringe sind ggf. in regelmäßigen Zeitabständen oder bei Bedarf auszutauschen (siehe Zubehör Pkt. 8).



Wichtig: Es dürfen nur Original-Dichtungen verwendet werden. Dichtungen abweichender Maße oder Werkstoffe bzw. Materialhärten können zu Beschädigungen am Gerät und am Prüfling führen und stellen eine Gefahr für den Bediener dar.

5.3 Austausch des Hydrauliköls (nur bei Hydraulikausführung)

Das Hydrauliköl sollte bei sichtbarer Verunreinigung ausgetauscht werden.

5.3.1 Hydrauliköl entfernen

- Verschlusschraube mit Öleinfüllsymbol auf Basement-Oberseite öffnen
- Öl aus Tank z.B. mit einer geeigneten Spritze absaugen
- Kleine Restölmengen können bei geöffneter Aufnahme für Kolben-Zylinder-System und Prüflinganschluss und geschlossenem Auslassventil durch langsames Eindrehen der Spindelpumpe zusätzlich an den Anschlüssen abgesaugt werden
- Geringe Restölmengen können im Rohrleitungssystem zurückbleiben



Bei starker Verschmutzung des Hydrauliköls ist ggf. eine Komplettreinigung der Verrohrung und aller medienberührten Einzelkomponenten des Basements im demontierten Zustand zu empfehlen. Dieser Eingriff darf nur vom Hersteller durchgeführt werden.



Die Altölentsorgung muss gemäß den gesetzlichen Bestimmungen erfolgen.

5.3.2 Hydrauliköl einfüllen

- Spindelpumpe im Uhrzeigersinn bis zum vorderen Anschlag eindrehen
- Auslassventil schließen
- Verschlusschraube mit Öleinfüllsymbol auf Basementoberseite öffnen
- Spezialöl (1 Liter im Lieferumfang enthalten bzw. als Zubehör erhältlich) über die Tanköffnung einfüllen bis der Füllstand das Gewinde der Tanköffnung erreicht (ca. 250 ml). Die Füllhöhe ist hierbei stets zu beobachten.
- Spindelpumpe gegen den Uhrzeigersinn bis zum hinteren Anschlag herausdrehen. Das Füllmedium wird vom Tank in das System gesaugt.
- Tanköffnung mit Verschlusschraube schließen

5.3.3 Entlüftung des Systems (nur nach Komplettbefüllung)

Nach der Erstbefüllung oder nach einem kompletten Austausch des Öls können sich Lufteinschlüsse im System befinden. Das System sollte durch folgende Vorgehensweise entlüftet werden:

- Anschluss Kolben-Zylinder-System und Prüflinganschluss müssen offen sein
- Auslassventil schließen
- Spindelpumpe gegen den Uhrzeigersinn bis zum hinteren Anschlag herausdrehen
- Mit Vordruckpumpe vorsichtig pumpen und dabei das Füllmedium in den offenen Anschlüssen Kolben-Zylinder-System und Prüfling beobachten. Hier tritt die eingeschlossene Luft durch Blasenbildung nach außen. Die Vordruckpumpe ist so lange zu betätigen bis keine Luftblasen mehr auftauchen.
- Austretendes Öl in den offenen Anschlüssen Kolben-Zylinder-System und Prüfling mit z.B. einer Spritze absaugen.

5.4 Rekalibrierung

Die empfohlene Rekalibrierungsdauer beträgt: 5 Jahre

Hierbei handelt es sich um eine Empfehlung des Deutschen Kalibrierdienstes (DKD/DAkkS). Voraussetzung für dieses Intervall ist ein sorgsamer Umgang mit System und Massen. Sollten diese, bedingt durch rauhen Einsatz, Verschmutzungen oder Beschädigungen aufweisen, empfiehlt sich eine Verkürzung des Intervalls auf ca. drei Jahre.

Das Kolbenmanometer sollte sofort überholt und neu kalibriert werden, wenn:

- Die Laufeigenschaften des Kolbens sich verschlechtern (Drehdauer, Sinkrate, Sensitivität)
- Die Gewichte beschädigt sind oder korrodieren

Zur Rekalibrierung oder bei Fragen hinsichtlich des optimalen Rekalibrierungszyklus steht das DKD-Labor gerne zur Verfügung:

WIKA Alexander Wiegand SE & Co KG
DKD-Kalibrierlaboratorium
Alexander Wiegand Straße
63911 Klingenberg

Tel: 09372 / 132 – 473
Fax: 09372 / 132 - 8767
E-Mail: calibration@wika.de

6. Technische Daten

Ausführung		pneumatisch					
Messbereich ⁵⁾	bar ¹⁾	-0,03 ... -1	0,03 ... 2	0,2 ... 10	0,4 ... 50	0,4 ... 100	
Erforderliche Massen	kg	5	10	10	10	20	
Kleinster Step	bar ²⁾	0,01	0,01	0,05	0,25	0,25	
Nominale Kolbenquerschnittsfläche	cm ²	5	5	1	0,2	0,2	
Ausführung		pneumatisch					
Messbereich ⁵⁾	psi ¹⁾	-0,435 ... -14	0,435 ... 30	2,9 ... 150	5,8 ... 500	5,8 ... 1000	5,8 ... 1500
Erforderliche Massen	kg	5	10	10	7	13	20
Kleinster Step	psi ²⁾	0,1	0,2	1	5	5	5
Nominale Kolbenquerschnittsfläche	cm ²	5	5	1	0,2	0,2	0,2
Ausführung		hydraulisch					
Messbereich ⁵⁾	bar ¹⁾	0,2 ... 60	0,2 ... 100	1 ... 250	1 ... 400	2 ... 600	2 ... 1000
Erforderliche Massen	kg	30	50	25	40	30	50
Kleinster Step	bar ²⁾	0,1	0,1	0,5	0,5	1	1
Nominale Kolbenquerschnittsfläche	cm ²	0,5	0,5	0,1	0,1	0,05	0,05
Ausführung		hydraulisch					
Messbereich ⁵⁾	psi ¹⁾	2,9 ... 1000	14,5 ... 5000	29 ... 10000	29 ... 14500		
Erforderliche Massen	kg	34	34	34	50		
Kleinster Step	psi ²⁾	2	10	20	20		
Nominale Kolbenquerschnittsfläche	cm ²	0,5	0,1	0,05	0,05		
Genauigkeit ³⁾	% v. Messwert	0,015 / optional: 0,008 ⁴⁾					
Basementausführung		<ul style="list-style-type: none"> ■ pneumatisch Niederdruck bis max. 10 bar / 150 psi; mit interner Druckerzeugung ■ pneumatisch Hochdruck / Vakuum bis max. 100 bar / 1500 psi; für externe Versorgung und Vakuum ■ pneumatisch, mit Trennvorlage bis max. 400 bar / 5000 psi; für externe Versorgung mit integrierter Trennvorlage Luft auf Öl; für den Einsatz hydraulischer Kolben mit M30 x 2 Anschluss ■ hydraulisch bis max. 1000 bar / 14500 psi; mit interner Druckerzeugung bis max. 1200 bar / 17400 psi auf Anfrage 					
Anschluss am Kolben-Zylinder-System Prüflinganschluss		M30 x 2 Außengewinde / optional: ConTect-Schnellanschluss					
Druckübertragungsmedium	pneum. hydraul.	saubere, trockene, nicht korrosive Gase (z.B. Luft oder Stickstoff) Spezialöl (1 Liter im Lieferumfang enthalten), andere Medien auf Anfrage					
Ölvorratsbehälter	cm ³	250					
Externer Druckanschluss		6 mm SWAGELOK® Rohrverschraubung; max. 110 % des eingesetzten Messbereiches; nur bei Basementausführung pneumatisch Hochdruck / Vakuum und mit Trennvorlage					
Werkstoff		<ul style="list-style-type: none"> ■ Kolben Wolfram Carbid ■ Zylinder Wolfram Carbid ■ Massensatz CrNi-Stahl 1.4305 und Aluminium, nicht-magnetisch ■ Verrohrung im Basement pneumatisch Niederdruck: Kunststoffschlauch aus Polyurethan, 4 x 0,75 mm pneumatisch Hochdruck / Vakuum und mit Trennvorlage: CrNi-Stahl 1.4571, 3 x 1 mm hydraulisch: CrNi-Stahl 1.4404, 6 x 2 mm 					
Betriebstemperatur	°C	18 ... 28					

1) Theoretischer Startwert; entspricht dem durch den Kolben (aufgrund seines Eigengewichtes) erzeugten Druckwert. Zur Optimierung der Laufeigenschaften sollten weitere Massen aufgelegt werden.

2) Der kleinste Druckänderungswert, der aufgrund des Standardmassensatzes erreicht wird. Zur Reduzierung ist optional ein Feinmassensatz erhältlich.

3) Die Genauigkeit wird ab 10% des Messbereiches auf den Messwert bezogen. Im unteren Bereich gilt ein Festfehler, bezogen auf 10% des Bereiches

4) Messunsicherheit bei Referenzbedingungen (Umgebungstemperatur 20°C, Luftdruck 1013 mbar, relative Luftfeuchte 40 %). Bei Einsatz ohne CalibratorUnit müssen ggf. Korrekturen angebracht werden.

5) Andere auf Anfrage

Gewicht		
■ Basement pneumatisch Niederdruck	kg	18,0 / 19,0 (inkl. optionalem ConTect-Schnellverschluss)
■ Basement pneumatisch Hochdruck	kg	18,0 / 19,0 (inkl. optionalem ConTect-Schnellverschluss)
■ Basement pneumatisch Trennvorlage	kg	16,5
■ Basement hydraulisch	kg	20,5 / 21,5 (inkl. optionalem ConTect-Schnellverschluss)
■ Kolben-Zylinder-System	kg	1,5 / 5,7 (inkl. Glocke und Kolbenteller in optionalem Aufbewahrungskoffer)
■ BAR Vakuummassensatz	kg	13,1 kg (inkl. Kolben-Zylinder-System im Tragekoffer)
■ BAR Basismassensatz pneumatisch	kg	16,2 (inkl. Tragekoffer)
■ BAR Erweiterungs-massensatz pneumatisch	kg	14,0 (inkl. Tragekoffer)
■ BAR Basismassensatz hydraulisch	kg	36,0 (inkl. Tragekoffer)
■ BAR Erweiterungs-massensatz hydraulisch	kg	24,0 (inkl. Tragekoffer)
■ PSI Vakuummassensatz	kg	13,0 kg (inkl. Kolben-Zylinder-System im Tragekoffer)
■ PSI Basismassensatz pneumatisch	kg	12,5 (inkl. Tragekoffer)
■ PSI Erweiterungs-massensatz 1 pneumat.	kg	11,0 (inkl. Tragekoffer)
■ PSI Erweiterungs-massensatz 2 pneumat. (nur für 1500 psi)	kg	18,5 (inkl. Tragekoffer)
■ PSI Basismassensatz hydraulisch	kg	42,0 (inkl. Tragekoffer)
■ PSI Erweiterungs-massensatz hydraulisch	kg	21,5 (inkl. Tragekoffer)
Abmessungen		
■ Basement	mm	400 (B) x 375 (T) x 265 (H), Details siehe technische Zeichnung
■ Tragekoffer für Basismassensatz	mm	400 (B) x 310 (T) x 310 (H)
■ Tragekoffer für Erweiterungsmassensatz	mm	215 (B) x 310 (T) x 310 (H)
■ Tragekoffer für Kolben-Zylinder-System (optional)	mm	300 (B) x 265 (T) x 205 (H)
CE-Konformität		
■ Druckgeräterichtlinie		97/23/EG (Modul A) nur für Ausführung 1200 bar / 17400 psi
Kalibrierung		Werkskalibrierschein / optional: DKD/DAkKS-Kalibrierschein

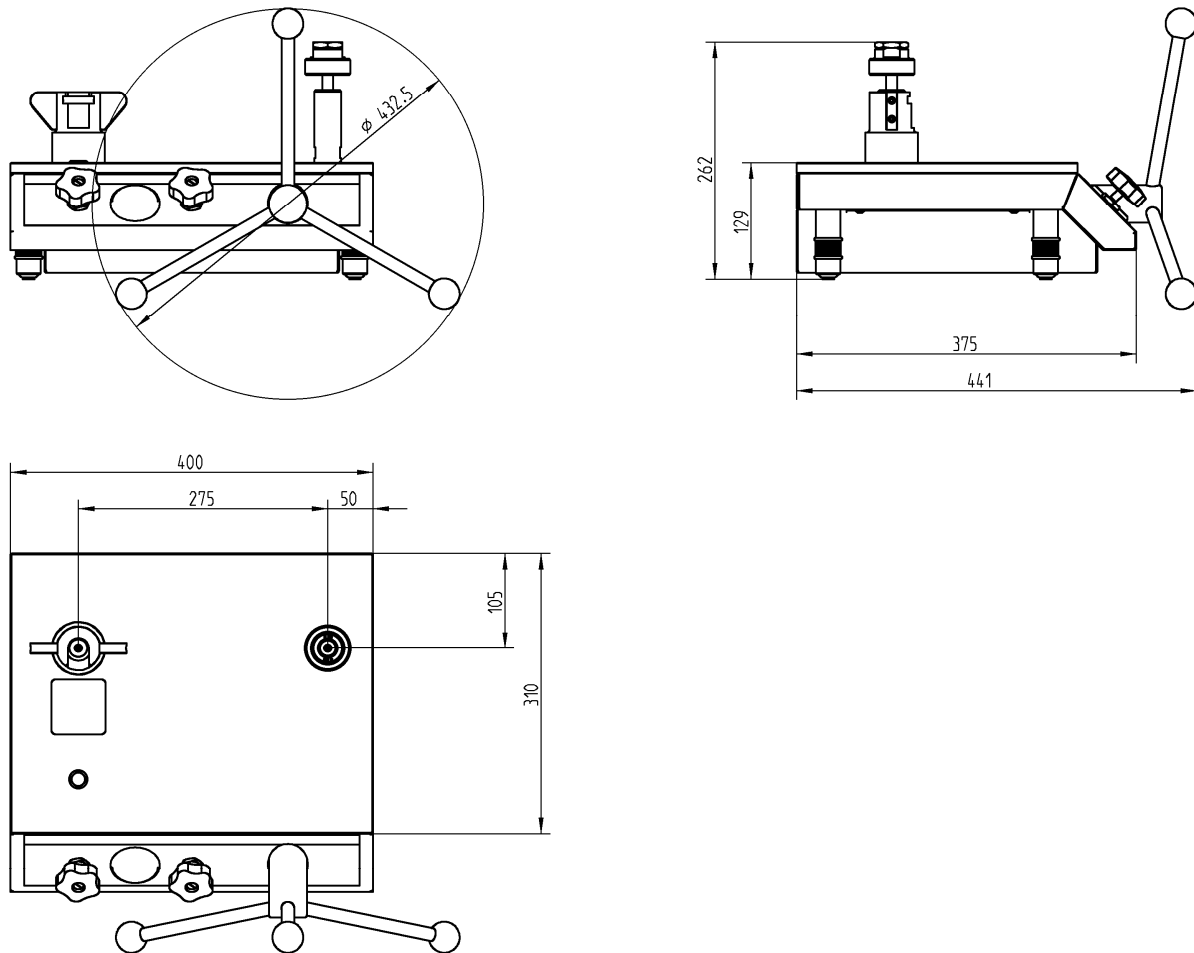
Standard-Lieferumfang

- Basement mit Staubschutzhaube
- Vordruckpumpe (nicht bei Basement pneumatisch Hochdruck / Vakuum und mit Trennvorlage)
- Spindelpumpe zum Druckaufbau / Feineinstellung
- Kolbenaufnahme mit M30 x 2 Innengewinde
- Schnellanschluss für Prüflinge
- Kolben-Zylinder-System mit Glocke
- Basismassensatz im Tragekoffer
- Erweiterungsmassensatz im Tragekoffer (abhängig vom Messbereich)
- Massensatz gefertigt auf Norm-Fallbeschleunigung von 9,80665 m/s²
- Spezialöl 1,0 Liter (nur für Hydraulik-ausführung) bzw. 0,25 Liter (für Trennvorlagenausführung)
- Betriebsanleitung in deutscher und englischer Sprache
- Werkskalibrierschein

Optionen

- Systeme mit erhöhter Genauigkeit bis 0,008 %
- Kolbenaufnahme mit ConTect-Schnellverschluss
- Aufbewahrungskoffer für Kolben-Zylinder-Systeme
- Massensatz gefertigt auf lokale Fallbeschleunigung
- DKD/DAkKS-Kalibrierschein

Abmessungen



Die Abbildung zeigt ein CPB5000 Basament pneumatisch Hochdruck mit der Option ConTect-Schnellverschluss. Die Ausführungen pneumatisch Niederdruck und hydraulisch unterscheiden sich davon maßlich nicht.

7. Gewichtstabellen

Die folgenden Tabellen zeigen für die jeweiligen Messbereiche die Anzahl der Massestücke innerhalb eines Massensatzes mit ihren nominalen Massewerten und den daraus resultierenden Nenndrücken.

Sollten Sie das Gerät nicht unter Referenzbedingungen einsetzen (Umgebungstemperatur 20°C, Luftdruck 1013 mbar, relative Luftfeuchte 40 %), sind die Korrekturen gemäß Punkt 2.3 zu berücksichtigen.

7.1 Hydraulische Modelle

Messbereich [bar]	0,2 ... 60		0,2 ... 100		1 ... 250		1 ... 400		2 ... 600		2 ... 1000	
	Anzahl	Nenndruck je Stück bar	Anzahl	Nenndruck je Stück bar	Anzahl	Nenndruck je Stück bar	Anzahl	Nenndruck je Stück bar	Anzahl	Nenndruck je Stück bar	Anzahl	Nenndruck je Stück bar
Kolben	1	0,2	1	0,2	1	1	1	1	1	2	1	2
Glocke	1	1,6	1	1,6	1	8	1	8	1	16	1	16
Kolbenteller	1	0,1	1	0,1	1	0,5	1	0,5	1	1	1	1
Masse 4 kg	6	8	11	8	5	40	11	40	6	80	11	80
Masse 2 kg	2	4	2	4	2	20	2	20	2	40	2	40
Masse 1 kg	1	2	1	2	1	10	1	10	1	20	1	20
Masse 0,5 kg	1	1	1	1	1	5	1	5	1	10	1	10
Masse 0,2 kg	1	0,4	1	0,4	1	2	1	2	1	4	1	4
Masse 0,1 kg	1	0,2	1	0,2	1	1	1	1	1	2	1	2
Masse 0,05 kg	1	0,1	1	0,1	1	0,5	1	0,5	1	1	1	1

Messbereich [psi]	2,9 ... 1000		14,5 ... 5000		29 ... 10000		29 ... 14500	
	Anzahl	Nenndruck je Stück psi	Anzahl	Nenndruck je Stück psi	Anzahl	Nenndruck je Stück psi	Anzahl	Nenndruck je Stück psi
Kolben	1	2,9	1	14,5	1	29	1	29
Glocke	1	23,1	1	115,5	1	231	1	231
Kolbenteller	1	1,1	1	5,5	1	11	1	11
Masse 3,5 kg	9	100	9	500	9	1000	14	1000
Masse 1,4 kg	1	40	1	200	1	400	1	400
Masse 1 kg	1	30	1	150	1	300	1	300
Masse 0,7 kg	2	20	2	100	2	200	2	200
Masse 0,35 kg	1	10	1	50	1	100	1	100
Masse 0,175 kg	1	5	1	25	1	50	1	50
Masse 0,14 kg	1	4	1	20	1	40	1	40
Masse 0,07 kg	1	2	1	10	1	20	1	20

7.2 Pneumatische Modelle

Messbereich [bar]	-0,03 ... -1		0,03 ... 2		0,2 ... 10		0,4 ... 50		0,4 ... 100	
	Anzahl	Nenndruck je Stück bar	Anzahl	Nenndruck je Stück bar	Anzahl	Nenndruck je Stück bar	Anzahl	Nenndruck je Stück bar	Anzahl	Nenndruck je Stück bar
Kolben	1	0,03	1	0,03	1	0,2	1	0,4	1	0,4
Glocke	-	-	1	0,16	1	0,8	1	4	1	4
Kolbenteller	1	0,07	1	0,01	1	0,05	1	0,25	1	0,25
Masse 2 kg	-	-	-	-	-	-	-	-	5	10
Masse 1 kg	-	-	9	0,2	9	1	9	5	9	5
Masse 0,5 kg	8	0,1	1	0,1	1	0,5	1	2,5	1	2,5
Masse 0,25 kg	1	0,05	-	-	-	-	-	-	-	-
Masse 0,2 kg	-	-	1	0,04	1	0,2	1	1	1	1
Masse 0,12 kg	-	-	1	0,024	1	0,12	1	0,6	1	0,6
Masse 0,1 kg	2	0,02	1	0,02	1	0,1	1	0,5	1	0,5
Masse 0,07 kg	-	-	1	0,014	1	0,07	1	0,35	1	0,35
Masse 0,05 kg	1	0,01	1	0,01	1	0,05	1	0,25	1	0,25

Messbereich [psi]	-0,435 ... -14		0,435 ... 30		2,9 ... 150		5,8 ... 500		5,8 ... 1000		5,8 ... 1500	
	Anzahl	Nenndruck je Stück psi	Anzahl	Nenndruck je Stück psi	Anzahl	Nenndruck je Stück psi	Anzahl	Nenndruck je Stück psi	Anzahl	Nenndruck je Stück psi	Anzahl	Nenndruck je Stück psi
Kolben	1	0,435	1	0,435	1	2,9	1	5,8	1	5,8	1	5,8
Glocke	-	-	1	2,22	1	11,1	1	55,5	1	55,5	1	55,5
Kolbenteller	1	0,565	1	0,22	1	1,1	1	5,5	1	5,5	1	5,5
Masse 1,4 kg	-	-	5	4	5	20	-	-	5	100	8	100
Masse 1 kg	-	-	2	3	2	15	2	75	2	75	2	75
Masse 0,7 kg	4	2	4	2	4	10	4	50	4	50	9	50
Masse 0,35 kg	4	1	3	1	3	5	3	25	3	25	3	25
Masse 0,19 kg	-	-	1	0,548	1	2,74	1	13,7	1	13,7	1	13,7
Masse 0,175 kg	1	0,5	-	-	-	-	-	-	-	-	-	-
Masse 0,14 kg	-	-	1	0,4	1	2	1	10	1	10	1	10
Masse 0,12 kg	-	-	1	0,345	1	1,725	1	8,625	1	8,625	1	8,625
Masse 0,07 kg	2	0,2	1	0,2	1	1	1	5	1	5	1	5
Masse 0,035 kg	1	0,1	-	-	-	-	-	-	-	-	-	-

8. Zubehör

CalibratorUnit Typ CPU 5000

Kompakter Rechner für den Einsatz mit einem Kolbenmanometer. Die CalibratorUnit CPU 5000 bestimmt die für den gewünschten Druck erforderlichen Masseauflagen. Optional werden kritische Umgebungsparameter erfasst und korrigiert sowie Druckmessumformer mit Hilfsenergie versorgt und deren Sensorsignal erfasst.



Technische Daten nach Datenblatt CT 35.01.

Folgende Ausführungen sind erhältlich:

Bezeichnung / Ausführung	Bestell-Nr.
CalibratorUnit CPU 5000 Basisversion	7261369
CalibratorUnit CPU 5000 Basisversion inkl. Metrology-Extension ¹⁾	7322031
CalibratorUnit CPU 5000 Basisversion inkl. Transmitter-Extension ²⁾	7432945
CalibratorUnit CPU 5000 Basisversion inkl. Visualisierungs-Extension ³⁾	7433046
CalibratorUnit CPU 5000 Basisversion inkl. Metrology- und Transmitter-Extension	12351199
CalibratorUnit CPU 5000 Basisversion inkl. Metrology- und Visualisierungs-Extension	7512329
CalibratorUnit CPU 5000 Basisversion inkl. Metrology-, Transmitter- und Visualisierungs-Extension	12168025

- 1) beinhaltet Sensoren für Kolbentemperatur (Messung direkt am System) und Umgebungsbedingungen (Temperatur, Luftdruck, Feuchte)
- 2) Messfunktion für analoge Druckmessumformer inkl. Spannungsversorgung DC 24 V
- 3) Abstandssensor zur berührungslosen Messung der Kolbenposition und Anzeige

Weiteres Zubehör

Bezeichnung / Ausführung	Bestell-Nr.
Feinmassensatz (1 mg – 50 g)	7093874
Adapterset für Schnellspannverschluss im Etui mit Gewindeeinsätzen G 1/4, G 3/8, 1/2 NPT, 1/4 NPT und M 20 x 1,5 zur Aufnahme in die Rändelmutter am Prüflinganschluss	2036941
Adapterset „NPT“ für Schnellspannverschluss im Etui mit Gewindeeinsätzen 1/8 NPT, 1/4 NPT, 3/8 NPT und 1/2 NPT zur Aufnahme in die Rändelmutter am Prüflinganschluss	12563626
Winkelanschlussstück 90°, für Prüflinge mit rückseitigem Anschluss	1564838
Trennvorlage, max. 1000 bar	1565389
Schmutzabscheider, -1/+1000 bar, Volumen 0,2 Liter	2015820
Schmutzabscheider, -1/+1000 bar, Volumen 0,03 Liter	2015714
O-Ring-Set bestehend aus 5 St. 8 x 2 und 5 St. 4 x 2,2	12328562
Spezialöl für CPB5000 bis max. 4000 bar, 1 Liter	2099882
Reinigungsset für ConTect-Systeme, pneumatisch	12485943
Reinigungsset für ConTect-Systeme, hydraulisch	12481425
Sonder-Prüflingaufnahme mit Schnellspannverschluss, zur Adaption in die ConTect-System Aufnahme, Betrieb als Vergleichsprüfpumpe möglich	2152634

Herstellereklärung
Richtlinie 97 / 23 / EG
"Druckgeräterichtlinie (DGRL)"

Declaration of the Manufacturer
Directive 97 / 23 / EC
"Pressure Equipment Directive
(PED)"

Déclaration du Fabricant
Directive 97 / 23 / CE
"Directive Equipements sous
Pression (DESP)"

Dokument Nr.:
7100801

Document No.:
7100801

Document N°
7100801

Wir erklären in alleiniger
Verantwortung, dass nach-
stehend genannte Produkte

We declare under our sole
responsibility, that the products

Nous déclarons sous notre propre
responsabilité que

Typ:
CPB5000

Model:
CPB5000

Type:
CPB5000

Beschreibung:
Kolbenmanometer

Description:
Pressure Balance

Description:
Équilibre à Pression

Gemäß gültigem Typenblatt
CT 31.01

according to the actual data sheet
CT 31.01

selon fiche technique en vigueur
CT 31.01

mit der Richtlinie übereinstimmen
und entsprechend geltender guter
Ingenieurpraxis ausgelegt und
gefertigt werden.

Correspond with the directive and
are designed and produced in
accordance with sound
engineering practice.

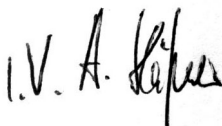
correspondent à la directive et
qu'ils ont été conçus et fabriqués
selon la
pratique d'ingénierie en cours

WIKA Alexander Wiegand GmbH & Co. KG

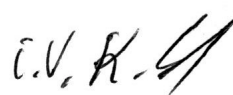
Klingenberg, 21. Februar 2006
Geschäftsbereich PI-PK
Company division PI-PK
Ressort PI-PK

Qualitätsmanagement PI-PK
Quality management PI-PK
Management de la qualité PI-PK

Alfred Häfner



Klaus Sand







WIKAI Alexander Wiegand SE & Co. KG
Alexander-Wiegand-Straße 30
63911 Klingenberg • Germany
Phone (+49) 93 72/132-0
Fax (+49) 93 72/132-406
E-Mail testequip@wika.de
www.wika.de