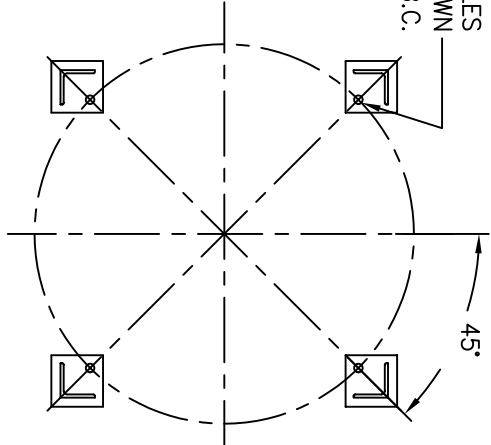


(4) 1" ϕ [22 ϕ] BOLT HOLES
LOCATED AS SHOWN
ON 44.13 ϕ [1121 ϕ] B.C.

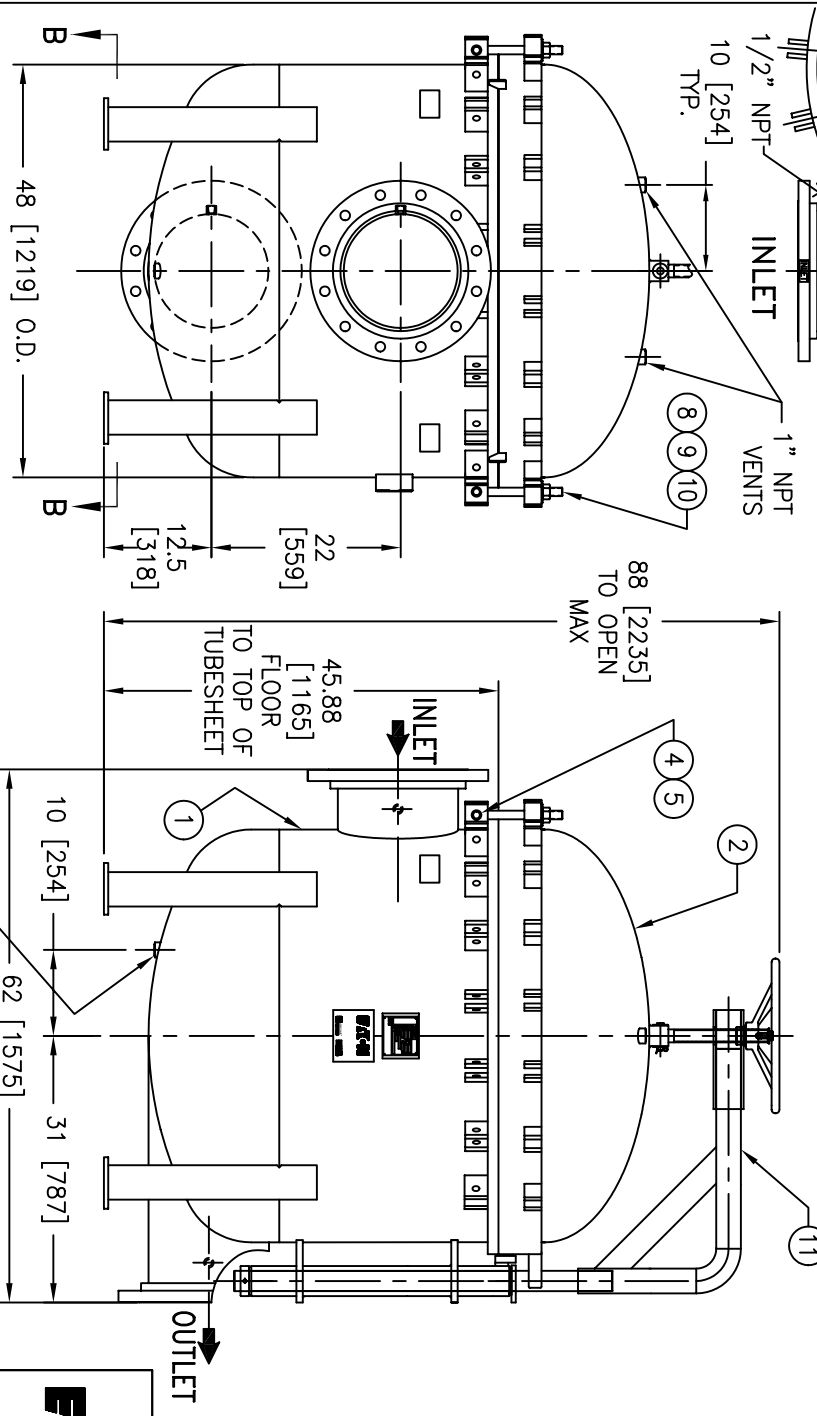


SECTION B-B

ITEM	PART NAME	MATERIAL
1	BODY	SA240 304/304L
2	COVER	SA240 304/304L
3	O-RING	BUNA-N
4	PIN	SA193 B7 ZINC PL
5	SNAP RING	STEEL ZINC PL
6	BASKET RESTRAINER	304 SS
7	FILTER BAG RETAINER	316 SS
8	EYE BOLT	SA193 B7 ZINC PL
9	HEX NUT	SA194 2H ZINC PL
10	WASHER	STEEL ZINC PL
11	DAVIT ASSEMBLY	CARBON STEEL

NOTES:

1. UNITS ARE TO BE DESIGNED, FABRICATED & "U" STAMPED IN ACCORDANCE WITH ASME SECT. VIII, DIV. 1 BOILER & PRESSURE VESSEL CODE, IN COMPLIANCE TO LATEST ADDENDA.
2. INLET / OUTLET FLANGE CONNECTIONS PER ANSI B 16.5.
3. DESIGN PRESSURE: 150 PSI (MAMP)
DESIGN TEMPERATURE 250° F.
MDMT - -20° F @ 150 PSI.
4. ALL DIMENSIONS ARE IN INCHES / (MM).
5. ALL BOLT HOLES ARE TO STRADDLE NATURAL CENTERLINES.
6. APPROX. WEIGHT (DRY) 2445 LB. (1109 KG.)



ELECTRONIC FILE NAME: HD2014TS-304.DWG
REF. ECR E370 DATE 12/13/06

UNAUTHORIZED USE, MANUFACTURE OR REPRODUCTION IN WHOLE OR IN PART IS PROHIBITED. DRAWING, DESIGN AND OTHER DISCLOSURES PROPERTY OF EATON FILTRATION, LLC

	EATON FILTRATION, LLC 900 FAIRMOUNT AVENUE, ELIZABETH, NEW JERSEY 07207	
	NAME: MAXILINE MBF2002HD FILTER VESSEL 14" #150# RF INLET / TANGENTIAL OUTLET STAINLESS STEEL-304	
DRAWN: FJM DATE: 12/13/06 CERT: LH DATE: 12/13/06	SIZE: A DWG NO: HD2014TS-304	REV: A

CERTIFIED FOR:
P.O. NO.:
SALES ORDER NO.:
QUOTE NO.:
TAG NO.:
VESSEL CODE: MBF-2002-BB10-140A-UT-11HD
PART NUMBER: F3AY20000003-304