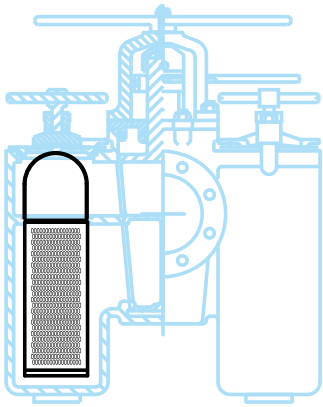
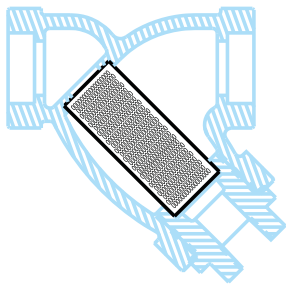


Basic Sizing Guidelines

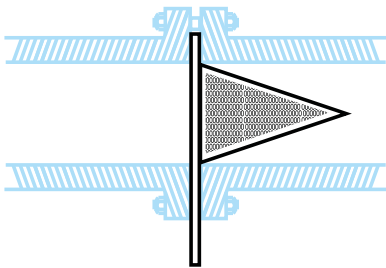
1. Ensure that the pipeline flow velocity falls within the standard design range of the strainer.
2. Select the correct screen and opening size, do not make smaller than necessary.
3. The quantity, type, and nature of debris to be removed are considered.
4. The strainer meets the design pressure and temperature requirements of the pipeline.



Partial cutaway of plug type duplex strainer showing basket in position

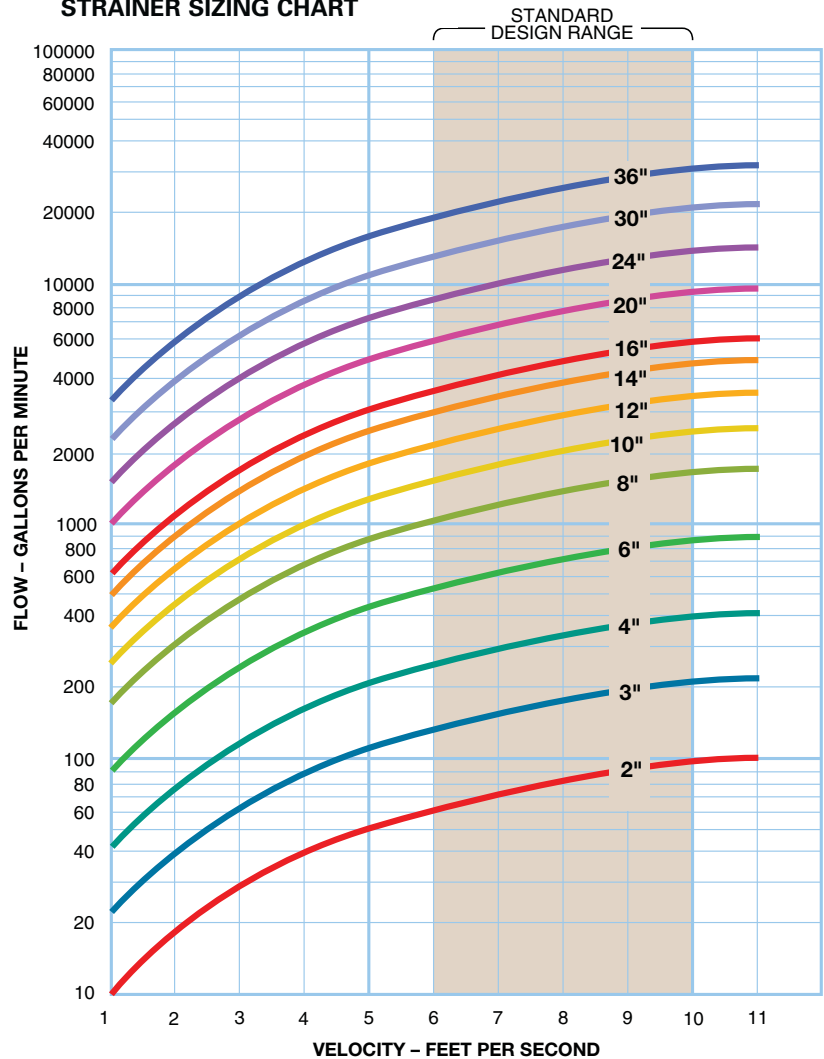


Cutaway of Y strainer shows strainer screen in position



Cone type temporary strainer is shown bolted between two pipe flanges

STRAINER SIZING CHART



Eaton
North America – HQ
 44 Apple Street,
 Tinton Falls, NJ 07724

Toll Free: 800 656-3344
 (North America only)

Voice: +1 732 212-4700
 Fax: 952 906-3706

Eaton Brazil
 Voice: +55 11 2465 8822

Eaton China
 Voice: +86-21 5200 0422

Eaton Europe/Africa/Middle East
 Voice: +49-2486-809-0

Eaton Singapore
 Voice: +65 6825-1668

©2013 Eaton Corporation. All Rights Reserved. All trademarks and registered trademarks are the property of their respective owners. LITHO USA. All information and recommendations appearing in this brochure concerning the use of products described herein are based on tests believed to be reliable. However, it is the user's responsibility to determine the suitability for his own use of such products. Since the actual use by others is beyond our control, no guarantee, expressed or implied, is made by Eaton as to the effects of such use or the results to be obtained. Eaton assumes no liability arising out of the use by others of such products. Nor is the information herein to be construed as absolutely complete, since additional information may be necessary or desirable when particular or exceptional conditions or circumstances exist or because of applicable laws or government regulations.

For more information, e-mail us at
filtration@eaton.com

Visit us online at eaton.com/filtration for a complete list of Eaton's filtration products.



Powering Business Worldwide

