

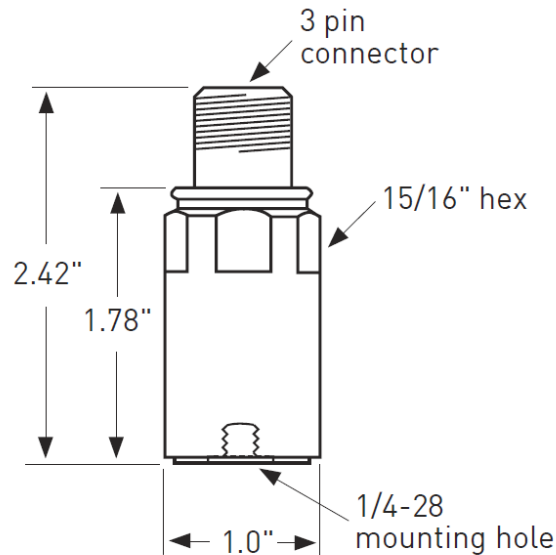
General purpose accelerometer with internal temperature sensor

793T-3



Key features

- Senses both acceleration and temperature
- Ground isolated
- Rugged design
- Hermetically sealed
- ESD protection
- Reverse wiring protection



Certifications



Connections	
Function	Connector pin
accelerometer power/signal	A
accelerometer/temperature sensor common	B
temperature sensor power/signal	C
ground	shell

Note: Due to continuous process improvement, specifications are subject to change without notice.
This document is cleared for public release.

Wilcoxon Sensing Technologies
20511 Seneca Meadows Parkway
Germantown, MD 20876
info@wilcoxon.com

Tel: (301) 330 8811
Fax: (301) 330 8873
www.wilcoxon.com

Wilcoxon Sensing Technologies
An Amphenol Company

General purpose accelerometer with internal temperature sensor

793T-3

SPECIFICATIONS

Sensitivity, $\pm 5\%$, 25° C	100 mV/g
Acceleration range	80 g peak
Amplitude nonlinearity	1%
Frequency response:	
$\pm 5\%$	1.5 - 5,000 Hz
$\pm 10\%$	1.0 - 7,000 Hz
± 3 dB	0.5 - 15,000 Hz
Resonance frequency	24 kHz
Transverse sensitivity, max	5% of axial
Temperature response:	
-50° C	-10%
+120° C	+5%
Temperature output sensitivity, $\pm 5\%$	10 mV/°K
Temperature measurement range	223 to 390° K (-50 to 120° C)
Voltage source	Temperature sensor: 18 - 30 VDC Accelerometer: 18 - 30 VDC
Current regulating diode	Temperature sensor: 2 - 4 mA Accelerometer: 2 - 10 mA
Electrical noise, equiv. g:	
Broadband	2.5 Hz to 25 kHz
Spectral	10 Hz
	100 Hz
	1,000 Hz
	600 μ g
	8 μ g/ $\sqrt{\text{Hz}}$
	5 μ g/ $\sqrt{\text{Hz}}$
	5 μ g/ $\sqrt{\text{Hz}}$
Output impedance, max	100 Ω
Bias output voltage	12 VDC
Grounding	case isolated, internally shielded
Temperature range	-50 to +120° C
Vibration limit	500 g peak
Shock limit	5,000 g
Electromagnetic sensitivity, equiv. g	10 μ g/gauss
Sealing	hermetic
Base strain sensitivity	0.0005 g/ μ strain
Sensing element design	PZT ceramic / compression
Weight	115 grams
Case material	316L stainless steel
Mounting	1/4-28 tapped hole
Output connector	3 pin, MIL-C-5015 style
Mating connector	R6G type
Recommended cabling	J9T3A

Note: Due to continuous process improvement, specifications are subject to change without notice.
This document is cleared for public release.

Contact

Wilcoxon Sensing
Technologies

20511 Seneca Meadows Parkway
Germantown, MD 20876 USA

Tel: +1 301 330 8811
Fax: +1 301 330 8873

info@wilcoxon.com

www.wilcoxon.com

Accessories supplied:

- Calibration data (level 3)
- SF6 mounting stud (metric mounting available)

Wilcoxon Sensing Technologies
20511 Seneca Meadows Parkway
Germantown, MD 20876
info@wilcoxon.com

Tel: (301) 330 8811
Fax: (301) 330 8873
www.wilcoxon.com

Wilcoxon Sensing Technologies
An Amphenol Company