

Enclosed Plate and Frame Filter BECO INTEGRA® PLATE A1000 EP

Hermetically enclosed depth filtration system with stainless steel chassis and plastic filter plates

BECO INTEGRA PLATE A1000 EP enclosed plate and frame filter is the depth filtration system for critical filtration tasks in the pharmaceutical and biotech, chemical, cosmetics, and food industries.

BECO INTEGRA PLATE A1000 EP is a multi-sheet filter with external chamber. Depth filter sheets seal the product channels. Gaskets at the external chamber seal the entire filter package.



Special Features

- CIP of filter package without depth filter sheets
- Complete drainage of filter due to special filter plate design
- Safe operation: No drip loss due to sealed external chamber and automatic hydraulic pressure regulation
- Easy handling and good cleanability thanks to ergonomic design of chassis, and open support grid of filter plates; cake discharge downwards into tray underneath of filter package
- High flexibility: The filter can be used as a sheet filter or as a pre-coat filter. For pre-coating/removing of high particle load, cake frames in different widths are available
- BECO INTEGRA PLATE A1000 EP filter is designed and manufactured according to the cGMP guidelines and the FDA regulations

Customization or additional components allow for system expansion or complete systems according to customer specifications



Technical Data

Operating pressure/temperature:	max. 72 psi (500 kPa/5 bar) at 104°F (40°C) max. 29 psi (200 kPa/2 bar) at 140°F (60°C)
Differential pressure/temperature:	max. 43 psid (300 kPa/3 bar) at 104 F (40°C)
Filter area per sheet:	8.07 ft² (0.75 m²)

Materials

Product contacting parts:	Polypropylene/Stainless Steel AISI 316L
Other parts:	Stainless Steel AISI 304
Gaskets/O-rings:	Silicone, EPDM (FDA listed), Viton



Powering Business Worldwide

Type	Filter area		Cake volume*		Chassis size	Filter plates/ cake frames	Depth filter sheets 680 x 779 mm	Weight for Standard Type		
	ft ²	(m ²)	gal	(l)				qty	qty	≈ lb
A1000 SF plate and frame filter	500.52	(46.50)	91.93	(348)	1	30/31	62	14,548	(6,599)	
	791.15	(73.50)	145.56	(551)	2	48/49	98	16,448	(7,461)	
	with 0.79" (20 mm) cake frames	1,081.77	(100.50)	198.92	(753)	3	66/67	134	18,571	(8,424)
		1,372.40	(127.50)	252.55	(956)	4	84/85	170	20,472	(9,286)
A1000 ASF frame filter	419.80	(39.00)	128.65	(487)	1	25/26	52	14,422	(6,542)	
	661.98	(61.50)	202.88	(768)	2	40/41	82	16,241	(7,367)	
	with 1.18" (30 mm) cake frames	920.31	(85.50)	282.14	(1,068)	3	56/57	114	18,375	(8,335)
		1,162.50	(108.00)	356.63	(1,350)	4	71/72	144	20,194	(9,160)
A1000 ASF frame filter	371.35	(34.50)	159.30	(603)	1	22/23	46	14,391	(6,528)	
	581.25	(54.00)	249.64	(945)	2	35/36	72	16,164	(7,332)	
	with 1.57" (40 mm) cake frames	791.15	(73.50)	339.73	(1,286)	3	48/49	98	18,157	(8,236)
		1,001.04	(93.00)	429.81	(1,627)	4	61/62	124	19,929	(9,040)

* usable cake volume

Filter Plates/Cake Frames

	Width		Cake volume*		Weight	
	in	(mm)	gal	(l)	lb	(kg)
Initial/End plate	1.10	(28)			67.9	(30.8)
Filter plate	1.10	(28)			61.3	(27.8)
Cake frame	0.79	(20)	2.97	(11.25)	22.3	(10.1)
Cake frame	1.18	(30)	4.95	(18.75)	33.5	(15.2)
Cake frame	1.57	(40)	6,93	(26.25)	44.5	(20.2)

* usable cake volume

Connections

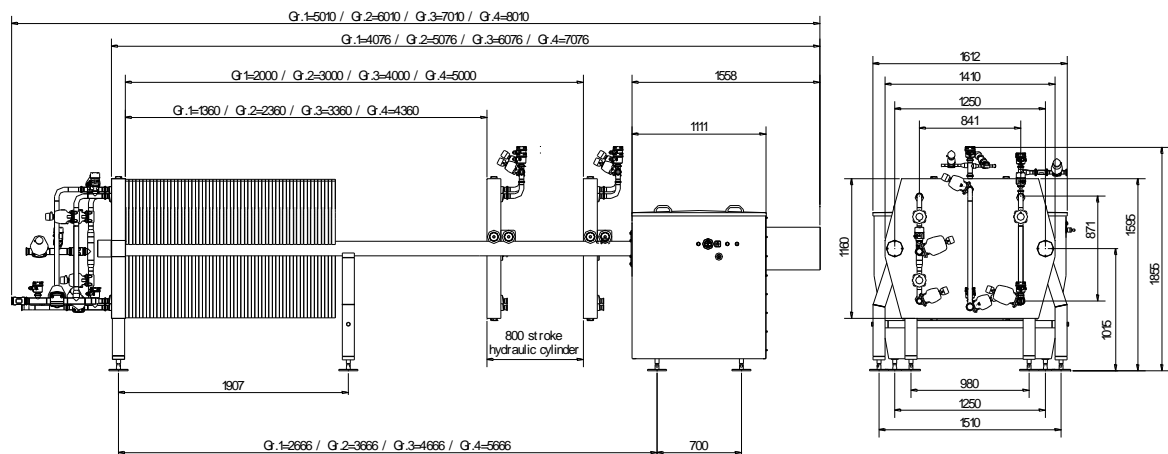
Filter inlet:	TC 2,5" ISO2852/ASME BSP
Filter outlet:	TC 2,5" ISO2852/ASME BSP
External chamber:	TC 2,5" ISO2852/ASME BSP

Other Connections

Threaded connections according to DIN 1151/11864

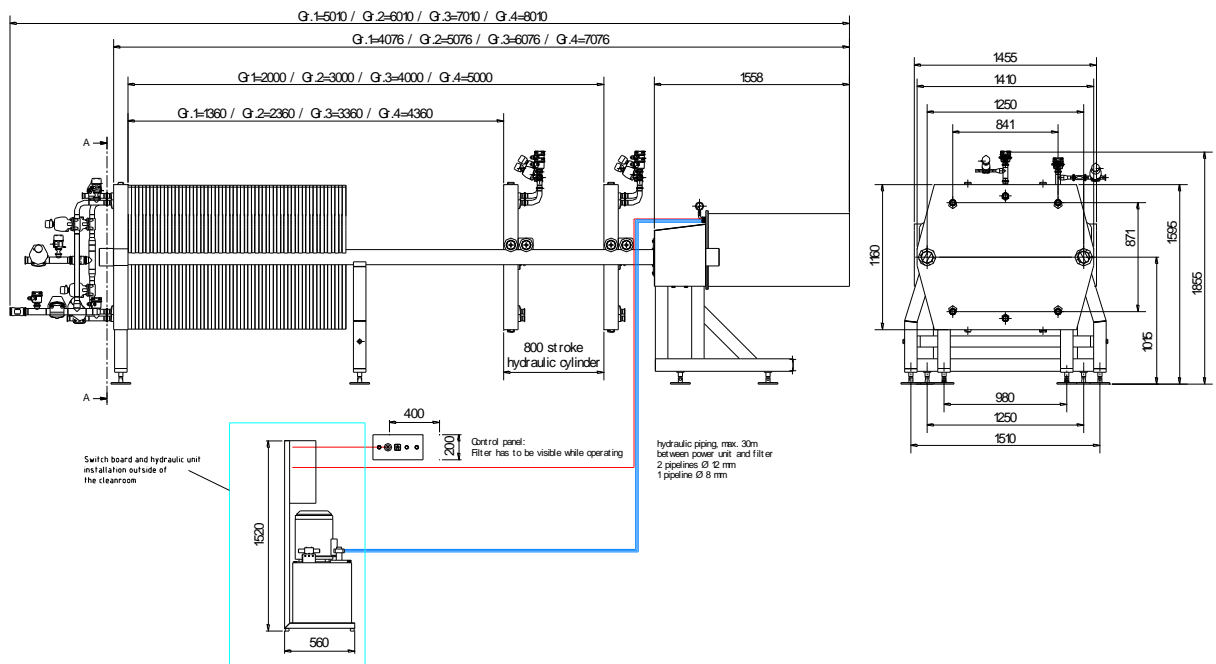
Standard type in compact design

The chassis length is always adapted to the necessary requirements.



Sanitary design for the installation in cleanroom

The chassis length is always adapted to the necessary requirements.



North America
44 Apple Street
Tinton Falls, NJ 07724
Toll Free: 800 656-3344
(North America only)
Tel: +1 732 212-4700

Greater China
No. 7, Lane 280,
Linhong Road
Changning District, 200335
Shanghai, P.R. China
Tel: +86 21 5200-0099

Europe/Africa/Middle East
Auf der Heide 2
53947 Nettersheim, Germany
Tel: +49 2486 809-0

Friedensstraße 41
68804 Altlußheim, Germany
Tel: +49 6205 2094-0

An den Nahewiesen 24
55450 Langenlonsheim, Germany
Tel: +49 6704 204-0

Asia-Pacific
100G Pasir Panjang Road
#07-08 Interlocal Centre
Singapore 118523
Tel: +65 6825-1668

**For more information, please
email us at filtration@eaton.com
or visit www.eaton.com/filtration**

EN
1A2611.10
07-2021

© 2021 Eaton. All rights reserved. All trademarks and registered trademarks are the property of their respective owners. All information and recommendations appearing in this brochure concerning the use of products described herein are based on tests believed to be reliable. However, it is the user's responsibility to determine the suitability for his own use of such products. Since the actual use by others is beyond our control, no guarantee, expressed or implied, is made by Eaton as to the effects of such use or the results to be obtained. Eaton assumes no liability arising out of the use by others of such products. Nor is the information herein to be construed as absolutely complete, since additional information may be necessary or desirable when particular or exceptional conditions or circumstances exist or because of applicable laws or government regulations.