

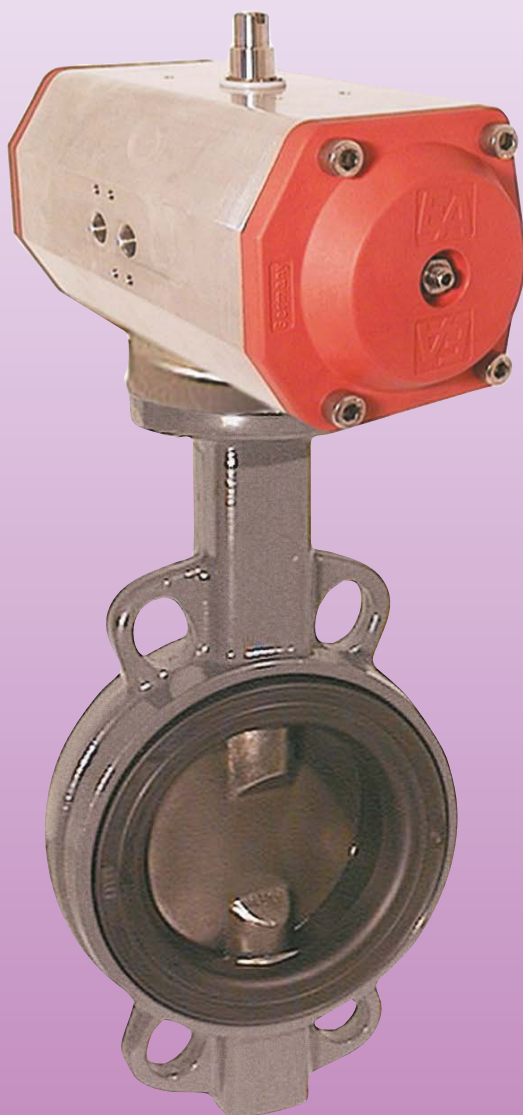


## Butterfly Isolating Valves with Pneumatic Actuator



measuring  
•  
monitoring  
•  
analysing

### KLP-TA



- $p_{\max}$ : PN 16;  $t_{\max}$ : +160 °C
- Connections:  
flanges DN 40 ... DN 300
- Pilot pressure: 6 ... 8 bar
- Double acting or  
spring return
- Housing:  
GGG-40, aluminium
- Butterfly disc:  
stainless steel, steel
- Seals:  
EPDM, FKM



Z1

KOBOLD companies worldwide:

ARGENTINA, AUSTRIA, BELGIUM, BULGARIA, CANADA, CHILE, CHINA, COLOMBIA, CZECHIA, DOMINICAN REPUBLIC, EGYPT, FRANCE, GERMANY, GREAT BRITAIN, HUNGARY, INDIA, INDONESIA, ITALY, MALAYSIA, MEXICO, NETHERLANDS, PERU, POLAND, ROMANIA, SINGAPORE, SOUTH KOREA, SPAIN, SWITZERLAND, TAIWAN, THAILAND, TUNISIA, TURKEY, USA, VIETNAM

KOBOLD Messring GmbH  
Nordring 22-24  
D-65719 Hofheim/Ts.  
Head Office:  
+49(0)6192 299-0  
+49(0)6192 23398  
info.de@kobold.com  
www.kobold.com



## Butterfly Isolating Valve with Pneumatic Actuator, Metal Housing Model KLP-TA

### Design

One-piece construction, for mounting between two flanges.  
 Operation: pneumatic, single or double acting  
 Pilot pressure: 6 ... 8 bar  
 Pilot media: filtered air  
 Mounting position: any  
 Options: 3/2-way or 5/2-way solenoid valve;  
 electric /mechanic switches

### Materials

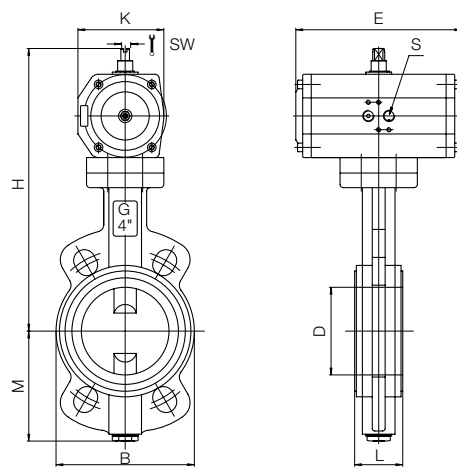
Housing: GGG-40, aluminum alloy  
 Disc: 1.4408, St C22 (KLP-TAH only)  
 Shaft seal: NBR  
 Shaft: stainless steel 1.4016  
 Bushing: bronze  
 Sleeve: EPDM, FKM



### Technical Data for valve

Connections: Flansche DN 40 ... DN 300  
 Baulänge nach DIN 3202KI  
 Temperature range: EPDM: -35 °C ... +120 °C  
 FKM: -20 °C ... +160 °C  
 Nominal pressure between 2 flanges: max. 16 bar (GGG-housing)  
 max. 10 bar (Alu-housing)  
 end valve: max. 6 bar

### KLP-TA



### Dimensions

1 = double acting actuator; 2 = single acting actuator; \* = weight w/o springs

Flange [DN]	D [mm]	B [mm]	L [mm]	H <sup>1</sup> [mm]	H <sup>2</sup> [mm]	M [mm]	E <sup>1</sup> [mm]	E <sup>2</sup> [mm]	K <sup>1</sup> [mm]	K <sup>2</sup> [mm]	S <sup>1</sup> [mm]	S <sup>2</sup> [mm]	SW <sup>1</sup> [mm]	SW <sup>2</sup> [mm]	Weight <sup>1*</sup> [kg]	Weight <sup>2*</sup> [kg]
40	49	84	33	249	263	75	163	197	78	86	1/8	1/8	10	10	3.6	4.4
50	55	102	43	257	271	81	163	197	78	86	1/8	1/8	10	10	4.4	5.2
65	68	116	46	267	293	89	163	193	78	100	1/8	1/4	10	10	4.9	6.6
80	81	133	46	291	318	110	197	231	86	115	1/8	1/4	10	10	6.2	8.3
100	101	160	52	318	361	128	193	266	100	143	1/4	1/4	10	10	9.1	13.0
125	126	190	56	346	374	140	231	266	115	143	1/4	1/4	10	19	11.5	14.3
150	150	214	56	362	410	155	231	300	115	137	1/4	1/4	10	20	13.8	18.3
200	200	265	60	438	448	190	266	300	143	137	1/4	1/4	19	20	23.1	24.9
250	250	320	68	478	516	220	300	380	137	172	1/4	1/4	19	28	30.9	38.1
300	298	373	78	518	603	247	300	478	137	224	1/4	1/4	20	32	38.9	61.2

### Order Details (example: KLP-TA 7 E F40 C A 0)

Order no.	Housing	Seal	Connection size	Operation	Solenoid valve	Limit switch
KLP-TA	7 = Aluminium H = GGG-40	E = EPDM F = FKM	F40* = DN 40 F50 = DN 50 F65 = DN 65 F80 = DN 80 F1H = DN 100 F1Z = DN 125 F1F = DN 150 F2H = DN 200 F2F = DN 250 F3H = DN 300	C = single acting, default CLOSED	A = without	0 = without 2 = 2 limit switches 3 = 2 limit switches EEx d II C T6
				O = single acting, default OPEN	B = 3/2-way (24 V <sub>DC</sub> ) C = 3/2-way (230 V <sub>AC</sub> ) D = 3/2-way (24 V <sub>DC</sub> EEx m II T4) E = 3/2-way (230 V <sub>AC</sub> EEx m II T4)	
				D = double acting	F = 5/2-way (24 V <sub>DC</sub> ) G = 5/2-way (230 V <sub>AC</sub> ) H = 5/2-way (24 V <sub>DC</sub> EEx m II T4) K = 5/2-way (230 V <sub>AC</sub> EEx m II T4)	

\*not for aluminium housing