

L2675 Rev. B 08/07

Index:

English	1-5
Français	6-11
Deutsch	12-17
Italiano	18-23
Español	24-29
Nederlands	30-35
Portuguese	36-41
Finnish	42-46
Norwegian	47-51
Swedish	52-56
中文	57-61
日本語	62-66



Repair Parts Sheets for this product are available from the Enerpac web site at www.enerpac.com, or from your nearest Authorized Enerpac Service Center or Enerpac Sales office.

1.0 IMPORTANT RECEIVING INSTRUCTIONS

Visually inspect all components for shipping damage. Shipping damage is not covered by warranty. If shipping damage is found, notify carrier at once. The carrier is responsible for all repair and replacement costs resulting from damage in shipment.

SAFETY FIRST

2.0 SAFETY ISSUES


  Read all instructions, warnings and cautions carefully. Follow all safety precautions to avoid personal injury or property damage during system operation. Enerpac cannot be responsible for damage or injury resulting from unsafe product use, lack of maintenance or incorrect product and/or system operation. Contact Enerpac when in doubt as to the safety precautions and operations. If you have never been trained on high-pressure hydraulic safety, consult your distribution or service center for a free Enerpac Hydraulic safety course.


Failure to comply with the following cautions and warnings could cause equipment damage and personal injury.

A **CAUTION** is used to indicate correct operating or maintenance procedures and practices to prevent damage to, or destruction of equipment or other property.


A **WARNING** indicates a potential danger that requires correct procedures or practices to avoid personal injury.


A **DANGER** is only used when your action or lack of action may cause serious injury or even death.


 **WARNING:** Wear proper personal protective gear when operating hydraulic equipment.


 **WARNING:** Stay clear of loads supported by hydraulics. A cylinder, when used as a load lifting device, should never be used as a load holding device. After the load has been raised or lowered, it must always be blocked mechanically.





 **WARNING: USE ONLY RIGID PIECES TO HOLD LOADS.** Carefully select steel or wood blocks that are capable of supporting the load. Never use a hydraulic cylinder as a shim or spacer in any lifting or pressing application.


 **DANGER:** To avoid personal injury keep hands and feet away from cylinder and workpiece during operation.


 **WARNING:** Do not exceed equipment ratings. Never attempt to lift a load weighing more than the capacity of the cylinder. Overloading causes equipment failure and possible personal injury. The cylinders are designed for a max. pressure of 700 bar [10,000 psi]. Do not connect a jack or cylinder to a pump with a higher pressure rating.

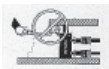
 Never set the relief valve to a higher pressure than the maximum rated pressure of the pump. Higher settings may result in equipment damage and/or personal injury.

 **WARNING:** The system operating pressure must not exceed the pressure rating of the lowest rated component in the system. Install pressure gauges in the system to monitor operating pressure. It is your window to what is happening in the system.

 **CAUTION:** Avoid damaging hydraulic hose. Avoid sharp bends and kinks when routing hydraulic hoses. Using a bent or kinked hose will cause severe back-pressure. Sharp bends and kinks will internally damage the hose leading to premature hose failure.

 Do not drop heavy objects on hose. A sharp impact may cause internal damage to hose wire strands. Applying pressure to a damaged hose may cause it to rupture.

 **IMPORTANT:** Do not lift hydraulic equipment by the hoses or swivel couplers. Use the carrying handle or other means of safe transport.



CAUTION: Keep hydraulic equipment away from flames and heat. Excessive heat will soften packings and seals, resulting in fluid leaks. Heat also weakens hose materials and packings. For optimum performance do not expose equipment to temperatures of 65°C [150°F] or higher. Protect hoses and cylinders from weld spatter.



DANGER: Do not handle pressurized hoses. Escaping oil under pressure can penetrate the skin, causing serious injury. If oil is injected under the skin, see a doctor immediately.



WARNING: Only use hydraulic cylinders in a coupled system. Never use a cylinder with unconnected couplers. If the cylinder becomes extremely overloaded, components can fail catastrophically causing severe personal injury.



WARNING: BE SURE SETUP IS STABLE BEFORE LIFTING LOAD. Cylinders should be placed on a flat surface that can support the load. Where applicable, use a cylinder base for added stability. Do not weld or otherwise modify the cylinder to attach a base or other support.



Avoid situations where loads are not directly centered on the cylinder plunger. Off-center loads produce considerable strain on cylinders and plungers. In addition, the load may slip or fall, causing potentially dangerous results.



Distribute the load evenly across the entire saddle surface. Always use a saddle to protect the plunger.



IMPORTANT: Hydraulic equipment must only be serviced by a qualified hydraulic technician. For repair service, contact the Authorized ENERPAC Service Center in your area. To protect your warranty, use only ENERPAC oil.



WARNING: Immediately replace worn or damaged parts by genuine ENERPAC parts. Standard grade parts will break causing personal injury and property damage. ENERPAC parts are designed to fit properly and withstand high loads.



WARNING: Start the pump with the valve in the neutral position to prevent accidental cylinder operation. Keep hands clear of moving parts and pressurized hoses.



WARNING: These pumps have internal factory adjusted relief valves, which must not be repaired or adjusted except by an Authorized Enerpac Service Center.



▼ ZA4T PERFORMANCE CHART

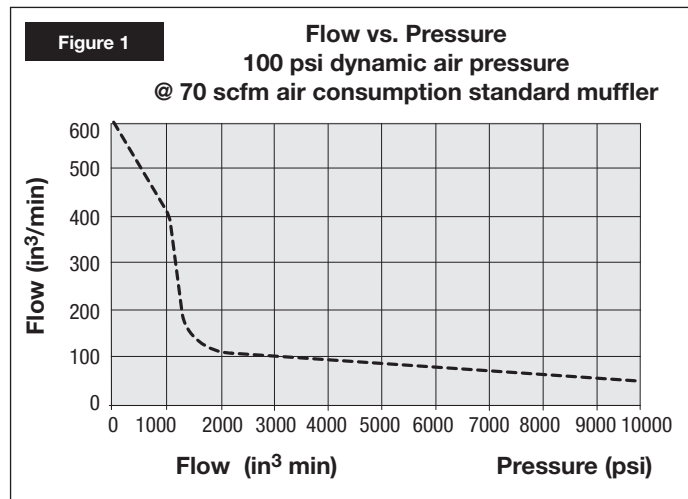
Motor Size (hp)	Output Flow Rate in ³ /min				Dynamic Air Pressure Range (psi)	Air Consumption (scfm)	Sound Level @ 100 psi dynamic (dBA)	Relief Valve Adjustment Range (psi)
	100 psi	700 psi	5,000 psi	10,000 psi				
4*	600	500	80	60	60-100	20-100	80-95	1,400-10,000 for "Q" version 1,400-11,600 for "E" version

*Actual power consumption depends on the application. See Figure 1.

3.0 SPECIFICATIONS

3.1 Performance Chart (see Performance Chart below)

3.2 Flow Chart



4.0 INSTALLATION

Install or position the pump to ensure that air flow around the motor and pump is unobstructed. Keep the motor clean to ensure maximum cooling during operation.

4.1 Reservoir Breather Cap (See Figure 2)

For shipping purposes, a shipping plug (A) is installed in the breather port on the top of the reservoir. Before using replace the shipping plug with the breather cap (B). NOTE: The breather port (B) is separate from the oil fill port (C). Oil fill port (C) uses a SAE #10 plug.

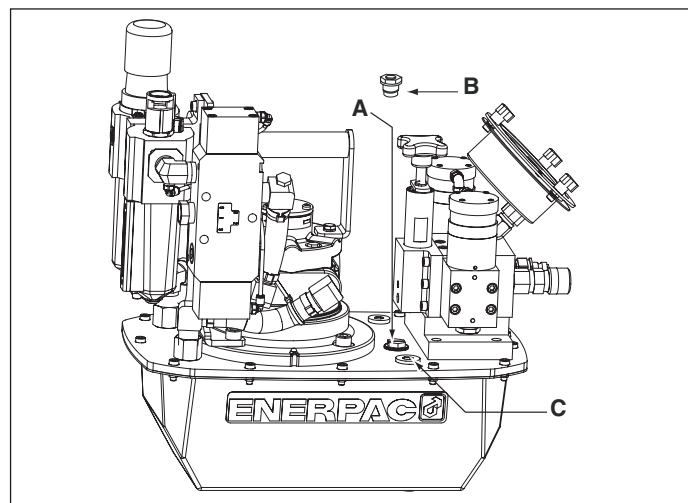


Figure 2, ZA4T Breather Installation

4.2 Pump Mounting

Refer to Figure 3 for mounting dimensions to secure the pump to a fixed surface.

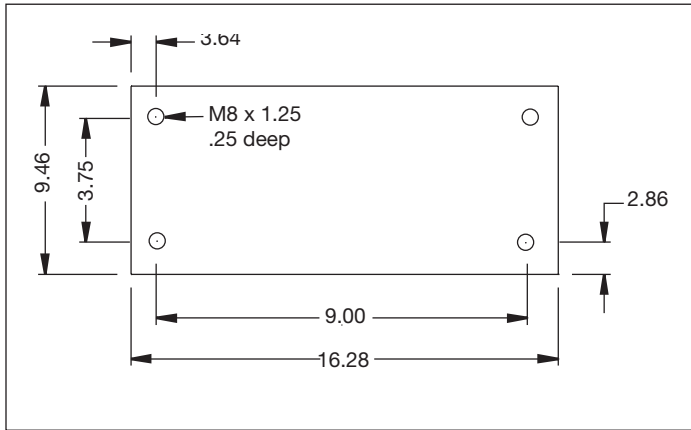


Figure 3

4.3 Air Supply Connections

Pump requires 60-100 psi dynamic air pressure at 20-100 cfm. Attach incoming air supply to the 1/2" NPT port on the regulator/filter/lubricator.

4.4 Fluid Level

Check the oil level of the pump prior to start-up, if necessary add oil by removing the SAE #10 plug from the cover plate (see Fig. 2). The reservoir is full when the oil level reaches the top of the sight glass. (Fig. 4).

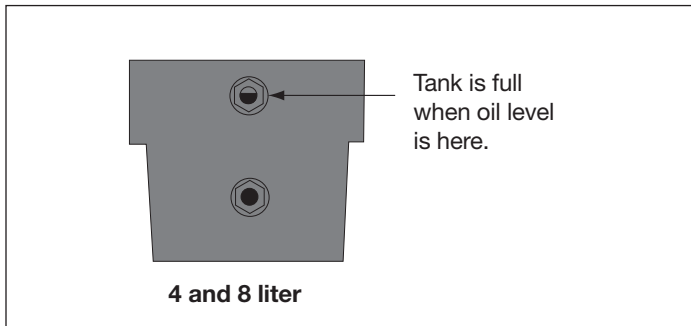


Figure 4

IMPORTANT: Add oil only when all system components are fully retracted, or the system will contain more oil than the reservoir can hold.

4.5 Connect Hydraulic Hoses

Connect hoses as shown in Figure 5.

1. (-E) Pump type for Enerpac SQD and HXD torque wrenches. Be sure to use hoses marked "ENERPAC THC-700 SERIES - 800 Bar/11,600 psi max." The couplers on these hoses are "polarized" at the factory to ensure correct wrench operation. (See figure 5.)
 - A. Hose and wrench female couplers. Hand tighten threaded coupler lock rings, no tools are required.
 - B. The (-E) pump's female couplers are self locking, press mating couplers together until coupler lock ring snaps forward. To disconnect, twist coupler lock ring clockwise and push away from connection.
2. (-Q) Pump type for Enerpac S and W torque wrenches and other brands. Use hoses marked "Enerpac THQ-700 series-700 bar/10,000 psi max.". Couplers must be polarized per figure 5 for correct wrench operation. Ensure couplers are fully engaged and tightened before operating. Partial coupler engagement will prevent proper wrench operation.

4.6 Filling Air Lubricator

Fill lubricator reservoir with a light misting type oil suitable for compressed air tools.



CAUTION: Maintaining the lubricator oil level is critical to the life of the pump.

4.7 Air Lubricator Adjustment

The adjustment knob (C) is factory-adjusted fully clockwise, so no oil is delivered to lubricate the system. To make initial adjustment, turn on the air and start flow to the system. Turn knob to adjust oil drip rate. Turning knob counter-clockwise increases drip rate. (see Fig. 6) Set the drip rate to one or two drops per minute initially and fine tune the rate after the system reaches its normal operating temperature.

To check lubrication, hold a mirror near the equipment exhaust. If a heavy film develops, reduce lubrication.

4.8 Air Pressure Regulator Adjustment

Pull knob straight up to unlock. The adjustment knob must be turned clockwise to increase and counter-clockwise to decrease outlet pressure setting. To reduce pressure, first reduce to a pressure less than that desired, then increase to the desired outlet pressure. (See figure 6.)

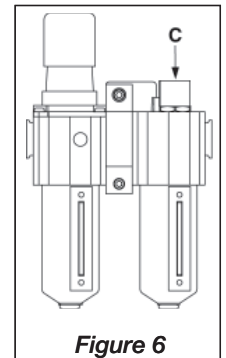


Figure 6

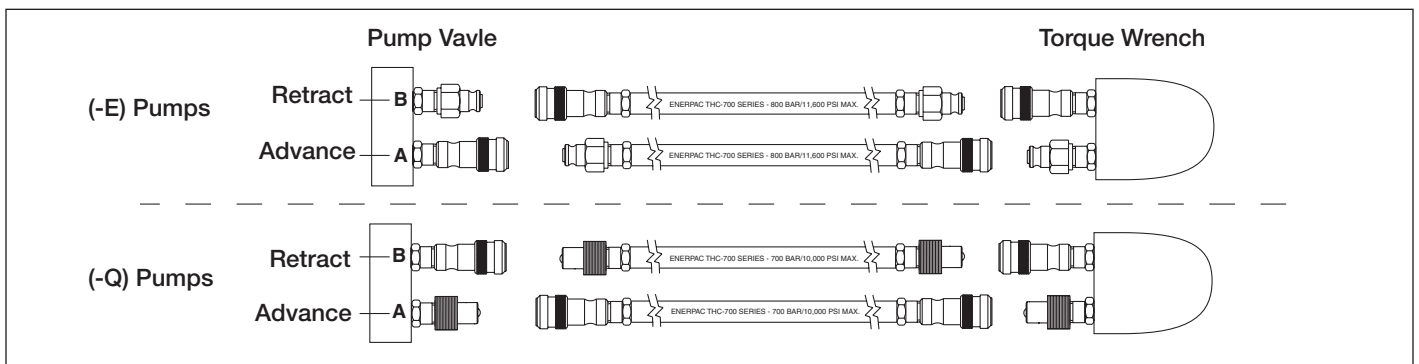


Figure 5

5.0 OPERATION

IMPORTANT: When possible, a single user should operate the torque wrench and pump. This can prevent accidental activation of the pump while the operator is positioning the wrench.

1. Check all system fittings and connections to be sure they are tight and leak free.
2. Check oil level in reservoir and add oil if necessary. (see section 4.4)
3. To start the pump, press the green "ON/ADV" button (D) on the pendant (handset). The wrench will advance as long as the green button is held down.
4. Release the green button to retract the wrench. The motor will remain "ON".
5. Press the red "OFF" button (E) on the pendant to stop the pump motor.
6. To release hydraulic pressure on the wrench and hoses, press and hold the red "OFF" button. Press and release the green "ON/ADV" button 3 or more times until the pressure gauge reads 0 pressure. The hoses can now be removed.

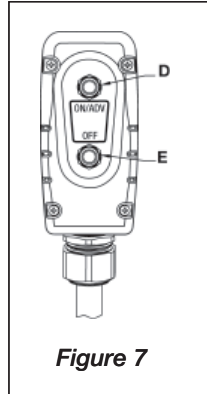


Figure 7



CAUTION: MAKE SURE THE MOTOR IS TURNED OFF AND IS NOT RUNNING BY PRESSING THE RED "OFF" BUTTON, BEFORE THE AIR SUPPLY SOURCE IS TURNED OFF OR DISCONNECTED.

5.1 Air Removal

When the wrench is first connected to the pump, air will be trapped in the components. To ensure smooth and safe operation, remove air by cycling wrench several times without load. Cycle until wrench advances and retracts without hesitation.

Check oil level before operation.

5.2 Gauge and Overlay Operation Procedure

The pump is supplied with a pressure gauge installed. For your convenience, torque overlays are provided with each pump. A torque overlay fits over the pressure gauge dial face and easily converts pressure readings to torque readings (see Fig. 8). The overlay has imperial units (Ft-Lbs.) on one side and metric units (Nm) on the other. To change scales simply slip overlay over.

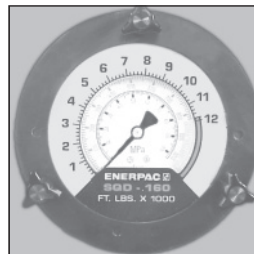


Figure 8



WARNING: Each overlay is sized for a specific Enerpac torque wrench **ONLY**. Do not use with other wrenches.

5.3 Changing the Overlay

1. Remove the three black wing knobs which hold the front gauge flange in place (see Fig. 9).
2. Remove the front flange and overlay (see Fig. 10.)
3. Insert new overlay (remember to verify correct overlay to the Enerpac torque wrench being used) onto the flange, aligning the overlay with the dimples on the back of the flange (see Fig. 11).
4. While holding the overlay behind the flange (see Fig. 10.) insert the flange onto the knob studs, repositioning the overlay as needed, and secure knobs finger tight (see Fig. 9).



Figure 9

The flange will press the overlay onto the gauge and secure it in place. See torque wrench instructions for amount of pressure required to produce desired torque. Note that the maximum pressure varies for different wrenches and accessories.



Figure 10



CAUTION: Refer to torque wrench instructions for wrench operating procedure.

5.4 Pressure (Torque) Setting



WARNING: Make these adjustments **BEFORE** putting torque wrench on nut or bolt head. The pump pressure setting may be above the pressure needed to provide the required torque for your application. Exceeding required torque will cause equipment damage and may lead to serious personal injury.



Figure 11

Z-Class pumps are equipped with one user adjustable relief valve (see Figure 12.) To limit the advance to the torque wrench it can be adjusted as follows:

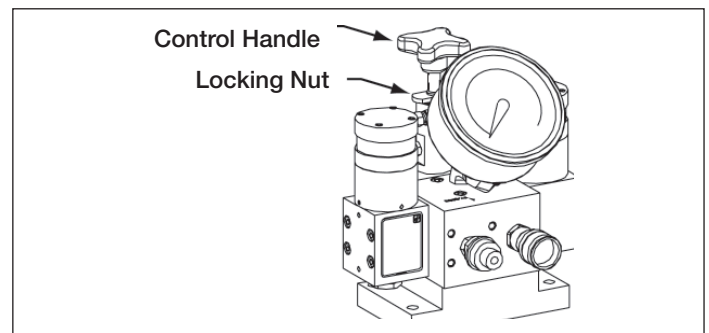


Figure 12, Relief Valve

1. Loosen the relief valve locking nut and turn handle counter-clockwise until there is a light drag when turning.
2. Start the pump to allow the oil to warm.
3. Press and hold the "ON/ADV" button to build pressure in the advance circuit. Turn relief valve control handle clockwise to increase pressure to desired value.
- NOTE:** To get an accurate setting, decrease the pressure to a point below the final setting and then slowly increase the pressure until it reaches the final setting.
4. Tighten the relief valve locking nut at the desired pressure value.
5. Release the pendant "ON/ADV" button to allow the system pressure to return to the B-port by-pass setting. The motor will continue to run.
6. Recheck the final pressure setting by shifting the valve and pressurizing the system.

6.0 MAINTENANCE

Frequently inspect all system components for leaks or damage. Repair or replace damaged components.

6.1 Check Oil Level

Check the oil level of the pump prior to start-up, and add oil, if necessary, by removing the fill port cap. Always be sure hydraulic wrenches are fully retracted before adding fluid to the reservoir. See Figure 2.

6.2 Change Oil and Clean Reservoir

Enerpac HF oil is a crisp blue color. Frequently check oil condition for contamination by comparing pump oil to new Enerpac oil. As a general rule, completely drain and clean the reservoir every 250 hours, or more frequently if used in dirty environments.

NOTE: This procedure requires that you remove the pump from the reservoir. Work on a clean bench and dispose of used oil according to local codes.

1. Unscrew the 13 bolts holding the coverplate to the reservoir and lift the pump unit out of the reservoir. Be careful not to damage the filter screen.
2. Pour all oil out of the reservoir.
3. Thoroughly clean the reservoir and reservoir magnet with a suitable cleaning agent.
4. Remove the pick-up filter screen for cleaning. (Do not pull on the screen or the bottom of the intake to avoid possible damage.) Clean the screen with solvent and a soft brush. Reinstall.
5. Reassemble the pump and reservoir, installing a new reservoir gasket.
6. Fill the reservoir with clean Enerpac hydraulic oil. The reservoir is full when oil level is in middle of the sight gauge (see figure 4).

6.3 Cleaning the Muffler

When the pump is run for long periods of time, ice may form on the muffler element and must be removed. To clean the muffler, unscrew and remove any debris.

6.4 Cleaning the Air-Filter Lubricator

Inspect the air-filter lubricator frequently to detect for damage. Replace damaged bowls.

Keep the filter bowl clean to maintain filtering efficiency. The unit is equipped with an automatic drain, which opens around 3 psig and closes at approximately 5 psig. (See Figure 13.)

A visible coating of dirt or condensate on the filter element or an excessive air pressure drop indicates that cleaning is necessary. Depressurize the unit before removing bowl for cleaning.

CAUTION: Clean filter bowl with household soap only.

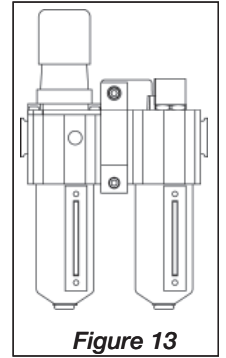


Figure 13

7.0 TROUBLESHOOTING (SEE TROUBLE-SHOOTING GUIDE)

Only qualified hydraulic technicians should service the pump or system components. A system failure may or may not be the result of a pump malfunction. To determine the cause of the problem, the complete system must be included in any diagnostic procedure. The following information is intended to be used only as an aid in determining if a problem exists. For repair service, contact your local Authorized Enerpac Service Center.

Trouble-shooting Guide		
Problem	Possible Cause	Action
Pump will not start	Air turned off or line blocked	See section 5.0 Operation for details
Motor stalls under load	Low air pressure Muffler plugged; contaminated air	See section 6.2B and 6.3A Reduce load or add cylinder capacity Check hydraulic couplers for full engagement
Pump fails to build pressure or less than full pressure	Low oil level Relief valve set too low External system leak Internal leak in pump Internal leak in valve Internal leak in system component	Add oil per section 4.4 Adjust per section 5.4 Inspect and repair or replace See authorized service center See authorized service center See authorized service center
Wrench will not retract	Valve malfunction Return flow line restricted or blocked	See authorized service center Check couplers for full engagement
Low oil flow rate	Inadequate air supply Dirty air filter Clogged inlet filter	See Section 4.3 See Section 6.4 See Section 6.4

L2675 Rev. B 08/07

Les vues éclatées de ce produit sont disponibles sur le site Enerpac www.enerpac.fr. Vous pouvez également les obtenir auprès de votre réparateur agréé Enerpac ou auprès d'Enerpac même.

1.0 INSTRUCTIONS IMPORTANTES RELATIVES À LA RÉCEPTION

Inspecter tous les composants pour vous assurer qu'ils n'ont subi aucun dommage en cours d'expédition. Les dommages subis en cours de transports ne sont pas couverts par la garantie. S'il sont abîmés, aviser immédiatement le transporteur, qui est responsable des frais de réparation et de remplacement résultant de dommages en cours de transport.

LA SÉCURITÉ AVANT TOUT !

2.0 SÉCURITÉ



Lire attentivement toutes les instructions et mises en garde et tous les avertissements. Suivre toutes les précautions pour éviter d'encourir des blessures personnelles ou de provoquer des dégâts matériels durant le fonctionnement du système. Enerpac ne peut pas être tenue responsable de dommages ou blessures résultant de l'utilisation risquée du produit, d'un mauvais entretien ou d'une application incorrecte du produit et du système. En cas de doute sur les précautions ou les applications, contacter Enerpac. En l'absence d'une formation aux mesures de sécurité à prendre en présence de liquides sous haute pression, consulter un centre de distribution ou de réparation Enerpac pour suivre un cours gratuit sur ce thème.

Respecter les mises en garde et avertissements suivants sous peine de provoquer des dégâts matériels et des blessures personnelles.

Une mise en garde **ATTENTION** sert à indiquer des procédures d'utilisation et de maintenance correctes qui visent à empêcher l'endommagement voire la destruction du matériel ou d'autres dégâts.

Un **AVERTISSEMENT** indique un danger potentiel qui exige la prise de mesures particulières visant à écarter tout risque de blessure.

La mention **DANGER** n'est utilisée que lorsqu'une action ou un acte de négligence risque de causer des blessures graves, voire mortelles.



AVERTISSEMENT : Porter un équipement de protection personnelle adéquat pour utiliser un appareil hydraulique.



AVERTISSEMENT : Rester à l'écart de charges soutenues par un mécanisme hydraulique. Un vérin, lorsqu'il est utilisé comme monte-charge, ne doit jamais servir de support de charge. Après avoir monté ou abaissé la charge, elle doit être bloquée par un moyen mécanique.



AVERTISSEMENT : UTILISER SEULEMENT DES PIÈCES RIGIDES POUR SOUTENIR LES CHARGES.

Sélectionner avec précaution des blocs d'acier ou de bois capables de supporter la charge. Ne jamais utiliser un vérin hydraulique comme cale ou intercalaire d'appui pour les applications de levage ou de pressage.



DANGER : Pour écarter tout risque de blessure personnelle, maintenir les mains et les pieds à l'écart du vérin et de la pièce à usiner durant l'utilisation.



AVERTISSEMENT : Ne pas dépasser les valeurs nominales du matériel. Ne jamais essayer de soulever une charge d'un poids supérieur à la capacité du vérin.

Une surcharge entraînera la panne du matériel et risque de provoquer des blessures personnelles. Les vérins sont conçus pour une pression maximale de 700 bar. Ne pas connecter de cric ou de vérin à une pompe affichant une pression nominale supérieure.



Ne jamais régler la soupape de sûreté à une pression supérieure à la pression nominale maximale de la pompe sous peine de provoquer des dégâts matériels et/ou des blessures personnelles.



AVERTISSEMENT : La pression de fonctionnement du système ne doit pas dépasser la pression nominale du composant du système affichant la plus petite valeur. Installer des manomètres dans le système pour surveiller la pression de fonctionnement. Ils permettent de vérifier ce qui se passe dans le système.



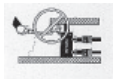
ATTENTION : Éviter d'endommager les tuyaux hydrauliques. Éviter de les plier et de les tordre en les mettant en place. Un tuyau plié ou tordu entraînera un fort retour de pression. Les plis et coudes prononcés endommageront par ailleurs l'intérieur du tuyau, provoquant son usure précoce.



Ne pas faire tomber d'objets lourds sur le tuyau. Un fort impact risque de causer des dégâts intérieurs (torons métalliques). L'application d'une pression sur un tuyau endommagé risque d'entraîner sa rupture.



IMPORTANT : Ne pas soulever le matériel hydraulique en saisissant ses tuyaux ou ses raccords articulés. Utiliser la poignée de transport ou procéder d'une autre manière sûre.



ATTENTION : Garder le matériel hydraulique à l'écart de flammes et d'une source de chaleur.

Une forte température amollira les garnitures et les joints et provoquera par conséquent des fuites. La chaleur affaiblit également les matériaux et les garnitures du tuyau. Pour une performance maximale, ne pas exposer le matériel à une température supérieure ou égale à 65 °C (150 °F). Protéger tuyaux et vérins de projections de soudure.



DANGER: Ne pas manipuler les tuyaux sous pression. L'huile sous pression qui risque de s'en échapper peut pénétrer dans la peau et provoquer des blessures graves. En cas d'injection d'huile sous la peau, contacter immédiatement un médecin.



AVERTISSEMENT : Utiliser des vérins hydrauliques uniquement dans un système couplé. Ne jamais utiliser un vérin en présence de raccords déconnectés. La surcharge du vérin peut avoir des effets désastreux sur ses composants, qui peuvent causer des blessures graves.



AVERTISSEMENT : S'assurer de la stabilité de l'ensemble avant de lever une charge. Le vérin doit être placé sur une surface plane capable de supporter la charge. Lorsqu'applicable, utiliser une base de vérin pour accroître la stabilité. Ne pas souder ou modifier le vérin de quelque façon que ce soit pour y fixer une base ou un autre dispositif de support.



Éviter les situations où les charges ne sont pas directement centrées sur le piston du vérin. Les charges décentrées imposent un effort considérable au vérins et pistons. En outre, la charge risque de glisser ou de tomber, ce qui crée un potentiel de danger.



Répartir la charge uniformément sur toute la surface d'appui. Toujours utiliser un coussinet d'appui si des accessoires non filetés sont utilisés.



IMPORTANT : Le matériel hydraulique doit uniquement être réparé par un technicien hydraulique qualifié. Pour toute réparation, contacter le centre de réparation ENERPAC agréé le plus proche. Pour assurer la validité de la garantie, n'utiliser que de l'huile ENERPAC.



AVERTISSEMENT : Remplacer immédiatement les pièces usées ou endommagées par des pièces ENERPAC authentiques. Les pièces de qualité standard se casseront et provoqueront des blessures et des dégâts matériels. Les

pièces ENERPAC sont conçues pour s'ajuster parfaitement et résister à de fortes charges..



ATTENTION: Démarrez la pompe avec la soupape sur la position neutre afin d'empêcher le fonctionnement imprévu du vérin. Garder les mains éloignées des pièces mobiles et des flexibles sous pression.

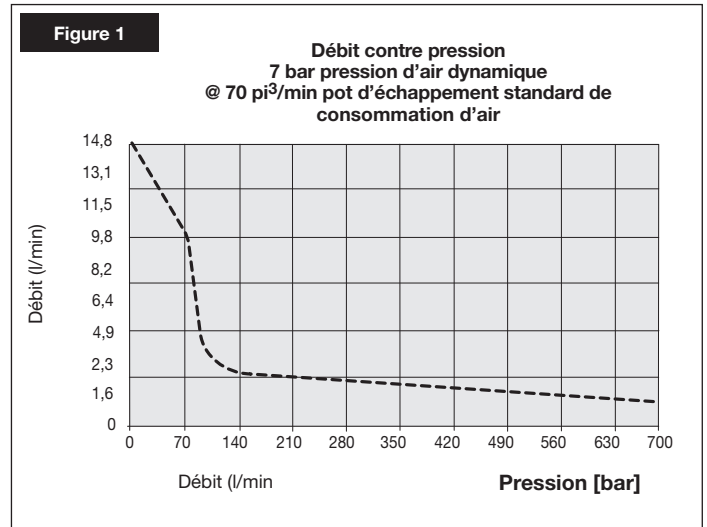


ATTENTION: Ces pompes sont dotées de limiteurs de pression réglés à l'usine, qui ne doivent être ni réparés ni réglés excepté par un centre agréé de réparation Enerpac

3.0 SPÉCIFICATIONS

3.1 Tableau de performance (Consulter le tableau de performance ci-dessous)

3.2 Courbe de débita



4.0 INSTALLATION

Installer ou positionner la pompe afin de s'assurer que la circulation d'air autour du moteur et de la pompe n'est pas obstruée. Garder le moteur propre afin d'assurer un refroidissement maximum pendant le fonctionnement.

4.1 Bouchon reniflard du réservoir (Voir figure 2)

Pour les besoins de transport, un bouchon d'expédition (A) a été installé à l'ouverture du reniflard sur le dessus du réservoir. Avant de l'utiliser, remplacer le bouchon d'expédition par le bouchon reniflard (B). REMARQUE : L'orifice du reniflard (B) et l'orifice de remplissage d'huile (C) sont des orifices distincts. L'orifice de remplissage d'huile (C) utilise un bouchon SAE n° 10.

 II 2 GD ck T4

▼ TABLEAU DE PERFORMANCE ZA4T

Force Du Moteur (hp)	Débit nominal (cm ³ /min)				Dynamic Air Pressure Range (psi)	Air Consumption (scfm)	Sound Level @ 100 psi dynamic (dBA)	Plage de réglage du limiteur de pression (bar)
	7 bar	50 bar	350 bar	700 bar				
4*	15,2	12,7	2,0	1,5	4-7	20-100	80-95	100 - 700 pour la version « Q » 100 - 800 pour la version « E »

* La consommation de courant dépend de l'application. Voir la figure 1.

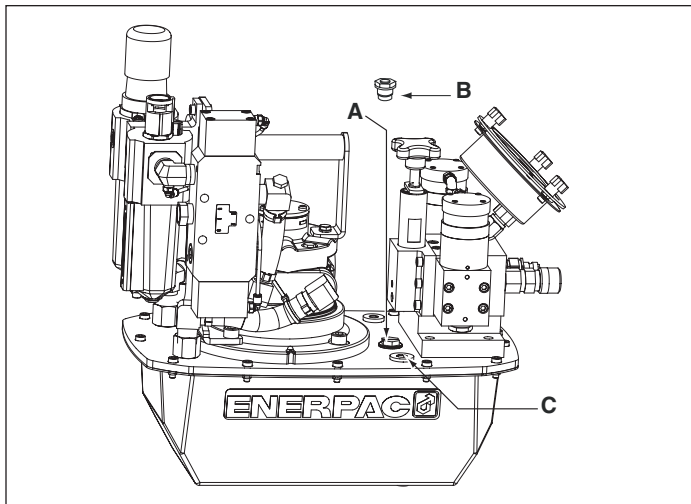


Figure 2, Installation du reniflard ZA4T

4.2 Montage de la pompe

Veillez consulter la figure 3 pour les dimensions de montage afin d'installer la pompe à une surface fixe.

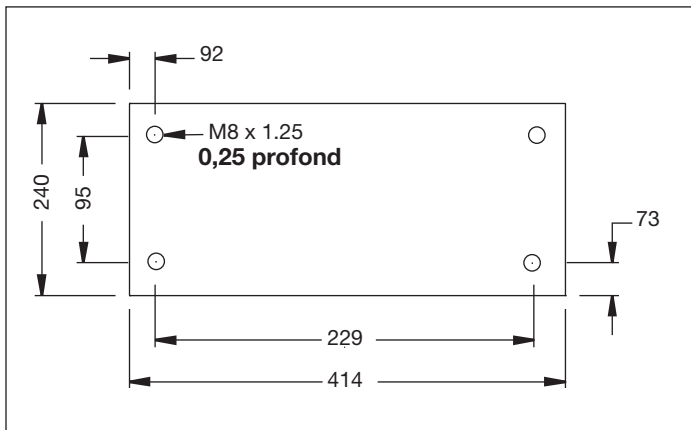


Figure 3

4.3 Connexions d'alimentation d'air

La pompe requiert une pression d'air dynamique (4.2-7 bar) de 60 à 100 psi entre 20 et 100 pi3/min Fixer l'amenée d'air à une entrée NPT de 1/2 po sur le régulateur/filtre/lubrificateur.

4.4 Niveau du fluide

Vérifier le niveau de l'huile de la pompe avant le démarrage, au besoin enlever le bouchon SAE no 10 de la plaque de recouvrement pour ajouter de l'huile (voir fig. 2). Le réservoir est plein lorsque le niveau de l'huile atteint le haut du regard en verre. (Fig. 4).

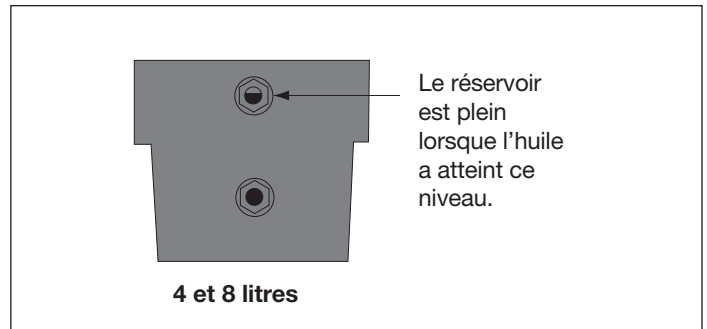


Figure 4

IMPORTANT: Ajouter de l'huile seulement lorsque les composants sont complètement rétractés autrement le système contiendra plus d'huile que ne peut en contenir le réservoir

4.5 Branchement des flexibles hydrauliques

Raccordez les flexibles tel qu'indiqué sur l'illustration 5.

1. Pompe de type (-E) pour clés dynamométriques Enerpac SQD et HXD. Assurez-vous d'utiliser des flexibles portant l'identification « ENERPAC THC-700 SERIES - 800 Bar/11,600 psi max ». Les coupleurs de ces flexibles sont « polarisés » à l'usine afin d'assurer le bon fonctionnement de la clé dynamométrique. (Voir la figure 5)

A. Flexible et coupleurs femelles de la clé dynamométrique. Serrez à la main les joncs d'arrêt filetés pour coupleur; aucun outil n'est requis.

B. Les coupleurs femelles de la pompe (-E) sont autobloquants; pressez les coupleurs correspondants l'un contre l'autre jusqu'à ce que le jonc d'arrêt bloque en position de verrouillage. Pour débrancher, tournez le jonc d'arrêt du coupleur dans le sens des aiguilles d'une montre et tirer pour dégager.

2. Pompe de type pour (-Q) pour clés dynamométriques Enerpac S et W et autres marques. Utiliser des tuyaux flexibles portant l'identification « Enerpac THQ-700 séries-700 bar/10 000 psi max. ». Les coupleurs doivent être polarisés, comme sur l'illustration 5, pour permettre le bon fonctionnement de la clé dynamométrique. S'assurer que les coupleurs sont bien engagés et serrés avant de faire fonctionner l'appareil. Si les coupleurs présentent du jeu, la clé dynamométrique fonctionnera mal.

4.6 Lubrificateur d'air de remplissage

Remplir le réservoir du lubrificateur avec une huile légère de type brume pour les outils à air comprimé.

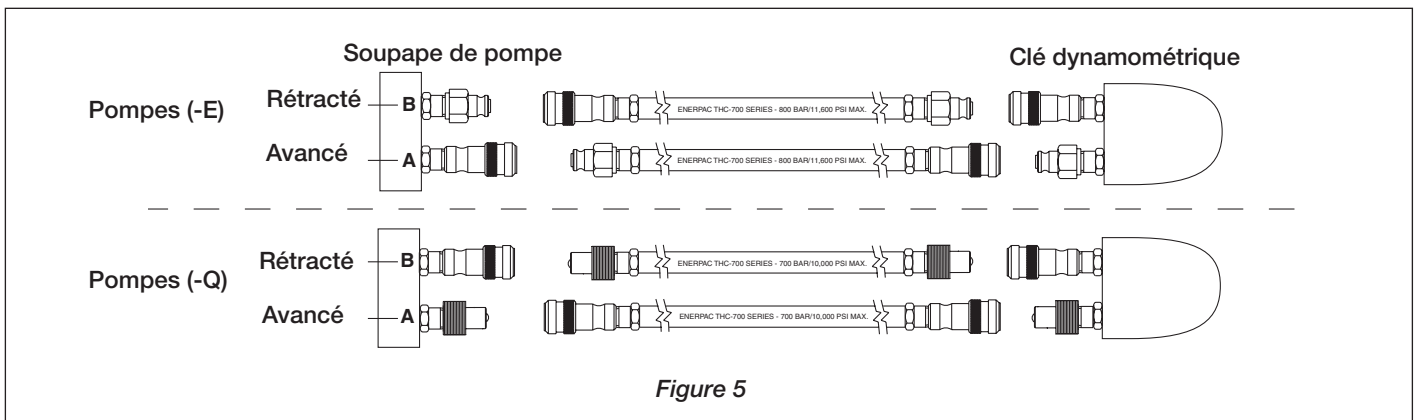


Figure 5



AVERTISSEMENT : Maintenir le niveau d'huile du lubrificateur est important pour la longévité de la pompe.

4.7 Réglage du lubrificateur d'air

La poignée d'ajustement (C) est complètement réglée dans le sens des aiguilles d'une montre à l'usine, de façon à ce qu'aucune huile ne puisse lubrifier le système. Afin d'effectuer le premier réglage, ouvrir le débit d'air vers le système. Tourner la poignée pour régler le débit d'écoulement d'huile. Tourner la poignée dans le sens contraire aux aiguilles d'une montre pour augmenter le débit d'écoulement. (voir la figure 6) En premier, régler le débit d'écoulement à une ou deux gouttes par minute puis ajuster lorsque le système a atteint une température normale de fonctionnement.

Pour vérifier la lubrification, tenir un miroir près de l'échappement de l'équipement. Si une pellicule épaisse se forme, diminuer la lubrification.

4.8 Réglage de la pression d'air du régulateur

Tirer la poignée vers le haut pour déverrouiller. La poignée d'ajustement doit être tournée dans le sens des aiguilles d'une montre pour augmenter ou dans le sens contraire aux aiguilles d'une montre pour réduire la pression de refoulement. Afin de réduire la pression, d'abord réduire à une pression plus basse que celle souhaitée, puis augmenter à la pression de refoulement voulue. (Voir la figure 6)

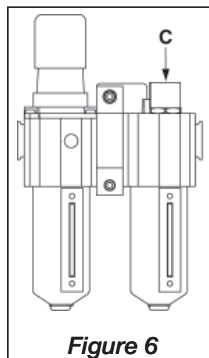


Figure 6

5.0 FONCTIONNEMENT

IMPORTANT: Autant que possible, un seul utilisateur devrait faire fonctionner la clé dynamométrique et la pompe. Ceci afin d'empêcher la mise en route accidentelle de la pompe pendant que l'opérateur place la clé.

1. Vérifier le serrage et l'étanchéité de tous les raccords et des connexions du système.
2. Vérifier le niveau d'huile du réservoir et ajouter de l'huile au besoin. (Consulter la section 4.4)
3. Pour démarrer la pompe, appuyer sur la touche verte (D) « ON/ADV » sur le pendant (combiné). La clé avancera tant que la touche verte est maintenue enfoncée
4. Relâcher la touche verte pour rétracter la clé. Le moteur restera activé « ON ».
5. Appuyer sur la touche rouge (E) « OFF » sur le combiné pour arrêter le moteur de la pompe.
6. Pour relâcher la pression hydraulique sur la clé et les flexibles, appuyer et maintenir la touche rouge « OFF ». Appuyer et relâcher la touche verte « ON/ADV » 3 fois ou plus jusqu'à ce que la jauge de pression affiche une pression à 0. Les flexibles peuvent maintenant être retirés.

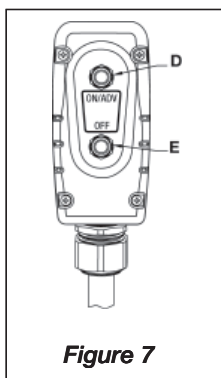


Figure 7



AVERTISSEMENT : S'ASSURER QUE LE MOTEUR EST ÉTEINT ET NE TOURNE PAS EN APPUYANT SUR LA TOUCHE ROUGE « OFF », AVANT DE DÉSACTIVER OU DÉCONNECTER LA SOURCE D'ALIMENTATION D'AIR.

5.1 Élimination de l'air

Si la clé a été branchée en premier à la pompe, les composants contiendront de l'air. Afin de s'assurer d'un fonctionnement

sans danger, éliminer l'air en tournant la clé plusieurs fois sans charge. Tourner jusqu'à ce que la clé avance et se rétracte sans hésitation.

Vérifier le niveau d'huile avant l'opération.

5.2 Manomètre et procédure de recouvrement

La pompe est fournie avec un manomètre à pression installée. À bien plaisir, le recouvrement de couple est fourni avec chaque pompe. Un recouvrement du couple s'adapte sur le cadran du manomètre de pression et convertit facilement les lectures de pression en lectures de couple (Voir fig. 8). Le recouvrement affiche les unités impériales (pi-lb) sur un côté et les unités métriques (Nm) sur l'autre côté. Pour changer d'échelles, simplement glisser le recouvrement dessus.



Figure 8



ATTENTION La taille de chaque recouvrement correspond uniquement pour la clé dynamométrique Enerpac spécifique. Ne pas employer sur d'autres clés.



Figure 9

5.3 Changement du recouvrement

1. Enlever les trois onglets noirs qui retiennent en place la collerette avant le manomètre (voir figure 9).
2. Enlever la collerette avant et le recouvrement (voir figure 10).
3. Insérer le nouveau recouvrement (ne pas oublier de vérifier que le recouvrement correspond bien à la clé dynamométrique Enerpac employée) sur la collerette, aligner le recouvrement avec les coches à l'arrière de la collerette (voir figure 11).
4. Tout en tenant le recouvrement derrière la collerette (voir figure 10), insérer la collerette dans les goujons de la poignée, repositionner le recouvrement au besoin et serrer manuellement les poignées (voir figure 9).



Figure 10



Figure 11

La collerette appuiera le recouvrement sur la jauge et la retiendra en place. Consulter les directives de la clé dynamométrique pour connaître la quantité de pression requise pour produire le couple souhaité. Tenir compte que la pression maximum varie selon les clés et les accessoires.



AVERTISSEMENT: Consulter les directives de la clé dynamométrique pour connaître ses procédures de fonctionnement.

5.4 Réglage de la pression (Couple)



AVERTISSEMENT: Faire ces réglages juste AVANT de mettre la clé dynamométrique sur l'écrou ou le boulon. Le réglage de la pression de la pompe peut être supérieure à la pression nécessaire afin de fournir le couple requis pour votre application. Si le couple requis est dépassé, cela peut provoquer des dommages à l'équipement et peut entraîner des blessures corporelles graves.

Les pompes de classe Z son dotées d'une valve de pression réglable par l'utilisateur (voir la figure 12). L'avance à la clé dynamométrique peut être limitée comme suit :

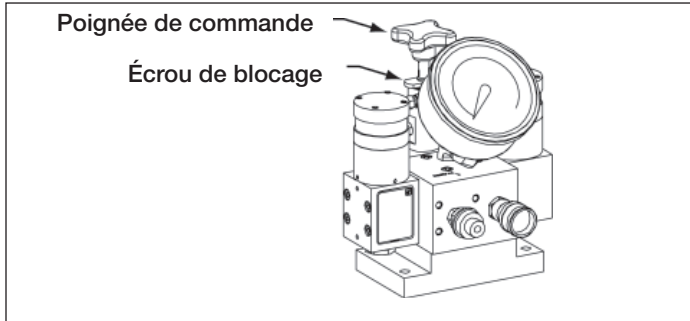


Figure 12, Valve de Pression

1. Desserrer l'écrou de blocage de la soupape de sécurité et tourner la poignée dans le sens contraire aux aiguilles d'une montre jusqu'à ce qu'il y ait une légère résistance en tournant.
2. Faire démarrer la pompe pour réchauffer l'huile.
3. Enfoncer et tenir le bouton « ON/ADV » pour faire monter la pression dans le circuit d'avance. Tourner la poignée de commande de la valve de pression dans le sens des aiguilles d'une montre pour augmenter la pression jusqu'à la valeur désirée
REMARQUE : Pour obtenir un réglage correct, diminuer la pression à un point inférieur au réglage final, puis augmenter lentement la pression jusqu'à ce qu'elle atteigne le réglage final.
4. Serrer l'écrou de blocage de la valve de pression lorsque la valeur de pression désirée est atteinte.
5. Relâcher le bouton « ON/ADV » du tirant pour laisser la pression du système revenir au réglage de la dérivation du port B. Le moteur continuera à tourner.
6. Vérifier le réglage de pression final en déplaçant la valve et en mettant le système sous pression.

6.0 ENTRETIEN

Inspecter fréquemment l'étanchéité et l'état de tous les composants du système. Réparer ou remplacer les composants endommagés.

6.1 Vérifier le niveau de l'huile

Vérifier le niveau de l'huile de la pompe avant le démarrage et, au besoin, retirer le capuchon de l'orifice de remplissage pour ajouter de l'huile. Toujours s'assurer que les clés hydrauliques sont entièrement rétractées avant d'ajouter du fluide dans le réservoir. Voir la figure 2.

6.2 Changer l'huile et nettoyer le réservoir

L'huile Enerpac HF est de couleur bleu vif. Vérifier fréquemment l'état de l'huile en comparant l'huile de la pompe à une huile neuve Enerpac pour voir s'il y a eu contamination. En règle générale, vidanger complètement et nettoyer le réservoir toutes les 250 heures ou plus souvent si utilisée dans un milieu sale.

REMARQUE : Cette procédure exige d'enlever la pompe du réservoir. Travailler sur un établi propre et éliminer l'huile usée selon les règlements locaux

1. Dévisser les 13 boulons retenant la plaque de recouvrement au réservoir et soulever la pompe hors du réservoir. Faire attention de ne pas endommager le grillage du filtre.

2. Vider toute l'huile du réservoir.
3. Soigneusement nettoyer le réservoir et l'aimant du réservoir avec un agent nettoyant approprié.
4. Retirer le grillage du filtre pour le nettoyer. (Ne pas tirer sur le filtre ni sur le bas de l'admission pour éviter des dommages éventuels.) Nettoyer le grillage avec un dissolvant et une brosse douce. Réinstaller.
5. Remonter la pompe et le réservoir, installer un joint de réservoir neuf.
6. Remplir le réservoir avec l'huile hydraulique Enerpac propre. Le réservoir est plein lorsque le niveau de l'huile est au milieu de la jauge de regard (voir figure 4).

6.3 Nettoyage du pot d'échappement

Lorsque la pompe fonctionne sur de longues périodes, il est possible qu'il faille enlever de la glace qui se forme sur le pot d'échappement. Pour nettoyer le pot d'échappement, dévisser et enlever les débris.

6.4 Nettoyage du filtre à air du lubrificateur

Vérifier l'état du filtre à air du lubrificateur régulièrement. Remplacer les bols endommagés.

Garder le bol du filtre propre afin d'assurer son efficacité de filtration. L'appareil est équipé d'un drain automatique, qui s'ouvre autour de 3 psig et se ferme à environ 5 psig.

Une couche visible de saleté ou de condensé sur le filtre ou une chute excessive de pression d'air indique qu'un nettoyage est nécessaire. Dépressuriser l'appareil avant d'enlever le bol pour le nettoyer. Ne pas tourner l'évent de lubrification (H) pendant que le système est sous pression car l'huile sera expulsée.

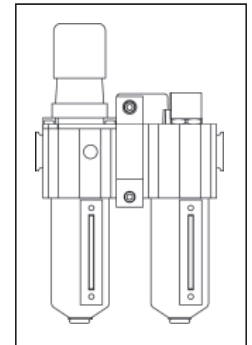


Figure 13



AVERTISSEMENT : Nettoyer le bol du filtre uniquement avec un savon domestique.

7.0 DÉPANNAGE (VOIR LE GUIDE DE DÉPANNAGE)

Seuls des techniciens hydrauliques qualifiés doivent réparer la pompe ou les composants du système. Une panne du système peut être ou non consécutive à un mauvais fonctionnement de la pompe. Afin d'établir la cause de problème, le système complet doit être soumis à la procédure de diagnostic. Les informations suivantes sont destinées à servir comme aide afin d'établir si un problème existe. Pour obtenir un service de réparation, veuillez communiquer avec le Centre de service Enerpac agréé de votre région.

Guide de dépannage		
Problème	Cause possible	Action
La pompe ne démarre pas	Pas d'amenée d'air ou conduite bloquée	Voir les détails à la section 5.0 Fonctionnement
Le moteur s'étouffe sous la charge	Pression d'air faible Pot d'échappement bouché ; air contaminé	Voir section 6.2B et 6.3A Réduire la charge ou ajouter de la capacité au vérin Contrôler que les coupleurs hydrauliques soient bien engagés.
La pompe n'accumule pas de pression ou moins qu'une pression pleine	Niveau d'huile bas Relief valve set too low Fuite du système interne Fuite interne de la pompe Fuite interne de la soupape Fuite interne d'un composant du système	Ajouter de l'huile selon la section 4.4 Régler selon la section 5.4 Vérifier et réparer ou remplacer Consulter un centre de réparation agréé Consulter un centre de réparation agréé Consulter un centre de réparation agréé
La clé ne se rétracte pas	Mauvais fonctionnement de la soupape Débit de retour restreint ou bloqué	Consulter un centre de réparation agréé Contrôler que les coupleurs soient bien engagés.
Débit d'huile bas	Alimentation d'air inadéquate Filtre à air sale Entrée du filtre bouché	Voir section 4.3 Voir section 6.4 Voir section 6.4

L2675 Rev. B 08/07

Das Ersatzteilblatt für dieses Produkt finden Sie auf der Enerpac Website www.enerpac.com, oder bei Ihrem nächstgelegenen autorisierten Enerpac Service Center oder einem Enerpac Vertriebsbüro.

1.0 WICHTIGE VERFAHRENSHINWEISE FÜR DEN EMPFANG:

Alle Komponenten auf sichtbare Transportschäden inspizieren. Transportschäden sind nicht von der Garantie gedeckt. Werden solche Schäden festgestellt, ist unverzüglich das Transportunternehmen zu verständigen. Das Transportunternehmen ist für alle Reparatur- und Ersatzkosten, die auf Transportschäden zurückzuführen sind, verantwortlich.

SICHERHEIT GEHT VOR

2.0 SICHERHEITSRAGEN



Alle Anleitungen, Warnungen und Vorsichtshinweise sorgfältig durchlesen. Beachten Sie alle Sicherheitsvorkehrungen, um Verletzungen oder

Sachschäden während des Systembetriebs zu vermeiden. Enerpac ist weder für Schäden noch Verletzungen haftbar, die durch einen fahrlässigen Gebrauch des Produkts, mangelhafte Instandhaltung oder eine unvorschriftsmäßige Anwendung des Produkts und/oder des Systems verursacht werden. Bei evtl. Fragen in bezug auf Sicherheitsvorkehrungen und Betriebsabläufe wenden Sie sich bitte an ENERPAC. Wenn Sie an keinerlei Sicherheitsschulungen im Zusammenhang mit Hochdruckhydraulikanlagen teilgenommen haben, fordern Sie von Ihrer Vertriebs- und Kundendienstzentrale einen kostenlosen Enerpac-Hydraulik-Sicherheitskurs an.

Ein Mißachten der folgenden Vorsichtshinweise und Warnungen kann zu Geräteschäden und Verletzungen führen.

Mit einem **VORSICHTSHINWEIS** wird auf ordnungsgemäße Betriebs- oder Wartungsverfahren und -praktiken hingewiesen, um Schäden an den Geräten oder anderen Sachwerten bzw. deren Zerstörung zu vermeiden.

Eine **WARNUNG** verweist auf eine potentielle Verletzungsgefahr, die durch ordnungsgemäße Verfahren oder Praktiken vermieden werden kann.

Ein **GEFAHRENSHINWEIS** wird nur dann gegeben, wenn eine bestimmte Handlung oder die Unterlassung einer bestimmten Handlung schwere oder tödliche Verletzungen zur Folge haben kann.



WARNUNG: Beim Betrieb hydraulischer Anlagen geeignete Schutzkleidung und -ausrüstung tragen.



WARNUNG: Von Lasten fernhalten, die durch ein Hydrauliksystem abgestützt werden. Ein als Lastenhebergerät eingesetzter Zylinder darf niemals als ein Lastenhaltergerät verwendet werden. Nach Heben oder Senken der Last muß diese stets auf mechanische Weise gesichert werden.



WARNUNG ZUM SICHERN VON LASTEN STETS NUR STARRE TEILE VERWENDEN. Zum Abstützen von Lasten sorgfältig dazu geeignete Stahl- oder Holzblöcke auswählen. Bei Hebe- oder Drückanwendungen keinesfalls einen Hydraulikzylinder als Abstandsstück oder -halter verwenden.



GEFAHR: Zur Vermeidung von Verletzungen während des Betriebs Hände und Füße von Zylinder und Werkstück fernhalten.



WARNUNG: Die zugelassene Nennleistung der Geräte nicht überschreiten. Keine Last zu heben versuchen, deren Gewicht das Hebevermögen des Zylinders übersteigt. Überlasten verursachen Maschinenausfälle und können zu Verletzungen führen. Die Zylinder wurden für einen max. Druck von 700 bar konstruiert. Keinen Heber oder Zylinder an eine Pumpe mit einer höheren nominalen Druckleistung anschließen.



Das Überdruckventil **keinesfalls** auf einen höheren Druck als den maximal zulässigen Druck der Pumpe einstellen. Höhere Einstellungen können zu Geräteschäden und/oder Verletzungen führen.



WARNUNG: Der Systembetriebsdruck darf den zulässigen Nominaldruck der Systemkomponente mit der niedrigsten Nennleistung nicht überschreiten. Zur Überwachung des Betriebsdrucks sind Manometer im System zu installieren. Dies ist das Fenster zu den Abläufen im System.



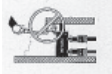
VORSICHT: Beschädigungen am Hydraulikschlauch vermeiden. Beim Verlegen der Hydraulikschläuche enge Bögen und Abknicken vermeiden. Der Einsatz eines gebogenen oder geknickten Schlauchs führt zu einem hohen Rückstau. Starke Biegungen und Knickstellen schädigen den Schlauch auf der Innenseite und führen zu dessen vorzeitigem Ausfall.



Keine schweren Gegenstände auf den Schlauch fallen lassen. Starke Erschütterungen können Schäden an den im Schlauchinnern verlaufenden Drahtlitzen verursachen. Ein Schlauch, auf den Druck ausgeübt wird, kann bersten.



WICHTIG: Hydraulische Geräte weder an den Schläuchen noch den Gelenkanschlüssen anheben. Dazu den Tragegriff oder eine andere sichere Transportmethode verwenden.



VORSICHT: Hydraulische Geräte von Flammen und Hitzequellen fernhalten. Zu hohe Temperaturen weichen Füllungen und Dichtungen auf und bewirken Flüssigkeitslecks. Große Hitze schwächt außerdem die Schlauchmaterialien und -dichtungen. Zur Gewährleistung einer optimalen Leistung darf die Anlage keinen Temperaturen über 65°C ausgesetzt werden. Außerdem müssen Schläuche und Zylinder beim Schweißen vor Funkenschlag geschützt werden.



GEFAHR: Do not handle pressurized hoses. Escaping oil under Nicht mit unter Druck stehenden Schläuchen hantieren. Unter Druck austretendes Öl kann in die Haut eindringen und schwere Verletzungen verursachen. Falls Öl unter die Haut gelangt, ist sofort ein Arzt aufzusuchen.



WARNUNG: In einem gekoppelten System dürfen nur Hydraulikzylinder verwendet werden. Niemals einen Zylinder mit unverbundenen Kupplungen verwenden. Bei einer extremen Überlastung des Zylinders können dessen Komponenten bersten, was schwere Verletzungen hervorrufen kann.



SICHERSTELLEN, DASS DIE ANLAGE STABILISIERST, BEVOR EINE LAST ANGEHOBE WIRD. Der Zylinder sollte auf einer ebenen Oberfläche aufsitzen, die fest genug ist, um die Last abzustützen. Wenn möglich einen Zylinderfuß verwenden, um größere Stabilität zu gewährleisten. Keine Schweißarbeiten oder andere Änderungen am Zylinder vornehmen, um einen Zylinderfuß oder andere Abstützungen anzubringen.



Situationen vermeiden, in denen die Lasten nicht direkt über dem Kolben des Zylinders ausgerichtet sind. Seitlich versetzte Lasten führen zu erheblicher Belastung der Zylinder und Kolben. Außerdem könnte die Last ins Rutschen geraten oder fallen, was zu äußerst gefährlichen Situationen führen kann.



Die Last gleichmäßig über die gesamte Fläche des Druckstückes verteilen. Den Kolben immer mit einem Druckstück schützen, wenn keine Zusatzgeräte mit Gewinde benutzt werden.



WICHTIG: Hydraulische Geräte müssen von einem qualifizierten Hydrauliktechniker gewartet werden. Bei Reparaturarbeiten an die autorisierte ENERPAC-Kundendienstzentrale der jeweiligen Region wenden. Zur Aufrechterhaltung der Garantie nur ENERPAC-Öl verwenden.



WARNUNG: Abgenutzte oder beschädigte Teile unverzüglich durch ENERPAC-Originalteile ersetzen. Standardteile anderer Hersteller versagen und verursachen Verletzungen und Sachschäden. ENERPAC-Teile werden so konstruiert, daß sie richtig passen und hohen Lasten standhalten.



WARNUNG: Starten Sie die Pumpe mit dem Ventil in neutraler Position, um versehentliche Zylinderbetätigung zu verhindern. Greifen Sie nicht in sich bewegende Teile und halten Sie sich von Druckschläuchen fern.

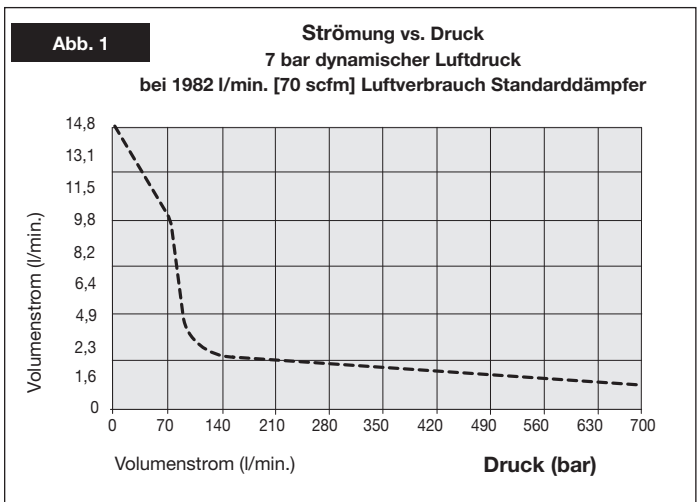


WARNUNG: Diese Pumpen haben interne, werkseitige eingestellte Überdruckventile, die nur von einem autorisierten Enerpac-Servicecenter repariert oder eingestellt werden dürfen.

3.0 TECHNISCHE DATEN

3.1 Leistungsdiagramm (siehe Leistungsdiagramm weiter unten)

3.2 Blaufdiagramm



4.0 EINBAU

Bauen Sie die Pumpe so ein, dass die Luftströmung um den Motor und die Pumpe nicht behindert wird. Halten Sie den Motor sauber, um maximale Kühlung während des Betriebs sicherzustellen.

4.1 Behälter-Entlüfterkappe (siehe Abb. 2)

Für den Versand ist eine Transportsicherung (A) am Entlüfteranschluss oben auf dem Behälter angebracht. Ersetzen Sie vor dem Gebrauch die Transportsicherung durch die Entlüfterkappe (B). HINWEIS: Der Entlüfteranschluss (B) ist von der Öleinfüllöffnung (C) getrennt. Die Öleinfüllöffnung (C) verwendet einen Stöpsel SAE Nr. 10.



▼ ZA4T LEISTUNGSTABELLE

Motorgröße (PS)	Ausgangsströmungsgeschwindigkeit l/min				Dynamischer Luftdruckbereich (bar)	Luftverbrauch (scfm)	Geräuschpegel bei 100 psi dynamisch (dBA)	Einstellbereich des Druck begrenzungs- ventils (bar)
	7 bar	50 bar	350 bar	750 bar				
4*	15,2	12,7	2,0	1,5	60-100	20-100	80-95	100-700 für Version "Q" 100-800 für Version "E"

*Der tatsächliche Stromverbrauch hängt von der Anwendung ab. Siehe Abb. 1.

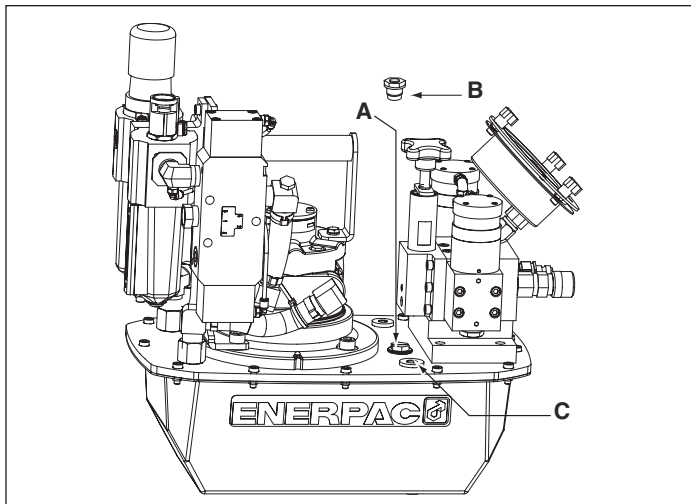


Abb. 2, ZA4T Einbau des Entlüfters

4.2 Pumpenbefestigung

In Abb. 3 finden Sie die Abmessungen für die Befestigung der Pumpe auf einer festen Fläche.

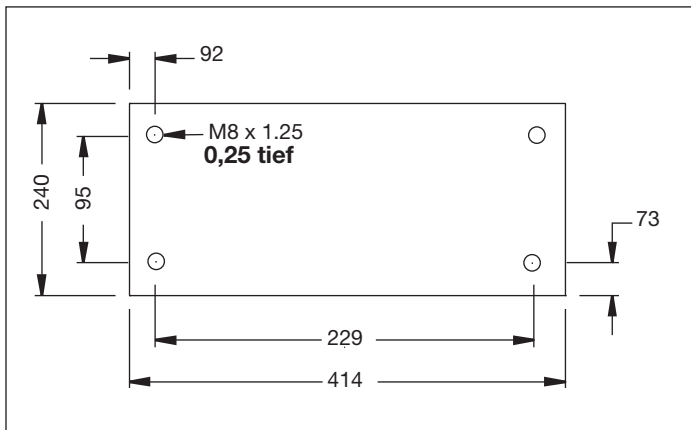


Abb. 3

4.3 Luftversorgungsleitungen

Pumpe erfordert (4.2-7 bar) 60 – 100 psi dynamischen Luftdruck bei 566 – 2832 l/min. [20 – 100 cfm]. Befestigen Sie die ankommende Luftversorgung am 1/2" NPT-Anschluss am Regler/Filter/Schmierapparat.

4.4 Flüssigkeitspegel

Überprüfen Sie den Ölpegel der Pumpe vor dem Start. Geben Sie nötigenfalls Öl hinzu, indem Sie den Stöpsel SAE Nr. 10 von der Abdeckplatte entfernen (siehe Abb. 2). Der Behälter ist voll, wenn der Ölpegel im Sichtglas bis nach oben geht. (Abb. 4).

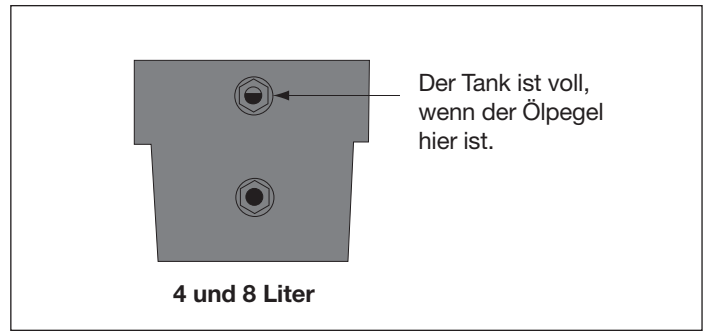


Abb. 4

WICHTIG: Fügen Sie nur Öl hinzu, wenn alle Systemkomponenten vollständig zurückgefahren sind, oder das System enthält mehr Öl als der Behälter fassen kann.

4.5 Hydraulikschläuche Anschließen

Schließen Sie die Schläuche wie in Abb. 5 dargestellt an.

1. (-E) Pumpentyp für Enerpac SQD- und HXD-Drehmomentschlüssel. Achten Sie darauf, Schläuche mit der Kennzeichnung „ENERPAC THS-700 SERIES – 800 Bar/11,600 psi max.“ zu verwenden. Die Kupplungen an diesen Schläuchen sind werkseitig „polarisiert“, um einen ordnungsgemäßen Einsatz des Steckschlüssels zu gewährleisten. (siehe Abb. 5)

A. Schlauch und Steckschlüssel-Innengewindekupplungen. Ziehen Sie die Kupplungssicherungsringe mit Gewinde handfest an, es sind keine Werkzeuge erforderlich.

B. Die Innengewindekupplungen der (-E) Pumpe sind selbstsichernd. Drücken Sie die passenden Kupplungen zusammen, bis der Kupplungssicherungsring nach vorne einrastet. Drehen Sie zum Trennen den Kupplungssicherungsring im Uhrzeigersinn und drücken Sie ihn vom Anschluss weg.

2. (-Q) Pumpentyp für Enerpac S und W Drehmomentschlüssel und andere Marken. Verwenden Sie Schläuche, die mit "Enerpac THQ-700 series-700 bar/10,000 psi max." gekennzeichnet sind. Für den ordnungsgemäßen Steckschlüsseinsatz müssen Kupplungen wie in Abb. 5 polarisiert sein. Stellen Sie vor Inbetriebnahme sicher, dass die Kupplungen vollständig eingerastet und angezogen sind. Teilweises Einrasten der Kupplungen verhindert ordnungsgemäßen Steckschlüsseinsatz.

4.6 Luftschmierapparat Füllen

Füllen Sie den Schmiermittelbehälter mit einem leichten Nebelöl, das für Druckluftwerkzeuge geeignet ist

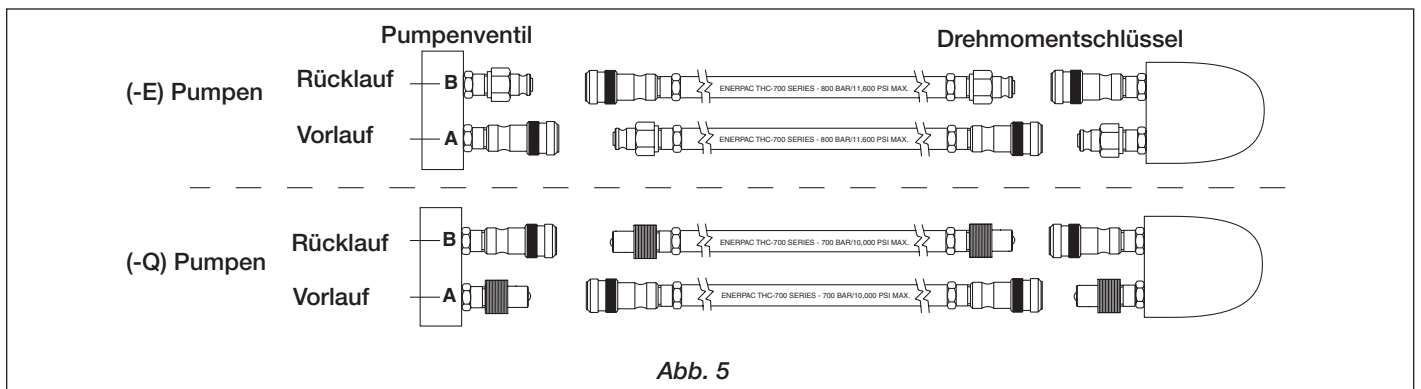


Abb. 5



ACHTUNG: Die Aufrechterhaltung des Ölpegels im Schmierapparat ist äußerst wichtig für die Lebensdauer der Pumpe.

4.7 Einstellung des Luftschmierapparats

Der Einstellknopf (C) ist werkseitig vollständig im Uhrzeigersinn eingestellt, es wird also kein Öl für die Schmierung des Systems zugeführt. Schalten Sie für die erstmalige Einstellung die Luft ein und starten Sie den Fluss des Systems. Drehen Sie den Knopf, um die Öltropfrate einzustellen. Drehen des Knopfs entgegen dem Uhrzeigersinn erhöht die Tropfrate (siehe Abb. 6). Stellen Sie die Tropfrate am Anfang auf ein oder zwei Tropfen pro Minute ein und nehmen Sie eine Feineinstellung der Rate vor, wenn das System seine normale Betriebstemperatur erreicht hat.

Um die Schmierung zu überprüfen, halten Sie einen Spiegel in die Nähe des Geräteauspuffs. Wenn sich ein starker Film entwickelt, verringern Sie die Schmierung

4.8 Einstellung des Luftdruckreglers

Ziehen Sie den Knopf zum Entriegeln gerade nach oben. Der Einstellknopf muss zum Erhöhen der Auslassdruckeinstellung im Uhrzeigersinn und zum Verringern entgegen dem Uhrzeigersinn gedreht werden. Um den Druck zu verringern, verringern Sie ihn zuerst auf einen Druck, der niedriger ist als gewünscht, und erhöhen Sie ihn dann auf den gewünschten Auslassdruck (siehe Abb. 6).

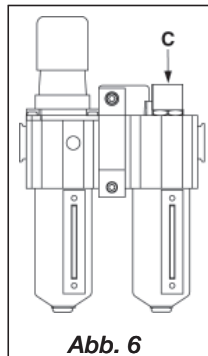


Abb. 6

5.0 BETRIEB

WICHTIG: Wenn möglich, sollte ein einzelner Benutzer den Drehmomentschlüssel und die Pumpe betätigen. Dies kann eine versehentliche Aktivierung, während der Bediener den Schlüssel positioniert, verhindern.

- Überprüfen Sie alle Systemverschraubungen und Anschlüsse, um sicherzustellen, dass sie fest und dicht sind.
- Überprüfen Sie den Ölstand im Äehälter und fügen Sie nötigenfalls Öl hinzu. (Siehe Abschnitt 4.4)
- Um die Pumpe zu starten, drücken Sie die grüne Taste "ON/ADV" (D) auf der Fernbedienung (am Handteil). Der Schlüssel bewegt sich vorwärts, solange die grüne Taste gedrückt wird.
- Lassen Sie die grüne Taste los, um den Schlüssel rückwärts zu bewegen. Der Motor bleibt "ON".
- Drücken Sie die rote "OFF"-Taste (E) auf der Fernbedienung, um den Pumpenmotor zu stoppen.
- Um den hydraulischen Druck am Schlüssel und in den Schläuchen zu verringern, halten Sie die rote "OFF"-Taste gedrückt. Drücken Sie die grüne "ON/ADV"-Taste 3 Mal oder öfter und lassen Sie sie los, bis die Druckanzeige einen Druck von 0 anzeigt. Die Schläuche können jetzt entfernt werden.

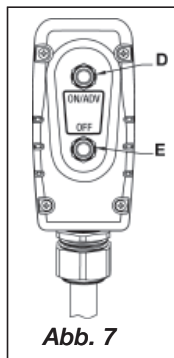


Abb. 7



ACHTUNG: STELLEN SIE SICHER, DASS DER MOTOR AUSGESCHALTET IST UND NICHT LÄUFT, INDEM SIE DIE ROTE "OFF"-TASTE DRÜCKEN, BEVOR DIE LUFTVERSORGUGNSQUELLE AUSGESCHALTET ODER GETRENNT WIRD.

5.1 Entfernen der Luft

Wenn der Steckschlüssel zuerst an die Pumpe angeschlossen wird, wird Luft in den Komponenten gefangen. Um reibungslosen und sicheren Betrieb zu gewährleisten, entfernen Sie die Luft, indem Sie den Schlüssel mehrmals ohne Last drehen. Drehen, bis der Schlüssel sich ungehindert vorwärts und rückwärts bewegt.

Überprüfen Sie vor dem Betrieb den Ölpegel.

5.2 Messgerät und Auflagenbetriebsverfahren

Die Pumpe wird mit einem eingebauten Druckmessgerät geliefert. Für Ihre Bequemlichkeit werden Drehmomentauflagen mit jeder Pumpe geliefert. Eine Drehmomentauflage passt über die Skala des Druckmessgeräts und wandelt die Druckanzeigen problemlos in Drehmomentanzeigen um (siehe Abb. 8). Die Auflage hat englische Maßeinheiten (Ft-Lbs.) auf einer Seite und metrische Maßeinheiten (Nm) auf der anderen Seite. Um die Skalen zu wechseln, drehen Sie die Auflage einfach um.

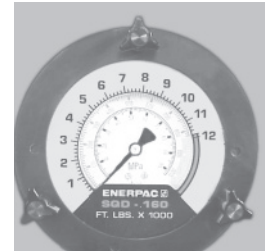


Abb. 8



WARNUNG: Jede Auflage ist NUR für einen bestimmten Enerpac-Drehmomentschlüssel ausgelegt. Verwenden Sie sie nicht mit anderen Schüsseln



Abb. 9

5.3 Wechseln der Auflage

- Entfernen Sie die drei schwarzen Flügelknöpfe, die den vorderen Messgeräteflansch halten (siehe Abb. 9).
- Entfernen Sie den vorderen Flansch und die Auflage (siehe Abb. 10).
- Setzen Sie eine neue Auflage (denken Sie daran, zu überprüfen, ob es die richtige Auflage für den verwendeten Enerpac-Drehmomentschlüssel ist) auf den Flansch und richten Sie dabei die Auflage mit den Vertiefungen an der Rückseite des Flansches aus (siehe Abb. 11).
- Stecken Sie den Flansch auf die Knopfstifte, während Sie die Auflage hinter den Flansch halten (siehe Abb. 10), positionieren Sie die Auflage bei Bedarf neu und befestigen Sie die Knöpfe handfest (siehe Abb. 9).



Abb. 10



Abb. 11

Der Flansch drückt die Auflage auf das Messgerät und befestigt sie. In der Anleitung zum Drehmomentschlüssel finden Sie den Druck, der erforderlich ist, um das gewünschte Drehmoment zu produzieren. Beachten Sie, dass der maximale Druck sich für verschiedene Schlüssel und Zubehörteile unterscheidet.



ACHTUNG: Sehen Sie wegen der Bedienungsverfahren des Schlüssels in der Anleitung zum Drehmomentschlüssel nach

5.4 Druck- (Drehmoment-) Einstellung



WARNUNG: Führen Sie diese Einstellungen durch, **BEVOR** Sie den Drehmomentschlüssel an einer Mutter oder einem Schraubenkopf ansetzen. Die Pumpendruckeinstellung kann über dem Druck liegen, der nötig ist, um das erforderliche Drehmoment für Ihre Anwendung zu liefern. Das Überschreiten des erforderlichen Drehmoments verursacht Schäden am Gerät und kann zu ernsthaften Verletzungen führen.

Pumpen der Z-Klasse sind mit einem einstellbaren Druckbegrenzungsventil ausgestattet (siehe Abb. 12). Um den Vorlauf des Drehmomentschlüssels zu begrenzen, kann dieser wie folgt eingestellt werden.

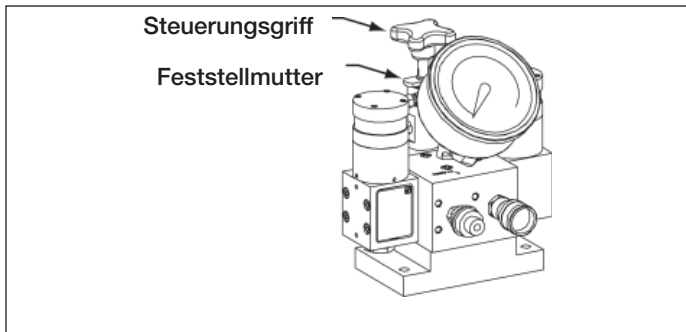


Abb. 12, Überdruckventil

1. Lösen Sie die Feststellmutter des Druckbegrenzungsventils und drehen Sie den Griff entgegen dem Uhrzeigersinn, bis beim Drehen ein leichtes Schleifen zu spüren ist.
2. Starten Sie die Pumpe, damit sich das Öl erwärmen kann.
3. Halten Sie die "ON/ADV"-Taste an der Handsteuerung gedrückt, um Druck im Vorlaufkreislauf aufzubauen. Drehen Sie den Steuerungsgriff des Überdruckventils im Uhrzeigersinn, um den Druck bis zu gewünschten Wert zu verringern.

HINWEIS: Um eine akkurate Einstellung zu erhalten, verringern Sie den Druck bis zu einem Punkt unter der endgültigen Einstellung und erhöhen Sie dann den Druck langsam, bis er die endgültige Einstellung erreicht.

4. Ziehen Sie die Feststellmutter des Überdruckventils beim gewünschten Druckwert fest.
5. Lassen Sie die "ON/ADV"-Taste der Handsteuerung los, damit der Systemdruck zur Umgehungseinstellung des B-Anschlusses zurückkehren kann. Der Motor läuft weiter.
6. Überprüfen Sie die endgültige Druckeinstellung erneut, indem Sie das Ventil verstellen und das System unter Druck setzen.

6.0 WARTUNG

Überprüfen Sie alle Systemkomponenten regelmäßig auf Lecks und Schäden. Reparieren oder ersetzen Sie beschädigte Komponenten..

6.1 Ölpegel überprüfen

Überprüfen Sie den Ölpegel der Pumpe vor dem Starten und fügen Sie nötigenfalls Öl hinzu, nachdem Sie die Einfüllöffnungskappe entfernt haben. Achten Sie immer darauf, dass die hydraulischen Schlüssel vollständig zurückgezogen sind, bevor Sie Flüssigkeit im Behälter hinzufügen. Siehe Abb. 2

6.2 wechseln und Behälter reinigen

Enerpac HF-Öl hat eine klare blaue Farbe. Überprüfen Sie den Ölzustand regelmäßig auf Verunreinigung, indem Sie das Pumpenöl

mit neuem Enerpac-Öl vergleichen. Als allgemeine Regel gilt, dass Sie den Behälter alle 250 Stunden entleeren und reinigen sollten. Es sollte häufiger geschehen, wenn die Pumpe in schmutzigen Umgebungen eingesetzt wird.

HINWEIS: Für dieses Verfahren müssen Sie die Pumpe vom Behälter entfernen. Arbeiten Sie an einer sauberen Werkbank und entsorgen Sie das Altöl gemäß den örtlichen Vorschriften.

1. Lösen Sie die 13 Schrauben, die die Abdeckplatte des Behälters halten, und heben Sie die Pumpe aus dem Behälter. Achten Sie dabei darauf, das Filtersieb nicht zu beschädigen.
2. Schütten Sie das gesamte Öl aus dem Behälter.
3. Reinigen Sie den Behälter und den Behältermagneten sorgfältig mit einem geeigneten Reinigungsmittel.
4. Entfernen Sie das Aufnahmefiltersieb für die Reinigung. (Ziehen Sie nicht am Sieb oder unten am Einlass, um mögliche Schäden zu vermeiden.) Reinigen Sie das Sieb mit Lösungsmittel und einer weichen Bürste. Bauen Sie es wieder ein.
5. Bauen Sie die Pumpe und den Behälter wieder zusammen und installieren Sie dabei eine neue Behälterdichtung.
6. Füllen Sie den Behälter mit sauberem Enerpac-Hydrauliköl. Der Behälter ist voll, wenn der Ölpegel sich in der Mitte des Sichtfensters befindet (siehe Abb. 4).

6.3 Reinigen des Dämpfers

Wenn die Pumpe längerer Zeit läuft, kann sich Eis am Dämpferelement bilden, das entfernt werden muss. Um den Dämpfer zu reinigen, schrauben Sie ihn auf und entfernen Sie alle Fremdkörper.

6.4 Reinigen des Luftfilter-Schmierapparats

Überprüfen Sie den Luftfilter-Schmierapparat häufig auf Schäden. Tauschen Sie beschädigte Schüsseln aus.

Halten Sie die Filterschüssel sauber, um die Effizienz des Filters zu erhalten. Das Gerät ist mit einem automatischen Ablauf ausgestattet, der sich bei ungefähr 0,21 bar [3 psig] öffnet und bei ungefähr 0,35 bar [5 psig] schließt.

Eine sichtbare Beschichtung mit Schmutz oder Kondensat auf dem Filterelement zeigt an, dass eine Reinigung erforderlich ist. Machen Sie das Gerät drucklos, bevor Sie die Schüssel zur Reinigung entfernen. Drehen Sie die Schmieröffnung (H) nicht, während das System unter Druck steht, da sonst Öl ausgestoßen wird.

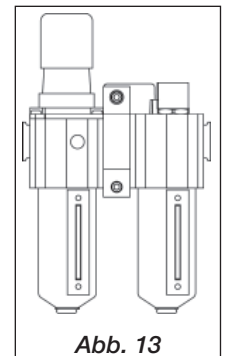


Abb. 13



ACHTUNG: Reinigen Sie die Filterschüssel nur mit Haushaltsseife.

7.0 FEHLERBEHEBUNG (Siehe Fehlerbehebungsleitfaden)

Nur qualifizierte Hydrauliktechniker sollten die Pumpe oder Systemkomponenten warten und reparieren. Ein Systemausfall kann das Ergebnis einer Fehlfunktion der Pumpe sein oder auch nicht. Um die Ursache des Problems festzustellen, muss das vollständige System in das Diagnoseverfahren einbezogen werden. Die folgenden Informationen sind nur als Hilfe gedacht, um festzustellen, ob ein Problem vorliegt. Wenden Sie sich für die Reparatur an Ihr autorisiertes Enerpac-Servicecenter vor Ort.

Fehlerbehebungsleitfaden		
Problem	Mögliche Ursache	Maßnahme
Pumpe startet nicht	Luft ausgeschaltet oder Leitung blockiert	Details siehe Abschnitt 5.0 Betrieb
Motor stirbt unter Last ab	Niedriger Luftdruck Dämpfer angeschlossen; verunreinigte Luft	Siehe Abschnitt 6.2B und 6.3A Last verringern oder Zylinderkapazität hinzufügen Hydraulische Kupplungen auf vollständiges Einrasten überprüfen
Die Pumpe baut keinen oder weniger als den vollen Druck auf	Niedriger Ölpegel Überdruckventil zu niedrig eingestellt Externes Systemleck Internes Leck in der Pumpe Internes Leck im Ventil Internes Leck in einer Systemkomponente	Öl gemäß Abschnitt 4.4 hinzufügen Gemäß Abschnitt 5.4 einstellen Überprüfen und reparieren oder austauschen Wenden Sie sich an ein autorisiertes Servicecenter Wenden Sie sich an ein autorisiertes Servicecenter Wenden Sie sich an ein autorisiertes Servicecenter
Schlüssel bewegt sich nicht rückwärts	Ventilfehlfunktion Rückflussleitung eingeschränkt oder blockiert	Wenden Sie sich an ein autorisiertes Servicecenter Kupplungen auf vollständiges Einrasten überprüfen
Niedrige Öldurchflussrate	Nicht ausreichende Luftversorgung Schmutziger Luftfilter Verstopfter Einlassfilter	Siehe Abschnitt 4.3 Siehe Abschnitt 6.4 Siehe Abschnitt 6.4

L2675 Rev. B 08/07

ottenibile sul sito web www.enerpac.com, oppure chiamando il Centro Assistenza Autorizzato a voi più vicino, o il ns. ufficio commerciale.

1.0 ISTRUZIONI AL RICEVIMENTO

Controllare visivamente tutti i componenti per accertare eventuali danni derivanti dal trasporto. Se del caso, sporgere subito reclamo al trasportatore. I danni causati durante il trasporto non sono coperti dalla garanzia. Il trasportatore è responsabile degli stessi e deve rispondere di tutte le spese e costi per la rimessa in efficienza del materiale.

SICUREZZA ANZITUTTO

2.0 NORME SULLA SICUREZZA



Leggere attentamente tutte le istruzioni, le Precauzioni ed Avvertenze che si devono osservare durante l'impiego delle attrezzature. Rispettare

tutte le norme di sicurezza per evitare infortuni alle persone e danni alle cose. L'ENERPAC non è responsabile per infortuni e danni causati dal mancato rispetto delle Norme di Sicurezza, dall'uso e dall'applicazione impropria del prodotto o dalla sua mancata manutenzione. In caso di dubbi sulla applicazione del prodotto o sulla Sicurezza, contattare l'ENERPAC. Se non si conoscono le Norme di Sicurezza per i Sistemi Oleodinamici ad Alta Pressione contattare l'ENERPAC o i suoi Rappresentanti per un corso gratuito di addestramento sulla Sicurezza.

L'inosservanza delle seguenti Norme di Sicurezza può causare infortuni alle persone e danni alle attrezzature.

PRECAUZIONE: Sta ad indicare la corretta procedura d'impiego o di manutenzione per evitare danni, anche irreparabili, dell'attrezzature e delle cose circostanti.

AVVERTENZA: Sta ad indicare un potenziale pericolo che richiede l'osservanza della procedura per evitare infortuni alle persone.

PERICOLO: E' usato solo quando una azione od una mancata azione può provocare gravi infortuni se non la morte.



AVVERTENZA: Durante l'impiego delle attrezzature oleodinamiche usare sempre gli indumenti protettivi appropriati.



AVVERTENZA: Non sostare sotto ai carichi sorretti oleodinamicamente. Quando si impiega un cilindro, oleodinamico, per sollevare od abbassare un carico, non deve mai essere utilizzato come sostegno permanente. Dopo ogni operazione di sollevamento od abbassamento, assicurare il carico meccanicamente.



AVVERTENZA: IMPIEGARE SUPPORTI SOLIDI PER IL SOSTEGNO DEI CARICHI. Carefully select steel or wood blocks that are capable. Scegliere blocchi in acciaio o legno idonei a sostenere il carico. Non usare mai il cilindro oleodinamico come cuneo o spessore nelle operazioni di sollevamento o pressatura.



PERICOLO Per evitare lesioni personali, tenere mani e piedi lontano dai cilindri oleodinamici durante il loro impiego.



AVVERTENZA: Non superare mai la potenza nominale dell'attrezzatura. Non tentare mai di sollevare un carico superiore alla capacità del cilindro. I sovraccarichi possono causare danni all'attrezzatura ed infortuni alle persone. I cilindri sono stati progettati per operare ad una pressione di 700 bar max. Non collegare mai i cilindri ad una pompa con pressione nominale maggiore.



MAI tarare la valvola regolatrice di pressione ad un valore superiore a quello nominale della pompa. Una taratura troppo alta può causare lesioni alle persone e danni alle attrezzature.



AVVERTENZA: La pressione max. di esercizio, in un circuito, non deve mai superare quella nominale del componente a pressione più bassa. Per controllare la pressione in un circuito, montare un manometro.



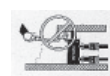
PRECAUZIONE: Evitare di danneggiare il tubo flessibile. Evitare curve strette e serpentine dei tubi flessibili. Curve troppo strette causano strozzature nella tubazione che possono dar luogo a pericolose contropressioni le quali ne compromettono la durata.



NON schiacciare i tubi flessibili. Lo schiacciamento od urto, con oggetti pesanti, possono danneggiare le spirali metalliche interne di rinforzo. Pressurizzare un tubo flessibile lesionato ne causa la rottura.



IMPORTANTE: Non usare il tubo flessibile od il giunto ruotante per sollevare le attrezzature. Servirsi delle maniglie di trasporto o di altri mezzi più sicuri.



PRECAUZIONE: Proteggere tutti i componenti oleodinamici da fonti di calore. Una temperatura elevata ammorbidisce le tenute, le guarnizioni ed il tubo flessibile, dando origine a perdite d'olio. Per un corretto funzionamento la temperatura dell'olio non deve superare i

65 °C. Proteggere i tubi flessibili ed i cilindri dagli spruzzi di saldatura.



PERICOLO: Non maneggiare i tubi flessibili sotto pressione. Spruzzi d'olio sotto pressione perforano la pelle causando serie complicazioni. Se l'olio è penetrato sotto pelle, consultare immediatamente un Medico.



AVVERTENZA: Impiegare i cilindri solo con innesti collegati. Non usare MAI i cilindri con gli innesti scollegati. Sovraccarichi incontrollati sui cilindri possono causare guasti gravissimi e lesioni alle persone.



AVVERTENZA: BE SURE SETUP IS STABLE BEFORE LIFTING LOAD. Prima di procedere al sollevamento di un carico, assicurarsi della perfetta stabilità dei Cilindri. I cilindri devono essere posizionati su una superficie piana, in grado di sorreggere il carico. Dove è possibile, impiegare la base d'appoggio per cilindri per aumentarne la stabilità. Non modificare in alcun modo i cilindri per collegarli o saldarli a supporti speciali.



Evitare l'impiego dei cilindri quando il carico non è centrato sul pistone. I carichi disassati generano dannose sollecitazioni per i cilindri, inoltre, il carico potrebbe slittare e cadere con conseguenze disastrose



Far appoggiare il carico sull'intera superficie della testina del pistone. Usare sempre le testine per proteggere lo stelo.



IMPORTANTE: La manutenzione delle attrezzature oleodinamiche deve essere affidata solo a tecnici qualificati. Per il servizio di assistenza tecnica, rivolgersi al Centro Assistenza Autorizzato ENERPAC di zona.

Per salvaguardare la Vostra garanzia, usare solo olio ENERPAC.



AVVERTENZA: Sostituire immediatamente le parti usurate o danneggiate con ricambi originali ENERPAC. Le parti usurate si potrebbero rompere, causando lesioni alle persone e danni alle cose.



ATTENZIONE: Avviare la pompa con la valvola in posizione neutra per impedire il funzionamento accidentale del cilindro. Tenere le mani distanti dalle parti in movimento e dai tubi flessibili pressurizzati.



ATTENZIONE: Queste pompe hanno delle valvole di scarico tarate in fabbrica, che non debbono essere riparate o regolate ad accezione che si tratti di un centro autorizzato Enerpac

Ex II 2 GD ck T4

▼ DIAGRAMMA DELLE PRESTAZIONI

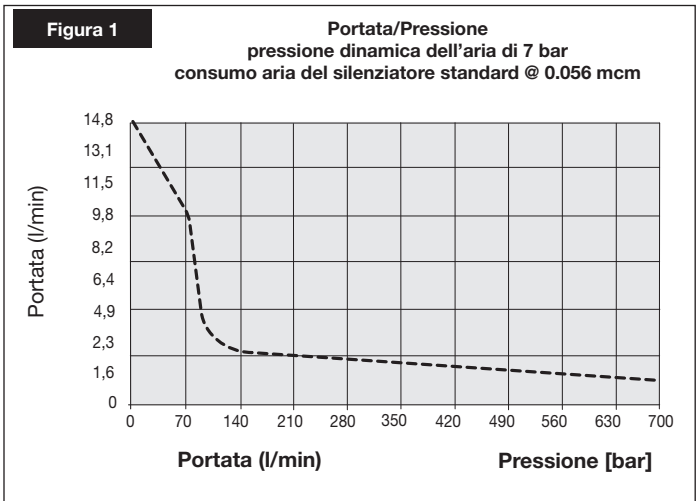
Potenza del motore (hp)	Portata in uscita cm ³ /min				Campo di pressione dinamica dell'aria (bar)	Consumo dell'aria standard (mcm)	Livello sonoro dinamico @ 7 bar (dBA)	Campo di regolazione della valvola di scarico (bar)
	7 bar	50 bar	350 bar	750 bar				
4*	15,2	12,7	2,0	1,5	4-7	20-100	80-95	da 100 a 700 bar per la versione Q da 100 a 812 bar per la versione E

* il consumo effettivo di energia dipende dall'applicazione. Vedere la Figura 1.

3.0 SPECIFICHE

3.1 Diagramma delle prestazioni (vedi il Diagramma delle Prestazioni qui sotto)

3.2 Diagramma Della Portata



4.0 INSTALLAZIONE

Installare o posizionare la pompa in modo da assicurarsi che il flusso dell'aria attorno al motore ed alla pompa non sia ostruito. Mantenere il motore pulito per assicurare il massimo raffreddamento durante il funzionamento.

4.1 Cappuccio sfiatatoio del serbatoio (vedere Figura 2)

Per la spedizione si installa un tappo (A) nel raccordo dello sfiatatoio in cima al serbatoio. Prima dell'uso, sostituire il tappo di spedizione con il cappuccio sfiatatoio (B). NOTA: Il raccordo di sfiato (B) è separato dal raccordo (C) per il riempimento dell'olio. Il raccordo di riempimento dell'olio usa un tappo SAE #10.

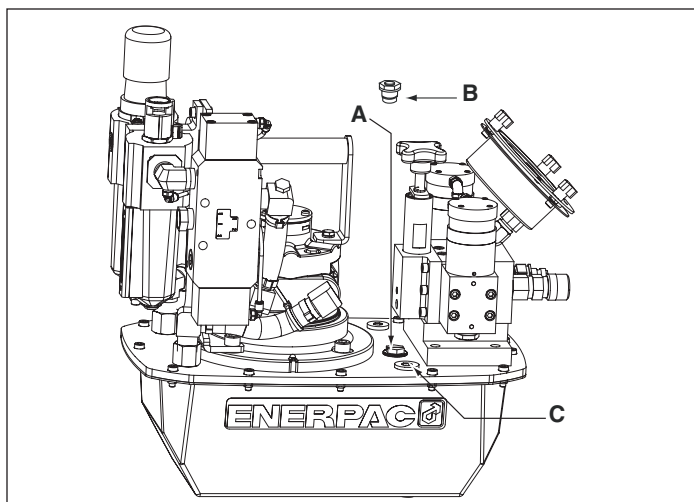


Figura 2, Installazione dello sfiatatoio ZA4T

4.2 Montaggio della pompa.

Fare riferimento alla Figura 3 per le dimensioni di montaggio per fissare la pompa su di una superficie fissa.

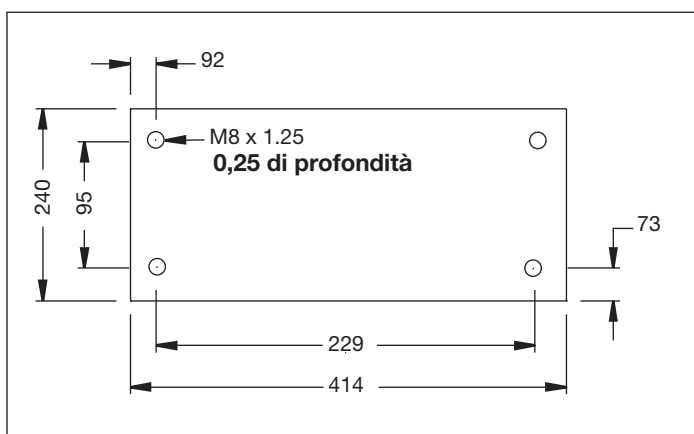


Figura 3

4.3 Collegamenti di alimentazione dell'aria

La pompa richiede da 4,2 a 7 bar di pressione dinamica dell'aria a 0,0160 – 0,080 mcm filter/lubricator.

4.4 Livello del fluido

Controllare il livello dell'olio della pompa prima dell'avvio, e se necessario aggiungere olio togliendo il tappo SAE #10 dalla piastra del coperchio (vedere la Figura 2). Il serbatoio è pieno quando il livello dell'olio raggiunge la parte alta del vetro di livello (Fig. 4).

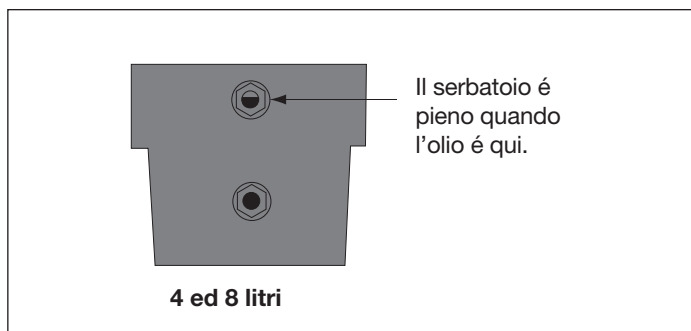


Figura 4

IMPORTANTE: aggiungere olio quando tutti i componenti del sistema sono ritornati a riposo, perché altrimenti nel sistema ci sarebbe più olio di quanto ne possa contenere il serbatoio.

4.5 Collegare i tubi idraulici flessibili

Collegare i tubi flessibili come mostrato in Figura 5

1. (-E) tipo di pompa per le chiavi torsionometriche SQD ed HXD. Accertarsi che i tubi utilizzati siano marcati "ENERPAC THC-700 SERIES - 800 Bar/11,600 psi max." I raccordi di accoppiamento di questi tubi sono polarizzati in fabbrica per assicurare il corretto funzionamento della chiave torsionometrica (vedere la Figura 6).

A. Raccordi femmina per tubo e chiave. Stringere a mano gli anelli di bloccaggio del raccordo filettato. Non sono richiesti attrezzi.

B. I raccordi femmina della pompa (-E) sono autobloccanti, premere assieme i raccordi corrispondenti fino a che l'anello di bloccaggio del raccordo scatta in avanti. Per scollegare, girare l'anello di bloccaggio del raccordo in senso orario e spingerlo via dal collegamento.

2. Pompa tipo (-Q) per le chiavi torsionometriche Enerpac S e W ed altre marche. Usare tubi marcati "Enerpac THQ-700 series-700 bar/10,000 psi max.". I raccordi di accoppiamento debbono essere polarizzati come da Figura 5 per assicurare il corretto funzionamento della chiave. Accertarsi che i raccordi di accoppiamento siano completamente inseriti e stretti prima di iniziare il funzionamento. L'inserimento solo parziale di un raccordo di accoppiamento impedisce il funzionamento corretto della chiave.

4.6 Riempimento del lubrificatore dell'aria

Riempire il serbatoio con un olio leggero nebulizzabile per attrezzi ad aria compressa.



AVVERTENZA: Il mantenimento del livello dell'olio nel lubrificatore è critico per la vita della pompa.

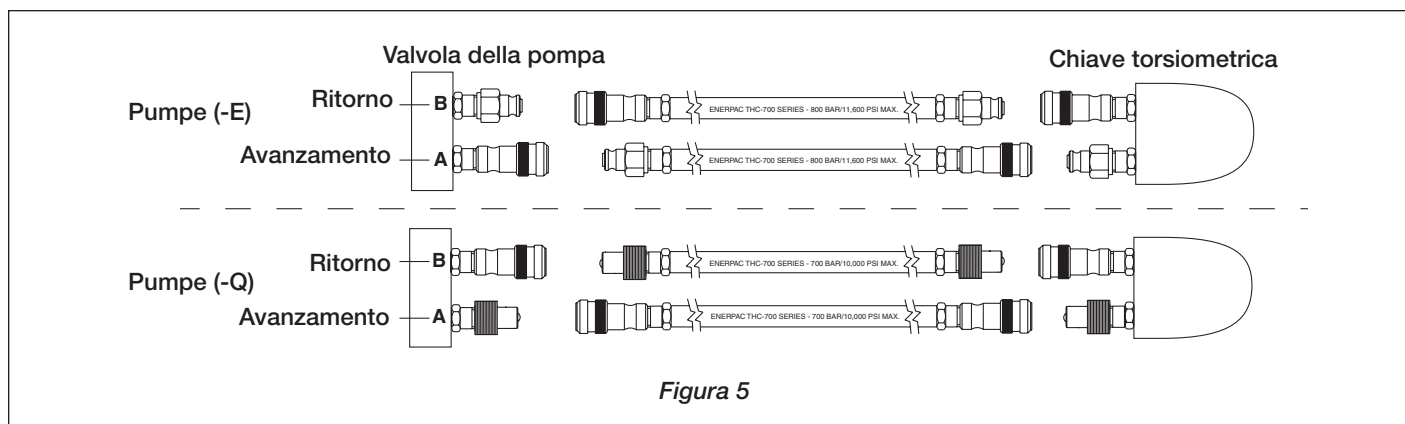


Figura 5

4.7 Regolazione del lubrificatore dell'aria

La manopola di regolazione (C) è regolata in fabbrica completamente in senso orario, in modo che non passi olio per lubrificare il sistema. Per effettuare la regolazione iniziale, aprire l'arrivo dell'aria e fare iniziare il passaggio verso il sistema. Girare la manopola per regolare il gocciolamento dell'olio. Girando la manopola in senso antiorario il ritmo di gocciolamento aumenta (vedere la Figura 6). Inizialmente il ritmo di gocciolamento deve essere regolato ad una o due gocce al minuto e quindi fare la regolazione più fine dopo che il sistema ha raggiunto la temperatura normale di funzionamento

4.8 Regolazione del regolatore della pressione dell'aria.

Tirare la manopola diritto verso l'alto per sbloccare. La manopola di regolazione deve essere girata in senso orario per aumentare ed in senso antiorario per diminuire la regolazione della pressione di uscita (vedere la Figura 6).

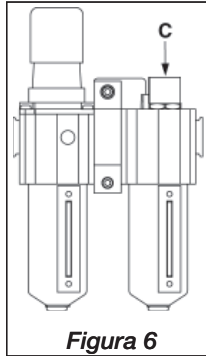


Figura 6

5.0 FUNZIONAMENTO

IMPORTANTE: Se è possibile, un singolo operatore dovrebbe azionare la chiave torsionometrica e la pompa. Questo serve ad impedire l'attivazione accidentale della pompa mentre l'operatore sta posizionando la chiave.

1. Controllare tutti i raccordi del sistema ed i collegamenti per accertarsi che siano ben stretti e non abbiano perdite.
2. Controllare il livello dell'olio nel serbatoio ed aggiungere olio se necessario (vedere la sezione 4.4).
3. Per avviare la pompa, premere il pulsante (D) verde ON/ADV 3 o più volte della tastierina (regolazione manuale). La chiave avanzerà fintanto che il pulsante verde viene mantenuto premuto.
4. Rilasciare il pulsante verde per fare ritornare la chiave. Il motore rimarrà ON.
5. Premere il pulsante (E) rosso OFF sulla tastierina per fermare il motore della pompa. Per scaricare la pressione idraulica dalla chiave e dai tubi flessibili, premere e mantenere premuto il pulsante rosso OFF. Premere e rilasciare 3 volte o più il pulsante verde ON(ADV) fino a che la lettura della pressione sul manometro sia 0. I tubi flessibili possono ora essere smontati.

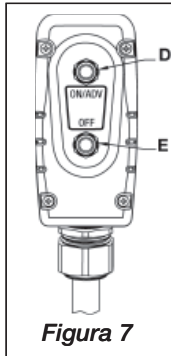


Figura 7



ATTENZIONE: ACCERTARSI CHE IL MOTORE SIA SPENTO E NON STIA GIRANDO, PREMENDO IL PULSANTE ROSSO "OFF", PRIMA CHE LA FONTE DI ALIMENTAZIONE DELL'ARIA SIA SPENTA O SCOLLEGATA.

5.1 Spurgo dell'aria

Quando la chiave è collegata alla pompa per la prima volta, l'aria rimane intrappolata nei componenti. Per avere un funzionamento dolce e sicuro, l'aria deve essere espulsa effettuando diverse volte il ciclo della chiave senza carico. Fare il ciclo fino a che la chiave avanzi e ritorni a riposo senza tentennamenti.

Prima del funzionamento controllare il livello dell'olio- .

5.2 Procedura per il funzionamento del manometro e dell'interruttore di sovraccarico

La pompa è fornita con un manometro installato. Per la Vostra convenienza, per ogni pompa è fornito un disco da sovrapporre con la lettura del momento torcente. Il disco deve essere montato sopra la faccia del disco del manometro e converte facilmente le

letture di pressione in letture di momento torcente (vedere la Figura 8). Il disco ha unità imperiali da una parte (Ft.Lbs) ed unità metriche (Nm) dall'altra. Per cambiare le scale semplicemente porre sopra il disco.



ATTENZIONE: Ogni disco è dimensionato SOLO per una specifica chiave torsionometrica Enerpac. Non usarlo con altre chiavi.

5.3 Sostituzione del disco

1. Togliere le tre manopole nere ad alette che tengono la flangia frontale del manometro a posto (vedere la Figura 9).
2. Smontare la flangia frontale ed il disco (vedere la Figura 10).
3. Inserire il nuovo disco (controllare che sia il disco giusto per la chiave torsionometrica che si usa) sulla flangia, allineando il disco con le concavità sul retro della flangia (vedere la Figura 11).
4. Mentre si tiene il disco dietro la flangia (vedere la Figura 10), inserire la flangia sui prigionieri delle manopole, se necessario riposizionando il disco, e stringere le manopole con le dita (vedere Figura 9).

La flangia premerà il disco sul manometro e lo fisserà al posto. Vedere le istruzioni per la pressione richiesta per produrre il momento torcente desiderato. Notare che la pressione massima varia per le diverse chiavi ed accessori.



ATTENZIONE: Fare riferimento alle istruzioni della chiave torsionometrica per seguire le procedure di funzionamento

5.4 Regolazione della pressione (momento torcente)



AVVISO: Effettuare queste regolazioni PRIMA di porre la chiave torsionometrica su di un dado o sulla testa di un bullone. La regolazione della pressione della pompa potrebbe essere al di sopra della pressione necessaria per fornire la coppia richiesta per la vostra applicazione. Il superamento del momento torcente (coppia) richiesto può causare danni all'equipaggiamento e portare a ferimento grave delle persone

Le pompe della classe Z sono equipaggiate con una valvola di scarico regolabile dall'utente (vedere la Figura 12). Per limitare l'avanzamento della chiave torsionometrica, esso può essere regolato come segue:



Figura 8



Figura 9



Figura 10



Figura 11

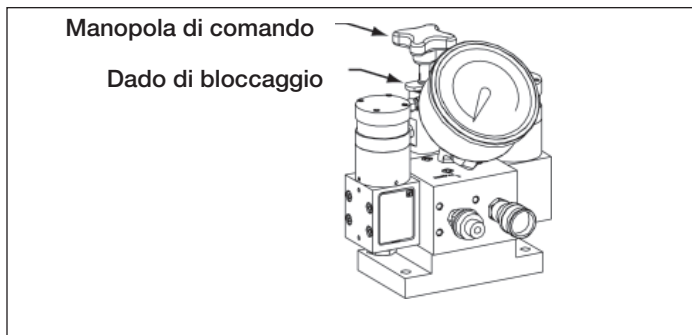


Figura 12, Valvola di scarico

1. Allentare il dado di bloccaggio della valvola di scarico e girare la manopola in senso antiorario fino a che si senta una leggera resistenza mentre si gira.
2. Avviare la pompa per permettere all'olio di riscaldarsi.
3. Premere e tenere premuto il pulsante ON/ADV per creare la pressione nel circuito di avanzamento. Girare la manopola di comando della valvola di scarico in senso orario per aumentare la pressione fino al valore desiderato.
NOTA: Per ottenere una regolazione accurata, diminuire la pressione fino ad un punto al di sotto della regolazione finale e quindi aumentare lentamente la pressione fino a che raggiunga la regolazione finale..
4. Bloccare il dado di bloccaggio della valvola di scarico quando si è raggiunto il valore desiderato.
5. Rilasciare il pulsante ON/ADV per permettere alla pressione del sistema di ritornare alla regolazione del by-pass del raccordo B. Il motore continua a girare.
6. Ricontrollare la regolazione finale della pressione spostando la valvola e pressurizzando il sistema.

6.0 MANUTENZIONE

Ispezionare frequentemente tutti i componenti del sistema per verifica se ci sono perdite o danneggiamenti. Riparare o sostituire i componenti danneggiati

6.1 Controllare il livello dell'olio

Controllare il livello dell'olio della pompa prima dell'avviamento, e, se necessario, aggiungere olio, togliendo il cappuccio del raccordo di riempimento. Accertarsi sempre che le chiavi siano ritornate a riposo completamente, prima di aggiungere fluido nel serbatoio.

6.2 Cambio dell'olio e pulizia del serbatoio

L'olio Enerpac è di colore blu. Controllare frequentemente la condizione dell'olio per verificare che non sia contaminato, paragonandolo all'olio nuovo Enerpac. Come regola generale, scaricare completamente l'olio ogni 250 ore di lavoro, o più frequentemente se si lavora in ambienti sporchi

NOTA: Questa procedura richiede di smontare la pompa dal serbatoio. Lavorare su un banco pulito ed eliminare l'olio usato secondo le regole locali.

1. Svitare i 13 bulloni che fissano la piastra di copertura al serbatoio e sollevare l'unità della pompa fuori dal serbatoio. Fare attenzione a non danneggiare lo schermo di protezione del filtro.
2. Versare tutto l'olio fuori dal serbatoio.
3. Pulire accuratamente il serbatoio ed il magnete del serbatoio con un prodotto di pulizia adatto allo scopo.
4. Rimuovere lo schermo del filtro per la pulizia (non tirare lo

schermo o la parte in fondo della presa d'olio per evitare possibili danni). Pulire lo schermo con un solvente adatto ed una spazzola soffice. Reinstallare.

5. Rimontare la pompa ed il serbatoio, installare una nuova guarnizione del serbatoio.
6. Riempire il serbatoio con olio idraulico Enerpac pulito. Il serbatoio è pieno quando il livello dell'olio è a metà del vetro del livello (vedere la Figura 4).

6.3 Pulizia del silenziatore

Quando la pompa ha funzionato per un lungo periodo di tempo, sul silenziatore si possono formare delle formazioni di ghiaccio che debbono essere tolte. Per pulire il silenziatore svitarlo e togliere le impurità.

6.4 Pulizia del lubrificatore del filtro dell'aria

Ispezionare frequentemente il lubrificatore del filtro dell'aria per verificare gli eventuali danni.

Sostituire i bicchieri danneggiati. Mantenere il bicchiere del filtro pulito per garantire l'efficacia del filtro. L'unità è equipaggiata con uno scarico automatico, che si apre a circa 2,1 bar e si chiude a circa 3,5 bar.

Uno strato visibile di sporco o di condensa sull'elemento del filtro oppure un'eccessiva caduta di pressione indicano che la pulizia è necessaria. Depressurizzare l'unità prima di togliere il bicchiere per la pulizia. Non girare lo sfiato (H) della lubrificazione mentre il sistema è pressurizzato, perché altrimenti schizzerebbe fuori dell'olio.

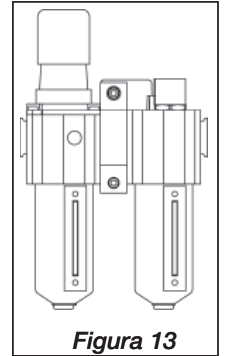


Figura 13



ATTENZIONE: Pulire il bicchiere del filtro solo con sapone per uso domestico.

7.0 ELIMINAZIONE DEI DIFETTI (vedere la guida per l'eliminazione dei difetti)

La manutenzione della pompa o dei componenti del sistema deve essere effettuata solo da tecnici qualificati del settore idraulico. Un funzionamento difettoso del sistema può essere o no dovuto ad una disfunzione della pompa. Per determinare la causa del problema, il sistema intero deve essere compreso in una procedura di diagnosi. L'informazione seguente deve essere intesa per l'uso in aiuto per determinare se un problema esiste. Per il servizio di riparazione, contattare il vostro Centro Autorizzato Enerpac locale.

Guida per l'eliminazione dei difetti

Problema	Possibile causa	Azione
La pompa non parte	Aria chiusa o linea bloccata	Vedere la sezione 5.0 Funzionamento per i dettagli
Il motore va in stallo sotto carico	Bassa pressione dell'aria Silenziatore tappato, aria contaminata	Vedere la sezione 6.2B e 6.3A Ridurre il carico o aggiungere capacità al cilindro Controllare l'inserimento completo dei raccordi idraulici di accoppiamento
La pompa non crea pressione o ne crea una più bassa del dovuto	Basso livello dell'olio Valvola di scarico regolata troppo bassa Perdita esterna del sistema Perdita interna nella pompa Perdita interna nella valvola Perdita interna in un componente del sistema	Aggiungere olio, vedere sezione 4.4 Regolare, vedere sezione 5.4 Ispezionare e riparare o sostituire Consultare un centro di servizio autorizzato Consultare un centro di servizio autorizzato Consultare un centro di servizio autorizzato
La chiave non torna a riposo	Disfunzione della valvola Linea del flusso di ritorno ristretta o bloccata	Consultare un centro di servizio autorizzato Controllare l'accoppiamento completo dei raccordi di accoppiamento
Bassa portata dell'olio	Alimentazione d'aria inadeguata Filtro dell'aria sporco Filtro d'entrata tappato	Vedere la sezione 4.3 Vedere la sezione 6.4 Vedere la sezione 6.4

**Bomba hidroneumática ZA4T
para llaves dinamométricas**

L2675 Rev. B 08/07

Las hojas de despiece para este producto están disponibles en la página web de Enerpac en la dirección www.enerpac.com, o en el centro de asistencia Técnica ó punto de venta Enerpac mas cercano.

1.0 IMPORTANTES INSTRUCCIONES DE RECEPCIÓN

Inspeccione visualmente todos los componentes para verificar si hay daños producidos en el transporte. Debido a que la garantía no ampara daños en transporte, si los hubiese, informe inmediatamente a la empresa de transportes, puesto que ésta es responsable de todos los gastos de reparaciones o reemplazo que resulten por daños producidos en el transporte.

SEGURIDAD PRIMERO**2.0 ASPECTOS DE SEGURIDAD**

Lea todas las instrucciones, advertencias y precauciones. Acate todas las precauciones de seguridad para evitar lesiones o daños a la propiedad durante el funcionamiento del sistema. ENERPAC no puede ser responsable de daños o lesiones que resulten de no usar el producto de forma segura, falta de mantenimiento o aplicación incorrecta del producto y/o funcionamiento del sistema. Comuníquese con ENERPAC si tuviese dudas sobre las precauciones de seguridad o sobre las aplicaciones. Si nunca ha sido capacitado en seguridad hidráulica de alta presión, consulte a su distribuidor o centro de servicio para obtener un curso de seguridad gratis denominado ENERPAC Hydraulic.

El no cumplir con las siguientes precauciones y advertencias podría causar daños averías al equipo y lesiones.

Una **PRECAUCIÓN** se utiliza para indicar procedimientos y prácticas de uso o mantenimiento correctos para evitar daños o la destrucción de equipo u otra propiedad.

Una **ADVERTENCIA** indica un potencial peligro que requiere de procedimientos o prácticas correctos para evitar lesiones.

Un **PELIGRO** se utiliza sólo cuando su acción u omisión podría causar lesiones graves o incluso la muerte.



ADVERTENCIA: Use el equipo de protección personal adecuado cuando use equipo hidráulico.



ADVERTENCIA: Manténgase alejado de las cargas soportadas por sistemas hidráulicos. Cuando un cilindro se utiliza como dispositivo para levantar carga, nunca debería usarse como dispositivo para sostener carga. Después de que la carga haya sido levantada o descendida, debe bloquearse siempre en forma mecánica.



USE SÓLO PIEZAS RÍGIDAS PARA SOSTENER CARGAS. Seleccione cuidadosamente bloques de acero o de madera capaces de soportar la carga.

Nunca use un cilindro hidráulico como calzo ó separador en aplicaciones de levantamiento o presión.



PELIGRO: Para evitar lesiones personales, mantenga las manos y los pies alejados del cilindro y pieza de trabajo durante el funcionamiento.



ADVERTENCIA: No sobrepase el valor nominal del equipo. Nunca intente levantar una carga más pesada que la fuerza del cilindro. Las sobrecargas ocasionan fallas del equipo y posibles lesiones. Los cilindros están diseñados para resistir una presión máxima de 700 bar. No conecte un gato o cilindro a una bomba cuya presión nominal sea mayor que el indicado.



Nunca fije la válvula de seguridad a una presión más alta que el máximo valor nominal de presión de la bomba. Los ajustes más altos pueden resultar en daños al equipo y/o lesiones personales.



ADVERTENCIA: La presión de trabajo del sistema no debe sobrepasar el valor nominal de presión del componente con el valor nominal más bajo en el sistema. Instale manómetros en el sistema para vigilar la presión de trabajo. Es su ventana a lo que está sucediendo en el sistema.



PRECAUCIÓN: Evite dañar la manguera hidráulica. Evite pliegues y curvas agudos al guiar las mangueras hidráulicas. Usar una manguera con pliegues o curvas puede causar severa contrapresión. Los pliegues y curvas agudos causarán daños internos a la manguera, lo que ocasionará que ésta falle prematuramente.



No deje caer objetos pesados sobre la manguera. Un impacto directo puede dañar el trenzado metálico de la manguera. Aplicar presión a una manguera dañada puede ocasionar que se rompa.



IMPORTANTE: No levante el equipo hidráulico por las mangueras o acopladores giratorios. Utilice el asa de transporte u otros medios para transportarla con seguridad.



PRECAUCIÓN: Mantenga el equipo hidráulico alejado de las llamas y el calor. El calor en exceso ablandará las juntas, lo que resultará en fugas de líquidos. Asimismo, el calor debilita los materiales de la manguera y juntas. Para lograr un rendimiento óptimo, no exponga el equipo a temperaturas de 65°C (150°F) o mayores. Proteja las mangueras y cilindros de salpicaduras de soldadura.



PELIGRO: No manipule mangueras bajo presión. El aceite que escape bajo presión puede penetrar la piel y causar lesiones graves. Si se inyecta aceite bajo la piel, consulte a un médico inmediatamente.



ADVERTENCIA: Use cilindros hidráulicos únicamente en sistemas acoplados. Nunca use un cilindro si los acopladores no están conectados. Si el cilindro se sobrecarga, los componentes pueden fallar súbitamente, lo que podría causar lesiones graves.



ADVERTENCIA: Asegúrese que el equipo sea seguro antes de levantar la carga. El cilindro debe colocarse sobre una superficie plana capaz de soportar la carga. De ser necesario, utilice una base de cilindro para mayor estabilidad. No suelde ni modifique el cilindro en modo alguno para fijarle una base u otro medio de soporte.



Evite las situaciones en las cuales las cargas no estén directamente centradas sobre el émbolo del cilindro. Las cargas descentradas producen un esfuerzo considerable sobre los cilindros y los émbolos. Además, la carga podría resbalar o caerse, creando situaciones potencialmente peligrosas.



Distribuya la carga uniformemente sobre toda la superficie de asiento del cilindro. Siempre utilice una silleta para proteger el émbolo cuando no se usen accesorios roscados.



IMPORTANTE: Únicamente técnicos calificados en sistemas hidráulicos habrán de prestarle servicio al equipo hidráulico. Comuníquese con el Centro de Servicio ENERPAC autorizado en su zona para prestarle servicio de reparaciones. Use únicamente aceite ENERPAC a fin de proteger su garantía.



ADVERTENCIA: Reemplace inmediatamente las piezas gastadas o dañadas por piezas ENERPAC genuinas. Las piezas de calidad corriente se romperán, lo que causará lesiones y daños a la propiedad. Las piezas ENERPAC están diseñadas para encajar debidamente y resistir grandes cargas.



ADVERTENCIA: Poner en marcha la bomba con la válvula en posición neutral para evitar un funcionamiento accidental del cilindro. Mantener las manos lejos de las partes móviles y mangueras presurizadas.



ADVERTENCIA: Estas bombas poseen válvulas de descarga internas de fábrica que no deben repararse o ajustarse a menos que lo realice un Centro de Servicio Técnico Enerpac autorizado

3.0 ESPECIFICACIONES



II 2 GD ck T4

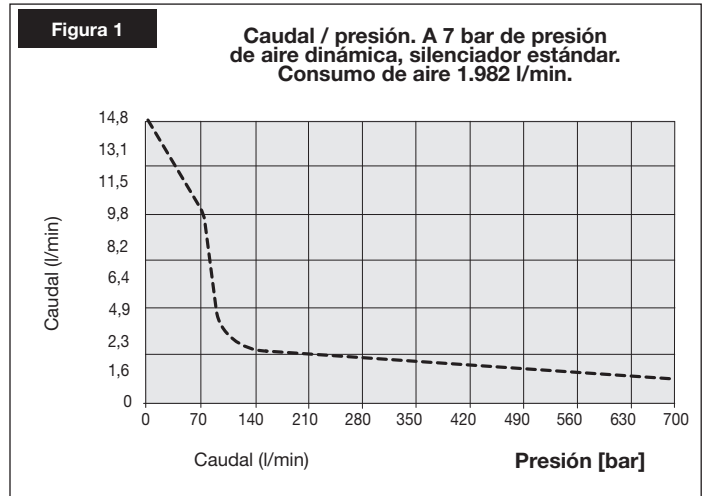
▼ TABLA DE PRESTACIONES ZA4T

Potencia del Motor (KW)	Caudal de Salida en l/min				Gama de presiones de aire dinámicas (bar)	Consumo de Aire (scfm)	Nivel Sonoro a 6,9 bar Dinámicos (dBA)	Gama de ajuste de la válvula de descarga (bar)
	7 bar	50 bar	350 bar	750 bar				
3*	15,2	12,7	2,0	1,5	4-7	20-100	80-95	97-700 para la versión "Q" 97-800 para la versión "E"

* El consumo de energía real depende de la aplicación. Véase Figura 1.

3.1 Diagrama de rendimiento (véase el Diagrama de rendimiento a continuación)

3.2 Diagrama de caudal



4.0 INSTALACIÓN

Instalar o colocar la bomba de tal manera que el flujo de aire alrededor del motor y la bomba no quede obstruido. Mantener el motor limpio para asegurar un máximo enfriamiento durante el funcionamiento.

4.1 Tapón de aireación del depósito (véase Figura 2)

Para el envío se monta un tapón de transporte (A) en la aireación de la parte superior del depósito. Antes de utilizar, sustituir el tapón de transporte por el tapón de aireación (B). NOTA: La aireación (B) está separada del tapón de llenado de aceite (C). El tapón de llenado de aceite (C) tiene rosca SAE N° 10.

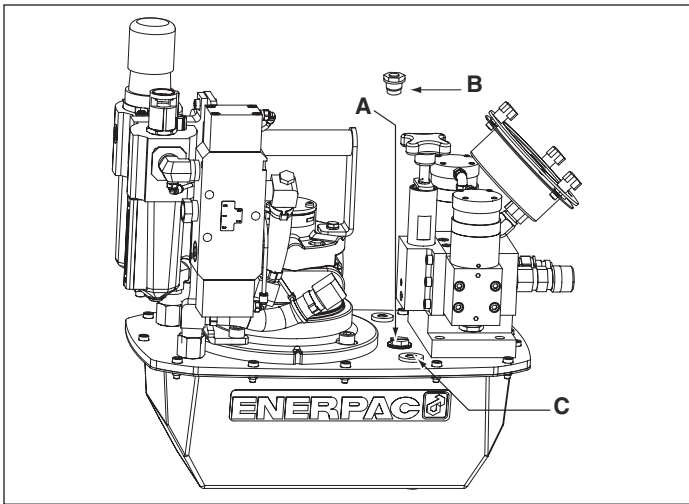


Figura 2, Instalación del tapón de aireación ZA4T

4.2 Montaje de la Bomba

Consultar la Figura 3 para ver las dimensiones del montaje para asegurar la bomba a una superficie fija.

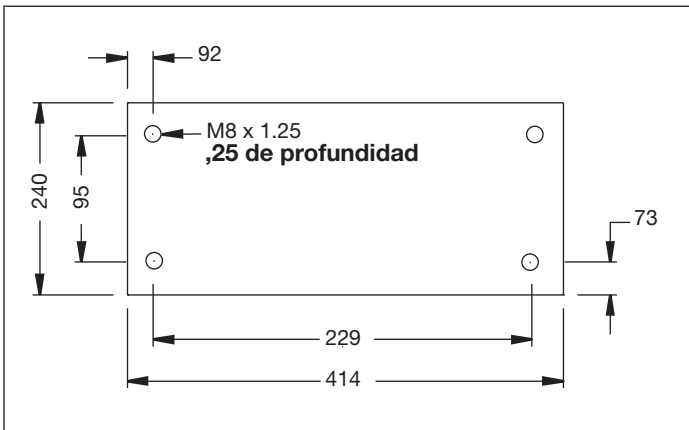


Figura 3

4.3 Conexiones del Suministro de Aire

La bomba requiere una presión de aire dinámica (4.2-7 bar) de 60-100 psi a 20-100 cfm. Conectar el suministro de aire a la toma NPT 1/2" del regulador/filtro/lubricador.

4.4 Nivel de Fluido

Verificar el nivel de aceite de la bomba antes de poner en marcha, en caso de ser necesario, agregar aceite retirando el tapón SAE N° 10 de la placa de la cubierta (véase Fig. 2). El depósito se llena cuando el nivel de aceite alcanza la parte superior del vidrio transparente. (Fig. 4).

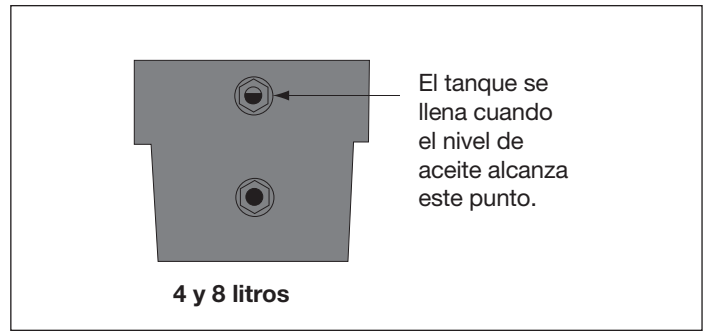


Figura 4

IMPORTANTE: Agregar aceite sólo cuando todos los componentes del sistema se encuentren completamente retraídos o el sistema puede tener más aceite del que el depósito puede contener.

4.5 Conexión de Las Mangueras Hidráulicas

Conectar las mangueras como muestra la Figura 5.

1. Bomba tipo (-E) para llaves dinamométricas Enerpac SQD y HXD. Asegurarse de utilizar mangueras que tengan la marca "ENERPAC THC-700 SERIES - 800 Bar/11,600 psi max". Los acopladores en estas mangueras se "polarizan" en fábrica para asegurar un funcionamiento correcto de la llave. (Véase Figura 5)

A. Los acopladores hembra de las mangueras y la llave tienen anillos de bloqueo que se rosca a mano, no se necesitan herramientas.

Los acopladores hembra de la bomba (-E) son autoblocantes, presionar los acopladores entre sí hasta que el anillo de fijación salte hacia adelante. Para desconectar, girar el anillo de bloqueo en sentido horario y sacar la conexión.

2. Tipo de bomba (-Q) para llaves dinamométricas Enerpac S y W y otras marcas. Utilizar mangueras que tengan la marca "Enerpac THQ-700 series-700 bar/10,000 psi max.". Los acopladores deben estar polarizados de acuerdo con la figura 5 para un funcionamiento correcto de la llave. Asegurarse que los acopladores estén bien enchufados y apretados antes de usar la llave. Los acopladores parcialmente conectados impedirán que la llave funcione correctamente.

4.6 Rellenado del lubricador de aire

Rellenar el depósito del lubricador con aceite ligero para herramientas de aire comprimido.



PRECAUCIÓN: Mantener el nivel de aceite en el lubricador es esencial para la vida útil de la bomba

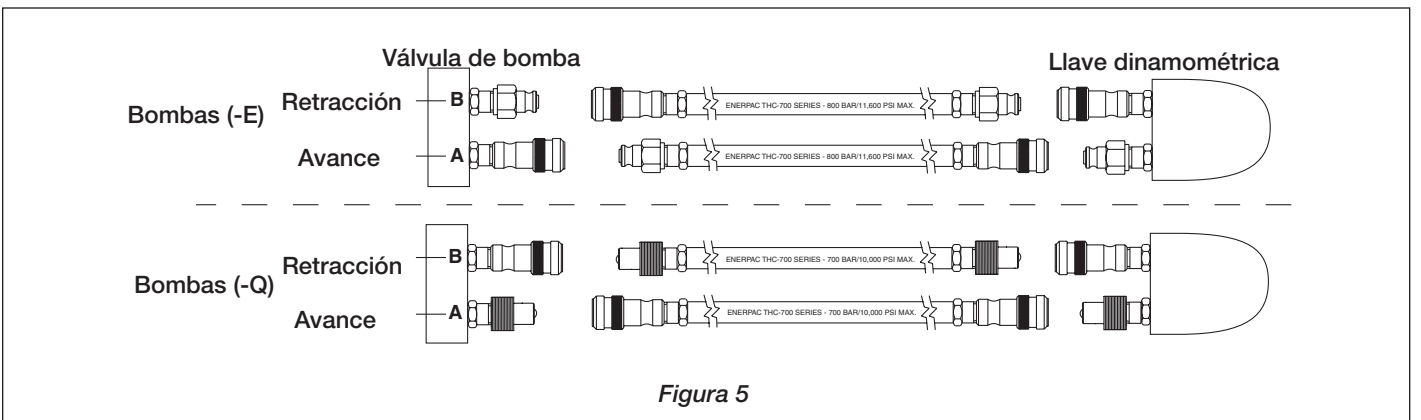


Figura 5

4.7 Ajuste del lubricador de aire

El goteo de aceite sale de fábrica cerrado, pomo (C) a tope en sentido horario. Para el ajuste inicial, conectar el aire y girar el pomo en sentido antihorario para aumentar la cadencia de goteo. Al principio establecer el goteo a una o dos gotas por minuto y retocar la cadencia cuando el sistema alcance su temperatura normal de funcionamiento.

Para verificar la lubricación, sostener un espejo cerca del escape del equipo. Si se ensucia con mucho aceite, reducir la lubricación.

4.8 Ajuste del regulador de presión de aire

Tirar del pomo para desbloquear. La presión de salida aumenta girando el pomo en sentido horario y disminuye girando en sentido antihorario. Para reducir la presión de salida, primero bajar a un valor menor que el deseado y después aumentar hasta la presión deseada. (Véase Figura 6)

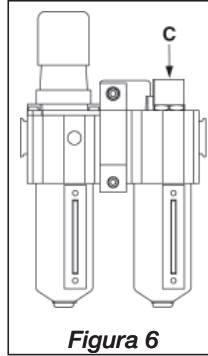


Figura 6

5.0 FUNCIONAMIENTO

IMPORTANTE: Siempre que sea posible, un solo operario debe manejar la llave dinamométrica y la bomba. Esto evitará la puesta en marcha accidental de la bomba mientras el operario esté colocando la llave.

1. Verificar todos los accesorios y conexiones del sistema para asegurar que estén bien apretados y no tengan fugas.
2. Verificar el nivel de aceite en el depósito y agregar aceite si es necesario. (Véase sección 4.4)
3. Para poner en marcha la bomba, pulsar el botón de color verde (D) "ON/ADV" de la botonera. La llave avanzará mientras se mantenga pulsado el botón verde.
4. Soltar el botón verde para que la llave retroceda. El motor permanecerá en marcha.
5. Pulsar el botón de color rojo (E) "OFF" de la botonera para parar el motor de la bomba.
6. Para liberar la presión hidráulica de la llave y las mangueras, pulsar y mantener el botón de color rojo "OFF". Pulsar y soltar el botón de color verde "ON/ADV" 3 veces o más hasta que el manómetro indique presión 0. Ahora, las mangueras se pueden retirar.

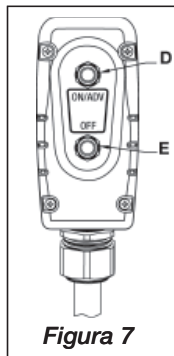


Figura 7

PRECAUCIÓN: ANTES DE DESCONECTAR EL SUMINISTRO DE AIRE, PULSAR EL BOTÓN DE COLOR ROJO "OFF" PARA ASEGURARSE DE QUE EL MOTOR ESTÁ DESCONECTADO Y PARADO.

5.1 Purga

Al conectar la llave a la bomba por primera vez, el aire quedará atrapado en los componentes. Para asegurar un funcionamiento suave y seguro, se debe eliminar el aire ciclando la llave varias veces sin carga. Ciclar hasta que la llave avance y retroceda suavemente.

Verificar el nivel de aceite antes de poner en funcionamiento.

5.2 Uso del manómetro y de las escalas superpuestas

La bomba lleva instalado un manómetro. Para facilitar las lecturas, con cada bomba se entregan escalas auxiliares que situadas sobre el manómetro permiten leer directamente los pares. (véase Fig. 8). Las escalas tienen unidades imperiales (lb-pié) en un lado y métricas (Nm) en el otro.

Para cambiar las escalas deslícelas sobre la esfera del manómetro.



ADVERTENCIA: Cada escala tiene graduación para un tamaño de llave dinamométrica Enerpac. No utilizar con otras llaves.

5.3 Cambio de las escalas

1. Quitar las tres palomillas que sostienen el bisel del manómetro (véase Fig. 9).
2. Retirar el bisel y la escala (véase Fig. 10).
3. Poner la nueva escala en el bisel, (verificar que sea la escala adecuada para la llave dinamométrica Enerpac que se esté utilizando) alineándola con las hendiduras de la parte posterior del mismo (véase Fig. 11).
4. Sosteniendo la escala detrás del bisel (véase Fig. 10), insertar el bisel en sus espárragos, moviendo la escala según sea necesario, apretar las palomillas a mano (véase Fig. 9).

El bisel presionará la escala contra el manómetro y lo asegurará en su lugar. Consultar las instrucciones de la llave dinamométrica para ver la presión requerida para producir el par deseado. Tener en cuenta que la presión máxima varía para las diferentes llaves y accesorios.



PRECAUCIÓN: Consultar las instrucciones para ver el procedimiento de manejo de la llave dinamométrica.

5.4 Ajuste de presión (de par)



ADVERTENCIA: Realizar estos ajustes ANTES de colocar la llave dinamométrica en la cabeza de la tuerca o perno. La presión a que esté tarada la bomba puede superar la presión necesaria para dar el par adecuado a la aplicación. El exceso de par puede averiar el equipo y ocasionar lesiones serias.

Las bombas Z-Class tienen una válvula de descarga ajustable por el usuario (véase Figura 12). La válvula puede ajustarse de la siguiente manera limitar el par de la llave:



Figura 8



Figura 9

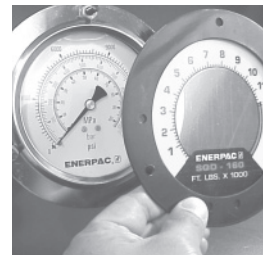


Figura 10



Figura 11

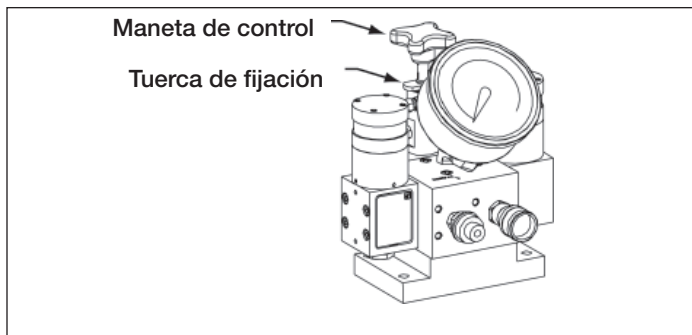


Figura 12, Relief Valve

1. Aflojar la contratuerca de la válvula de descarga y girar la maneta en sentido antihorario hasta que se note una ligera resistencia.
2. Arrancar la bomba para que el aceite vaya calentándose.
3. Pulsar y mantener el botón "ON/ADV" para presurizar el circuito de avance. Girar el pomo de la válvula de descarga en sentido horario para aumentar la presión al valor deseado.
NOTA: Para lograr un ajuste preciso, reducir la presión hasta un valor inferior al del ajuste final y aumentarla a continuación lentamente hasta que alcance el punto de ajuste definitivo.
4. Apretar la contratuerca de la válvula de descarga cuando la presión sea la deseada.
5. Soltar el botón "ON/ADV" de la botonera para permitir que la presión del sistema regrese al ajuste de derivación de la toma B. El motor continuará funcionando.
6. Comprobar de nuevo el ajuste de presión final cambiando la posición de la válvula para presurizar el sistema.

6.0 MANTENIMIENTO

Controle frecuentemente todos los componentes del sistema para detectar posibles pérdidas o daños. Repare o sustituya los componentes dañados.

6.1 Verificación del Nivel de Aceite

Verifique el nivel de aceite de la bomba antes de arrancar, y si es necesario, añadir aceite quitando el tapón de llenado.. Asegurarse siempre de que las llaves se encuentran completamente retraídas antes de agregar fluido al depósito. Véase Figura 2.

6.2 Cambio de Aceite y Limpieza del Depósito

El aceite Enerpac HF es de color azul nítido. Verificar frecuentemente la condición de contaminación del aceite comparando el aceite de la bomba con aceite Enerpac nuevo. Como regla general, drene completamente y limpie el depósito cada 250 horas, o con mayor frecuencia si se utiliza en entornos con mucha suciedad

NOTA: Este procedimiento requiere que retire la bomba del depósito. Trabajar en un banco limpio y desechar el aceite usado de acuerdo con la normativa local.

1. Soltar los 13 tornillos que sujetan la tapa al depósito y sacar la bomba del mismo, cuidando de no dañar la malla del filtro.
2. Vaciar el depósito..
3. Limpiar completamente el depósito y el imán del depósito con un agente limpiador adecuado.
4. Retirar la malla del filtro de aspiración para limpiarlo. (No tirar de la malla o de la parte inferior de la entrada para evitar posibles daños). Limpiar la malla con disolvente y una escobilla suave. Reinstalar.

5. Volver a ensamblar la bomba y el depósito, instalando una nueva junta del depósito.
6. Llenar el depósito con aceite hidráulico Enerpac. El depósito está lleno cuando el nivel de aceite está en la mitad de la mirilla (véase figura 4).

6.3 Limpieza del Silenciador

Cuando la bomba funcione durante mucho tiempo, se puede formar hielo en el silenciador y deberá eliminarse. Para limpiar el silenciador, aflojar y retirar cualquier suciedad.

6.4 Limpieza del Lubricador del Filtro de Aire

Inspeccionar con frecuencia el lubricador del filtro de aire para detectar daños. Sustituir las cubetas dañadas.

Mantener la cubeta del filtro limpia para asegurar la eficacia de filtrado. La unidad está equipada con un drenaje automático, que se abre aproximadamente a 0,2 bar (3 psig) y se cierra a aproximadamente a 0,35 bar (5 psig).

Una capa visible de suciedad o condensado en el filtro o una excesiva caída en la presión de aire indican que es necesario llevar a cabo una limpieza. Despresurizar la unidad antes de desmontar la cubeta para limpiarla.



PRECAUCIÓN: Limpiar la cubeta sólo con jabón doméstico.

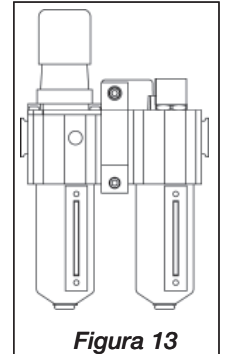


Figura 13

7.0 SOLUCIÓN DE PROBLEMAS (VÉASE GUÍA DE SOLUCIÓN DE PROBLEMAS)

Sólo técnicos cualificados en hidráulica deben dar servicio a la bomba y los componentes del sistema. Un fallo del sistema puede o no ser causado por mal funcionamiento de la bomba. Para determinar la causa del problema, el sistema completo se debe incluir en cualquier procedimiento de diagnóstico. La siguiente información debe utilizarse sólo como una ayuda para determinar si existe un problema. Para servicios de reparación, póngase en contacto con el Centro de Servicio Técnico de Enerpac local.

Guía de Solución de Problemas		
Problema	Causa Posible	Acción
La bomba no arranca	Aire cerrado o línea bloqueada	Véase sección 5.0 Funcionamiento para obtener detalles
El motor se para bajo carga	Presión de aire baja Silenciador obstruido, aire contaminado	Véase sección 6.2B y 6.3A Disminuir la carga o aumentar la fuerza del cilindro Comprobar que los conectores hidráulicos estén perfectamente acoplados
La presión no sube ó no llega al máximo	Nivel bajo de aceite Válvula de descarga tarada demasiado baja Fuga en el sistema externo Fuga interna en la bomba Fuga interna en la válvula Fuga interna en componente del sistema	Agregar aceite según la sección 4.4 Ajustar según la sección 5.4 Inspeccionar y reparar o reemplazar Consultar al centro de servicio técnico autorizado Consultar al centro de servicio técnico autorizado Consultar al centro de servicio técnico autorizado
La llave no retorna	Mal funcionamiento de la válvula Línea de retorno estrangulada o bloqueada	Consultar al centro de servicio técnico autorizado Comprobar que los conectores hidráulicos estén perfectamente acoplados
Poco caudal de aceite	Suministro de aire inadecuado Filtro de aire sucio Filtro de entrada obstruidor	Véase sección 4.3 Véase sección 6.4 Véase sección 6.4

L2675 Rev. B 08/07

Reparatie/Onderdelenlijsten voor deze producten zijn te downloaden van de Enerpac Website www.enerpac.com of verkrijgbaar via uw Enerpac Service Centre of vertegenwoordiger.

1.0 BELANGRIJKE INSTRUCTIES BIJ ONTVANGST

Controleer visueel alle onderdelen op schade opgelopen tijdens de verzending. Schade opgelopen tijdens de verzending wordt niet door de garantie gedekt. Als schade opgelopen tijdens de verzending wordt gevonden, de transporteur hier onmiddellijk van op de hoogte stellen. De transporteur is verantwoordelijk voor alle reparatie- of vervangingskosten als gevolg van opgelopen schade tijdens de verzending.

VEILIGHEID VOOROP

2.0 VEILIGHEIDSKWESTIES



Lees nauwkeurig alle instructies, waarschuwingen en let op-gedeelten. Volg alle veiligheidsvoorzieningen om persoonlijk letsel of schade aan eigendom te voorkomen als het systeem in werking is. Enerpac kan niet verantwoordelijk worden gesteld voor schade of letsels als gevolg van onveilig gebruik van dit product, gebrek aan onderhoud, of onjuiste toepassing van het product of het systeem. Neem contact op met Enerpac mocht u twijfels hebben over veiligheidsvoorzieningen en werkingen. Als u nooit een opleiding in hogedruk hydraulische veiligheid hebt gevolgd neem dan contact om met uw verdeel- of servicecentrum voor een gratis veiligheidskursus van Enerpac Hydraulic.

Het niet volgen van deze waarschuwingsboodschappen en voorzorgsmaatregelen kan schade aan de machine en persoonlijk letsel veroorzaken.

LET OP wordt gebruikt om correcte bedienings- en onderhoudsprocedures en praktijken aan te duiden om schade aan, of vernietiging van, machines of andere eigendom te voorkomen.

WAARSCHUWING wijst op een mogelijk gevaar dat de juiste procedures en praktijken vereist om persoonlijk letsel te voorkomen.

GEVAAR wordt enkel gebruikt als uw actie of gebrek aan actie ernstig letsel of zelfs de dood tot gevolg kan hebben.



WAARSCHUWING: Draag de juiste persoonlijke beschermende kleding bij het werken met hydraulische machines.



WAARSCHUWING: Blijf uit de buurt van ladingen die hydraulisch worden ondersteund. Een cilinder die wordt gebruikt als een hefinrichting mag nooit worden gebruikt als een lasthouder. Nadat de lading omhoog of omlaag is gebracht, moet deze altijd mechanisch worden geblokkeerd.



WAARSCHUWING: GEBRUIK ENKEL STIJVE MATERIALEN OM DE LADINGEN VAST TE HOUDEN. Kies met zorg stalen of houten blokken die een lading kunnen ondersteunen. Gebruik nooit een hydraulische cilinder als een pakkingschijf of een afstandstuk in enige toepassing waarbij opheffen of drukken wordt gebruikt.



GEVAAR: Om persoonlijk letsel te voorkomen, handen en voeten weghouden van de cilinder en het werkstuk tijdens de bediening.



WAARSCHUWING: Niet de nominale waarden van de machines overschrijden. Probeer nooit om een lading op te heffen die meer weegt dan de capaciteit van de cilinder. Overladen veroorzaakt falen van de machine en mogelijk persoonlijk letsel. De cilinders zijn ontworpen voor een maximale druk van 700 bar. Geen vijzel of cilinder op een pomp aansluiten die een hogere drukwaarde heeft.



Nooit de ontlastklep instellen op een hogere druk dan de maximaal nominale druk van de pomp. Hogere instellingen kunnen schade aan de machine en/of persoonlijk letsel tot gevolg hebben.



WAARSCHUWING: De bedieningsdruk van het systeem mag de nominale drukwaarde van het onderdeel met de laagste waarde in het systeem niet overschrijden. Installeer drukmeters in het systeem om de bedieningsdruk te controleren. Op die manier weet u wat er in het systeem gebeurt.



LET OP: De hydraulische slang niet beschadigen. Vermijd ombuigen en knikken bij het aanbrenge van de hydraulische slangen. Een gebogen of geknikte slang gebruiken kan ernstige tegendruk van de afvoerstroam veroorzaken. Scherpe ombuigingen en knikken beschadigen de slang aan de binnenkant wat tot vroegtijdig falen van de slang kan leiden.



Geen zware objecten op de slang laten vallen. Een scherpe impact kan interne schade aan de draadvezels van de slang veroorzaken. Druk uitoefenen op een slang die beschadigd is, kan scheuren van de slang tot gevolg hebben.



BELANGRIJK: : Hydraulische machines niet bij de slangen of de wartelkoppelingen opheffen. Gebruik de draaghandgreep of een ander middel om de machine veilig te transporteren.



LET OP: Houd de hydraulische machine weg van vlammen en hitte. Buitenmatige hitte verzacht de pakkingen en afdichtingen wat tot vloeistoflekken kan leiden. Hitte verzwakt ook slangmaterialen en pakkingen. Voor optimale prestaties van machines niet blootstellen aan temperaturen van 65°C (150°F) of hoger. Bescherm slangen en cilinders tegen lasspetters.



GEVAAR: Slangen die onder druk staan, niet aanraken. Als olie die onder druk staat ontsnapt, kan het door de huid dringen wat ernstige letsel kan veroorzaken. Als olie onder de huid wordt geïnjecteerd, onmiddellijk een arts raadplegen.



WAARSCHUWING: Gebruik hydraulische cilinders enkel in een aangesloten systeem. Nooit een cilinder gebruiken met koppelingen die niet aangesloten zijn. Als de cilinder uiterst overladen is, kunnen onderdelen op een catastrofistische manier falen wat ernstig persoonlijk letsel kan veroorzaken.



WAARSCHUWING: Zorg dat de apparatuur stabiel is opgezet alvorens lasten te heffen. De cilinder dient op een vlakke ondergrond geplaatst te worden die de last kan dragen. Gebruik waar mogelijk een ondersteuning voor de cilinder voor extra stabiliteit. De cilinder mag niet gelast of op een andere manier aangepast worden voor het bevestigen van een voetstuk of andere ondersteuning.



Vermijd situaties, waarbij de last niet aangrijpt in het hart van de cilinderplunjer. Niet-centrisch aangrijpende lasten veroorzaken aanzienlijke spanningen in de cilinder en de plunjer. Bovendien kan de last wegglijden of vallen, wat tot gevaarlijke situaties leidt.



Verdeel de last gelijkmatig over het gehele zadeloppervlak. Gebruik altijd een zadel om de plunjer te beschermen, wanneer geen hulpstukken met schroefdraad worden gebruikt.



BELANGRIJK: Hydraulische machines mogen enkel door een bevoegd hydraulisch technicus van onderhoud worden voorzien. Voor reparaties dient u contact op te nemen met een nabijgelegen bevoegd ENERPAC servicecentrum. Om uw garantie te beschermen, enkel ENERPAC olie gebruiken.



WAARSCHUWING: Versleten of beschadigde onderdelen onmiddellijk met originele ENERPAC onderdelen vervangen. Standaardonderdelen breken, wat tot persoonlijk letsel en schade aan eigendom kan leiden. ENERPAC onderdelen zijn zodanig ontworpen dat ze precies passen en hoge ladingen kunnen weerstaan.



WAARSCHUWING: Start de pomp met de klep in de neutrale stand om onopzettelijke cilinderwerking te voorkomen. Houd de handen weg van bewegende onderdelen en onder druk staande slangen.

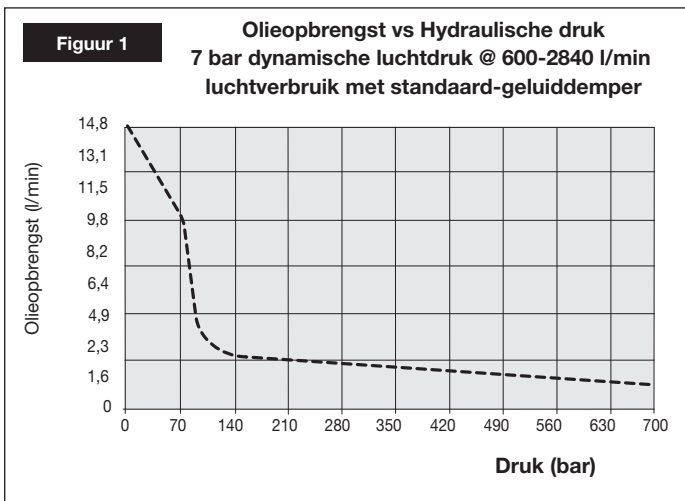


WAARSCHUWING: Deze pompen hebben inwendige, in de fabriek afgestelde drukontlastventielen, die alleen door een bevoegd Enerpac Servicecentrum mogen worden gerepareerd of bijgesteld.

3.0 SPECIFICATIES

3.1 Werkdiagram (zie het Werkdiagram hieronder)

3.2 Olieopbrengstdiagram



4.0 INSTALLATIE

Installeer of plaats de pomp zodanig dat de luchtstroming rondom de motor en pomp niet wordt belemmerd. Houd de motor schoon om tijdens de werking voor maximale afkoeling te zorgen.

4.1 Reservoir- Ontluchtingsdop (zie figuur 2)

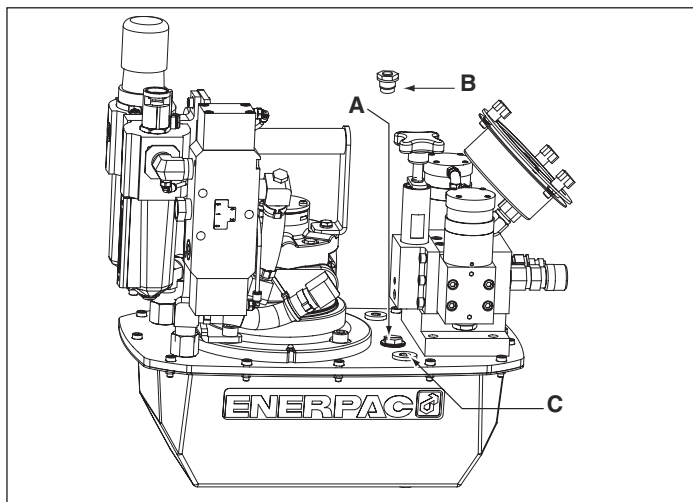
Voor transport is er een plug (A) in de ontluchtingspoort op het reservoir geïnstalleerd. Vóór gebruik moet de verzendplug worden vervangen door de ontluchtingsdop (B). N.B.: De ontluchtingspoort (B) is afzonderlijk van de olieulpoort (C). De olieulpoort (C) gebruikt een SAE nr. 10 plug.



▼ ZA4T WERKDIAGRAM

Motor- vermogen (kW)	Olieopbrengst l/min				Dynamisch luchtdrukgebied (bar)	Luchtverbruik (scfm)	Geluidsniveau bij 7 bar dynamisch (l/min)	Instelberreik drukkbelegings-ventiel (psi)
	7 bar	50 bar	350 bar	700 bar				
3,0*	15,2	12,7	2,0	1,5	4,1-6,9	20-100	600-2840	98 – 700 bar (1400-10.000 psi) voor de "Q"-versie 98 – 800 bar (1400-11.600 psi) voor de "E"-versie

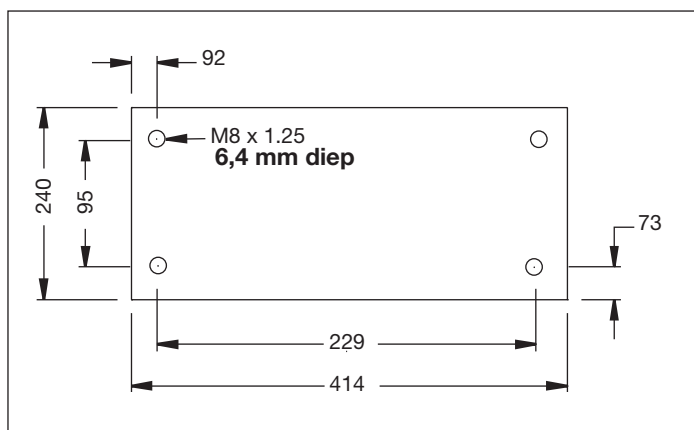
* Het feitelijke vermogen hangt af van de toepassing. Zie figuur 1.



Figuur 2, ZA4T Ontluchttingsinstallatie

4.2 Pompmontage

Raadpleeg figuur 3 voor de montageafmetingen om de pomp op een stabiel stabiele ondergrond vast te zetten.



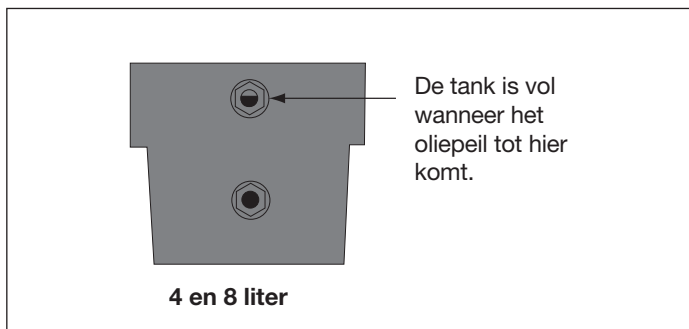
Figuur 3

4.3 Luchttoevoeraansluitingen

De pomp vereist 4,2 – 7 bar (60-100 psi) dynamische luchtdruk op 20-100 cfm. Sluit de inkomende luchttoevoer aan op de 1/2"- NPT-poort op de luchtconditioneringseenheid.

4.4 Vloeistofpeil

Controleer het oliepeil van de pomp vóór het opstarten; vul indien noodzakelijk olie bij door de SAE nr. 10 plug uit de dekplaat te verwijderen (zie fig. 2). Het reservoir is vol nadat het oliepeil de bovenkant van het kijkglas bereikt (fig. 4).



Figuur 4

BELANGRIJK: Vul alleen olie bij wanneer alle systeemonderdelen volledig ingetrokken zijn; anders bevat het systeem meer olie dan het reservoir kan houden.

4.5 Hydraulische Slangen Aansluiten

Sluit de slangen aan zoals in figuur 5 wordt getoond.

1. (-E)-pomptype voor Enerpac SQD en HXD-t-serie momentsleutels. Zorg ervoor dat slangen worden gebruikt met de markering "ENERPAC THC-700 SERIES - 800 bar/11,600 psi max". De koppelingen op deze slangen zijn op de fabriek "gepolariseerd" om de juiste sleutelwerking te verzekeren (zie figuur 5).

A. Slang en sleutel (vrouwjes-) koppelingen. De sluitringen van de koppeling met schroefdraad met de hand vastdraaien; geen gereedschappen benodigd.

B. De vrouwjeskoppelingen van de (-E)-pomp zijn zelfsluitend; druk de gepaarde koppelingen samen totdat de sluitring van de koppeling naar voren klikt. Om te ontkoppelen draait u de sluitring van de koppeling naar rechts en duwt u hem van de aansluiting weg.

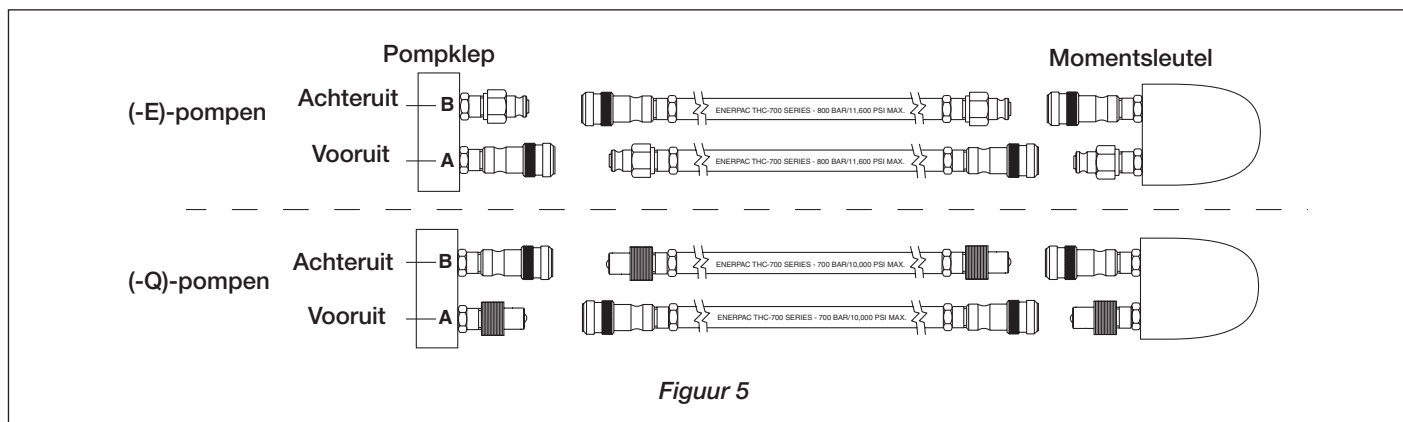
2. (-Q)-pomptype voor Enerpac S- en W-serie momentsleutels en andere merken. Gebruik slangen met de markering "Enerpac THQ-700 series-700 bar/10,000 psi max.". Voor de juiste sleutelwerking moeten de koppelingen gepolariseerd zijn, zoals afgebeeld in figuur 5. Zorg er vóór gebruik voor dat de koppelingen volledig aangesloten en vastgedraaid zijn. Gedeeltelijke aansluiting van de koppelingen voorkomt juiste momentsleutelwerking.

4.6 Het luchtsmeerapparaat vullen

Vul het reservoir van het smeeraapparaat met een licht, nevelig type olie geschikt voor persluchtapparaten



VOORZICHTIG: Het olieniveau van het smeeraapparaat op peil houden is cruciaal voor de levensduur van de pomp.



Figuur 5

4.7 Afstelling luchtsmeerapparaat

De afstelknop (C) is op de fabriek zodanig afgesteld, zodat er geen olie voor het smeren van het systeem wordt geleverd. Voor de beginafstelling schakelt u de lucht in om deluchtoevoer naar het systeem te starten. Draai aan de afstelknop om de druppelsnelheid van de olie bij te stellen. De afstelknop naar links draaien verhoogt de druppelsnelheid (zie fig. 6). Stel de druppelsnelheid eerst in op één tot twee druppels per minuut, en stel de snelheid nauwkeuriger af nadat het systeem zijn normale bedrijfstemperatuur bereikt.

Om de smering te controleren houdt u een spiegel tje bij de luchtuitlaat. Als er een aanzienlijke olielampl verschijnt, moet de smering worden verminderd.

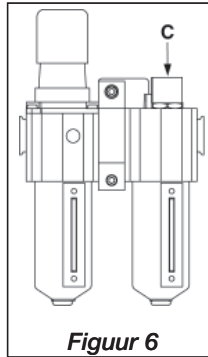
4.8 Afstelling luchtdrukreguleteur

Trek de afstelknop recht omhoog om hem te ontsluiten. De afstelknop moet naar rechts worden gedraaid voor het verhogen, en naar links voor het verlagen van de uitlaatdrukinstelling. Om de druk te verlagen moet de druk eerst lager dan gewenst worden ingesteld, en daarna op de gewenste uitlaatdruk (zie figuur 6). (See figure 6.)

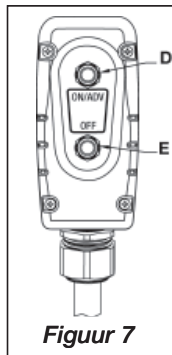
5.0 WERKING

BELANGRIJK: Indien mogelijk mag slechts één gebruiker de momentsleutel en pomp bedienen. Dit kan onopzettelijke activering van de pomp voorkomen terwijl de operator bezig is met het plaatsen van de momentsleutel

1. Controleer alle systeemfittingen en -aansluitingen, om te verzekeren dat zij goed vastzitten en niet lekken.
2. Controleer het oliepeil in het reservoir en vul indien noodzakelijk olie (zie sectie 4.4).
3. Om de pomp te starten drukt u op de groene "AAN/VOORUIT"-knop (D) op de afstandsbediening (handset). Zo lang de groene knop ingedrukt wordt gehouden gaat de sleutel vooruit.
4. Laat de groene knop los om de sleutel in te trekken. De motor blijft "AAN".
5. Druk op de rode "UIT"-knop (E) op de afstandsbediening om de pompmotor te stoppen.
6. Om de hydraulische druk op de sleutel op de slangen op te heffen houdt u de rode "UIT"-knop ingedrukt. Druk 3 keer of vaker op de groene "AAN/VOORUIT"-knop, totdat de drukmeter 0 (nul) druk aangeeft. De slangen kunnen nu worden verwijderd.



Figuur 6



Figuur 7

VOORZICHTIG: ZORG ERVOOR DAT DE MOTOR UITGESCHAKELD IS EN NIET DRAAIT DOOR OP DE RODE "UIT"-KNOP TE DRUKKEN, VOORDAT DE BRON VAN DE LUCHTTOEVOER WORDT UITGESCHAKELD OF ONTROPPELD.

5.1 Ontluchting van het hydraulisch systeem

Wanneer de momentsleutel de eerste keer op de pomp wordt aangesloten, is er lucht in het hydraulisch systeem opgesloten. Om een soepele en veilige werking te verzekeren moet de lucht worden verwijderd door de momentsleutel een aantal keren onbelast heen en weer te laten gaan totdat de sleutel zonder hapering in- en uitgaat.

Vóór gebruik het oliepeil controleren.

5.2 Werkingsprocedure van de manometer en transparante insteekmomentschalen

Op de pomp is een manometer geïnstalleerd. Gemakshalve worden bij elke pomp transparante insteekmomentschalen geleverd. Een insteekmomentschaal past over de schaalverdeling van de manometer drukmeter, en zet de drukaflezings gemakkelijk om in (aanhaal)moment-uitlezing (zie fig. 8). De insteekmomentschalen zijn voorzien van zowel Nm als Ft.lbs schaalverdeling. Om de schaalverdeling te wijzigen voor bijvoorbeeld een lagere of hogere capaciteit momentsleutel verwisselt u simpelweg van insteekmomentschaal.

WAARSCHUWING: Iedere Elk insteekmomentschaal is **UITSLUITEND** op maat gemaakt voor een specifieke Enerpac-momentsleutel, en mag niet op andere sleutels worden gebruikt.

5.3 Omwisselen van insteekmomentschaal

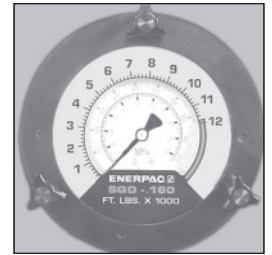
1. Verwijder de drie zwarte vleugelmoeren die de flens van de voorste meter op zijn plaats houden (zie fig. 9).
2. Verwijder de voorste flens en de insteekmomentschaal (zie fig. 10).
3. Breng de gewenste insteekmomentschaal op de flens aan (vergeet niet te verifiëren dat de juiste insteekmomentschaal op de te gebruiken Enerpac-momentsleutel wordt geplaatst), en breng de insteekmomentschaal op één lijn met de holtes aan de achterkant van de flens (zie fig. 11).
4. Houd de insteekmomentschaal achter de flens (zie fig. 10.) en zet de insteekmomentschaal op de punten van de knop; verplaats de insteekmomentschaal zoals benodigd en draai de knoppen met de hand vast (zie fig. 9).

De flens drukt de insteekmomentschaal op de manometer en houdt hem op zijn plaats. Zie de instructies voor de momentsleutel voor de vereiste hoeveelheid hydraulische druk om het gewenste aanhaalmoment te genereren. Let erop dat de maximale hydraulische druk voor de verschillende momentsleutels en toebehoren kan variëren.

VOORZICHTIG: Raadpleeg de instructies voor de momentsleutel voor de juiste moment sleutelwerking.

5.4 Druk (aanhaal)momentinstelling

WAARSCHUWING: Deze afstellingen maken **VOORDAT** de momentsleutel op de moer- of boutkop wordt geplaatst. Het is mogelijk dat de pompdrukinstelling boven de benodigde druk ligt, teneinde het vereiste (aanhaal)moment voor uw toepassing te verschaffen. Het vereiste



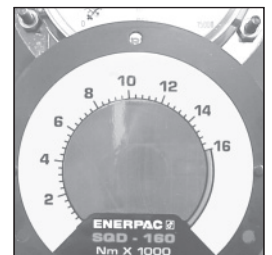
Figuur 8



Figuur 9



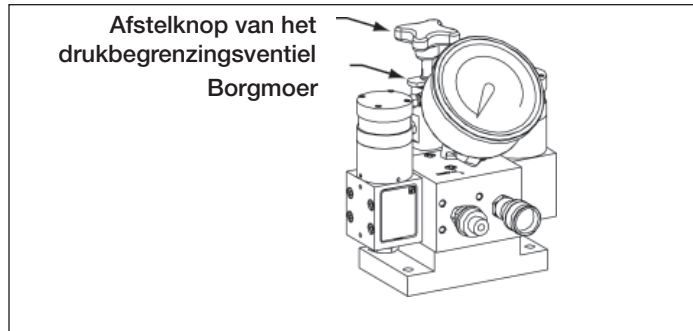
Figuur 10



Figuur 11

(aanhaal)moment overschrijden heeft schade aan de apparatuur tot gevolg en kan tot ernstig persoonlijk letsel leiden.

Z-klasse pompen zijn uitgerust met een door de gebruiker instelbaar drukbegrenzingsventiel (zie figuur 12). Om de hydraulische druk naar de momentsleutel te wijzigen kan dit als volgt worden afgesteld:



Figuur 12, drukbegrenzingsventiel

1. Draai de borgmoer los en draai de hendel naar links totdat er lichte weerstand bij het draaien wordt ondervonden.
2. Start de pomp om de olie te laten opwarmen.
3. Houd de "AAN/VOORUIT"-knop ingedrukt om druk in het vooruit-circuit op te bouwen. Draai de afstelknop van het drukbegrenzingsventiel naar rechts om de hydraulische druk tot de gewenste waarde te verhogen.

N.B.: Voor een nauwkeurige instelling verlaagt u de druk tot een punt onder de uiteindelijke instelling, en verhoogt u de druk daarna geleidelijk totdat de uiteindelijke instelling wordt bereikt.

4. Haal de borgmoer van het drukbegrenzingsventiel aan tot de gewenste drukwaarde.
5. Laat de "AAN/VOORUIT"-knop van de afstandsbediening los om de systeemdruk naar de bypass-instelling van de B-poort te laten terugkeren. De motor blijft draaien.
6. Controleer de uiteindelijke drukinstelling opnieuw door de stuurventiel te schakelen en het systeem onder druk te zetten.

6.0 ONDERHOUD

Inspecteer alle systeemonderdelen regelmatig op lekken of schade. Repareer of vervang beschadigde onderdelen.

6.1 Oliepeil Controleren

Controleer het oliepeil vóór het opstarten van de pomp en vul zo nodig olie bij door de vulpoortdop te verwijderen. Wees er te allen tijde zeker van dat de hydraulische sleutels volledig ingetrokken zijn, voordat er vloeistof aan het reservoir wordt toegevoegd. Zie figuur 2.

6.2 Olie Verversen en Reservoir Reinigen

Enerpac HF-olie heeft een helderblauwe kleur. Controleer de conditie van de olie regelmatig op verontreiniging door de olie van de pomp te vergelijken met verse Enerpac-olie. Over het algemeen moet het reservoir om de 250 uur volledig worden afgetapt en gereinigd, of vaker wanneer in vuile omgevingen wordt gewerkt.

N.B.: Deze procedure vereist dat u de pomp uit het reservoir verwijdert. Werk op een schone werkbank en voer de gebruikte olie volgens de plaatselijke voorschriften af.

1. Schroef de 13 bouten los waarmee de dekplaat op het reservoir is gemonteerd, en til de pompeenheid uit het reservoir. Zorg ervoor dat u het filterscherm niet beschadigt.

2. Tap alle olie af uit het reservoir.
3. Maak het reservoir en de reservoirmagneet grondig schoon met een geschikt reinigingsmiddel.
4. Verwijder het uitneembare filterscherm om hem te reinigen (niet aan het scherm of de onderkant van de inlaat trekken om mogelijke schade te voorkomen). Maak het scherm met een oplosmiddel en een zachte borstel schoon en zet hem weer terug.
5. Monteer de pomp en het reservoir opnieuw, en installeer een nieuwe pakkingring in het reservoir.
6. Vul het reservoir met schone Enerpac hydraulische olie. Het reservoir is vol wanneer het oliepeil het midden van het kijkglas bereikt (zie figuur 4).

6.3 De Geluidsdemper Reinigen

Als de pomp lange tijd achtereen wordt gebruikt, is het mogelijk dat er ijs op het geluidsdempelement wordt gevormd, dat moet worden verwijderd. Om de geluidsdemper te reinigen moet hij eraf worden geschroefd en alle vuil worden verwijderd.

6.4 Het Luchtfilter-smeerapparaat Reinigen

La unidad está equipada con un drenaje automático, que se abre aproximadamente a 0,2 bar (3 psig) y se cierra a aproximadamente a 0,35 bar (5 psig).

Inspecteer het luchtfilter-smeerapparaat regelmatig op schade. Vervang beschadigde kommen.

Houd de filterkom schoon voor het handhaven van de filtreerefficiëntie. De eenheid is uitgerust met een automatische aftap die rond 0,2 bar opent en rond 0,3 bar sluit.

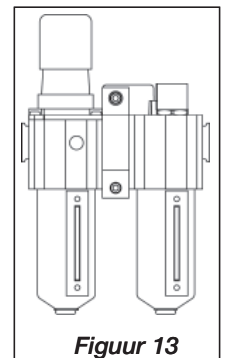
Een zichtbare laag van vuil of condensaat op het filterelement of een overmatige daling in de luchtdruk duidt erop dat reiniging noodzakelijk is. Laat de druk uit de eenheid ontsnappen voordat de kom voor reiniging wordt verwijderd. Draai de smeerventilatie (H) niet tijdens het onder druk zetten van het systeem; dit heeft het uitstoten van olie tot gevolg.



VOORZICHTIG Reinig de filterkom uitsluitend met huishoudzeep.

7.0 PROBLEEMOPLOSSING (ZIE DE PROBLEEMOPLOSSINGSGIDS)

Uitsluitend bevoegde hydraulische technici mogen onderhoud aan de pomp of systeemonderdelen verrichten. Een systeemstoring kan al dan niet het gevolg zijn van een pompdefect. Om de oorzaak van het probleem vast te stellen moet het volledige systeem in een diagnoseprocedure worden betrokken. De volgende informatie is uitsluitend bedoeld om te worden gebruikt als hulpmiddel om vast te stellen of er een probleem aanwezig is. Voor reparatieonderhoud neemt u contact op met uw plaatselijke bevoegde Enerpac Servicecentrum.



Figuur 13

Probleemoplossingsgids		
Probleem	Mogelijke Oorzaak	Actie
Pomp start niet	Lucht uitgeschakeld of leiding geblokkeerd	Zie voor details sectie 5.0 Werking
De motor slaat af bij belasting	Lage luchtdruk Geluiddemper verstopt; verontreinigde lucht	Zie sectie 6.2B en 6.3A Verminder de belasting of pas een zwaardere momentsleutel toe Controleer of de hydraulische koppelingen volledig zijn gekoppeld
De pomp bouwt geen druk op of bereikt niet de ingestelde druk	Laag oliepeil Drukbeperzingsventiel te laag ingesteld Uitwendig systeemlek Inwendig lek in de pomp Inwendig lek in de klep Inwendig lek in het systeemonderdeel	Olie bijvullen volgens sectie 4.4 Afstellen volgens sectie 5.4 Inspecteren en repareren of vervangen Raadpleeg bevoegd servicecentrum Raadpleeg bevoegd servicecentrum Raadpleeg bevoegd servicecentrum
De sleutel kan niet worden ingetrokken	Klepdefect Retourleiding te klein of geblokkeerd	Raadpleeg bevoegd servicecentrum Controleer of de koppelingen volledig zijn gekoppeld
Lage lieopbrengst	Onvoldoende luchttoevoer Vuil luchtfilter Verstopt inlaatfilter	Zie sectie n 4.3 Zie sectie 6.4 Zie sectie 6.4

**Bomba com Acionamento Pneumático
para Torquímetro ZA4T**

L2675 Rev. B 08/07

Folhas de Instrução para este produto estão disponíveis no Site de Enerpac - www.enerpac.com, ou no Centro de Serviço Autorizado mais próximo, ou com o Escritório de Vendas Enerpac.

1.0 INSTRUÇÕES IMPORTANTES NO RECEBIMENTO

Inspecione visualmente todos os componentes verificando se houve avarias durante o transporte. Avarias no transporte não são cobertas pela garantia. Caso haja avarias no transporte, avise o transportador imediatamente. O transportador é responsável por todos os custos de consertos e substituições decorrentes de avarias ocorridas no transporte.

SEGURANÇA EM PRIMEIRO LUGAR**2.0 ASSUNTOS DE SEGURANÇA**

Leia cuidadosamente todas as instruções, advertências e avisos sobre precaução. Siga todas as recomendações de segurança para evitar lesões pessoais ou danos à propriedade durante a operação do sistema. Enerpac não pode ser responsável por danos ou lesões pessoais resultantes do uso indevido do produto, falta de manutenção ou operação inadequada do produto e/ou sistema. Entre em contato com Enerpac quando houver dúvidas sobre as recomendações de segurança e operações. Se você nunca recebeu treinamento em segurança na hidráulica de alta pressão, consulte o seu distribuidor ou centro de serviço sobre um curso de segurança hidráulica Enerpac.

Falhas no cumprimento das advertências e avisos de precaução podem causar lesões pessoais e avarias ao equipamento.

PRECAUÇÃO é usada para indicar a operação correta ou os procedimentos e métodos de manutenção para prevenir o dano, a destruição do equipamento ou outras propriedades.

ADVERTÊNCIA indica um perigo potencial que exige procedimentos ou métodos corretivos para evitar lesões pessoais.

PERIGO é usado somente quando a ação ou a falta da mesma podem causar lesões sérias ou mesmo a morte.



ADVERTÊNCIA: Use equipamentos individuais de proteção quando acionar equipamentos hidráulicos.



ADVERTÊNCIA: Mantenha distância de cargas apoiadas por cilindros hidráulicos. Um cilindro, quando utilizado como dispositivo de levantamento, jamais deve ser usado como dispositivo de sustentação de carga. Depois de haver sido levantada ou baixada, a carga deve sempre ser bloqueada mecanicamente.



ADVERTÊNCIA: USE SOMENTE PEÇAS RÍGIDAS PARA APOIAR AS CARGAS. Selecione cuidadosamente blocos de madeira ou ferro que sejam capazes de sustentar a carga. Nunca use um cilindro hidráulico como um calço ou espaçador em qualquer aplicação de levantamento ou prensagem.



PERIGO: Para evitar lesões pessoais mantenha mãos e pés longe do cilindro e da área de trabalho durante a operação.



ADVERTÊNCIA: Não exceda a capacidade do equipamento. Nunca tente levantar uma carga mais pesada que a capacidade do cilindro. Excesso de carga pode causar falhas no equipamento e possíveis lesões pessoais. Os cilindros são projetados para uma pressão máxima de 700 bar (10.000 psi). Não faça a ligação entre um macaco ou um cilindro com uma bomba com capacidade maior de pressão.



Nunca ajuste uma válvula de alívio com pressão maior que a capacidade de pressão máxima da bomba. Ajustes maiores podem resultar em danos ao equipamento e/ou lesões pessoais.



ADVERTÊNCIA: A pressão de operação do sistema não deve exceder a capacidade de pressão do componente de menor capacidade no sistema. Instale manômetros de pressão no sistema para monitorar a pressão de operação. É a sua janela para o que está acontecendo no sistema.



PRECAUÇÃO: Evite danificar mangueiras hidráulicas. Evite curvas ou dobras pronunciadas quando direcionar as mangueiras hidráulicas. O uso de uma mangueira curvada ou dobrada causará aumento na pressão de retorno. Curvas ou dobras pronunciadas danificarão a mangueira internamente, levando a um desgaste prematuro.



Não derrube objetos pesados na mangueira. Um forte impacto pode causar danos à trama interna de aço da mangueira. A aplicação de pressão em uma mangueira danificada pode causar a sua ruptura.



IMPORTANTE: Não levante o equipamento hidráulico pela mangueira ou pelos engates. Use manoplas ou outros meios mais seguros para o transporte.



PRECAUÇÃO: Mantenha o equipamento hidráulico longe do calor e das chamas. O calor excessivo amolece vedações e selos, resultando em vazamento de fluidos. O calor também enfraquece o material das mangueiras

e das juntas. Para um desempenho otimizado não exponha o equipamento a temperaturas maiores que 65 °C (150 °F). Proteja mangueiras e cilindros dos respingos de solda.



PERIGO: Não manuseie mangueiras pressurizadas. O escape do óleo sob pressão pode penetrar na pele, causando lesões sérias. Se o óleo penetrar na pele, procure um médico imediatamente.



ADVERTÊNCIA: Use somente cilindros hidráulicos num sistema acoplado. Nunca use um cilindro com engates não conectados. Caso o cilindro se torne extremamente sobrecarregado, os componentes podem falhar catastróficamente, causando severas lesões pessoais.



ADVERTÊNCIA: ESTEJA CERTO QUE A MONTAGEM É ESTÁVEL ANTES DE LEVANTAR A CARGA. Os cilindros devem ser colocados em superfícies planas que podem apoiar a carga. Quando aplicável, use uma base de cilindro Enerpac para aumentar a estabilidade. Não faça soldas ou, de qualquer forma, modifique o cilindro para acrescentar uma base ou outro apoio.



Evite situações em que as cargas não estão centradas na haste do cilindro. Cargas fora de centro podem causar deformações consideráveis nas hastes e nos cilindros. Além disso, a carga pode escorregar ou cair, causando resultados potencialmente perigosos.



Distribua a carga uniformemente em toda a superfície do assento. Use sempre um assento para proteger a haste.



IMPORTANTE: Somente técnicos em hidráulica, devidamente qualificados, devem fazer a manutenção de equipamentos hidráulicos. Para serviços de manutenção, entre em contato com o Centro de Serviço Autorizado Enerpac em sua área. Para proteger sua garantia, use somente óleo Enerpac.



ADVERTÊNCIA: Substitua imediatamente peças gastas ou danificadas por peças genuínas Enerpac. Peças não genuínas podem quebrar, causando lesões pessoais ou danos à propriedade. As peças Enerpac são projetadas para se encaixar adequadamente e sustentar cargas pesadas.



AVISO: Acione a bomba com a válvula na posição neutro para evitar uma operação acidental do cilindro. Mantenha as mãos longe de partes móveis e de mangueiras pressurizadas.

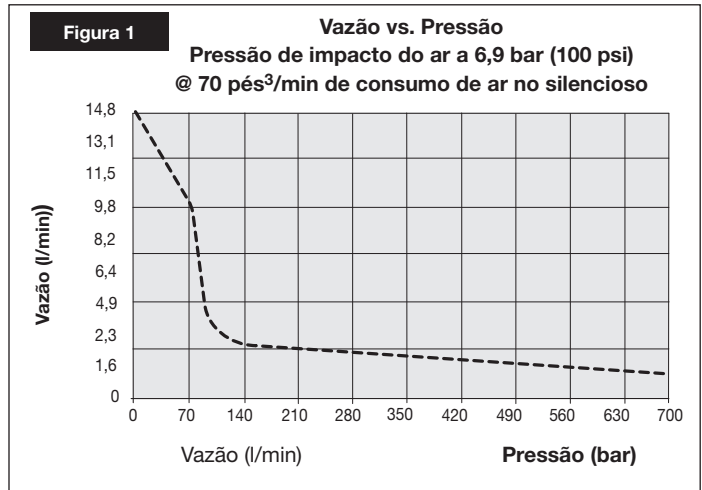


AVISO: Estas bombas têm válvulas internas de alívio, pré-ajustadas de fábrica, que não devem ser consertadas ou ajustadas exceto por um Centro Autorizado de Serviços Enerpac.

3.0 ESPECIFICAÇÕES

3.1 Tabela de Desempenho (ver Tabela de Desempenho abaixo)

3.2 Diagrama de Vazão



4.0 INSTALAÇÃO

Instale ou posicione a bomba de forma que a vazão de ar ao redor do motor e da bomba não esteja obstruída. Mantenha o motor limpo para garantir o máximo de resfriamento durante a operação.

4.1 Tampa do Respiro do Reservatório (Ver Figura 2)

Para o transporte, um bujão (A) é instalado na saída do respiro na parte superior do reservatório. Antes do uso, substitua o bujão de transporte pela tampa do respiro (B). NOTA: A saída do respiro (B) é separada da saída de abastecimento de óleo (C). A saída de abastecimento de óleo (C) usa um bujão SAE #10.

Ex II 2 GD ck T4

▼ TABELA DE DESEMPENHO DA ZA4T

Tamanho do Motor (hp)	Vazão de Saída tros/min				Pressão de Impacto do Ar (bar)	Consumo de Ar (pés ³ /min)	Nível de Ruído @ 7 bar de impacto (dBA)	Faixa de Ajuste da Válvula de Alívio (bar)
	7 bar	50 bar	350 bar	750 bar				
4*	15,2	12,7	2,0	1,5	4-7	20-100	80-95	100-700 para versão "Q" 100-800 para versão "E"

*Consumo real de energia elétrica varia de acordo com a aplicação. Ver Figura 1.

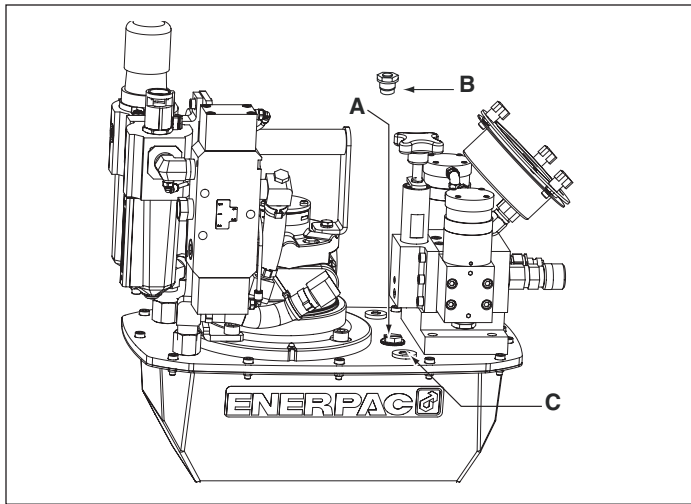


Figura 2, Instalação do Respiro ZA4T

4.2 Montagem da Bomba

Veja a Figura 3 para as dimensões de montagem, certificando-se de que a bomba esteja fixada em superfície firme.

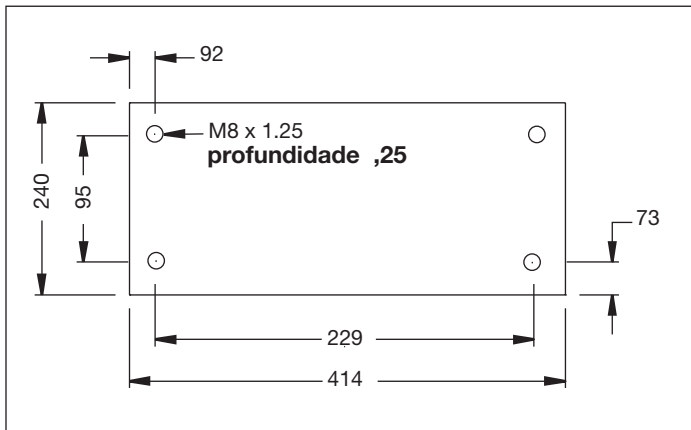


Figura 3

4.3 Conexões para Suprimento de Ar

Bomba requer 4,2-7 bar (60-100 psi) de pressão de impacto de ar a 20-100 cfm. Conecte o suprimento de entrada do ar à saída de 1/2" NPT do Regulador-Filtro-Lubrificador

4.4 Nível de Fluido

Verifique o nível de óleo antes de acionar a bomba, se necessário acrescente óleo, removendo o bujão SAE #10 da placa de cobertura (ver Fig. 2). O reservatório está cheio quando o nível de óleo atinge a parte superior do visor de vidro. (Fig. 4).

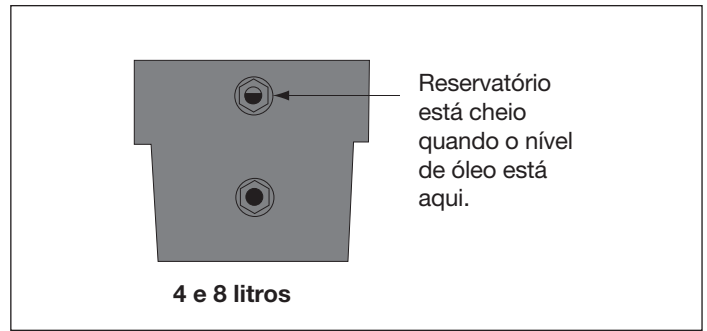


Figura 4

IMPORTANTE: Acrescente óleo somente quando todos os componentes do sistema estiverem retraídos, ou haverá mais óleo no sistema do que o reservatório pode conter.

4.5 Conecte as Mangueiras Hidráulicas

Conecte as mangueiras conforme demonstrado na Figura 5.

1. Bomba tipo (-E) para Torquímetros Enerpac SQD e HXD. Use as mangueiras com a marca "ENERPAC Série THC-700 - 800 Bar/11.600 psi max." Os engates destas mangueiras são "polarizados" de fábrica para garantir a correta operação de torque. (Ver figura 5.)

A. Engates tipo fêmea para mangueira e torquímetro. Aperte com as mãos a rosca do anel trava de segurança, não há necessidade de ferramentas.

B. Os engates tipo fêmea da bomba (-E) são auto travantes, pressione os engates correspondentes até que o anel trava se encaixe. Para desconectar, gire o anel trava do engate no sentido horário, e retire-o da conexão

2. Bomba tipo (-Q) para Torquímetros Enerpac S e W e outras marcas.. Use as mangueiras com a marca "Enerpac Série THQ-700-700 bar/10.000 psi max.". Os engates devem ser polarizados, conforme figura 5 para correta operação de torque. Certifique-se de que os engates estão totalmente acoplados e apertados antes do acionamento. Um acoplamento parcial dos engates não vai permitir a correta operação de torque.

4.6 Abastecimento do Lubrificador de Ar

Abasteça o reservatório do lubrificador com uma camada muito fina de óleo, adequada para ferramentas de ar comprimido



PRECAUÇÃO: Manter o nível do lubrificador de óleo é crítico para a vida da bomba.

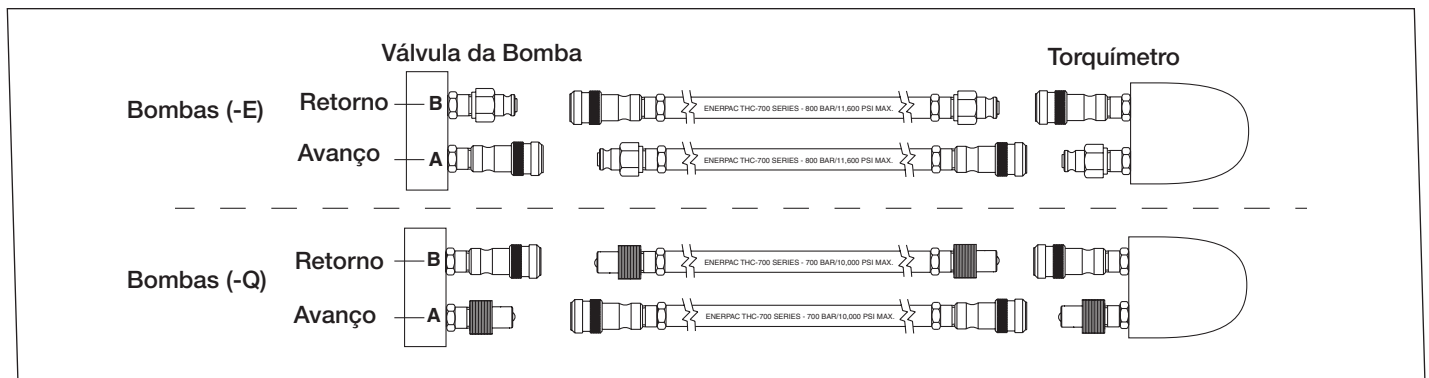


Figura 5

4.7 Ajuste do Lubrificador de Ar

O botão de ajuste (C) é regulado de fábrica, totalmente no sentido horário, assim não há entrada de óleo para lubrificar o sistema. Para fazer o ajuste inicial, conecte o ar e faça com que passe pelo sistema. Gire o botão para ajustar a faixa do gotejamento de óleo. O giro do botão no sentido anti-horário vai aumentar a faixa de gotejamento. (ver Fig. 6). Inicialmente, defina a faixa de gotejamento para uma ou duas gotas por minuto, e faça o ajuste fino da faixa depois que o sistema atinja sua temperatura normal de operação.

Para verificar a lubrificação, segure um espelho perto do escapamento do equipamento. Caso apareça uma película pesada, reduza a lubrificação.

4.8 Ajuste do Regulador de Pressão do Ar

Puxe o botão para cima para destravar. O botão de ajuste deve ser girado no sentido horário para aumentar e no sentido anti-horário para diminuir a regulagem de pressão de escoamento. Para reduzir a pressão, primeiro diminua a uma pressão menor do que a desejada, depois aumente para a pressão de escoamento desejada. (Ver figura 6.)

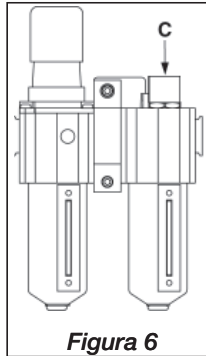


Figura 6

5.0 OPERAÇÃO

IMPORTANTE: Sempre que possível, apenas um usuário deveria operar o torquímetro e a bomba. Isto pode evitar um acionamento acidental da bomba, enquanto o operador estiver posicionando o torquímetro

1. Verifique todas as conexões e engates rápidos para ter certeza de que estão apertados e sem vazamentos.
2. Verifique o nível de óleo do reservatório e acrescente, se necessário. (ver seção 4.4)
3. Para acionar a bomba, pressione o botão verde "ON/ADV" (D) no controle (aparelho de mão). O torquímetro vai avançar enquanto o botão verde é mantido pressionado.
4. Libere o botão verde para que o torquímetro retorne. O motor permanecerá "ON". ("Ligado")
5. Pressione o botão vermelho "OFF" ("Desligado") (E) no controle para parar o motor da bomba.
6. Para liberar a pressão hidráulica no torquímetro e nas mangueiras, pressione e mantenha pressionado o botão vermelho "OFF". Pressione e libere o botão verde "ON/ADV" 3 ou mais vezes até que a leitura do manômetro de pressão indique 0. As mangueiras podem, agora, ser removidas.

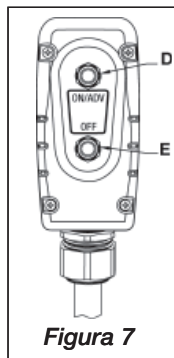


Figura 7

PRECAUÇÃO: CERTIFIQUE-SE DE QUE O MOTOR ESTÁ DESLIGADO E NÃO GIRANDO, PRESSIONANDO O BOTÃO VERMELHO "OFF", ANTES DE DESLIGAR OU DESCONECTAR O SUPRIMENTO DE AR.

5.1 Remoção do Ar

Quando o torquímetro é conectado à bomba pela primeira vez, haverá ar nos componentes. Para garantir uma operação segura e suave, remova o ar acionando o torquímetro diversas vezes, sem carga. Acione até que o torquímetro avance e retorne sem vacilar.

Verifique o nível de óleo antes da operação.

5.2 Procedimentos de Operação do Manômetro e do Mostrador

A bomba é fornecida com um manômetro de pressão já instalado. Para sua conveniência, Mostradores de torque são fornecidos com cada bomba. Um Mostrador para torque pode ser posicionado sobre o manômetro com mostrador sobreposto e converte facilmente as leituras de pressão para leituras de torque (ver Fig. 8). O Mostrador tem as unidades no sistema imperial (Pés-Libras.) de um lado e unidades no sistema métrico (Nm) do outro. Para trocar de escalas, escorregue simplesmente o Mostrador

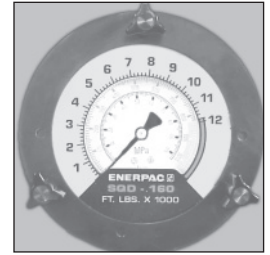


Figura 8

AVISO: Cada Mostrador é dimensionado para SOMENTE um torquímetro Enerpac específico. Não utilize com outros torquímetros.

5.3 Trocando o Mostrador

1. Remova as três porcas tipo borboleta que mantêm em posição o flange do visor do manômetro. (ver Fig. 9).
2. Remova o flange frontal e o Mostrador (ver Fig. 10.)
3. Insira um novo Mostrador (lembre-se de verificar se é o Mostrador correto para o torquímetro Enerpac que está sendo usado) sobre o flange, alinhando-o com os furos da parte posterior do flange (ver Fig. 11).
4. Enquanto segura o Mostrador por trás do flange (ver Fig. 10.) insira o flange sobre a cabeça do botão, re-posicionando o Mostrador, conforme necessário e fixe o botão com um aperto de dedos (ver Fig. 9).

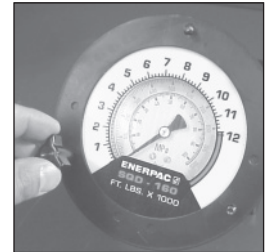


Figura 9



Figura 10

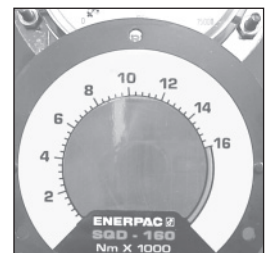


Figura 11

O flange vai pressionar o Mostrador sobre o manômetro, prendendo-o em posição. Veja as instruções do torquímetro sobre a quantidade de pressão necessária para produzir o torque desejado. Note que a pressão máxima varia para torquímetros e acessórios diferentes.

PRECAUÇÃO: Veja as instruções sobre torquímetros para os procedimentos de operação.

5.4 Ajuste de Pressão (Torque)

AVISO: Faça estes ajustes ANTES de posicionar o torquímetro sobre a porca ou a cabeça do parafuso. O ajuste de pressão da bomba pode estar acima da pressão necessária para fornecer o torque exigido à sua aplicação. Exceder o torque necessário pode causar danos ao equipamento e levar a sérios acidentes pessoais.

As bombas Z-Class são equipadas com uma válvula de alívio ajustável pelo usuário (ver Figura 12.) Para limitar o avanço para o torquímetro, pode-se ajustar conforme a seguir:

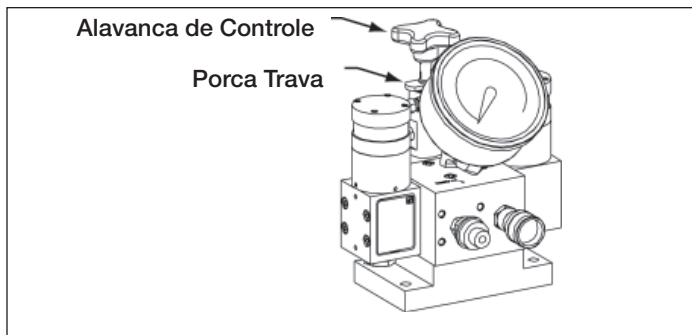


Figura 12, Válvula de Alívio

1. Afrouxe a porca trava da válvula de alívio e gire a alavanca no sentido anti-horário até que sinta uma leve resistência ao girar.
2. Acione a bomba, permitindo o aquecimento do óleo.
3. Pressione e mantenha pressionado o botão "ON/ADV" para gerar pressão no circuito de avanço. Gire a alavanca de controle da válvula de alívio para aumentar a pressão até o valor desejado.
NOTA: Para obter um ajuste mais preciso, diminua a pressão até um ponto abaixo do nominal e depois, vagarosamente, aumente-a até que a pressão pré-estabelecida seja atingida.
4. Aperte a porca trava quando a pressão nominal for alcançada.
5. Libere o botão do controle "ON/ADV" para permitir que a pressão do sistema volte ao by-pass da saída B. O motor continuará a funcionar.
6. Verifique novamente o ajuste da pressão final mudando a válvula e pressurizando o sistema.

6.0 MANUTENÇÃO

Inspecione freqüentemente todos os componentes do sistema para vazamentos e danos. Conserte ou substitua os componentes danificados..

6.1 Verifique o Nível de Óleo

Verifique o nível de óleo da bomba antes de acioná-la, e acrescente óleo, se necessário, removendo a tampa da saída de abastecimento. Certifique-se sempre de que os torquímetros hidráulicos estão totalmente retraídos antes de adicionar fluido ao reservatório. Ver Figura 2.

6.2 Troca de Óleo e Limpeza do Reservatório

Óleo Enerpac HF é transparente e de cor azul. Verifique freqüentemente suas condições quanto à contaminação, comparando o óleo da bomba com óleo Enerpac novo. Como regra geral, esvazie completamente e limpe o reservatório a cada 250 horas, ou com maior freqüência, caso utilizado em ambientes sujos.

NOTA: Este procedimento exige que a bomba seja retirada do reservatório. Trabalhe sobre uma bancada limpa e descarte adequadamente o óleo usado de acordo com a legislação local.

1. Solte os 13 parafusos que fixam a tampa e remova a bomba de dentro do reservatório. Tome cuidado para não danificar a tela do filtro.
2. Drene todo o óleo do reservatório.
3. Limpe cuidadosamente o reservatório e o imã, usando um detergente apropriado.
4. Remova o filtro de tela da entrada para limpeza. (Não remova a tela ou o fundo da entrada para evitar possíveis problemas).

Limpe a tela com solvente e pincel macio. Instale o filtro novamente.

5. Monte novamente a bomba no reservatório, usando uma gaxeta nova.
6. Encha o reservatório com óleo hidráulico Enerpac novo. O reservatório está cheio quando o nível do óleo atinge a metade do visor do manômetro. (ver figura 4).

6.3 Limpando o Silencioso

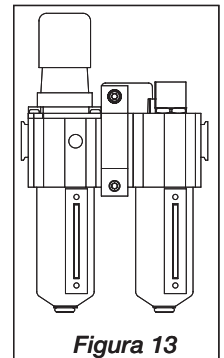
Quando a bomba está trabalhando por longos períodos, pode haver formação de gelo no elemento do silencioso, que deve ser removido. Para limpar o silencioso, desaparafuse e remova qualquer detrito.

6.4 Limpando o Filtro do Lubrificador de Ar

Inspecione com freqüência o Filtro do Lubrificador de Ar para detectar danos. Substitua os copos danificados.

Mantenha o copo do filtro limpo para conservar a eficiência de filtragem. A unidade está equipada com um dreno automático, que abre ao redor de 3 psig e fecha a, aproximadamente, 5 psig.

Uma camada visível de sujeira ou de condensação no elemento do filtro ou uma queda excessiva da pressão do ar indicam que a limpeza é necessária. Despressurize a unidade antes de remover o copo para limpeza. Não gire o respiradouro de lubrificação (H) enquanto o sistema estiver pressurizado, ou o óleo será expelido.



PRECAUÇÃO: Limpe o filtro do copo somente com sabão caseiro.

7.0 SOLUCIONANDO PROBLEMAS (VEJA O GUIA DE SOLUÇÕES DE PROBLEMAS)

Somente técnicos qualificados em hidráulica deveriam fazer a manutenção da bomba ou dos componentes do sistema. Uma falha no sistema pode ou não ser o resultado do mau funcionamento da bomba. Para determinar a causa do problema, o sistema completo deve ser incluído em qualquer procedimento de diagnóstico. A seguinte informação deve ser usada somente como uma ajuda na determinação de existência de um problema. Para serviço de conserto, entre em contato com seu Centro Autorizado de Serviços Enerpac.

Guia de Soluções de Problemas

Problema	Causas Possíveis	Ação
Bomba não dá partida	Ar desligado ou linha bloqueada	Ver seção 5.0 Operação para detalhes
Motor enguiça sob carga	Baixa pressão de ar Silencioso tampado; ar contaminado	Ver seção 6.2B e 6.3A Reduza a carga ou aumente a capacidade do cilindro Verifique os engates hidráulicos para encaixe total
Bomba não sustenta a pressão ou bomba não atinge a pressão máxima	Baixo nível de óleo Ajuste muito baixo da válvula de alívio Vazamento externo do sistema Vazamento interno na bomba Vazamento interno na válvula Vazamento interno de componente do sistema	Acrescente óleo, conforme seção 4.4 Ajuste conforme seção 5.4 Inspeccione e conserte ou substitua Veja um centro autorizado de serviços Veja um centro autorizado de serviços Veja um centro autorizado de serviços
Torquímetro não retorna	Mau funcionamento da válvula Linha de retorno de vazão restrita ou bloqueada	Veja um centro autorizado de serviços Verifique os engates hidráulicos para encaixe total
Baixa vazão de óleo	Suprimento inadequado de ar Filtro de ar sujo Entrada do filtro travada	Ver seção 4.3 Ver seção 6.4 Ver seção 6.4

L2675 Rev. B 08/07

Korjausosaluettelo tälle tuotteelle on saatavilla Enerpacin verkkosivulta www.enerpac.com, tai lähimmästä valtuutetusta Enerpac-huoltokeskuksesta tai Enerpac-myyntitoimistosta.

1.0 TÄRKEÄT VASTAANOTTO-OHJEET

Tarkista silmämääräisesti kaikki osat kuljetusvaurioiden varalta. Takuu ei kata kuljetusvaurioita. Jos kuljetusvaurioita löytyy, niin ilmoita kuljetusliikkeelle välittömästi. Kuljetusliike on vastuussa kaikista korjauksista ja korvauskustannuksista, jotka ovat johtuvat kuljetusvaurioista.

TURVALLISUUS ENNEN KAIKKEA

2.0 VAROTOIMENPITEET



Read all instructions, warnings and cautions Lue kaikki ohjeet ja varoitukset huolellisesti. Noudata kaikkia varotoimenpiteitä estääksesi vammoja tai omaisuuden vaurioitumista käytön aikana.

Enerpac ei ole vastuussa vaurioista tai vammoista, jotka johtuvat tuotteen turvattomasta käytöstä, huollon puutteesta tai tuotteen ja/tai järjestelmän vääristä käytöstä. Ota yhteys Enerpaciin kun olet epävarma varotoimenpiteistä ja käytöstä. Jos et ole koskaan koulutautunut korkeapaineisen hydraulijärjestelmän turvallisuuteen, ota maahantuojaan tai palvelukeskukseen, jotta voit ottaa osaa Enerpacin ilmaiseen hydraulijärjestelmän turvakurssiin.

Seuraavien varoitusten noudattamatta jättäminen voi aiheuttaa laitevaurioita ja vammoja.

VAROVAISUUS -tekstiä käytetään ilmaisemaan oikeat käyttö- tai huoltotoimenpiteet ja käytännöt vaurioiden estämiseksi, tai laitteen tai muun omaisuuden tuhoutumisen estämiseksi.

VAROITUS -tekstiä käytetään ilmaisemaan mahdollinen vaara, joka vaatii oikeita toimenpiteitä tai käytäntöjä vammojen välttämiseksi.

VAARA -tekstiä käytetään vain kun toiminta tai sen puute voi aiheuttaa vakavan vamman tai jopa kuoleman.



VAROITUS: Käytä henkilökohtaisia suojavarusteita kun käytät hydraulilaitteita.



VAROITUS: Pysy etäällä hydrauliiikan kannattelemista kuormista. Sylinteriä, jota käytetään kuorman nostolaitteena, ei pitäisi koskaan käyttää kuorman kannattelulaitteena. Kun kuorma on nostettu tai laskettu, se pitää aina tukea mekaanisesti.



VAROITUS: KÄYTÄ VAIN JÄYKKIÄ OSIA KANNATTELEMAAN KUORMIA. Valitse huolellisesti teräs- tai metalliesteet, jotka kykenevät kannattelemaan kuormaa. Älä koskaan käytä hydraulisynteriä kiilana tai välikappaleena nosto- tai puristussovelluksille.



VAARA: Henkilövammojen välttämiseksi pidä kädet ja jalat etäällä kirstysavaimen vastavoimasta ja työkalusta käytön aikana.



VAROITUS: Älä ylitä laitteiston luokituskuormia. Älä koskaan yritä nostaa kuormaa, joka painaa sylinterin



kapasiteettia enemmän. Ylikuormitus aiheuttaa laitteiston pettämisen ja mahdollisesti vammoja. Sylinterille suunniteltu maksimipaine on 700 bar [10,000 psi]. Älä kytke pumppuun tunkkia tai sylinteriä, jonka painekuormitus on suurempi.



Älä koskaan aseta vapautusventtiiliä suurempaan paineeseen kuin pumpun suurin luokitettu paine on. Suuremmat asetukset voivat johtaa laitteiston vaurioitumiseen ja/tai henkilövahinkoihin.



VAROITUS: Järjestelmän käyttöpaine ei saa ylittää järjestelmän alimmalle luokitellun osan painearvoa. Asenna painemittarit järjestelmään tarkkailemaan käyttöpainetta. Se on ikkuna siihen mitä järjestelmässä tapahtuu.



VAROVAISUUS: Vältä hydrauliletkujen vaurioittamista. Vältä teräviä kulmia ja kiertymiä kun reitität hydrauliletkuja. Vääntyneen tai kiertyneen letkun käyttö voi aiheuttaa vakavan paluupaineen. Terävät kulmat ja kiertymät vaurioittavat sisäisesti letkua, mikä johtaa ennenaikaiseen vikaan letkussa.



Älä pudota painavia esineitä letkun päälle. Terävä kosketus voi aiheuttaa sisäisen vaurion letkun lankasäikeisiin. Paineenjohtaminen vaurioituneeseen letkuun voi saada sen repeämään.



TÄRKEÄÄ: Älä nosta hydraulilaitteita letkuista tai kiertokytkimistä. Käytä kantokahvoja tai muita turvallisia kuljetusmuotoja.



VAROVAISUUS: Pidä hydraulilaitteet etäällä tulesta ja kuumuudesta. Liiallinen lämpö pehmentää pakkaukset ja saumat, johtuen nestevuotoihin. Lämpö myös heikentää letkumateriaaleja ja pakkauksia. Optimaalisen toiminnan saavuttamiseksi, älä altista laitteita lämpötiloille, jotka ovat 150 °F (65 °C) tai korkeampia. Suojaa letkut ja sylinterit hitsausroiskeilta.



VAARA: Älä käsittele paineistettuja letkuja. Vapautuva öljy voi paineen alla mennä ihon läpi, aiheuttaen vakavan vamman. Jos öljyä ruiskuu ihon alle, ota välittömästi yhteys lääkäriin.



VAROITUS: Käytä vain hydraulisia vääntökampia liittämälaitteissa. Älä koskaan käytä vääntökampea kytkemättömiin liittimiin. Jos vääntövain tulee erittäin ylikuormitetuksi, niin komponentit voivat hajota katastrofaalisesti, aiheuttaen vakavan henkilövamman.



VAROITUS: VARMISTA KOKOONPANON VAKAUS ENNEN KUORMAN NOSTAMISTA. Sylinterit on asetettava tasaiselle pinnalle, joka kykenee kantamaan kuorman. Käytä sylinterialustaa tarvittaessa vakauden parantamiseen. Älä hitsaa tai muuta muulla tavalla sylinteriä alustan tai muun tuen kiinnittämiseksi.



Vältä tilanteita, joissa kuormat eivät ole suoraan keskitettyjä sylinterin mäntään. Keskittämättömät kuormat rasittavat merkittävästi sylintereitä ja mäntiä. Lisäksi kuorma voi livetä tai pudota johtaen mahdollisesti vaaratilanteisiin.



Jaa kuorma tasaisesti koko satulapinnalle. Käytä aina satulaa männän suojaamiseen.



TÄRKEÄÄ: Hydraulilaitteita saa huoltaa vain pätevä hydrauliteknikko. Ota yhteys valtuutettuun ENERPAC-huoltokeskukseen korjauspalveluiden suhteen. Takuun säilyttämiseksi, käytä vain ENERPAC-öljyjä.



VAROITUS: Vaihda välittömästi kuluneet tai vaurioituneet osat aidoilla ENERPAC-osilla. Standardilaatuiset ovat hajoavat, aiheuttaen henkilövammoja ja omaisuuden tuhoutumista. ENERPAC-osat ovat suunniteltu sopimaan kunnolla ja kestäämään raskaita kuormia.



VAROITUS: Käynnistä pumpppua siten, että venttiili on neutraalisasennossa sylinterin vahingossa tapahtuvan toiminnan estämiseksi. Pidä kädet etäällä liikkuvista osista ja paineistetuista letkuista.

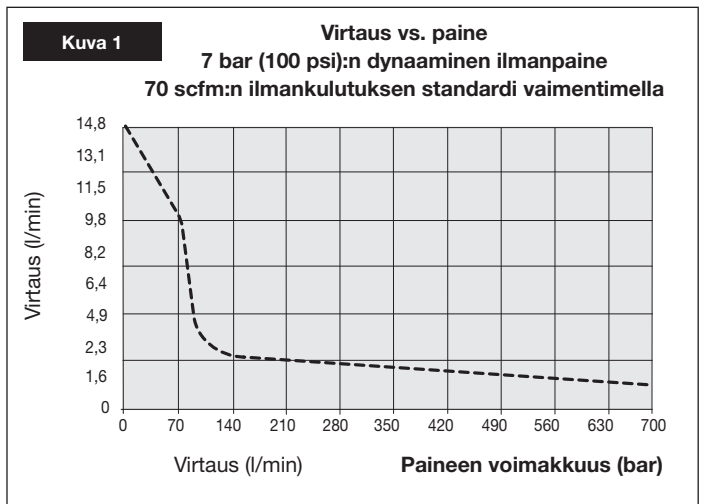


VAROITUS: Näissä pumpuissa on sisäiset tehtaassa säädetyt varoventtiilit, joita ei saa korjata tai säätää muut kuin Enerpacin valtuutetut huoltokeskukset.

3.0 ERITTELYT

3.1 Suorituskaavio (Katso Suorituskaavio Alapuolelta)

3.2 Virtauskaavio

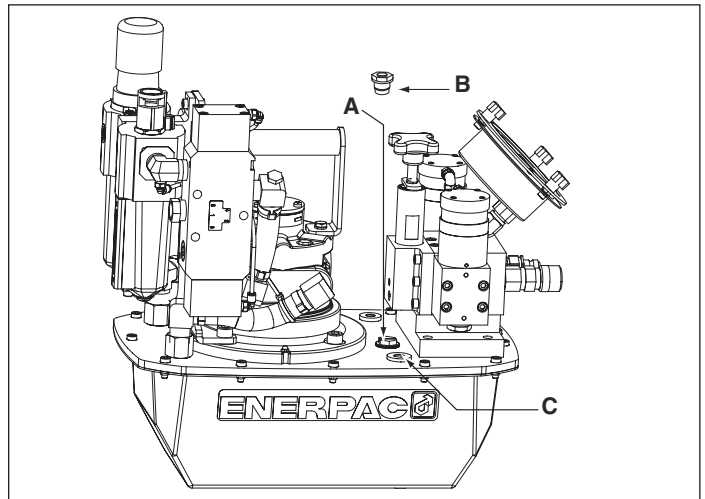


4.0 ASENNUS

Asenna tai sijoita pumpppu siten, että ilmavirtaus moottorin ja pumpun ympäristössä on esteetön. Pidä moottori puhtaana maksimaalisen jäähdytyksen varmistamiseksi käytön aikana.

4.1 Säiliön Tuuletusaukon Korkki (katso Kuva 2)

Kuljetuksen ajaksi kuljetustulppa (A) asennetaan säiliön päällä olevaan tuuletusreikään. Ennen käyttöä vaihda kuljetustulppa tuuletusaukon korkkiin (B). HUOMAA: Tuuletusaukko (B) on erillään öljyntäyttö aukosta (C). Öljyntäyttö aukko (C) käyttää tulppaa SAE#10.



Kuva 2, ZA4T-huohottimen asennus

Ex II 2 GD ck T4

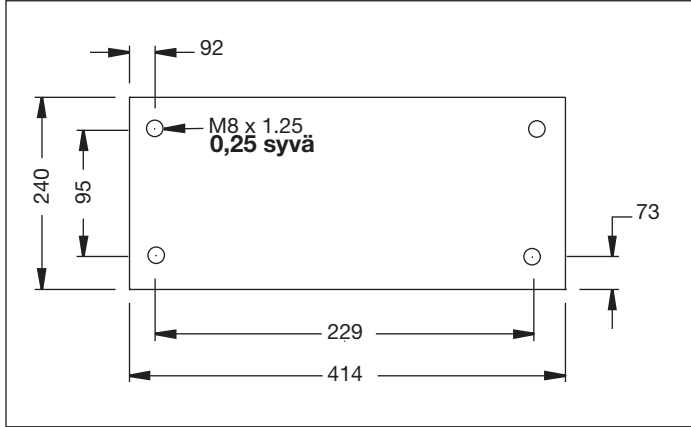
▼ ZA4T-SUORITUSKAAVIO

Moottorin Koko (hv)	Ulostulovirtaus (kuutiotuomaa/min)				Dynaamisen ilmanpaineen käyttöalue (bar)	Ilmankulutus (scfm)	Äänitaso dynaamisella 100 psi:lla (dBA)	Varoventtiilin säätöalue (bar)
	7 bar	50 bar	350 bar	700 bar				
4*	15,2	12,7	2,0	1,5	4-7	20-100	80-95	100 - 700 "Q"-versiolle 100 - 800 "E"-versiolle

*Todellinen virrankulutus riippuu sovelluksesta. Katso Kuva 1.

4.2 Pumpun Asettelu

Katso kuvasta 3 asettelumitat kiinnittääksesi pumppu kiinteään pintaan.



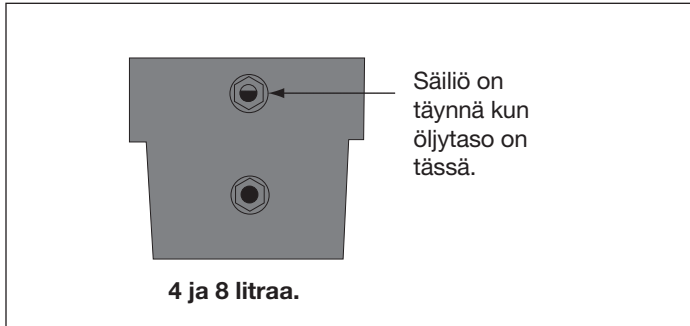
Kuva 3

4.3 Tuloilmaliittimet

Pumppu vaatii 4,2 - 7 bar 60-100 psi:n dynaamisen ilmanpaineen 20-100 scfm:n ilmankulutuksella. Kiinnitä sisään tuleva tuloilma 1/2" NPT-porttiin säätimessä/suodattimessa/voitelijassa.

4.4 Nestetaso

Tarkista pumpun öljymäärä ennen käynnistystä. Tarpeen vaatiessa lisää öljyä poistamalla SAE#10 -tulppa peitelevystä (katso Kuva 2). Säiliö on täynnä kun öljytaso ylettyy tarkkailulasin yläosaan. (Kuva 4).



Kuva 4

TÄRKEÄÄ: Lisää öljyä vain silloin kuin järjestelmän kaikki komponentit ovat kokonaan vedetty takaisin. Muussa tapauksessa järjestelmä sisältää enemmän öljyä kuin säiliö voi sisältää.

4.5 Yhdistä Hydrauliletkut

Yhdistä letkut kuvan 5 mukaisesti.

- (-E)-pumpputyypin Enerpac SQD- ja HXD-momenttiavaimille Varmista, että käytät letkuja, joiden merkintä on "ENERPAC THC-700 SERIES - 800 Bar/11,600 psi max". Näiden letkujen liittimet ovat "polarisoitu" tehtaassa oikean vääntötoiminnan varmistamiseksi. (Katso Kuva 5.)
A. Letku ja kiintoavain ovat naispuolisia liittimiä. Kiristä käsin kierteistetyt liitinlukkorengaat. Työkaluja ei tarvita.
B: (-E)-pumpun naarasliittimet ovat itsestään lukkiutuvia. Paina liitinparit yhteen kunnes lukkorengas napsahtaa eteenpäin. Irrota toisistaan vääntämällä lukkorengasta myötäpäivään ja työnnä pois päin liittymästä.
- (-Q)-pumpputyypin Enerpac S- ja W-momenttiavaimille ja muille merkeille. Käytä letkuja, joiden merkintä on "Enerpac THQ-700 series-700 bar/10,000 psi max.". Liittimien on oltava polarisoitu kuvan 5 mukaisesti oikean vääntötoiminnan varmistamiseksi. Varmista, että liittimet ovat täysin kytkettyneitä ja kiristettyjä ennen käyttöä. Osittainen liitinkytkentä estää kunnollisen vääntötoiminnan.

4.6 Ilmavoitelijan täyttö

Täytä voitelijan säiliö kevyellä sumutyypisellä öljyllä, joka soveltuu paineilmatyökaluille.

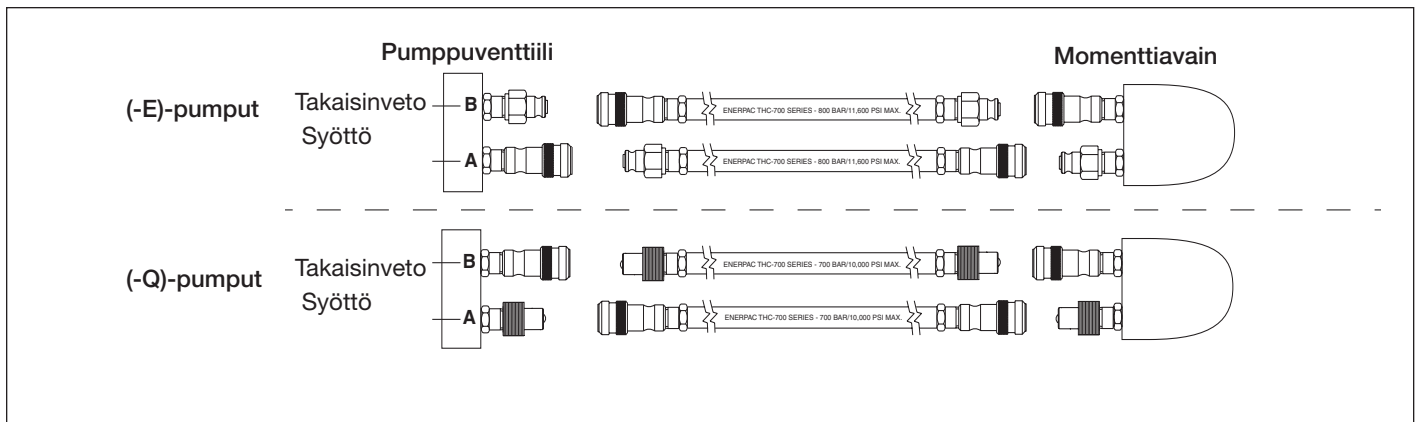


VAROVAISUUS: Voitelijan öljytason ylläpito on tärkeätä pumpun käyttöä varten.

4.7 Ilmavoitelijan Säätö

Säätönuppi (C) on tehtaassa asetettu täysin myötäpäivään, joten öljyä ei toimiteta järjestelmän voitelemiseksi. Kytke ilma päälle ja aloita virtaus järjestelmään alkusäädön suorittamiseksi. Käännä nuppia öljyn tippumisnopeuden säätämiseksi. Nupin kääntäminen vastapäivään kasvattaa tippumisnopeutta. (katso Kuva 6) Aseta tippumisnopeudeksi aluksi yksi tai kaksi pisaraa minuutissa ja hienosäädä nopeutta kun järjestelmä saavuttaa normaalin käyttölämpötilan.

Tarkista voitelu pitämällä peiliä laitteiston pakokaasin lähellä. Jos raska kalvo muodostuu, vähennä voitelua.



Kuva 5

4.8 Ilmanpaineen Säätelijän Säätö

Vedä nuppi suoraan ylös lukituksen avaamiseksi. Säätönuppi on oltava käännetyssä myötäpäivään poistoaukon paineasetuksen kasvattamiseksi ja vastapäivään asetuksen pienentämiseksi. Vähennä painetta vähentämällä ensin paine pienemmäksi kuin haluttua, ja lisää sitten haluttuun poistopaineeseen. (Katso Kuva 6.)

5.0 KÄYTTÖ

TÄRKEÄÄ: Kun mahdollista, yhden käyttäjän

tuli käyttää momenttiavainta ja pumppua.

Tämä voi estää pumpun vahingossa tapahtuvan käynnistymisen käyttäjän asettaessa kiintoavainta.

1. Tarkista kaikki järjestelmän kiinnikkeet ja liittimet ollaksesi varma, että ne ovat kireällä ja vuotovapaita
2. Tarkista säiliön öljytaso ja lisää öljyä tarvittaessa. (Katso kappale 4.4)
3. Käynnistä pumppu painamalla vihreätä "ON/ADV"-painiketta (D) lankaohjaimessa (käsiohjain). Kiintoavain etenee niin kauan kuin vihreätä painiketta painetaan.
4. Vapauta vihreä painike kiintoavaimen vetämiseksi takaisin. Moottori pysyy "ON"-asennossa.
5. Paina lankaohjaimen punaista "OFF"-painiketta pumppumoottorin sammuttamiseksi.
6. Vapauta hydraulinen paine kiintoavaimessa ja letkuissa painamalla ja pitämällä punaista "OFF"-painiketta. Paina ja vapauta vihreä "ON/ADV"-painike 3 tai useamman kerran kunnes painemittarissa lukee 0-paine. Letkut voidaan nyt poistaa.

VAROVAISUUS: VARMISTA, ETTÄ MOOTTORI ON KYTKETTY POIS PÄÄLTÄ JA EI OLE KÄYNNISSÄ PAINAMALLA PUNAISTA "OFF"-PAINIKETTA ENNEN KUIN TULOILMAN LÄHDE ON KYTKETTY POIS TAI IRROTETTU.

5.1 Ilman Poisto

Kun kiintoavain ensimmäisen kerran kytketään pumppuun, niin ilma jää loukkuun komponentteihin. Varmista tasainen ja turvallinen käyttö poistamalla ilma kierrättämällä kiintoavainta useita kertoja ilman kuormaa. Kierrä kunnes kiintoavain etenee ja vetäytyy takaisin ilman epäröintiä.

Tarkista öljytaso ennen käyttöä.

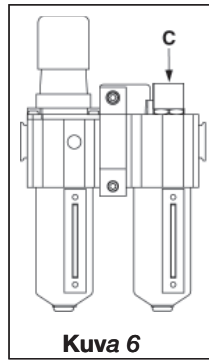
5.2 Mittari- ja Päälylystystoiminnan Toimintatavat

Pumppu toimitetaan painemittari asennettuna. Sinun helpottamiseksi momenttipäälylykset toimitetaan jokaiselle pumpulle. Momenttipäälylyys sopii painemittarin asteikon päälle ja muuttaa painelukemat helposti momenttilukemiksi (katso Kuva 8). Päälylyksessä on brittiläiset yksiköt (Ft-Lbs.) toisella puolella ja metriset yksiköt (Nm) toisella puolella. Kun haluat muuttaa asteikkoja, laita päälylyys yksinkertaisesti päälle.

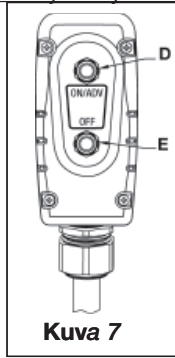
VAROITUS: Jokainen päälylyys on sovitettu VAIN tietyille Enerpacin momenttiavaimelle. Älä käytä muiden kiintoavaimien kanssa.

5.3 Päälylyksen Vaihto

1. Irrota kolme mustaa siipimutteria, jotka pitävät etumittaritaulua paikallaan (katso Kuva 9).
2. Poista etutaulu (katso Kuva 10.)
3. Aseta uusi päälylyys (muista tarkistaa oikea päälylyys käytetylle Enerpacin momenttiavaimelle) tauluun ja kohdista päälylyys



Kuva 6



Kuva 7

taulun takana oleviin kuvioihin (katso Kuva 11).

4. Kun pidät päälylystä taulun takana (katso Kuva 10), aseta taulu nuppitappeihin, kohdistuen päälylyys tarpeen mukaan ja kiristä nupin sormin kireäksi (katso Kuva 9).

Taulu painaa päälylyksen mittariin ja kiristää sen paikalleen. Katso momenttiavaimen ohjeista painemäärä, joka tarvitaan halutun momentin tuottamiseksi. Huomaa, että enimmäispaine vaihtelee eri kiintoavaimille ja lisälaitteille.



VAROVAISUUS: Katso momenttiavaimen ohjeista kiintoavaimen käyttötapaa.

5.4 Paineasetus (momenttiasetus)



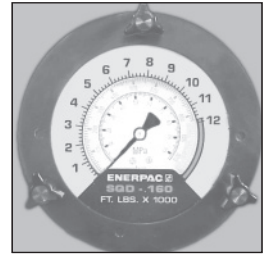
VAROITUS Suorita nämä säädöt ENNEN kuin asetat momenttiavaimen ruuvi- tai pulttipäähän. Pumpun paineasetus voi olla paineen yläpuolella, joka tarvitaan vaadittava momentti sovelluksellesi. Vaaditun momentin ylittäminen vaurioittaa laitteistoa ja voi johtavaa vakavaan henkilövammaan.

Z-luokan pumput ovat varustettu yhdellä käyttäjän säädettävissä olevalla varoventtiilillä (katso Kuva 12.) Syöttöä voidaan rajoittaa momenttiavaimen seuraavasti:

1. Löysää varoventtiilin lukitusmutteria ja käännä ohjaukshvaa vastapäivään kunnes kääntäessä tuntuu kevyt vastus.
2. Käynnistä pumppu öljyn lämmittämiseksi.
3. Paina ja pidä "ON/ADV"-painiketta paineen muodostamiseksi syöttöpiiriin. Käännä varoventtiilin ohjaukshvaa myötäpäivään paineen kasvattamiseksi haluttuun arvoon.

HUOMAA: Saadaksesi oikean säädön, vähennä painetta kohtaan, joka on lopullisen asetuksen alapuolella ja lisää sitten painetta vähitellen kunnes se saavuttaa lopullisen asetuksen.

4. Kiristä varoventtiilin lukkomutteri halutussa painearvossa.
5. Vapauta lankaohjaimen "ON/ADV"-painike, jotta järjestelmän paine palautuu B-portin ohitusasetukseen. Moottori pysyy käynnissä.
6. Tarkista lopullinen paineasetus uudelleen siirtämällä venttiiliä ja paineistamalla järjestelmää.



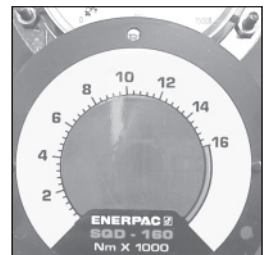
Kuva 8



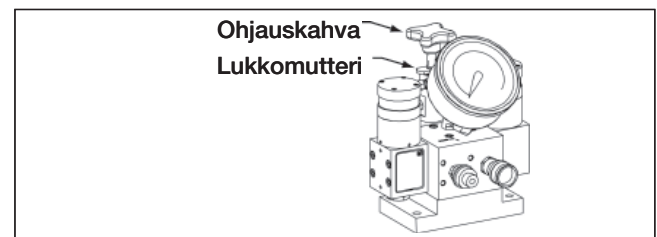
Kuva 9



Kuva 10



Kuva 11



Kuva 12, Varoventtiili

6.0 HUOLTO

Tarkista säännöllisesti kaikki järjestelmän osat vuotojen tai vaurioiden varalta. Korjaa tai korvaa vaurioituneet osat.

6.1 Tarkista öljymäärä

Tarkista pumpun öljymäärä ennen käynnistystä, ja lisää öljyä tarvittaessa, poistamalla täyttöaukon korkki. Varmista aina, että hydrauliset kiintoavaimet ovat vetäytyneet kokonaan takaisin ennen kuin lisäät nestettä säiliöön. Katso Kuva 2.

6.2 Vaihda öljy ja Puhdista Säiliö

Enerpac HF -öljy on väriltään selkeän sininen. Tarkista säännöllisesti öljy saastumisen varalta vertaamalla pumpussa olevaa öljyä uuteen Enerpac-öljyyn. Nyrkkisääntönä on, että tyhjennä ja puhdista säiliö kokonaan joka 250 tunnin jälkeen tai useammin, jos pumpppua on käytetty liikkeessä ympäristössä.

HUOMAA: Tämä toimenpide vaatii, että poistat pumpun säiliöstä. Työskentele puhtaalla alustalla ja hävitä käytetty öljy paikallisten säädösten mukaisesti.

1. Ruuvaa irti 13 pulttia, jotka kiinnittävät suojalevyn säiliöön ja nosta pumpppuyksikkö pois säiliöstä. Varo ettet vaurioita suodatinsuojuksia.
2. Kaada kaikki öljy ulos säiliöstä.
3. Puhdista säiliö ja magneetti perusteellisesti sopivalla puhdistusaineella.
4. Poista nostettava suodatinsuojus puhdistusta varten. (Älä vedä suojuksesta tai tuloaukon pohjasta mahdollisten vaurioiden varalta.) Puhdista suojus liuottimella ja pehmeällä harjalla. Aseta uudestaan paikalleen.
5. Kokoa pumpppu ja säiliö. Aseta säiliöön uusi tiiviste.
6. Täytä säiliö puhtaalla Enerpac-hydrauliöljyllä. Säiliö on täynnä kun öljytaso on keskellä tarkkailulasia (katso Kuva 4).

6.3 Vaimentimen Puhdistus

Kun pumpppu on ollut käynnissä pitkiä ajanjaksoja, jäätä voi muodostua vaimenninelementtiin ja on poistettava. Puhdista vaimennin ruuvaamalla irti ja poistamalla kaikki roskat.

6.4 Ilmasuodatinvoitelijan Puhdistus

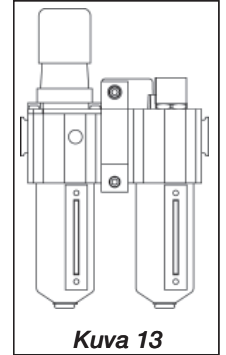
Tarkista ilmasuodatinvoitelija usein vaurioiden varalta. Korvaa vaurioituneet kuvat.

Pidäsuodatin kupu puhtaana suodatustehokkuuden ylläpitämiseksi. Yksikössä on automaattinen tyhjennysputki, joka aukeaa noin 207 mbar:ssa (3 psig) ja sulkeutuu noin 340 mbar:ssa (5 psig).

Näkyvä kerros likaa tai tiivistymää suodatinelementissä tai liiallinen ilmanpaineen väheneminen ilmoittaa puhdistuksen tarpeellisuuden. Poista paine yksiköstä ennen kuvun irrottamista puhdistusta varten. Älä käännä voitelutuuletusta (H) päälle kun järjestelmä on paineistettu tai öljyä roiskuu.



VAROVAISUUS: Puhdista suodatin kupu vain kotitaloussaippualla.



7.0 VIANETSINTÄ (KATSO VIANETSINTÄOPAS)

Vain pätevät hydrauliteknikko saa huoltaa pumpppua tai sen osia. Järjestelmävirhe voi syntyä, tai ei, pumpun toimintahäiriön seurauksena. Ongelman selvittämiseksi koko järjestelmä täytyy diagnosoida. Seuraavat tiedot on tarkoitettu vain käytettäväksi, kun selvitetään ongelman olemassaoloa. Huoltotoimien suhteen ota yhteys Enerpacin valtuutettuun huoltokeskukseen.

Vianetsintäopas		
Ongelma	Mahdollinen Syy	Toiminta
Pumppu ei käynnisty	Ilma kytketty pois päältä tai linja tukossa	Katso lisätietoja kappaleesta 5.0
Moottori pysähtele kuorman alla	Matala ilmanpaine Vaimennin tukittu; saastunut ilma	Katso kappaleet 6.2B ja 6.3A Vähennä kuormaa tai lisää sylinterin kapasiteettia Tarkista hydrauliliittimet täyden liitoksen suhteen
Pumppu eivät muodosta painetta tai vähemmän kuin täyden paineen	Matala öljytaso Varoventtiili asetettu liian alhaiseksi Järjestelmän ulkopuolinen vuoto Pumpun sisäinen vuoto Venttiilin sisäinen vuoto Sisäinen vuoto järjestelmäkomponentissa	Lisää öljyä kappaleen 4.4 mukaisesti Säädä kappaleen 5.4 mukaisesti Tarkasta ja korjaa tai vaihda Ota yhteys valtuutettuun huoltokeskukseen Ota yhteys valtuutettuun huoltokeskukseen Ota yhteys valtuutettuun huoltokeskukseen
Kiintoavain ei tule takaisin	Venttiilivika Paluuvirtauslinja kielletty tai tukittu	Ota yhteys valtuutettuun huoltokeskukseen Tarkista liittimet täyden liitoksen suhteen
Öljyn matala tulovirtaus	Riittämätön tuloilma Likainen ilmasuodatin Tukkeutunut tuloaukon suodatin	Katso kappaleet 4.3 Katso kappaleet 6.4 Katso kappaleet 6.4

L2675 Rev. B 08/07

Oversikt over reparasjonsdeler for dette produktet er tilgjengelig fra hjemmesiden til Enerpac på www.enerpac.com, eller fra ditt nærmeste autoriserte Enerpac Service Senter eller Enerpac Salgskontor.

1.0 VIKTIG VED MOTTAK AV PRODUKTET

Foreta en visuell inspeksjon av alle komponenter for å forvisse deg om at ikke noe er skadd under transporten. Transportskader er ikke dekket av produktgarantien. Dersom du finner transportskader må du øyeblikkelig kontakte transportøren. Transportøren er ansvarlig for alle utgifter til reparasjon og nye deler som oppstår som en følge av transportskade.

SIKKERHET I HØYSETET

2.0 SIKKERHETSFRSKRIFTER



Les alle instruksjoner og advarsler nøye. Følg alle råd om sikkerhet for å unngå skade på person eller eiendom ved drift av systemet. Enerpac kan ikke påta seg ansvar for skade på person eller materiell som følger av usikker bruk av produktet, mangel på vedlikehold eller uriktig bruk av produkt eller system. Kontakt Enerpac dersom du er i tvil om sikker bruk av produktet. Dersom du aldri har fått opplæring i hydraulisk høytrykkssikkerhet, bør du kontakte ditt distribusjons- eller servicesenter for et kostnadsfritt Enerpac Hydraulisk Sikkerhetskurs.

Det er viktig å rette seg etter følgende forskrifter og advarsler for å unngå skade på personer og utstyr.

FORSIKTIG brukes for å indikere korrekte prosedyrer for drift eller vedlikehold for å unngå skader på-, eller ødeleggelse av utstyret eller annen eiendom.

ADVARSEL indikerer en potensiell fare som krever korrekte prosedyrer eller bruksmåter for å unngå personskade.

FARE brukes kun når din handling eller mangel på handling kan forårsake alvorlig skade eller død.



ADVARSEL: Bruk riktig personlig verneutstyr når du bruker hydraulisk utstyr.



ADVARSEL: Hold deg klar av laster som støttes av hydraulikk. En sylinter, når den brukes til å løfte laster, bør aldri benyttes som lasteholder. Etter at lasten er hevet eller senket, må den alltid blokkeres mekanisk.



ADVARSEL: BRUK KUN SOLIDE DELER TIL Å HOLDE LASTER. Være nøye med å velge stål- eller treklosser som kan holde lasten. Bruk aldri en hydraulisk sylinter som en foring eller avstandshylse ved løft eller press..



FARE: For å unngå personskade må man holde hender og føtter unna muttertrekkerens reaksjonsarm og arbeidstykket ved bruk.



ADVARSEL: Ikke overskrid utstyrets spesifikasjoner. Prøv aldri å løfte en last som veier mer enn sylindrens kapasitet. Overlast fører til at utstyret bryter sammen, og til mulig personskade. Sylindrene er konstruert for et maks. trykk på 700 bar [10 000 psi]. Ikke kople jekk eller sylinter til en pumpe med høyere trykkspesifikasjoner.



Sett aldri sikkerhetsventilen på et høyere trykk enn pumpens maksimale trykkapasitet. Høyere innstilling kan føre til skade på utstyret og/eller personskade.



ADVARSEL: Systemets arbeidstrykk på ikke overstige trykkklasse av den lavest klasserte komponenten i systemet. Installer trykkmålere i systemet for å overvåke driftstrykk. Det er ditt vindu inn til hva som skjer i systemet.



FORSIKTIG: Unngå skader på hydrauliske slanger. Unngå bøyning og krølling når de hydrauliske slangene legges ut. Å bruke en bøyd eller krøllet slange vil skape et alvorlig mottrykk. Skarpe bøyer eller krøll vil umiddelbart skade slangen og føre til tidlig slangefeil.



Ikke slipp tunge gjenstander på slangen. Et hardt slag kan føre til skade på slangens armering. Å sette trykk på en skadet slange kan få den til å revne.



VIKTIG: Ikke løft hydraulisk utstyr i slangen eller svingkoblinger. Bruk bærehåndtaket eller andre sikre måter å bære på.



FORSIKTIG: Hold hydraulisk utstyr unna åpen ild og varme. For mye varme vil gjøre pakninger og forseglinger bløte, noe som fører til væskelekkasje.

Hete svekker også slangematerialet og pakninger. For best mulig ytelse bør ikke utstyret utsettes for temperaturer over 65 °C. Beskytt slanger og sylindere mot sveisesprut.



FARE: Ikke håndter slanger under trykk. Oljesprut under trykk kan gå gjennom huden og gjøre alvorlig skade. Dersom olje er trenger gjennom huden må man oppsøke lege med en gang.



ADVARSEL: Bruk kun muttertrekkere i et tilkoblet system. Bruk aldri en muttertrekker uten tilkoblede koblinger. Hvis muttertrekkeren blir ekstremt overbelastet kan komponenter feile katastrofalt og forårsake alvorlige personskader.



ADVARSEL: SØRG FOR AT OPPSETTET ER STABILT FØR LAST LØFTES. Sylindere skal plasseres på et plant underlag som kan bære lasten. Ved behov skal det brukes grunnplate på sylindren for å øke stabiliteten. Ikke

bruk sveising eller modifierer sylindren på annen måte for å feste en grunnplate eller annen støtte.



Unngå situasjoner der last ikke er direkte sentrert på sylindrens stempel. Skjev last gir stor belastning på sylindere og stempel. I tillegg kan lasten gli eller falle, og skape potensielt farlige situasjoner.



Fordel lasten jevnt over hele trykkhodets overflate. Bruk alltid trykkhode for å beskytte stempelet.



VIKTIG: Hydraulisk utstyr må kun få service av en kvalifisert hydraulikktekniker. For reparasjoner, kontakt et Autorisert ENERPAC Servicesenter i din region. For å beskytte garantien, bruk bare ENERPAC hydraulikkolje.



ADVARSEL: Bytt umiddelbart ut slitte eller skadde deler med ekte ENERPAC-deler. Uoriginale deler vil gå i stykker og forårsake skade på personer og eiendom. ENERPAC-deler er designet for å passe riktig og for å tåle store påkjenninger.



ADVARSEL: Start pumpen med ventilen i nøytral posisjon for å forhindre utilsiktet sylinderbevegelse. Hold hendene unna bevegelige deler og trykkslanger.

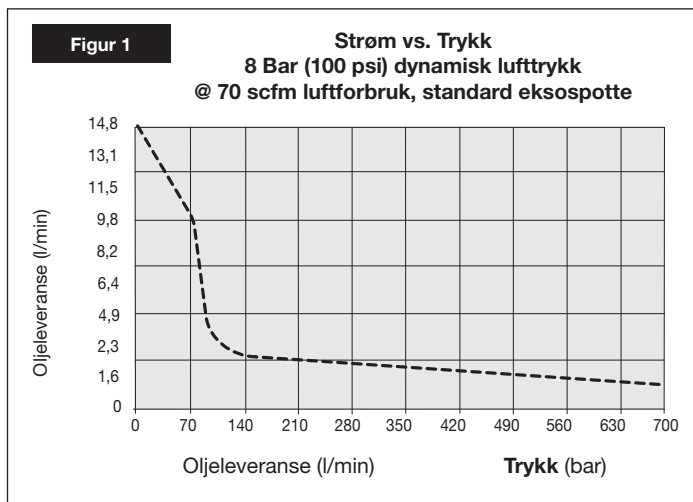


ADVARSEL: Disse pumpene har indre, fabrikkjusterte avlastningsventiler, som ikke må repareres eller justeres av andre enn av et Autorisert Enerpac Servicesenter.

3.0 SPESIFIKASJONER

3.1 Ytelsesdiagram (se Ytelsesdiagram nedenfor)

3.2 Strømningsdiagram



Ex II 2 GD ck T4

▼ ZA4T YTELSESDIAGRAM

Motor- størrelse (hk)	Utmatet strømningsrate l/min				Dynamisk lufttrykksområde (bar)	Luftforbruk (scfm)	Lydvolum @ 7 Bar dynamisk (dBA)	Avlastningsventilens justeringsområde (bar)
	7 bar	50 bar	350 bar	700 bar				
4*	15,2	12,7	2,0	1,5	4-7	20-100	80-95	96-690 Bar for "Q"-versjon 96-690 Bar for "E"-versjon

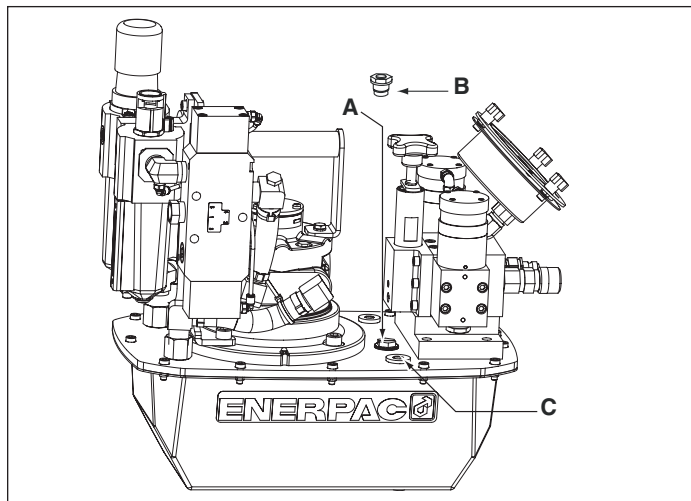
*Faktisk strømforbruk avhenger av bruken. Se Fig. 1.

4.0 INSTALLASJON

Installer eller plasser pumpen slik at luftstrømmen rundt motoren og pumpen ikke hindres. Hold motoren ren for å oppnå maksimal kjøling under drift.

4.1 Tankens Luftelukk (se Fig. 2)

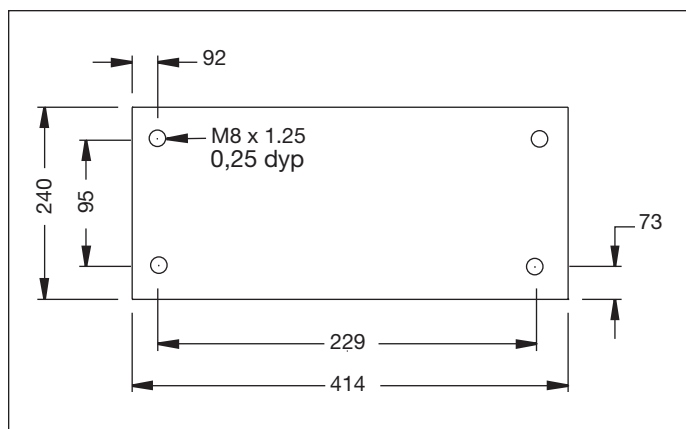
For transport, installeres en transportplugg (A) i luftenåpningen på toppen av tanken. Før bruk må transportpluggen skiftes ut med luftelokket (B). MERK: Luftenåpningen (B) er separat fra oljefyllingsåpningen (C). Oljefyllingsåpningen (C) bruker en SAE Nr. 10 plugg.



Figur 2, ZA4 Luftinstallasjon

4.2 Montering av pumpen

Se Fig. 3 for monteringsdimensjoner, for å feste pumpen til et fast underlag.



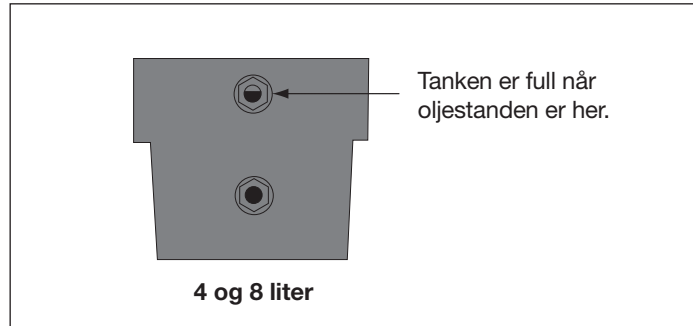
Figur 3

4.3 Luftforsyningskoblinger

Pumpen krever 4-8 Bar (60-100 psi) lufttrykk ved 20-100 cfm. Koble innkommende luftforsyning til 1/2" NPT-port på regulator/filter/smører.

4.4 Væskeniå

Kontroller oljestanden på pumpen før oppstart, og etterfyll olje ved behov, ved å ta av SAE Nr. 10 plugg fra dekselplaten (se Fig. 2). Tanken er full når oljestanden når opp til toppen på sikteglasset. (Fig. 4).



Figur 4

VIKTIG: Etterfyll olje kun når alle systemkomponenter er helt trukket tilbake, ellers vil systemet inneholde mer olje enn tanken kan holde.

4.5 Koble til hydrauliske slanger

Koble til slangene som vist i Fig. 5.

- (-E) pumpetype for Enerpac SQD og HXD muttetrekkere. Påse at du bruker slanger merket "ENERPAC THC-700 SERIES" – 800 Bar/11.600 psi max". Koplingene på disse slangene er "polariserte" fra fabrikken for å påse korrekt funksjon for tengene. (Se Fig. 5).
 - Slange og tang hunn-koplinger. Strekk til gjengede koplingslåseringer for hånd, det behøves ingen verktøy.
 - (-E)-pumpens hunn-koplinger er selvlåsende, trykk koplingene sammen til koplings låsering smetter fremover. For å frakoble, vri koplingsringen med klokken og skyv bort fra koplingen.
- (-Q) pumpetype for Enerpac S og W muttetrekkere og andre merker. Bruk slanger merket "Enerpac THQ-700 series-700 bar/10,000 psi max.". Koplinger må være polariserte som i Fig. 5 for at tengene skal virke riktig. Påse at koplignene er fullstendig sammenkoblet og trukket til før drift. Delvis sammenkopling vil hindre tengene i å virke som de skal.

4.6 Fylling av luftsmøring

Fyll smøretanken med en lett tåkedannende olje som passer for trykkluftverktøy.



FORSIKTIG: Det er meget viktig for pumpens levetid at smøreoljetanken alltid er fylt.

4.7 Justering av luftsmører

Justeringsbryteren (C) er fabrikkinnstilt helt over med klokken, slik at ingen olje forsynes til systemet. For å gjøre den første justeringen, slår du på luften og starter strømmingen i systemet. Drei på bryteren for å justere hastigheten på oljedryppet. Drei bryteren mot klokken for å øke hastigheten på oljedryppet. (se Fig. 6) Sett drypphastigheten til en eller to dråper per minutt til å begynne med, og finjuster hastigheten etter at systemet når opp til normal driftstemperatur.

For å kontrollere smøringen, holder du et speil nær utstyrets eksos. Hvis det utvikles en tung film, reduserer du smøringen.

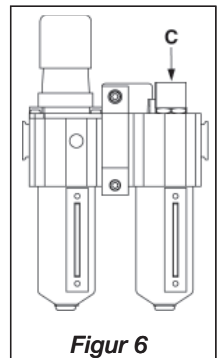
4.8 Justering av lufttrykksregulator

Trekk bryteren rett ut for å låse den opp. Justeringsbryteren må dreies med klokken for å øke - og mot klokken for å minske - innstilt utgangstrykk. For å redusere trykket, reduserer du først til et trykk som er lavere enn det du ha, og deretter øker du trykket til ønsket verdi oppnås. (Se Fig. 6.)

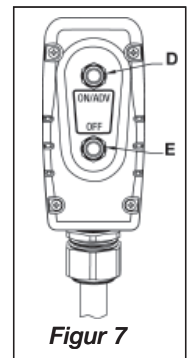
5.0 BRUK

VIKTIG: Når dette er mulig, bør én enkelt bruker styre muttetrekkeren og pumpen. Dette kan hindre utilsiktet aktivering av pumpen mens operatøren plasserer trekkeren.

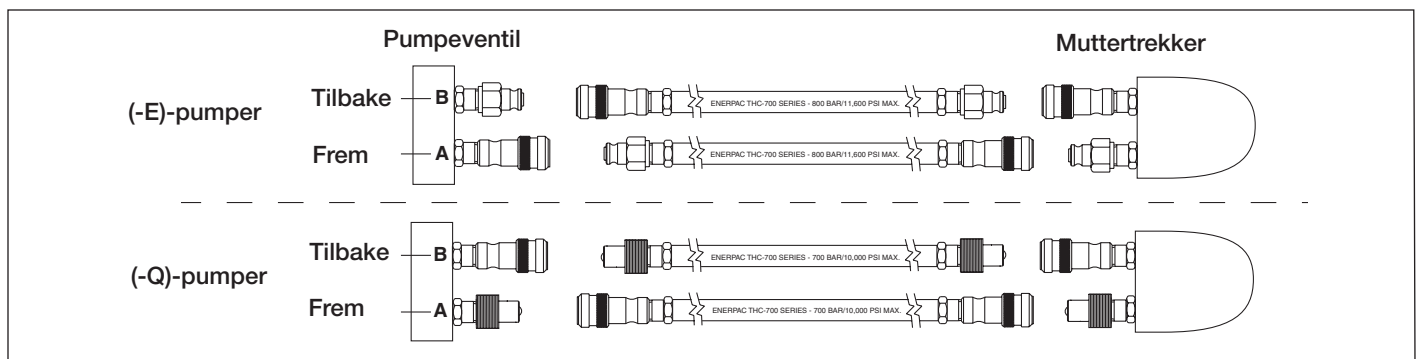
- Kontroller alle systemets montasjer og koplinger og påse at de er tette og ikke lekker.
- Kontroller oljestanden i tanken og etterfyll olje ved behov. (se avsnitt. 4.4.)
- For å starte pumpen, trykk på den grønne knappen "ON/ADV" på fjernkontrollen (håndsettet). Tangen vil føres frem så lenge den grønne knappen holdes inne.
- Slipp den grønne knappen for å trekke tangen tilbake. Motoren vil forbli "ON".
- Trykk på de røde knappen "OFF" (E) på fjernkontrollen for å stanse pumpen.
- For å slippe ut hydraulisk trykk i tang og slanger, trykk og hold den røde knappen "OFF". Trykk og slipp den grønne "ON/ADV"-knappen 3 eller flere ganger til trykkmåleren viser 0 trykk. Slangene kan nå tas av.



Figur 6



Figur 7



Figur 5



FORSIKTIG: PÅSE AT MOTOREN ER SLÅTT AV OG IKKE ER I GANG VED Å TRYKKE DEN RØDE "OFF"-KNAPPEN FØR LUFTFORSYNINGSKILDEN SLÅS AV ELLER KOBLES FRA.

5.1 Fjerne luft

Når tangen kobles til pumpen første gang, fanges luft inne i komponentene. For å sikre jevn og sikker drift, må luften fjernes ved å ta tangen gjennom en full syklus flere ganger uten last. Gjenta dette til tangen avanserer og trekkes tilbake uten hindring.

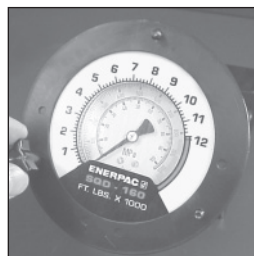
Kontroller oljestanden før bruk.

5.2 Bruksprosedyrer for trykkmåler og overtrekk

Pumpen leveres med en trykkmåler installert. For enkelthets skyld leveres et dreiemomentovertrekk med hver pumpe. Et dreiemomentovertrekk passer over trykkmålerskiven, og konverterer med enkelthet trykkavlesning til dreiemomentsavlesning (se Fig. 8). Overtrekket har imperiske enheter (ft-lbs) på en side, og metriske enheter (Nm) på den andre siden. For å endre skala, snut du ganske enkelt overtrekket.



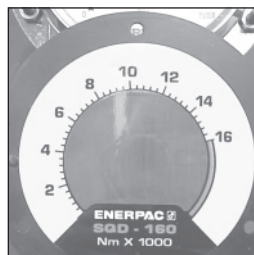
Figur 8



Figur 9



Figur 10



Figur 11



ADVARSEL: Hvert overtrekk passer KUN til en bestemt Enerpac muttertrekker. Må ikke brukes på andre trekkere.

5.3 Skifte overtrekk

1. Skru av de tre svarte vingeknottene som holder fremre målerflens på plass (se Fig. 9).
2. Ta av fremre flens og overtrekket (se Fig. 10).
3. Sett på et nytt overtrekk (husk p kontrollere at korrekt overtrekk for denne Enerpac muttertrekker brukes) på flensen, juster overtrekket med hakkene på baksiden av flensen (se Fig. 11).
4. Mens du holder overtrekket bak flensen (se Fig. 10), setter du flensen på knastene, justerer overtrekket etter behov, og strammer knottene til med fingrene (se Fig. 9).

Flensen vil presse overtrekket på måleren og holde det fast. Se instruksjonene for muttertrekkeren for hvilket trykk som kreves for å skape ønsket dreiemoment. Merk at maks trykk varierer mellom ulike trekkere og tilbehør.

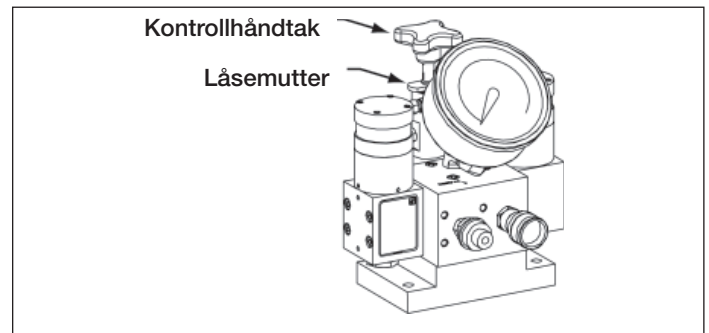


FORSIKTIG: Se instruksjonene for muttertrekkere for prosedyrer for bruk av trekkeren.

5.4 Innstilling av trykk (dreiemoment)



ADVARSEL: Gjør disse justeringen FØR muttertrekkeren settes på mutteren eller boltehodet. Pumpetrykket kan være over trykket som behøves for å skape ønsket dreiemoment. Overskridelse av ønsket dreiemoment vil skade utstyret og kan føre til alvorlig personskade.



Figur 12, Avlastningsventil

Z-klasse pumper er utstyrt med en brukerjustert avlastningsventil (se Fig. 12). For å begrense kraften til muttertrekkeren kan denne justeres som følger:

1. Løsne avlastningsventilens låsemutter og dreii håndtaket mot klokken til det er lett motstand når den dreies.
2. Start pumpen for at oljen skal varmes opp.
3. Trykk og hold knappen "ON/ADV" for å bygge opp trykk i fremføringskretsen. Dreii håndtaket på avlastningsventilen med klokken for å øke trykket til ønsket verdi.
- MERK:** For å få en nøyaktig innstilling, bør du senke trykket til et punkt under ønsket innstilling, og deretter bringe det sakt opp til endelig verdi.
4. Stram til avlastningsventilens låsemutter når ønsket trykkverdi er oppnådd.
5. Slipp knappen "ON/ADV" for at systemtrykket skal kunne returnere til innstillingen på B-portens bypass. Motoren vil fortsette å gå.
6. Kontroller det endelige trykket igjen ved å aktivere ventilen og sette systemet under trykk.

6.0 VEDLIKEHOLD

Inspiser alle systemets komponenter med jevne mellomrom, se etter lekkasje eller skader. Reparer eller skift ut skadde komponenter.

6.1 Kontroller oljestand

Kontroller oljestanden på pumpen før oppstart, og etterfyll olje ved behov ved å ta av fyllingsåpningslokket. Påse alltid at de hydrauliske tengene er fullstendig trukket tilbake før det fylles væske på tanken. Se Fig. 2.

6.2 Skifte olje og rengjøre tanken

Enerpac HF-olje har en frisk blåfarge. Sjekk oljens tilstand ofte, og kontroll forurensning ved å sammenligne pumpens olje med ny Enerpac-olje. Som en generell regel, bør tanken tappes helt av og rengjøres hver 250 timer, eller oftere hvis utstyret brukes i meget skitne miljøer.

MERK: Denne prosedyren krever at du fjerner pumpen fra tanken. Arbeid på en ren benk og kast bruk olje i samsvar med lokale regler.

1. Skru ut de 13 skruene som holder dekselplaten på tanken og løft pumpeenheten ut av tanken. Vær forsiktig så ikke filtret skades.
2. Tøm ut all olje av tanken.

3. Rengjør tanken og tankmagneten grundig med et passende rengjøringsmiddel.
4. Ta ut filterskjermer for rengjøring. (ikke trekk i skjermen eller bunnen av inntaket, for å unngå mulige skader.) Rens skjermen med løsemiddel eller en myk børste. Monter på nytt.
5. Sett sammen pumpen og tanken igjen, og monter en ny tankpakning.
6. Fyll tanken med ren Enerpac hydraulikkolje. Tanken er full når oljestanden når opp til toppen på sikteglasset (se Fig. 4).

6.3 Rengjøring av eksospotten

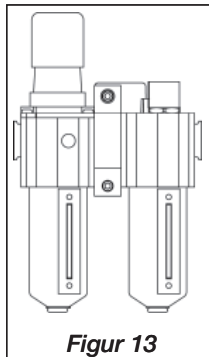
Når pumpen kjøres i lange perioder, kan det dannes is på eksospotteelementet, og denne må fjernes. Eksospotten rengjøres ved å skru den ut og fjerne alle rester.

6.4 Rengjøring av luftfiltersmører

Inspiser luftfiltrets smører ofte for å oppdage skader. Skift ut boller med skade.

Hold filterbollen ren for å opprettholde filtreringsnivået. Enheten er utstyrt med automatisk avtapping, som åpner ved ca. 0,2 bar [3 psig] og lukker ved ca. 0,35 bar [5 psig].

Et synlig lag av skitt eller kondensat på filterelementet, eller et for stort trykkfall, indikerer at det er behov for rengjøring. Slipp trykket ut av enheten før bollen tas ut for rengjøring. Ikke dreier smøringsluftingen (H) mens systemet er under, da olje vil presses ut.



FORSIKTIG: Gjør filterbollen ren kun med vanlig husholdningssåpe.

7.0 FEILSØKING (SE FEILSØKINGSGUIDE)

Kun kvalifiserte hydraulikere bør utføre service på pumpen eller systemets komponenter. En systemfeil behøver ikke nødvendigvis å skyldes en pumpefeil. For å fastslå årsaken til problemet, må hele systemet inkluderes i en diagnostisk prosedyre. Følgende informasjon er ment som en hjelp i å fastslå om det finnes et problem. For reparasjoner, ta kontakt med lokalt Autorisert Enerpac Servicesenter.

Feilsøkingsguide		
Problem	Mulig årsak	Handling
Pumpen vil ikke starte	Luften er slått av eller linjen er blokkert	Se avsnitt 5.0 Bruk for nærmere detaljer
Motoren kveles under belastning	Lavt lufttrykk Eksospotte plugget, forurenset luft	Se avsnitt 6.2B og 6.3A Reduser belastning eller øk sylinderkapasitet Kontroller hydrauliske koplinger for komplett sammenkobling
Pumpen bygger ikke opp trykk, eller bygger mindre enn fullt trykk	Lav oljestand Avlastningsventilen er satt for lavt Ekstern systemlekkasje Intern lekkasje i pumpen Intern lekkasje i ventilen Intern lekkasje i systemkomponent	Etterfyll olje i samsvar med avsnitt 4.4 Juster i samsvar med avsnitt 5.4 Inspiser og reparer eller skift ut Kontakt autorisert servicesenter Kontakt autorisert servicesenter Kontakt autorisert servicesenter
Tangen vil ikke trekkes tilbake	Ventilfeil Returlinjen hindret eller blokkert	Kontakt autorisert servicesenter Kontroller koplinger for komplett sammenkobling
Lav oljestrømsrate	Utilstrekkelig luftforsyning Skittent luftfilter Blokkert inntaksfilter	Se avsnitt 4.3 Se avsnitt 6.4 Se avsnitt 6.4

ZA4T Lufthydraulisk Vridmomentsnyckelpump

L2675 Rev. B 08/07

produkt finns tillgängliga på Enerpacs webbsida på www.enerpac.com, eller från ditt närmaste Enerpac auktoriserade servicecenter eller på Enerpacs försäljningskontor.

1.0 VIKTIGA MOTTAGNINGSSINSTRUKTIONER

Kontrollera att inga komponenter skadats under transport. Transportskador täcks inte av garantin. Meddela budet direkt om transportskador hittats. Budet ansvarar för alla reparations- och utbyteskostnader som uppkommit på grund av transportskador.

SÄKERHETEN FÖRST

2.0 SÄKERHETSFRÅGOR



Läs noggrant igenom alla instruktioner, varningar och försiktighetsåtgärder. Följ alla säkerhetsåtgärder för att undvika personskador eller skador på egendom under systemdrift. Enerpac kan inte hållas ansvariga för skada eller skador som uppkommit på grund av olämplig produktanvändning, brist på underhåll eller felaktig produkt- och/eller systemdrift. Kontakta Enerpac när osäkerhet uppstår gällande säkerhetsåtgärder och -drift. Om du inte fått utbildning inom hydraulisk högtryckssäkerhet, kan du höra med ditt distributions- eller servicecenter för en gratis Enerpac hydraulisk säkerhetskurs.

Att inte följa de följande försiktighetsåtgärderna och varningarna kan orsaka skador på utrustning och människor.

EN **FÖRSIKTIGHETSÅTGÄRD** används för att påvisa korrekta drifts- och underhållsprocedurer för att förhindra skador på utrustning eller annan egendom

EN **VARNING** indikerar en möjlig fara som kräver korrekta procedurer och rätt användning för att undvika personskador.

EN **RISK** visas bara när dina handlingar eller icke utförda handlingar kan orsaka allvarliga skador eller till och med dödsfall.



VARNING: Använd lämplig personlig skyddsutrustning när hydraulisk utrustning används.



VARNING: Befinn dig inte nära laster som hålls uppe genom hydraulik. En cylinder, som används som lastlyftare, får aldrig användas som lasthållare. Efter att lasten höjts och sänkts måste den alltid vara mekaniskt blockerad.



VARNING: ANVÄND BARA MYCKET HÅLLBAR UTRUSTNING FÖR ATT SÄKRA LASTERNA. Välj noggrant ut stål- och träblock som kan hålla lasten uppe. Använd aldrig en hydraulisk cylinder som ett mellanlägg i någon lyft- eller pressanordning.



FARA: Håll händer och fötter borta från cylinder och arbetsyta vid drift för att undvika personskador.



VARNING: Överskrid inte utrustningens prestationsförmåga. Försök aldrig lyfta en last som väger mer än cylindern klarar av. Överlastning orsakar fel i utrustningen och möjliga personskador. Cylindrarna har tillverkats för en maxvikt på 10,000 psi



(700 bar). Försök inte koppla en jack eller en cylinder till en pump som klarar ett högre tryck.



STÄLL ALDRIG in ventilen till ett högre tryck än det maximala tryck pumpen klarar av. En högre inställning kan resultera i skador på utrustning och/eller personskador.



VARNING: Systemets driftstryck får inte överstiga det trycket på den komponent som har lägst max. tryck, i systemet. Installera tryckmätare i systemet för att övervaka driftstrycket. Det är så du kan se vad som händer i systemet.



IAKTTA FÖRSIKTIGHET: Undvik att skada den hydrauliska slangen. Undvik snäva böjningar och öglor vid hantering av de hydrauliska slangarna. Användning av böjda eller öglade slangar kan orsaka undertryck. Snäva böjningar och öglor kan skada slangen invändigt vilket orsakar för tidig utslitning.



Släpp inte tunga saker på slangen. En hård stöt kan orsaka invändiga skador på slangens vajerlingor. Att applicera tryck på en skadad slang kan göra att den går sönder.



VIKTIGT: Lyft inte den hydrauliska utrustningen med slangarna eller snabbkopplingarna. Använd bärhandtagen eller andra hjälpmedel för en säker transport.



IAKTTA FÖRSIKTIGHET: Håll den hydrauliska utrustningen borta från brand och hetta. För mycket hetta kan göra att packningarna och ventilterna skadas, vilket resulterar i vätskeläckor. Hetta skadar också slangarna och packningarna. Utsätt inte utrustningen för temperaturer på 65 °C (150 °F) eller högre för en optimal prestanda. Skydda slangar och cylindrar från svetsstänk.



FARA: Hantera inte slangar med under tryck. Olja som tar sig ut under tryck kan penetrera huden och orsaka allvarliga skador. Uppsök läkare direkt om oljan sprutas in under huden.



VARNING: Använd bara hydrauliska cylindrar i ett kopplat system. Använd aldrig en cylinder med icke fästa kopplingar. Om cylindern blir extremt överbelastad kan komponenterna skadas vilket kan orsaka allvarliga personskador.



VARNING: SÄKERSTÄLL ATT UPPSTÄLLNINGARNA ÄR STABILA INNAN LASTLYFTNING. Cylindrarna skall placeras på en platt yta som kan hålla lasten. Använd en cylinderbas för ökad stabilitet när så är tillämpligt. Svetsa inte eller på annat sätt modifiera cylindern för att fästa en bas eller annat stöd.



Undvik situationer när laster inte är direkt centrerade på cylinderkolvarna. Ocentrerade laster belastar cylindrarna och kolvarna avsevärt. Dessutom kan lasten glida eller falla vilket orsakar möjliga farliga resultat.



Fördela lasten jämnt över hela lastytan. Använd alltid lastfördelning för att skydda kolven.



VIKTIGT: Hydraulisk utrustning får bara underhållas av en behörig hydraulisk tekniker. Kontakta ett behörigt ENERPAC servicecenter i ditt område vid behov av reparationer. Använd bara ENERPAC-olja för att skydda din garanti.



VARNING: Byt direkt ut utslitna eller skadade delar med äkta ENERPAC-delar. Standarddelar kan gå sönder vilket orsakar personskador och egendomsskador. ENERPAC-delar är tillverkade för att passa perfekt och motstå höga laster.



VARNING! Starta pumpen med ventilen i neutralt läge för att förhindra oavsiktlig cylinderrörelse. Håll händerna borta från rörliga delar och trycksatta slangar.

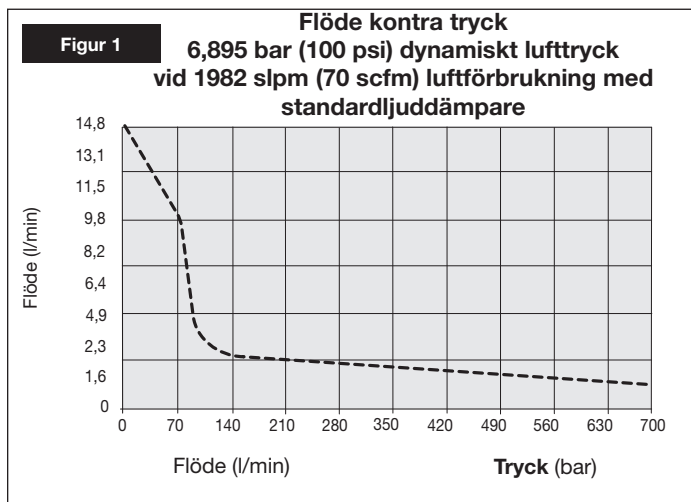


VARNING! Dessa pumpar har inbyggda, fabriksinställda säkerhetsventiler, som endast får repareras eller justeras av ett auktoriserat Enerpac servicecenter.

3.0 SPECIFIKATIONER

3.1 Prestandadiagram (se Prestandadiagram nedan)

3.2 Flödesdiagram

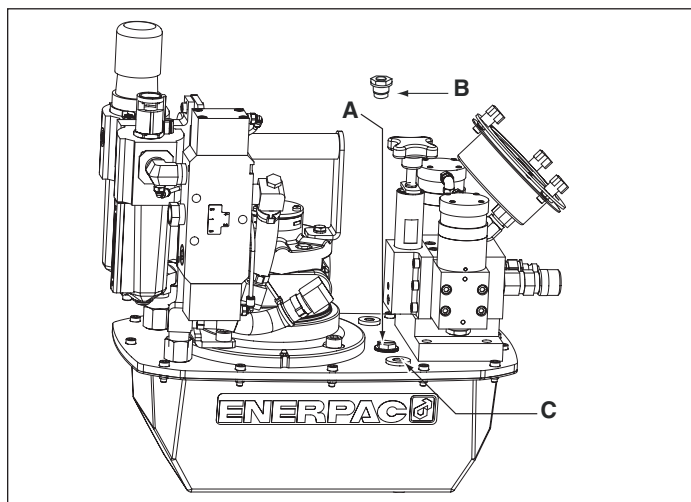


4.0 MONTERING

Montera eller placera pumpen för att säkerställa att luftflödet runt motorn och pumpen är fritt. Håll motorn ren för att säkerställa maximal kylning under drift.

4.1 Behållarens ventilatorlock (se figur 2)

För transportsyfte monteras en transportplugg (A) i ventilatorporten ovanpå behållaren. Byt ut transportpluggen mot ventilatorlocket (B) före användning. OBS! Ventilatorporten (B) är skild från oljepåfyllningsporten (C). Oljepåfyllningsporten (C) använder en SAE nr. 10 plugg.



Figur 2, ZA4T-ventilatormontering



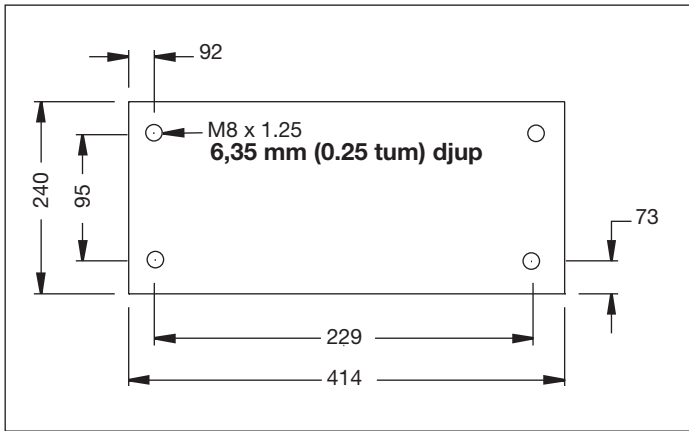
▼ ZA4T-PRESTANDADIAGRAM

Motor storle (hk)	Utlödes hastighet kubikm/min				Dynamiskt lufttrycksområde (bar)	Luftförbrukning (scfm)	Ljudnivå vid 6,895 bar (100 psi) dynamiskt lufttryck (dBA)	Säkerhetsventilens justeringsområde (bar)
	7 bar	50 bar	350 bar	700 bar				
4*	15,2	12,7	2,0	1,5	4-7	20-100	80-95	1,400-10,000 for "Q" version 1,400-11,600 for "E" version

*Faktisk strömförbrukning beror på tillämpningen. Se figur 1.

4.2 Pumpmontering

Se figur 3 för monteringsmått för att säkra pumpen vid en fast yta.



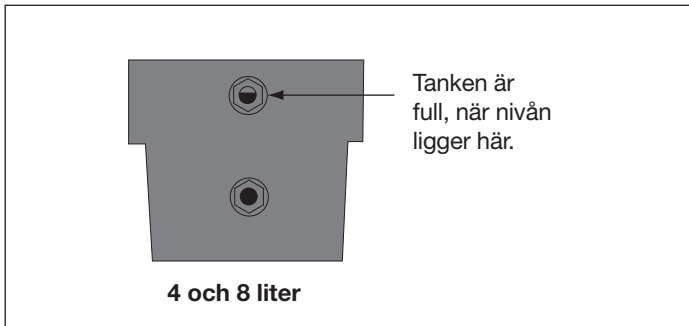
Figur 3

4.3 Lufttillförselanslutningar

Pumpen kräver 4,137 – 6,895 bar (60-100 psi) dynamiskt lufttryck vid 566 – 2832 lpm (20-100 cfm). Anslut den inkommande lufttillförseln till 1,27 cm (½-tums) NPT-porten på regulator/filter/smörjanordningen.

4.4 Vätskenivå

Kontrollera oljenivån i pumpen före igångsättning, och fyll vid behov på olja genom att ta bort SAE nr. 10 pluggen från kåpan (se figur 2). Behållaren är full, när oljenivån når överdelen av inspektionsglaset. (Fig. 4).



Figur 4

VIKTIGT! Fyll på olja endast när alla systemkomponenter dragits tillbaka, för annars kommer systemet att innehålla med olja än behållaren kan rymma.

4.5 Anslut hydraulslangarna

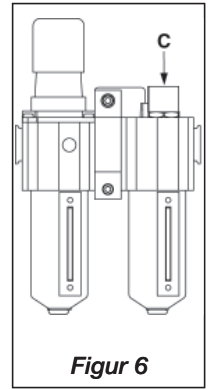
Anslut slangarna som figur 5 visar

1. (-E)-pumptyp för Enerpac SQD- och HXD-momentnycklar. Se till att du använder slangar märkta "ENERPAC THC-700 SERIES - 800 Bar (11,600 psi) max." Kopplingarna på dessa slangar har "polariserats" vid fabriken för att säkerställa korrekt nyckelarbete. (Se figur 5.)

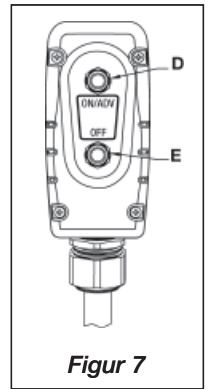
A. Honkopplingar för slang och nyckel. Dra åt de gängade kopplingslåsringarna för hand. Inga verktyg krävs.

B. (-E)-pumpens honkopplingar är självlåsande. Tryck ihop passande kopplingar tills kopplingsringen snäpper framåt. För att frångkoppla dem vrids du kopplingslåsringen och trycker bort från anslutningen.

2. (-Q)-pumptyp för Enerpac S- och W-momentnycklar och andra märken. Använd slangar märkta "Enerpac THQ-700 series-689,5 bar (10,000 psi) max.". Kopplingarna måste ha polariserats enligt figur 5 för korrekt nyckelarbete. Säkerställ att kopplingarna är helt inkopplade och åtdragna före användning. Delvis kopplingsinkoppling kommer att förhindra riktigt nyckelarbete.



Figur 6



Figur 7

4.6 Påfyllning av luftsmörjanordningen

Fyll behållaren med lätt dimsmörjningsolja lämplig för lufttrycksverktyg.

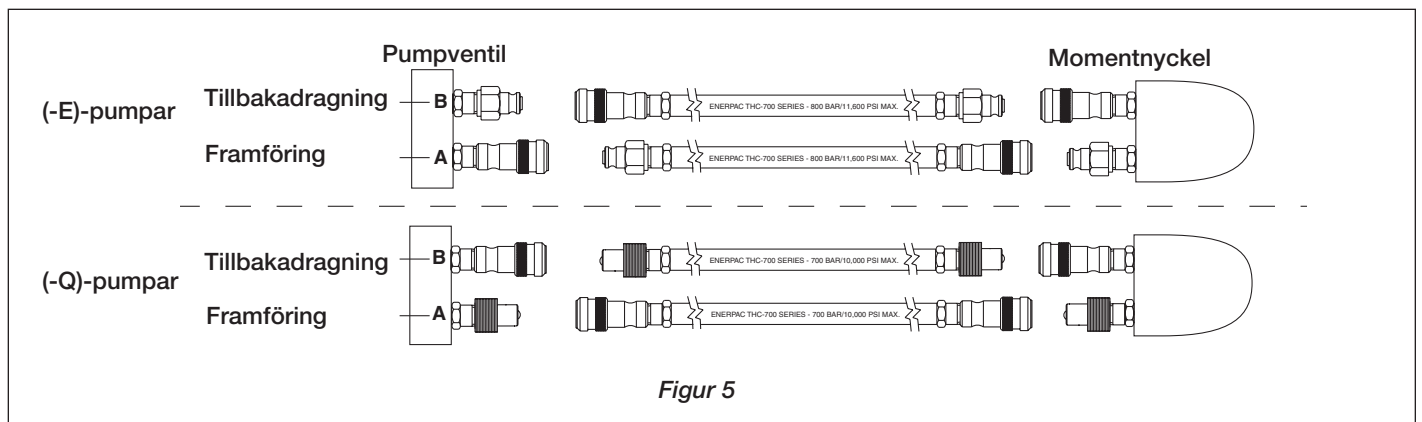


WARNING! Att upprätthålla smörjanordningens oljenivå är mycket viktigt för pumpens livslängd.

4.7 Justering av luftsmörjningsanordningen

Justeringsratten (C) har justerats till helt medurs läge på fabriken, så ingen olja levereras för att smörja systemet. Vrid på luften och starta flödet till systemet för att göra initialjusteringen. Vrid ratten för att justera oljedroppshastigheten. Vrids ratten moturs ökar dropphastigheten. (se fig. 6) Ställ in dropphastigheten till en eller två droppar per minut till att börja med, och finjustera hastigheten, när systemet når sin normala driftstemperatur.

Håll en spegel nära utrustningens utblåsning för att kontrollera smörjningen. Om en tjock hinna bildas, minskar du smörjningen.



Figur 5

4.8 Justering av lufttrycksregulatorn

Draratten rakt upp för att låsa upp. Justerratten måste vridas medurs för att öka och moturs för att minska utloppets tryckinställning. För att minska trycket reducerar du först till ett tryck som är lägre än det du vill ha, och sedan ökar du det till önskat utloppstryck (Se figur 6.)

5.0 DRIFT

VIKTIGT! Endast en användare bör, om möjligt, använda momentnyckel och pump. Detta kan förhindra oavsiktlig aktivering av pumpen medan operatören placerar nyckeln.

1. Kontrollera alla systeminpassningar och anslutningar för att vara säkra på att de sitter åt och inte läcker.
2. Kontrollera oljenivån i behållaren och fyll vid behov på olja. (Se avsnitt 4.4)
3. För att starta påumpen trycker du på den gröna "ON/ADV"-knappen (D) på pendangen (sändtagaren) Nyckeln förs framåt så länge som den gröna knappen hålls intryckt.
4. Släpp den gröna knappen för att dra tillbaka nyckeln. Motorn förblir "PÅ".
5. Tryck på den röda OFF-knappen (E) på pendangen för att stänga av pumpmotorn.
6. För att lätta på hydraultrycket på nyckeln och slangarna trycker du ner och håller nere den röda OFF-knappen. Tryck ner och släpp upp den gröna ON/ADV-knappen 3 eller flera gånger tills tryckmätaren visar trycket 0. Slangarna kan nu tas bort.

! VARNING! SE TILL ATT MOTORNÄRAVSTÄNGD OCH INTE GÅR GENOM ATT TRYCKA PÅ DEN RÖDA OFF-KNAPPEN, INNAN LUFTTILLFÖRSELKÄLLAN STÄNGS AV ELLER KOPPLAS LOSS.

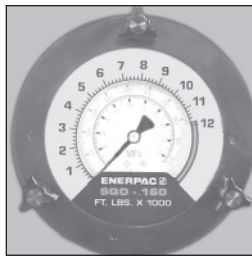
5.1 Avluftning

När nyckeln först ansluts till pumpen, kommer luft att inneslängas i komponenterna. För att garantera jämn och säker drift, avlägsnas luften genom att nyckeln kretsas flera gånger utan belastning. Kretsas tills nyckeln förs framåt och dras tillbaka utan tvekan.

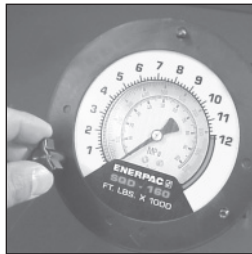
Kontrollera oljenivån före drift.

5.2 Mätning- och överlägsrutin

Pumpen kommer med en tryckmätare installerad. För bekvämlighets skull medföljer vridmomentsöverlägg med varje pump. Ett vridmomentsöverlägg passar över tryckmätarens mätartavla och konverterar lätt tryckavläsningar till vridmomentsavläsningar (se fig. 8). Överlägget har brittiska enheter (Ft-Lbs) på ena sidan och metriska enheter (Nm) på den andra. För att ändra skalor vänder du helt enkelt på överlägget.



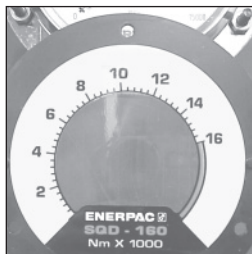
Figur 8



Figur 9



Figur 10



Figur 11



! VARNING! Varje överlägg är anpassat ENDAST för en specifik Enerpac-momentnyckel. Får inte användas med andra nycklar.

5.3 Att byta överlägget

1. Ta bort de tre svarta vingvredena som håller den främre mätarflänsen på plats (se fig. 9).
2. Ta bort främre flänsen och överlägget (se fig. 10).
3. Sätt in nytt överlägg (kom ihåg att verifiera att korrekt överlägg för Enerpac vridmomentnyckel används) på flänsen, rikta in överlägget med försänkningarna på flänsens baksida (se fig 11).
4. Medan du håller överlägget bakom flänsen (se fig. 10) sätter du in flänsen på vredestapparna, placerar om överlägget efter behov och drar åt vredena för hand (se fig. 9).

Flänsen pressar överlägget mot mätaren och säkrar det på plats. Se momentnyckelinstruktionerna för den mängd tryck som behövs för att producera önskat vridmoment. Observera att det maximala trycket varierar beroende på nycklar och tillbehör.



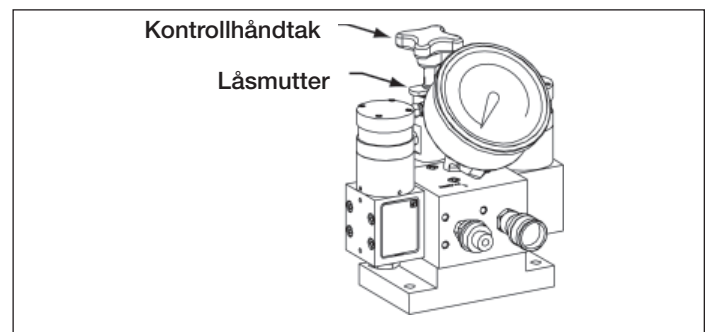
! VARNING! Se momentnyckelinstruktionerna för nyckelrutiner.

5.4 Tryck- (Vridmoment-)inställning



! VARNING! Gör dessa justeringar INNAN du sätter momentnyckeln på en mutter eller bultskalle. Pumpptrycksinställningen kan ligga över det tryck som behövs för att ge erforderligt vridmoment för din applikation. Att överskrida erforderligt vridmoment kan orsaka skada på utrustningen och kan leda till allvarlig personskada

Pumpar av Z-klass är utrustade med en användarjusterbar säkerhetsventil (se figur 12). För att begränsa framförandet till momentnyckeln kan det justeras enligt följande:



Figur 12, Sakerhetsventil

1. Lossa på säkerhetsventilens låsmutter och vrid handtaget moturs tills du känner ett lätt motstånd när du vrider.
2. Starta pumpen och låt oljan värmas upp.
3. Tryck ner och håll ner ON/ADV-knappen för att bygga upp trycket i matarkretsen. Vrid säkerhetsventilens reglerhandtag medurs för att höja trycket till önskat värde.
OBS! För att få en noggrann inställning sänker du trycket till en punkt under den slutliga inställningen och höjer sedan trycket tills det når den slutliga inställningen.
4. Dra åt säkerhetsventilens låsmutter vid det önskade tryckvärdet.
5. Släpp upp pendangens ON/ADV-knapp för att låta systemtrycket återgå till B-portens avlastningsinställning. Motorn fortsätter att gå.

- Kontrollera det slutliga trycket igen genom att slå om ventilen och trycksätta systemet

6.0 UNDERHÅLL

Undersök regelbundet alla systemkomponenter och leta efter läckor eller skada. Reparera eller byt ut skadade komponenter.

6.1 Kontrollera oljenivån

Kontrollera oljenivån i pumpen före igångsättning, och fyll vid behov på olja genom att ta av locket på påfyllningsporten. Se alltid till att alla hydraulnycklar är helt tillbakadragna innan du fyller på vätska i behållaren. Se figur 2..

6.2 Byte av olja och rengöring av behållaren

Enerpac HF-olja har en klar blå färg. Kontrollera regelbundet oljans tillstånd och leta efter föroreningar genom att jämföra oljan i pumpen med ny Enerpac-olja. Ta som regel att helt tappa ur och rengöra behållaren var 250:e körtimme, eller oftare om utrustningen använts i smutsiga miljöer.

OBS! Denna procedur kräver att du demonterar pumpen från behållaren. Arbeta på en ren bänk och kassera använd olja i enlighet med lokala bestämmelser.

- Skruva loss de 13 bultar som håller täckplåten vid behållaren och lyft ut pumpenheten ur behållaren. Var försiktig så att du inte skadar filtersilen.
- Tappa ut all olja ur behållaren.
- Rengör behållaren och behållarens magnet noggrant med lämpligt rengöringsmedel.
- Ta bort sugfiltersilen för rengöring. (Dra inte i silen eller i botten på intaget för att undvika eventuell skada.) Rengör silen med lösningsmedel och en mjuk borste. Sätt tillbaka den.
- Montera ihop pumpen och behållaren och sätt på en ny packning på behållaren.
- Fyll behållaren med ren Enerpac-hydraulolja. Behållaren är full när oljenivån ligger i mitten på inspektionsglaset (se figur 4).

6.3 Rengöring av ljuddämparen

När pumpen körs under längre tidsperioder kan is bildas på dämparelementet och måste avlägsnas. Rengör dämparen genom att skruva loss den och avlägsna allt skräp

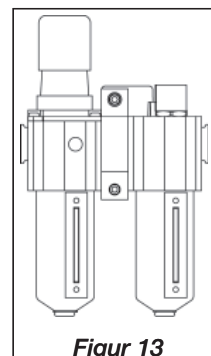
6.4 Rengöring av luftfiltersmörjningsanordningen

Undersök luftfiltersmörjningsanordningen ofta för att upptäcka skada. Byt ut skadade skålar.

Håll filterskålen ren för att bibehålla filtrets effektivitet. Enheten är utrustad med en automatisk avtappning, som öppnas vid omkring 0,2 barg [3 psig] och stängs vid ungefär 0,3 barg [5 psig]. (Se figur 13.)

En synlig beläggning av smuts eller kondens på filterinsatsen eller ett starkt tryckfall indikerar att rengöring är nödvändig. Minska trycket i enheten innan skålen tas bort för rengöring. Vrid inte smörjningsventilen (H) medan systemet är trycksatt för då kommer olja att stötas ut.

WARNING! Rengör filterskålen endast med hushållstvål.



Figur 13

7.0 FELSÖKNING (SE FELSÖKNINGSHANDBOKEN)

Endast kvalificerade hydraultekniker ska serva pumpen eller systemkomponenterna. Ett systemfel kanske eller kanske inte är ett resultat av ett pumpfel. För att fastställa orsaken till problemet måste hela systemet inkluderas i alla diagnosrutiner. Följande information är avsedd att användas endast som hjälp för att avgöra om ett problem föreligger. För reparationservice kontaktar du ditt lokala auktoriserade Enerpac-servicecenter.

Felsökning		
Problem	Möjlig orsak	Åtgärd
Pumpen startar inte	Luften avstängd eller ledningen blockerad	Se avsnitt 5.0 Drift för detaljer
Motorn tjuvstannar under belastning	Lågt lufttryck Luftljuddämparen tilltäppt; förorenad luft	Se avsnitt 6.2B och 6.3A Minska belastning eller öka cylinderkapacitet Kontrollera att hydraulkopplingarna är helt anslutna
Pumpen misslyckas med att skapa tryck eller skapar mindre än fullt tryck	Låg oljenivå Säkerhetsventilen inställd för lågt Extern systemläcka Intern läcka i pumpen Intern läcka i ventilen Intern läcka i systemkomponent	Fyll på olja enligt avsnitt 4.4 Justera enligt avsnitt 5,4 Undersök och reparera eller byt Kontakta auktoriserat servicecenter SKontakta auktoriserat servicecenter Kontakta auktoriserat servicecenter
Momentnyckeln går inte tillbaka	Ventilfel Returflödesledningen igensatt eller blockerad Otillräcklig lufttillförsel	Kontakta auktoriserat servicecenter Kontrollera att kopplingarna är helt anslutna
Låg oljeflödeshastighet	Smutsigt luftfilter Tilltäppt luftfilter	Se avsnitt 4.3 Se avsnitt 6.4 Se avsnitt 6.4

L2675 Rev. B 08/07

本产品的维修部件说明可以从ENERPAC网站 WWW.ENERPAC.COM，或从您最近的ENERPAC服务中心，或ENERPAC办事处获得。

1.0 重要收货说明

检查所有零件是否存在运输损伤。运输过程中的损伤不在质保范围。如发现运输过程中的损伤，请立即通知承运商，其有责任承担由运输损坏造成的修理及更换费用。

安全第一

护活塞杆。

2.0 安全条例



阅读所有说明书，警告及注意事项。操作时，遵守一切安全规则，避免发生人身伤害及财产损失。如果用户由于非安全生产，缺乏正常维护，操作或使用不当而造成的人身伤害及财产损失，ENERPAC不负任何责任。如对安全防范及措施有任何疑问，请和ENERPAC联系。如果您在高压液压方面从来未接受过培训，请联系您本地区的分销商或服务中心进行免费的ENERPAC液压安全培训课程。

不遵守下列警示及防范条例，将会造成设备损坏及人身伤害。

注意-用来说明正确的操作、维护程序以及如何避免伤害或损坏设备及其他财产。

警告-说明一种潜在的危險，要求有正确的程序和习惯以避免人身伤害。

危險-仅是指您的某个动作（或缺乏某个动作）可能导致严重的伤害甚至死亡事故。



警告：当操作高压液压系统时应配备正确的劳动保护装备。



警告：不要在被液压支撑的负载下逗留。当油缸被用来作为顶升负载的装置时，绝不能够作为负载支撑装置来使用。在负载被顶升或下降后，必须采用机械装置牢固支撑。



警告：必须使用刚性物体来支撑重物。仔细选择能够承受重物的钢或者木块来支撑载荷。不要在顶升或挤压应用中将液压缸当作垫块使用。



危險：为避免人身伤害，操作中手脚与油缸和工作件保持一定距离。



警告：在顶升负载时，绝对不要超过油缸额定负载。超载将导致设备损坏和人身伤害。油缸的设计最大压力为700bar。不要将油缸和千斤顶连接在更高压力等级的泵上。



注意：绝对不要将安全阀的压力设定高过泵的最高压力等级。过高的设定会导致设备损坏和人身伤害。



警告：系统的最大工作压力决不能超过系统中最低压力等级原件的最大工作压力。安装压力表在系统中以检测系统压力。压力表是您观察液压系统的窗口。



注意：避免损坏软管。在排放软管时应避免过度弯曲和绞结软管。使用过度弯曲或绞结的软管将会产生极大的背压。过度弯曲和绞结软管将损坏软管内部结构，从而导致油管过早失效。



避免：将重物砸压在油管上。剧烈的冲击会对油管内部钢丝编织产生损害。给有损伤的油管加压会导致油管爆裂。



重要：严禁提拉软管或旋转接头来提起液压设备。应使用搬运手柄或其他安全方式。



注意：使液压设备远离明火或过热源。过热会软化衬垫和密封，导致油液泄漏。热量也会弱化软管材料和包装。为了达到最佳工作状态，不要让设备处于65°C或更高温度中。保护软管和油缸免受焊接火花的喷溅。



危險：不要用手触摸打压状态的软管。飞溅出的压力油能射穿皮肤，导致严重的伤害。如有压力油溅到皮肤上，请立即去看医生。



警告：只能在系统全部连接好后才能使用油缸，决不能在系统未完全连接时使用油缸。如果油缸极度过载，各部件将产生不可挽回的损坏，其结果导致极为严重的人身伤亡。



警告：在顶升负载前应确保安装件的稳定性。油缸应放置在一个可承受负载的平坦平面上。在一些应用中可使用油缸基座提高油缸稳定性。不要用焊接或其他更改方法加固油缸底部。



避免：负载的力作用线没有穿过油缸活塞杆的中心。偏心负载将会在油缸和活塞杆上产生相当大的张力，此外负载也可能滑移和倒下产生潜在危险。



将负载作用力完全分配到整个鞍座表面。始终使用鞍座保护活塞杆。



重要：液压设备必须由有资质的液压技术人员维护。如需修理维护，请与您区域内的ENERPAC授权服务中心联系。请使用ENERPAC液压油，以保护ENERPAC对您设备的质量保证。



警告：及时用正牌的ENERPAC零件替换已磨损或已损坏的零件。普通级别的零件会破裂，导致人身伤害和财产损失。ENERPAC零部件被设计来承受高压载荷。



警告：在阀处于中间位置时启动泵，以免汽缸出现意外操作。让双手远离移动的零件和压力软管。

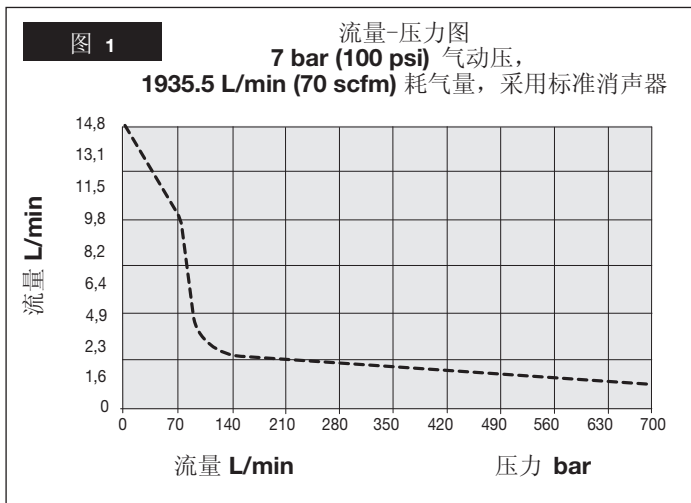


警告：这些泵带有内部泄压阀，这些阀在出厂时都已调节妥当；必要时，只能由授权的“Enerpac 服务中心”工作人员进行修理或调节。

3.0 规格

3.1 性能图（参见下面的性能图）

3.2 流程图



4.0 安装

安装泵或对其进行定位，确保电机和泵周围的气流畅通无阻。让电机保持清洁，确保在操作过程中获得最大冷却效果。

4.1 油箱通气管帽（见图 2）

为了便于运输，油箱顶部的通气口中安装有运输管塞 (A)。使用前，请将运输管塞换成通气管帽 (B)。注：通气口与加油口 (C) 彼此独立。加油口 (C) 使用的是 SAE #10 塞。



▼ ZA4T 性能图

电机功率 KW (hp)	输出流动速率 L/min (in ³ /min)				气动压范围 (bar)	气耗量 L/min (scfm)	气动压为 7 bar (100 psi) 时的声音等级 (dBA)	泄压阀调节范围 (bar)
	7 bar	50 bar	350 bar	700 bar				
4*	15,2	12,7	2,0	1,5	4-7	20-100	80-95	“Q”型为 98-700 (1,400 -10,000) “E”型为 98-812 (1,400 -11,600)

*实际功耗取决于具体应用。见图 1。

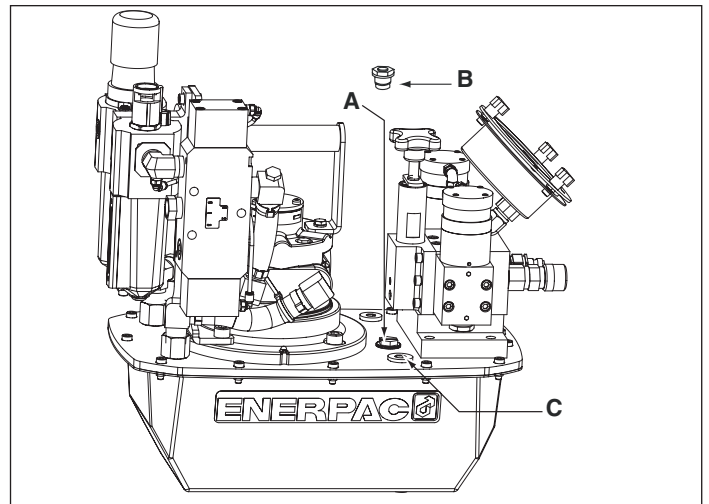


图 2 - ZA4T 通气装置安装图

4.2 安装泵

图 3 显示了将泵安装在固定平面时的安装尺寸。

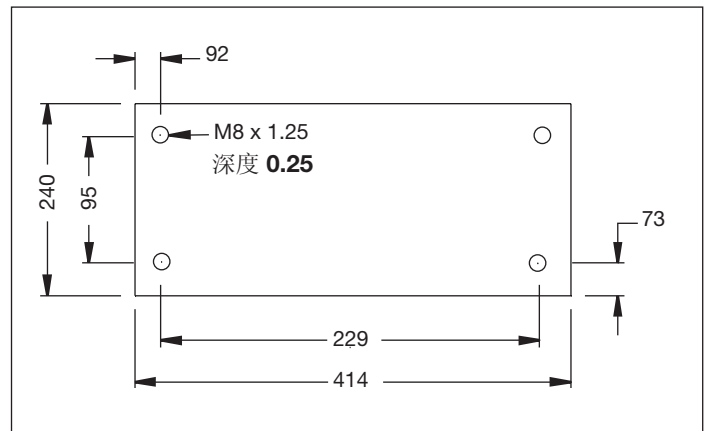


图 3

4.3 连接气源

泵要求 4.2-7 bar (60-100 psi) 的气动压、0.32-1.6 l/min (20-100 cfm) 的流量。将进气源连接到调节器/过滤器/润滑器的 1/2" NPT 口上。

4.4 油位

启动前检查泵的油位，必要时，从盖板上拔掉 SAE #10 塞，然后给泵加油（见图 2）。当油位到达观察孔顶部时，就表明油箱已充满。（图 4

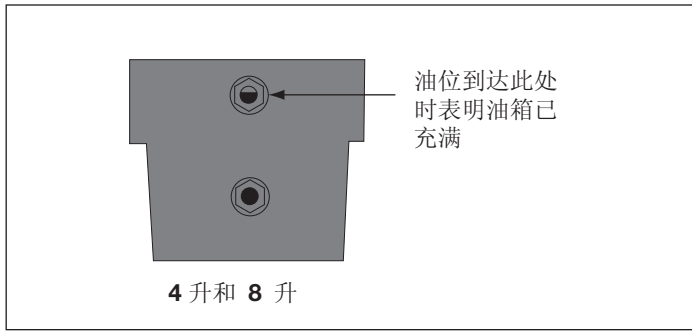


图 4

重要事项：只能在所有系统组件都缩回时加油，否则，系统中的油量会超过油箱容量。

4.5 连接液压软管

如图 5 所示连接软管。

1. 适合使用 Enerpac SQD 和 HXD 转矩扳手的 (-E) 型泵。确保使用标有“ENERPAC THC-700 SERIES - 800 Bar/11,600 psi max”的软管。这些软管上的接头已经在工厂经过了“极化处理”，可确保扳手操作正确性。（见图 5）
 - A. 软管和扳手阴螺纹接头。手工拧紧螺纹接头锁紧环，不需要工具。
 - B. (-E) 泵的母螺纹接头为自锁式，将成对接头按在一起，直到接头锁紧环咬合好为止。如果要断开连接，请顺时针扭动接头锁紧环，使它们彼此脱开。
2. 适合使用 Enerpac S 和 W 转矩扳手及其他品牌转矩扳手的 (-Q) 型泵。使用标有“Enerpac THQ-700 series-700 bar/10,000 psi max.”的软管。接头必须按图 5 所示进行极化处理，以确保扳手操作正确性。操作前确保接头完全啮合并已拧紧。如果接头只是部分啮合，将会妨碍扳手正确操作。

4.6 为空气润滑器加油

在润滑器油箱中加注适合压缩空气工具使用的略微雾化的油。



小心：保持润滑器油位，对泵的使用寿命具有重要意义。

4.7 调节空气润滑器

调节螺母 (C) 在出厂时已被调整到顺时针方向的尽头，在此状态下系统无法获得润滑油料。要进行初始调节，请打开进气装置，油就开始流入系统。旋转调节螺母，调节油的滴落速度。逆时针旋转调节螺母，会提高滴落速度。（见图 6）一开始，将滴落速度设置为每分钟一到两滴，在系统达到正常操作温度

后，对速度进行微调。

要检查润滑效果，请握住一面镜子，放到设备排气口附近。如果形成厚厚的一层膜，请减少润滑油。

4.8 调节空气压力调节器

向上拉调节螺母，以解除锁定。要提高出口压力设置，就必须顺时针旋转调节螺母；要降低出口压力设置，就必须逆时针旋转。要降低压力，首先将压力降到所需压力以下，然后逐渐提高到所需出口压力。（见图 6）

5.0 操作

重要事项：只要可能，应该由一位用户操作转矩扳手和泵。这样，在操作员定位扳手时，可防止泵意外操作

1. 检查所有系统配件和连接，确保它们紧密且无泄漏
2. 检查油箱的油位，根据需要加油。（见第 4.4 节）
3. 要启动泵，按下悬吊开关（手持）上的绿色“ON/ADV”（开/前进）按钮 (D)。只要按住绿色按钮，扳手就会一直前进。
4. 释放绿色按钮，让扳手退回。电机将保持“ON”（开）状态。
5. 按下悬吊开关上的红色“OFF”（关）按钮 (E)，停止泵的电机。
6. 要释放扳手和软管上的液压，请按住红色“OFF”（关）按钮。按下然后释放绿色“ON/ADV”（开/前进）按钮，重复 3 次或更多次，直到压力计读数为 0 为止。现在可以卸下软管

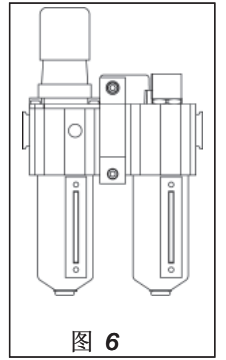


图 6

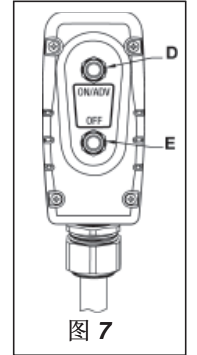


图 7



小心：关闭或断开气源前，按下红色“OFF”（关）按钮，以确保电机处于关闭状态，不会转动。

5.1 排除空气

第一次将扳手连接到泵上时，组件中会滞留空气。要确保操作安全且畅通无阻，请在没有荷载的情况下让扳手反复运动几次，以排除空气。重复以上操作，直到扳手能顺畅地前进和后退为止。

操作前检查油位。

5.2 压力计和扭矩盖操作程序

泵上预装有压力计。为了方便操作，我们为每个泵提供了几个扭矩盖。将扭矩盖装到压力计刻度盘面上，就能轻松将压力读数换算为扭矩读数（见图 8）。扭矩盖一侧为英制单位 (Ft-Lbs)，另一侧为公制单位 (Nm)。要更改度量，滑动扭矩盖即可。

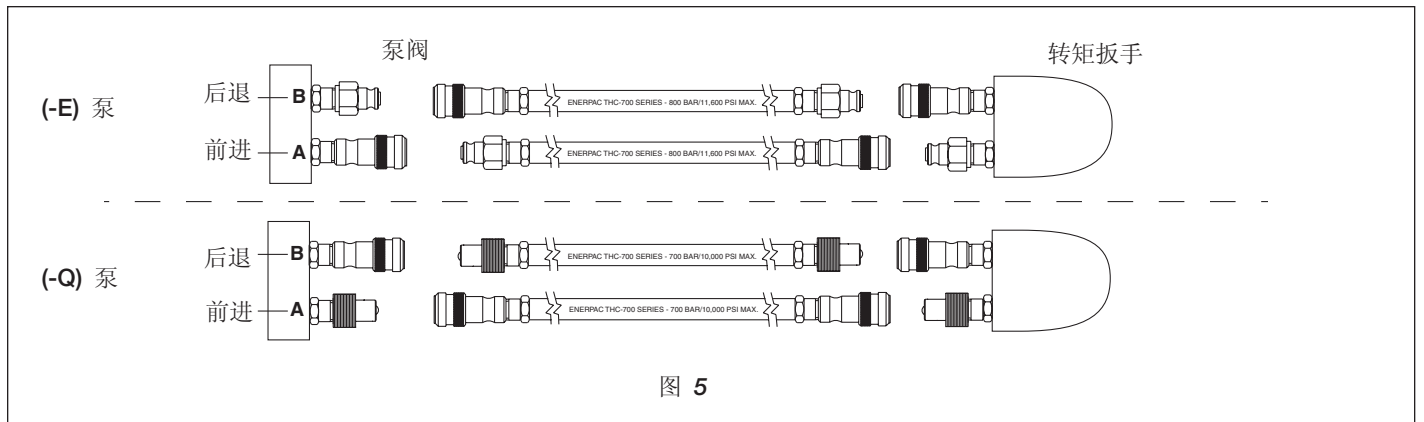


图 5



警告：每个扭矩盖仅适用于一个 Enerpac 转矩扳手。请勿用于其他扳手。

5.3 更换扭矩盖

1. 卸下固定压力计前法兰的三个黑色翼形螺母（见图 9）。
2. 卸下前法兰和扭矩盖（见图 10）。
3. 将新扭矩盖（记住对照 Enerpac 转矩扳手检查所用扭矩盖是否正确）插到法兰上，将扭矩盖对准法兰背面的凹陷（见图 11）。
4. 将扭矩盖贴到法兰背面（见图 10），然后将法兰插到调节螺母上，根据需要将扭矩盖重新定位，然后将调节螺母的翼形拧紧（见图 9）。

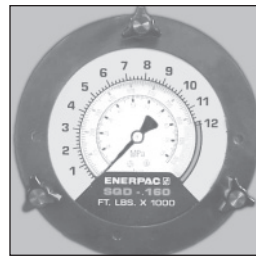


图 8

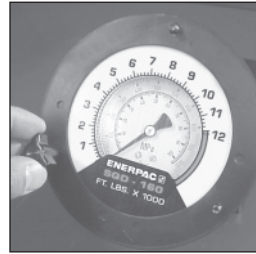


图 9



图 10

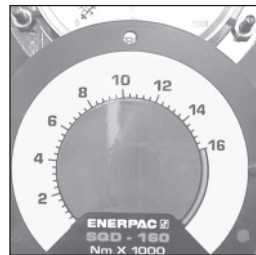


图 11

法兰会将扭矩盖压到压力计上，将它固定到位。请参见转矩扳手说明，了解产生预期扭矩需要的压力值。注：不同的扳手和附件所需最大压力不同。



小心：请参考转矩扳手说明，了解扳手操作程序。

5.4 压力（扭矩）设置



警告：请先执行以上调节，然后再将转矩扳手放在螺母或螺栓头上。泵的压力设置可能高于提供能满足应用需求的扭矩所需要的压力。超过所需扭矩可能会导致设备损坏，造成严重的人身伤害。

Z型泵配备有一个用户可以调节的泄压阀（见图 12）。要限制转矩扳手的前进，可按以下方式调节：

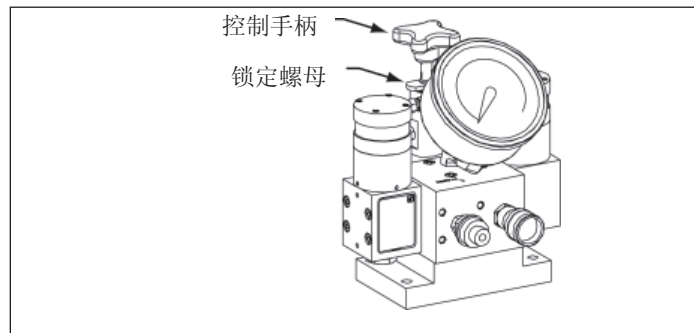


图12- 泄压阀

1. 拧松泄压阀锁定螺母，然后逆时针旋转手柄，直到旋转时出现轻微的拖曳感为止。
2. 启动泵让油升温。
3. 按住“ON/ADV”（开/前进）按钮，以便给前进管路打压。顺时针旋转泄压阀控制手柄，将压力提高到所需的值

注：要获得精确设置，请将压力降低到最终设置的某一点，然后缓慢提高压力，直到其达到最终设置为止。

4. 在得到所需压力值时，拧紧泄压阀锁定螺母。
5. 释放悬吊开关“ON/ADV”（开/前进）按钮，让系统压力返回 B 接口旁通设置。电机将继续运转。
6. 通过切换阀并为系统增压，重新检查最终压力设置。

6.0 维护

经常检查所有系统组件是否存在泄漏或损坏。维修或更换损坏的组件。

6.1 检查油位

启动前检查泵的油位，必要时，卸下加油口的盖子加油。为油箱加油前，始终确保液压扳手已完全缩回。见图 2。

6.2 换油和清洁油箱

Enerpac HF 油呈现清澈的蓝色。经常比较泵中的油与新鲜 Enerpac 油，检查油的污染状况。一般情况下，每隔 250 小时需要将油箱完全排空，然后清除干净；如果是在肮脏环境中使用，清洁频率要更高一些。

注：此程序需要您从油箱上卸下泵。工作时请使用干净工作台，用过的油应根据地方法规进行处理。

1. 卸下将盖板固定到油箱上的 13 个螺栓，然后将泵组从油箱中提出来。小心操作，不要损坏滤网。
2. 从油箱中倒出所有的油。
3. 用适合的清洁剂彻底清洁油箱和油箱磁铁。
4. 卸下传感器滤网进行清洁。（不要拉滤网或进口的底部，以免损坏设备。）用溶剂和柔软的刷子清洁滤网。重新安装。
5. 重新安装泵和油箱，安装一个新的油箱垫圈。
6. 将清洁的 Enerpac 液压油加入油箱。油位达到观测计中部时表明油箱已满（见图 4）。

6.3 清洁消声器

当泵运行比较长的时间后，消声器元件上可能会形成冰，这些冰必须清除掉。要清洁消声器，请拧松螺钉，然后清除所有碎屑

6.4 清洁空气过滤器润滑器

经常检查空气过滤器润滑器是否损坏。更换损坏的滤杯。

保持滤杯清洁，以确保过滤效率。本设备有自动排放装置，在 0.21 bar (3 psig) 左右自动排放装置打开，在约 0.35 bar (5 psig) 关闭。

如果看到过滤器元件上形成了一层污垢或冷凝物，或气压过分下降，则表示需要进行清洁。请先将设备减压，然后再卸下滤杯清洁。系统加压时不要旋转润滑口 (H)，否则油会溢出

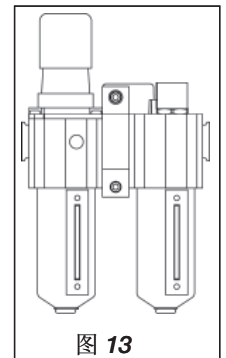


图 13



小心：滤杯只能用普通肥皂清洁。

7.0 故障排除（参见《故障排除指南》）

只有合格的液压技术人员才能维修泵或系统组件。系统故障不一定是由泵故障导致的。为了确定问题的原因，任何诊断程序都必须包括整个系统。下面的信息仅用于帮助确定是否存在问题。有关维修服务，请联系当地的授权“Enerpac 服务中心”。

故障排除指南		
问题	可能的原因	操作
泵无法启动	无法进气或线路阻塞	参见第 5.0 节“操作”，了解详细信息。
电机在承受负载后停止运转	气压低 消声器阻塞；空气污染	参见第 6.2B 和 6.3A 节 减少负载或增加汽缸容量 检查液压系统管接头是否完全啮合
泵无法打压或无法打上全压	油位低 泄压阀设定过低 外部系统泄漏 泵存在内部泄漏 阀存在内部泄漏 系统组件存在内部泄漏	按照第 4.4 节加油 按照第 5.4 节调节 检查并维修或更换 参见授权的服务中心 参见授权的服务中心 参见授权的服务中心
扳手不能缩回	阀故障 回流线路受限或阻塞	参见授权的服务中心 检查接头是否完全啮合
油的流速低	气源不足 空气过滤器不干净 进口过滤器阻塞	参见第 4.3 参见第 6.4 参见第 6.4

L2675 Rev. B 08/07

本製品の修理部品表は、エナパックのウェブサイト、www.enerpac.com、最寄りの正規エナパックサービスセンターまたはエナパック営業所で入手することができます。

1.0 納品時の重要指示

全ての部品に運送中の損傷がないか目視で確かめてください。運送中の損傷は保証されません。運送中の損傷が見つかった場合、すぐに運送業者に連絡してください。運送中に生じた損傷については、運送業者が修理費や交換費を全て負担します。

安全第一

2.0 安全事項



指示、警告、注意は必ずよくお読みください。安全注意事項に従って、システム操作中に人身事故や器物破損が起こらないようにしてください。エナパックは、不安全な製品の使用、保守の不足、製品及び/又はシステムの不正な操作から生じる損傷や怪我には責任を負いません。安全注意事項及び操作に関して疑問点があれば、エナパックまでお問い合わせください。高圧油圧の安全に関する訓練を受けたことがない場合、無料のエナパックハイドロリック安全コースについて、担当の販売店又はサービスセンターにお問い合わせください。

以下の注意及び警告に従わない場合、装置破損や人身事故の原因となる恐れがあります。

注意は、装置やその他器物の破損を防止するための、適正な操作や保守手順を示す場合に使われます。

警告は、人身事故を予防するために適正な手順や心得が必要な潜在的な危険性を示します。

危険は、重傷や死亡事故の原因となる恐れがある禁止行為又は必須行為を示します。



警告: 油圧機器を取り扱う際は、適切な保護用具を装着してください。



警告: 油圧によって支える荷物はきれいにしておいてください。シリンダを荷揚げのために利用する場合、絶対に荷重保持には使用しないでください。荷物を揚げ降ろした後は、必ず機械的なブロック（固定）を施してください。



警告: 荷物の保持には、必ず頑丈なものを使用してください。荷物を支持可能なスチール製又は木製のブロックを慎重に選んでください。どのような荷揚げ又はプレスであっても、油圧シリンダを絶対にシム又はスペーサーとして使用しないでください。



危険: 操作中は、人身事故を防止するため、シリンダや作業物から手足を離してください。



警告: 装置の定格を超えないようにしてください。シリンダの能力を超える重量の荷揚げは絶対に行わないでください。過荷重は、装置の故障や場合によっては人身事故の原因となります。シリンダに設計されている最大圧力は、70 Mpa (10,000 psi) です。ジャッキやシリンダは、定格を超える圧力のポンプには接続しないでください。



リリーフバルブは、ポンプの最大定格圧力以上の高圧に設定しないでください。高圧に設定すると、装置の破損及び/又は人身事故の原因となる恐れがあります。



警告: システムの使用圧力は、システム内の最低定格部品の圧力定格を超えないようにしてください。圧力計をシステムに取り付けて、使用圧力をモニターしてください。システムの監視は、各自が行ってください。



注意: 油圧ホースを損傷させないでください。油圧ホースは、敷設時に折り曲げたりねじったりしないでください。折れ曲がったりねじれたホースを使用すると、大きな逆圧が発生します。ホースを折れ曲がったりねじれたままにしておくと、ホースの内部が損傷して、早期故障を引き起こします。



ホースの上に重いものを落とさないでください。強い衝撃によって、ホース内部のワイヤストランドが損傷する恐れがあります。損傷しているホースに圧力をかけると、破裂する恐れがあります。



重要: 油圧装置は、ホースやスイベルカブラを使って持ち上げないでください。安全に移動させるために、キャリングハンドルやその他の手段を用いてください。



注意: 油圧装置は、火気や熱源から離してください。過熱によって、パッキンやシールが柔らかくなり、液漏れが生じます。また、熱によって、ホース材やパッキンが劣化します。最適な性能を保つには、装置を65°C (150°F) 以上の温度にさらさないでください。ホースやシリンダに対する溶接スバッタは避けてください。



危険: 加圧されているホースには、触れないでください。加圧状態のオイルが漏れて皮膚に浸透すると、重大な人身事故の原因となります。オイルが皮膚下にしみ込んだ場合、すぐに医師の診断を受けてください。



警告: 油圧シリンダは、必ず連結システムで使用してください。カブラを接続していないシリンダは使用しないでください。シリンダは、極度な過荷重を受けると部品が破壊されて重大な人身事故の原因となります。



警告:荷揚げの前に、安定して設置されていることを確かめてください。シリンダは、荷物の重量に耐えることができる平面に配置してください。適用できる場合は、シリンダベースを使用してさらに安定性を確保してください。シリンダは、ベースやその他の支持物を取り付ける際に、溶接したり変形させないでください。



荷物が直接シリンダプランジャ上の中心置かれない状態は**避けてください**。偏心荷重は、シリンダとプランジャに相応なひずみを与えます。また、荷重が滑ったり落下して、危険な状況を引き起こす恐れがあります。



荷物はサドル全面に渡って均等に配置してください。プランジャを保護するため、必ずサドルを使用してください。



重要:資格を持った油圧技術者以外は、ポンプあるいはシステム構成品の点検修理を行わないでください。点検修理についてはお近くの正規エナパックサービスセンターにご連絡ください。保証を受けるためには、必ずエナパックオイルを使用してください。



警告:摩耗したり損傷した部品は、直ちにエナパックの純正部品と交換してください。市販の標準部品は、破損して人身事故や器物破損の原因となる場合があります。エナパック製の部品は、高荷重に適合および耐えるように設計製造されています。



警告:シリンダが不意に動かないように、バルブを中立の位置にしてからポンプを作動させてください。動いている部品や圧力のかかったホースに触れないようにしてください。

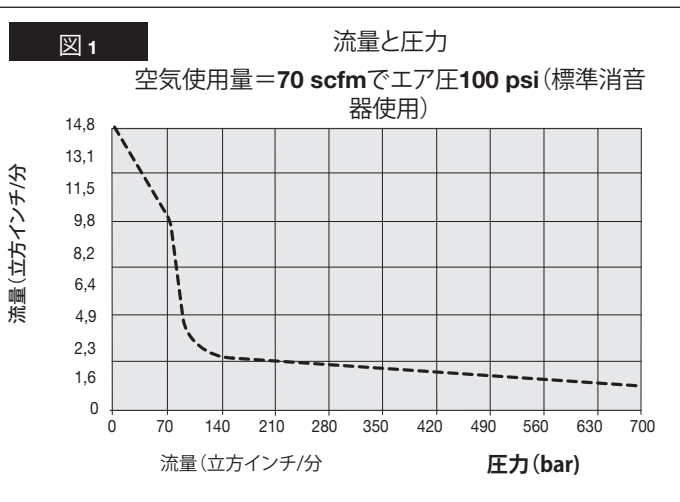


警告:これらのポンプには弊社工場で調整済みの安全弁がついています。この弁は、認定を受けたエナパックサービスセンター以外で修理または調整を行ってはいけません。

3.0 仕様

3.1 性能表 (下記の性能表を参照)

3.2 流量図



4.0 設置

モーターとポンプ周辺の空気の流れを妨げないようにポンプを設置します。運転中は最大限に冷却ができるようにモーターを清潔に保ちます。

4.1 タンクのブリーザキャップ (図2を参照)

輸送時には、タンク上面のブリーザポートに輸送用プラグ (A) が取り付けられます。使用前に、輸送用プラグをブリーザキャップ (B) に交換します。注意:ブリーザポート (B) は、オイル充填ポート (C) とは別になっています。オイル充填ポート (C) には、SAE #10プラグを使用します。

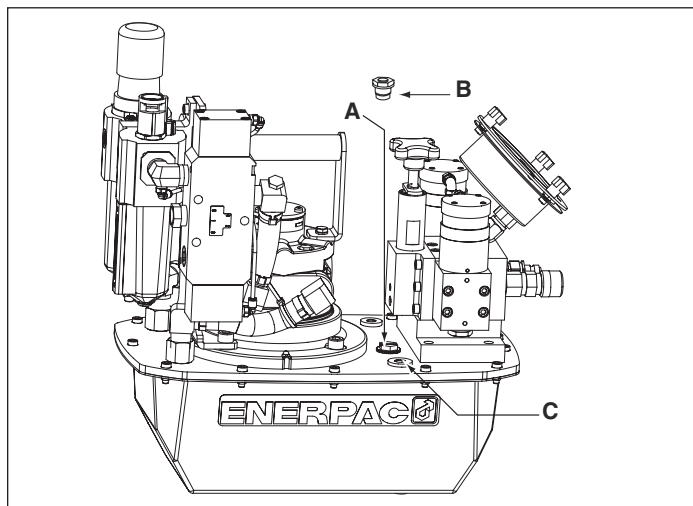


図2、ZA4Tブリーザの取り付け



▼ ZA4T性能表

モーターのサイズ (hp)	出力流量 (立方インチ/分)				エア圧範囲 (bar)	空気使用量 (scfm)	エア圧100 psi (6.9 bar) のときの音圧レベル (dBA)	安全弁の調整範囲 (bar)
	7 bar	50 bar	350 bar	700 bar				
4*	15,2	12,7	2,0	1,5	4-7	20-100	80-95	98~700 (Qタイプ) 98~812Eタイプ

*ポンプを固定された面にしっかりと取り付けるために必要な寸法については、図3を参照してください。

4.2 ポンプの設置

ポンプを固定された面にしっかりと取り付けるために必要な寸法については、図3を参照してください。

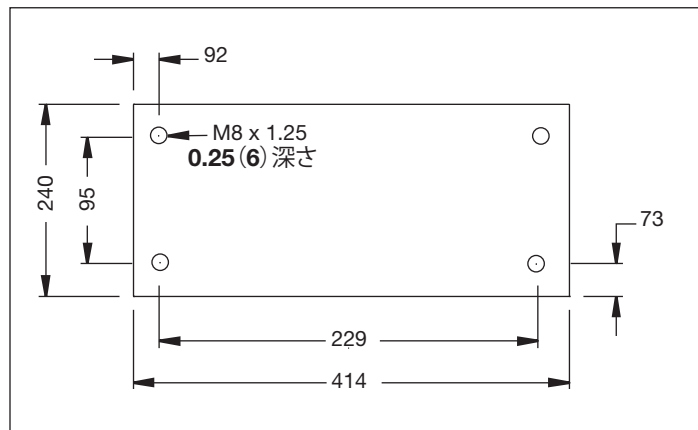


図 3

4.3 吸気用配管の接続

ポンプは、20~100 cfm (570~2,830 l/min) の流量に対して60~100 psi (4.1~6.9 bar) のエア圧を必要とします。供給する空気配管は、エアバルブの1/2" NPTねじの接続口に接続します。

4.4 液面

始動前にオイルレベルを確認し、必要であればカバープレートからSAE #10プラグを外してオイルを追加します(図2参照)。オイルレベルがガラスボルトの覗き穴の一番上に達したら一杯です。(図4)

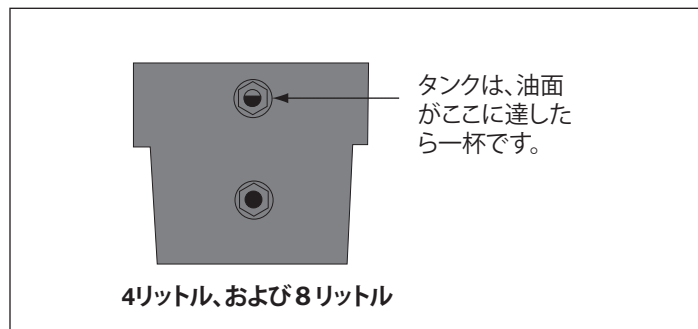


図 4

重要: すべてのシステム部品が収納されてからオイルを追加します。そうしないと、オイルタンクの容量以上のオイルがシステムに入ってしまう。

4.5 油圧接続

図5に示すようにホースを接続します。

1. (-E)型ポンプは、エナパックSODおよびHXDトルクレンチ用です。必ず「ENERPAC THC-700 SERIES - 800 Bar/11,600 psi max.」と表示されたホースを使用してください。これらのホースのカブラは、レンチを適切に作動できるように、工場で使用方向の設定がされています。(図5を参照)

- ホースとレンチのメスのカブラ。ねじ付きカブラロックリングを手で締めます。工具は必要ありません。
- (-E)型ポンプのメスカブラーは自動ロック式です。ロックリングが前にカチッとハマるまで、接続先のカブラーに押し込んでください。接続を外すには、カブラーのロックリングを反時計方向に回し、外す方向に押しします。

2. (-Q)型ポンプは、エナパックのSタイプ、Wタイプおよびその他のトルクレンチ用です。必ず「Enerpac THQ-700 series-700 bar/10,000 psi max.」と表示されたホースを使用してください。レンチを適切に作動させるため、カブラーは、図5に示すように方向を守らなければなりません。使用する前に、カブラーが完全に接続し、締まっていることを確認してください。カブラーの接続が不十分だと、レンチが正しく作動しません。

4.6 エアブリケーターへの注油

ルブリケーターのタンクに、圧縮空気機器用の軽量ミスとタイプのオイルを注入します。



注意: 潤滑油の液面レベルを維持することは、ポンプの寿命を保つために重要です。

4.7 エアブリケーターの調節

調節ノブ(C)は、工場で時計方向の行き止まりまで回転させてあり、この状態では、オイルはシステム内に供給されません。最初の調節を行うには、まず、エアの供給を開始して、システム内にエアを流します。ノブを回して、オイルの滴下量を調節します。ノブを反時計方向に回すと、滴下量が増えます。(図6を参照してください) 滴下量は、最初は1分に1~2滴とし、その後、システムが通常の作動温度に達したら、より細かい調節を行います。

潤滑できているかどうかは、機器の排気口の近くに鏡をかざして確かめます。鏡に厚いオイルの膜ができる場合は、潤滑量を減らします。

4.8 空気圧レギュレーターの調節

ノブをまっすぐ上に引いてロックを外します。出口側の圧力を上げるには調節ノブを時計方向に、下げるには反時計方向に回します。圧力を下げる場合、最初に目的の圧力よりも低い圧力まで下げ、それから目的の圧力まで上げます。(図6を参照)

5.0 運転

重要: 可能ならば、トルクレンチとポンプを1人のユーザーが操作してください。それにより、オペレーターがレンチの位置を合わせ

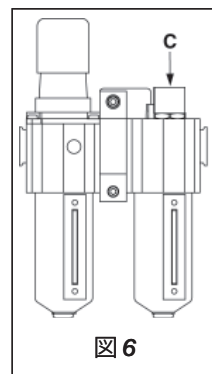


図 6

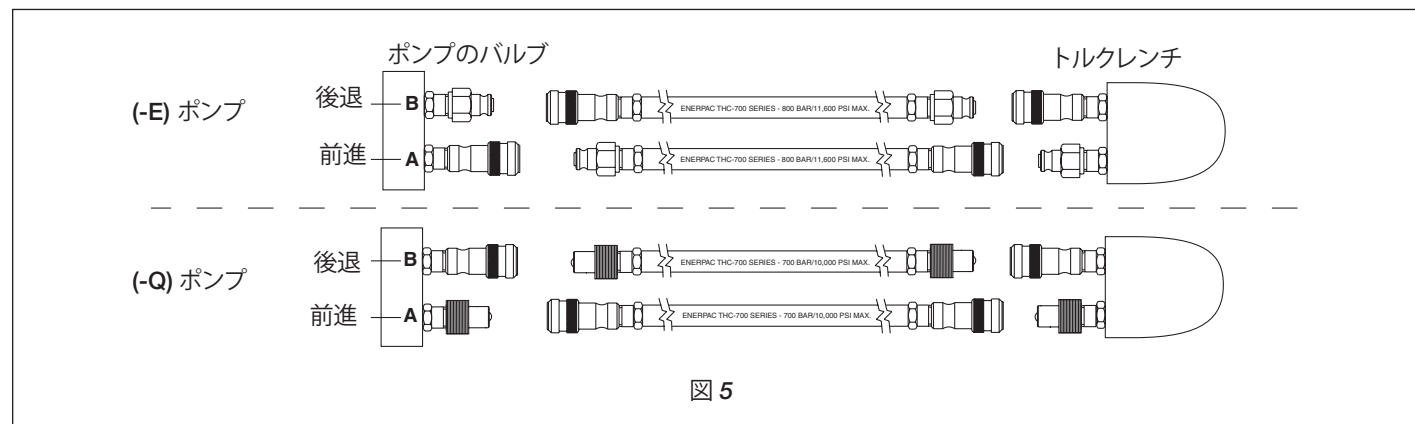


図 5

ているときに、誤ってポンプを作動させる事故を防止できます。

1. システム内のすべての継手と接続を点検して、確実に締め漏れがないことを確認します。
2. タンクのオイルレベルを確認して、必要ならオイルを追加します。(セクション4.4参照)
3. ポンプを始動するには、ペンダント(ハンドセット)上の緑色の「ON/ADV」ボタン(D)を押します。レンチは、ボタンを押している間、前進を続けます。
4. レンチを後退させるには、緑色のボタンから手を放します。モーターは、ONのままになります。
5. ペンダント上の赤い「OFF」ボタン(E)を押すと、ポンプモーターを停止できます。
6. レンチとホースの油圧をを解放するには、赤い「OFF」ボタンを押します。圧力ゲージの指示値が0になるまで、緑色の「ON/ADV」ボタンを押して放す操作を3回以上繰り返します。これでホースを外せます。

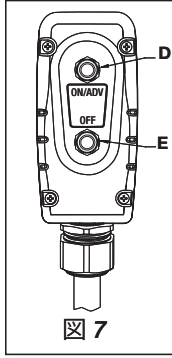


図 7

注意: エア供給源を停止して接続を外す前に、赤い「OFF」ボタンを押してモーターを停止し、動いていないことを確認してください。

5.1 エア抜き

レンチを初めてポンプに接続するときには、内部部品に空気が閉じこめられている可能性があります。円滑で安全に使用できるようにするため、レンチに負荷をかけずに数回作動させ、空気を抜きます。レンチの前進と後退がスムーズに行われるようになるまで、繰り返し作動させます。

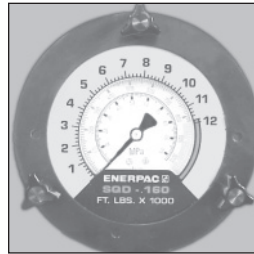


図 8

使用する前に、オイルの液面を点検してください。

5.2 ゲージとオーバーレイ作業手順

ポンプには、圧力計が装備されています。また、トルク値表示用のオーバーレイシートも同梱しています。トルクオーバーレイを圧力計の目盛面にかぶせるだけで、圧力読み取りとトルク読み取りを簡単に置き換えることができます(図8)。オーバーレイの片面はヤードポンド単位(Ft.-lbs)、残りの面はメートル単位(Nm)の表示になっています。オーバーレイカバーを裏返すだけで、目盛の単位を変えることができます。

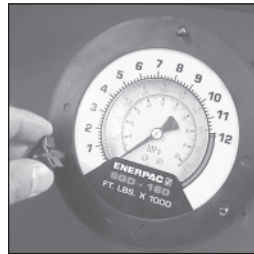


図 9

警告: 各オーバーレイは、エナパックの個別のトルクレンチ専用です。他のレンチには使用しないでください。

5.3 オーバーレイの交換

1. ゲージの正面フランジを所定の位置に保持している3つの黒いウイングノブを外します(図9)。
2. 正面フランジとオーバーレイを取り外します(図10参照)。
3. 新しいオーバーレイをフランジにかぶせます(ご使用のエナパック製トルクレンチに適したオーバーレイが必ず確認してください)。オーバーレイをフランジの裏にあるくぼみに合わせます(図11参照)。
4. オーバーレイとフランジを重ねるように持ちながら(図10参照)、フランジをノブのスタッドに入れます。必要であればオーバーレイの位置を調整して、ノブを指で締め付けます(図9参照)。

フランジがオーバーレイを上から押さえ、ゲージの定位置に固定します。トルク設定に必要な圧力値については、トルクレンチの説明書を参照してください。最大圧力値はレンチやアクセサリの種類によって異なりますので、ご注意ください。



図 10



注意: レンチの使用要領は、トルクレンチの説明書を参照してください。

5.4 圧力(トルク)設定



警告: この設定は、トルクレンチをナットやボルトの頭部に対して使用する前に行ってください。ポンプの圧力は、実際に必要な値以上のトルクが出る設定になっている場合があります。必要以上のトルクがかかると、装置が破損したり、深刻な負傷につながる恐れがあります。



図 11

Z-Classのポンプには、調整可能な安全弁が付属しています(図12を参照)。トルクレンチの前進方向の出力を制限するには、次の方法で調節します。

1. 逃し弁の固定ナットを緩めてハンドルを反時計方向に回転させ、軽く負荷を感じたら止めます。

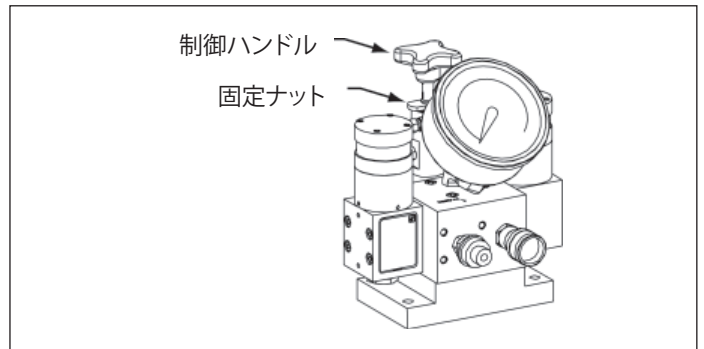


図12、逃がし弁

2. ポンプを始動してオイルを温めます。
3. 次にON/ADVボタンを押し続け、前進方向回路を加圧します。逃し弁の制御ハンドルを時計方向に回し、圧力を目的の値まで上げます。
注意: 正確に設定を行うには、圧力を目的の設定圧力より低くしてから、最終的な設定圧力までゆっくり上げます。
4. 圧力が目的の値に設定できたら、そのまま逃し弁の固定ナットを締め付けます。
5. ペンダントの「ON/ADV」ボタンを解除します。これにより、システムの圧力がBポートのバイパス設定に戻ります。モーターは、運転を続けます。
6. バルブを動かしてシステムに圧力をかけ、最終的な設定圧力を再確認します。

6.0 メンテナンス

漏れや損傷が発生していないか、システムの部品すべてを頻繁に検査します。損傷した部品は修理または交換します。

6.1 オイルレベルの確認

始動前にオイルレベルを確認し、必要であれば注入口のキャップを外してオイルを追加します。オイルタンクにオイルを追加する前に、油圧レンチが完全に後退していることを常に確認してください。図2を参照

6.2 オイルの交換とオイルタンクの洗浄

Enerpac HFオイルは、鮮やかな青色をしています。ポンプのオイルと新品のEnerpacオイルの状態を比較することにより、オイルの汚染状態を頻繁に確認します。一般的に、250時間毎、または汚れた環境で使用している場合はこれより短い期間で、オイルタンクからオイルを完全に抜いて洗浄します。

注意:この手順を行うには、ポンプをオイルタンクから取り外す必要があります。汚れていない作業台で洗浄を行い、使用済みのオイルは地域の規則に従って処分します。

1. オイルタンクのカバープレートを固定している13本のボルトを外して、ポンプユニットをオイルタンクから取り外します。フィルタスクリーンを損傷しないように注意します。
2. すべてのオイルをオイルタンクから抜き取ります。
3. オイルタンクとオイルタンクのマグネットを適切な洗浄剤で完全に洗浄します。
4. ピックアップフィルタスクリーンを取り外して洗浄します。(損傷を避けるために、スクリーンや吸入口の底を引っ張らないでください)スクリーンを溶剤と柔らかいブラシを使って洗浄します。元に戻します。
5. ポンプとオイルタンクをもう一度組み立て、新しいオイルタンクガasketを取り付けます。
6. オイルタンクに新しいEnerpac油圧油を注入します。タンクは、オイルレベルが覗き穴の中央に達したら一杯です(図4参照)

6.3 消音器の清掃

ポンプを長時間使用していると、消音器エレメントに着氷する場合があります。除去する必要があります。消音器を清掃するには、ねじを緩めて外し、汚れを除去します。

6.4 エアフィルタールブリケーターの清掃

エアフィルタールブリケーターは、損傷していないか頻繁に点検してください。ボウルが損傷したら、交換します。

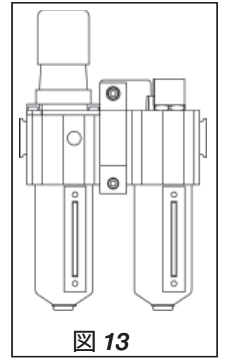
フィルターボウルは、フィルター効率を維持するために、清潔に保つ必要があります。ユニットには自動ドレン機能が搭載されていて、約0.21バール(3 psig)で開き約0.34バール(5 psig)で閉じるようになっています。

フィルターエレメントに目に見える汚れや結露がある場合や、圧力が著しく低下した場合には、清掃が必要です。ボウルを取り外して清掃する前に、ユニットを除圧します。潤滑油排出(H)は、システムが加圧されているときには作動させないでください。オイルが飛び出ます。

注意:フィルターボウルは、家庭用石けんでしか洗ってはいけません。

7.0 トラブルシューティング(トラブルシューティングガイドを参照)

資格を持った油圧技術者だけが、ポンプまたはシステム部品の整備を行ってください。システムの障害は、ポンプの不調が原因の場合とそれ以外の原因による場合があります。問題の原因を特定するには、あらゆる点検手順でシステム全体を点検する必要があります。点検修理については、お近くの正規Enerpacサービスセンターにご連絡ください。



トラブルシューティングガイド		
問題	考えられる原因	処置
ポンプが始動しない	空気の供給が遮断されているか配管が詰まっている	詳細はセクション5.0「運転」を参照してください
負荷がかかるとモーターが停止する	エア圧が低い 消音器が詰まっている、空気が汚れている	セクション6.2Bおよび6.3Aを参照 負荷を減らすかシリンダの容量を増加させる 油圧カプラーが完全に接続されているか確認する
ポンプで加圧できない。または最高圧力に達しない	オイルのレベルが低い 逃し弁の設定が低過ぎる 外部システムで漏れが発生している ポンプ内部で漏れが発生している バルブ内部で漏れが発生している システム部品内で漏れが発生している	セクション4.4を参照してオイルを補充する セクション5.4を参照して調節する 点検して、修理または交換を行う 正規サービスセンターに問い合わせる 正規サービスセンターに問い合わせる 正規サービスセンターに問い合わせる
レンチが後退しない。	バルブの動作不良が発生している リターンの流れが妨げられているか、遮断されている	正規サービスセンターに問い合わせる カプラーが完全に接続されているか確認する
オイル流量が少ない	空気の供給量が不足している エアフィルターが汚れている 入口フィルターが詰まっている	セクション 4.3 セクション 6.4 セクション 6.4

ENERPAC Middle East FZE
Office 423, JAFZA 15
P.O. Box 18004
Jebel Ali, Dubai
United Arab Emirates
Tel: +971 (0)4 8872686
Fax: +971 (0)4 8872687

Australia, New Zealand
Actuant Australia Ltd.
Block V Unit 3
Regents Park Estate
391 Park Road
Regents Park NSW 2143
P.O. Box 261 Australia
Tel: +61 297 438 988
Fax: +61 297 438 648

Brazil
Power Packer do Brasil Ltda.
Rua dos Inocentes, 587
J4764-050 - Sao Paulo (SP)
Tel: +55 11 5687 2211
Fax: +55 11 5686 5583
Toll Free in Brazil:
Tel: 0800 891 5770
vendabrasil@enerpac.com

Canada
Actuant Canada Corporation
3615 Ordan Drive, Unit 14-15
Mississauga, Ontario L5T 1X2
Tel: +1 905 564 5749
Fax: +1 905 564 0305
Toll Free:
Tel: +1 800 268 4987
Fax: +1 800 461 2456
Technical Inquiries:
techservices@enerpac.com

Actuant China Ltd.
1F, 269 Fute N. Road
Waigaoqiao Free Trade Zone
Pudong New District
Shanghai, 200 131 China
Tel: +86 21 5866 9099
Fax: +86 21 5866 7156

Actuant China Ltd. (Beijing)
709B Diyang Building
Xin No. 2
Dong San Huan North Rd.
Beijing City
100028 China
Tel: +86 10 845 36166
Fax: +86 10 845 36220

**Central and Eastern Europe,
Greece**
ENERPAC GmbH
P.O. Box 300113
D-40401 Düsseldorf
Willstätterstrasse13
D-40549 Düsseldorf
Germany
Tel: +49 211 471 490
Fax: +49 211 471 49 28

France, Switzerland francophone
ENERPAC , Une division de ACTUANT
France S.A.
ZA de Courtaboeuf
32, avenue de la Baltique
91140 VILLEBON /YVETTE
France
Tel: +33 1 60 13 68 68
Fax: +33 1 69 20 37 50

and Switzerland
ENERPAC GmbH
P.O. Box 300113
D-40401 Düsseldorf
Willstätterstrasse13
D-40549 Düsseldorf
Germany
Tel: +49 211 471 490
Fax: +49 211 471 49 28

India
ENERPAC Hydraulics
(India) Pvt. Ltd.
Office No. 9,10 & 11,
Plot No. 56, Monarch Plaza,
Sector 11, C.B.D. Belapur
Navi Mumbai 400614, India
Tel: +91 22 2756 6090
Tel: +91 22 2756 6091
Fax: +91 22 2756 6095

Italy
ENERPAC S.p.A.
Via Canova 4
20094 Corsico (Milano)
Tel: +39 02 4861 111
Fax: +39 02 4860 1288

Japan
Applied Power Japan Ltd.
Besshochou 85-7
Saitama-shi, Kita-ku,
Saitama 331-0821
Japan
Tel: +81 48 662 4911
Fax: +81 48 662 4955

Caspian Sea
ENERPAC Middle East FZE
Office 423, JAFZA 15
P.O. Box 18004
Jebel Ali, Dubai
United Arab Emirates
Tel: +971 (0)4 8872686
Fax: +971 (0)4 8872687

**Russia and CIS
(excl. Caspian Sea Countries)**
Actuant LLC
Admiral Makarov Street 8
125212 Moscow, Russia
Tel: +7-495-9809091
Fax: +7-495-9809092

Singapore
Actuant Asia Pte. Ltd.
25 Serangoon North Ave. 5
#03-01 Keppel Digihub
Singapore 554914
Thomson Road
P.O. Box 114
Singapore 915704
Tel: +65 64 84 5108
+65 64 84 3737
Fax: +65 64 84 5669
Toll Free: +1800 363 7722
Technical Inquiries:
techsupport@enerpac.com.sg

South Korea
Actuant Korea Ltd.
3Ba 717,
Shihwa Industrial Complex
Jungwang-Dong, Shihung-Shi,
Kyunggi-Do
Republic of Korea 429-450
Tel: +82 31 434 4506
Fax: +82 31 434 4507

ENERPAC
C/San José Artesano 8
Pol. Ind.
28108 Alcobendas
(Madrid) Spain
Tel: +34 91 661 11 25
Fax: +34 91 661 47 89

**The Netherlands, Belgium,
Luxembourg, Sweden,
Denmark, Norway, Finland
and Baltic States**
ENERPAC B.V.
Galvanistraat 115
P.O. Box 8097, 6710 AB Ede
The Netherlands
Tel: +31 318 535 911
Fax: +31 318 525 613
+31 318 535 848

Technical Inquiries Europe:
techsupport.europe@enerpac.com

United Kingdom, Ireland
Enerpac Ltd
Bentley Road South
Darlaston, West Midlands
WS10 8LQ, United Kingdom
Tel: +44 (0)121 50 50 787
Fax: +44 (0)121 50 50 799

**USA, Latin America
and Caribbean**
ENERPAC
P.O. Box 3241
6100 N. Baker Road
Milwaukee, WI 53209 USA
Tel: +1 262 781 6600
Fax: +1 262 783 9562

User inquiries:
+1 800 433 2766

Inquiries/orders:
+1 800 558 0530

Technical Inquiries:
techservices@enerpac.com

**All Enerpac products are guaranteed against defects in workmanship
and materials for as long as you own them. For your nearest
authorized Enerpac Service Center, visit us at www.enerpac.com**