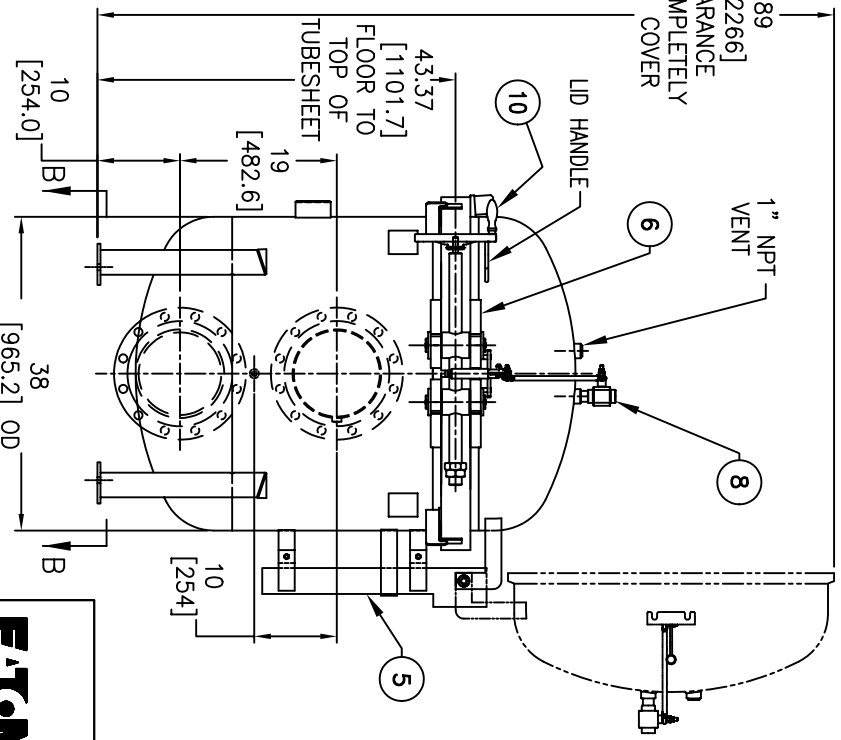
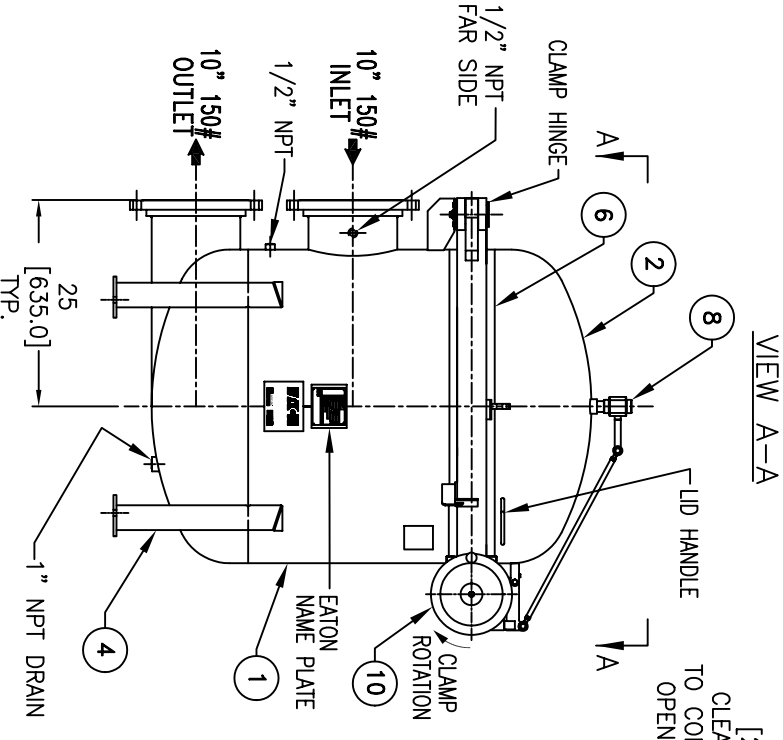
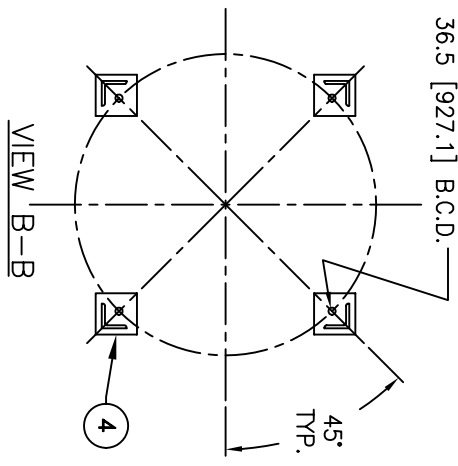


(4) .875 [22.2] Ø BOLT HOLES
LOCATED ON 36.5 [927.1] B.C.D.



ITEM	PART NAME	MATERIAL
1	BODY	SA240-304/304L
2	COVER	SA240-304/304L
3	O-RING	BUNA-N
4	LEGS	STAINLESS STEEL
5	SPRING ASSISTED MECHANISM	STAINLESS STEEL
6	CLAMP ASSEMBLY	STAINLESS STEEL
7	FILTER BAG HOLD DOWN	304 SS
8	1" VENT VALVE ASSY.	304 SS
9	SPINDLE BOLT	SA193-B7 NEDOX COATED
10	SPINDLE HANDLE	ALUMINIUM

NOTES:

1. UNITS ARE DESIGNED, FABRICATED & U STAMPED IN ACCORDANCE WITH ASME SECT. VIII, DIV. 1 BOILER & PRESSURE VESSEL CODE, IN COMPLIANCE TO LATEST ADDENDA.
2. INLET/OUTLET FLANGE CONNECTIONS PER ANSI B16.5 (10.3 BAR @ 250F)
3. DESIGN PRESSURE: 150 PSIG @ 250F
4. ALL DIMENSIONS ARE IN INCHES / [mm]
5. ALL BOLT HOLES STRADDLE NATURAL CENTERLINE.
6. APPROX. WEIGHT (DRY): 1050 lbs. (476 kgs.)
7. APPROX. SHIPPING WEIGHT 1190 lbs. (539 kgs.)

CERTIFIED FOR:

P.O. NO.:
REG. NO.:
QUOTE NO.:
TAG NO.:
VESSEL CODE: V-MBF-1002-BB10-100A-UT-11SE-100P
PART NUMBER: F3AV1000200L304



EATON FILTRATION, LLC
900 FAIRMOUNT AVENUE, ELIZABETH, NEW JERSEY 07207

NAME: 10" MBF-1002 FILTER VESSEL
10"-150# INLET/TANGENTIAL OUTLET
SPINDLE TYPE-SE (SS-304)

DATE	CERT.	VA	DATE
06/20/06			06/20/06

ELECTRONIC FILE NAME: SE1010TSL304.DWG
REF. ECR E023
DATE 06/20/06

UNAUTHORIZED USE, MANUFACTURE OR REPRODUCTION IN WHOLE OR IN PART IS PROHIBITED. DRAWING, DESIGN AND OTHER DISCLOSURES PROPERTY OF EATON FILTRATION, LLC

DATE	CERT.	VA	DATE
06/20/06			06/20/06

SE1010TSL304

REV A