



Model: V100EIS

A line of pneumatic valve positioners incorporating over sixty years of design, manufacturing and marketing expertise, creating one of the most durable, reliable instruments on the market.

This positioner can be ordered with either European or US certification on the I/P converter thus allowing it to be used in hazardous locations. Certificates from CSA, FM and ATEX are available.

Accessories in the way of gauges, feedback modules or a raised indicator can be added in a matter of minutes.

Maximum modularity equals maximum flexibility and with a simple design and quality components, the performance is a maximum as well.

Input Signal

4-20 mA (Ri<250 ohms)

Supply Pressure

0.15 - 1MPa (21.8 - 145 PSI)

Linearity Error

<1.0% FS

Hysteresis

<0.6% FS

Repeatability

<0.5% FS

Pressure Gain

@ 600KPa (87PSI) according to ISA S75.13

750 Pout/Pin 49% Pout/Pin

Air Capacity

@ 200KPa (29PSI) 270SLM 9.5SCFM

@ 600KPa (87PSI) 800SLM 28.3SCFM

@ 1MPa (145PSI) 1350SLM 47.1SCFM

Bleed Rate

@ 200KPa (29PSI) 5.7SLM 0.2SCFM

@ 600KPa (87PSI) 17SLM 0.6SCFM

@ 1MPa (145PSI) 28.3SLM 1.0SCFM

Temperature Range

Depending on electrical rating

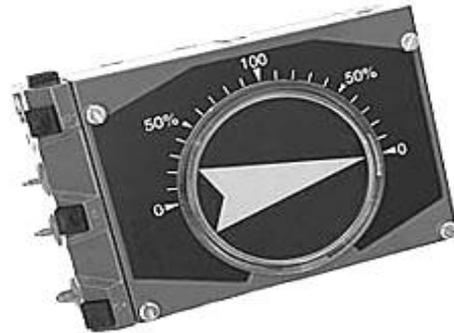
-40 to +85 Celsius (-40 to +185 Fahrenheit)

Benefits

Simple calibration. With the non-interactive zero and span adjustment and the external zero adjustment, calibration is simple and time saving.

Flexibility. One housing for pneumatic or electro-pneumatic. The I/P can be installed or removed at any time. Multiple mounting capability. Standard indicator allows for air to open or air to close operation. Flat or raised indicator available. F05 standard housing with changeable drives.

INTRINSICALLY SAFE POSITIONER



Thread sizes

Air connections	1/4" G
	Optional 1/4" NPT
Electrical entry	M20
	Optional 1/2" NPT or PG13.5
Gauge ports	1/8" G
	Optional 1/8" NPT

Ingress Protection

IP66 (NEMA 4X)

Surface Finish

Powder Polyester

Weight

1.7Kg (3.8lbs)

Options

Various Spindles for different actuators

Various cams

Gauges

Indicators

Pilot Valves

Certification

FM

CL I-II-III / DIV I / Grp A B C D E F G

CSA

CL 1 DIV 1 Grp ABCD; CL 11 DIV 1 Grp EFG; CL 111

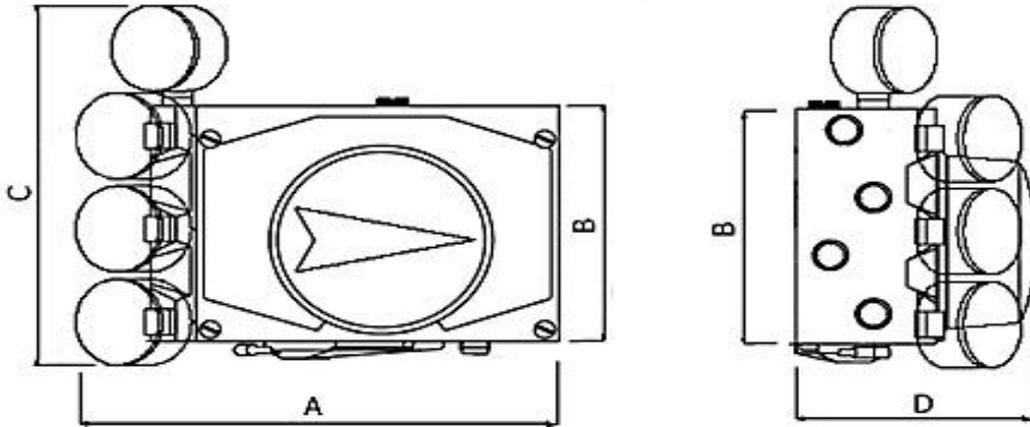
CL 1 DIV 2 Grp ABCD; CLI 1 DIV 2 Grp EFG

ATEX

II 1G Ex ia IIC T4-6

Benefits

Maintenance friendly. The pilot valve assembly can be cleaned by removing one screw and can only be installed one way - the correct way. The gauge block is standard. I/P test point positioner loop testing. Durable. Cast aluminium, polyester coated housing. Stainless steel retained fasteners. Double locked stainless steel cam. Quality internal parts. Unique electrical compartment fitted with an o-ring is pressure sealed by the cover.



Positioner shown with Pressure Gauges.

Model No	A	B	C	D	Weight
V100EIS	191mm	110mm	168mm	90mm	1.7 Kg

Ordering Specification

Threads

1/4G / M20
 NPT / NPT
 (Others available)

GM
NN

Drive

Rotary Namur
 Long Linear
 Short Linear

D1
D2
D8

Front Cover

90 Degree
 60 Degree
 45 Degree
 30 Degree
 Blank

90
60
45
30
0

Indicator

Flat Arrow
 Raised

A
B

Cam

Linear 90/180 Degree
 Linear 30/60 Degree
 (Others available)

C1
C3

Code	V100EIS				
------	---------	--	--	--	--

Example Order	V100EIS	GM	D1	90	A	C1
---------------	---------	----	----	----	---	----

VAC Positioner with Thread 1/4G, Rotary Namur Drive, 90 Degree Front Cover
 Flat Arrow Indicator with a Linear 90 / 180 Degree Cam