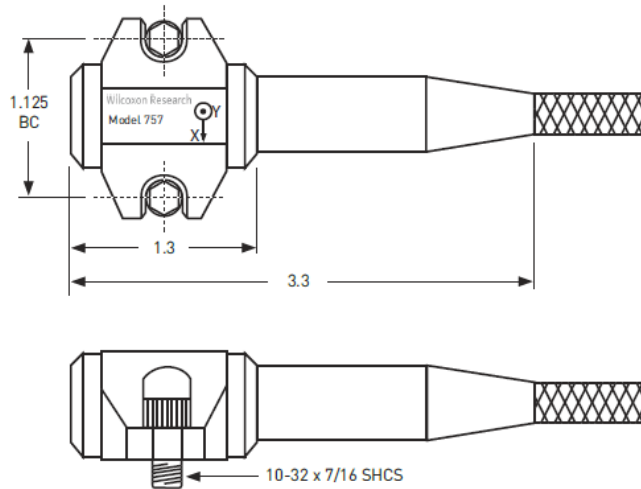


# Biaxial, low profile, underwater accelerometer 757

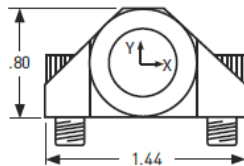


## Key features

- Rugged
- General purpose underwater accelerometer
- Industrial
- Easy to mount
- Bi-axial measurements



Connections	
Function	Connector
x	white
y	black
common	shield



Note: Due to continuous process improvement, specifications are subject to change without notice.  
This document is cleared for public release.

Wilcoxon Sensing Technologies  
20511 Seneca Meadows Parkway  
Germantown, MD 20876  
info@wilcoxon.com

Tel: (301) 330 8811  
Fax: (301) 330 8873  
www.wilcoxon.com

Wilcoxon Sensing Technologies  
An Amphenol Company

# Biaxial, low profile, underwater accelerometer

## 757

### SPECIFICATIONS

<b>Sensitivity, ±10%, 25° C</b>	100 mV/g
<b>Acceleration range</b>	50 g peak
<b>Amplitude nonlinearity</b>	1%
<b>Frequency response:</b> Both channels, ± 10%	2 - 2,000 Hz
<b>Transverse sensitivity, max</b>	5% of axial
<b>Temperature response:</b> -20° C +90° C	-5% +5%
<b>Power requirement:</b> Voltage source Current regulating diode	18 - 30 VDC 2 - 10 mA
<b>Electrical noise, equiv. g, nominal:</b> Broadband 2.5 Hz to 25 kHz Spectral 10 Hz 100 Hz 1,000 Hz	100 µg 10 µg/√Hz 1 µg/√Hz 0.5 µg/√Hz
<b>Output impedance, max</b>	100 Ω
<b>Bias output voltage, nominal</b>	12 VDC
<b>Grounding</b>	case isolated, internally shielded
<b>Temperature range</b>	-50 to +80° C
<b>Hydrostatic pressure, max</b>	650 psi
<b>Vibration limit</b>	500 g peak
<b>Shock limit</b>	5,000 g peak
<b>Electromagnetic sensitivity, equiv. g</b>	100 µg/gauss
<b>Base strain sensitivity</b>	0.002 g/µstrain
<b>Weight</b>	110 grams
<b>Case material</b>	316L stainless steel
<b>Mounting</b>	two 10-32 x 7/16 SHCS on 1.125 bolt circle
<b>Recommended cabling</b>	J81S, 10 ft., stainless steel braid

### Contact

Wilcoxon Sensing Technologies

20511 Seneca Meadows Parkway  
Germantown MD 20876, USA

Tel: +1 301 330 8811  
Fax: +1 301 330 8873

info@wilcoxon.com

www.wilcoxon.com

### Accessories supplied:

- Calibration data
- Two 10-32 x 7/16 SHCS

### Accessories available:

power supplies, amplifiers, signal conditioners

Note: Due to continuous process improvement, specifications are subject to change without notice.  
This document is cleared for public release.

Wilcoxon Sensing Technologies  
20511 Seneca Meadows Parkway  
Germantown, MD 20876  
info@wilcoxon.com

Tel: (301) 330 8811  
Fax: (301) 330 8873  
www.wilcoxon.com

Wilcoxon Sensing Technologies  
An Amphenol Company