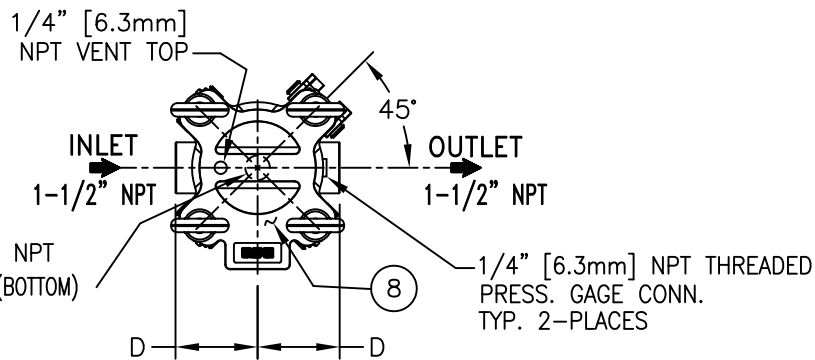
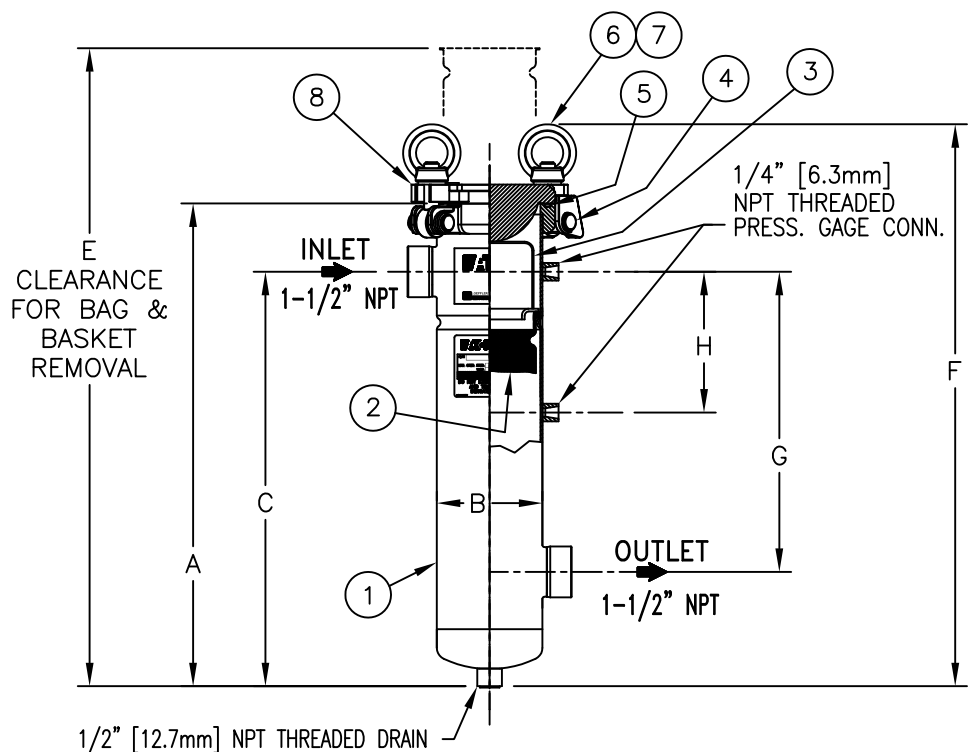


ITEM NUMBER	BAG SIZE	PIPE SIZE (NOM.)	A IN. / MM	B IN. / MM	C IN. / MM	D IN. / MM	E IN. / MM	F IN. / MM	G IN. / MM	H IN. / MM	WEIGHT LBS / KGS
F3AVSB1027	04	1-1/2" / [38.1]	20-5/8 / 523.8	4-1/2 / 114.3	17-11/16 / 449.2	3-1/2 / 88.9	34-1/2 / 876.3	24 / 609.6	12-13/16 / 325.4	6 / 152.4	26 / 11.8



REVISIONS				
REV	DESCRIPTION	BY	ECO	DATE
B	REVISED BORDER	FJM	0073817	07/19/12



NO.	PART NAME	MATERIAL
1	BODY	316 STAINLESS STEEL
2	RESTRAINER BASKET P/N L0001224 04 SIZE	316 STAINLESS STEEL
3	BAG HOLD DOWN	316 STAINLESS STEEL
4	PIN	STAINLESS STEEL
5	O-RING P/N 811351	BUNA-N
6	EYE BOLT	STEEL, ZINC PLATED
7	EYE NUT	STEEL, ZINC PLATED
8	COVER	316 STAINLESS STEEL

**NOTES:**

1. INLET/OUTLET "NPT" THREADED CONNECTIONS PER ANSI B1.20.1.
2. MAWP: 300 PSI @ 225 °F  
(20.6 BAR @ 107.2 °C)
3. DIMENSIONS SHOWN IN [ ] ARE IN MILLIMETERS AND FOR REFERENCE ONLY. ACCEPTANCE OF THIS PART WILL BE BASED ON "INCH" UNITS & TOLERANCES ONLY.

TOLERANCES (UNLESS OTHERWISE SPECIFIED)	
DECIMAL:	.X ± .030 .XX ± .010 .XXX ± .005
FRACTIONAL:	± 1/16
NOZZLE Ø TO FLOOR:	1/8" < 4' > ± 1/4"
FACE TO FACE:	1/8" < 4' > ± 1/4"
ANGULAR:	± 1°
FLANGES (H/V):	± 1/2°
VESSEL OVERALL HT:	1"

REVIEWED FOR CLASSIFICATION PER PR-4  
 CRITICAL SIGNIFICANT

CUSTOMER INFO	
NAME	
P.O. NO.	
S.O. NO.	
QUANTITY	
PART NO.	F3AVSB1027

PART NUMBER: F3AVSB1027 VESSEL CODE: SBF-0104-AB21-015N-NI-B-PNS	
DRAWN BY FJM	EATON FILTRATION, LLC DESIGN CENTER ISELIN, NEW JERSEY, USA • PORTAGE, MICHIGAN, USA
SCALE AS DRAWN	
RESTRICTION RESTRICTED	TITLE MINI SIDELINE (SBF-0104) FILTER VESSEL 1-1/2" NPT THREADED CONN. STAINLESS STEEL
SHEET 1 OF 1	
PROJECTION THIRD ANGLE	DATE 07/11/02
	SIZE A
	DWG FILENAME SDI-07550
	REV B

EATON CORPORATION - CONFIDENTIAL AND PROPRIETARY NOTICE TO PERSONS RECEIVING THIS DRAWING AND/OR TECHNICAL INFORMATION  
 THIS DOCUMENT, INCLUDING THE DRAWING AND INFORMATION CONTAINED THEREON IS CONFIDENTIAL AND IS THE EXCLUSIVE PROPERTY OF EATON AT ANY TIME. BY TAKING THE POSSESSION OF THIS DOCUMENT THE RECIPIENT ACKNOWLEDGES AND AGREES THAT THIS DOCUMENT CANNOT BE USED IN ANY MANNER ADVERSE TO THE INTEREST OF EATON AND THAT NO PORTION OF THIS DRAWING MAY BE COPIED OR OTHERWISE REPRODUCED WITHOUT THE PRIOR WRITTEN CONSENT OF EATON, IN THE CASE OF CONFLICTION CONTRACTUAL PROVISIONS, THIS NOTICE SHALL GOVERN THE STATUS OF THIS DOCUMENT.  
 2012 EATON CORPORATION - ALL RIGHTS RESERVED.