

Electronic Thermostat - Wall Mounted / Pipe Mounted

Series TEF 1058

TRANBERG®

STAHL

www.stahl.de



14038E00

- > High degree of protection
IP66/67 is standard,
IP68 can be delivered
upon request
- > Drainage flange in box prevents
penetration of water
- > Manufactured in acid proof
stainless steel (AISI 316L)
- > Tailor made size and
performance is possible
- > Stainless steel type label spot
welded to the cover
- > Several earthing alternatives
- > Maximum strength and
corrosion resistance
- > Low lifetime maintenance cost



E6

The TEF 1058 are used for a wide range of installations, normal solutions are: Electro, instrument, telecom market, ESD's, control stations i. e.

	ATEX					
Zone	0	1	2	20	21	22
For use in		x	x			

Explosion Protection

Marking

Europe (ATEX) | II 2 GD EEx em [ib] IIC T6

Certificates

Europe (ATEX) | NEMKO 01ATEX097



WebCode T1058A

Electronic Thermostat - Wall Mounted / Pipe Mounted

Series TEF 1058



Selection Table

Version	Picture	Measuring range	Order number
Pipe mounted		0 ... 100 °C	TEF10583571
		50 ... 350 °C	TEF10583573
Wall mounted		0 ... 100 °C	TEF10583591
		50 ... 350 °C	TEF10583593

Technical Data

Version	Pipe mounted	Wall mounted
Electrical data		
Rated operating voltage	250 V AC	250 V AC
Switching capacity	16 A / 250 V AC	16 A / 250 V AC
Contact arrangement	1 NO contact	1 NO contact
Mechanical data		
Enclosure material	AISI 316L / EN1.4404, electro polished	AISI 316L / EN1.4404, electro polished
Degree of protection	IP66 / IP67	IP66 / IP67
Weight	4.7 kg	4.7 kg
Equipped with	8 pc. M25 Stopping plugs in box 2 pc. M25 Stopping plugs in transition unit 1 pc. M25 Cable gland Type: E204/3B/M25 1 pc. M25 Drain plug 4 pc. Earth terminals PHOENIX USLKG6N 2 pc. Terminals PHOENIX UK5N 5 pc. Terminals PHOENIX UK5N TWIN 3 pc. Terminals PHOENIX UK3N 2 pc. Terminals PHOENIX UK3N blue 1 pc. Label kit	8 pc. M25 Stopping plugs in box 1 pc. M25 Cable gland Type: E204/3B/M25 1 pc. M25 Drain plug 4 pc. Earth terminals PHOENIX USLKG6N 2 pc. Terminals PHOENIX UK5N 5 pc. Terminals PHOENIX UK5N TWIN 3 pc. Terminals PHOENIX UK3N 2 pc. Terminals PHOENIX UK3N blue 1 pc. Label kit

Accessories and Spare Parts

Designation	Designation	Description	Order number
Pipe mounted electronic thermostat	Connection kit	for Thermon cables KSX and HTSX, gasket 5 x 11	TEF9177223
		for Thermon cables BSX and VSX, gasket 5 x 13	TEF9177217
		for Thermon cables TSX and RSX, gasket 5 x 15	TEF9177218
	Cable gland for power cable	E204 / 3B / M25 - 9 mm; \varnothing 13 ... 17.1 mm; with lock nut	TEF9147118
E204 / 3A / M25 - 9 mm; \varnothing 14.1 ... 20.1 mm; with lock nut		TEF9147119	
Wall mounted electronic thermostat	Connection kit	for Thermon cables KSX and HTSX, gasket 5 x 11	TEF9177224
		for Thermon cables BSX and VSX, gasket 5 x 13	TEF9177203
		for Thermon cables TSX and RSX, gasket 5 x 15	TEF9177204
	Flexible conduit	SS316; inner diam. 18.8.mm, outer diam. 22.3 mm; length: 2 m	TEF7000080
		SS316; inner diam. 18.8.mm, outer diam. 22.3 mm; length: 25 m	TEF7000081
	Adapter	for flexible conduit	TEF50791115
Cable gland for power cable	E204 / 3B / M25 - 9 mm; \varnothing 13 ... 17.1 mm; with lock nut	TEF9147118	
	E204 / 3A / M25 - 9 mm; \varnothing 14.1 ... 20.1 mm; with lock nut	TEF9147119	

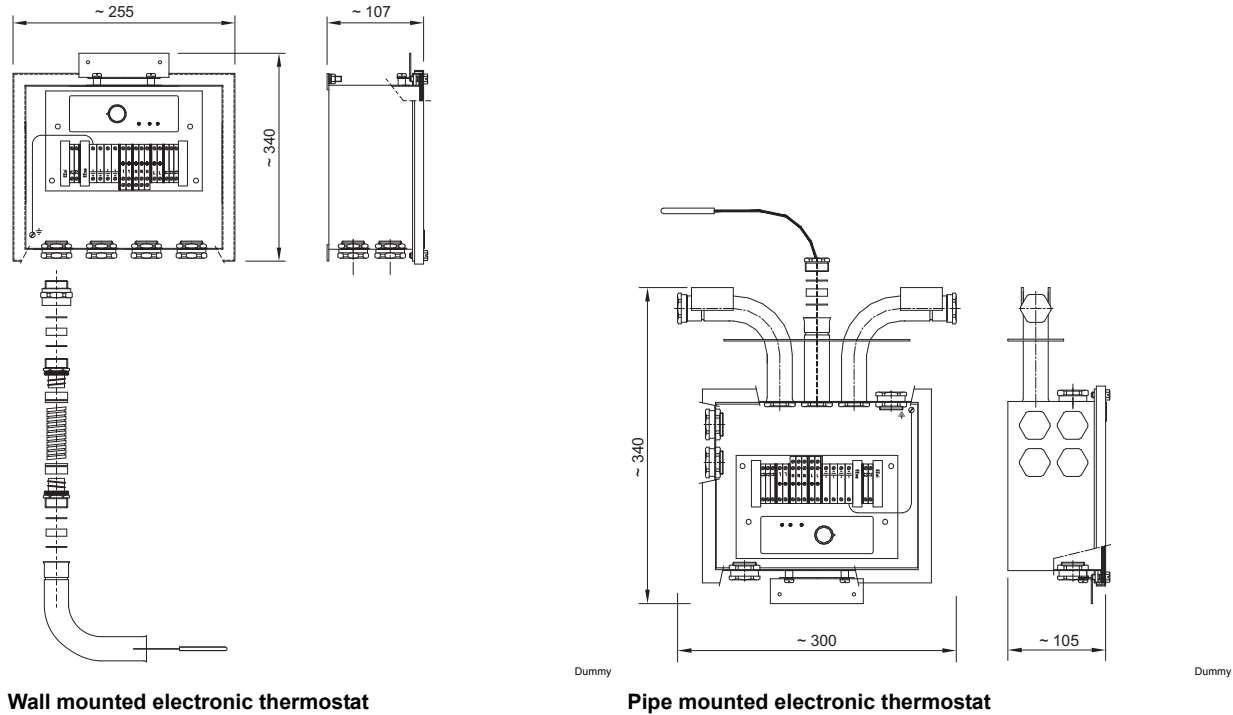
Electronic Thermostat - Wall Mounted / Pipe Mounted

Series TEF 1058

TRANBERG®

STAHL

Dimensional Drawings (All Dimensions in mm) - Subject to Alterations



Wall mounted electronic thermostat

Pipe mounted electronic thermostat

We reserve the right to make alterations to the technical data, dimensions, weights, designs and products available without notice. The illustrations cannot be considered binding.

E6