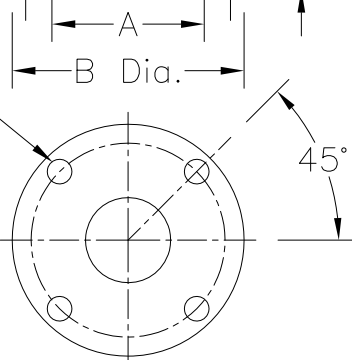


E CLEARANCE FOR BASKET REMOVAL

NO.	PART NAME	MATERIAL
1	VENT PLUG	PVDF
2	COVER	PVDF
3	BODY	PVDF
4	BASKET	PVDF
5	O-RING	VITON
6	BAG RETAINER	PVDF
7	O-RING	VITON

- NOTES:
- PRESSURE RATING: 100 PSI @ 70° F (NON SHOCK) (6.9 BAR @ 21° C)
 - BAG SIZE:
 BAG #2-DOUBLE LENGTH
 7" X 32" (4.1 SQ.FT.)
 178 MM X 813 MM (3809 SQ.CM.)

(4) 0.88 DIA. (22 MM)
 ON 7.50" (191 MM)
 DIA. BOLT CIRCLE



CERTIFIED FOR:
 P.O. NO.:
 REG. NO.:
 QUOTE NO.:
 TAG NO.:

PART NO.	A		B		C		D		E		F		G		H		J		WT. (DRY)	
	IN.	MM.	IN.	MM.	IN.	MM.	IN.	MM.	IN.	MM.	IN.	MM.	IN.	MM.	IN.	MM.	IN.	MM.	LBS.	KG.
FLT5202F	6.50	165	10	254	3.25	83	46.50	1181	36	914	18.00	457	9.88	251	39.50	1003	7.00	178	105	47.6

		EATON FILTRATION, LLC 44 APPLE STREET, TINTON FALLS, NEW JERSEY 07724					
		NAME POLYLINE BAG FILTER 2" FLANGE CONNECTION PVDF					
DRAWN	FM	DATE	12/14/01	CERT.	LF	DATE	12/14/01
SIZE	DWG	SD021207				REV	C
A	NO						

UNAUTHORIZED USE, MANUFACTURE OR REPRODUCTION IN WHOLE OR IN PART IS PROHIBITED. DRAWING, DESIGN AND OTHER DISCLOSURES PROPERTY OF EATON FILTRATION, LLC

ELECTRONIC FILE NAME: SD021207.DWG
 REF. ECR 0084609 DATE 4/26/13