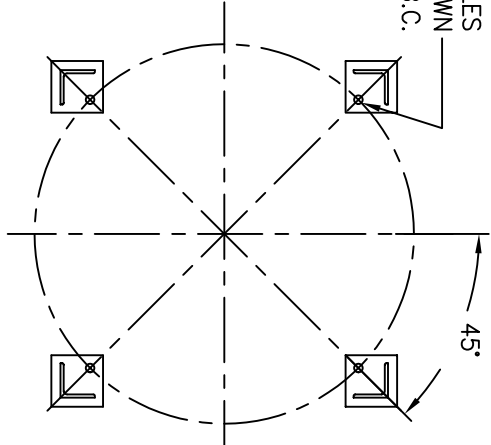


OUTLET  
 (4) 1"  $\phi$  [22 $\phi$ ] BOLT HOLES  
 LOCATED AS SHOWN  
 ON 44.13 $\phi$  [1121 $\phi$ ] B.C.

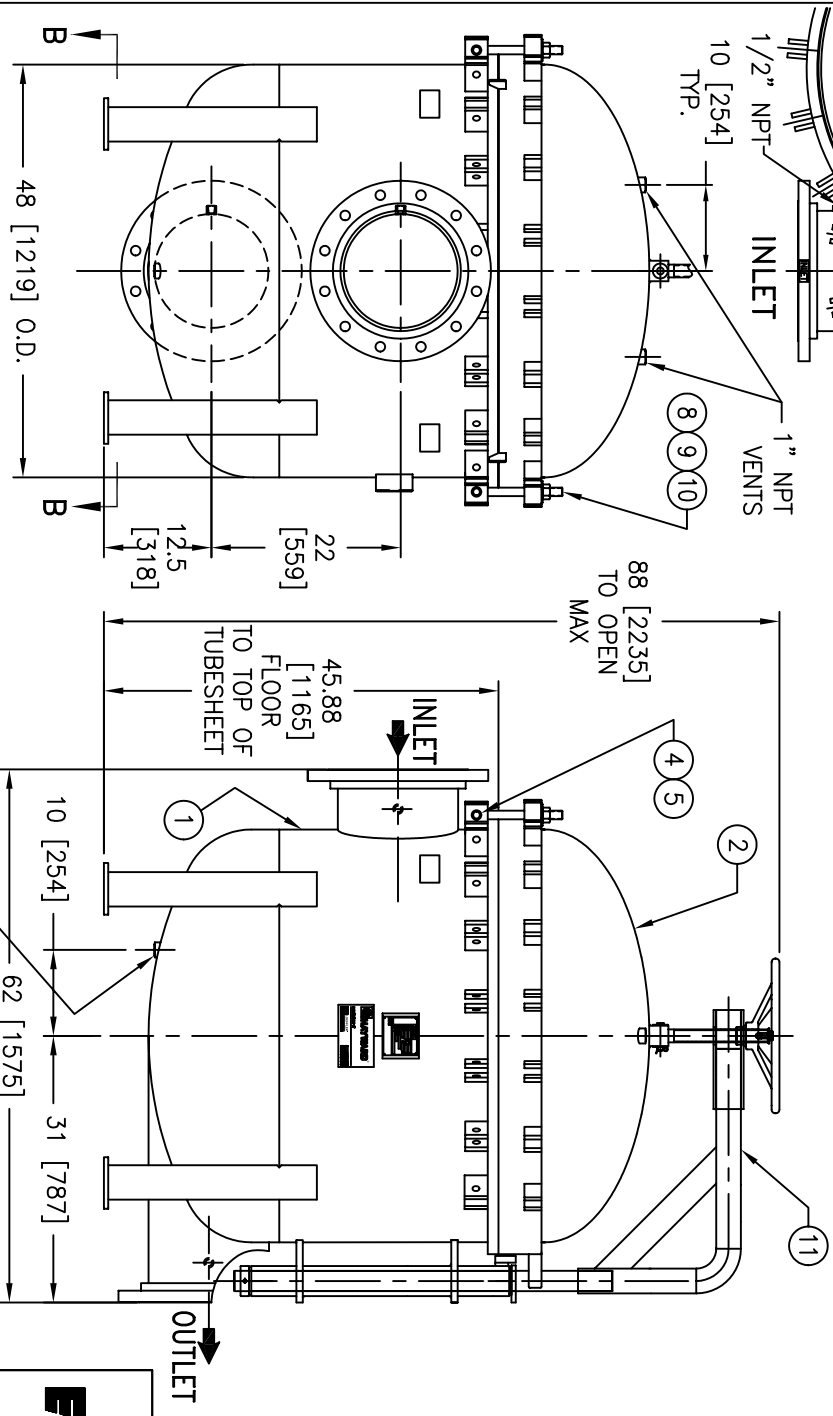


SECTION B-B

ITEM	PART NAME	MATERIAL
1	BODY	SA516 GR 70
2	COVER	SA516 GR 70
3	O-RING	BUNA-N
4	PIN	SA193 B7 ZINC PL
5	SNAP RING	STEEL ZINC PL
6	BASKET RESTRAINER	316 SS
7	FILTER BAG RETAINER	316 SS
8	EYE BOLT	SA193 B7 ZINC PL
9	HEX NUT	SA194 2H ZINC PL
10	WASHER	STEEL ZINC PL
11	DAVIT ASSEMBLY	CARBON STEEL

**NOTES:**

1. UNITS ARE TO BE DESIGNED, FABRICATED & "U" STAMPED IN ACCORDANCE WITH ASME SECT. VIII, DIV. 1 BOILER & PRESSURE VESSEL CODE, IN COMPLIANCE TO LATEST ADDENDA.
2. INLET / OUTLET FLANGE CONNECTIONS PER ANSI B 16.5.
3. DESIGN PRESSURE: 150 PSI (MAMP)  
 DESIGN TEMPERATURE 250° F.  
 MDMT - -20° F @ 150 PSI.
4. ALL DIMENSIONS ARE IN INCHES / (MM).
5. ALL BOLT HOLES ARE TO STRADDLE NATURAL CENTERLINES.
6. APPROX. WEIGHT (DRY) 2445 LB. (1109 KG.)
7. PAINT C/STL. PER HAYWARD STANDARD ES-301.



CERTIFIED FOR:  
 P.O. NO.:  
 REG. NO.:  
 QUOTE NO.:  
 TAG NO.:  
 VESSEL CODE: MBF-2002-CS10-140A-UT-13HD  
 PART NUMBER: F3AV20000004

ELECTRONIC FILE NAME: HD2014TC.DWG  
 REF. ECR D666 DATE 01/20/06

UNAUTHORIZED USE, MANUFACTURE OR REPRODUCTION IN WHOLE OR IN PART IS PROHIBITED. DRAWING, DESIGN AND OTHER DISCLOSURES PROPERTY OF EATON FILTRATION, LLC

**EATON**  
 900 FAIRMOUNT AVENUE, ELIZABETH, NEW JERSEY 07207  
**EATON FILTRATION, LLC**

NAME: MAXILINE MBF2002HD FILTER VESSEL  
 14" INLET / TANGENTIAL OUTLET  
 CARBON STEEL

DATE 12/28/00 CERT. LF DATE 6/1/01

SIZE DWG NO. A

HD2014TC

REV C