

# Reed level transmitter

## For the process industry

### Models FLR-S, FLR-P, FLR-H

WIKA data sheet LM 20.02



for further approvals  
see page 3



## Applications

- Level measurement for almost all liquid media
- Chemical, petrochemical industry, natural gas, offshore, shipbuilding, machine building, power generating equipment, power plants
- Process water and drinking water treatment, food and beverage industry, pharmaceutical industry

## Special features

- Process- and system-specific solutions possible
- Operating limits:
  - Operating temperature:  $T = -80 \dots +200 \text{ }^\circ\text{C}$
  - Operating pressure:  $P = \text{Vacuum up to } 80 \text{ bar}$
  - Limit density:  $\rho \geq 400 \text{ kg/m}^3$
- Wide variety of different electrical connections, process connections and materials
- Optionally with programmable and configurable head-mounted transmitter for 4 ... 20 mA field signals, HART®, PROFIBUS® PA and FOUNDATION™ Fieldbus
- Explosion-protected versions (option)

## Description

The model FLR level transmitters with reed measuring chain are used for level measurement in liquid media. They work on the float principle with magnetic transmission.

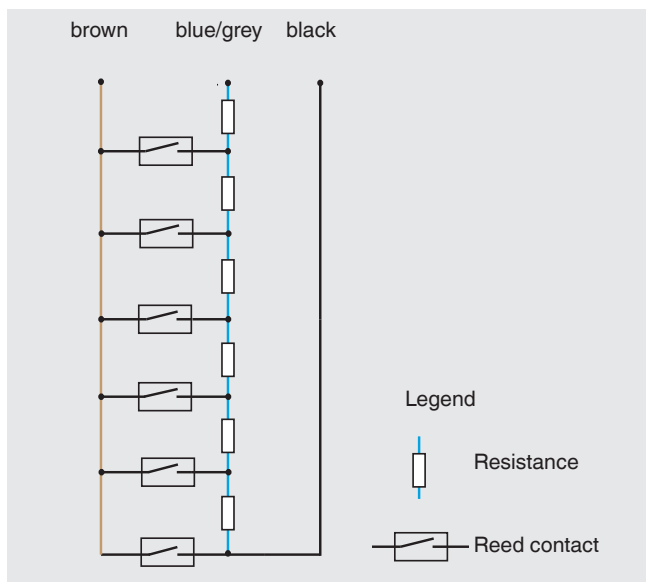
The float's magnetic system in the guide tube actuates a resistance measuring chain that corresponds to a 3-wire potentiometer circuit. The measurement voltage generated by this is proportional to the fill level.

The measurement voltage is very finely-stepped due to the contact separation of the measuring chain and is thus virtually continuous. Depending on the requirements several different contact separations are available.



**Reed level transmitter, flange connection with stainless steel connection housing, model FLR-SAI (NMG125)**

## Internal circuit diagram of the reed level transmitter



## Model overview











Model	Description	Materials										
		Stainless steel						Titanium 3.7035 (grade 2)	PVC	PP	PVDF	Buna
		1.4571 (316Ti)	1.4404 (316L)	1.4435 (316L)	1.4571 (316Ti) / PP	1.4571 (316Ti) / PA	1.4571 (316Ti) / Ms					
<b>FLR-S</b>	Standard version	x	x	x	x	x	x	x	-	-	-	x
<b>FLR-P</b>	Plastic version	-	-	-	-	-	-	-	x	x	x	-
<b>FLR-H</b>	Sterile version	-	x	x	-	-	-	-	-	-	-	-

### Temperature range (process)



- Model FLR-S -80 ... +200 °C
- Model FLR-P -10 ... +100 °C
- Model FLR-H -20 ... +200 °C

## Approvals




### ■ Model FLR-S

Logo	Description	Country
 	<b>EU declaration of conformity</b> <ul style="list-style-type: none"> <li>■ EMC directive EN 61326 emission (group 1, class B) and interference immunity (industrial application)</li> <li>■ RoHS directive</li> <li>■ ATEX directive (option) Hazardous areas           <ul style="list-style-type: none"> <li>- Ex i II 1/2G Ex ia IIC T4 ... T6 Ga/Gb oder No. KEMA 01 ATEX 1052 X II 2D Ex ib IIIC T80 °C Db</li> <li>- Ex d II 2G Ex d IIC T6 Gb / II 2 D Ex tb IIIC T80 °C Db No. TÜV 13 ATEX 7399 X</li> </ul> </li> </ul>	European Union
	<b>EAC</b> <ul style="list-style-type: none"> <li>■ EMC directive No. TC N RU 4-DE.A301.B.00820</li> <li>■ Hazardous areas No. RU C-DE.AB72.B.02373</li> </ul>	Eurasian Economic Community
	<b>GOST</b> Metrology, measurement technology No. 19358	Russia
	<b>KazInMetr</b> Metrology, measurement technology No. 13946	Kazakhstan
	<b>BelGIM</b> Metrology, measurement technology No. 9711	Belarus
	<b>UkrSEPRO</b> Metrology, measurement technology No. UA-MI/2-4989-2015	Ukraine
	<b>Uzstandard</b> Metrology, measurement technology No. 02.6648	Uzbekistan
	<b>DNV GL</b> <ul style="list-style-type: none"> <li>■ Ships, shipbuilding (e.g. offshore)</li> <li>■ Hazardous areas (No. TAA00002F7)</li> </ul>	International
	<b>Bureau Veritas</b> Ships, shipbuilding No. 04263/G0 BV	International

### ■ Model FLR-P

Logo	Description	Country
	<b>EU declaration of conformity</b> <ul style="list-style-type: none"> <li>■ EMC directive (model FLR-PB) EN 61326 emission (group 1, class B) and interference immunity (industrial application)</li> <li>■ RoHS directive</li> </ul>	European Union
	<b>EAC</b> EMC directive No. TC N RU 4-DE.A301.B.00820	Eurasian Economic Community

■ Model FLR-H

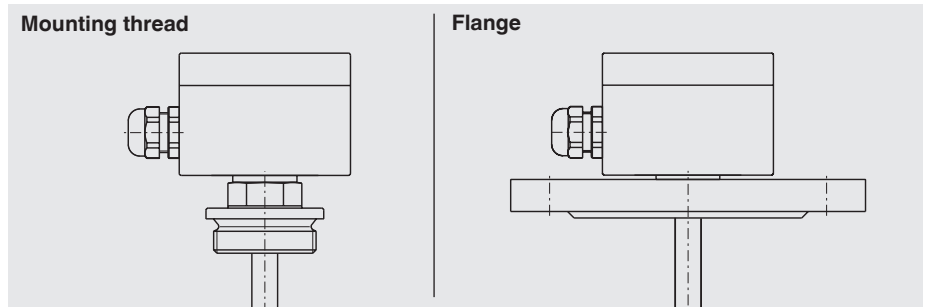
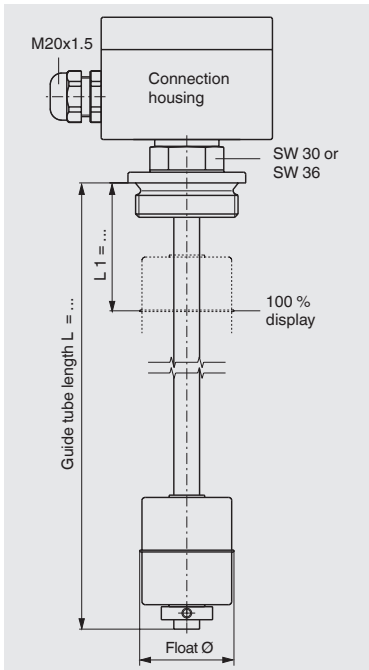
Logo	Description	Country
	<b>EU declaration of conformity</b> <ul style="list-style-type: none"> <li>■ EMC directive (model FLR-PB) EN 61326 emission (group 1, class B) and interference immunity (industrial application)</li> <li>■ RoHS directive</li> </ul>	European Union
	<b>EAC</b> EMC directive No. TC N RU Д-DE.A301.B.00820	Eurasian Economic Community
	<b>GOST</b> Metrology, measurement technology No. 19358	Russia

Approvals and certificates, see website

# Level transmitter, standard version with connection housing

## Models FLR-SA, FLR-SB

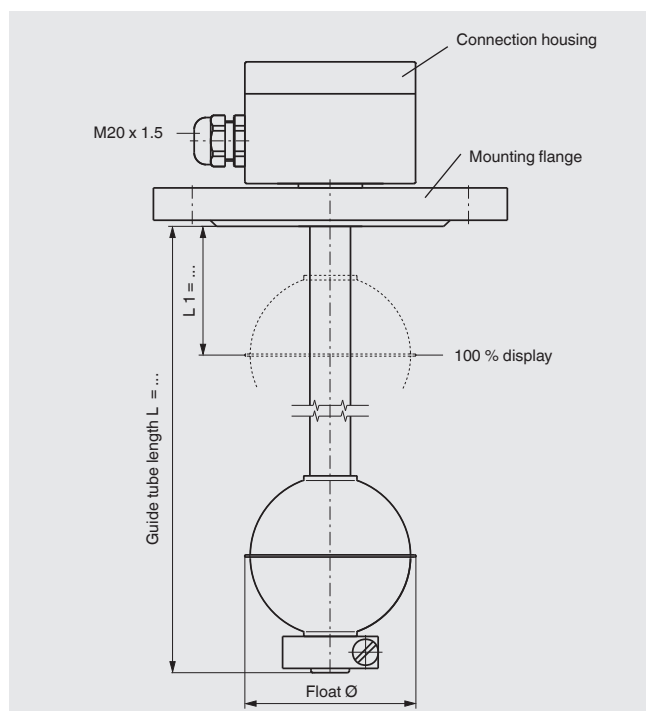
Process connection, guide tube and float from stainless steel



	Model FLR-SA	Model FLR-SB
<b>Electrical connection</b>	Connection housing: Aluminium 80 x 75 x 57 mm Option: Polypropylene, polyester, stainless steel	Connection housing: Aluminium 80 x 75 x 57 mm with head-mounted transmitter Option: Polypropylene, polyester, stainless steel
<b>Process connection</b>	<ul style="list-style-type: none"> <li>■ Mounting thread downwards G 1 1/2" or G 2"</li> <li>■ Mounting flange                             <ul style="list-style-type: none"> <li>- DIN DN 50 ... DN 200, PN 6 ... PN 100</li> <li>- ANSI 2" ... 8", class 150 ... 600</li> </ul> </li> </ul>	
<b>Guide tube diameter</b>	8 mm / 12 mm / 14 mm / 18 mm	
<b>Max. guide tube length L</b>	<ul style="list-style-type: none"> <li>■ 500 mm (guide tube diameter 8 mm)</li> <li>■ 1,500 mm (guide tube diameter 12 mm)</li> <li>■ 3,500 mm (guide tube diameter 14 mm)</li> <li>■ 6,000 mm (guide tube diameter 18 mm)</li> </ul>	
<b>Float</b>	Material: Stainless steel 1.4571 (option: Buna, titanium) Float diameter: 44 ... 120 mm Float selection depending on guide tube diameter and process conditions (see page 14 and 15)	
<b>Max. operating pressure</b>	80 bar (see page 14 and 15)	
<b>Temperature range</b>	-20 ... +120 °C Option: <ul style="list-style-type: none"> <li>■ High-temperature version: 120 ... 200 °C</li> <li>■ Low-temperature version: -80 ... -20 °C</li> </ul>	
<b>Resolution</b>	2.7 mm / 5.5 mm / 7.5 mm / 9 mm (depending on contact separation)	
<b>Overall resistance of the measuring chain</b>	Depending on length and separation	
<b>Head-mounted transmitter</b>	External transmitter	Head-mounted transmitter, see page 17
<b>Output</b>	3-wire potentiometer	4 ... 20 mA
<b>Connection cable to transmitter/ control room</b>	Cable length max. 2,000 m, 3-wire, screened	2-wire, screened
<b>Permissible power supply</b>	< AC 50 V, < DC 75 V	see the data sheet of the head-mounted transmitter used
<b>Mounting position</b>	Vertical ±30°	
<b>Ingress protection</b>	up to IP66 or IP68 per IEC/EN 60529 (depending on version)	

## Level transmitter, ECTFE coated version with connection housing Models FLR-SA, FLR-SB

Process connection, guide tube material and float from stainless steel 1.4571, ECTFE coated

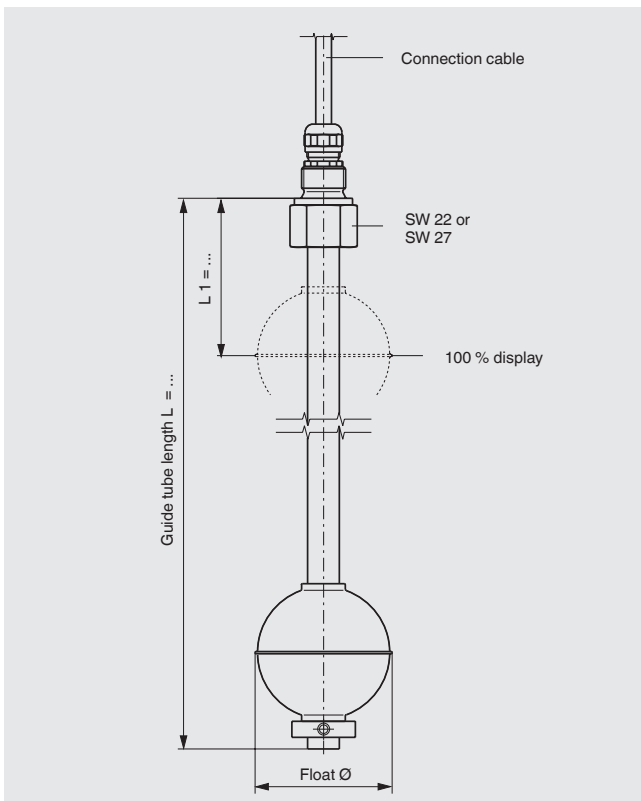


	Model FLR-SA	Model FLR-SB
<b>Electrical connection</b>	Connection housing: Aluminium 80 x 75 x 57 mm Option: Polypropylene, polyester, stainless steel	Connection housing: Aluminium 80 x 75 x 57 mm with head-mounted transmitter Option: Polypropylene, polyester, stainless steel
<b>Process connection</b>	Mounting flange <ul style="list-style-type: none"> <li>■ DIN DN 50 ... DN 200, PN 6 ... PN 100</li> <li>■ ANSI 2" ... 8", class 150 ... 600</li> </ul>	
<b>Guide tube diameter</b>	18 mm	
<b>Max. guide tube length L</b>	4,000 mm	
<b>Float</b>	Material: <ul style="list-style-type: none"> <li>■ Stainless steel 1.4571, ECTFE coated</li> <li>■ PVDF</li> <li>■ PTFE</li> </ul> Float diameter: 44 ... 120 mm Float selection depending on guide tube diameter and process conditions (see page 14 and 15)	
<b>Max. operating pressure</b>	80 bar (see page 14 and 15)	
<b>Temperature range</b>	-20 ... +120 °C Option: <ul style="list-style-type: none"> <li>■ High-temperature version: 120 ... 200 °C</li> <li>■ Low-temperature version: -80 ... -20 °C</li> </ul>	
<b>Resolution</b>	2.7 mm / 5.5 mm / 7.5 mm / 9 mm (depending on contact separation)	
<b>Overall resistance of the measuring chain</b>	Depending on length and separation	
<b>Head-mounted transmitter</b>	External transmitter	Head-mounted transmitter, see page 17
<b>Output</b>	3-wire potentiometer	4 ... 20 mA
<b>Connection cable to transmitter / control room</b>	Cable length max. 2,000 m, 3-wire, screened	2-wire, screened
<b>Permissible power supply</b>	< AC 50 V, < DC 75 V	See the data sheet of the head-mounted transmitter used
<b>Mounting position</b>	Vertical ±30°	
<b>Ingress protection</b>	up to IP66 or IP68 per IEC/EN 60529 (depending on version)	

# Level transmitter, standard version with cable or plug connection

## Models FLR-SE, FLR-SF

Process connection, guide tube and float from stainless steel

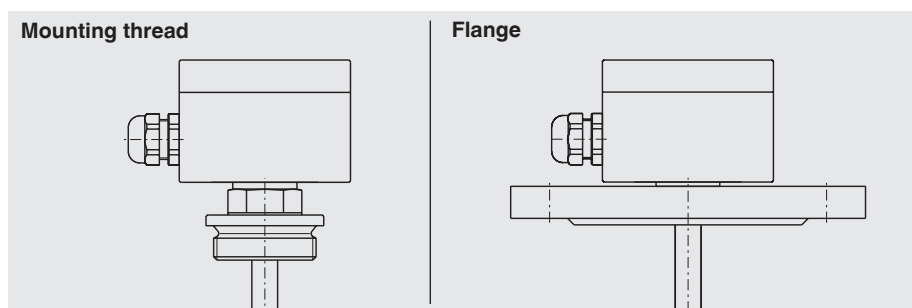
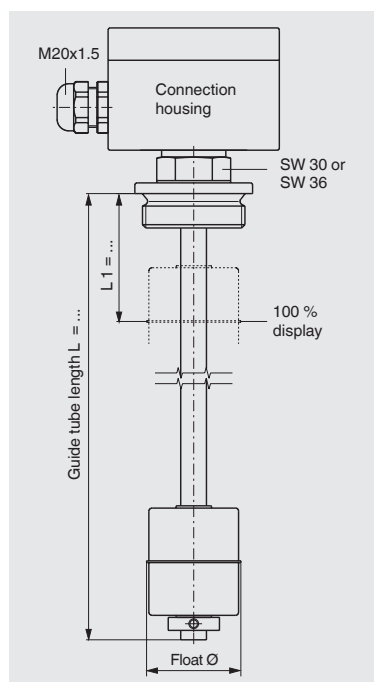


	Model FLR-SE	Model FLR-SF
<b>Electrical connection</b>	Connection cable ■ PVC ■ Silicone ■ PUR	Coupler connector ■ DIN 43650 (4-pin) ■ M12 (4-pin)
<b>Process connection</b>	Mounting thread upwards: G 3/8" or G 1/2" others on request	
<b>Guide tube diameter</b>	8 mm / 12 mm / 14 mm / 18 mm	
<b>Max. guide tube length L</b>	■ 500 mm (guide tube diameter 8 mm) ■ 3,500 mm (guide tube diameter 12 or 14 mm) ■ 6,000 mm (guide tube diameter 18 mm)	
<b>Float</b>	Material: Stainless steel 1.4571 (option: Buna, titanium) Float diameter: 44 ... 120 mm Float selection depending on guide tube diameter and process conditions (see page 14 and 15)	
<b>Max. operating pressure</b>	80 bar	
<b>Temperature range</b>	PVC/PUR cable: -10 ... +80 °C Silicone cable: -10 ... +120 °C	
<b>Resolution</b>	2.7 mm / 5.5 mm / 7.5 mm / 9 mm (depending on contact separation)	
<b>Overall resistance of the measuring chain</b>	Depending on length and separation	
<b>Output</b>	3-wire potentiometer	
<b>Connection cable to transmitter</b>	Cable length max. 2,000 m, 2-wire, screened	
<b>Mounting position</b>	Vertical ±30°	
<b>Ingress protection</b>	up to IP66 or IP68 per IEC/EN 60529 (depending on version)	

# Level transmitter, plastic version with connection housing

## Models FLR-PA, FLR-PB

Process connection, guide tube and float from polypropylene, PVDF or PVC



	Model FLR-PA	Model FLR-PB
<b>Electrical connection</b>	Connection housing: Polyester 80 x 75 x 57 mm	Connection housing: Polyester 80 x 75 x 57 mm with head-mounted transmitter
<b>Process connection</b>	<ul style="list-style-type: none"> <li>■ Mounting thread downwards G 2", others on request</li> <li>■ Mounting flange <ul style="list-style-type: none"> <li>- DIN DN 65 ... DN 125, PN 10, form A</li> <li>- ANSI 2 1/2" ... 5", class 150 FF</li> </ul> </li> </ul>	
<b>Guide tube diameter</b>	16 or 20 mm (strengthened with a metallic inner tube)	
<b>Max. guide tube length L</b>	<ul style="list-style-type: none"> <li>■ 3,000 mm (guide tube diameter 16 mm)</li> <li>■ 5,000 mm (guide tube diameter 20 mm)</li> </ul>	
<b>Float</b>	Material: Polypropylene, PVDF, PVC Float diameter: 44 ... 80 mm Float selection depending on guide tube diameter and process conditions (see page 14 and 15)	
<b>Max. operating pressure</b>	3 bar	
<b>Temperature range</b>	Polypropylene -10 ... +80 °C PVDF -10 ... +100 °C PVC 0 ... 60 °C	
<b>Resolution</b>	2.7 mm / 5.5 mm / 7.5 mm / 9 mm (depending on contact separation)	
<b>Overall resistance of the measuring chain</b>	Depending on length and separation	
<b>Head-mounted transmitter</b>	External transmitter	Head-mounted transmitter, see page 17
<b>Output</b>	3-wire potentiometer	4 ... 20 mA
<b>Connection cable to transmitter / control room</b>	Cable length max. 2,000 m, 3-wire, screened	2-wire, screened
<b>Permissible power supply</b>	< AC 50 V, < DC 75 V	See the data sheet of the head-mounted transmitter used
<b>Mounting position</b>	Vertical ±30°	
<b>Ingress protection</b>	up to IP66 or IP68 per IEC/EN 60529 (depending on version)	

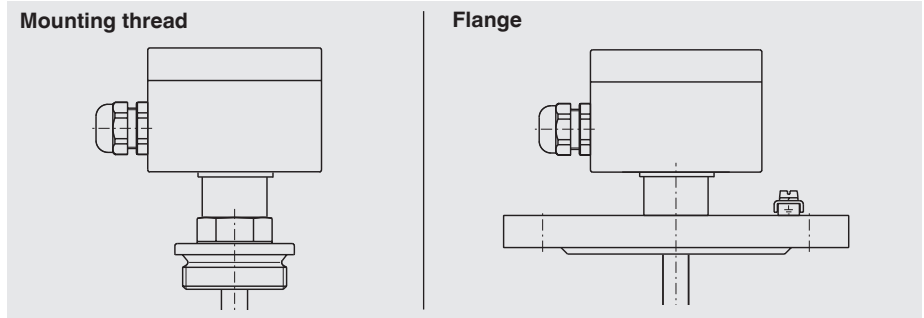
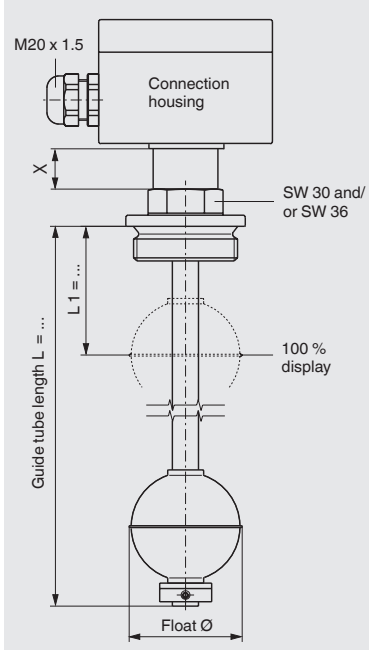


# Level transmitter, explosion-protected version Ex i, intrinsically safe Models FLR-SAI, FLR-SBI (NMG 125)



KEMA 01 ATEX 1052 X (II 1/2G Ex ia IIC T4 ... T6 Ga/Gb or II 2D Ex ib IIIC T80 °C Db)

Process connection, guide tube and float from stainless steel 1.4571



	Models FLR-SAI (NMG 125)	Model FLR-SBI (NMG 125)																
<b>Electrical connection</b>	Connection housing: Aluminium 80 x 75 x 57 mm Option: Stainless steel	Connection housing: Aluminium 80 x 75 x 57 mm with head-mounted transmitter Option: Stainless steel																
<b>Process connection</b>	<ul style="list-style-type: none"> <li>■ Mounting thread downwards G 1 1/2" or G 2", others on request</li> <li>■ Mounting flange - DIN DN 50 ... DN 350, PN 6 ... PN 100 - ANSI 2" ... 8", class 150 ... 600</li> </ul>																	
<b>Guide tube diameter</b>	12 mm / 14 mm / 18 mm																	
<b>Max. guide tube length L</b>	see page 13																	
<b>Float</b>	Material: Stainless steel 1.4571	Float diameter: 44 ... 120 mm Float selection depending on guide tube diameter and process conditions (see page 14 and 15)																
<b>Max. operating pressure</b>	see page 14 and 15																	
<b>Temperature class</b>	<table border="1"> <thead> <tr> <th></th> <th>T4</th> <th>T5</th> <th>T6</th> </tr> </thead> <tbody> <tr> <td>■ Surface temperature</td> <td>Max. 135 °C</td> <td>100 °C</td> <td>85 °C</td> </tr> <tr> <td>■ Process temperature</td> <td>Max. 100 °C</td> <td>65 °C</td> <td>50 °C</td> </tr> <tr> <td>■ Ambient temperature at connection housing</td> <td>Max. 60 °C</td> <td>60 °C</td> <td>60 °C</td> </tr> </tbody> </table>			T4	T5	T6	■ Surface temperature	Max. 135 °C	100 °C	85 °C	■ Process temperature	Max. 100 °C	65 °C	50 °C	■ Ambient temperature at connection housing	Max. 60 °C	60 °C	60 °C
	T4	T5	T6															
■ Surface temperature	Max. 135 °C	100 °C	85 °C															
■ Process temperature	Max. 100 °C	65 °C	50 °C															
■ Ambient temperature at connection housing	Max. 60 °C	60 °C	60 °C															
<b>Resolution</b>	2.7 mm / 5.5 mm / 7.5 mm / 9 mm (depending on contact separation)																	
<b>Overall resistance of the measuring chain</b>	Depending on length and separation																	
<b>Control circuit</b>	Ignition protection type Ex ia IIC (only for connection to a certified intrinsically safe control circuit)																	
<b>Transmitter</b>	External transmitter with max. 120 mA, max. 28 V	Head-mounted transmitter in accordance with transmitter approvals, see page 17																
<b>Output</b>	3-wire potentiometer	4 ... 20 mA																
<b>Connection cable to transmitter/control room (if head-mounted transmitter)</b>	Cable length max. 2,000 m, 3-wire, screened	2-wire, screened																
<b>Permissible power supply</b>	< AC 50 V, < DC 75 V	See the data sheet of the head-mounted transmitter used																
<b>Mounting position</b>	Vertical ±30°																	
<b>Ingress protection</b>	up to IP66 or IP68 per IEC/EN 60529 (depending on version)																	

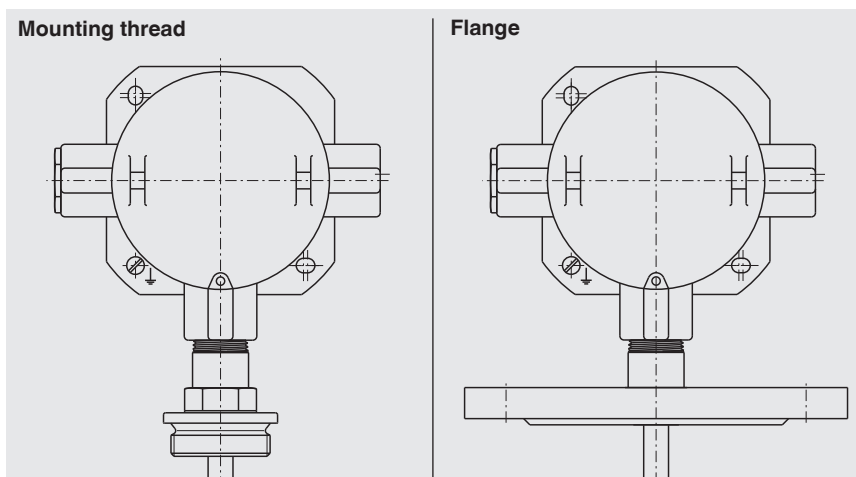
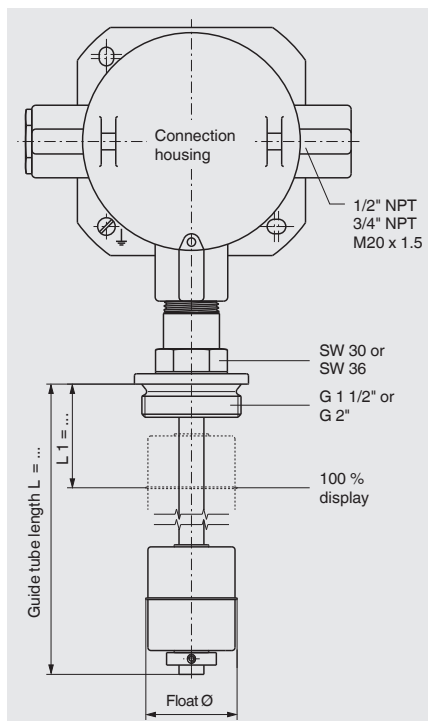
# Level transmitter, explosion-protected version Ex d, flameproof enclosure Models FLR-SAD, FLR-SBD (AF-ADF)



TÜV 13 ATEX 7399 X (II 2G Ex d IIC T6 Gb / II 2 D Ex tb IIIC T80 °C Db)

IECEX TUR 09.0002X (-40 °C ≤ T<sub>a</sub> ≤ +55 °C Ex d IIC T6 Ex tD A21 IP65 T80 °C)

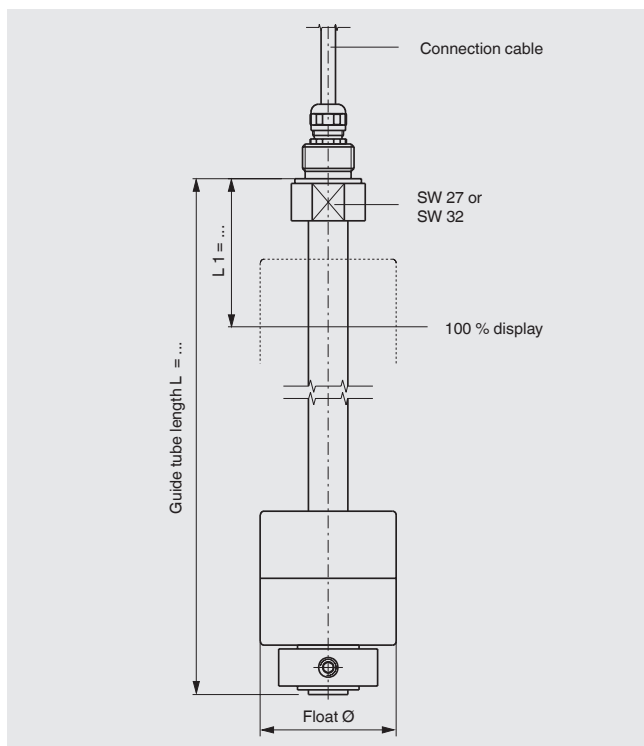
Process connection, guide tube and float from stainless steel 1.4571



	Model FLR-SAD (AF-ADF)	Model FLR-SBD (AF-ADF)
<b>Electrical connection</b>	Connection housing: Aluminium 170 x 151 x 87 mm Option: Stainless steel	Connection housing: Aluminium with head-mounted transmitter Option: Stainless steel
<b>Process connection</b>	<ul style="list-style-type: none"> <li>■ Mounting thread downwards G 1 1/2" or G 2", others on request</li> <li>■ Mounting flange - DIN DN 50 ... DN 350, PN 6 ... PN 40 - ANSI 2" ... 14", class 150 ... 300</li> </ul>	
<b>Guide tube diameter</b>	12 mm / 14 mm / 18 mm	
<b>Max. guide tube length L</b>	<ul style="list-style-type: none"> <li>■ 3,500 mm (guide tube diameter 12 mm) - flanged version only to 1,500 mm</li> <li>■ 3,500 mm (guide tube diameter 14 mm)</li> <li>■ 6,000 mm (guide tube diameter 18 mm)</li> </ul>	
<b>Float</b>	Material: Stainless steel 1.4571 Float diameter: 44 ... 120 mm Float selection depending on guide tube diameter and process conditions (see page 14 and 15)	
<b>Max. operating pressure</b>	see page 14 and 15	
<b>Temperature class</b>	T4: 120 °C, T5: 95 °C, T6: 80 °C	
<b>Resolution</b>	2.7 mm / 5.5 mm / 7.5 mm / 9 mm (depending on contact separation)	
<b>Overall resistance of the measuring chain</b>	Depending on length and separation	
<b>Transmitter</b>	External transmitter	Head-mounted transmitter, see page 17
<b>Output</b>	3-wire potentiometer	4 ... 20 mA
<b>Connection cable to transmitter/control room (if head-mounted transmitter)</b>	Cable length max. 2,000 m, 3-wire, screened	2-wire, screened
<b>Permissible power supply</b>	< AC 50 V, < DC 75 V	See the data sheet of the head-mounted transmitter used
<b>Mounting position</b>	Vertical ±30°	
<b>Ingress protection</b>	up to IP66 or IP68 per IEC/EN 60529 (depending on version)	

## Level transmitter, plastic version with cable or plug connection Models FLR-PE, FLR-PF

Process connection, guide tube and float from polypropylene, PVDF or PVC

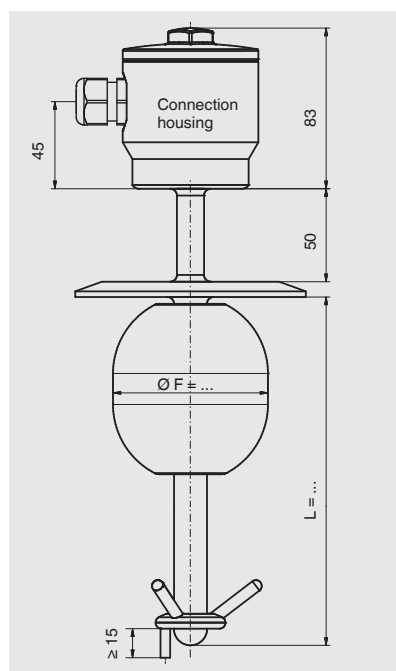


	Model FLR-PE	Model FLR-PF
<b>Electrical connection</b>	Connection cable ■ PVC ■ Silicone ■ PUR	Coupler connector ■ DIN 43650 (4-pin) ■ M12 (4-pin)
<b>Process connection</b>	Mounting thread upwards: ■ G ½" (guide tube diameter 16 mm) ■ G 1" (guide tube diameter 20 mm) others on request	
<b>Guide tube diameter</b>	16 or 20 mm (strengthened with a metallic inner tube)	
<b>Max. guide tube length L</b>	■ 3,000 mm (guide tube diameter 16 mm) ■ 5,000 mm (guide tube diameter 20 mm)	
<b>Float</b>	Material: Polypropylene, PVDF, PVC Float diameter: 55 ... 80 mm Float selection depending on guide tube diameter and process conditions (see page 14 and 15)	
<b>Max. operating pressure</b>	3 bar	
<b>Temperature range</b>	Polypropylene -10 ... +80 °C PVDF -10 ... +100 °C PVC 0 ... 60 °C	
<b>Resolution</b>	2.7 mm / 5.5 mm / 7.5 mm / 9 mm (depending on contact separation)	
<b>Overall resistance of the measuring chain</b>	Depending on length and separation	
<b>Connection cable to transmitter</b>	Cable length max. 2,000 m, 3-wire, screened	
<b>Mounting position</b>	Vertical ±30°	
<b>Ingress protection</b>	up to IP66 or IP68 per IEC/EN 60529 (depending on version)	

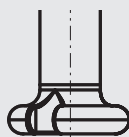
## Level transmitter, sterile version with connection housing

### Models FLR-HA3, FLR-HB3

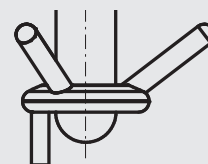
Process connection, guide tube and float from stainless steel 1.4435 (316L) or 1.4404 (316L), surface ground and polished  $R_a < 0.8 \mu\text{m}$  or  $R_a < 0.4 \mu\text{m}$ , alternatively electropolished



With welded tube end



With separate float bracket

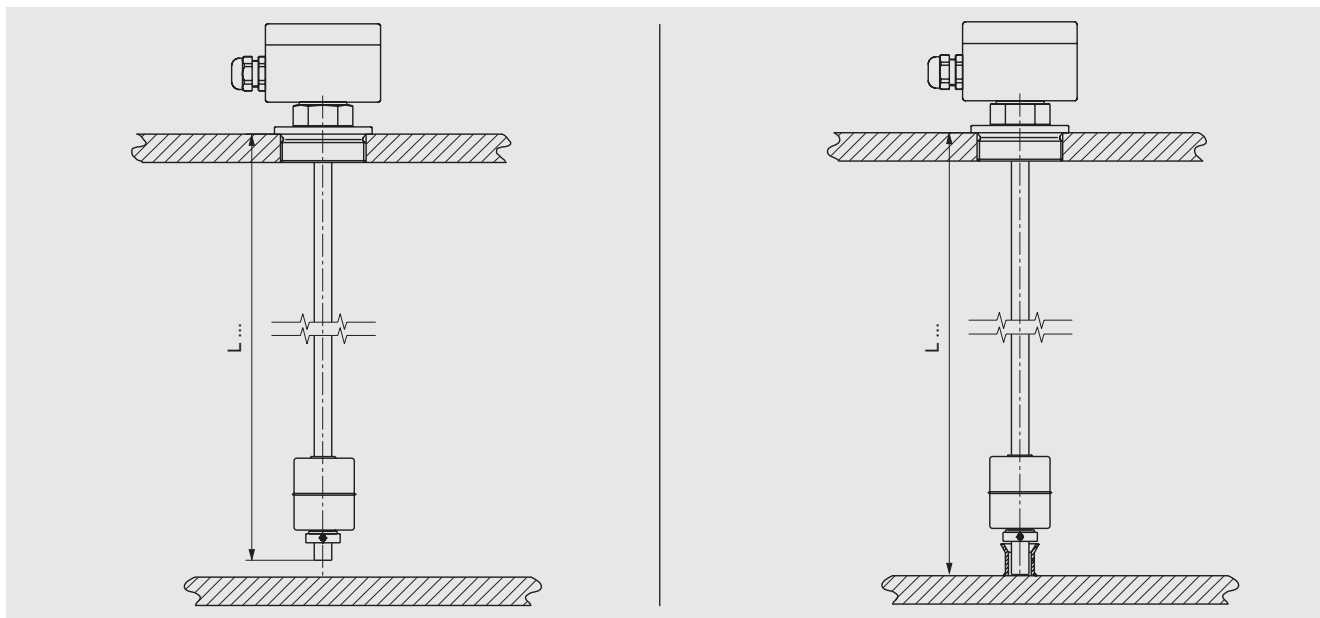


	Model FLR-HA3	Model FLR-HB3
<b>Electrical connection</b>	Connection housing: Stainless steel 1.4571 with threaded connection M20 x 1.5 (polyamide or hygienic design)	Connection housing: Aluminium with head-mounted transmitter Option: Polypropylene, polyester, stainless steel
<b>Process connection</b>	<ul style="list-style-type: none"> <li>■ Clamp pipe connection ISO 2852, DN 32 ... DN 100 or 1.5" ... 4"</li> <li>■ Clamp pipe connection DIN 32676, DN 32 ... DN 100 or 1.5" ... 4"</li> <li>■ Aseptic mounting thread downwards DIN 11864-1, DN 32 ... DN 100 or 1.5" ... 4"</li> <li>■ Aseptic liner DIN 11864-1, DN 32 ... DN 100 or 1.5" ... 4"</li> <li>■ Aseptic flange connection DIN 11864-2 (DN 32 ... DN 50 or 1.5" ... 2"</li> <li>■ Aseptic clamp connection DIN 11864-3, DN 32 ... DN 100 or 1.5" ... 4"</li> <li>■ VARIVENT® (form F, N and G)</li> <li>■ BioConnect® threaded connection, DN 32 ... DN 100 or 1.5" ... 2"</li> <li>■ BioConnect® flange connection, DN 32 ... DN 100 or 1.5" ... 2"</li> <li>■ BioConnect® clamp connection, DN 32 ... DN 100 or 1.5" ... 4"</li> </ul>	
<b>Guide tube diameter</b>	12 mm / 14 mm / 17.2 mm (stainless steel 1.4435 or 1.4404, surface ground or polished, $R_a < 0.8 \mu\text{m}$ )	
<b>Max. guide tube length L</b>	<ul style="list-style-type: none"> <li>■ 1,500 mm (guide tube diameter 12 mm)</li> <li>■ 3,500 mm (guide tube diameter 14 mm)</li> <li>■ 6,000 mm (guide tube diameter 17.2 mm)</li> </ul>	
<b>Float</b>	Material: Stainless steel 1.4435 or 1.4404	Float diameter: 50 ... 80 mm Float selection depending on guide tube diameter
<b>Max. operating pressure</b>	10 bar	
<b>Temperature range</b>	Medium standard: -40 ... +200 °C	Sensor housing: -40 ... +85 °C
<b>Resolution</b>	2.7 mm / 5.5 mm / 7.5 mm / 9 mm (depending on contact separation)	
<b>Overall resistance of the measuring chain</b>	Depending on length and separation	
<b>Head-mounted transmitter</b>	External transmitter	Head-mounted transmitter, see page 17
<b>Output</b>	3-wire potentiometer	4 ... 20 mA
<b>Connection cable to transmitter/control room (if head-mounted transmitter)</b>	Cable length max. 2,000 m, 3-wire, screened	2-wire, screened
<b>Permissible power supply</b>	< AC 50 V, < DC 75 V	See the data sheet of the head-mounted transmitter used
<b>Mounting position</b>	Vertical $\pm 30^\circ$	
<b>Ingress protection</b>	up to IP66 or IP68 per IEC/EN 60529 (depending on version)	

## Determination of the max. guide tube length L for explosion-protected version, intrinsically safe

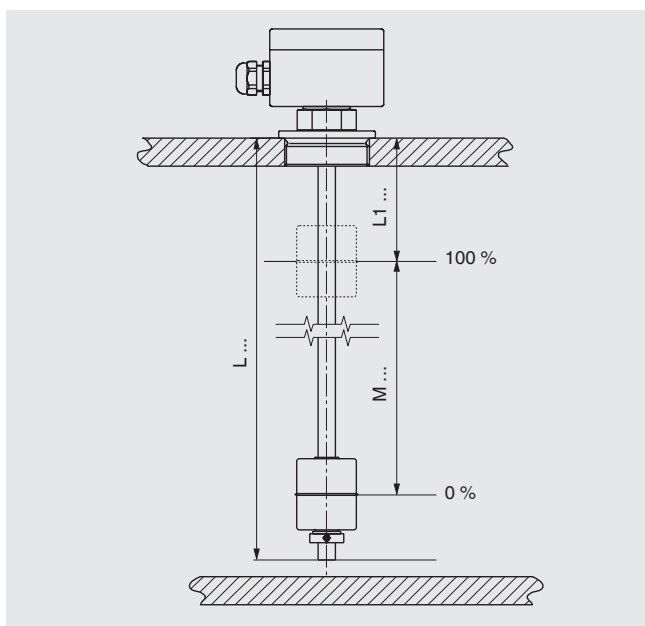
Version A: Fixed to the tank ceiling

Version B: Fixed to the tank ceiling and floor



Guide tube	Max. guide tube length L	
	Version A	Version B
Ø 12 x 1	660 mm	3,500 mm
Ø 14 x 1	940 mm	5,000 mm
Ø 14 x 2	1,600 mm	6,000 mm
Ø 18 x 2	3,000 mm	6,500 mm

### Illustration with the required dimensions for ordering



#### Legend

$L_1$  = 100 % mark (distance sealing face-float centre)

M = Measuring range (span 0 ... 100 %)

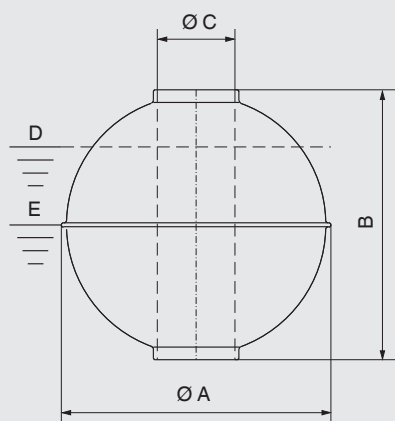
L = Guide tube length and/or insertion length of the level transmitter

On ordering, the dimension  $L_1$  and the guide tube length (immersion length) L must be given.

Subsequent alteration of the measuring range is not possible.

# Floats

## Spherical float

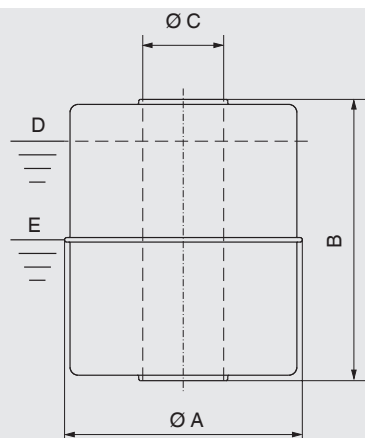


D = Limit density of the medium, immersed float volume 85 %

E = Nominal density of the medium, immersed float volume 50 %

Material	Version	Suits guide tube $\varnothing$ in mm	$\varnothing A$ in mm	B in mm	$\varnothing C$ in mm	Max. operating pressure in bar	Max. operating temp. in °C	Limit density 85 % in kg/m <sup>3</sup>	Order no.
Stainless steel	V52R	12	52	52	15	40	250	720	020913
	V62R	12	62	61	15	32	250	670	026026
	V83R	12	83	81	15	25	250	430	021089
	V80R	18	80	76	23	25	250	630	005479
	V98R	18	98	96	23	25	250	600	005490
	V105R	18	105	103	23	25	250	560	005494
	V120R	18	120	117	23	25	250	470	026726
	V120R	18 ... 30	120	116	38	25	250	537	-
	V200R	18 ... 30	200	192	56	16	250	581	005503
	V300R	18 ... 30	300	294	56	16	250	342	-
Titanium 3.7035	T52R	12	52	52	15	25	250	680	026655
	T52R	12	52	52	15	60	250	810	034037
	T52R	12	52	52	15	80	250	957	122702
	T62R	12	62	62	15	25	250	390	005538
	T83R	12	83	81	15	25	250	350	005544
	T80R	18	80	76	23	25	250	670	005543
	T105R	18	105	103	23	25	250	440	005549
	T120R	18	120	117	38	25	250	480	115002
Stainless steel 1.4571 ECTFE coated	VEC81R	18	81	77	22	25	Depending on medium	634	110232
	VEC99R	18	99	97	22	25	Depending on medium	653	-
	VEC106R	18	106	104	22	25	Depending on medium	595	-
	VEC121R	18	121	118	22	3	Depending on medium	435	-

## Cylindrical float

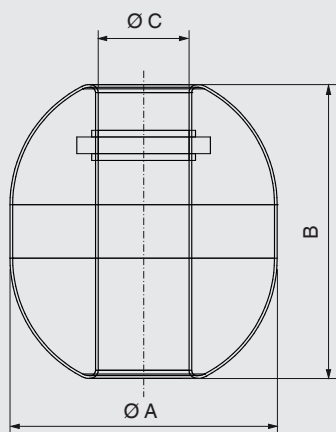


D = Limit density of the medium, immersed float volume 85 %

E = Nominal density of the medium, immersed float volume 50 %

Material	Version	Suits guide tube Ø in mm	Ø A in mm	B in mm	Ø C in mm	Max. operating pressure in bar	Max. operating temp. in °C	Limit density 85 % in kg/m <sup>3</sup>	Order no.
<b>Stainless steel 1.4571</b>	V44R	12	44	52	15	16	250	780	034196
<b>Titanium 3.7035</b>	T44R	12	44	52	15	16	250	550	022639
<b>PVC</b>	P55R	16	55	54	22	3	60	805	033696
	P80R	20	80	79	25	3	60	577	033697
<b>Polypropylene</b>	PP55R	16	55	54	22	3	80	592	033700
	PP80R	20	80	79	25	3	80	438	033701
<b>PVDF</b>	PF55R	16	55	69	22	3	100	809	033698
	PF80R	20	80	79	25	3	100	706	033699

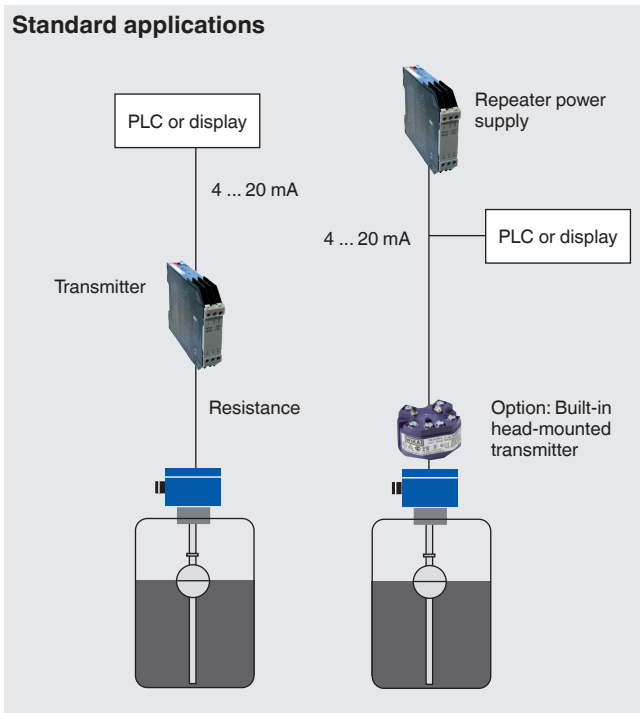
## Hygienic float



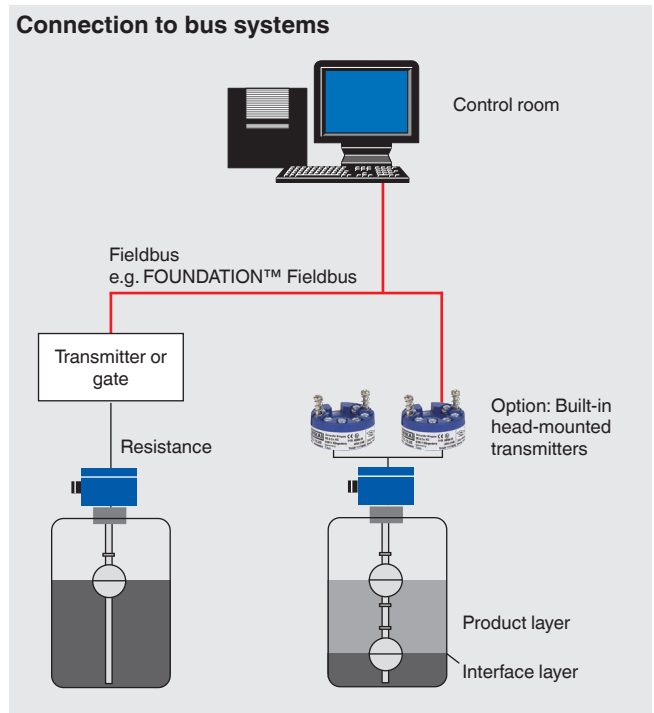
Material	Model	Version	Suits guide tube Ø in mm	Ø A in mm	B in mm	Ø C in mm	Max. operating pressure in bar	Max. operating temp. in °C	Limit density 85 % in kg/m <sup>3</sup>	Order no.
<b>Stainless steel 1.4435</b>	V80/88/R2/3A/35 radial	V80R	18	80	55	23	116	250	800	025984
	V50/55/17/A34/3A/35	V50A	12	50	55	16.8	16	250	1,100	129583

# Application examples

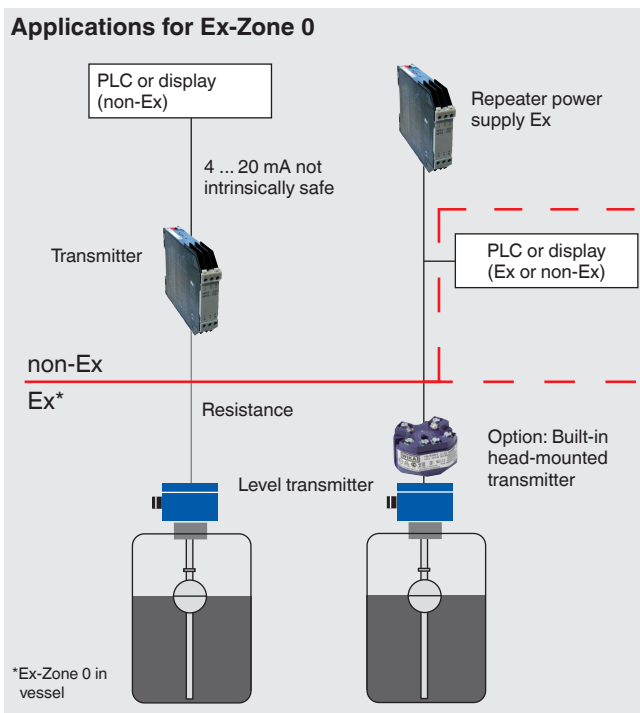
## Standard applications



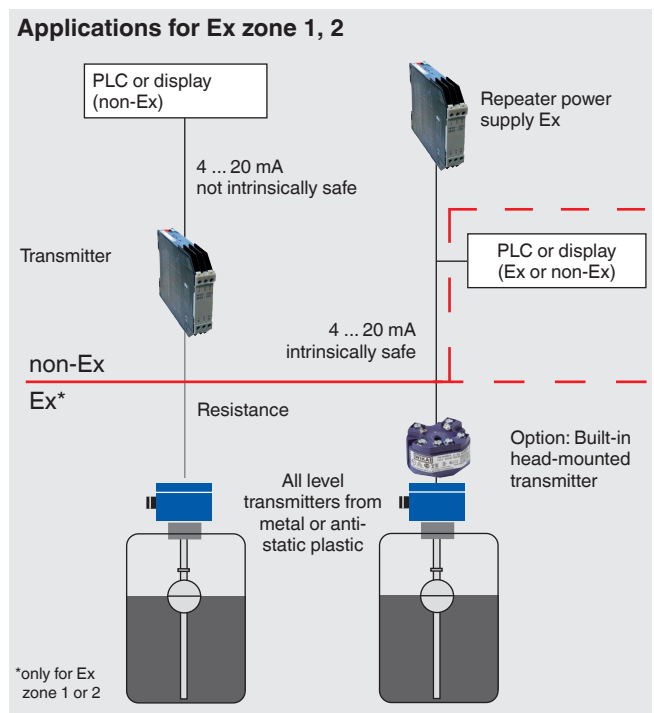
## Connection to bus systems



## Applications for Ex-Zone 0



## Applications for Ex zone 1, 2

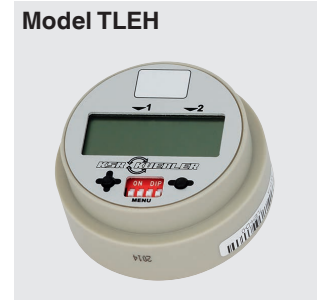


### Recommendation for intrinsically safe repeater power supplies

For applications in hazardous areas: model IS Barrier, see data sheet AC 80.14



## Head-mounted transmitter



Model	4 ... 20 mA	HART®	PROFIBUS® PA	FOUNDATION™ Fieldbus	Ex i	Display	Order no.
TE	x	-	-	-	x	-	014832
TS	x	-	-	-	-	-	005894
T32E	x	x	-	-	x	-	025216
T32S	x	x	-	-	-	-	114795
T53F	-	-	-	x	x	-	025727
T53P	-	-	x	-	x	-	034422
TLH	x	x	-	-	-	x	019989
TLEH	x	x	-	-	x	x	021104
T15	x	-	-	-	x	-	122955 122954

### Ordering information

Model / Version / Electrical connection / Process connection / Guide tube diameter / Guide tube length (insertion length) L / Contact separation / 100 % mark L1 / Measuring range M (span 0 ... 100 %) / Process specifications (operating temperature and pressure, limit density) / Options

To order the described floats and head-mounted transmitters the order number is sufficient.

© 02/2010 WIKA Alexander Wiegand SE & Co. KG, all rights reserved.  
The specifications given in this document represent the state of engineering at the time of publishing.  
We reserve the right to make modifications to the specifications and materials.

