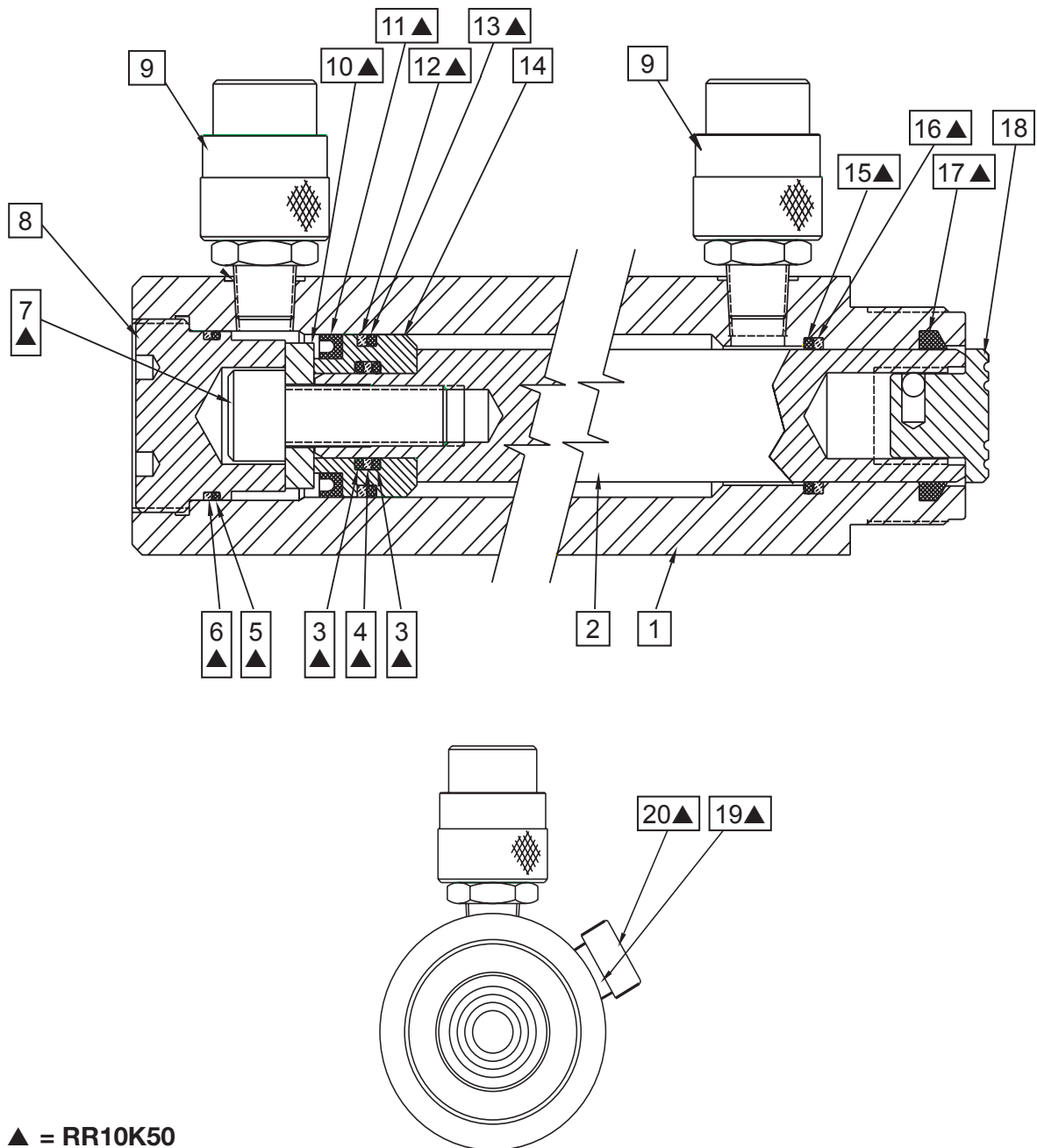


Repair Parts Sheet	Revision	Revision Date	Product Code Beginning
Reference nr. L2816	Rev.A	04/2009	B (RR1010) A (RR1012)



Repair Parts List				L 2816	
Item	Description	Qty.	RR1010	RR1012	
1	Cylinder Base	1	Not available as a spare part, order new cylinder		
2	Plunger	1	Not available as a spare part, order new cylinder		
3	Back up Washer	2	▲	▲	
4	O Ring	1	▲	▲	
5	O Ring	1	▲	▲	
6	Back up Washer	1	▲	▲	
7	Socket Head Cap Screw	1	▲	▲	
8	Cap	1	Not available as a spare part, order new cylinder		
9	Coupler	2	CR400	CR400	
10	Washer	1	▲	▲	
11	U cup	1	▲	▲	
12	Back up Washer	1	▲	▲	
13	O Ring	1	▲	▲	
14	Piston	1	Not available as a spare part, order new cylinder		
15	O Ring	1	▲	▲	
16	Back up Washer	1	▲	▲	
17	Wiper	1	▲	▲	
18	Saddle	1	A102G	A102G	
19	Relief Valve Assy	1	▲	▲	
20	Cap	1	▲	▲	
21	Caution Decall (not shown)	1	▲	▲	
22	Enerpac Decall (not shown)	1	▲	▲	
23	Dust Cap (not shown)	1	▲	▲	
24	Thread Protector (not shown)	1	▲	▲	
25	Coupler O Ring (not shown)	2	▲	▲	

▲ = Items included in and available only in repair kit RR10K50



Item nr.	Torque / Remarks
7	Secure with Loctite 242
7	27- 65 Nm 20 - 40 ft lbs
8	Secure with Loctite 222
9	34 - 81 Nm 25 - 60 ft lbs
9	Use teflon tape or Loctite 545



To maintain your warranty,
have your products inspected and repaired
by an authorised Enerpac Service Centre

www.enerpac.com