

Differential pressure gauge, models 712.15.100, 732.15.100,
optional for hazardous areas

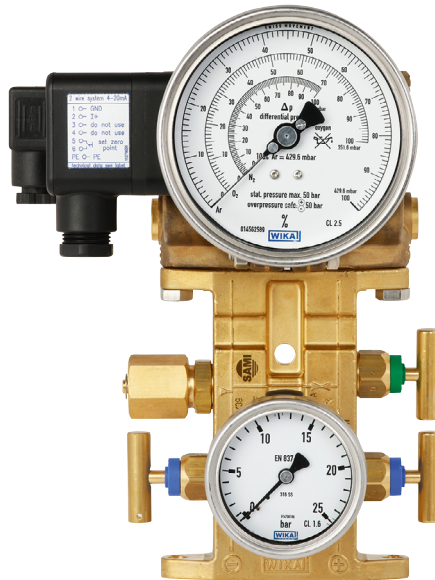
EN

Differenzdruckmanometer, Typen 712.15.100, 732.15.100,
optional für explosionsgefährdete Bereiche

DE



Cryo Gauge



Example: Model 712.15.100 with transmitter and compact valve
manifold with working pressure indication



EN	Operating instructions for models 712.15.100, 732.15.100, optional for hazardous areas	Page	3 - 28
DE	Betriebsanleitung für Typen 712.15.100, 732.15.100, optional für explosionsgefährdete Bereiche	Seite	29 - 54

© 08/2010 WIKA Alexander Wiegand SE & Co. KG
All rights reserved. / Alle Rechte vorbehalten.
WIKA® is a registered trademark in various countries.
WIKA® ist eine geschützte Marke in verschiedenen Ländern.

Prior to starting any work, read the operating instructions!
Keep for later use!

Vor Beginn aller Arbeiten Betriebsanleitung lesen!
Zum späteren Gebrauch aufbewahren!

Contents

1. General information	4
2. Safety	5
2.1 Explanation of symbols	5
2.2 Intended use	5
2.3 Improper use	6
2.4 Responsibility of the operator	6
2.5 Personnel qualification	7
2.6 Labelling, safety marks	7
2.7 Ex version.	8
2.8 Special conditions for safe use (X conditions).	9
3. Transport, packaging and storage	9
3.1 Transport	9
3.2 Packaging and storage	10
4. Commissioning, operation	10
4.1 Mechanical mounting	11
4.2 Differential pressure display.	13
4.3 Pressure gauge with working pressure indication (option)	15
4.4 Electrical connection	16
4.5 Integrated transmitter electronics (option)	20
5. Faults	23
6. Maintenance and cleaning	24
6.1 Maintenance	24
6.2 Cleaning	24
7. Dismounting, return and disposal	25
7.1 Dismounting	25
7.2 Return	25
7.3 Disposal	26
8. Specifications	27
8.1 Permissible temperature ranges	27
8.2 Differential pressure gauge	27
8.3 Integrated transmitter electronics (option)	28
Annex: EU declaration of conformity	55

Declarations of conformity can be found online at www.wika.com.

1. General information

- The instrument described in the operating instructions has been designed and manufactured using state-of-the-art technology. All components are subject to stringent quality and environmental criteria during production. Our management systems are certified to ISO 9001 and ISO 14001.
- These operating instructions contain important information on handling the instrument. Working safely requires that all safety instructions and work instructions are observed.
- Observe the relevant local accident prevention regulations and general safety regulations for the instrument's range of use.
- The operating instructions are part of the product and must be kept in the immediate vicinity of the instrument and readily accessible to skilled personnel at any time.
- Skilled personnel must have carefully read and understood the operating instructions prior to beginning any work.
- The manufacturer's liability is void in the case of any damage caused by using the product contrary to its intended use, non-compliance with these operating instructions, assignment of insufficiently qualified skilled personnel or unauthorised modifications to the instrument.
- The general terms and conditions contained in the sales documentation shall apply.
- Subject to technical modifications.
- Further information:
 - Internet address: www.wika.de / www.wika.com
 - EN 837-2 Selection and installation recommendations for pressure measuring instruments

Model	Ex version	Description	Data sheet
712.15.100, 732.15.100	Option	Differential pressure gauge	PM 07.29
891.44	No	Integrated transmitter electronics (option)	PM 07.29
892.44	Yes	Integrated transmitter electronics (option)	PM 07.29
828	No	Magnetic snap-action contact (option)	PM 07.29
212.20.100	No	Pressure gauge for working pressure indication (option)	PM 02.01
232.50.063, 232.50.100	Option	Pressure gauge for working pressure indication (option)	PM 02.02
232.30.100	Option	Pressure gauge for working pressure indication (option)	PM 02.04
A-10	No	Pressure sensor for working pressure (option)	PE 81.60
IS-3	Yes	Pressure sensor for working pressure (option)	PE 81.58

Depending on the version, observe the additionally enclosed operating instructions!

2. Safety

2.1 Explanation of symbols



WARNING!

... indicates a potentially dangerous situation that can result in serious injury or death, if not avoided.



CAUTION!

... indicates a potentially dangerous situation that can result in light injuries or damage to property or the environment, if not avoided.



DANGER!

... identifies hazards caused by electrical power. Should the safety instructions not be observed, there is a risk of serious or fatal injury.



WARNING!

... indicates a potentially dangerous situation in the hazardous area that results in serious injury or death, if not avoided.



WARNING!

... indicates a potentially dangerous situation that can result in burns, caused by hot surfaces or liquids, if not avoided.



Information

... points out useful tips, recommendations and information for efficient and trouble-free operation.

2.2 Intended use

Mechanical differential pressure measuring instruments are used for the display of levels on closed vessels, particularly in cryotechnology. Depending on the version, integrated transmitter electronics can be used to output an electrical output signal for control. An optionally mounted valve manifold facilitates commissioning and maintenance of the instrument. Optionally, the working pressure can be measured additionally with a pressure gauge or a pressure sensor.

The instrument offers many application possibilities, in particular for gaseous and liquid gases, and also for media that are non-aggressive, not highly viscous and non-crystallising.

Only use the instrument in applications that lie within its technical performance limits (e.g. temperature limits, material compatibility, ...).

→ For performance limits see chapter 8 “Specifications”

The instrument has been designed and built solely for the intended use described here, and may only be used accordingly.

The manufacturer shall not be liable for claims of any type based on operation contrary to the intended use.

2.3 Improper use



WARNING!

Injuries through improper use

Improper use of the instrument can lead to hazardous situations and injuries.

- ▶ Refrain from unauthorised modifications to the instrument.
- ▶ Do not use the instrument with abrasive or viscous media.

Any use beyond or different to the intended use is considered as improper use.

2.4 Responsibility of the operator

The instrument is used in the industrial sector. The operator is therefore responsible for legal obligations regarding safety at work.

The safety instructions within these operating instructions, as well as the safety, accident prevention and environmental protection regulations for the application area must be maintained.

The operator is obliged to maintain the product label in a legible condition.

To ensure safe working on the instrument, the operating company must ensure

- that suitable first-aid equipment is available and aid is provided whenever required.
- that the operating personnel are regularly instructed in all topics regarding work safety, first aid and environmental protection and know the operating instructions and in particular, the safety instructions contained therein.
- that the instrument is suitable for the particular application in accordance with its intended use.
- that personal protective equipment is available.



On the wetted parts of the instrument, small residual amounts of the adjustment medium (e.g. compressed air, water, oil) can adhere from production. With increased requirements for technical cleanliness, suitability for the application must be checked by the operator before commissioning.

2.5 Personnel qualification



WARNING!

Risk of injury should qualification be insufficient!

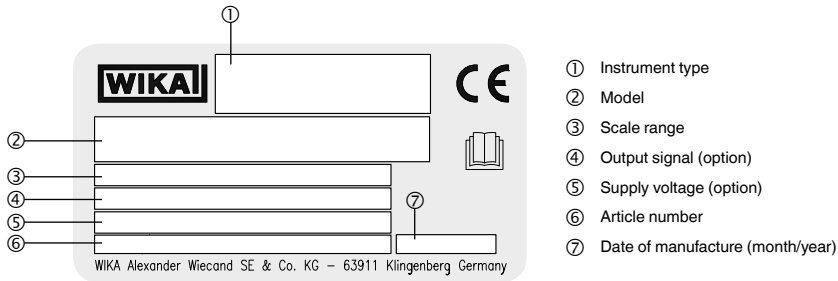
Improper handling can result in considerable injury and damage to property. The activities described in these operating instructions may only be carried out by skilled personnel who have the qualifications described below.

Skilled personnel

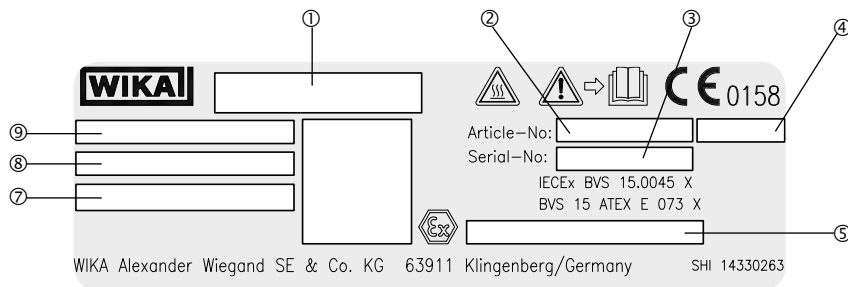
Skilled personnel are understood to be personnel who, based on their technical training, knowledge of measurement and control technology and on their experience and knowledge of country-specific regulations, current standards and directives, are capable of carrying out the work described and independently recognising potential hazards.

2.6 Labelling, safety marks

Product label for differential pressure gauge, non-Ex version (example)



Product label for differential pressure gauge, Ex version (example)



- | | |
|------------------------------------|------------------|
| ① Model + transmitter electronics | ⑤ Ex marking |
| ② Article number | ⑥ Supply voltage |
| ③ Serial number | ⑦ Output signal |
| ④ Date of manufacture (month/year) | ⑧ Scale range |



Before mounting and commissioning the instrument, ensure you read the operating instructions!



Risk of burns!

Potentially dangerous situation caused by hot surfaces.



The instrument bearing this mark is a safety pressure gauge with a solid baffle wall in accordance with EN 837, safety version "S3".



Do not dispose of with household waste. Ensure a proper disposal in accordance with national regulations.

2.7 Ex version

The Ex version of the models 712.15.100 and 732.15.100 consists exclusively of a mechanical differential pressure gauge with integrated transmitter electronics, model 892.44.



DANGER!

Danger to life due to loss of explosion protection

Non-observance of these instructions and their contents may result in the loss of explosion protection.

- ▶ Observe the safety instructions in this chapter and further explosion protection instructions in these operating instructions.
- ▶ Observe the information given in the applicable type examination certificate and the relevant country-specific regulations for installation and use in hazardous areas (e.g. IEC 60079-14, NEC, CEC).

Check whether the classification is suitable for the application. Observe the relevant national regulations.

Ex marking

ATEX

IECEx

II 2G Ex ia IIC T4/T5/T6 Gb

Permissible temperature range

For determining the maximum temperature at the instrument, besides the medium temperature also other influences such as the ambient temperature and, if applicable, the solar irradiation must be taken into account.

Required temperature class (ignition temperature)	Permissible temperature range at the instrument
T6 and T5	-40 ... +60 °C
T4	-40 ... +80 °C

The installation should be made in such a way that the temperature range of the instrument, also considering the effects of convection and thermal radiation, neither exceeds nor falls below the permissible limits.

The permissible temperature ranges must not be exceeded at the instrument either. If necessary, measures for cooling (e.g. syphon, instrumentation valve) have to be taken.

2.8 Special conditions for safe use (X conditions)

1. Safe use of the instrument requires observance of all data given in the chapters of these operating instructions, in particular the data regarding the Ex version.
2. The Ex version of the instrument can be used in the following **ambient temperature range T_a** :
 - 40 °C $\leq T_a \leq$ +60 °C for temperature class T6 and T5
 - 40 °C $\leq T_a \leq$ +80 °C for temperature class T4
3. The permissible **medium temperature range T_m** must be observed on the instrument:
 - 40 °C $\leq T_m \leq$ +60 °C for oxygen
 - 40 °C $\leq T_m \leq$ +60 °C for temperature class T6 and T5
 - 40 °C $\leq T_m \leq$ +80 °C for temperature class T4

3. Transport, packaging and storage

3.1 Transport

Check the instrument for any damage that may have been caused by transport. Obvious damage must be reported immediately.



CAUTION!

Damage through improper transport

With improper transport, a high level of damage to property can occur.

- ▶ When unloading packed goods upon delivery as well as during internal transport, proceed carefully and observe the symbols on the packaging.
- ▶ With internal transport, observe the instructions in chapter 3.2 "Packaging and storage".

3.2 Packaging and storage

Do not remove packaging until just before mounting.

Keep the packaging as it will provide optimum protection during transport (e.g. change in installation site, sending for repair).

Permissible conditions at the place of storage:

Storage temperature: -20 ... +60 °C

Avoid exposure to the following factors:

- Direct sunlight or proximity to hot objects
- Mechanical vibration, mechanical shock (putting it down hard)
- Soot, vapour, dust and corrosive gases
- Hazardous environments, flammable atmospheres

EN

Store the instrument in its original packaging in a location that fulfils the conditions listed above.

4. Commissioning, operation

Personnel: Skilled personnel

Before installation, commissioning and operation, ensure that the appropriate instrument has been selected in terms of scale range, design and specific measuring conditions.



DANGER!

Danger to life from explosion!

Through working in flammable atmospheres, there is a risk of explosion which can cause death.

- ▶ Only carry out set-up work in non-hazardous environments!



WARNING!

Physical injuries and damage to property and the environment caused by hazardous media

Upon contact with hazardous media (e.g. oxygen, acetylene, flammable or toxic substances), harmful media (e.g. corrosive, toxic, carcinogenic, radioactive), there is a danger of physical injuries and damage to property and the environment.

Should a failure occur, aggressive media with extremely high temperature and under high pressure may be present at the instrument.

- ▶ For these media, in addition to all standard regulations, the appropriate existing codes or regulations must also be followed.
- ▶ Wear the requisite protective equipment.



WARNING!

Physical injuries and damage to property and the environment caused by media escaping under high pressure

With the pressurisation of the instrument, as a result of poor sealing of the process connection, media under high pressure can escape.

Due to the high energy of the media that can escape in the event of a failure, the possibility of physical injuries and damage to property exists.

- ▶ The sealing of the process connection must be carried out expertly and checked for leak tightness.

Requirements for the installation point

If the line to the measuring instrument is not adequately stable, an instrument mounting bracket should be used for fastening. The instruments should be protected against coarse dirt and wide fluctuations in ambient temperature.

4.1 Mechanical mounting

The installation of the differential pressure gauge is made following the installation recommendations for pressure measuring instruments in accordance with EN 837-2 /7.

- Prior to the installation, clean the measuring lines thoroughly by tapping and blowing or flushing.
- Mount and operate the instruments free from vibration
Fasten them using rigid measuring lines and/or 4 M8 mounting holes in the measuring flange.
- Protect pressure gauges from contamination and high temperature changes.
- The maximum permissible medium/ambient temperature must not be exceeded.
- Mounting of the process connection according to affixed symbols \oplus and \ominus .
 \oplus high pressure \Rightarrow bottom pressure (p_B)
 \ominus low pressure \Rightarrow working pressure/overlay pressure (p_D)

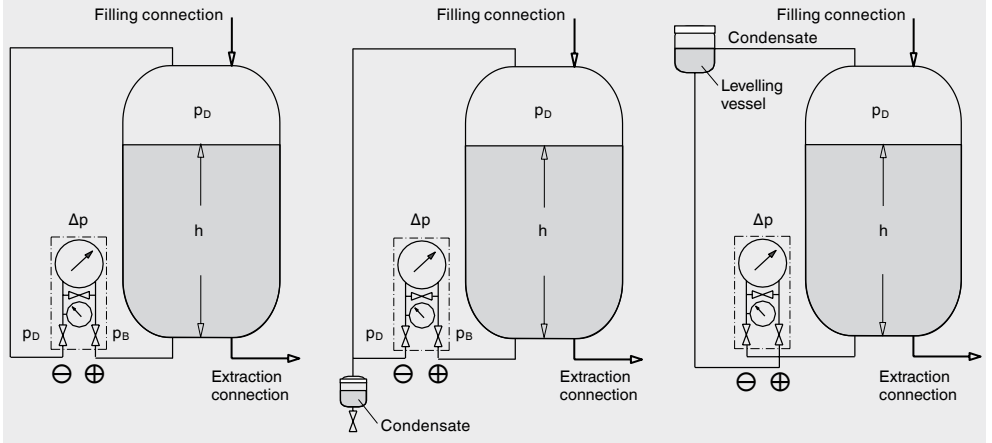
$$p_B = p_{FL} + p_D$$

(where p_{FL} = hydrostatic pressure of the liquid = $r \cdot g \cdot h$)

Mounting types for level measurement

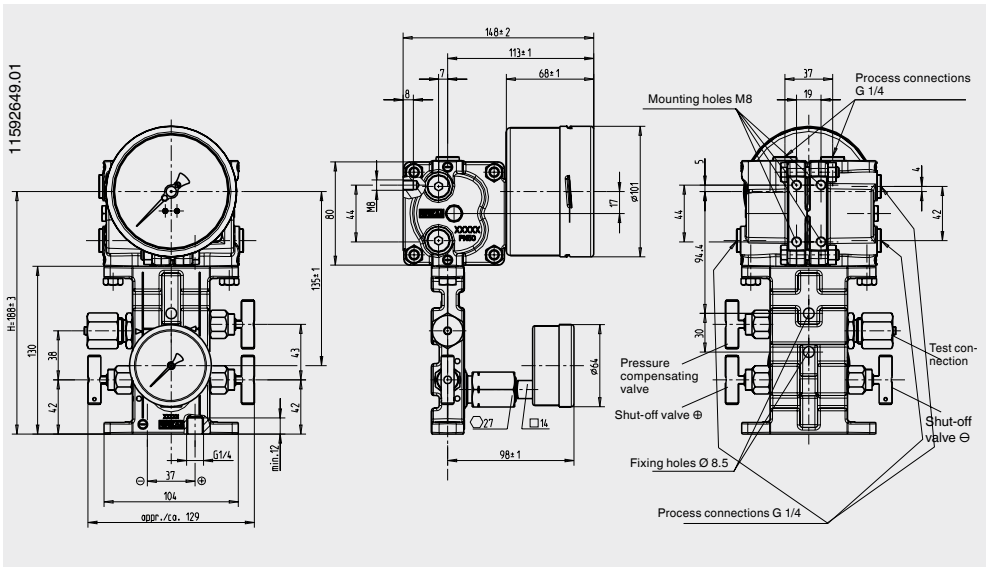
Standard for cryo containers (liquefied gases)

2 examples for containers with separate condensate vessel

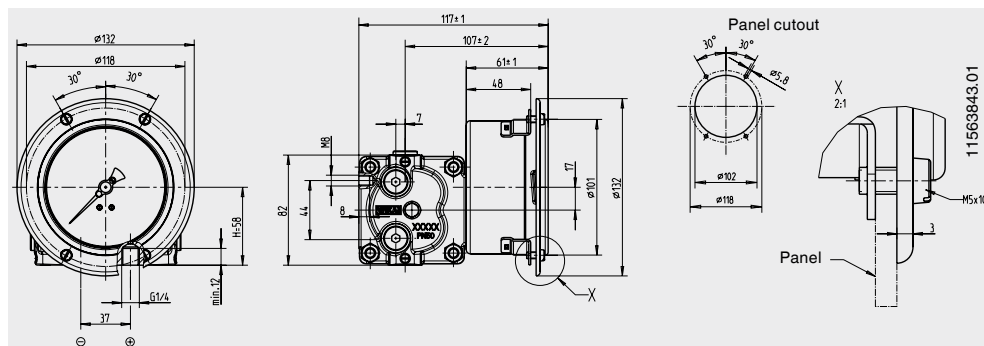


Wall mounting

Fasten to 4 M8 mounting holes or using 2 fixing holes of Ø 8.5 mm



Panel mounting (option)



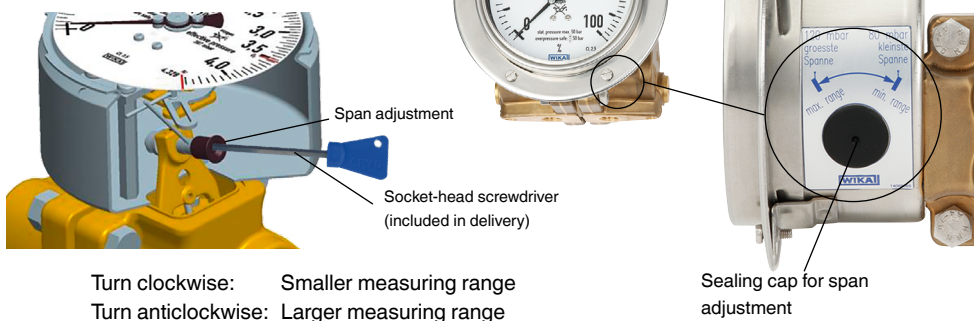
4.2 Differential pressure display

The measuring span of the differential pressure gauge can, depending on the measuring cell, be adjusted within the measuring range limits given in the table. Ideally, this adjustment should be made on a test bench, though it can also be carried out at the measuring point using a hand test pump.

Measuring range limits

Measuring cell	Adjustable scale ranges	
	from	to
60 mbar	0 ... 40 mbar	0 ... 60 mbar
90 mbar	0 ... 60 mbar	0 ... 90 mbar
120 mbar	0 ... 80 mbar	0 ... 120 mbar
165 mbar	0 ... 110 mbar	0 ... 165 mbar
240 mbar	0 ... 160 mbar	0 ... 240 mbar
330 mbar	0 ... 220 mbar	0 ... 330 mbar
480 mbar	0 ... 320 mbar	0 ... 480 mbar
660 mbar	0 ... 440 mbar	0 ... 660 mbar
975 mbar	0 ... 650 mbar	0 ... 975 mbar
1,350 mbar	0 ... 900 mbar	0 ... 1,350 mbar
1,725 mbar	0 ... 1,150 mbar	0 ... 1,725 mbar

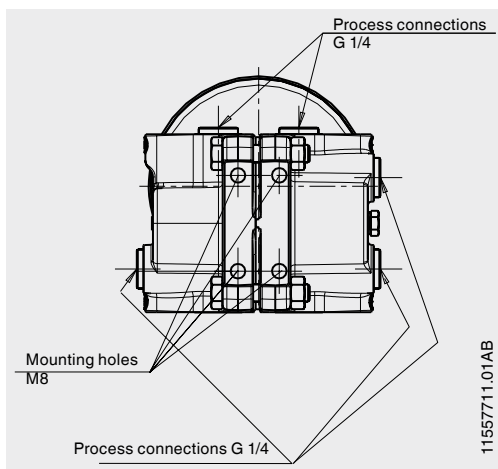
Span adjustment



1. The span adjustment, situated at the 4 o'clock point on the case circumference, is accessible by removing the sealing cap.
2. Pressurise the instrument to the desired nominal pressure.
3. Insert a socket-head screwdriver (SW 3 mm) into the funnel guide, and adjust the pointer to the end value by turning it clockwise (smaller measuring range) or anti-clockwise (larger measuring range). The instrument will then be fully adjusted to the required measuring range.
4. If the instrument is equipped with a model 89x.44 transmitter, then this procedure will also adjust the output signal to the new measuring range.
5. After completing the adjustment the instrument should be re-sealed with the sealing cap.

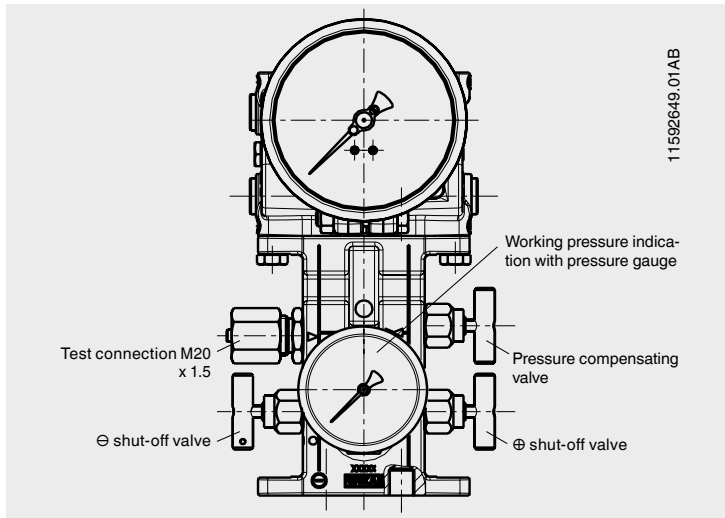
Additional process connections

- Three additional G 1/4 female threads on the minus media chamber (right measuring cell flange when viewing the instrument from behind), e.g. for connecting a pressure switch, safety valve or a model A-10 or IS-3 pressure sensor
- Two G 1/4 female threads on the plus media chamber (left measuring cell flange when viewing the instrument from behind), e.g. for recalibration



4.3 Pressure gauge with working pressure indication (option)

Expansion with a compact valve manifold with pressure gauge connectable via a flange allows, in addition to the level detection, the measurement of the working pressure at a central measuring point.



Pressure gauge for working pressure indication (option)

Non-Ex version: Model 212.20.100

Ex version: Models 232.50.63, 232.50.100, 232.30.100

Functions of valve manifold

- Shut-off of the process line without interrupting operations:
 - For instrument mounting and testing
 - For protecting the instrument from impermissible overpressure load of n-times rated pressure of the plant
- Protection of the instrument against pressure surges and shocks and thus against unspecified operating conditions
- Instrument shutdown, for example, if measurements are only sporadically required over prolonged operating periods (to increase the service life of the instrument at high pressure change frequency)
- Recalibration of the differential pressure gauge (level indication)
 1. Close shut-off valves for ⊕ and ⊖ side
 2. Then open pressure compensating valve, wait for a short period and close the pressure compensating valve again
 3. The pressure standard and pressure generator are connected in the plus chamber of the measuring system via an additional G ¼ female thread.
 4. In the valve manifold, remove the test connection screw on the ⊖ side

5. The plus side can now be pressurised

After completed adjustment:

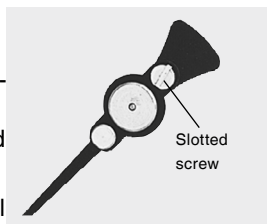
- Close test connection screw again
- Remove pressure standard and pressure generator again and seal connection
- Slowly open first \oplus shut-off valve, then \ominus shut-off valve

■ M20 x 1.5 test connection for checking the measuring instrument for the working pressure. The pressure compensating valve allows a zero point check during operation (with the valve open).

1. Close shut-off valves for \oplus and \ominus side
2. Then open the pressure compensating valve

■ The medium will flow from the higher pressure side to the opposite side, the differential pressure on the instrument falling to zero (differential pressure display must be at zero, i.e. within the zero tolerance range, which shows that the instrument is working correctly).

■ In case of deviation, the zero point can be set via the adjustable pointer installed as standard (prior to that, loosen bayonet ring and remove window and sealing). The zero point setting is achieved by turning the slotted screw on the adjustable pointer. After completed zero point setting, re-fit bayonet ring plus window and sealing and close pressure compensating valve.



■ For versions with integrated transmitter electronics, the electrical zero point must be set.

3. Close pressure compensating valve again.
4. Slowly open first \oplus shut-off valve, then \ominus shut-off valve.

Adapter for process connection (option)

The adapters can be flange mounted either directly to the differential pressure gauge or to the valve manifold.

4 different process connections are available:

- 2 x G $\frac{1}{2}$, female, centre distance 31 mm or 54 mm
- 2 x $\frac{1}{4}$ NPT, female, centre distance 31 mm or 54 mm



With a single order, all parts necessary for the fitting to the differential pressure gauge or to the valve manifold are included in the delivery:

- 2 x hexagon screws M8 x 16
- 2 x hexagon screws M8 x 28
- 2 x nut M8
- 2 x O-ring sealing

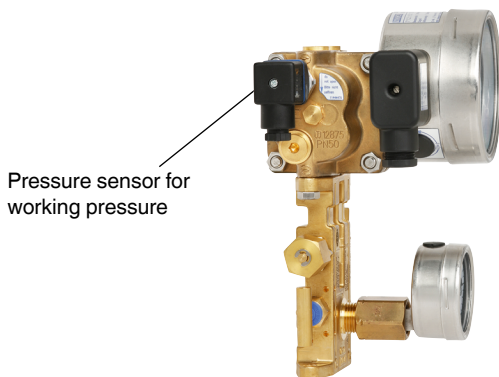
4.4 Electrical connection

The electrical connection must only be made by qualified skilled personnel. The instrument must be connected to the equipotential bonding of the plant.

Pressure sensor for working pressure (option)

Non-Ex version: Model A-10

Ex version: Model IS-3



Pressure sensor for working pressure

The pressure sensors for the working pressure are screwed in sideways, on the left side of the \ominus media chamber and can, if necessary, be retrofitted on site.

Pressure connection of the pressure sensor: G 1/4 male

EN

Specifications	A-10	IS-3
Data sheet	PE 81.60	PE 81.58
For Ex area	No	Yes, intrinsically safe
Measuring ranges	0 ... 2.5 bar to 0 ... 60 bar	0 ... 2.5 bar to 0 ... 60 bar
Outputs	4 ... 20 mA	4 ... 20 mA (repeater power supply)
Medium temperature	-30 ... +100 °C	-20 ... +60 °C
Ambient temperature	-30 ... +80 °C	-20 ... +60 °C
Wetted parts	Stainless steel	Stainless steel
Supply voltage U_B	DC 10 V < U_B ≤ 30 V	DC 10 V < U_B ≤ 30 V
Permissible max. load R_A	$R_A \leq (U_B - 8 \text{ V}) / 0.02 \text{ A}$	$R_A \leq (U_B - 10 \text{ V}) / 0.02 \text{ A}$
Accuracy, best fit straight line, BFSL	≤ 0.5 % of span	≤ 0.2 % of span
Compensated temperature range	0 ... +80 °C	0 ... +60 °C
Designation of connection terminals, 2-wire		

Please observe the separately enclosed operating instructions for each pressure sensor!

Magnetic snap-action contacts (option)

Electrical switch contacts for level indicators and/or working pressure open circuits as a function of the pointer position of the indicating measuring instruments.

Version

Single and double magnetic snap-action contact, model 828

The modular switch contact is an add-on unit, which can be built onto the pressure gauge within a few minutes. The switch contacts provide IP65 ingress protection. The connection to the actual value pointer is made by means of a special yoke so that a carrier pin at the pointer itself is not needed. Due to this simple mounting, the instrument can be converted into a contact pressure gauge extremely quickly and at low cost.

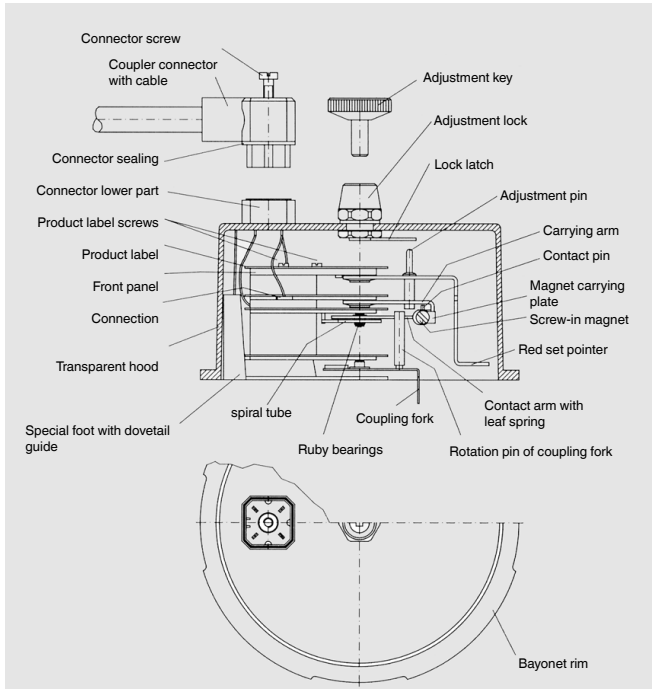
The switch contacts mainly comprise:

- the already wired switch contact equipped with a special foot and a fork coupling
- a transparent hood (polycarbonate) with dovetail guide into which the switch contact containing the special foot is slid and fastened by means of a cross-head screw
- a connector lower part (4-pin) moulded or welded to the transparent hood
- an adjustment lock mounted in the centre of the transparent hood

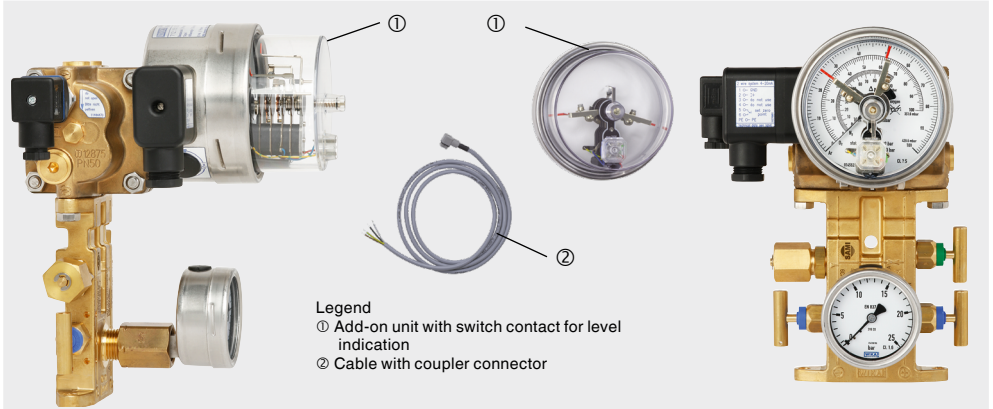
The set value pointer of the installed switch contacts are adjusted, from the outside, to the value at which the switching operation is to take place, using the adjustment lock with a separate or integral key.

The switch contacts are designed to allow the instrument pointer to move beyond the adjusted actual value pointer after contact actuation takes place, with the contact remaining actuated.

This design guarantees a stable switching status corresponding to the position of the actual value pointer in case of power failure.



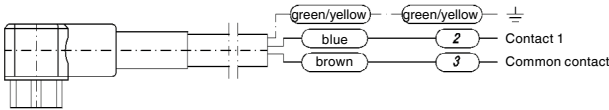
Mounting of the switch contacts



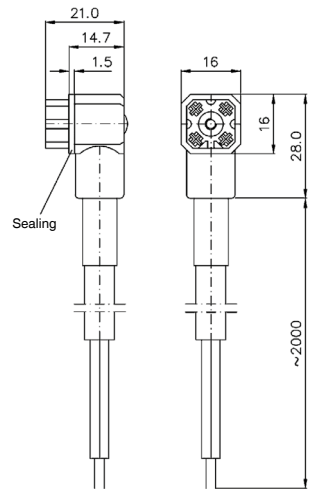
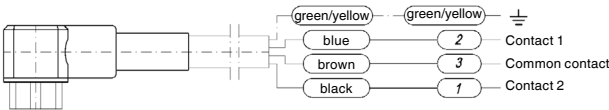
EN

Pin assignment

■ Single contact, NS 100



■ Double contact, NS 100



4.5 Integrated transmitter electronics (option)

Non-Ex version: Model 891.44

Ex version: Model 892.44

See chapter 8 “Specifications”

EN

WIKA differential pressure gauges with an integrated model 89x.44 transmitter combine all the advantages of an on-site mechanical display with the demands modern industry makes for electrical signal transmission for the acquisition of measured values.

The transmitter electronics are integrated into the case of the level indicator. The measuring span (electrical output signal) is adjusted automatically with the mechanical display, i.e. the scale over 270 angular degrees corresponds to 4 ... 20 mA (see differential pressure display).

Supply voltage non-Ex version

Suitable supply voltage

Model KFA6-STR-1.24.500, AC 115/230 V, for DIN rail, order number: 7305636

Supply voltage Ex version

The instrument must only be used in conjunction with a corresponding Ex repeater power supply.

Suitable Ex repeater power supplies:

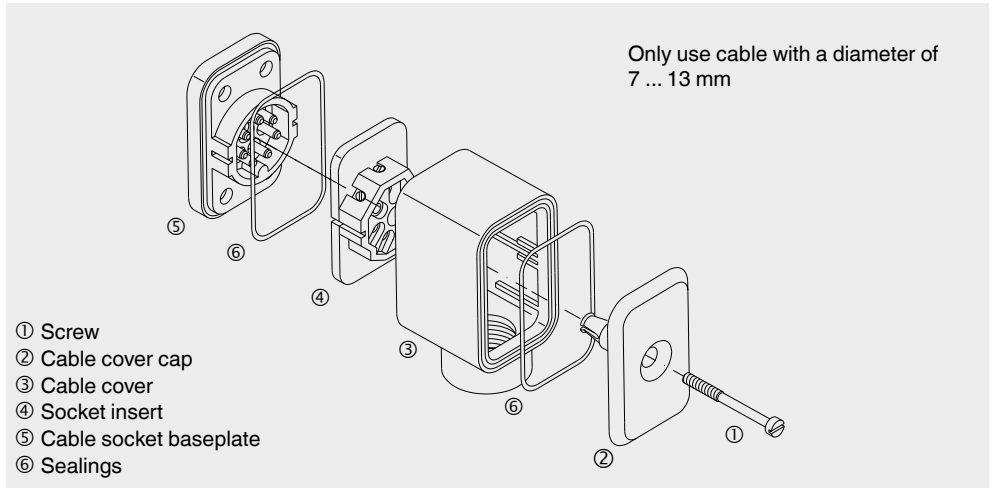
- Model KFD2-STC4-Ex1, DC 20 ... 35 V, for DIN rail, order number: 2341268
- Model IS Barrier, DC 19,2 ... 30 V, for DIN rail, order number: 14117118

Safety instructions for installation

- Install instruments in accordance with the manufacturer's instructions and the valid standards and regulations.
- Only connect circuits with the same voltage and type of protection to the connection leads of the instrument.
- Size the connection leads for the largest current strength in the circuits and ensure sufficient UV resistance and mechanical stability.
- With flexible connection leads, use isolated end splices. Max. permissible conductor cross-section 1.5 mm².
- Connecting cables must be suited to the ambient temperature range of the application.
- The connection leads must also be suitable for the supplied cable gland (for diameter range, see below).
- Seal the cable entry with the appropriate approved cable glands.
- Install the connection cables securely.

Dismounting cable socket

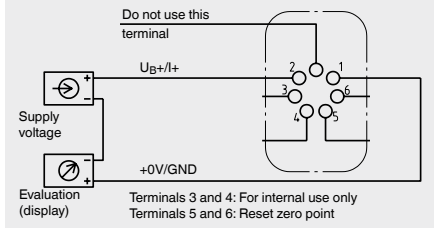
The cable socket is prefitted and must be dismantled as described below.



- Fully loosen the screws on the cable cover cap with a slotted screwdriver (0.6 x 3.5 mm) and remove them.
- Pull the cable cover, along with the socket insert, out from the cable socket baseplate (joined permanently with the instrument).
- Take the cable cover cap and push the socket insert out, downwards, completely through the cable cap.

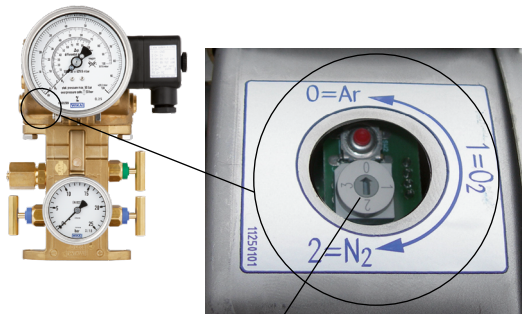
Pin assignment cable socket

4 ... 20 mA, 2-wire



With **multiple scales** or replaceable plug-in scales (option), the output signal of 4 ... 20 mA corresponding to each scale can be stored in a microprocessor.

The output signal can be changed over to the desired fluid type by rotating the optional **BCD switch** (accessible through a sealing cap on the left side of the case) using a screwdriver.



BCD switch (scale selection switch) and zero point key (sealing cap removed)

Electrical zero point with BCD switch option

If a zero point adjustment is required (e.g. after mechanical zero point setting), the instrument must first be de-energised (pull the plug). Afterwards re-establish the voltage supply (insert the plug) and press the zero point button for approx. 1 second within 30 seconds.

Electrical zero point without BCD switch option

If the mechanical zero point has been altered via the adjustable pointer, the electrical zero point must be matched to the mechanical one. To do this, apply the pressure value of the scale start. The scale start corresponds to the smallest electrical signal.

With a small piece of stranded wire (maximum permissible resistance 30 Ω), stripped at both ends, bridge terminals 5 and 6 on the socket insert.

Mounting cable socket

- Connect the socket insert to the cable cover and assemble the cable cover cap with the sealing and screw (see cable socket drawing).
- Insert the assembly, which has just been assembled, onto the cable socket baseplate with sealing.
- Screw the screws on the cable cover cap in fully with a slotted screwdriver (0.6 x 3.5 mm).



In order that the ingress protection is maintained, the seals must be refitted.

After switching on the supply voltage, within a max. 30 seconds, the new zero point will be saved in the transmitter electronics. As a check, during this time, a current increase to 9.5 mA can be measured in the current loop on a display unit (e.g. ammeter).

- Switch off supply voltage and display unit.
- Carry out the “Dismounting cable socket” described above.
- Remove the stranded wire for bridging terminals 5 and 6 from the socket insert.
- Carry out the “Mounting cable socket” described above.

The electrical output signal will once more match the display of the mechanical pointer. Close all valves opened for the zero point setting again.

5. Faults

Faults	Causes	Measures
No input pressure.	Pressure compensating valve open.	Close the pressure compensating valve.
No output signal.	Insufficient supply voltage or cable break.	Check voltage supply and cables.
	Wrong pin assignment.	Check pin assignment.
	Defective transmitter electronics due to overvoltage.	Replace instrument.
Constant output signal upon change in pressure	Pressure port blocked at process connection.	Clean pressure port at process connection.
	Supply voltage connected the wrong way. ($I = \text{ca. } 4.5 \text{ mA}$).	Check pin assignment.
	Defective transmitter electronics	Replace instrument.
Too high, constant output signal upon change in pressure.	Bridge on terminals 5 and 6 not removed ($I = \text{approx. } 9.5 \text{ mA}$).	Remove the terminal bridge. Set the zero point.
	Defective transmitter electronics due to overvoltage.	Replace instrument.
Signal span too small.	Insufficient supply voltage.	Check voltage supply and cables.
	Load too high.	Maintain permissible load.
	Zero point maladjusted.	Set the zero point.
Zero point signal too low or too high.	Zero point maladjusted.	Set the zero point.
	Mechanical overload	Replace instrument.

For the replacement of the instrument chapters 7 “Dismounting, return and disposal” and 4 “Commissioning, operation” must be observed.

6. Maintenance and cleaning

6.1 Maintenance

The instruments are maintenance-free.

The indicator and switching function should be checked once or twice every year. For this the instrument must be disconnected from the process to check with a pressure testing device.



WARNING!

Danger to life due to impermissible filling of the instrument with loss of explosion protection

The filling of instruments leads to a loss of the explosion protection and can lead to damage to the instrument.

- ▶ If a return is needed, please follow the instructions given in chapter 7.2 "Return".

Repairs must only be carried out by the manufacturer.

6.2 Cleaning



CAUTION!

Physical injuries and damage to property and the environment

Improper cleaning may lead to physical injuries and damage to property and the environment. Residual media in the dismantled instrument can result in a risk to persons, the environment and equipment.

- ▶ Carry out the cleaning process as described below.

1. Before cleaning, correctly disconnect the instrument from the pressure supply, switch it off and disconnect it from the mains.
2. Use the requisite protective equipment.
3. Clean the instrument with a moist cloth.

Electrical connections must not come into contact with moisture!



CAUTION!

Damage to the instrument

Improper cleaning may lead to damage to the instrument!

- ▶ Do not use any aggressive cleaning agents.
- ▶ Do not use any hard or pointed objects for cleaning.

4. Wash or clean the dismantled instrument, in order to protect persons and the environment from exposure to residual media.

7. Dismounting, return and disposal



WARNING!

Physical injuries and damage to property and the environment through residual media

Residual media in the dismantled instrument can result in a risk to persons, the environment and equipment.

- ▶ Wear the requisite protective equipment.
- ▶ Observe the information in the material safety data sheet for the corresponding medium.
- ▶ Wash or clean the dismantled instrument, in order to protect persons and the environment from exposure to residual media.

EN

7.1 Dismounting



DANGER!

Danger to life caused by electric current

Upon contact with live parts, there is a direct danger to life.

- ▶ The dismantling of the instrument may only be carried out by skilled personnel.
- ▶ Remove the instrument once the system has been isolated from power sources.



WARNING!

Physical injury

When dismantling, there is a danger from aggressive media and high pressures.

- ▶ Observe the information in the material safety data sheet for the corresponding medium.
- ▶ Dismount the instrument when there is no pressure.

7.2 Return

Strictly observe the following when shipping the instrument:

All instruments delivered to WIKA must be free from any kind of hazardous substances (acids, bases, solutions, etc.) and must therefore be cleaned before being returned.



WARNING!

Physical injuries and damage to property and the environment through residual media

Residual media in the dismantled instrument can result in a risk to persons, the environment and equipment.

- ▶ With hazardous substances, include the material safety data sheet for the corresponding medium.
- ▶ Clean the instrument, see chapter 7.2 "Cleaning".

When returning the instrument, use the original packaging or a suitable transport packaging.



Information on returns can be found under the heading “Service” on our local website.

7.3 Disposal

EN Incorrect disposal can put the environment at risk. Dispose of instrument components and packaging materials in an environmentally compatible way and in accordance with the country-specific waste disposal regulations.



Do not dispose of with household waste. Ensure a proper disposal in accordance with national regulations.

8. Specifications

8.1 Permissible temperature ranges

Non-Ex version

Models 712.15.100 and 732.15.100 optionally with model 891.44

Ambient	-40 ... +60 °C with oxygen -40 ... +80 °C
Medium	-40 ... +60 °C with oxygen -40 ... +80 °C

EN

Ex version

Models 712.15.100 and 732.15.100 with model 892.44

Ambient	-40 ... +60 °C for temperature class T6 and T5 -40 ... +80 °C for temperature class T4
Medium	-40 ... +60 °C with oxygen -40 ... +60 °C for temperature class T6 and T5 -40 ... +80 °C for temperature class T4

8.2 Differential pressure gauge

Models 712.15.100 and 732.15.100

Nominal size	NS 100 (level indication)
Max. working pressure (static pressure)	50 bar
Overload safety	either side up to 50 bar
Ingress protection	IP65 per EN/IEC 60529
Process connections (wetted)	2 x G 1/4 (optional: 2 x 1/4 NPT), female, lower mount (LM), centre distance 37 mm Option: Adapter for process connection
Measuring cell flanges (wetted)	Model 712.15: Copper alloy CW614N (CuZn39Pb3) Model 732.15: Stainless steel 316L
Pressure elements (wetted)	Compression spring, stainless steel 1.4310 Separating diaphragm, NBR Transmission parts, stainless steel 1.4301 and 1.4305
Movement	Wear parts stainless steel
Dial	White aluminium (see section "Scale designs")
Pointer	Adjustable pointer, black aluminium
Case / slip-on bezel	Stainless steel, with bayonet ring
Window	Polycarbonate (PC)

8.3 Integrated transmitter electronics (option)

Specifications	Models 891.44 and 892.44 (Ex version)
Supply voltage U_B	Non-Ex version, model 891.44: DC $12\text{ V} < U_B \leq 30\text{ V}$ Ex version, model 892.44: DC $14\text{ V} < U_B \leq 30\text{ V}$
Influence of supply voltage	$\leq 0.1\%$ of full scale/10 V
Permissible residual ripple	$\leq 10\%$ ss
Output signal	4 ... 20 mA, 2-wire
Permissible max. load R_A	$R_A \leq (U_B - 12\text{ V})/0.02\text{ A}$ with R_A in Ω and U_B in V, however max. 600 Ω
Effect of load	$\leq 0.1\%$ of full scale
Adjustability	
Electrical zero point	by bridging terminals 5 and 6 or with BCD switch option via key ¹⁾
Scale selection (option)	4 scales selectable via BCD switch
Linear error	$\leq 1.0\%$ of span (terminal method)
Compensated temperature range	-40 ... +80 °C
Temperature coefficients in the compensated temperature range	
Mean TC zero point	$\leq 0.3\%$ of span/10 K
Mean TC span	$\leq 0.3\%$ of span/10 K
Electrical connection	Cable socket PA 6, black Per VDE 0110 insulation group C/250 V Cable gland M20 x 1.5 Strain relief 6 screw terminals + PE for conductor cross-section 2.5 mm ²
Electrical safety	Protection against reverse polarity and overvoltage
Ingress protection	IP65 per EN/IEC 60529
Safety-related maximum values for Ex version, model 892.44	
Supply voltage U_i	DC 14 ... 30 V
Short-circuit current I_i	$\leq 100\text{ mA}$
Power P_i	$\leq 720\text{ mW}$
Internal capacitance C_i	17.5 nF
Internal inductance L_i	negligible

1) Only possible within 30 seconds of connecting the voltage supply

Inhalt

1. Allgemeines	30
2. Sicherheit	31
2.1 Symbolerklärung	31
2.2 Bestimmungsgemäße Verwendung	31
2.3 Fehlgebrauch	32
2.4 Verantwortung des Betreibers	32
2.5 Personalqualifikation	33
2.6 Beschilderung, Sicherheitskennzeichnungen.	33
2.7 Ex-Ausführung	34
2.8 Besondere Bedingungen für die sichere Verwendung (X-Conditions).	35
3. Transport, Verpackung und Lagerung	35
3.1 Transport	35
3.2 Verpackung und Lagerung	35
4. Inbetriebnahme, Betrieb	36
4.1 Mechanische Montage	37
4.2 Differenzdruckanzeige	39
4.3 Ventilblock mit Betriebsdruckanzeige (Option)	41
4.4 Elektrischer Anschluss	42
4.5 Integrierte Transmitterelektronik (Option)	46
5. Störungen	49
6. Wartung und Reinigung	50
6.1 Wartung	50
6.2 Reinigung.	50
7. Demontage, Rücksendung und Entsorgung	51
7.1 Demontage	51
7.2 Rücksendung	51
7.3 Entsorgung	52
8. Technische Daten	53
8.1 Zulässige Temperaturbereiche	53
8.2 Differenzdruckmanometer	53
8.3 Integrierte Transmitterelektronik (Option)	53
Anlage: EU-Konformitätserklärung	55

Konformitätserklärungen finden Sie online unter www.wika.de.

1. Allgemeines

- Das in der Betriebsanleitung beschriebene Gerät wird nach den neuesten Erkenntnissen konstruiert und gefertigt. Alle Komponenten unterliegen während der Fertigung strengen Qualitäts- und Umweltkriterien. Unsere Managementsysteme sind nach ISO 9001 und ISO 14001 zertifiziert.
- Diese Betriebsanleitung gibt wichtige Hinweise zum Umgang mit dem Gerät. Voraussetzung für sicheres Arbeiten ist die Einhaltung aller angegebenen Sicherheitshinweise und Handlungsanweisungen.
- Die für den Einsatzbereich des Gerätes geltenden örtlichen Unfallverhütungsvorschriften und allgemeinen Sicherheitsbestimmungen einhalten.
- Die Betriebsanleitung ist Produktbestandteil und muss in unmittelbarer Nähe des Gerätes für das Fachpersonal jederzeit zugänglich aufbewahrt werden.
- Das Fachpersonal muss die Betriebsanleitung vor Beginn aller Arbeiten sorgfältig durchgelesen und verstanden haben.
- Die Haftung des Herstellers erlischt bei Schäden durch bestimmungswidrige Verwendung, Nichtbeachten dieser Betriebsanleitung, Einsatz ungenügend qualifizierten Fachpersonals sowie eigenmächtiger Veränderung am Gerät.
- Es gelten die allgemeinen Geschäftsbedingungen in den Verkaufsunterlagen.
- Technische Änderungen vorbehalten.
- Weitere Informationen:
 - Internet-Adresse: www.wika.de / www.wika.com
 - EN 837-2 Auswahl- und Einbauempfehlungen für Druckmessgeräte

Typ	Ex-Ausführung	Beschreibung	Datenblatt
712.15.100, 732.15.100	Option	Differenzdruckmanometer	PM 07.29
891.44	Nein	Integrierte Transmitterelektronik (Option)	PM 07.29
892.44	Ja	Integrierte Transmitterelektronik (Option)	PM 07.29
828	Nein	Magnetspringkontakt (Option)	PM 07.29
212.20.100	Nein	Manometer für Betriebsdruckanzeige (Option)	PM 02.01
232.50.063, 232.50.100	Option	Manometer für Betriebsdruckanzeige (Option)	PM 02.02
232.30.100	Option	Manometer für Betriebsdruckanzeige (Option)	PM 02.04
A-10	Nein	Drucksensor für Betriebsdruck (Option)	PE 81.60
IS-3	Ja	Drucksensor für Betriebsdruck (Option)	PE 81.58

Je nach Ausführung die zusätzlich beigelegte(n) Betriebsanleitung(en) beachten!

2. Sicherheit

2.1 Symbolerklärung

**WARNUNG!**

... weist auf eine möglicherweise gefährliche Situation hin, die zum Tod oder zu schweren Verletzungen führen kann, wenn sie nicht gemieden wird.

**VORSICHT!**

... weist auf eine möglicherweise gefährliche Situation hin, die zu geringfügigen oder leichten Verletzungen bzw. Sach- und Umweltschäden führen kann, wenn sie nicht gemieden wird.

**GEFAHR!**

... kennzeichnet Gefährdungen durch elektrischen Strom. Bei Nichtbeachtung der Sicherheitshinweise besteht die Gefahr schwerer oder tödlicher Verletzungen.

**WARNUNG!**

... weist auf eine möglicherweise gefährliche Situation im explosionsgefährdeten Bereich hin, die zum Tod oder zu schweren Verletzungen führt, wenn sie nicht gemieden wird.

**WARNUNG!**

... weist auf eine möglicherweise gefährliche Situation hin, die durch heiße Oberflächen oder Flüssigkeiten zu Verbrennungen führen kann, wenn sie nicht gemieden wird.

**Information**

... hebt nützliche Tipps und Empfehlungen sowie Informationen für einen effizienten und störungsfreien Betrieb hervor.

2.2 Bestimmungsgemäße Verwendung

Die mechanischen Differenzdruckmessgeräte dienen der Anzeige von Füllständen an geschlossenen Behältern, insbesondere in der Kryotechnik. Je nach Ausführung kann mit einer integrierten Transmitterelektronik ein elektrisches Ausgangssignal des Füllstandes zur Steuerung oder Regelung ausgegeben werden. Mit optional angebautem Ventilblock wird die Inbetriebnahme und Wartung des Gerätes erleichtert. Wahlweise kann zusätzlich der Betriebsdruck mit einem Manometer oder Drucksensor gemessen werden.

Das Gerät bietet viele Anwendungsmöglichkeiten speziell für gasförmige und flüssige Gase, oder auch nicht aggressive, nicht hochviskose und nicht kristallisierende Messstoffe.

Das Gerät nur in Anwendungen verwenden, die innerhalb seiner technischen Leistungsgrenzen liegen (z. B. Temperaturgrenzen, Materialverträglichkeit, ...).

→ Leistungsgrenzen siehe Kapitel 8 „Technische Daten“

Das Gerät ist ausschließlich für den hier beschriebenen bestimmungsgemäßen Verwendungszweck konzipiert und konstruiert und darf nur dementsprechend verwendet werden. Ansprüche jeglicher Art aufgrund von nicht bestimmungsgemäßer Verwendung sind ausgeschlossen.

2.3 Fehlgebrauch



WARNUNG!

Verletzungen durch Fehlgebrauch

Fehlgebrauch des Gerätes kann zu gefährlichen Situationen und Verletzungen führen.

- ▶ Eigenmächtige Umbauten am Gerät unterlassen.
- ▶ Gerät nicht für abrasive und viskose Messstoffe verwenden.

Jede über die bestimmungsgemäße Verwendung hinausgehende oder andersartige Benutzung gilt als Fehlgebrauch.

2.4 Verantwortung des Betreibers

Das Gerät wird im gewerblichen Bereich eingesetzt. Der Betreiber unterliegt daher den gesetzlichen Pflichten zur Arbeitssicherheit.

Die Sicherheitshinweise dieser Betriebsanleitung, sowie die für den Einsatzbereich des Gerätes gültigen Sicherheits-, Unfallverhütungs- und Umweltschutzvorschriften einhalten.

Der Betreiber ist verpflichtet das Typenschild lesbar zu halten.

Für ein sicheres Arbeiten am Gerät muss der Betreiber sicherstellen,

- dass eine entsprechende Erste-Hilfe-Ausrüstung vorhanden ist und bei Bedarf jederzeit Hilfe zur Stelle ist.
- dass das Bedienpersonal regelmäßig in allen zutreffenden Fragen von Arbeitssicherheit, Erste Hilfe und Umweltschutz unterwiesen wird, sowie die Betriebsanleitung und insbesondere die darin enthaltenen Sicherheitshinweise kennt.
- dass das Gerät gemäß der bestimmungsgemäßen Verwendung für den Anwendungsfall geeignet ist.
- dass die persönliche Schutzausrüstung verfügbar ist.



An den messstoffberührten Teilen des Gerätes können herstellungsbedingt geringe Restmengen des Justagemediums (z. B. Druckluft, Wasser, Öl) anhaften. Bei erhöhten Anforderungen an die technische Sauberkeit muss die Eignung für den Anwendungsfall vor Inbetriebnahme vom Betreiber geprüft sein.

2.5 Personalqualifikation



WARNUNG!

Verletzungsgefahr bei unzureichender Qualifikation!

Unsachgemäßer Umgang kann zu erheblichen Personen- und Sachschäden führen.

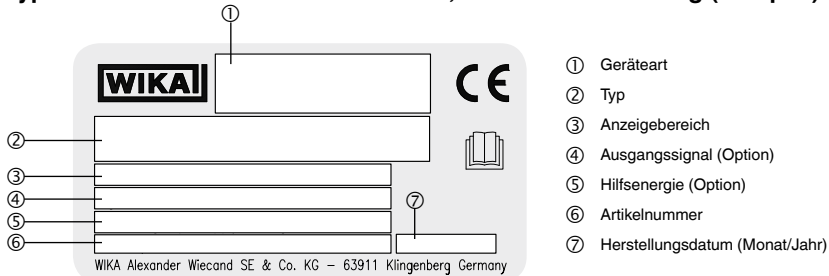
Die in dieser Betriebsanleitung beschriebenen Tätigkeiten nur durch Fachpersonal nachfolgend beschriebener Qualifikation durchführen lassen.

Fachpersonal

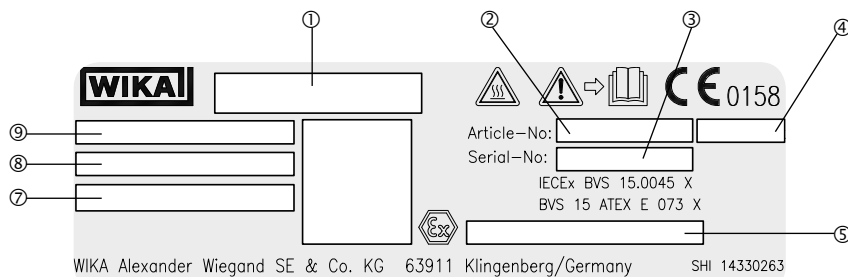
Das Fachpersonal ist aufgrund seiner fachlichen Ausbildung, seiner Kenntnisse der Mess- und Regelungstechnik und seiner Erfahrungen sowie Kenntnis der landesspezifischen Vorschriften, geltenden Normen und Richtlinien in der Lage, die beschriebenen Arbeiten auszuführen und mögliche Gefahren selbstständig zu erkennen.

2.6 Beschilderung, Sicherheitskennzeichnungen

Typenschild Differenzdruckmanometer, Nicht-Ex-Ausführung (Beispiel)



Typenschild Differenzdruckmanometer, Ex-Ausführung (Beispiel)



Vor Montage und Inbetriebnahme des Gerätes unbedingt die Betriebsanleitung lesen!



Verbrennungsgefahr!

Möglicherweise gefährliche Situation durch heiße Oberflächen.



Das Gerät mit dieser Kennzeichnung ist ein Sicherheitsdruckmessgerät mit bruch-sicherer Trennwand nach EN 837, Sicherheitsausführung „S3“.



Nicht mit dem Hausmüll entsorgen. Für eine geordnete Entsorgung gemäß nationaler Vorgaben sorgen.

2.7 Ex-Ausführung

Die Ex-Ausführung der Typen 712.15.100 und 732.15.100 besteht ausschließlich aus mechanischem Differenzdruckmanometer mit integrierter Transmitterelektronik Typ 892.44.



GEFAHR!

Lebensgefahr durch Verlust des Explosionsschutzes

Die Nichtbeachtung dieser Inhalte und Anweisungen kann zum Verlust des Explosionsschutzes führen.

- ▶ Sicherheitshinweise in diesem Kapitel sowie weitere Explosionsschutzhinweise in dieser Betriebsanleitung beachten.
- ▶ Die Angaben der geltenden Baumusterprüfbescheinigung sowie die jeweiligen landesspezifischen Vorschriften zur Installation und Einsatz in explosionsgefährdeten Bereichen (z. B. IEC 60079-14, NEC, CEC) einhalten.

Überprüfen, ob die Klassifizierung für den Einsatzfall geeignet ist. Die jeweiligen nationalen Vorschriften und Bestimmungen beachten.

Ex-Kennzeichnung

ATEX

IECEX

II 2G Ex ia IIC T4/T5/T6 Gb

Zulässiger Temperaturbereich

Für die Ermittlung der maximalen Temperatur am Gerät sind außer der Messstofftemperatur noch andere Einflüsse wie z. B. die Umgebungstemperatur und gegebenenfalls die Sonneneinstrahlung zu berücksichtigen.

Geforderte Temperaturklasse (Zündtemperatur)	Zulässiger Temperaturbereich am Gerät
T6 und T5	-40 ... +60 °C
T4	-40 ... +80 °C

Die Montage ist so auszuführen, dass der zulässige Temperaturbereich des Gerätes, auch unter Berücksichtigung des Einflusses von Konvektion und Wärmestrahlung, weder unter- noch überschritten wird.

Die zulässigen Temperaturbereiche dürfen auch am Gerät nicht überschritten werden. Gegebenenfalls sind Maßnahmen zur Kühlung (wie z. B. Wassersackrohr, Instrumentierungsventil) zu ergreifen.

2.8 Besondere Bedingungen für die sichere Verwendung (X-Conditions)

1. Zur sicheren Verwendung des Gerätes sind alle Angaben, insbesondere die Angaben zur Ex-Ausführung, in den Kapiteln dieser Betriebsanleitung zu beachten.
2. Die Ex-Ausführung des Gerätes kann in folgendem **Umgebungstemperaturbereich T_a** verwendet werden:
 - 40 °C ≤ T_a ≤ +60 °C für Temperaturklasse T6 und T5
 - 40 °C ≤ T_a ≤ +80 °C für Temperaturklasse T4
3. Der zulässige **Messstofftemperaturbereich T_m** muss am Gerät eingehalten werden:
 - 40 °C ≤ T_m ≤ +60 °C für Sauerstoff
 - 40 °C ≤ T_m ≤ +60 °C für Temperaturklasse T6 und T5
 - 40 °C ≤ T_m ≤ +80 °C für Temperaturklasse T4

3. Transport, Verpackung und Lagerung

3.1 Transport

Gerät auf eventuell vorhandene Transportschäden untersuchen.
Offensichtliche Schäden unverzüglich mitteilen.



VORSICHT!

Beschädigungen durch unsachgemäßen Transport

Bei unsachgemäßem Transport können Sachschäden in erheblicher Höhe entstehen.

- ▶ Beim Abladen der Packstücke bei Anlieferung sowie innerbetrieblichem Transport vorsichtig vorgehen und die Symbole auf der Verpackung beachten.
- ▶ Bei innerbetrieblichem Transport die Hinweise unter Kapitel 3.2 „Verpackung und Lagerung“ beachten.

3.2 Verpackung und Lagerung

Verpackung erst unmittelbar vor der Montage entfernen.

Die Verpackung aufbewahren, denn diese bietet bei einem Transport einen optimalen Schutz (z. B. wechselnder Einbauort, Reparatursendung).

Zulässige Bedingungen am Lagerort:

Lagertemperatur: -20 ... +60 °C

Folgende Einflüsse vermeiden:

- Direktes Sonnenlicht oder Nähe zu heißen Gegenständen
- Mechanische Vibration, mechanischer Schock (hartes Aufstellen)
- Ruß, Dampf, Staub und korrosive Gase
- Explosionsgefährdete Umgebung, entzündliche Atmosphären

DE

Das Gerät in der Originalverpackung an einem Ort lagern, der die oben gelisteten Bedingungen erfüllt.

4. Inbetriebnahme, Betrieb

Personal: Fachpersonal

Vor Montage, Inbetriebnahme und Betrieb sicherstellen, dass das richtige Gerät hinsichtlich Anzeigebereich, Ausführung und spezifischen Messbedingungen ausgewählt wurde.



GEFAHR!

Lebensgefahr durch Explosion!

Durch Arbeiten in entzündlichen Atmosphären besteht Explosionsgefahr, die zum Tod führen kann.

- ▶ Rüstarbeiten nur in nicht-explosionsgefährdeter Umgebung durchführen!



WARNUNG!

Körperverletzungen, Sach- und Umweltschäden durch gefährliche Messstoffe

Bei Kontakt mit gefährlichen Messstoffen (z. B. Sauerstoff, Acetylen, brennbaren oder giftigen Stoffen), gesundheitsgefährdenden Messstoffen (z. B. ätzend, giftig, krebserregend, radioaktiv) besteht die Gefahr von Körperverletzungen, Sach- und Umweltschäden.

Am Gerät können im Fehlerfall aggressive Messstoffe mit extremer Temperatur und unter hohem Druck anliegen.

- ▶ Bei diesen Messstoffen müssen über die gesamten allgemeinen Regeln hinaus die einschlägigen Vorschriften beachtet werden.
- ▶ Notwendige Schutzausrüstung tragen.



WARNUNG!

Körperverletzungen, Sach- und Umweltschäden durch unter hohem Druck austretende Messstoffe

Bei der Druckbeaufschlagung des Gerätes kann aufgrund schlechter Abdichtung des Prozessanschlusses Messstoff unter hohem Druck entweichen.

Durch die hohe Energie des im Fehlerfall austretenden Messstoffes besteht die Gefahr von Körperverletzungen und Sachschäden.

- ▶ Die Abdichtung des Prozessanschlusses muss fachgerecht ausgeführt und auf Dichtheit überprüft werden.

Anforderungen an die Einbaustelle

Ist die Leitung zum Messgerät für eine erschütterungsfreie Anbringung nicht stabil genug, sollte die Befestigung mittels Messgerätehalterung erfolgen. Die Geräte sind vor grober Verschmutzung und starken Schwankungen der Umgebungstemperatur zu schützen.

4.1 Mechanische Montage

Die Montage des Differenzdruckmanometers erfolgt in Anlehnung an die Einbauempfehlungen für Druckmessgeräte nach EN 837-2 /7.

- Messleitungen vor der Montage gründlich durch Abklopfen und Ausblasen oder Durchspülen reinigen.
- Geräte sollen erschütterungsfrei montiert und betrieben werden.
Befestigung über starre Messleitungen und/oder 4 Montagebohrungen M8 im Messflansch.
- Manometer sollen vor Verschmutzung und starken Temperaturschwankungen geschützt sein.
- Maximal zulässige Messstoff-/Umgebungstemperatur darf nicht überschritten werden.
- Montage des Prozessanschlusses nach angebrachten Symbolen \oplus und \ominus .
 \oplus hoher Druck \Rightarrow Bodendruck (p_B)
 \ominus niedriger Druck \Rightarrow Betriebsdruck/Überlagerungsdruck (p_D)

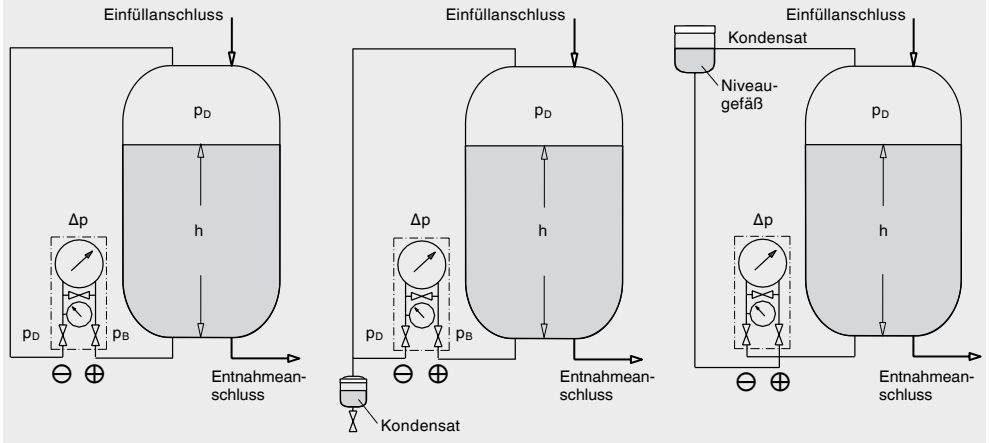
$$p_B = p_{FL} + p_D$$

(wobei p_{FL} = hydrostatischer Druck der Flüssigkeit = $r \cdot g \cdot h$)

Montagearten zur Füllstandsmessung

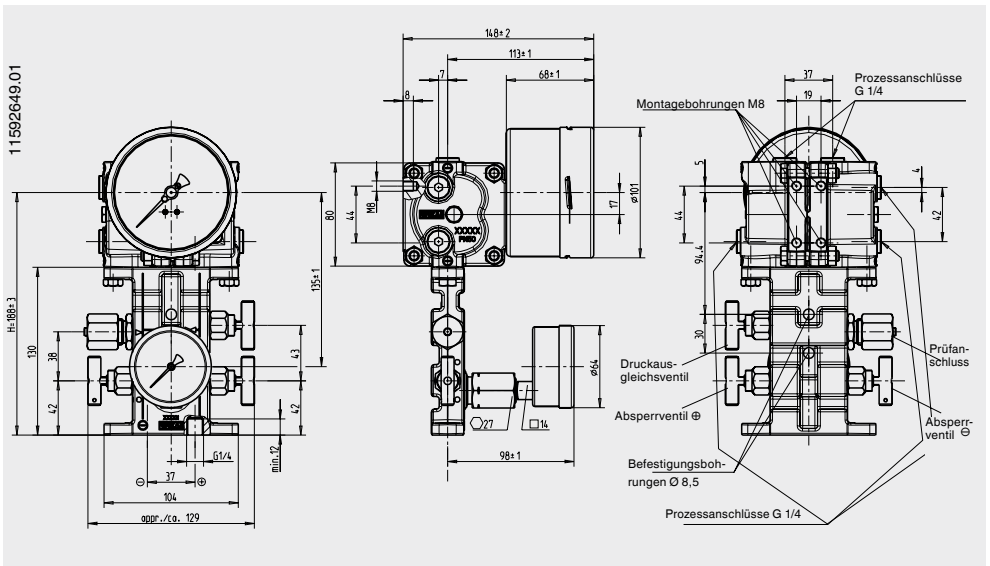
Standard bei Kryobehältern
(verflüssigte Gase)

2 Beispiele für Behälter mit separatem Kondensatgefäß

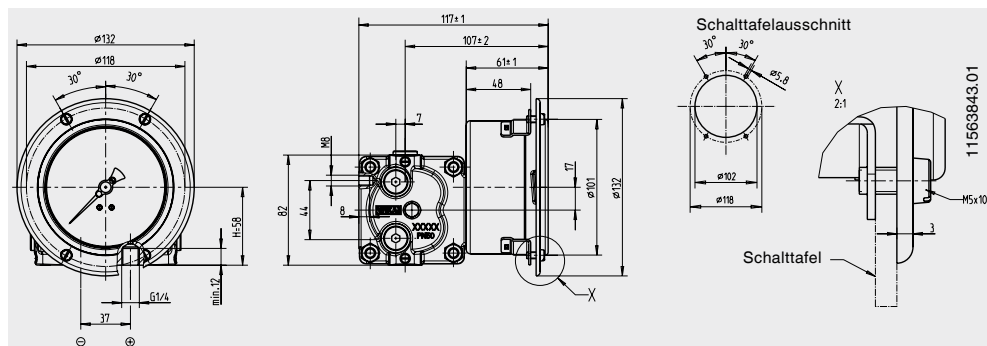


Wandmontage

Befestigung an 4 Montagebohrungen M8 oder mit 2 Befestigungsbohrungen Ø 8,5 mm



Schalttafeleinbau (Option)



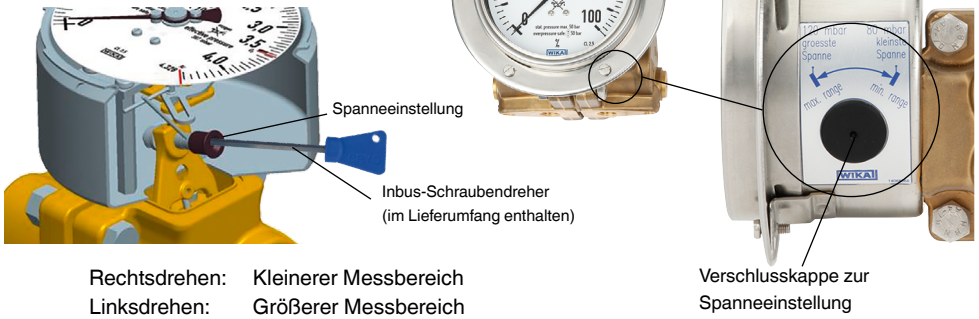
4.2 Differenzdruckanzeige

Die Messspanne des Differenzdruckmanometers kann je nach Messzelle auf die in der Tabelle angegebenen Messbereichsgrenzen eingestellt werden. Die Einstellung sollte zweckmäßig auf dem Prüfstand erfolgen, kann jedoch auch direkt an der Messstelle mittels Handprüfpumpe vorgenommen werden.

Messbereichsgrenzen

Messzelle	Einstellbare Anzeigebereiche	
	von	bis
60 mbar	0 ... 40 mbar	0 ... 60 mbar
90 mbar	0 ... 60 mbar	0 ... 90 mbar
120 mbar	0 ... 80 mbar	0 ... 120 mbar
165 mbar	0 ... 110 mbar	0 ... 165 mbar
240 mbar	0 ... 160 mbar	0 ... 240 mbar
330 mbar	0 ... 220 mbar	0 ... 330 mbar
480 mbar	0 ... 320 mbar	0 ... 480 mbar
660 mbar	0 ... 440 mbar	0 ... 660 mbar
975 mbar	0 ... 650 mbar	0 ... 975 mbar
1.350 mbar	0 ... 900 mbar	0 ... 1.350 mbar
1.725 mbar	0 ... 1.150 mbar	0 ... 1.725 mbar

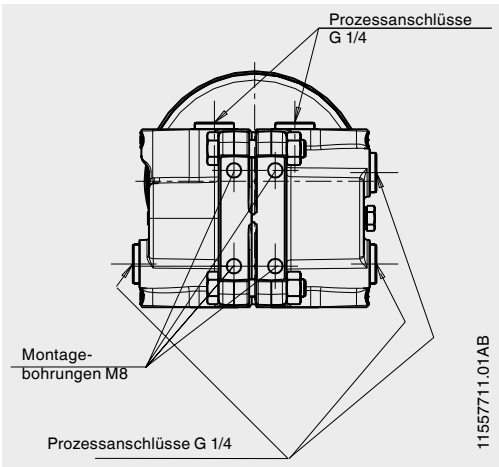
Spanneinstellung



1. Die Spanneinstellung ist am Gehäuseumfang bei 4 Uhr durch Abnehmen der Verschlusskappe zugänglich.
2. Das Gerät mit dem gewünschten Nenndruck beaufschlagen.
3. Mittels Inbus-Schraubendreher (SW 3 mm) in die Trichterführung eintauchen und durch Rechts- (kleinerer Messbereich) oder Linksdrehen (größerer Messbereich) den Zeiger auf Endwert verstellen. Danach ist das Gerät bereits auf den gewünschten Messbereich eingestellt.
4. Ist das Gerät mit einem Transmitter Typ 89x.44 ausgerüstet, so ist mit dieser Prozedur auch das Ausgangssignal auf den neuen Messbereich eingestellt.
5. Nach Beendigung der Einstellung ist das Gerät wieder mit der Verschlusskappe zu verschließen.

Zusätzliche Prozessanschlüsse

- Drei zusätzliche G ¼ Innengewinde an Minusmessstoffkammer (rechter Messzellenflansch bei Ansicht des Gerätes von hinten) z. B. zum Anschluss eines Druckschalters, Sicherheitsventiles oder Drucksensors Typ A-10 bzw. IS-3
- Zwei G ¼ Innengewinde an Plusmessstoffkammer (linker Messzellenflansch bei Ansicht des Gerätes von hinten) z. B. zur Rekalibrierung

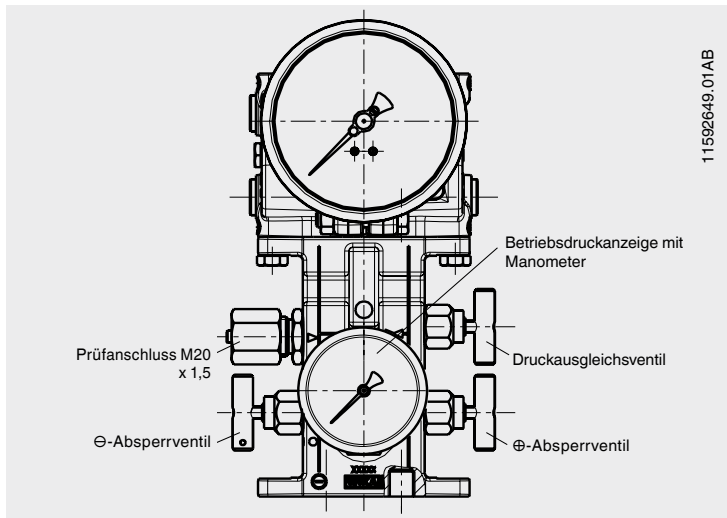


1155771.01AB

11592011.06.08/2019 EN/DE

4.3 Ventilblock mit Betriebsdruckanzeige (Option)

Die Erweiterung mit einem anflanschbaren, kompakten Ventilblock mit Manometer ermöglicht zusätzlich zur Füllstandsermittlung die Messung des Betriebsdrucks an einer zentralen Messstelle.



Manometer für Betriebsdruckanzeige (Option)

Nicht-Ex-Ausführung: Typ 212.20.100

Ex-Ausführung: Typen 232.50.63, 232.50.100, 232.30.100

Funktionen Ventilblock

- Absperrung der Prozessleitung ohne Störung des Betriebsablaufes:
 - Zur Gerätedemontage und -prüfung
 - Zum Schutz des Gerätes gegen unzulässige Überdruckbelastung bei n-facher Prüfdruckbelastung der Anlage
- Schutz des Gerätes vor Druckstößen und -schlägen und damit undefinierten Betriebsverhältnissen
- Gerätestilllegung, z. B. Messungen sind über längere Betriebszeiten nur sporadisch gefordert (zur Erhöhung der Lebensdauer des Gerätes bei hoher Druckwechselfrequenz)
- Rekalibrierung des Differenzdruckmanometers (Füllstandsanzeiger)
 1. Absperrventile der ⊕- und ⊖-Seite schließen
 2. Danach Druckausgleichsventil öffnen, kurz abwarten und anschließend Druckausgleichsventil wieder verschließen
 3. Über zusätzliches G ¼ Innengewinde an der ⊖-Seite des Messsystems wird Drucknormal und Druckerzeuger angeschlossen
 4. Im Ventilblock auf der ⊖-Seite Prüfanschlusschraube entfernen

5. Die \oplus -Seite kann jetzt mit Druck beaufschlagt werden

Nach erfolgter Justage:

- Prüfanschlussschraube wieder schließen
- Drucknormal und Druckerzeuger wieder entfernen und Anschluss verschließen
- zuerst \oplus -Absperrventil, danach \ominus -Absperrventil langsam öffnen

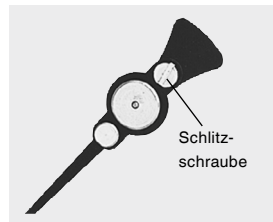
DE

■ Prüfanschluss M20 x 1,5 für die Überprüfung des Messgerätes für den Betriebsdruck. Mit dem Druckausgleichsventil wird eine Nullpunktkontrolle im laufenden Betriebsprozess (bei geöffnetem Ventil) ermöglicht.

1. Absperrventile der \oplus - und \ominus -Seite schließen
2. Danach Druckausgleichsventil öffnen

■ Der Messstoff strömt von der Seite höheren Druckes zur Gegenseite, Differenzdruck am Gerät fällt auf Null (Differenzdruckanzeige muss auf Null, d. h. in den Bereich des Nullpunkt-Toleranzbandes gehen, Gerätefunktion ist damit in Ordnung).

■ Bei Abweichung kann eine Nullpunkteinstellung über den standardmäßig eingebauten Verstellzeiger erfolgen (vorher Bajonettring lösen und Sichtscheibe sowie Dichtung entfernen). Die Nullpunkteinstellung wird durch Verdrehen der Schlitzschraube am Verstellzeiger erreicht. Nach erfolgter Nullpunkteinstellung Bajonettring inklusive Sichtscheibe und Dichtung wieder befestigen und Druckausgleichsventil schließen.



■ Für Ausführungen mit integrierter Transmitterelektronik ist der elektrische Nullpunkt einzustellen.

3. Druckausgleichsventil wieder verschließen
4. Zuerst \oplus -Absperrventil, danach \ominus -Absperrventil langsam öffnen

Adapter für Prozessanschluss (Option)

Die Adapter können entweder direkt an das Differenzdruckmanometer oder an den Ventilblock angeflanscht werden.

4 verschiedene Prozessanschlüsse stehen zur Auswahl:

- 2 x G 1/2, Innengewinde, Achsabstand 31 mm oder 54 mm
- 2 x 1/4 NPT, Innengewinde, Achsabstand 31 mm oder 54 mm



Bei Einzelbestellung sind alle für die Montage am Differenzdruckmanometer oder am Ventilblock erforderlichen Teile im Lieferumfang enthalten:

- 2 x Sechskantschrauben M8 x 16
- 2 x Sechskantschrauben M8 x 28
- 2 x Mutter M8
- 2 x O-Ring-Dichtung

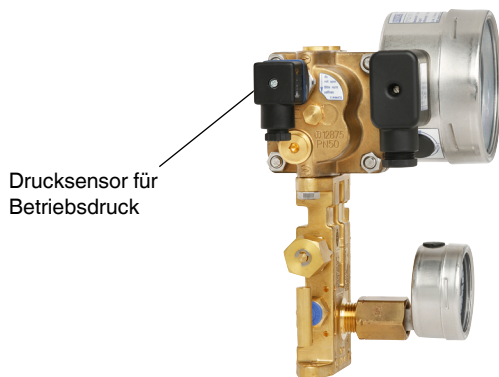
4.4 Elektrischer Anschluss

Der elektrische Anschluss darf nur durch qualifiziertes Fachpersonal erfolgen. Das Gerät muss in den Potentialausgleich der Anlage eingebunden werden.

Drucksensor für Betriebsdruck (Option)

Nicht-Ex-Ausführung: Typ A-10

Ex-Ausführung: Typ IS-3



Drucksensor für Betriebsdruck

Die Drucksensoren für den Betriebsdruck sind an der linken Seite in die \ominus -Messstoffkammer eingeschraubt und können bei Bedarf auch vor Ort angebaut werden.

Prozessanschluss Drucksensor: G 1/4 außen

DE

Technische Daten	A-10	IS-3
Datenblatt	PE 81.60	PE 81.58
Für Ex-Bereich	Nein	Ja, eigensicher
Messbereiche	0 ... 2,5 bar bis 0 ... 60 bar	0 ... 2,5 bar bis 0 ... 60 bar
Ausgänge	4 ... 20 mA	4 ... 20 mA (Süeisetrener)
Messstofftemperatur	-30 ... +100 °C	-20 ... +60 °C
Umgebungstemperatur	-30 ... +80 °C	-20 ... +60 °C
Messstoffberührte Teile	CrNi-Stahl	CrNi-Stahl
Hilfsenergie U_B	DC 10 V < U_B ≤ 30 V	DC 10 V < U_B ≤ 30 V
Zulässige max. Bürde R_A	$R_A \leq (U_B - 8 \text{ V}) / 0,02 \text{ A}$	$R_A \leq (U_B - 10 \text{ V}) / 0,02 \text{ A}$
Genauigkeit, Toleranzband-einstellung, BFSL	≤ 0,5 % d. Spanne	≤ 0,2 % d. Spanne
Kompensierter Temperaturbereich	0 ... +80 °C	0 ... +60 °C
Belegung der Anschlussklemmen, 2-Leiter		

Separat beigelegte Betriebsanleitung für den jeweiligen Drucksensor beachten!

Magnetspringkontakte (Option)

Elektrische Schaltkontakte für Füllstandsanzeiger und/oder Betriebsdruck öffnen Stromkreise in Abhängigkeit von der Zeigerstellung der anzeigenden Messgeräte.

Ausführung

1- und 2-fach-Magnetspringkontakt, Typ 828

Beim Schaltkontakt im Baukastensystem handelt es sich um eine Aufbaueinheit, die in wenigen Minuten auf das Manometer aufgebaut werden kann. Die Schaltkontakte sind in Schutzart IP65 ausgeführt. Die Ankopplung an den Istwertzeiger erfolgt über eine Spezialgabel, so dass am Zeiger selbst kein Mitnehmerstift benötigt wird. Durch diese einfache Montage kann das Gerät äußerst schnell und preiswert in ein Kontaktmanometer umgebaut werden.

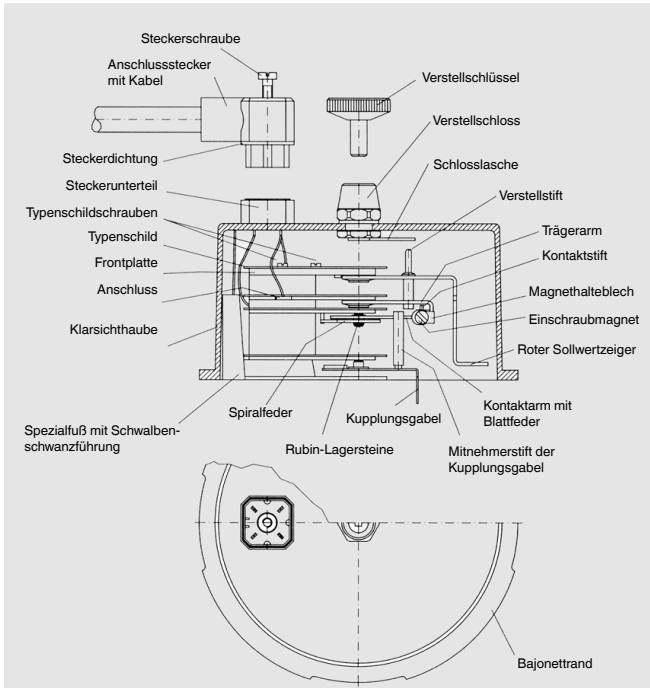
Die Schaltkontakte bestehen im Wesentlichen aus:

- dem bereits verdrahteten Schaltkontakt, der mit einem Spezialfuß und einer Gabelkuppung ausgerüstet ist
- einer Klarsichthaube (Polycarbonat) mit Schwalbenschwanzführung, in die der Grenzsinalgeber mit dem Spezialfuß eingeschoben und mit einer Kreuzschlitzschraube befestigt ist
- einem der Klarsichthaube angespritzten bzw. verschweißten Steckerunterteil (4-polig)
- einem in der Mitte der Klarsichthaube montierten Verstellverschluss.

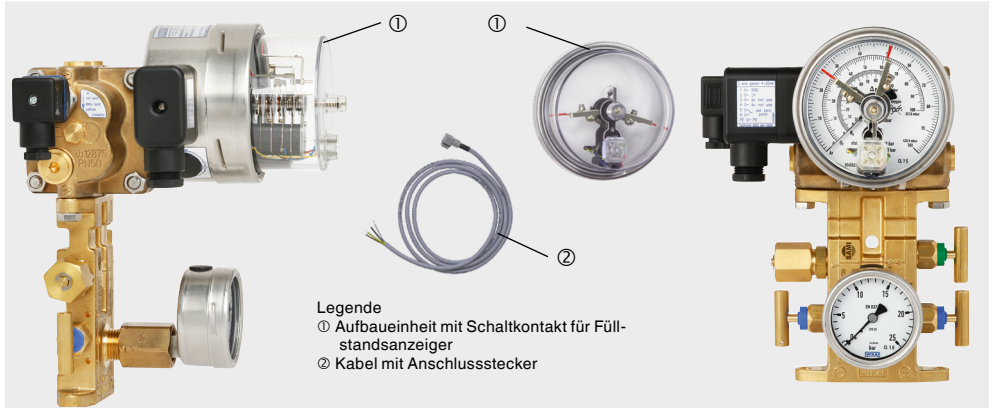
Durch das Verstellverschluss mit separatem oder fest montiertem Schlüssel werden die Sollwertzeiger des eingebauten Schaltkontaktes von außen auf den Wert eingestellt, bei dem der Schaltvorgang erfolgen soll.

Die Schaltkontakte sind so konstruiert, dass der Istwertzeiger nach erfolgter Kontaktgabe über den eingestellten Sollwertzeiger hinaus weiterlaufen kann; die einmal erfolgte Kontaktgabe bleibt erhalten.

Die Konstruktion garantiert bei Stromausfall einen stabilen, der Stellung des Istwertzeigers entsprechenden Schaltzustand.



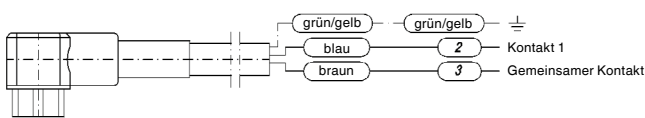
Montage der Schaltkontakte



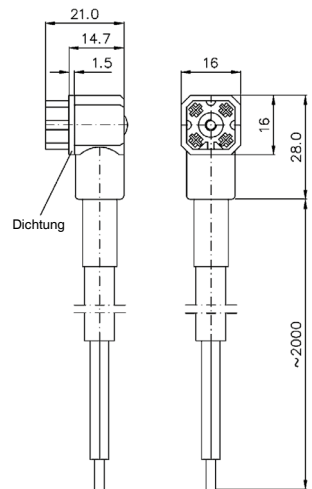
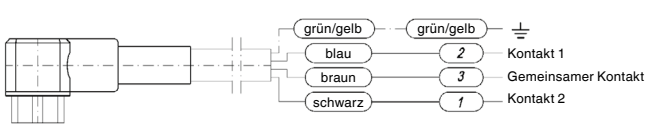
DE

Anschlussbelegung

■ Einfachkontakt, NG 100



■ Zweifachkontakt, NG 100



4.5 Integrierte Transmitterelektronik (Option)

Nicht-Ex-Ausführung: Typ 891.44

Ex-Ausführung: Typ 892.44

Siehe Kapitel 8 „Technische Daten“

WIKA Differenzdruckmanometer mit integriertem Transmitter Typ 89x.44 verbinden alle Vorteile einer mechanischen Anzeige vor Ort mit den Forderungen nach einer elektrischen Signalübertragung für eine moderne Messwerterfassung in der Industrie.

Die Transmitterelektronik ist im Gehäuse des Füllstandsanzeigers integriert. Die Messspanne (elektrisches Ausgangssignal) wird automatisch mit der mechanischen Anzeige eingestellt, d. h. die Skale über 270 Winkelgrade entspricht 4 ... 20 mA (siehe Differenzdruckanzeige).

Hilfsenergie Nicht-Ex-Ausführung

Passende Stromversorgung:

Typ KFA6-STR-1.24.500, AC 115/230 V, für Hutschiene, Bestellnummer: 7305636

Hilfsenergie Ex-Ausführung

Das Gerät darf nur in Verbindung mit einem entsprechenden Ex-Speisetrenner betrieben werden.

Passende Ex-Speisetrenner:

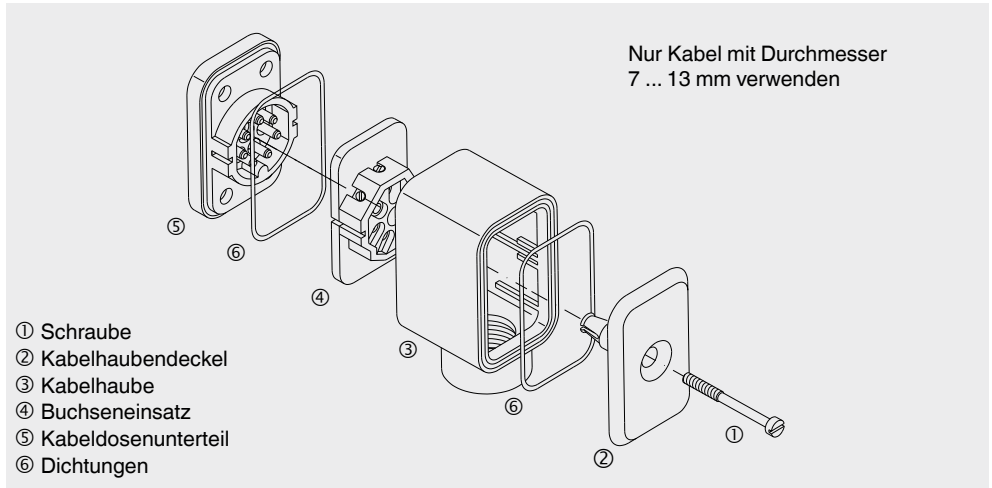
- Typ KFD2-STC4-Ex1, DC 20 ... 35 V, für Hutschiene, Bestellnummer: 2341268
- Typ IS Barrier, DC 19,2 ... 30 V, für Hutschiene, Bestellnummer: 14117118

Sicherheitshinweise bei Installation

- Geräte gemäß Herstellerangaben und den gültigen Normen und Regeln installieren.
- An die Anschlussleitungen des Gerätes nur Stromkreise mit gleicher Spannung bzw. von gleicher Schutzart anschließen.
- Anschlussleitungen für die größte Stromstärke in den Stromkreisen bemessen und auf ausreichende UV- und mechanische Beständigkeit achten.
- Bei flexiblen Anschlussleitungen isolierte Aderendhülsen verwenden. Max. zulässiger Leitungsquerschnitt 1,5 mm².
- Anschlussleitungen müssen für den Umgebungstemperaturbereich der Applikation geeignet sein.
- Die Anschlussleitungen müssen auch für die mitgelieferte Kabelverschraubung geeignet sein (Durchmesserbereich siehe unten).
- Kabeleinführung mit den entsprechend zugelassenen Kabelverschraubungen dicht verschließen.
- Anschlusskabel fest verlegen.

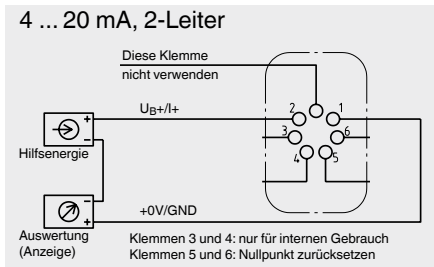
Demontage Kabeldose

Die Kabeldose ist vormontiert und muss wie nachfolgend beschrieben zerlegt werden.



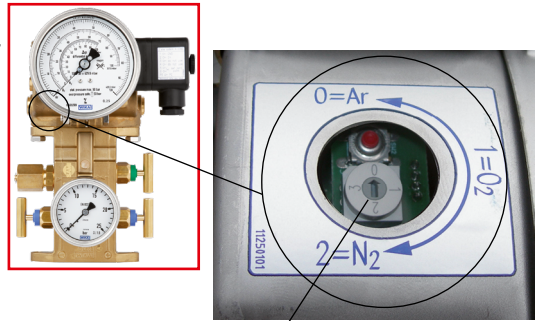
- Mit einem Schlitzschraubendreher (0,6 x 3,5 mm) die Schraube am Kabelhaubendeckel vollständig lösen und entnehmen.
- Die Kabelhaube samt Buchseneinsatz vom Kabeldosenunterteil (fest mit Gerät verbunden) abziehen.
- Kabelhaubendeckel entfernen und den Buchseneinsatz ganz durch die Kabelhaube nach unten herausdrücken.

Anschlussbelegung Kabeldose



Bei **Mehrfachskalen** oder wechselbaren Steckskalen (Option) kann das darauf abgestimmte Ausgangssignal von 4 ... 20 mA in einem Mikroprozessor abgelegt werden.

Durch Verdrehen des optionalen **BCD-Schalters** (erreichbar durch Abnehmen einer Verschlusskappe links seitlich am Gehäuse) mittels Schraubendreher lässt sich das Ausgangssignal auf die gewünschte Gasart umstellen.



BCD-Schalter (Skalenauswahlschalter) und Nullpunktaste (Verschlusskappe entfernt)

Elektrischer Nullpunkt mit Option BCD-Schalter

Sollte ein Nullpunktgleich notwendig werden (z. B. nach erfolgter mechanischer Nullpunkteinstellung), so ist das Gerät zunächst spannungsfrei zu schalten (Stecker abziehen). Danach ist die Spannungsversorgung wieder herzustellen (Stecker montieren) und innerhalb von 30 Sekunden die Nullpunktaste für ca. 1 Sekunde zu drücken.

Elektrischer Nullpunkt ohne Option BCD-Schalter

Wurde der mechanische Nullpunkt über den Verstellzeiger verändert, muss der elektrische Nullpunkt dem mechanischen angepasst werden. Dazu den Druckwert des Skalenanfangs anfahren. Der Skalenanfang entspricht dem kleinsten elektrischen Signal.

Mit einem kurzen, an beiden Enden abisolierten Stück Litzen draht (maximal zulässiger Widerstand 30 Ω) Klemmen 5 und 6 am Buchseneinsatz überbrücken.

Montage Kabeldose

- Buchseneinsatz mit Kabelhaube verbinden und Kabelhaubendeckel mit Dichtung und Schraube zusammensetzen (siehe Zeichnung Kabeldose).
- Die gerade montierte Baugruppe auf das Kabeldosenunderteil mit Dichtung stecken.
- Mit einem Schlitzschraubendreher (0,6 x 3,5 mm) die Schraube am Kabelhaubendeckel vollständig einschrauben.



Damit die Schutzart erhalten bleibt, unbedingt die Dichtungen wieder montieren.

Nach Einschalten der Hilfsenergie wird innerhalb von max. 30 Sekunden der neue Nullpunkt in der Transmitterelektronik gespeichert. Zur Kontrolle kann an einer Anzeigeeinheit (z. B. Strommessgerät) während dieser Zeit ein Stromanstieg in der Stromschleife auf 9,5 mA gemessen werden.

- Hilfsenergie und Anzeigeeinheit ausschalten.
- Die oben beschriebene „Demontage Kabeldose“ durchführen.
- Den Litzendraht zur Überbrückung der Klemmen 5 und 6 am Buchseneinsatz entfernen.
- Die oben beschriebene „Montage Kabeldose“ durchführen.

Das elektrische Ausgangssignal ist nun wieder deckungsgleich mit der Anzeige des mechanischen Zeigers.

Alle zur Nullpunkteinstellung geöffneten Ventile wieder schließen.

5. Störungen

Störungen	Ursachen	Maßnahmen
Kein Eingangsdruck.	Druckausgleichsventil geöffnet.	Druckausgleichsventil schließen.
Kein Ausgangssignal.	Hilfsenergie unzureichend oder Leitungsbruch.	Spannungsversorgung und Leitungen prüfen.
	Falsche Anschlussbelegung.	Anschlussbelegung prüfen.
	Defekte Transmitterelektronik durch Überspannung.	Gerät austauschen.
Gleichbleibendes Ausgangssignal bei Druckänderung.	Druckkanal am Prozessanschluss verstopft.	Druckkanal am Prozessanschluss reinigen.
	Hilfsenergie verpolt angeschlossen. ($I = \text{ca. } 4,5 \text{ mA}$).	Anschlussbelegung prüfen.
	Defekte Transmitterelektronik	Gerät austauschen.
Zu hohes, bei Druckänderung gleichbleibendes Ausgangssignal.	Überbrückung der Klemmen 5 und 6 nicht entfernt ($I = \text{ca. } 9,5 \text{ mA}$).	Überbrückung der Klemmen entfernen. Nullpunkt einstellen.
	Defekte Transmitterelektronik durch Überspannung.	Gerät austauschen.
Signalspanne zu klein.	Hilfsenergie unzureichend.	Spannungsversorgung und Leitungen prüfen.
	Bürde zu hoch.	Zulässige Bürde einhalten.
	Nullpunkt verstellt.	Nullpunkt einstellen.
Nullpunktsignal zu klein oder zu groß.	Nullpunkt verstellt.	Nullpunkt einstellen.
	Mechanische Überlastung	Gerät austauschen.

Für den Austausch des Gerätes die Kapitel 7 „Demontage, Rücksendung und Entsorgung“ und 4 „Inbetriebnahme, Betrieb“ beachten.

6. Wartung und Reinigung

6.1 Wartung

Die Geräte sind wartungsfrei.

Eine Überprüfung der Anzeige und der Schaltfunktion sollte etwa 1- bis 2-mal pro Jahr erfolgen. Dazu ist das Gerät vom Prozess zu trennen und mit einer Druckprüfvorrichtung zu kontrollieren.



WARNUNG!

Lebensgefahr durch unzulässiges Füllen des Gerätes mit Verlust des Explosionsschutzes

Das Füllen von Geräten führt zum Verlust des Explosionsschutzes und kann zur Beschädigung des Gerätes führen.

- ▶ Bei notwendiger Rücksendung die Hinweise unter Kapitel 7.2 „Rücksendung“ beachten.

Reparaturen sind ausschließlich vom Hersteller durchzuführen.

6.2 Reinigung



VORSICHT!

Körperverletzungen, Sach- und Umweltschäden

Eine unsachgemäße Reinigung führt zu Körperverletzungen, Sach- und Umweltschäden. Messstoffreste im ausgebauten Gerät können zur Gefährdung von Personen, Umwelt und Einrichtung führen.

- ▶ Reinigungsvorgang wie folgt beschrieben durchführen.

1. Vor der Reinigung das Gerät ordnungsgemäß von der Druckversorgung trennen, ausschalten und vom Netz trennen.
2. Notwendige Schutzausrüstung verwenden.
3. Das Gerät mit einem feuchten Tuch reinigen.
Elektrische Anschlüsse nicht mit Feuchtigkeit in Berührung bringen!



VORSICHT!

Beschädigung des Gerätes

Eine unsachgemäße Reinigung führt zur Beschädigung des Gerätes!

- ▶ Keine aggressiven Reinigungsmittel verwenden.
- ▶ Keine harten und spitzen Gegenstände zur Reinigung verwenden.

4. Ausgebautes Gerät spülen bzw. säubern, um Personen und Umwelt vor Gefährdung durch anhaftende Messstoffreste zu schützen.

7. Demontage, Rücksendung und Entsorgung



WARNUNG!

Körperverletzungen, Sach- und Umweltschäden durch Messstoffreste

Messstoffreste im ausgebauten Gerät können zur Gefährdung von Personen, Umwelt und Einrichtung führen.

- ▶ Notwendige Schutzausrüstung tragen.
- ▶ Angaben im Sicherheitsdatenblatt für den entsprechenden Messstoff beachten.
- ▶ Ausgebautes Gerät spülen bzw. säubern, um Personen und Umwelt vor Gefährdung durch anhaftende Messstoffreste zu schützen.

DE

7.1 Demontage



GEFAHR!

Lebensgefahr durch elektrischen Strom

Bei Berührung mit spannungsführenden Teilen besteht unmittelbare Lebensgefahr.

- ▶ Die Demontage des Gerätes darf nur durch Fachpersonal erfolgen.
- ▶ Gerät im stromlosen Zustand demontieren.



WARNUNG!

Körperverletzung

Bei der Demontage besteht Gefahr durch aggressive Messstoffe und hohe Drücke.

- ▶ Angaben im Sicherheitsdatenblatt für den entsprechenden Messstoff beachten.
- ▶ Gerät im drucklosen Zustand demontieren.

7.2 Rücksendung

Beim Versand des Gerätes unbedingt beachten:

Alle an WIKA gelieferten Geräte müssen frei von Gefahrstoffen (Säuren, Laugen, Lösungen, etc.) sein und sind daher vor der Rücksendung zu reinigen.



WARNUNG!

Körperverletzungen, Sach- und Umweltschäden durch Messstoffreste

Messstoffreste im ausgebauten Gerät können zur Gefährdung von Personen, Umwelt und Einrichtung führen.

- ▶ Bei Gefahrstoffen das Sicherheitsdatenblatt für den entsprechenden Messstoff beilegen.
- ▶ Gerät reinigen, siehe Kapitel 7.2 „Reinigung“.

Zur Rücksendung des Gerätes die Originalverpackung oder eine geeignete Transportverpackung verwenden.



Hinweise zur Rücksendung befinden sich in der Rubrik „Service“ auf unserer lokalen Internetseite.

DE

7.3 Entsorgung

Durch falsche Entsorgung können Gefahren für die Umwelt entstehen. Gerätekomponenten und Verpackungsmaterialien entsprechend den landesspezifischen Abfallbehandlungs- und Entsorgungsvorschriften umweltgerecht entsorgen.



Nicht mit dem Hausmüll entsorgen. Für eine geordnete Entsorgung gemäß nationaler Vorgaben sorgen.

8. Technische Daten

8.1 Zulässige Temperaturbereiche

Nicht-Ex-Ausführung

Typen 712.15.100 und 732.15.100 optional mit Typ 891.44

Umgebung	-40 ... +60 °C bei Sauerstoff -40 ... +80 °C
Messstoff	-40 ... +60 °C bei Sauerstoff -40 ... +80 °C

DE

Ex-Ausführung

Typen 712.15.100 und 732.15.100 mit Typ 892.44

Umgebung	-40 ... +60 °C für Temperaturklasse T6 und T5 -40 ... +80 °C für Temperaturklasse T4
Messstoff	-40 ... +60 °C bei Sauerstoff -40 ... +60 °C für Temperaturklasse T6 und T5 -40 ... +80 °C für Temperaturklasse T4

8.2 Differenzdruckmanometer

Typen 712.15.100 und 732.15.100

Nenngröße	NG 100 (Füllstandsanzeige)
Max. Betriebsdruck (statischer Druck)	50 bar
Überlastsicherheit	ein-, beid- und wechselseitig bis 50 bar
Schutzart	IP65 nach EN/IEC 60529
Prozessanschlüsse (messstoffberührt)	2 x G 1/4 (Option: 2 x 1/4 NPT), Innengewinde, unten, Achsabstand 37 mm Option: Adapter für Prozessanschluss
Messzellenflansche (messstoffberührt)	Typ 712.15: Kupferlegierung CW614N (CuZn39Pb3) Typ 732.15: CrNi-Stahl 316L
Messglieder (messstoffberührt)	Druckfeder, CrNi-Stahl 1.4310 Trennmembrane, NBR Übertragungsteile, CrNi-Stahl 1.4301 und 1.4305
Zeigerwerk	Laufteile CrNi-Stahl
Zifferblatt	Aluminium weiß (siehe dazu Skalenausführungen)
Zeiger	Verstellzeiger, Aluminium schwarz
Gehäuse / Überring	CrNi-Stahl, mit Bajonettring
Sichtscheibe	Polycarbonat (PC)

8.3 Integrierte Transmitterelektronik (Option)

Technische Daten	Typen 891.44 und 892.44 (Ex-Ausführung)
Hilfsenergie U_B	Nicht-Ex-Ausführung, Typ 891.44: DC 12 V < U_B ≤ 30 V Ex-Ausführung, Typ 892.44: DC 14 V < U_B ≤ 30 V
Einfluss der Hilfsenergie	≤ 0,1 % v. Endwert/10 V
Zulässige Restwelligkeit	≤ 10 % ss
Ausgangssignal	4 ... 20 mA, 2-Leiter
Zulässige max. Bürde R_A	R_A ≤ ($U_B - 12$ V)/0,02 A mit R_A in Ω und U_B in V, jedoch max. 600 Ω
Bürdeneinfluss	≤ 0,1 % vom Endwert
Einstellbarkeit	
Elektrischer Nullpunkt	durch Überbrückung der Klemmen 5 und 6 oder bei Option BCD-Schalter über Taste ¹⁾
Skalenauswahl (Option)	4 Skalen über BCD-Schalter einstellbar
Kennlinienabweichung	≤ 1,0 % d. Spanne (Grenzpunkteinstellung)
Kompensierter Temperaturbereich	-40 ... +80 °C
Temperaturkoeffizienten im kompensierten Temperaturbereich	
Mittlerer TK Nullpunkt	≤ 0,3 % d. Spanne/10 K
Mittlerer TK Spanne	≤ 0,3 % d. Spanne/10 K
Elektrischer Anschluss	Kabeldose PA 6, schwarz Nach VDE 0110 Isolationsgruppe C/250 V Kabelverschraubung M20 x 1,5 Zugentlastung 6 Schraubklemmen + PE für Leiterquerschnitt 2,5 mm ²
Elektrische Sicherheit	Verpolungs- und Überspannungsschutz
Schutzart	IP65 nach EN/IEC 60529
Sicherheitstechnische Höchstwerte für Ex-Ausführung, Typ 892.44	
Hilfsenergie U_i	DC 14 ... 30 V
Kurzschlussstrom I_i	≤ 100 mA
Leistung P_i	≤ 720 mW
Innere Kapazität C_i	17,5 nF
Innere Induktivität L_i	vernachlässigbar

1) Nur innerhalb von 30 Sekunden nach Anlegen der Spannungsversorgung möglich



EU-Konformitätserklärung EU Declaration of Conformity

Dokument Nr.: 14336004.01
Document No.:

Wir erklären in alleiniger Verantwortung, dass die mit CE gekennzeichneten Produkte
We declare under our sole responsibility that the CE marked products

Typenbezeichnungen: 712.15.1x0 mit Option I with option +892.44 ⁽¹⁾
Type Designations: 732.15.1x0 mit Option I with option +892.44 ⁽¹⁾

Beschreibung: Druckmessgerät mit integriertem 4 – 20 mA Ausgang
Description: Pressure gauges with integrated 4 – 20 mA output

gemäß gültigen Datenblättern:
according to the valid data sheets: PM 07.29, PM 07.30

die wesentlichen Schutzanforderungen der folgenden Richtlinien erfüllen: Harmonisierte Normen:
comply with the essential protection requirements of the directives: Harmonized standards:

2011/65/EU	Gefährliche Stoffe (RoHS) Hazardous substances (RoHS)	EN 50581:2012
2014/30/EU	Elektromagnetische Verträglichkeit (EMV) Electromagnetic Compatibility (EMC)	EN 61326-1:2013 EN 61326-2-3:2013
2014/34/EU	Explosionsschutz (ATEX) ⁽²⁾ Explosion protection (ATEX) ⁽²⁾	EN 60079-0:2012 +A11:2013 EN 60079-11:2012
	II 2G Ex ia IIC T6/T5/T4 Gb	

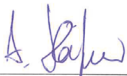
(1) x Nenngröße (NG): 0 = 100 mm / 6 = 160 mm
x Nominal size (NS):

(2) EU-Baumusterprüfbescheinigung BVS 15 ATEX E 073 X von DEKRA EXAM GmbH, Bochum (Reg.-Nr. 0158).
EU type-examination certificate BVS 15 ATEX E 073 X von DEKRA EXAM GmbH, Bochum (Reg. no. 0158).

Unterschiedet für und im Namen von / Signed for and on behalf of

WIKAI Alexander Wiegand SE & Co. KG

Klingenberg, 2019-06-18


Alfred Häfner, Vice President
Process Instrumentation Pressure


Dr. Michael Glombitza, Head of Quality Management
Process Instrumentation Pressure

WIKAI Alexander Wiegand SE &
Co. KG
Alexander Wiegand-Strasse 30
63911 Klingenberg
Germany

Tel. +49 9372 132-0
Fax +49 9372 132-406
E-Mail info@wika.de
www.wika.de

Kommanditgesellschaft: Sitz Klingenberg –
Amtsgericht Aschaffenburg HRA 1819

Komplementärin:
WIKAI International SE - Sitz Klingenberg -
Amtsgericht Aschaffenburg HRB 10505
Vorstand: Alexander Wiegand
Vorsitzender des Aufsichtsrats: Dr. Max Egli

19AR-03323

Technical alteration rights reserved.
Technische Änderungen vorbehalten.

WIKA subsidiaries worldwide can be found online at www.wika.com.
WIKA-Niederlassungen weltweit finden Sie online unter www.wika.de.



WIKAI Alexander Wiegand SE & Co. KG

Alexander-Wiegand-Straße 30

63911 Klingenberg/Germany

Tel. +49 9372 132-0

Fax +49 9372 132-406

info@wika.de

www.wika.de