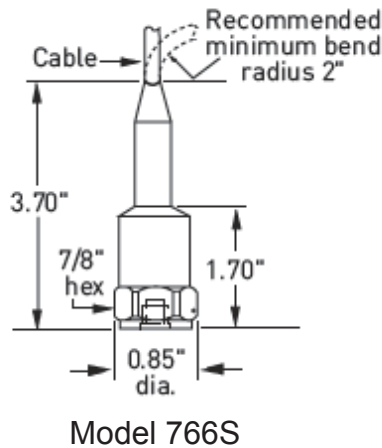
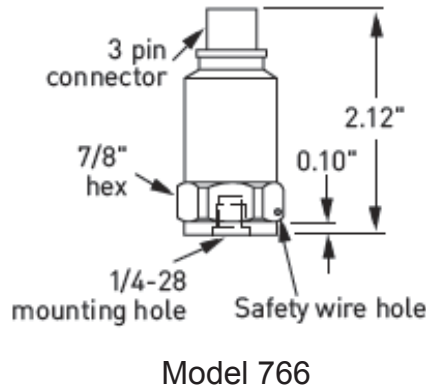


Industrial piezoelectric accelerometer with broad frequency response

766



Connections	
Function	Connector
case	Pin A
common	Pin B
signal/power	Pin C

Key features

- Corrosion resistant
- Hermetically sealed
- Ground isolated
- ESD protection
- Reverse wiring protection
- Intrinsic safety certified options available

Certifications



Note: Due to continuous process improvement, specifications are subject to change without notice. This document is cleared for public release.

Wilcoxon Sensing Technologies
 20511 Seneca Meadows Parkway
 Germantown, MD 20876
 info@wilcoxon.com

Tel: (301) 330 8811
 Fax: (301) 330 8873
 www.wilcoxon.com

Wilcoxon Sensing Technologies
 An Amphenol Company

Industrial piezoelectric accelerometer with broad frequency response 766

SPECIFICATIONS

Sensitivity, ±5%, 25° C	100 mV/g
Acceleration range	80 g peak
Amplitude nonlinearity	1%
Frequency response:	
± 5%	2.0 - 10,000 ¹ Hz
± 10%	1.0 - 12,000 Hz
± 3 dB	0.6 - 15,000 Hz
Resonance frequency, mounted, nominal	33 kHz
Transverse sensitivity, max	5% of axial
Temperature response:	
-50° C	-10%
+120° C	+8%
Power requirement:	
Voltage source	18 - 30 VDC
Current regulating diode ²	2 - 10 mA
Electrical noise, equiv. g, nominal:	
Broadband 2.5 Hz to 25 kHz	550 µg
Spectral 10 Hz	10 µg/√Hz
100 Hz	5.0 µg/√Hz
1,000 Hz	5.0 µg/√Hz
Output impedance, max	100 Ω
Bias output voltage, nominal	12 VDC
Grounding	case isolated, internally shielded
Temperature range	-50 to +120° C
Vibration limit	500 g peak
Shock limit	5,000 g peak
Electromagnetic sensitivity, equiv. g	10 µg/gauss
Base strain sensitivity	0.0005 g/µstrain
Weight	78 grams
Case material	316L stainless steel
Mounting	1/4-28 tapped hole
Output connector	MIL-C-26482 style, 3-pin
Cabling:	
Mating connector	Wilcoxon R4 (Amphenol PT06A-8-3S (SR))
Recommended cable	J9T2, two conductor shielded, Tefzel [®] jacket, 30 pF/ft

Contact

Wilcoxon Sensing
Technologies

20511 Seneca Meadows Parkway
Germantown MD 20876, USA

Tel: +1 301 330 8811
Fax: +1 301 330 8873

info@wilcoxon.com

www.wilcoxon.com

Accessories supplied:

- Calibration data
- SF6 mounting stud

Accessories available:

R4SL splash-proof cable assembly (not field installable, must be ordered with unit), magnetic mounting bases, SF8 cementing studs, power supplies, amplifiers

Notes: ¹ The high frequency response disregards minor localized aberrations.

² A maximum current of 6 mA is recommended for operating temperatures in excess of 100°C.

Note: Due to continuous process improvement, specifications are subject to change without notice.
This document is cleared for public release.

Wilcoxon Sensing Technologies
20511 Seneca Meadows Parkway
Germantown, MD 20876
info@wilcoxon.com

Tel: (301) 330 8811
Fax: (301) 330 8873
www.wilcoxon.com

Wilcoxon Sensing Technologies
An Amphenol Company