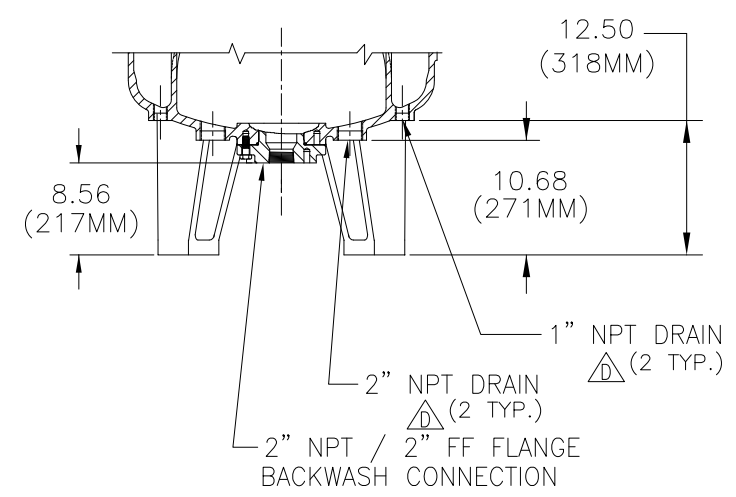
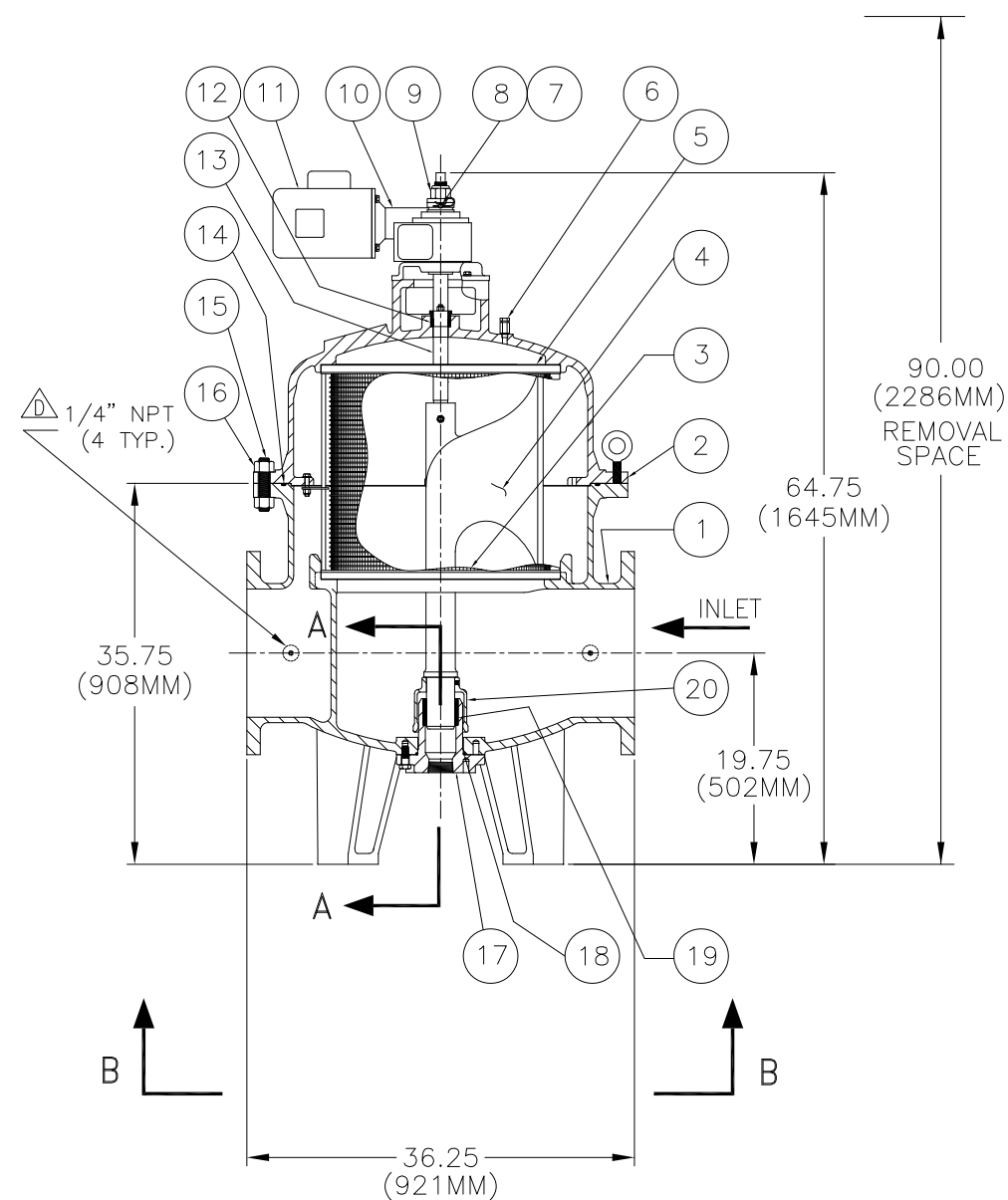
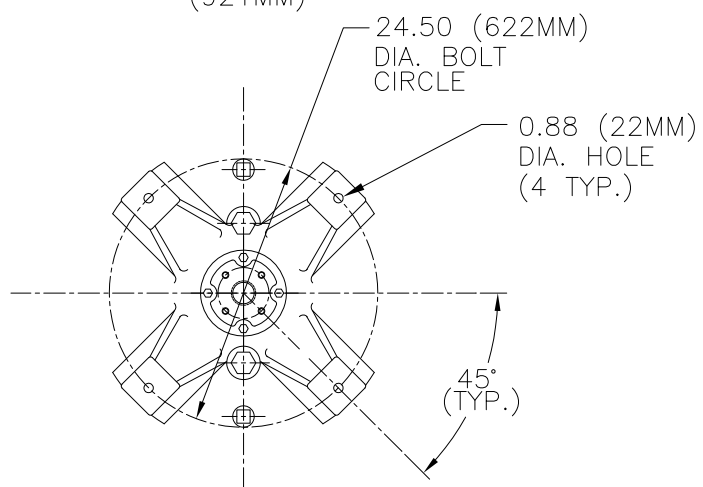


REVISIONS				
REV	DESCRIPTION	BY	ECO	DATE
D	UPDATE TITLE BLOCK ADD DRAINS, 19 WAS DELRIN	JJ	0084310	4/5/2013



SECTION "A-A"



VIEW "B-B"
MOUNTING ARRANGEMENT

- NOTES:
- ALL FLANGE CONNECTIONS CONFORM TO ANSI B16.42.
 - FOR REPLACEMENT PARTS, MODEL NO., SIZE, AND SERIAL NO., FROM THE STRAINER NAMEPLATE MUST BE FURNISHED.
 - DESIGN CONDITIONS: 150 PSI @ 150° F (10.3 BAR @ 65.5° C)
 - WEIGHT: DRY-1880 LBS. (855 KGS.)
WET-2675 LBS. (1216 KGS.)
COVER WEIGHT: 705 (320 KGS.)
 - THIS UNIT IS DESIGNED AND STAMPED IN ACCORDANCE WITH THE CURRENT ASME SECTION VIII, DIV.1 PRESSURE VESSEL CODE WITH THE CURRENT ADDENDA.
 - MDMT: -20°F. @ 150 PSI

NO.	PART NAME	MATERIAL
1	BODY	DUCTILE IRON SA 395
2	COVER	DUCTILE IRON SA 395
3	ELEMENT	STAINLESS STEEL
4	BACKWASH ARM	DUCTILE IRON ASTM A 395
5	GASKET	BUNA-N
6	VENT VALVE 1/4" NPT	BRASS
7	COTTER PIN	STEEL
8	DRIVE PIN	STAINLESS STEEL
9	ELASTIC STOP NUT	STAINLESS STEEL
10	GEAR REDUCER	CAST IRON
11	MOTOR - 1/4 HP	---
12	QUAD SEAL	BUNA
13	BACKWASH SHAFT	STAINLESS STEEL
14	O-RING	BUNA-N
15	STUD	SA 193 GR.B7 - CSTL
16	HEX NUT	SA 194 GR.2H - CSTL
17	PILOT BUSHING HOUSING	DUCTILE IRON SA 395
18	O-RING	BUNA-N
19	PILOT BUSHING	COMPOSITE
20	BACKWASH ARM GUIDE	DUCTILE IRON ASTM A 395

TOLERANCES (UNLESS OTHERWISE SPECIFIED)

DECIMAL:	.X ± .030 .XX ± .010 .XXX ± .005
FRACTIONAL:	± 1/16
NOZZLE Q TO FLOOR:	3/8" < 4' > 1/2"
FACE TO FACE:	3/8" < 4' > 1/2"
ANGULAR:	± 1'
FLANGES (H/V):	± 1/2"
VESSEL OVERALL HT:	± 1"

BOLT HOLES MUST STRADDLE Q
MACHINED PARTS TO BE FREE OF BURRS
FOR ADDITIONAL TOLERANCE DETAILS
REF. ES-211, ES-222 AND ES-223
REVIEWED FOR CLASSIFICATION PER PR-4

CRITICAL SIGNIFICANT

CUSTOMER INFO	
NAME	
P.O. NO.	
TAG NO.	
S.O. NO.	
PART NO.	25961200709

DRAWN BY FC		EATON FILTRATION, LLC DESIGN CENTER TINTON FALLS, NEW JERSEY, USA • PORTAGE, MICHIGAN, USA		
SCALE AS DRAWN				
RESTRICTION RESTRICTED		TITLE 12" MODEL 2596 SELF-CLEANING STRAINER 150# FF FLANGE DUCTILE IRON CODE STAMPED		
SHEET 1 OF 1		DATE 6/23/00	SIZE B	DWG FILENAME SD259662
PROJECTION THIRD ANGLE		REV D		

EATON CORPORATION - CONFIDENTIAL AND PROPRIETARY NOTICE TO PERSONS RECEIVING THIS DRAWING AND/OR TECHNICAL INFORMATION
THIS DOCUMENT, INCLUDING THE DRAWING AND INFORMATION CONTAINED THEREON IS CONFIDENTIAL AND IS THE EXCLUSIVE PROPERTY OF EATON AT ANY TIME. BY TAKING THE POSSESSION OF THIS DOCUMENT THE RECIPIENT ACKNOWLEDGES AND AGREES THAT THIS DOCUMENT CANNOT BE USED IN ANY MANNER ADVERSE TO THE INTEREST OF EATON AND THAT NO PORTION OF THIS DRAWING MAY BE COPIED OR OTHERWISE REPRODUCED WITHOUT THE PRIOR WRITTEN CONSENT OF EATON, IN THE CASE OF CONFLICTING CONTRACTUAL PROVISIONS, THIS NOTICE SHALL GOVERN THE STATUS OF THIS DOCUMENT.
2013 EATON CORPORATION - ALL RIGHTS RESERVED.