

Linear Luminaire Sheet Steel for Fluorescent Lamps

Series 6412/11



E2

www.stahl.de



- > For use in Zones 2, 21 & 22
- > Extra flat version for low mounting depth
- > In 2- or 4-lamp version
- > Powder-coated sheet-steel or stainless steel
- > Central lock



17234E00

Series 6412 light fittings are preferred for use in spraying and painting installations.

Zone	ATEX / IECEx					
	0	1	2	20	21	22
For use in			x		x	x

WebCode 6412B

Linear Luminaire Sheet Steel for Fluorescent Lamps

Series 6412/11

Selection Table

Version	Cable glands	Number of lamps	Lamp wattage W	Material	Order number
Linear Luminaire Sheet Steel for Fluorescent Lamps Series 6412/11	3 x M25	2	18	Sheet steel	6412/1112-2851-0100-11
				Stainless steel	6412/1112-2851-0100-14
		4	18	Sheet steel	6412/1114-2851-0100-11
				Stainless steel	6412/1114-2851-0100-14
		2	36	Sheet steel	6412/1116-2851-0100-11
				Stainless steel	6412/1116-2851-0100-14
	3 x M20	2	18	Sheet steel	6412/1112-2858-0100-11
				Stainless steel	6412/1112-2858-0100-14
		4	18	Sheet steel	6412/1114-2858-0100-11
				Stainless steel	6412/1114-2858-0100-14
		2	36	Sheet steel	6412/1116-2858-0100-11
				Stainless steel	6412/1116-2858-0100-14
	4	36	Sheet steel	6412/1122-4851-0100-11	
			Stainless steel	6412/1122-4851-0100-14	
	3 x M20	2	18	Sheet steel	6412/1112-2858-0100-11
				Stainless steel	6412/1112-2858-0100-14
		4	18	Sheet steel	6412/1114-2858-0100-11
				Stainless steel	6412/1114-2858-0100-14
2		36	Sheet steel	6412/1116-2858-0100-11	
			Stainless steel	6412/1116-2858-0100-14	
4	36	Sheet steel	6412/1122-4858-0100-11		
		Stainless steel	6412/1122-4858-0100-14		
2	58	Sheet steel	6412/1126-4851-0100-11		
		Stainless steel	6412/1126-4851-0100-14		
4	58	Sheet steel	6412/1126-4858-0100-11		
		Stainless steel	6412/1126-4858-0100-14		

Order Number Supplement

Connection terminal	Spring clamp terminal up to 4 mm ²	6412/1.....-.....-1
	Screw terminal up to 6 mm ²	6412/1.....-.....-4

Note

The lights are delivered without fluorescent lamps and assembly parts. These parts must be ordered separately!

Explosion Protection

Global (IECEx)

Gas and dust	IECEx BVS 14.0114 Ex nA IIC T4 Gc Ex tb IIIC T80°C Db
--------------	---

Europe (ATEX)

Dust	BVS 14 ATEX E 160 ⊕ II 2D Ex tb IIIC T80°C Db
Gas and dust	BVS 14 ATEX E 163 ⊕ II 3G Ex nA IIC T4 Gc ⊕ II 3D Ex tc IIIC T80°C Dc

Certifications and certificates

Certificates	IECEx, ATEX, India (PESO)
--------------	---------------------------

Linear Luminaire Sheet Steel for Fluorescent Lamps

Series 6412/11



E2

Technical Data

Electrical data

Control gear	Lamp start	Cold start
	Voltage	220 to 240 V AC
	DC voltage in case of ignition	198 to 264 V DC
	DC voltage during operation	176 to 264 V DC
	Frequency	0 / 50 to 60 Hz
	Lamp operation DC	2 lamps
	Lamp standard	IEC 60081
	Lamp power	18 W, 36 W, 58 W
	Nominal current	2 x 18 W: 150 to 170 mA 2 x 36 W: 300 to 320 mA 2 x 58 W: 480 to 500 mA 4 x 18 W: 300 to 340 mA 4 x 36 W: 600 to 640 mA 4 x 58 W: 960 to 1000 mA
	Power factor $\cos \varphi$	≥ 0.97

Ambient conditions

Operating temperature range	-30 to +50 °C (version 18 W and 58 W) -35 to +55 °C (version 36 W)
-----------------------------	---


Mechanical data

Degree of protection	IP65 IP64 when using breather 8162 IP66 when using the flushing frame (IEC 60598)
Protection class	I (with internal PE-terminal)
Impact strength (IK code)	IK 10 (IEC 62262)
Material	
Enclosure	Sheet-steel, powder-coated, white, similar to RAL 9016 Brushed stainless steel SS304 (V2A 1.4301) Brushed stainless steel SS316L (V4A 1.4404)
Lens	Safety glass
Seal	Foamed silicone seal in luminaire enclosure
Luminaire locking	Central locking; glass cover hinged for access

Mounting / Installation


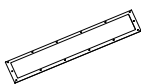
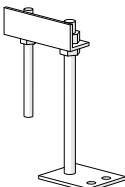

Cable glands	Included as standard: 1 x M20 / M25 left 2 x M20 / M25 right 1 x cable gland 1 x cable gland with red plug 1 x stopping plug
Connection	Spring clamp terminal up to 4 mm ² 3-pole (2 x L1, 2 x N, 2 x PE) 5-pole (2 x L1, 2 x L2, 2 x L3, 2 x N, 2 x PE) Screw terminal up to 6 mm ² 3-pole (2 x L1, 2 x N, 2 x PE) 5-pole (2 x L1, 2 x L2, 2 x L3, 2 x N, 2 x PE)
Through wiring	optional (max. 12 A)
Assembly	Recessed light fitting: Variant 1: flushing frame attached to enclosure using M6 screws Variant 2: flushing frame welded to enclosure Note: For both installation versions, the luminaires must either be mounted on the back or the sides of the luminaire using the M8 threads.

Accessories and Spare Parts

Designation	Figure	Description	Art. no.	Weight kg
Fluorescent lamps	 04938E00	18 W 1350 lm	108952	0.100
		36 W 3350 lm	108951	0.200
		58 W 5200 lm	108950	0.220

Linear Luminaire Sheet Steel for Fluorescent Lamps Series 6412/11

Accessories and Spare Parts

Designation	Figure	Description	Art. no.	Weight kg
Breathing gland	 05703E00	for installation in lights; in moulded material; without counter nut		
		Thread: M25 x 1.5 1 pc	138573	0.010
		Thread: M25 x 1.5 20 pcs	138576	0.200
Mounting frame	 17868E00	Mounting frame to cover the gap between the light fitting and ceiling/wall. A fastening set is required to mount the light fitting.		
		Length Width Material		
		722 mm 422 mm Sheet steel powder coated	226560	3.025
		722 mm 422 mm Stainless steel SS316L (V4A 1.4404)	226562	3.075
		1382 mm 422 mm Sheet steel powder coated	226563	4.371
		1382 mm 422 mm Stainless steel SS316L (V4A 1.4404)	226565	4.441
		1682 mm 422 mm Sheet steel powder coated	226566	4.871
		1682 mm 422 mm Stainless steel SS316L (V4A 1.4404)	226568	4.951
		722 mm 522 mm Sheet steel powder coated	226569	3.190
		722 mm 522 mm Stainless steel SS316L (V4A 1.4404)	226571	3.240
		1382 mm 522 mm Sheet steel powder coated	226572	4.544
		1382 mm 522 mm Stainless steel SS316L (V4A 1.4404)	226574	4.614
		1682 mm 522 mm Sheet steel powder coated	226575	5.035
1682 mm 522 mm Stainless steel SS316L (V4Av 1.4404)	226577	5.125		
Fastening set	 19755E00	for mounting in wall or ceiling	246017	1.356
Ring bolt	 05378E00	M8, direct mounting in insert nuts	115736	0.115

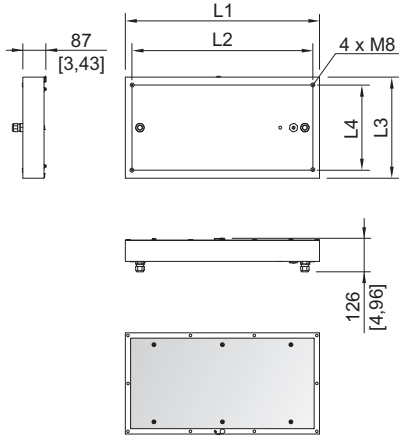
Linear Luminaire Sheet Steel for Fluorescent Lamps

Series 6412/11



E2

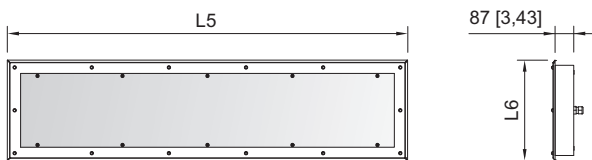
Dimensional Drawings (All Dimensions in mm [inches]) – Subject to Alterations



17246E00

Light Fitting universal

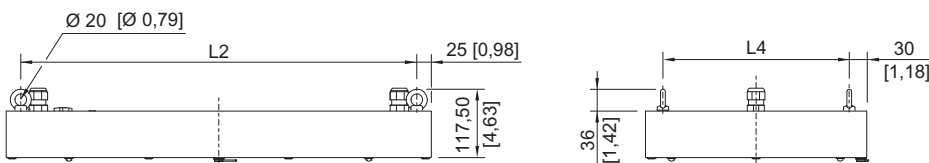
	Number of lamps	18 W	36 W	58 W
L1	2	730 [28.74]	1340 [52.76]	1640 [64.57]
	4			
L2	2	670 [26.38]	1280 [50.39]	1580 [62.20]
	4			
L3	2	380 [14.96]		
	4	480 [18.90]		
L4	2	320 [12.60]		
	4	420 [16.54]		



17244E00

Light Fitting universal with frame for recessed mounting

	Number of lamps	18 W	36 W	58 W
L5	2	722 [28.43]	1382 [54.51]	1682 [66.22]
	4			
L6	2	422 [16.61]		
	4	522 [20.55]		

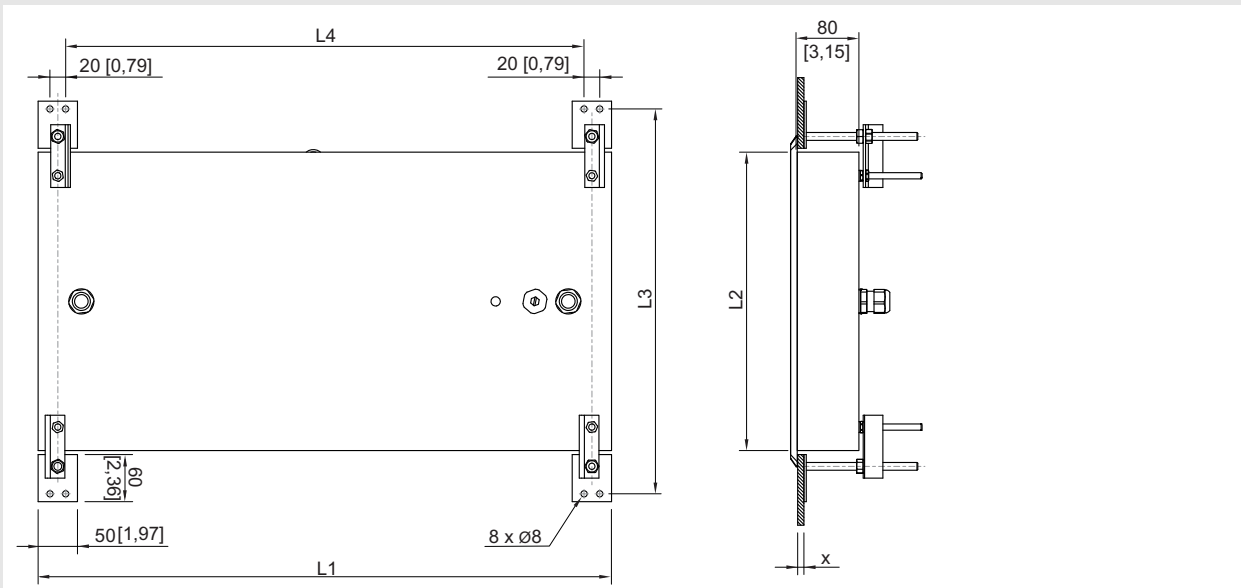


17246E00

Mounting with ring bolts

	Number of lamps	18 W	36 W	58 W
L2	2	670 [26.38]	1280 [50.39]	1580 [62.20]
	4			
L4	2	320 [12.60]		
	4	420 [16.54]		

Linear Luminaire Sheet Steel for Fluorescent Lamps Series 6412/11



20024E00

Recessed mounting in wall or ceiling

	Number of lamps	18 W	36 W	58 W
L1	2	730 [28.74]	1340 [52.76]	1640 [64.57]
	4			
L2	2	380 [14.96]		
	4	480 [18.90]		
L3	2	490 [19.29]		
	4	590 [23.23]		
L4	2	660 [25.98]	1260 [49.61]	1560 [61.42]
	4			

x = 10 [0.39] ... 125 [4.92]



17269E00

Mounting Cut-Out

	Number of lamps	18 W	36 W	58 W
a	2	390 [15.35]		
	4	490 [12.29]		
b	2	740 [29.13]	1350 [53.15]	1650 [64.96]
	4			

We reserve the right to make alterations to the technical data, dimensions, weights, designs and products available without notice. The illustrations cannot be considered binding.