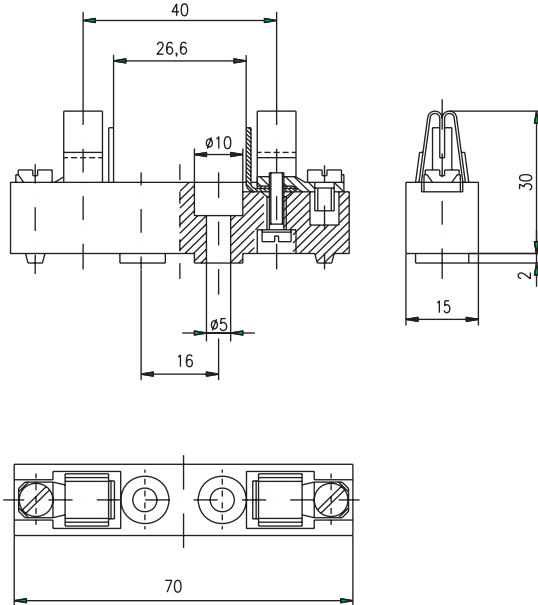


Holder / No. 416

Screw Mount, for Surge Arresters Type A

Specifications



Packaging

loose in cardboard box (50 pcs.)

Mounting

Mounting holes D = 5 mm

Electrical connection with fixing screws
M 4 x 6 mm

Materials

Ni plated alloys and porcelain socket

Electrical Data (23°C)

Max. impulse discharge current
20 kA

Max. alternating discharge current
40 A (50 Hz)

Unit Weight

46.5 g

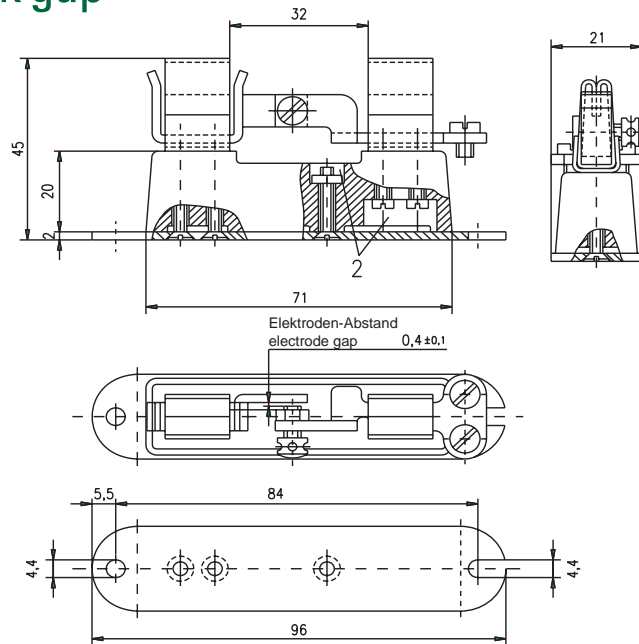
Order Information

Qty.	Order Number	Series		Type
		416	0000	100

Holder / No. 740
with spark gap

Screw Mount, for Surge Arresters Type A

Specifications



Packaging

loose in cardboard box (20 pcs.)

Mounting

Mounting holes D = 4 mm

Electrical connection with fixing screws
M 4 x 6 mm

Materials

Ni plated alloys and porcelain socket

Electrical Data (23°C)

Max. impulse discharge current
20 kA

Max. alternating discharge current
40 A (50 Hz)

Breakdown voltage spark gap < 2 kV
(without arrester)

Unit Weight

124.0 g

Order Information

Qty.	Order Number	Series		Type
		740	0000	100

Specifications are subject to change without notice