

Stainless Steel Flow Control Regulators

Stainless steel flow control regulators are used to **regulate the speed of a cylinder rod** as well as gas flow in environments with high mechanical or chemical constraints.

Product Advantages

Robust | Suitable for corrosive environments
Excellent mechanical and chemical resistance
100% leak-tested in production
No contamination of conveyed fluids

Optimised Design | Smooth external surfaces to facilitate cleaning
Fully compatible with food environments
Accurate and easy adjustment

Applications
Food Process
Robotics
Textile
Semi-Conductors
Packaging
Pneumatics
Automotive Process

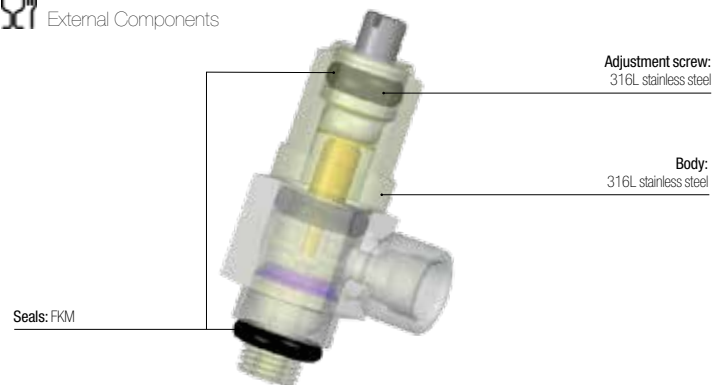
Technical Characteristics

Compatible Fluids	Compressed air 7822: all compatible fluids depending on whether FKM or PTFE seals are used
Working Pressure	7810-7812: 1 to 10 bar 7820: 1 to 16 bar 7822: 1 to 40 bar
Working Temperature	7810 – 7812: 0°C to +70°C 7820 – 7822: -15° to +120°C

Component Materials



External Components

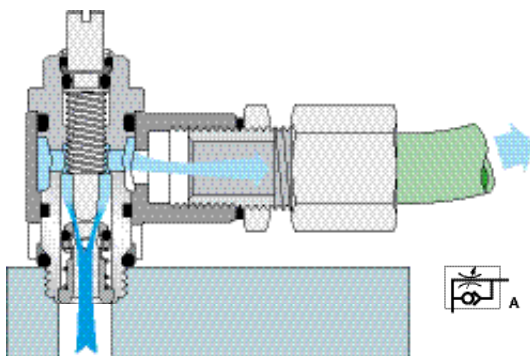


Regulations

DI: 2002/95/EC (RoHS)
RG: 1907/2006 (REACH)
DI: 97/23/EC (PED)
RG: External Components: 21CFR (FDA)
RG: External Components: 1935/2004/EC

Operation

Exhaust Model with External Adjustment



Bi-Directional Model with External Adjustment

