

## Indoor and Weather Proof Manual Call Points Series MCP and WCP



- > CPD approved
- > Fully approved to the latest standards
- > Enhanced aesthetics
- > Unique 'Plug & Play' installation concept
- > Anti-Tamper facility
- > Surface mount
- > Approved for EN 54 part 11
- > Lift flap available

www.stahl.de




16455E00

E5

Product series WCP and MCP conventional manual call points. Certified for use on fire systems. The devices can also be used to provide a manual interface emergency switch for a number of non fire related applications. WCP is supplied with ingress protection IP67, MCP is IP24D. Both product types can be supplied open contact with 470  $\Omega$  resistor or open/closed contact.

### Approvals

Certificates		EN54-11:2001	
	LPCB-BRE	CPR	MCP1A-0832-CPD-0642
			MCP3A-0832-CPD-0648
			WCP1A-0832-CPD-0654
			WCP3A-0832-CPD-0659



WebCode MCPWCPA

# Indoor and Weather Proof Manual Call Points

## Series MCP and WCP



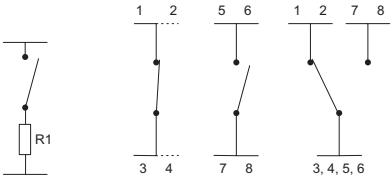
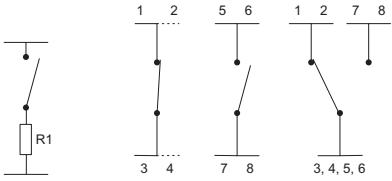
### Selection Table

Version	Electrical configuration		Operating element	Order number	Art.no.	Weight kg
	Resistor	Contacts				
 Indoor Manual Call Points Series MCP 16453E00	470 Ω	N/O	flexible	<b>MCP1A-R470SF-K013-01</b>	<b>227329</b>	0.180
		N/O & N/C	flexible	<b>MCP3A-R000SF-K013-01</b>	<b>227330</b>	0.180
 All Weather Manual Call Points Series WCP 16454E00	470 Ω	N/O	flexible	<b>WCP1A-R470SF-K013-01</b>	<b>227331</b>	0.350
		N/O & N/C	flexible	<b>WCP3A-R000SF-K013-01</b>	<b>227332</b>	0.350

Note Other variants available on request

### Technical Data

#### Electrical data

Version Connection details	MCP		WCP	
	MCP1	MCP3	WCP1	WCP3
				
Connection terminals	0.5 ... 2.5 mm <sup>2</sup>		0.5 ... 2.5 mm <sup>2</sup>	
Maximum voltage	30 V DC		30 V DC	
Switch rating	2 A		2 A	

#### Ambient conditions

Version	MCP	WCP
Operating temperature	-10 ... +55 °C	-25 ... +70 °C
Storage temperature	-10 ... +50 °C	-25 ... +70 °C
Relative humidity	0 ... 93 +/- 3% non-condensing	0 ... 93 +/- 3% non-condensing

#### Mechanical data

Version	MCP	WCP
Degree of protection	IP24D	IP67
Enclosure		
Enclosure material	PC/ABS	PC/ABS
Enclosure colour	red, RAL 3001	red, RAL 3001

#### Mounting / Installation

Version	MCP	WCP
Mounting	surface	surface

# Indoor and Weather Proof Manual Call Points

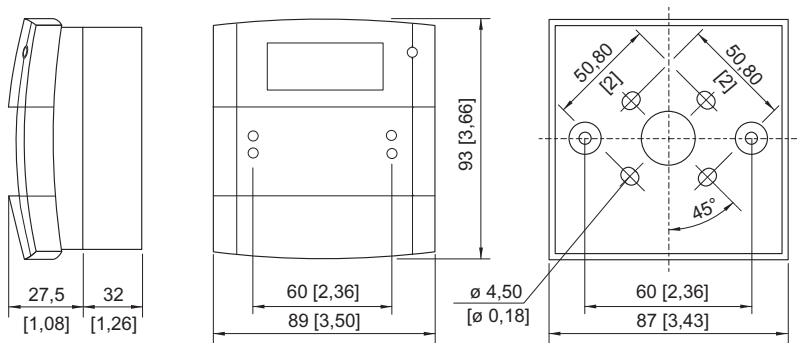
## Series MCP and WCP



### Accessories and Spare Parts

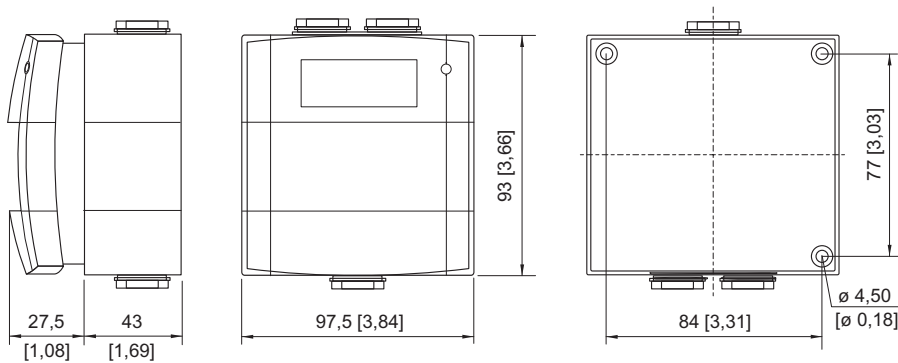
Designation	Description	Packing unit pieces	Art. no.	Weight kg
Test key	Replacement test key	10	<b>227324</b>	0.100
Break glass	Replacement break glass	5	<b>227325</b>	0.200
Operating element, flexible	Replacement operating element	1	<b>227326</b>	0.100
Lift flap	Optional lift flap, plastic	1	<b>227327</b>	0.100
Terminal block	Replacement terminal blocks	20	<b>227328</b>	0.100

### Dimensional Drawings (All Dimensions in mm [inches] - Subject to Alterations)



16458E00

### Series MCP



16459E00

### Series WCP

We reserve the right to make alterations to the technical data, dimensions, weights, designs and products available without notice. The illustrations cannot be considered binding.

E5