

## Automatic Self-cleaning Strainers

# Model 2596 10"-16"

Pipeline  
Strainer

Cast  
Construction

Permanent  
Media



Model 2596 10"

*Eaton's Model 2596 automatic self-cleaning cast pipeline strainers are available in 10", 12", 14" and 16" sizes. The Model 2596 is recognized across industries for its continuous flow, simplified maintenance and worry-free operation.*

### Features / benefits

- Flow rates up to 6,500 gpm (1,476 m<sup>3</sup>/h)
- A broad selection of screen options
- Automatic backwashing
- Exclusive idL™ seal for leak free service
- Unitized modular assembly for easy maintenance
- Cast ductile iron construction

The Eaton Model 2596 automatic self-cleaning strainer is designed for the continuous removal of entrained solids from liquids in pipeline systems.

With an automated control system monitoring the strainer operation, cleaning is accomplished by an integral backwash system. A small portion of the screen element is isolated and cleaned by reverse flow while the remaining screen area continues to strain—providing uninterrupted flow. This efficient design uses only a small amount of the liquid being strained to carry debris away from the strainer element.

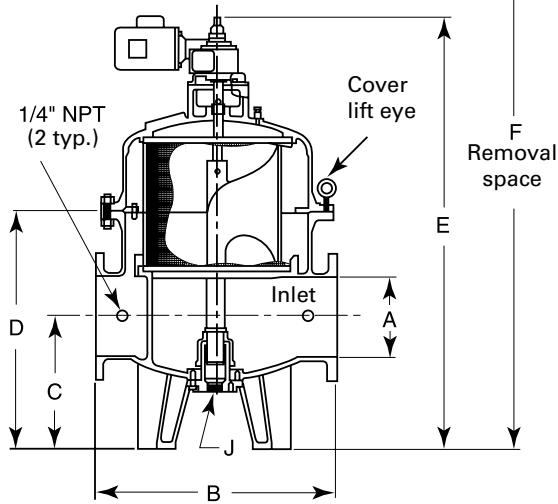
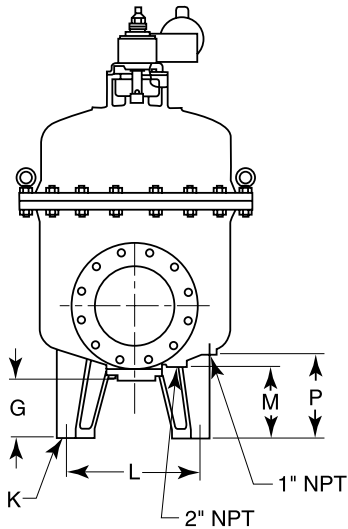
The Model 2596 features the idL shaft seal that positively prevents leakage from the backwash shaft at the top of the strainer. This unique quad seal keeps the exterior of the strainer dry and prevents external leakage or weeping of the process media down the sides of the strainer.

To simplify maintenance the Model 2596 features a unitized modular assembly. The motor, gear reducer and the internal operating mechanism are all housed within the strainer cover and lift off as a unit. This makes all components easily accessible and reduces associated maintenance costs.

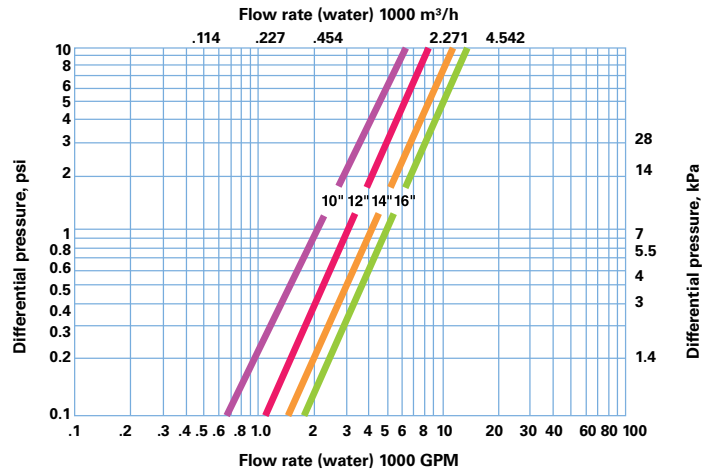
# EATON

Powering Business Worldwide

# Model 2596 10" to 16" Automatic Self-cleaning Strainers



Model 2596 10" - 16" flow rates



Pressure drop data indicates results to be expected with clean water, under normal flows with standard screens and in clean strainer.

### Application limits

- Ductile iron class 125 flange (-20 to 150 °F/-29 to 65 °C): 150 psi (10.3 bar)

### Application limit 16" size

- Ductile iron class 125 flange (-20 to 150 °F/-29 to 65 °C): 150 psi (10.3 bar)  
Based on ASME Code. Lower pressure ratings at higher temperatures

A	Approximate dimensions (in/mm)										Approximate weight (lb/kg)			
	B	C	D	E	F	G	J	K	M	P	L	Dry	Wet	Cover
10"	38-1/4 / 972	19-3/4 / 502	35-3/4 / 908	64-3/4 / 1645	90 / 2286	8-9/16 / 217	2 / 51	7/8 / 22	10-11/16 / 271	12-1/2 / 318	24-1/2 / 622	1840 / 835	2615 / 1186	705 / 320
12"	36-1/4 / 921	19-3/4 / 502	35-3/4 / 908	64-3/4 / 1645	90 / 2286	8-9/16 / 217	2 / 51	7/8 / 22	10-11/16 / 271	12-1/2 / 318	24-1/2 / 622	1880 / 853	2675 / 1213	705 / 320
14"	44 / 1118	22-1/16 / 560	42-5/16 / 1075	76-1/2 / 1943	112 / 2845	8-9/16 / 217	2 / 51	7/8 / 22	10-7/8 / 276	13-1/2 / 343	29-5/8 / 752	2810 / 1275	4360 / 1978	1050 / 476
16"	44 / 1118	22-1/2 / 571	42-5/16 / 1075	76-1/2 / 1943	112 / 2845	8-9/16 / 217	2 / 51	7/8 / 22	10 / 276	13-1/2 / 343	29-5/8 / 752	2850 / 1293	4400 / 1996	1050 / 476

**North America**  
44 Apple Street  
Tinton Falls, NJ 07724  
Toll Free: 800 656-3344  
(North America only)  
Tel: +1 732 212-4700

**Europe/Africa/Middle East**  
Auf der Heide 2  
53947 Nettersheim, Germany  
Tel: +49 2486 809-0

**Internormen Product Line**  
Friedensstraße 41  
68804 Altlufsheim, Germany  
Tel: +49 6205 2094-0

**Begerow Product Line**  
An den Nahewiesen 24  
55450 Langenlonsheim, Germany  
Tel: +49 6704 204-0

**China**  
No. 3, Lane 280,  
Linhong Road  
Changning District, 200335  
Shanghai, P.R. China  
Tel: +86 21 5200-0099

**Singapore**  
4 Loyang Lane #04-01/02  
Singapore 508914  
Tel: +65 6825-1668

**Brazil**  
Av. Julia Gaioli, 474 – Bonsucesso  
07251-500 – Guarulhos, Brazil  
Tel: +55 11 2465-8822

For more information, please  
email us at [filtration@eaton.com](mailto:filtration@eaton.com)  
or visit [www.eaton.com/filtration](http://www.eaton.com/filtration)

© 2014 Eaton. All rights reserved. All trademarks and registered trademarks are the property of their respective owners. All information and recommendations appearing in this brochure concerning the use of products described herein are based on tests believed to be reliable. However, it is the user's responsibility to determine the suitability for his own use of such products. Since the actual use by others is beyond our control, no guarantee, expressed or implied, is made by Eaton as to the effects of such use or the results to be obtained. Eaton assumes no liability arising out of the use by others of such products. Nor is the information herein to be construed as absolutely complete, since additional information may be necessary or desirable when particular or exceptional conditions or circumstances exist or because of applicable laws or government regulations.

US  
EF-SSEA-26  
6-2014

