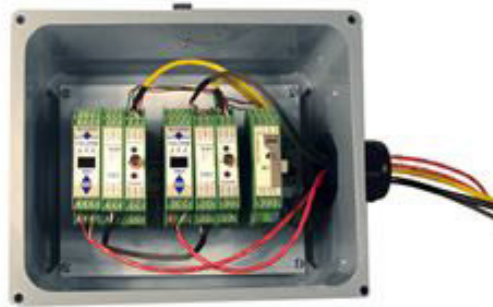


Transmitter enclosures

iT series



Wilcoxon's iT series are designed to be used as instrument enclosures, electric/hydraulic or pneumatic control housings or electrical junction boxes. For applications where PLC analysis is required, vibration modules with filters tailored to machinery can be mounted remotely. The enclosures can also house alarm modules for around the clock monitoring. The iT series are NEMA 4X rated for use in harsh environments and provide outstanding insulation and protection in highly corrosive or hot environments.

The oversized iT052 enclosure comes with two DIN rails for additional storage. The iT051C includes a clear viewing window on the front panel.

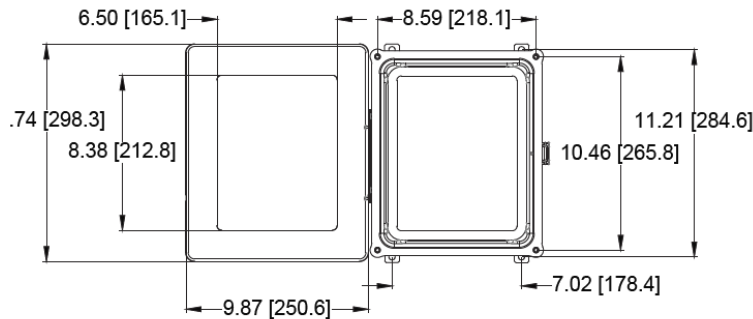
Key features

- Houses iT modules
- Rugged enclosure
- Ideal for indoor/outdoor applications
- Captive oil resistant gasket
- Manufactured in an approved ISO 9001 facility

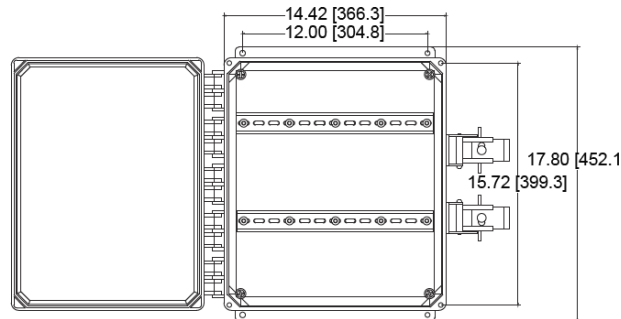
Certifications



Model iT051/iT051C



Model iT052



Note: Due to continuous process improvement, specifications are subject to change without notice. This document is cleared for public release.

Wilcoxon Sensing Technologies
 20511 Seneca Meadows Parkway
 Germantown, MD 20876
 info@wilcoxon.com

Tel: (301) 330 8811
 Fax: (301) 330 8873
 www.wilcoxon.com

Wilcoxon Sensing Technologies
 An Amphenol Company

Transmitter enclosures

iT series

SPECIFICATIONS

Output location	specify	
Material	fiberglass	
Temperature range	-40 to +266° F	-40 to +130° C
Rating	NEMA 4X/IP66	
Hinge	stainless steel continuous weld	
Latch	stainless steel butterfly knob	
Input/output fittings, user-specified	cable grips or conduit	
Mounting	4 configurable stainless steel feet	

Available models

Model	Size	Module storage	Description
iT051	10x8x6	7	Single DIN rail enclosure
iT051C	10x8x6	7	Single DIN rail enclosure, clear window on door
iT052	16x14x8	25	Dual DIN rail enclosure

To place an order, please contact Wilcoxon Sensing Technologies.

Note: Due to continuous process improvement, specifications are subject to change without notice.
This document is cleared for public release.

Wilcoxon Sensing Technologies
20511 Seneca Meadows Parkway
Germantown, MD 20876
info@wilcoxon.com

Tel: (301) 330 8811
Fax: (301) 330 8873
www.wilcoxon.com

Contact

Wilcoxon Sensing
Technologies

20511 Seneca Meadows Parkway
Germantown MD 20876, USA

Tel: +1 301 330 8811
Fax: +1 301 330 8873

info@wilcoxon.com

www.wilcoxon.com

Mounting accessories supplied:

- 4x feet
- 4x screws
- 4x washers
- termination plugs (1 per channel)
- Installation instructions