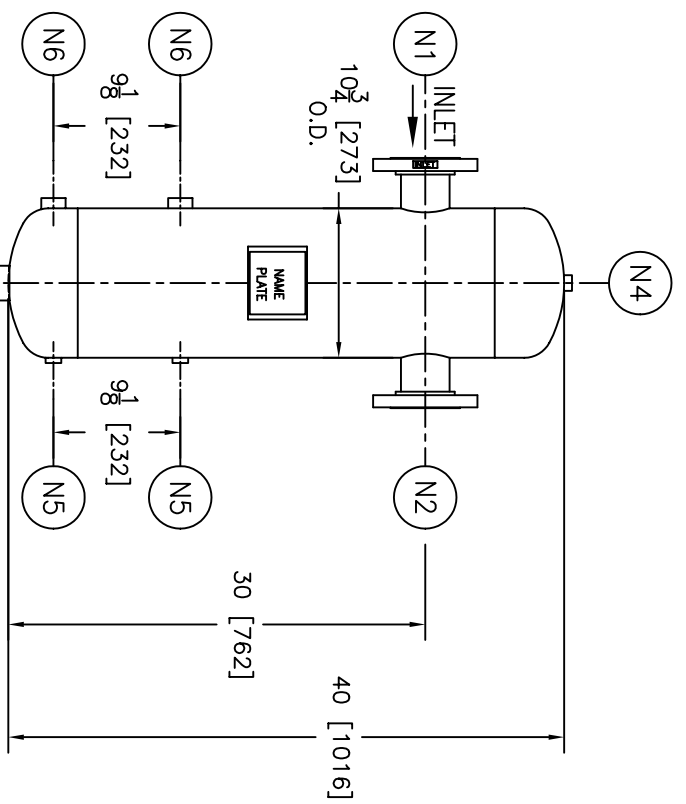


NOZZLE SCHEDULE		REV	DATE	CHANGE	ECR	BY	APP
ITEM	QTY.	NAME	DESCRIPTION				
N1	1	INLET	3"-150# RFSO, ASME B16.5	A	2/28/03		
N2	1	OUTLET	3"-150# RFSO, ASME B16.5	B	11/1/05		
N3	1	DRAIN	1 1/2" NPT 3000# HALF COUPLING	C	01/10/07		
N4	1	VENT	1/2" NPT 3000# HALF COUPLING				
N5	2	W.G. CONN.	1/2" NPT 3000# HALF COUPLING				
N6	2	LIQUID LEVEL	1" NPT 3000# HALF COUPLING				

NOTES:
 1. UNITS ARE TO BE DESIGNED, FABRICATED, AND "U" OR "UM" STAMPED (IF REQUIRED) IN ACCORDANCE WITH ASME B & PV CODE, SECTION VIII, DIVISION 1 IN COMPLIANCE TO CURRENT PUBLISHED ADDENDA.

2. ALL DIMENSIONS ARE IN INCHES [MM].
 3. ALL BOLT HOLES ARE TO STRADDLE NATURAL CENTERLINES.
 4. SHIPPING WEIGHT: 200 POUNDS.
 5. DESIGN DATA:

DESIGN PRESSURE- 150 PSIG
 DESIGN TEMPERATURE- 450°F
 MIN. DESIGN METAL TEMP.- -20°F AT 150 PSIG
 HYDROTEST PRESSURE- 195 PSIG
 CORROSION ALLOWANCE- 0 INCHES
 6. MATERIAL: CARBON STEEL.



CUSTOMER:
 P.O. NO.
 REGISTER NO.:
 TAG NO.:
 PART NUMBER: 3TS150C, 3TS150CM, 3TS150CU
STANDARD

EATON FILTRATION, LLC
 900 FARMOUNT AVENUE, ELIZABETH, NEW JERSEY 07207
 NAME: 3" TYPE "TS" GAS/LIQUID SEPARATOR, 150# FLG, C-ST'L

ELECTRONIC FILE NAME: SD3TS150C.DWG
 TOLERANCES UNLESS OTHERWISE SPECIFIED PER ENGINEERING STANDARD ES- ---
 UNAUTHORIZED USE, MANUFACTURE OR REPRODUCTION IN WHOLE OR IN PART IS PROHIBITED. DRAWING, DESIGN AND OTHER DISCLOSURES PROPERTY OF EATON FILTRATION, LLC

DATE	BY	APP
2/28/03	BZ75	FJM VA
11/1/05	DS07	FM LH
01/10/07	E401	LH FM