

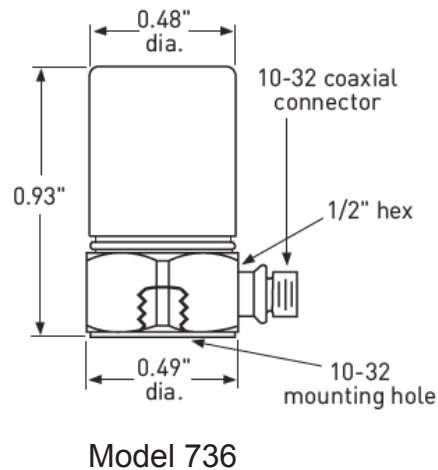
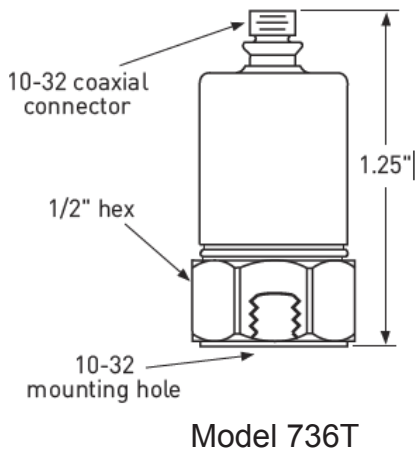
Compact, high sensitivity, high frequency accelerometers

736 and 736T



Key features

- Wide dynamic range
- Compact construction to fit in tight spaces
- Wide frequency range



Connections		
Function	Connector pin	Cable conductor
power/signal	pin	center
common	shell	shield

Note: Due to continuous process improvement, specifications are subject to change without notice.
This document is cleared for public release.

Wilcoxon Sensing Technologies
20511 Seneca Meadows Parkway
Germantown, MD 20876
info@wilcoxon.com

Tel: (301) 330 8811
Fax: (301) 330 8873
www.wilcoxon.com

Wilcoxon Sensing Technologies
An Amphenol Company

Compact, high sensitivity, high frequency accelerometers

736 and 736T

SPECIFICATIONS

Sensitivity, $\pm 5\%$, 25° C	100 mV/g
Acceleration range	50 g peak
Amplitude nonlinearity	1%
Frequency response:	
$\pm 5\%$	5 - 15,000 Hz
± 3 dB	2 - 25,000 Hz
Resonance frequency	60 kHz
Transverse sensitivity, max	7% of axial
Temperature response:	
-50° C	-10%
+120° C	+5%
Power requirement:	
Voltage source	18 - 30 VDC
Current regulating diode	2 - 10 mA
Electrical noise, equiv. g:	
Broadband	2.5 Hz to 25 kHz
Spectral	10 Hz
	100 Hz
	1,000 Hz
	10,000 Hz
	150 μ g
	10 μ g/ $\sqrt{\text{Hz}}$
	2 μ g/ $\sqrt{\text{Hz}}$
	1 μ g/ $\sqrt{\text{Hz}}$
	0.8 μ g/ $\sqrt{\text{Hz}}$
Output impedance, max	150 Ω
Bias output voltage	10 VDC
Grounding	case grounded
Temperature range:	-50 to +120° C
Vibration limit	500 g peak
Shock limit	5,000 g peak
Electromagnetic sensitivity, equiv. g	100 μ g/gauss
Base strain sensitivity, max	0.005 g/ μ strain
Sensing element design	PZT / compression
Weight	13 grams
Case material	316L stainless steel
Mounting	10-32 tapped hole
Output connector	10-32 coaxial
Mating connector	R1
Recommended cabling	J93

Contact

Wilcoxon Sensing
Technologies

20511 Seneca Meadows Parkway
Germantown MD 20876, USA

Tel: +1 301 330 8811
Fax: +1 301 330 8873

info@wilcoxon.com

www.wilcoxon.com

Accessories supplied:

- Calibration data (level 3)
- SF1 mounting stud (international customers specify mounting requirements)

Note: Due to continuous process improvement, specifications are subject to change without notice.
This document is cleared for public release.

Wilcoxon Sensing Technologies
20511 Seneca Meadows Parkway
Germantown, MD 20876
info@wilcoxon.com

Tel: (301) 330 8811
Fax: (301) 330 8873
www.wilcoxon.com

Wilcoxon Sensing Technologies
An Amphenol Company