

▼ HMT-Drive Units with interchangeable HLP-Low Profile Cassette and HSQ-Square Drive Cassette



The HMT-Series is a range of fast, durable and efficient modular hydraulic torque wrenches, enabling you to tackle almost any bolting application. Interchange cassettes with ease, switching the HLP low profile hexagon cassette with the HSQ square drive whenever your application demands.

As an added benefit, tools and cassettes are interchangeable with many other well-known brands, allowing you the freedom to use the tools at your disposal whilst reducing the cost of upgrading your legacy torque wrench inventory to high quality Enerpac equipment.

The tool itself has been carefully designed and manufactured, utilising superior alloys and surface treatments to make it lightweight, up to 25% faster and more than twice as durable as other tools in the same class.

Safety and Performance

- Supplied with an ergonomic tool safety handle as standard
- The HMT Modular Torque/Tool is also supplied with a link pin retainer as standard.

Versatility

- Interchangeable with other manufacturers
- HMT is able to solve all of your bolting challenges quickly and safely, with one or more attachment options, making it suitable for any application.

Simplicity

- The HMT is part of a modular system which is made up of a single power head and one attachment; the HMT-Drive Unit and HLP-Hexagon Cassette or HSQ-Square Drive Cassette.

Accuracy

- Accuracy of $\pm 3\%$

Modular, Durable, Fast and Efficient Torque for Low Profile and Square Drive Applications



Bolting Integrity Software

The software offers Tool selection, Bolt Load calculations and Tool pressure settings, as well as, a combined Application Data Sheet and Joint Completion Report. Custom Joint information can also be entered.

Page: 412



Back-Up Spanners

To be used to stop the back nut from turning during make up or break out. Two hexagon sizes in one tool.

Page: 217



Torque Pumps

Visit enerpac.com for system matched air and electric torque pumps that are ideal for use with hydraulic torque wrenches.

Page: 265



Torque Wrench Hoses

Use Enerpac THQ-Series hoses with HMT-Series torque wrenches to ensure the integrity of your hydraulic system. See page 249.

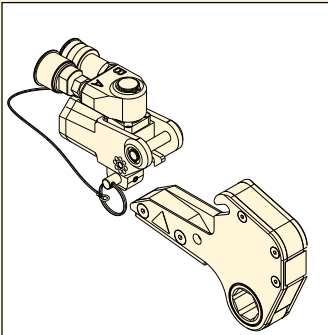
| | |
|--------------------|---------|
| 2 m long, 2 hoses | THQ702T |
| 6 m long, 2 hoses | THQ706T |
| 12 m long, 2 hoses | THQ712T |

Drive Units for Hexagon & Square Drive Cassettes

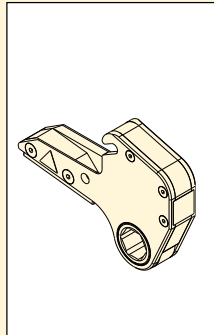


One Drive, Two Tools

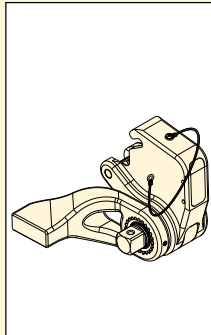
One HMT-Hydraulic Torque Wrench fits HLP-Low Profile or HSQ Square Drive cassette.



HMT...HLP



HLP



HSQ

HMT Series



Maximum Torque at 10.000 psi:

1541 - 13.489 Ft.lbs

Maximum Torque at 690 bar:

2089 - 18.289 Nm

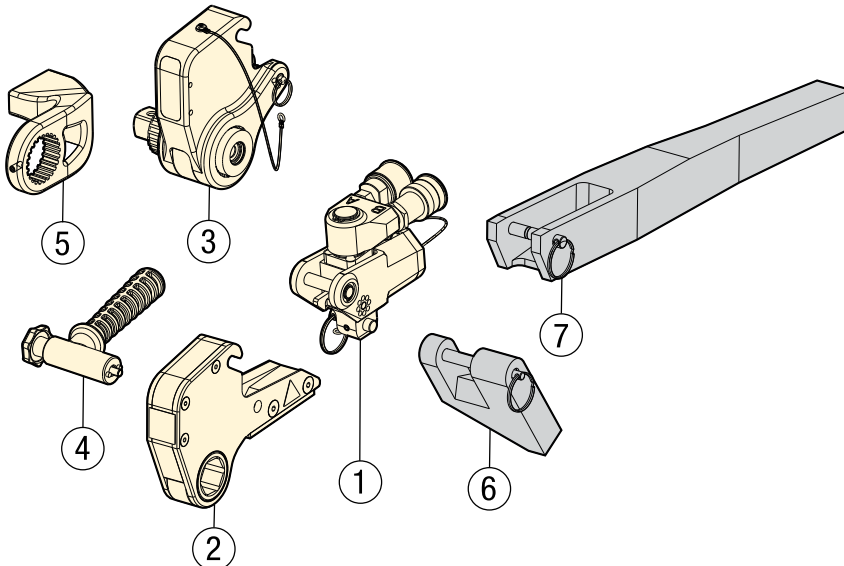
Hexagon Range:

1 1/16" - 4 5/8" / 26 - 115 mm

Maximum Operating Pressure:

690 bar / 10.000 psi

HMT-Series, Torque Wrench Options and Accessories



- ① HMT: Drive Unit (page 251)
- ② HLP: Hexagon Cassette (page 252-253)
- ③ HSQ: Square Drive Cassette (page 254-255)
- ④ SWH: Ergonomic Tool Handle (page 254)
- ⑤ Reaction Arm for HSQ
- ⑥ HRP: Reaction Paddle (page 252)
- ⑦ HTE: Extended Reaction Arm (page 252)

Optional Parts (for HMT with HLP only)



Select the Right Torque

Choose your Enerpac Torque Wrench using the untightening rule of thumb: Loosening torque equals about 250% of tightening torque.



HLP Low Profile Cassettes

For the metric and imperial Low Profile hexagon cassettes see:

Page: 252



HSQ Square Drive Cassettes

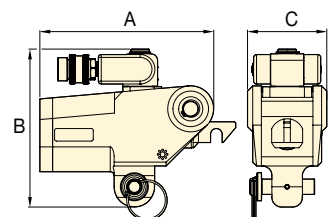
For the metric and inch Square Drive Cassettes see:

Page: 254

▼ SELECTION CHART DRIVE UNITS FOR HEXAGON & SQUARE DRIVE CASSETTES

| Maximum Torque Output at 690 bar | | Minimum Torque Output at 69 bar | | Drive Unit Model Number | Dimensions (inch) | | | | Dimensions (mm) | | | Weight (kg) |
|----------------------------------|--------|---------------------------------|------|-------------------------|-------------------|-----|-----|-------|-----------------|-----|----|-------------|
| (Ft.lbs) | (Nm) | (Ft.lbs) | (Nm) | | A | B | C | (lbs) | A | B | C | |
| 1541 | 2089 | 154 | 209 | HMT1500 | 4.3 | 4.1 | 2.0 | 2.20 | 108 | 104 | 49 | 1,0 |
| 3453 | 4804 | 354 | 480 | HMT3500 | 5.7 | 5.2 | 2.6 | 3.97 | 146 | 132 | 66 | 1,8 |
| 7562 | 10.252 | 756 | 1025 | HMT7500 | 7.1 | 6.4 | 3.2 | 7.05 | 180 | 163 | 82 | 3,2 |
| 13.489 | 18.289 | 1349 | 1829 | HMT13000 * | 8.5 | 7.4 | 3.9 | 4.40 | 216 | 187 | 98 | 9,7 |

* Note: HMT13000 only available for HLP-low profile hexagon cassettes.



▼ HMT drive unit with HSQ square drive cassette



Modular, Durable, Fast and Efficient Torque for Low Profile and Square Drive Applications

Safety and Performance

- Innovative design that completely encloses all moving parts and minimizes pinch points
- Supplied reaction arm as standard
- Fully adjustable 360 degree in-line reaction arm
- Fine tooth ratchet prevents locking-on.

Simplicity

- Simple robust design with just three moving parts for reduced maintenance
- Push button, quick release, reversible square drive.

Versatility

- The reaction arm, positioned around the square drive instead of the back of the drive unit, provides you with the possibility to turn the drive unit away from an obstacle.

Accuracy

- Accuracy of $\pm 3\%$



Ergonomic Tool Handle

Robust ergonomic positioning handle comes standard with every HMT Drive Unit.

| Compatible HMT-Series drive units | Ergonomic Handle (Standard) |
|-----------------------------------|-----------------------------|
| HMT1500, 3500, 7500 | SWH6A |
| HMT13000 | SWH10A |



Back-Up Spanner

To be used to stop the back nut from turning during make up or break out. Two hexagon sizes in one tool.

Page: 217



Torque Wrench Hoses

Use Enerpac THQ-Series hoses with HMT-Series torque wrenches to ensure the integrity of your hydraulic system.

| | |
|--------------------|----------------|
| 2 m long, 2 hoses | THQ702T |
| 6 m long, 2 hoses | THQ706T |
| 12 m long, 2 hoses | THQ712T |

HSQ, Square Drive Hydraulic Torque Wrenches



Bolting Integrity Software

Visit enerpac.com to access our free on-line bolting software application. A comprehensive free online software solution for Bolted Joint Integrity.

Integral databases hold data for:

- BS1560, MSS SP44, API 6A and 17D flanged joints
- Common gasket materials and configurations
- Comprehensive range of bolt materials
- Comprehensive range of lubricants

- Enerpac's Controlled Bolting Equipment including: Torque Multipliers, Hydraulic Wrenches and Bolt Tensioning tools.

Custom Joint information can also be entered

The software offers Tool selection, Bolt Load calculations and Tool pressure settings, as well as a combined Application data sheet and Joint completion report.

Page: 412

HSQ Series



Maximum Torque at 10.000 psi:

1541 - 7562 Ft.lbs

Maximum Torque at 690 bar:

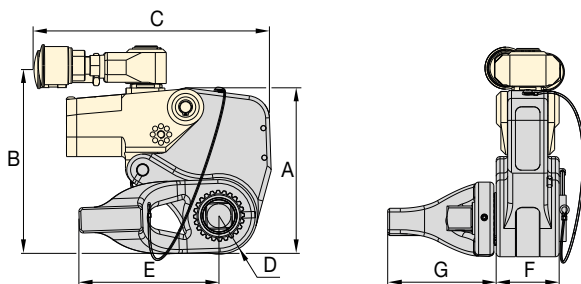
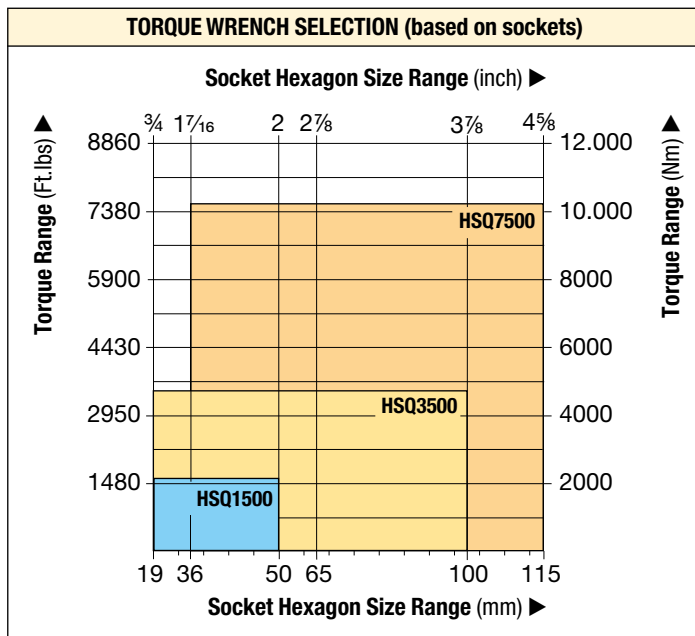
2089 - 10.252 Nm

Square Drive Range:

3/4 - 1 1/2 inch

Maximum Operating Pressure:

690 bar / 10.000 psi



SELECTION CHART

| Maximum Torque Output | | Square Drive Size (inch) | Square Drive Cassette * Model Number | Dimensions (inch) | | | | | | | Weight (lbs) | Dimensions (mm) | | | | | | | Weight (kg) |
|-----------------------|--------|--------------------------|--------------------------------------|-------------------|-------|------|------|------|------|------|--------------|-----------------|-----|-----|----|-----|----|-----|-------------|
| (Ft.lbs) | (Nm) | | | A | B | C | D | E | F | G | | A | B | C | D | E | F | G | |
| 1541 | 2089 | 3/4 | HSQ1500 | 5.71 | 6.61 | 6.85 | 1.19 | 2.36 | 1.95 | 3.29 | 8.16 | 145 | 168 | 174 | 30 | 60 | 50 | 84 | 3,7 |
| 3543 | 4804 | 1 | HSQ3500 | 7.54 | 8.23 | 7.95 | 1.52 | 3.07 | 2.58 | 4.35 | 13.01 | 192 | 209 | 202 | 39 | 78 | 66 | 111 | 5,9 |
| 7562 | 10.252 | 1 1/2 | HSQ7500 | 9.60 | 10.08 | 9.25 | 1.99 | 4.33 | 3.23 | 6.32 | 25.13 | 244 | 256 | 235 | 51 | 110 | 82 | 161 | 11,4 |

* **IMPORTANT:** HMT-drive units must be ordered separately to operate the HSQ-Square Drive Cassettes.



BSH-Series Sockets

Heavy-Duty Impact Sockets for power driven torquing equipment.

Page: 216



Select the Right Torque

Choose your Enerpac Torque Wrench using the untightening rule of thumb: Loosening torque equals about 250% of tightening torque.



Torque Pumps

Visit enerpac.com for system matched air and electric torque wrench pumps that are ideal for use with hydraulic torque wrenches.

Page: 265