



## Electronic Flow Monitor for Air



measuring  
•  
monitoring  
•  
analysing

### KAL-L



- Measuring range 1 - 20 m/s air
- Accuracy:  $\pm 10\%$  of reading
- $p_{\max}$ : 8 bar;  $t_{\max}$ : 120 °C
- Relay-output
- No moving parts
- Negligible pressure loss



SS

KOBOLD companies worldwide:

ARGENTINA, AUSTRIA, BELGIUM, BULGARIA, CANADA, CHILE, CHINA, COLOMBIA, CZECHIA, DOMINICAN REPUBLIC, EGYPT, FRANCE, GERMANY, GREAT BRITAIN, HUNGARY, INDIA, INDONESIA, ITALY, MALAYSIA, MEXICO, NETHERLANDS, PERU, POLAND, ROMANIA, SINGAPORE, SOUTH KOREA, SPAIN, SWITZERLAND, TAIWAN, THAILAND, TUNISIA, TURKEY, USA, VIETNAM

KOBOLD Messring GmbH  
Nordring 22-24  
D-65719 Hofheim/Ts.  
Head Office:  
+49(0)6192 299-0  
+49(0)6192 23398  
info.de@kobold.com  
www.kobold.com

**Method of Operation**

The model KAL-L... electronic flow switch monitors air and gas flow. It is suited for securely monitoring flows with minimum pressure loss

**Function**

The operation of the electronic flow monitor KAL-L... is based on the proven calorimetric principle. A sensor is heated to a few degrees above the temperature of the flow medium. When the medium flows, the heat generated in the sensor is transferred to the medium, i.e. the sensor is cooled. This cooling process is a measure of the flow velocity. A second sensor measures the medium temperature. The electronics compares the resistances of both sensors by means of a *Wheatstone bridge circuit*, and switches an output relay if the actual value drops below the set switching value.

**Technical Data**

- Power supply: 24 V<sub>AC/DC</sub> -15%, +10%
- Power consumption: max. 4 VA
- Ambient temperature: -10°C... +60°C
- Temperature of medium: -25°C... +120°C
- Max. pressure: 8 bar
- Warm up time: max. 30 s
- Switching range: 1 ... 20 m/s (at 20°C, 1 bar)  
(restricted span for other pressure and temperature conditions)
- Switching accuracy: ±10% of reading
- Repeatability: ±1% of reading
- Temperature gradient: 30 K/min (at 8 m/s, 90°C)
- Response time: 1 ... 60 s adjustable
- Flow rate indication: 8 digit LED bargraph

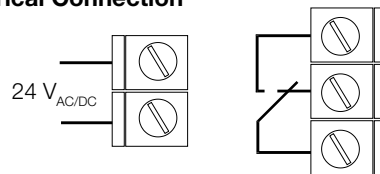
**Technical Data** (continued)

- Switch point adjustment: with potentiometer
- Output indicator: two-colour LED
- Switch output: relay, floating changeover contact
- Switch capacity: max. 250 V<sub>AC</sub>/1000 VA/4 A  
except for KAL-...ST:  
max. 24 V<sub>AC/DC</sub> / 3 A
- Protection: IP 65
- Case material: glass-fibre-reinforced polyamide
- Sensor material: brass, nickel-plated

**Fields of Application**

- Air conditioning systems
- Extraction plants
- Conveying plants

**Electrical Connection**

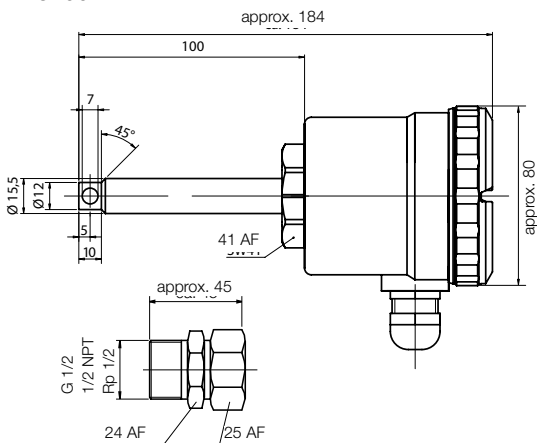


**Order Details** (Example: KAL-L81FL WK ST)

Connection	Order No.	Electr. connection/ cable connector
Smooth shaft D = 15 mm	<b>KAL-L8100 WK</b>	<b>PG</b> = cable connection M16x1,5  <b>ST</b> = connector M12x1  <b>S4</b> = connector DIN 43650  <b>N4</b> = 1/2" NPT for cable connection
Compression fitting G 1/2	<b>KAL-L81G1 WK</b>	
Compression fitting Rp 1/2	<b>KAL-L81R1 WK</b>	
Compression fitting 1/2" NPT	<b>KAL-L81N1 WK</b>	
with clamping flange acc. to DIN 43 743	<b>KAL-L81FL WK</b>	
M18x1.5	<b>KAL-L0118 WK</b>	

**Dimensions [mm]**

**KAL-L8100 WK**



**KAL-L0118 WK**

