

## ECOLINE™ Single Bag Filter Housing



*Lightweight,  
economical single bag  
filter housing for  
commercial applications*

Eaton's ECOLINE single bag filter housing is a light-weight design for commercial, OEM, non-hazardous, low-pressure applications that do not require a code stamp.

This single bag filter housing is a highly cost-effective solution for price-sensitive applications and features a handy V-clamp closure and threaded couplings. Units come standard with filter bag size 01 and 02 stainless steel restrainer baskets.

For smaller flow rates also available in the MINILINE™ version in sizes 03 and 04.

### Features

- Side inlet with evacuation cover prevents spillage of unfiltered liquid, allowing for clean and easy filter bag change-outs
- V-clamp cover closure is easy to operate, allowing cover to be removed or closed quickly
- Compression hold down creates 360 degree sealing between the filter bag and the bag filter housing
- Designed with a 1/4" thread port on the lid for vent or gauge
- Smooth, bead-blasted finish makes it easy to completely clean the interior

### Options

- Available in 316 stainless steel for high corrosion resistance
- Adjustable mounting legs for simplified installation
- Multiple I/O connections to suit application



*Powering Business Worldwide*



Unique, internal body-to-basket O-ring seal prevents bypass and is easy to maintain

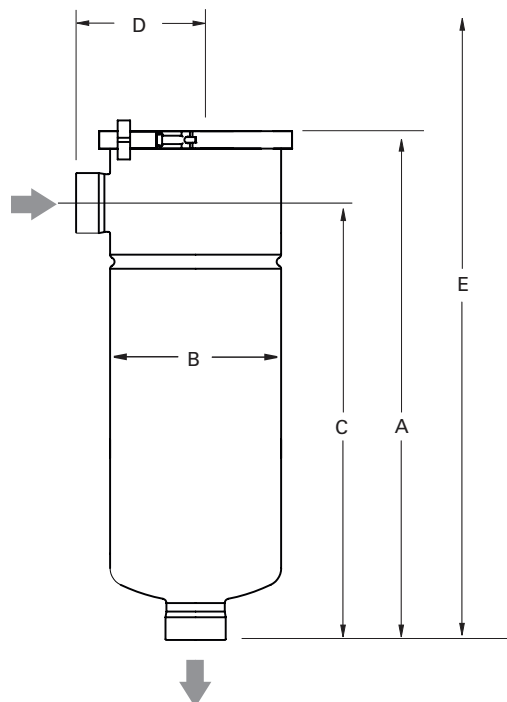
# ECOLINE Single Bag Filter Housing

## Applications

Coarse filtration > 500 µm ✓  
 Medium filtration > 10 µm  
 Fine filtration < 10 µm

Pre-filtration ✓  
 Safety filtration  
 High volume  
 Batch filtration  
 Circuit filtration  
 Continuous filtration

Solvents, paints  
 Fats and oils  
 Catalyst, activated carbon  
 Acids, bases  
 Petrochemicals  
 Water, waste water ✓  
 Chemical industry  
 Pharmaceuticals  
 Metal cleaning  
 Automotive  
 Electronics  
 Food and beverage  
 Paint and lacquer  
 Water treatment ✓  
 Galvanic industry



## Dimensions inch (mm)

Models	A	B	C	D	E
EBF-0101	22.88 (581)	7.68 (195)	19.64 (489)	5.37 (150)	37.00 (940)
EBF-0102	38.50 (977)	7.68 (195)	35.19 (884)	5.37 (150)	68.00 (1727)
EBF-0103	14.56 (370)	4.50 (114)	11.81 (295)	3.50 (110)	24.00 (609)
EBF-0104	20.69 (525)	4.50 (114)	17.87 (454)	3.50 (110)	34.50 (876)

Dimensions for reference only and approximate. Exact dimensions for installation purposes available on request.

## Technical data

Models	No. of filter bags	Size	Flow rate <sup>1</sup> GPM (m <sup>3</sup> /h)	Max. pressure psi (bar)	Max. temp. °F (°C)	Housing volume gal (l)	Housing weight lb (kg)	I/O connections
EBF-0101	1	1	88 (20)	100 (6)	250 (120)	4.1 (15.5)	25 (7.5)	2" thread
EBF-0102	1	2	176 (40)	100 (6)	250 (120)	7.1 (27.0)	38 (11.0)	2" thread
EBF-0103	1	3	26 (6)	150 (9)	250 (120)	0.8 (3.0)	9 (3.5)	1 1/2" thread
EBF-0104	1	4	53 (12)	150 (9)	250 (120)	1.2 (4.5)	11 (4.5)	1 1/2" thread

<sup>1</sup> Maximum theoretical flow based on water viscosity, filter bag specific.

**North America**  
 44 Apple Street  
 Tinton Falls, NJ 07724  
 Toll Free: 800 656-3344  
 (North America only)  
 Tel: +1 732 212-4700

**China**  
 No. 3, Lane 280,  
 Linhong Road  
 Changning District, 200335  
 Shanghai, P.R. China  
 Tel: +86 21 5200-0099

**Europe/Africa/Middle East**  
 Auf der Heide 2  
 53947 Nettersheim, Germany  
 Tel: +49 2486 809-0

**Singapore**  
 100G Pasir Panjang Road #07-08  
 Singapore 118523  
 Tel: +65 6825-1668

Friedensstraße 41  
 68804 Altludersheim, Germany  
 Tel: +49 6205 2094-0  
 An den Nahewiesen 24  
 55450 Langenlonsheim, Germany  
 Tel: +49 6704 204-0

**Brazil**  
 Av. Ermano Marchetti, 1435 -  
 Água Branca, São Paulo - SP,  
 05038-001, Brasil  
 Tel: +55 11 3616-8461

For more information, please  
 email us at [filtration@eaton.com](mailto:filtration@eaton.com)  
 or visit [www.eaton.com/filtration](http://www.eaton.com/filtration)

© 2020 Eaton. All rights reserved. All trademarks and registered trademarks are the property of their respective owners. All information and recommendations appearing in this brochure concerning the use of products described herein are based on tests believed to be reliable. However, it is the user's responsibility to determine the suitability for his own use of such products. Since the actual use by others is beyond our control, no guarantee, expressed or implied, is made by Eaton as to the effects of such use or the results to be obtained. Eaton assumes no liability arising out of the use by others of such products. Nor is the information herein to be construed as absolutely complete, since additional information may be necessary or desirable when particular or exceptional conditions or circumstances exist or because of applicable laws or government regulations.

US  
 EF-FBH-14  
 08-2020