



## Direct Mass Flowmeter and Controller

for gases



measuring  
•  
monitoring  
•  
analysing

### DMW



- Measuring ranges:  
0.005 ... 6000 NI/min air
- Accuracy:  $\pm 3\%$  of full scale
- $p_{\max}$ : 10 bar;  $t_{\max}$ : 50 °C
- Connections: G1/4, G1/2, G1
- Sensor housing:  
aluminium or stainless steel
- Output: 4 - 20 mA, 0 - 5 V<sub>DC</sub>
- Quick response time
- Insensitive to soiling and humidity

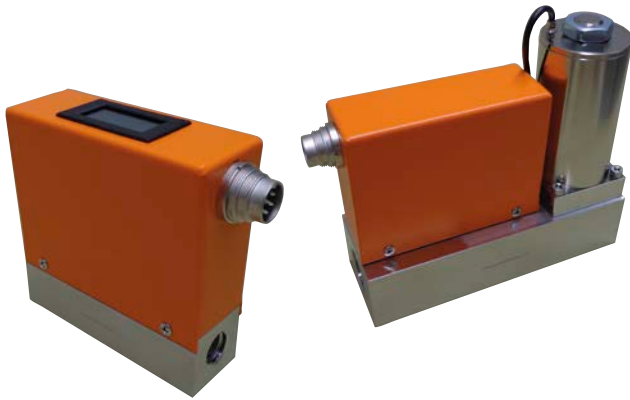


GS

KOBOLD companies worldwide:

AUSTRALIA, AUSTRIA, BELGIUM, BULGARIA, CANADA, CHINA, CZECHIA, EGYPT, FRANCE, GERMANY, GREAT BRITAIN, HUNGARY, INDIA, INDONESIA, ITALY, MALAYSIA, MEXICO, NETHERLANDS, PERU, POLAND, REPUBLIC OF KOREA, ROMANIA, SPAIN, SWITZERLAND, THAILAND, TUNISIA, TURKEY, USA, VIETNAM

KOBOLD Messring GmbH  
Nordring 22-24  
D-65719 Hofheim/Ts.  
Head Office:  
+49(0)6192 299-0  
+49(0)6192 23398  
info.de@kobold.com  
www.kobold.com



### Description

The new model DMW-... direct mass flowmeter has been specially designed for use in gas measuring technology. An inexpensive analogue output is fitted.

The model DMW is available in three versions: with or without integrated 3 1/2-digit LCD display.

The direct stream procedure is ideally suited for measurements from 0,5 NI/min (max.) up to 6000 NI/min air (model: DMW-B\*786). In case of small flow rates the measurements are taken with a bypass-system (DMW-A/C).

In contrast with most volumetric flowmeters the mass flowmeter DMW-... has no moving parts, and no temperature or pressure correction is required.

The meter may be installed in any position and the pressure loss is negligible. The simple mechanical construction ensures the highest degree of reliability when used with aggressive gases, and under tough industrial service conditions.

### Application examples

- Monitoring of gases
- Counted consumption for accounting reason
- Varnishing facility
- Coating facility
- Semiconductor industry
- Laboratories and research
- Gas indication panels
- Mechanical engineering
- N<sub>2</sub>/O<sub>2</sub> generators
- Burner controller

### Technical Details

Measuring system:	direct stream and bypass
Measuring range:	5 ... 100%
Gas type:	all gases and gas mixtures, depending on the compatibility with wetted parts
Accuracy (with calibration for air):	±3% of full scale incl. non-linearity
Repeatability:	±0.5% of full scale (others on request)
Time constant (63.2%):	τ = 0.7 s (bypass) τ = 2 s (direct stream)
Display:	3 1/2-digit LCD (flow rate)
Pressure coefficient:	0.3% of actual value/bar typically (air)
Temperature coefficient:	±0.3% of actual value/°C (air)
Temperature:	0 ... 50°C
Pressure:	10 bar; higher on request
Leakage rate:	<2 x 10 <sup>-7</sup> mbar l/s He
Preheating time:	30 minutes for optimal accuracy; 30 s for accuracy ±4% of full scale
Mounting position:	any, flow rate in arrow direction
Inlet section:	not necessary
kv <sub>s</sub> -values controller:	0.066; (DMW-C) 0.066; 0.3; 1.0; 2.8; 3.4; 4.4 (DMW-D)

### Materials

Sensor:	stainless steel 316L
Casing:	stainless steel 316L or aluminium (anodised)
Filter/rings:	stainless steel 304 /PTFE
Seal:	FPM, EPDM or FFKM
Power supply:	24 V <sub>DC</sub> ±10% 15 V <sub>DC</sub> ±10% on request

### Max. current values

DMW-A/C:	75 mA max.
DMW-B/D:	current input 250 mA max. without flow 75 mA max. 100% flow rate 175 mA max.
With valve control:	+250 mA max.
Signal input (with controller only):	Poti, 0...5 V <sub>DC</sub> or 4...20 mA
Signal output:	0...5 V <sub>DC</sub> or 4...20 mA aktive
Connector:	round pin plug/opposite plug, 6-pole DIN
Protection:	IP 40
Special design (on request):	dry and oil-free for O <sub>2</sub> version digital design on request
Special calibration (on request):	for example: Ar, CO <sub>2</sub> , H <sub>2</sub> , He, N <sub>2</sub>



**Informations for request and order**

To be able to find out the suitable instrument for your application, we ask for the following technical details:

- Gas type, measuring range
- Operating temperature and pressure (for controller, upstream and downstream pressure)
- Required output signal
- Seals

**Based on this information, the following calculations or examinations are carried out:**

- Converting of the desired gas-flow in the air equivalent for the dimensioning of the units.
- Only for controller: Examination, whether the pressure difference over the valve ( $\Delta P$ ) is an acceptable range.
- Only for controller: Examination, whether the calculated KV-value is inside the specification.

**Order Details Mass Flowmeter** (Example: DMW-A71 12 G2 F 3 2)

Measuring system	Measuring tube	Sensor housing		Measuring range [NI/min air]*	Connection
		Aluminium	St. steel		
Bypass flowmeter	small	DMW-A71...	DMW-A21...	..12.. = 5.0...100.0 Nml/min ..22.. = 10.0...200.0 Nml/min ..52.. = 0.025...0.500 ..13.. = 0.050...1.000 ..23.. = 0.100...2.000 ..53.. = 0.25...5.00 ..14.. = 0.50...10.00	..G2.. = G ¼ female
Direct stream flowmeter	4 mm	DMW-B70...	DMW-B20...	..14.. = 0.50...10.00 ..24.. = 1.00...20.00	..G2.. = G ¼ female
Direct stream flowmeter	8 mm	DMW-B71...	DMW-B21...	..24.. = 1.00...20.00 ..54.. = 2.5...50.0 ..15.. = 5.0...100.0	..G2.. = G ¼ female
Direct stream flowmeter	16 mm	DMW-B72...	DMW-B22...	..15.. = 5.0...100.0 ..25.. = 10.0...200.0 ..45.. = 20...400	..G4.. = G ½ female
Direct stream flowmeter	32 mm	DMW-B73...	DMW-B23...	..45.. = 20...400 ..16.. = 50...1000 ..26.. = 100...2000	..G4.. = G ½ female
Direct stream flowmeter	56 mm	DMW-B75...	DMW-B25...	..26.. = 0.10...2.00 Nm³/min ..46.. = 0.20...4.00 Nm³/min ..56.. = 0.25...5.00 Nm³/min	..G6.. = G 1 female
Direct stream flowmeter	84 mm	DMW-B78...	DMW-B28...	..56.. = 0.25...5.00 Nm³/min ..66.. = 0.30...6.00 Nm³/min	..G6.. = G 1 female

\* NI = Norm Litre at 1013 mbar and 0°C

l<sub>s</sub> = Standard Litre at 1013 mbar and 20°C (others on request)

Measuring ranges also available in Nm³/min, Nm³/h, NI/h or others.

**Order Details Mass Flowmeter** (continued)

Seal	Indication/protection	Output
..F.. = FPM	..3.. = without indication, IP40	..2 = 0 - 5 V <sub>DC</sub>
..E.. = EPDM	..D.. = flow rate indication, IP40 (on request)	..4 = 4 - 20 mA
..P.. = FFKM		



**Order Details Mass Flow Controller** (Example: DMW-C71 12 G2 F 3 2)

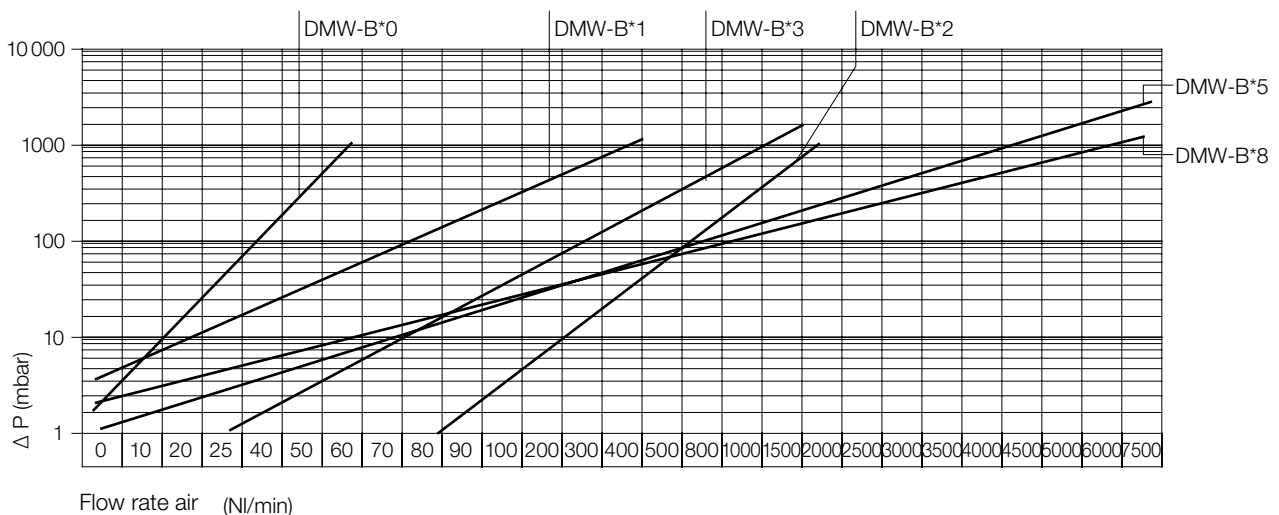
Measuring system	Measuring tube	Sensor housing		Measuring range* [NI/min air]	Connection
		Aluminium	St. steel		
Bypass flowmeter	small	DMW-C71...	DMW-C21...	..12.. = 5.0...100.0 Nml/min ..22.. = 10.0...200.0 Nml/min ..52.. = 0.025...0.500 ..13.. = 0.050...1.000 ..23.. = 0.100...2.000 ..53.. = 0.25...5.00 ..14.. = 0.50...10.00	..G2.. = G ¼ female
Bypass flowmeter	medium	DMW-C72...	DMW-C22...	..14.. = 0.50...10.00 ..24.. = 1.00...20.00 ..54.. = 2.5...50.0	..G4.. = G ½ female
Direct stream flowmeter	4 mm	DMW-D70...	DMW-D20...	..14.. = 0.50...10.00 ..24.. = 1.00...20.00	..G2.. = G ¼ female
Direct stream flowmeter	8 mm	DMW-D71...	DMW-D21...	..24.. = 1.00...20.00 ..54.. = 2.5...50.0 ..15.. = 5.0...100.0	..G2.. = G ¼ female
Direct stream flowmeter	16 mm	DMW-D72...	DMW-D22...	..15.. = 5.0...100.0 ..25.. = 10.0...200.0 ..45.. = 20...400	..G4.. = G ½ female
Direct stream flowmeter	32 mm	DMW-D73...	DMW-D23...	..45.. = 20...400 ..16.. = 50...1000	..G4.. = G ½ female

\*Mass flow controller for higher measuring ranges on request

**Order Details Mass Flow Controller** (continued)

Seal	Indication/protection	Input/output
..F.. = FPM ..E.. = EPDM ..P.. = FFKM	..3.. = without indication, IP40 ..D.. = flow rate indication, IP40 (on request)	..2 = 0 - 5 V <sub>DC</sub> ..4 = 4 - 20 mA ..6 = Poti /0 - 5 V <sub>DC</sub> (up to 100 l/min) ..8 = Poti /4-20mA (up to 100 l/min)

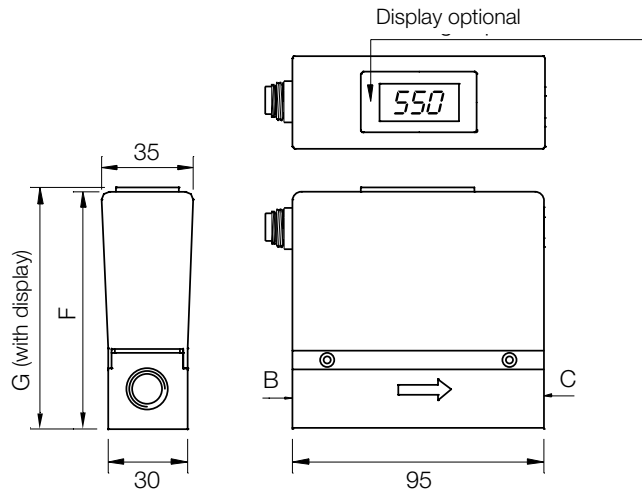
**Pressure Loss Diagram**



**Dimensions [mm]**

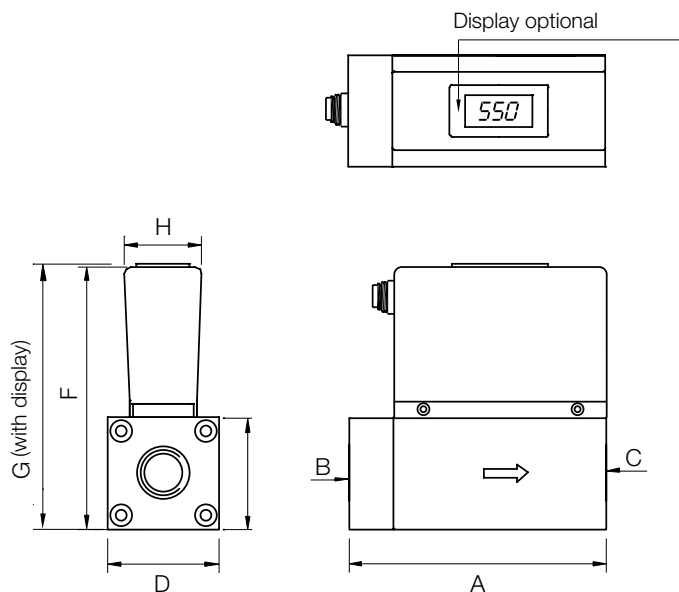
**DMW-A..., DMW-B\*0..., DMW-B\*1..., DMW-B\*2...**

Model	B	C	F	G
DMW-A...	G ¼	G ¼	95	96
DMW-B*0..	G ¼	G ¼	95	96
DMW-B*1...	G ¼	G ¼	95	96
DMW-B*2...	G ½	G ½	99	100



**DMW-B\*3..., DMW-B\*5..., DMW-B\*8...**

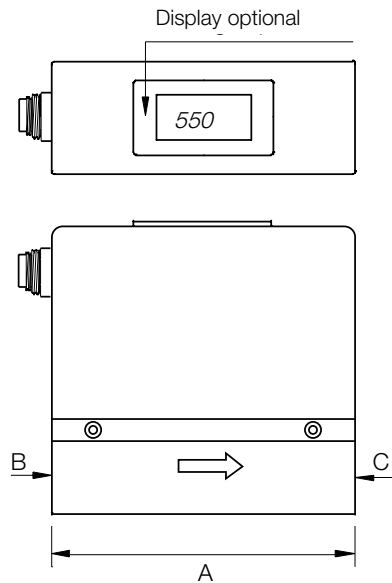
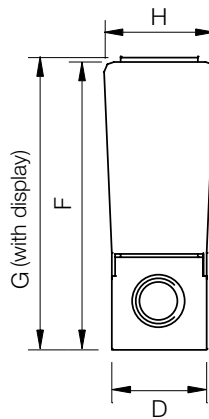
Model	A	B	C	D	E	F	G	H
DMW-B*3...	116	G ½	G ½	50	50	123	124	35
DMW-B*5...	130	G 1	G 1	70	70	143	144	35
DMW-B*8...	160	G 1	G 1	100	100	172	173	35





DMW-C\*1..., DMW-C\*2..., DMW-D\*0..., DMW-D\*1...

Model	A	B	C	D	F	G	H
DMW-C*1...	95	G ¼	G ¼	30	95	96	35
DMW-C*2...	95	G ½	G ¼	30	97	98	35
DMW-D*0...	95	G ¼	G ¼	30	95	96	35
DMW-D*1...	95	G ¼	G ¼	30	95	96	35



DMW-D\*2..., DMW-D\*3...

Model	A	B	C	D	F	G	H
DMW-D*2...	145	G ½	G ½	50	131	45	44
DMW-D*3...	-	G ½	G ½	Dimensions upon request			

