

Terminal Boxes Series 8118



www.stahl.de



08473E00

- > Enclosure made of glass fibre reinforced polyester resin
- > 3 sizes available
- > Terminals and cable glands fitted to order
- > Enclosure design with integrated metal bracket for metal cable glands.
- > Degree of protection IP66

E3



Terminal boxes Series 8118 in impact resistant glass fibre reinforced polyester resin can be equipped with different terminal blocks (e.g. screw terminals, screwless terminals, terminals with insulation displacement connection). Versions with or without miniature fuses are available. The terminals as well as cable glands are mounted according to customer's specification. Beside cable glands in moulded materials, versions in metal are also available. They are tightened into the brass plates and integrated with these plates into the earthing system of the enclosure.

Terminal boxes with blue cable glands and blue terminals with rated cross-section of 4 mm² are available for Ex i circuits.




	ATEX / IECEx					
Zone	0	1	2	20	21	22
For use in		x	x		x	x

WebCode 8118B

Terminal Boxes

Series 8118

Selection Table

Version		Device fuse	Mounting rail	max. number of terminal blocks (rated cross-section 2.5 / 4 mm ²) / already equipped with (..) terminals	PE / PA terminals (rated cross-section 2.5 / 4 mm ²)	Order number	Weight kg
Standard terminal boxes 8118/.12  <small>01588E00</small>	Ex e	without	TS 15	5	2	8118/112-0	0.280
	Ex i	without	TS 15	5	2	8118/212-0	0.280
	Ex e	with	TS 15	5	2	8118/114-099	0.300
Standard terminal boxes 8118/.22  <small>01663E00</small>	Ex e	without	TS 15	11	2	8118/122-0	0.490
			TS 35	13	2	8118/122-1	0.510
	Ex i	without	TS 15	9	2	8118/222-0	0.490
			TS 35	11	2	8118/222-1	0.510
	Ex e	with	TS 15	13	2	8118/124-099	0.520
Standard terminal boxes 8118/.32  <small>01662E00</small>	Ex e	without	TS 15	16	2	8118/132-0	0.700
			TS 35	18	2	8118/132-1	0.730
	Ex i	without	TS 15	14	2	8118/232-0	0.700
			TS 35	18	2	8118/232-1	0.730
	Ex e	with	TS 15	18	2	8118/134-099	0.730

Note: The max. number of terminals refers to the terminals MXK4 for TS 15 and UK3 for TS 35. In addition to the terminal blocks the 8118/..4 version is equipped with Series 8560 device fuses. The fuse takes up the space of 3 terminals.

State with order: Type, number and size of cable entries.

Note: The prices include the enclosure equipped with terminals. Cable entries are inserted according to order and charged separately.

The device fuse must be ordered separately (specify with order)

Note: All terminal boxes can be delivered with a diagonally mounted terminal rail. Cable glands can then be mounted on all sides.

Differences between the images and the actual products are possible

Terminal Boxes

Series 8118



Explosion Protection																																																																																	
Version	8118/1.2 Ex e 8118/2.2 Ex i without miniature fuse	8118/1.4 Ex e with miniature fuse																																																																															
Global (IECEX)																																																																																	
Gas and dust	IECEX PTB 06.0026 Ex e Ex e IIC T6 ... T4 Gb Ex i Ex e ia ib [ja Ga] IIA, IIB, IIC T6 ... T4 Gb Ex tb IIIC T80°C ... T130°C Db	IECEX PTB 06.0026 Ex e mb IIC T* Gb * depending on miniature fuse used Ex tb IIIC T80°C ... T130°C Db																																																																															
Europe (ATEX)																																																																																	
Gas and dust	PTB 99 ATEX 3103 Ex e Ⓢ II 2 G Ex e IIC T6 ... T4 Gb Ex i Ⓢ II 2 G Ex e ia ib [ja Ga] IIA, IIB, IIC T6 ... T4 Gb Ⓢ II 2 D Ex tb IIIC T80°C ... T130°C Db	PTB 99 ATEX 3103 Ⓢ II 2 G Ex e mb IIC T* Gb * depending on miniature fuse used Ⓢ II 2 D Ex tb IIIC T80°C ... T130°C Db																																																																															
Certifications and certificates																																																																																	
Certificates	IECEX, ATEX, Brazil (INMETRO), China (China-Ex), India (PESO), Kazakhstan (TR), Korea (KCs), Russia (TR), Ukraine (TR), Belarus (TR)																																																																																
Ship approval	GL																																																																																
Technical Data																																																																																	
Electrical data																																																																																	
Version	8118/1.2 Ex e 8118/2.2 Ex i without miniature fuse	8118/1.4 Ex e with miniature fuse																																																																															
Rated operational voltage	max. 1100 V AC/DC depending on terminal types and explosion-protected components used	max. 550 V AC/DC depending on terminal types and explosion-protected fuses used																																																																															
Current reduction of the terminals	Depending on the number of terminals in Ex e enclosure Max. number of terminals with conductor cross-section ...																																																																																
	<table border="1"> <thead> <tr> <th rowspan="2">[A]</th> <th colspan="3">8118/112 or 8118/114</th> <th colspan="3">8118/122 or 8118/124</th> <th colspan="3">8118/132 or 8118/134</th> </tr> <tr> <th>1.5 mm²</th> <th>2.5 mm²</th> <th>4 mm²</th> <th>1.5 mm²</th> <th>2.5 mm²</th> <th>4 mm²</th> <th>1.5 mm²</th> <th>2.5 mm²</th> <th>4 mm²</th> </tr> </thead> <tbody> <tr> <td>3</td> <td>8</td> <td>¹⁾</td> <td>¹⁾</td> <td>13</td> <td>¹⁾</td> <td>¹⁾</td> <td>18</td> <td>¹⁾</td> <td>¹⁾</td> </tr> <tr> <td>6</td> <td></td> <td>6</td> <td></td> <td></td> <td>13</td> <td></td> <td></td> <td>18</td> <td></td> </tr> <tr> <td>10</td> <td></td> <td></td> <td>6</td> <td></td> <td></td> <td>11</td> <td>13</td> <td></td> <td>16</td> </tr> <tr> <td>16</td> <td>3</td> <td></td> <td></td> <td>3</td> <td>7</td> <td></td> <td>3</td> <td>9</td> <td></td> </tr> <tr> <td>20</td> <td></td> <td>3</td> <td></td> <td></td> <td>3</td> <td></td> <td></td> <td>3</td> <td>11</td> </tr> <tr> <td>25</td> <td></td> <td></td> <td>4</td> <td></td> <td></td> <td>4</td> <td></td> <td></td> <td>4</td> </tr> </tbody> </table>		[A]	8118/112 or 8118/114			8118/122 or 8118/124			8118/132 or 8118/134			1.5 mm ²	2.5 mm ²	4 mm ²	1.5 mm ²	2.5 mm ²	4 mm ²	1.5 mm ²	2.5 mm ²	4 mm ²	3	8	¹⁾	¹⁾	13	¹⁾	¹⁾	18	¹⁾	¹⁾	6		6			13			18		10			6			11	13		16	16	3			3	7		3	9		20		3			3			3	11	25			4			4			4
[A]	8118/112 or 8118/114			8118/122 or 8118/124			8118/132 or 8118/134																																																																										
	1.5 mm ²	2.5 mm ²	4 mm ²	1.5 mm ²	2.5 mm ²	4 mm ²	1.5 mm ²	2.5 mm ²	4 mm ²																																																																								
3	8	¹⁾	¹⁾	13	¹⁾	¹⁾	18	¹⁾	¹⁾																																																																								
6		6			13			18																																																																									
10			6			11	13		16																																																																								
16	3			3	7		3	9																																																																									
20		3			3			3	11																																																																								
25			4			4			4																																																																								
Note	¹⁾ Any number of terminals (control terminals) up to max. possible number In order to maintain the required temperature class, the max. permissible power loss in the enclosure must not be exceeded. The power loss depends on the current load of the built-in terminals and cables. For temperature class T6, the values in the chart above must be maintained for enclosures 8118. These values apply to rated load factor 1, other rated load and simultaneity factors to IEC 439 can be taken into account. Mixed fitting of terminals with different cross-section and for different currents in one enclosure is permitted.																																																																																
Ambient conditions																																																																																	
Ambient temperature	-50 ... +100 °C (depending on the Ex components used)																																																																																
Mechanical data																																																																																	
Enclosure	glass fibre reinforced polyester resin, dark grey similar to RAL 7012, impact resistance ≥ 7 J, flame retardant acc. to IEC/EN 60695, UL 94, ASTM D635																																																																																
Seal	EPDM or silicone, foamed																																																																																
Cover lock	with captive M4 stainless steel combo head screws																																																																																
Degree of protection	IP66 acc. to IEC/EN 60529																																																																																

E3

Terminal Boxes

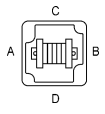
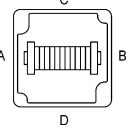
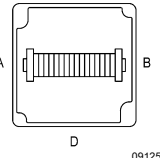

Series 8118

Technical Data

Mounting / Installation

Cable entry

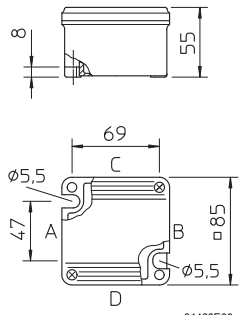
Max. number of cable glands, Series 8161, to be mounted

		Enclosure size/side		
		8118/.1.	8118/.2.	8118/.3.
				
		09101E00	09102E00	09125E00
Type	Size	Side C / D	Side C / D	Side C / D
 Cable gland Series 8161	M16 x 1.5	2	3	5
	M20 x 1.5	1	3	4
	M25 x 1.5	--	2	3
	M32 x 1.5	--	1	2

Note:

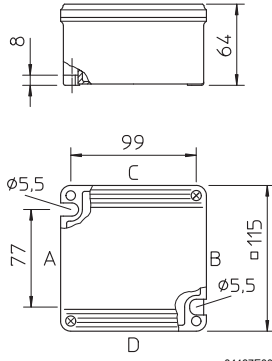
The following glands are used:
 - for Ex e enclosures the cable glands 8161/5 (black),
 - for Ex i enclosures the cable glands 8161/6 (blue).
 The enclosures have through drillings, the cable entries are secured with locknuts.
 Unused openings must be sealed with certified stopping plugs.
 Due to the position of the mounting rail, the cable glands can only be mounted at the sides C and D.

Dimensional Drawings (All Dimensions in mm) - Subject to Alterations



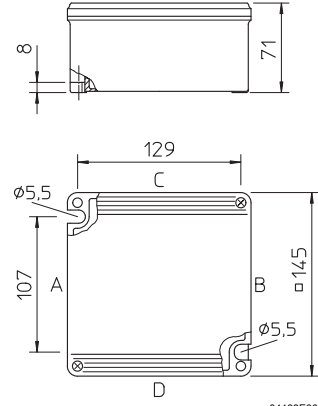
Terminal box Series 8118/.1.

04466E00



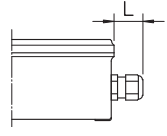
Terminal box Series 8118/.2.

04467E00



Terminal box Series 8118/.3.

04468E00



Nominal size	L [mm]	
	min.	max.
M20	25	31
M25	27	33
M32	32	39

Additional dimension for cable glands Series 8161


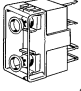
04469E00

Terminal Boxes

Series 8118



Accessories and Spare Parts

Designation	Figure	Description	Order number	Weight kg			
Brass plate with thread	 05735E00	for earth continuity when using metal glands; threads are cut acc. to order					
		for cable glands can be installed into enclosure					
			Size 1	Size 2	Size 3		
		1 x M20 x 1.5	Side C / D	Side C / D	Side C / D	133208	0.030
		1 x M25 x 1.5 1 x M32 x 1.5 2 x M20 x 1.5		Side C / D	Side C / D	133182	0.060
		2 x M25 x 1.5 2 x M32 x 1.5		Side C / D	Side C / D	133198	0.080
			Side C / D	133202	0.140		
Fuse	 05736E00	8560/51, 250 V UC					
		I_N [A]	Packaging units [pieces]				
		0.032	5	8560/51-4021	0.210		
		0.05	5	8560/51-4031	0.210		
		0.063	5	8560/51-4041	0.210		
		0.08	5	8560/51-4051	0.210		
		0.1	5	8560/51-4061	0.210		
		0.125	5	8560/51-4071	0.210		
		0.16	5	8560/51-4081	0.210		
		0.2	5	8560/51-4091	0.210		
		0.25	5	8560/51-4101	0.210		
		0.315	5	8560/51-4111	0.210		
		0.4	5	8560/51-4131	0.210		
		0.5	5	8560/51-4141	0.210		
		0.63	5	8560/51-4151	0.210		
		0.8	5	8560/51-4171	0.210		
		1.0	5	8560/51-4181	0.210		
		1.25	5	8560/51-4191	0.210		
		2.0	5	8560/51-4222	0.210		
		4.0	5	8560/51-4252	0.210		
		8560/61, 500 V UC					
		I_N [A]	Packaging units [pieces]				
		0.08	5	8560/61-4051	0.210		
		0.1	5	8560/61-4061	0.210		
		0.125	5	8560/61-4071	0.210		
		0.2	5	8560/61-4091	0.210		
		0.25	5	8560/61-4101	0.210		
0.315	5	8560/61-4111	0.210				
0.4	5	8560/61-4131	0.210				
0.5	5	8560/61-4141	0.210				

We reserve the right to make alterations to the technical data, dimensions, weights, designs and products available without notice. The illustrations cannot be considered binding.

E3