



Ultrasonic Level Meter for Liquids and Solids



measuring
•
monitoring
•
analysing

NUS-4



- Measuring range:
Liquids: up to 25 m
Solids: up to 10 m
- Accuracy:
±0.2 % of reading
+0.05 % of full scale
- p_{max} : 3 bar abs.
 t_{max} : 90 °C
- Connection:
G 1½, G 2, 1½" NPT, 2" NPT
DIN-flange
DN 80, DN 125, DN 150
ANSI-flange 3", 5", 6"
- Housing material:
Aluminium
Sensor material: PP, PVDF
- Output:
4 ... 20 mA, HART®, Relay or
programming unit with
LCD display



N2

KOBOLD companies worldwide:

ARGENTINA, AUSTRALIA, AUSTRIA, BELGIUM, BULGARIA, CANADA, CHILE, CHINA, COLOMBIA, CZECHIA, EGYPT, FRANCE, GERMANY, GREAT BRITAIN, HUNGARY, INDIA, INDONESIA, ITALY, MALAYSIA, MEXICO, NETHERLANDS, PERU, POLAND, REPUBLIC OF KOREA, ROMANIA, SINGAPORE, SPAIN, SWITZERLAND, TAIWAN, THAILAND, TUNISIA, TURKEY, USA, VIETNAM

KOBOLD Messring GmbH
Nordring 22-24
D-65719 Hofheim/Ts.
Head Office:
+49(0)6192 299-0
+49(0)6192 23398
info.de@kobold.com
www.kobold.com

Description

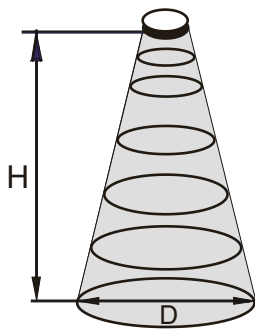
The Kobold ultrasonic level meter, model NUS-4, is used for non-contact, continuous level and volume measurement in vessels or for flow measurement in open channels.

Level measurement technology based on the non-contacting ultrasonic principle is especially suited for applications where, for any reason, no physical contact can be established to the surface of the material to be measured.

Such reasons may include corrosive attack by the process medium against the measuring device material (acids), possible contamination (sewage) or particles of the process medium adhering to the measuring device (adhesive materials). The ultrasonic level metering technology is based on the principle of measuring the time required for the ultrasound pulses to make a round trip from the sensor to the level to be measured and back. The sensor emits an ultrasonic pulse train and receives the echoes reflected. The electronic evaluates the echo time of the pulses and determines the level. The evaluating electronics is mounted compact on the unit.

For remote transmission, a norm signal output and for monitoring purposes, a relay contact is available. For programming and for local display, the units may be delivered with an optional pluggable programming unit with LCD display.

The sensors have a total beam angle of 5°-7° at -3 dB. This ensures a reliable measurement in narrow silos with uneven side walls as well as in process tanks with various protruding objects. Furthermore, as a result of the narrow beam angle - the emitted ultrasonic signals have an outstanding focusing - deep penetration through gases, vapour and foam is ensured.



Conical Beam Diameter D (m)

| H | NUS-4x04 | NUS-4x06 | NUS-4x08 | NUS-4x10 | NUS-4x15 | NUS-4x25 |
|------|----------|----------|----------|----------|----------|----------|
| 1 m | 0.15 m | 0.14 m | 0.18 m | 0.16 m | 0.21 m | 0.27 m |
| 2 m | 0.25 m | 0.23 m | 0.30 m | 0.25 m | 0.30 m | 0.39 m |
| 4 m | 0.46 m | 0.40 m | 0.54 m | 0.42 m | 0.47 m | 0.64 m |
| 6 m | - | 0.58 m | 0.79 m | 0.60 m | 0.65 m | 0.88 m |
| 8 m | - | - | - | 0.77 m | 0.82 m | 1.13 m |
| 10 m | - | - | - | 0.95 m | 1.00 m | 1.37 m |
| 15 m | - | - | - | - | 1.43 m | 1.98 m |
| 25 m | - | - | - | - | - | 3.21 m |

Technical Details

- Measuring principle: ultrasonic principle, echo time measurement
- Frequency: see order table
- Beam cone: NUS-4x04: 6°, NUS-4x06, -4x10, -4x15: 5°, NUS-4x08, NUS-4x25: 7°
- Delay time: 10, 30, 60 seconds; programmable
- Meas. accuracy (at 20°C): ±0.2% of reading, +0.05% of full scale
- Resolution: depending on measuring distance
 <2 m: 1 mm
 2...5 m: 2 mm
 6...10 m: 5 mm
 >10 m: 10 mm
- Mounting position: vertical to the product surface
- Process temperature: -30...+90°C
- Ambient temperature: -30...+70°C, -25...+70°C (with programming unit)
- Operating pressure: 0.5...3 bar abs. (<1 bar abs. on request)

Materials

- Housing: Aluminium, powder-coated
- Sensor and connection: Polypropylene, PVDF
- Process connection:
 - NUS-4x04: G 1½", 1½ NPT
 - NUS-4x06, NUS-4x08: G 2", 2 NPT
 - NUS-4x10: Flange DN 80, ANSI 3"
 - NUS-4x15: Flange DN 125, ANSI 5"
 - NUS-4x25: Flange DN 150, ANSI 6"

* G-thread with counter nut and EPDM-gasket

- Electrical connection: 2x M20x1,5 cable gland, cable diameter 6...12 mm and 2 x ½" NPT, wire cross section: 0.5...1.5 mm²

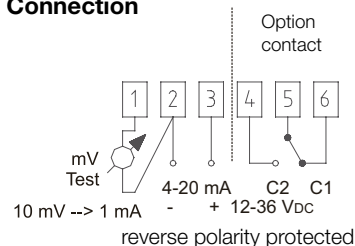
- Switching output: Relay (SPDT) 30 V_{DC}, 1A
- Analogue output: 4...20 mA (3.9...20.5 mA) galvanically isolated, protection against surge transients

- Load: max. (U_s - 11.4 V) / 0.02A,
- Power supply: 12-36 V_{DC}, 2-wire (reverse polarity protected)

- Display (pluggable): 6-digit LCD-Display, symbols and bar graph, PBT, glass fibre reinforced, flame proof (DuPont®)

- Protection: Sensor IP 68, Housing: IP 67
- Weight: with thread: approx. 1.1 kg with flange: approx. 2.5 kg

Electrical Connection





Analogue output

The standard version is delivered with 4 - 20 mA signal output.

Output: 4-20 mA max. 600 Ω, HART® (optional)

The following can be programmed with keys:

- Assignment of the 4 or 20 mA signals to the required levels
- Error indication by the current output (3.8 mA, 22 mA or hold the last value)
- Damping of analogue output (10, 30, 60 sec.)

Factory default:

- 4 mA: assigned to the maximum level 0 %
- 20 mA: assigned to the minimum level 100 %
- Error indication by the current output: hold last value
- Damping: 60 s.

Relay output:

The units may be optionally delivered with a relay output. Following functions may be programmed with help of programming unit:

- 2-point switching for monitoring of level
- Error signal in case of Echo Loss
- Pulse output for volume counting when used as a flow meter

When shipped without programming unit, the NUS-4 is delivered in a 2-point switching state (tank empty – relay energised, tank full – relay de-energised).

Programming unit with LCD-Display:

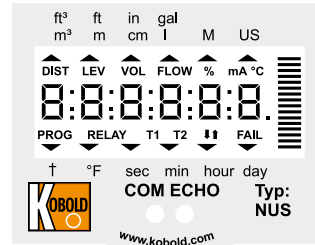
The pluggable programming unit can be used to display the measured values during measurement and to change the program functions during programming.

2 individual accessible programming modes may be chosen:

- a) Quickset, for quick programming of important parameters
- b) Full programming

NUS-4 in systems with PC

Using a PC and HART® modem (e.g. model KM-HART), it is possible to create your own multi-drop HART® network, where the PC displays all NUS-4 measurement data and also allows reprogramming of the units as necessary. In this way the outputs derived from the displayed data can be programmed via the PC, which acts as the master. A maximum of 15 transmitters can be connected to one HART® modem and KOBOLD's NUS-NTB-Soft software can be used for configuration.



Adjustable functions with programming unit

- Engineering units for the display (metric or US)
- Maximum measuring distance
- Value for 4 mA output signal
- Value for 20 mA output signal
- Error type indication of analogue output
- Damping time
- Selection distance measurement, level measurement, volume measurement, weight (when density is known), flow measurement in open channels
- Optimisation of measurement
- Linearisation
- Close-end-blocking
- Far-end-blocking
- Direction of level change
- Selection of pre-programmed 11 vessel forms for volume measurement
- Selection of pre-programmed 21 measuring channels for flow measurement in open channels
- Total flow amount resettable
- Total flow amount non-resettable
- Bar graph assigned to analogue output or echo
- Keyword protection
- Simulation mode

Order details (Example: **NUS-4x04 R8 340**)

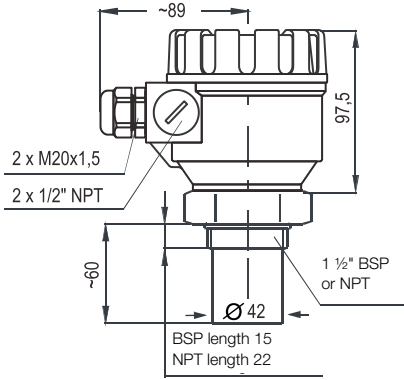
| Model | Sensor Material | Measuring Range | Frequency [kHz] | Connection | Power supply | Output/Display |
|--|-------------------------------|--|-----------------|---|-----------------------------|---|
| NUS-4... | 0 = Polypropylene 9 = PVDF | 04 = 0.2 - 4 m liquids 0.2 - 1.6 m solids | 80 | R8 = 1½ BSP N8 = 1½ NPT | 3 = 12 - 36 V _{DC} | 40 = 4 - 20 mA R0 = 4 - 20 mA and relay 4H = 4-20 mA + HART® RH = 4-20 mA + HART® + Relay 4P = pluggable programming unit with LCD-Display, 4 - 20 mA RP = pluggable programming unit with LCD-Display, 4 - 20 mA, Relay |
| | | 06 = 0.25 - 6 m liquids 0.25 - 2.4 m solids | 80 | R9 = 2 BSP N9 = 2 NPT | | |
| | | 08 = 0.35 - 8 m liquids 0.35 - 3.2 m solids | 60 | | | |
| | | 10 = 0.35 - 10 m liquids 0.35 - 4 m solids | 60 | FB = Flange DN 80 AB = ANSI-flange 3" | | |
| | | 15 = 0.45 - 15 m liquids 0.45 - 6 m solids | 40 | FD = Flange DN 125 AD = ANSI-flange 5" | | |
| 25 = 0.6 - 25 m liquids 0.6 - 10 m solids | 20 | FE = Flansch DN 150 AE = ANSI-flange 6" | | | | |
| NUS-400P | | pluggable programming unit with LCD-Display | | | | |

Order code HART® modem: **KM-HART** (includes configuration software NUS_NTB_Software)

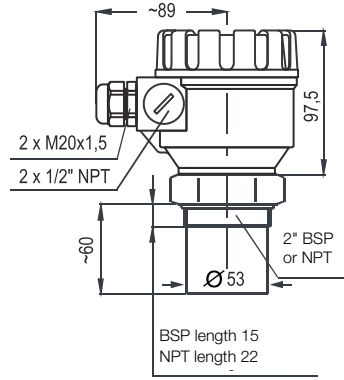


Dimensions [mm]

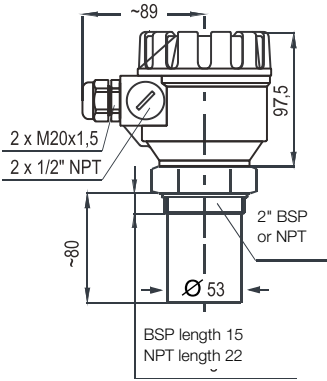
NUS-4x04...



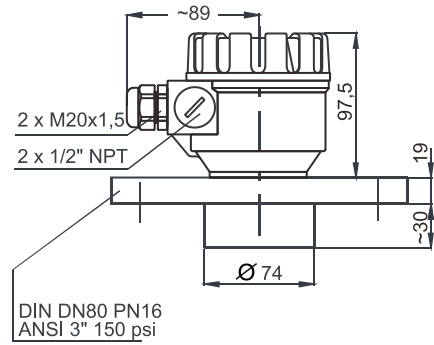
NUS-4x06...



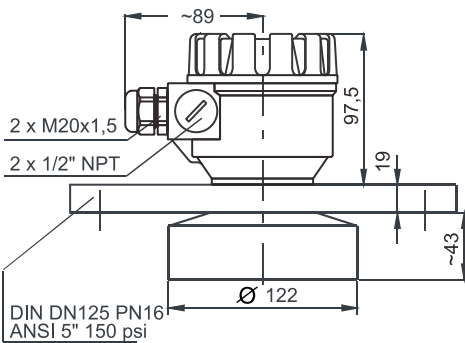
NUS-4x08...



NUS-4x10...



NUS-4x15...



NUS-4x25...

