

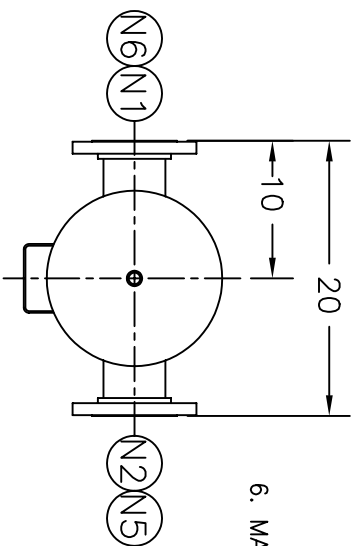
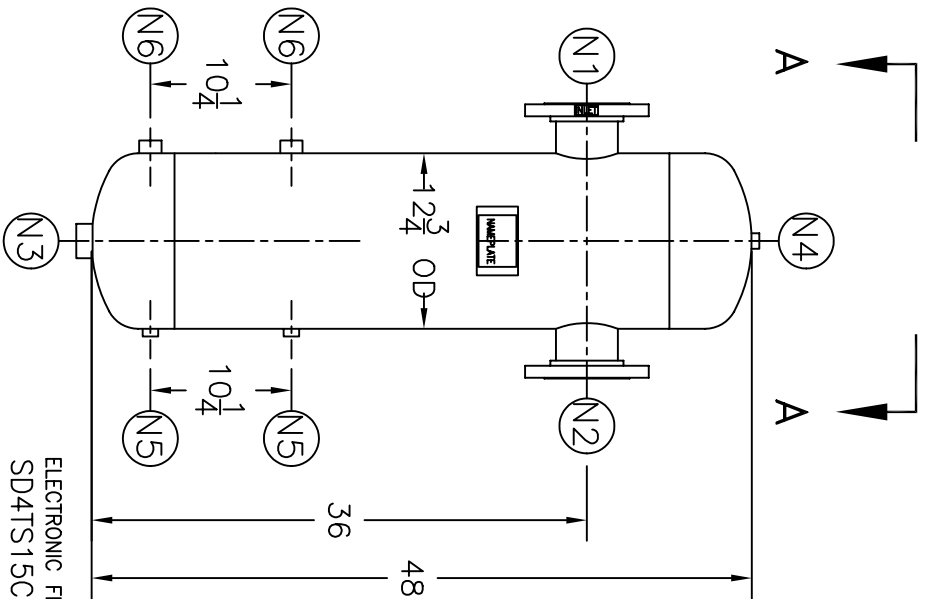
| NOZZLE SCHEDULE |                           |
|-----------------|---------------------------|
| ITEM            | DESCRIPTION               |
| N1              | 4" - 150# RFSO ASME B16.5 |
| N2              | 4" - 150# RFSO ASME B16.5 |
| N3              | 1-1/2" NPT 3000# COUPLING |
| N4              | 1/2" NPT 3000# COUPLING   |
| N5              | 1/2" NPT 3000# COUPLING   |
| N6              | 1" NPT 3000# COUPLING     |

| REV | DATE    | CHANGE    | ECR  | BY | APP |
|-----|---------|-----------|------|----|-----|
| A   | 6/29/06 | NEW ISSUE | E050 | FM | FJM |

NOTES:

- UNITS ARE TO BE DESIGNED, FABRICATED, AND CODE STAMPED (IF REQUIRED) IN ACCORDANCE WITH ASME B & PV CODE, SECTION VIII, DIVISION 1 IN COMPLIANCE TO CURRENT PUBLISHED APPENDA.
- ALL DIMENSIONS ARE IN INCHES.
- ALL BOLT HOLES ARE TO STRADDLE NATURAL CENTERLINES.
- SHIPPING WEIGHT: 175 POUNDS.
- DESIGN DATA:
 

|                          |                   |
|--------------------------|-------------------|
| DESIGN PRESSURE-         | 150 PSIG          |
| DESIGN TEMPERATURE-      | 450° F            |
| MIN. DESIGN METAL TEMP.- | -20° F @ 150 PSIG |
| HYDROTEST PRESSURE-      | 225 PSIG          |
| CORROSION ALLOWANCE-     | 0 INCHES          |
- MATERIAL: CARBON STEEL



VIEW A-A  
TRUE ORIENTATION

ELECTRONIC FILE NAME:  
SD4TS150C.DWG

TOLERANCES UNLESS OTHERWISE SPECIFIED  
PER ENGINEERING STANDARD ES- --

UNAUTHORIZED USE, MANUFACTURE OR  
REPRODUCTION IN WHOLE OR IN PART IS  
PROHIBITED. DRAWING, DESIGN AND  
OTHER DISCLOSURES PROPERTY OF  
EATON FILTRATION, LLC

|       |     |           |      |         |         |     |      |         |     |
|-------|-----|-----------|------|---------|---------|-----|------|---------|-----|
| DRAWN |     | FM        | DATE | 6/29/06 | CHECKED | LH  | DATE | 6/29/06 |     |
| APP   |     | FJM       | DATE | 6/29/06 | SCALE   | NTS | ECR  | E050    |     |
| SIZE  | DWG | SD4TS150C |      |         |         |     |      |         | REV |
| A     | NO  |           |      |         |         |     |      |         | A   |

|           |  |  |
|-----------|--|--|
| CUSTOMER: |  | HAYWARD PART NO.: 4TS150C, 4TS150CU & 4TS150CM |
| REG. NO.: |  |  |
| P.O. NO.: |  |  |
| TAG NO.:  |  |  |

|   |   |
|---|---|
| <b>EATON FILTRATION, LLC</b>                      |   |
| 900 FAIRMOUNT AVENUE, ELIZABETH, NEW JERSEY 07207 |   |
| NAME  | 4" TYPE "TS" GAS/LIQUID SEPARATOR 150# FLG CSTL |