

# Flameproof Manual Call Points

## Series MCP



www.stahl.de



13915E00

- > Light weight glass reinforced polyester (GRP) Ex d enclosure
- > Weather resistant high performance red paint finish as standard
- > Break glass version supplied with test key
- > Push button version supplied with reset key and lift flap
- > Optional extras include stainless steel lift flap, duty and tag labels



### Yodalex range

Conventional manual call points designed for use in Hazardous or harsh environments. The devices provide a manual interface emergency switch for a number of applications. MCP BG is a single action break glass device which is activated by breaking the frangible glass pane on the front side of the call point; this provides the user with a distinct trigger signal. MCP PB is a latching, double action, push button call point. Both devices can be equipped with a number of variants and accessories.

Zone	ATEX / IECEx					
	0	1	2	20	21	22
For use in		x	x		x	x

#### Explosion Protection

##### Global (IECEx)

Gas and dust

IECEx BAS 08.0089X  
 IEC 60079-0: 2011 / IEC 60079-1: 2007-04 / IEC 60079-31: 2008  
 Ex d IIC T6 Ta -55 ... +70°C Gb  
 Ex tb IIIC T85°C Ta -55 ... +70°C Db IP66

##### Europe (ATEX)

Gas and dust

Baseefa 08ATEX0269X  
 EN 60079-0: 2009 / EN 60079-1: 2007 / EN 60079-31: 2009  
 Ⓜ II 2 G Ex d IIC T6 Ta -55 ... +70°C Gb  
 Ⓜ II 2 D Ex tb IIIC T85°C Ta -55 ... +70°C Db IP66

#### Certifications and certificates

Certificates

IECEx, ATEX, Brazil (INMETRO), India (PESO), Kazakhstan (TR), Russia (TR), Belarus (TR), Russia (Fire certificate)

**WebCode MCPA**

# Flameproof Manual Call Points Series MCP



## Versions



14716E00

**Break Glass (BG)**



04035E00

**Push Button (PB)**

## Selection Table

Version	Enclosure colour	Version	Order number	Art. no.	Weight kg
MCP Manual Call Points, ATEX & IECEx certification, standard devices	red normal (R)	Break Glass (BG)	<b>MCP/BG/SP/Ex/A+B+C+D/EU/R</b>	<b>205324</b>	1.000
		Push Button (PB)	<b>MCP/PB/SP/Ex/A+B+C+D/EU/R</b>	<b>205334</b>	1.000
MCP Manual Call Points, EAC TR certification, standard devices	red normal (R)	Break Glass (BG)	<b>MCP/BG/SP/EX/A+B+C+D/RU/R</b>	<b>212402</b>	1.000
		Push Button (PB)	<b>MCP/PB/SP/Ex/A+B+C+D/RU/R</b>	<b>206660</b>	1.000

Note Accessories, variations and different unit colours are available, to order these please use the table below

## Type Code

Variations		MCP / - / - / - / - / - / - / - / - / - / - / - / - / - / -														
<b>Version</b>	break glass	BG														
	push button	PB														
<b>Contacts</b>	1 change over	SP														
	2 change over	DP														
<b>Explosion protection</b>	standard	Ex														
<b>Cable entries</b>	standard 4 x M20 with 3 x Ex d stopping plugs and 1 x dust cap glands to be ordered separately	A+B+C+D														
<b>Certification</b>	ATEX & IECEx	EU														
	EAC TR + Russian Fire certificate (break glass version only)	RU														
<b>Colour</b>	red - RAL 3001	R														
	blue - RAL 5015	B														
	green - RAL 6032	G														
	yellow - RAL 1018	Y														
	black - RAL 9005	BK														
	yellow / black stripe	YB														
	red / black stripe	RB														
<b>Accessories</b>	lift flap (break glass version only)	LF														
	end of line resistor <sup>*)</sup>	EOL														
	inline resistor <sup>*)</sup>	IL														
	end of line and inline resistor <sup>*)</sup>	ILEOL														
	<sup>*)</sup> only available for „1 change over (SP)“															
	LED signal	LED														
<b>Labels (please specify wording)</b>	duty label	D														
	tag label	T														
<b>Additional approvals</b>		L														

E5

We reserve the right to make alterations to the technical data, dimensions, weights, designs and products available without notice. The illustrations cannot be considered binding.

# Flameproof Manual Call Points

## Series MCP



### Technical Data

#### Electrical data

Rated operational voltage	12 ... 50 V DC, 12 ... 250 V AC		
Switching capacity	DC	12 ... 30 V	3 A
		30 ... 50 V	1 A
	AC	12 ... 250 V	5 A
Contact element	standard: 1 change-over contact optional: 2 change-over contacts		
Switch	NO or NC		
System test	Test key provided		

#### Ambient conditions

Operating temperature range	-40 ... +70 °C
-----------------------------	----------------

#### Mechanical data

Material	glass fibre reinforced polyester (GRP)
Enclosure material	two pack, acrylic polyurethane, various colour options
Surface finish	IP66 acc. to IEC 60529
Degree of protection	4 cable entries, supplied with (3x) Ex d stopping plugs and (1x) dust cap
Cable entries	
Position of cable entries	

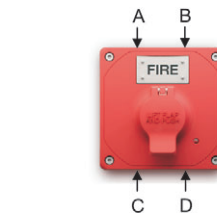


13952E00

**Break glass call point**



**Break glass call point with lift flap**



13951E00

**Push button call point**

#### Connection

Terminals	7 way terminal block., 4 mm <sup>2</sup>
Earth connection	provided as standard

#### Accessories

LED status indication	optional: red LED status indication (up to 24 V DC)
Lift flap	stainless steel (break glass version only)
Duty label	Metallised polyester, customer to specify wording / symbols (see main picture for example)
Tag label	Stainless steel tag with polyester label, customer to specify max 9 characters
Resistors	Customer to specify value

#### Mounting / Installation

Assembly	via holes through the back box see operating instruction for full details
----------	--

### Accessories and Spare Parts



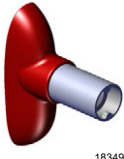
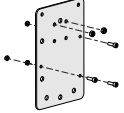
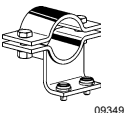

Designation	Figure	Description	Order number	Art. no.	WebCode
Cable gland		Ex d & Ex e Compound barrier cable gland for all types of unarmoured and braided armour cables (nickel plated brass)	<b>CMP-20PXSS2K</b>	<b>109441</b>	PXSS2KA
		RapidEx liquid pour sealing system	<b>CMP-20PXSS2K-REX</b>	<b>246605</b>	PXSS2KB
		Ex d & Ex e Compound barrier cable gland for all types of armoured cables (SWA, braided, tape) (nickel plated brass)	<b>CMP-20PX2K</b>	<b>109428</b>	PX2KA
		RapidEx liquid pour sealing system	<b>CMP-20PX2K-REX</b>	<b>246649</b>	PX2KB
		Ex d & Ex e cable gland for all types of unarmoured and braided armour cables (nickel plated brass)	<b>CMP-20A2F</b>	<b>243464</b>	A2FA
		Ex d & Ex e cable gland for all types of armoured cables (SWA, braided, tape) (nickel plated brass) with unique compensating displacement seal system (CDS)	<b>CMP-20T3CDS</b>	<b>246561</b>	T3CDSA

# Flameproof Manual Call Points

## Series MCP

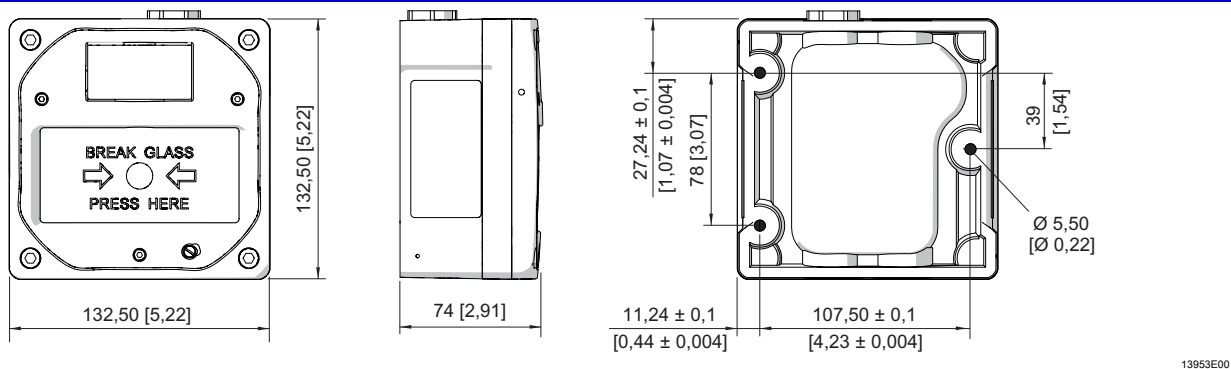


### Accessories and Spare Parts

Designation	Figure	Description	Order number	Art. no.	WebCode
Replacement break glass	 18348E00	Replacement break glass pane; for use after initiation of alarm. Pack of 5 pieces.		208727	
Test key for break glass	 18347E00	Replacement test key; used to trigger alarm without breaking glass panel		209532	
Reset key for push button device	 18349E00	Replacement reset key; used to reset alarm after initiation		209531	
Fastening set adapter plates	 18550E00	Adaptor plate for use in conjunction with pipe clamp		257011	
Pipe clamp	 09349E00	R 1 1/4 "		120812	
		R 1 1/2 "		120819	
		R 2 "		120823	
Sun shield	 18551E00	Sun shield for use in conjunction with adaptor plate		256520	

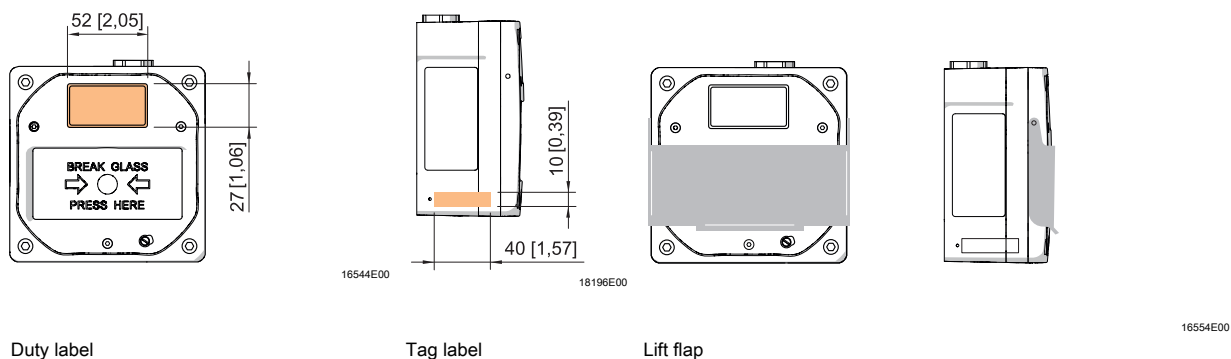
E5

### Dimensional Drawings (All Dimensions in mm [inches]) - Subject to Alterations



### Break glass manual call point

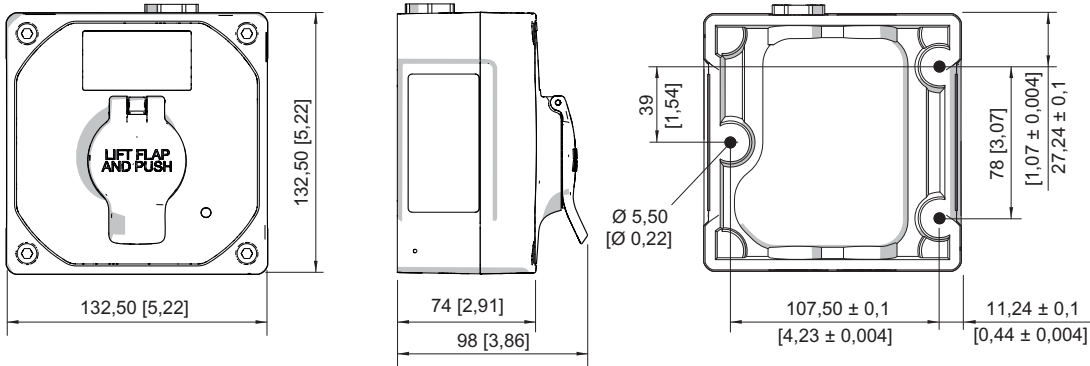
#### Accessories



# Flameproof Manual Call Points Series MCP



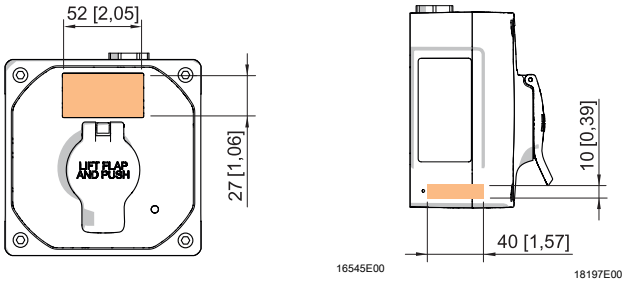
Dimensional Drawings (All Dimensions in mm [inches]) - Subject to Alterations



13954E00

## Push button manual call point

Accessories



Duty label

Tag label

16545E00

18197E00

E5