

# rotork®

Keeping the World Flowing  
for Future Generations

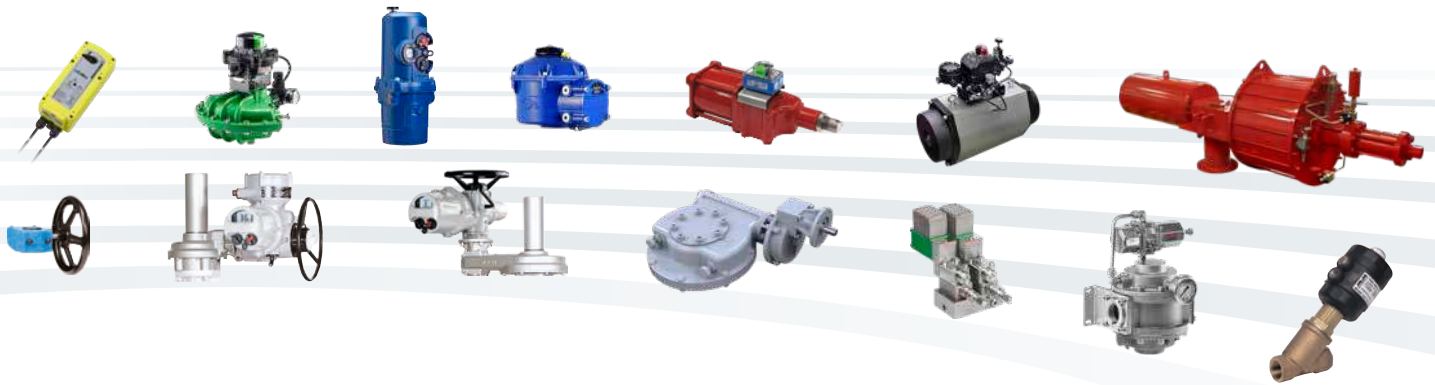
## Solenoid Valves



**alcon**  
SOLENOID VALVES  
A rotork® Brand

**m&m**  
international  
A rotork® Brand

## Reliability in critical flow control applications



### › Reliable operation when it matters

Assured reliability for critical applications and environments. Whether used infrequently or continuously, Rotork products will operate reliably and efficiently.

### › Quality-driven global manufacturing

We offer products that have been designed with over 60 years of industry and application knowledge.

Our research and development ensures cutting edge products are available for multiple applications across multiple industries.

### › Customer focused service and worldwide support

Rotork solve customer challenges and develop new solutions that are tailored to the needs of our clients.

We offer dedicated, expert service and support from initial inquiry, to product installation, to long-term after sales care.

### › Low cost of ownership

Long-term reliability prolongs service life.

Rotork helps to reduce long-term cost of ownership and provides greater efficiency to process and plant.

# Solenoid Valves

Section	Page	Section	Page
Introduction	5	Metals	313
Selection Chart	6	Modes of Operation	314
Solenoid Valve Datasheets	14	Scheme of Components of Solenoid Valves	316
Automatic Drain Valve Systems with Solenoid Valves	294	Din Plug Connectors	317
Strainer for Condensate Drain Valve Systems	295	Copper Winding Temperature Classification	318
Analog Electronic Timer	298	Protection Class, IP Ratings & Hazardous Areas	319
Solenoid Enclosures	300	Conversions	320
Customised Products	309	Corrosion Reference Guide	321
Technical Information	310	Viscosity Reference Guide	323
Sealing Solutions	312	Quality Standards	324



## Comprehensive product range serving multiple industries

Rotork products offer improved efficiency, assured safety and environmental protection across sectors such as the Power, Oil & Gas, Water & Wastewater, HVAC, Marine, Mining, Pulp & Paper, Food & Beverage, Pharmaceutical and Chemical sectors.

## Market leaders and technical innovators

We have been the recognised market leader in flow control for over 60 years.

Our customers rely upon Rotork for innovative solutions to safely manage the flow of liquids, gases and powders.

## Global presence, local service

We are a global company with local support.

Manufacturing sites, service centres and sales offices throughout the world provide unrivalled customer services, fast delivery and ongoing, accessible support.

## Environmental Social and Governance is at the heart of our business

We have a range of policies in place that support our performance across environmental, social and governance topics. The majority of our policies are publicly available.

## Instrumentation and control



Rotork is a specialist manufacturer of products for flow control, pressure control, flow measurement and pressure measurement.

Our solutions are trusted wherever there is a need for high precision and reliability, including pharmaceutical, oil and gas, biomedical and manufacturing industries.

We have production facilities throughout the world, complemented by a large network of distribution and support centres.

A full listing of our worldwide sales and service network is available on our website at [www.rotork.com](http://www.rotork.com).



### Worldwide Industry and Application Experience

With over 60 years of extensive knowledge and experience, Rotork has provided products and services worldwide for virtually every industrial actuator application.

Rotork offer a range of precision control and valve accessory products in partnership with our prestigious brands, including Fairchild, Soldo®, Midland-ACS™, Bifold®, M&M and Alcon:

#### Instrument Valves

- Valve actuation accessories
- Solenoid valves
- Piston valves
- Instrument valves
- Medium pressure valves
- Subsea valves and connectors

#### Controllers

- Valve positioners
- Rail systems
- I/P and E/P converters

#### Measurement

- Valve position sensors
- Transmitters and switches

#### Instrument Pumps

- Pumps
- Intensifiers and accumulators

Rotork is proud to offer a diverse range of products which serve many different duties in a wide variety of applications. We also offer a factory customisation service to create one-off units to meet specific needs.



## Solenoid Valve Selection

This brochure includes Rotork solenoid valves for all markets. Product specifications for USA models may differ due to regulatory requirements and restrictions. See USA-specific pages as listed below:

Series	Function	Body Material	Pipe Size	OPD <sup>1</sup>	Kv (m <sup>3</sup> /hr)	Type <sup>2</sup>
<b>B298</b>	2/2 N/C compact	Stainless Steel	1/8"	0 to 22	0.08 to 0.21	DA
<b>B298 (USA)</b>	2/2 N/C compact	Stainless Steel	1/8"	–	–	DA
<b>D298/299</b>	2/2 N/C	Stainless Steel	1/8" & 1/4"	0 to 24	0.07 to 0.45	DA
<b>D298/299 (USA)</b>	2/2 N/C	Stainless Steel	1/8" & 1/4"	–	–	DA
<b>D262/263</b>	2/2 N/C	Brass	1/8" & 1/4"	0 to 30	0.03 to 0.48	DA
<b>D262/263 (USA)</b>	2/2 N/C	Brass	1/8" & 1/4"	–	–	DA
<b>D248/249</b>	2/2 N/C	Brass	1/8" & 1/4"	0 to 25	0.09 to 0.27	DA
<b>D248/249 (USA)</b>	2/2 N/C	Brass	1/8" & 1/4"	–	–	DA
<b>D237/238/239</b>	2/2 N/C	Brass	1/4" to 1/2"	0 to 17	0.51 to 1.50	DA
<b>D237/238/239 (USA)</b>	2/2 N/C	Brass	1/4" to 1/2"	–	–	DA
<b>D884/885/886</b>	2/2 N/C	Brass	1/4" to 1/2"	0 to 16	1.26 to 1.50	assisted lift
<b>D884/885/886 (USA)</b>	2/2 N/C	Brass	1/4" to 1/2"	–	–	assisted lift
<b>D264/265/266</b>	2/2 N/C	Brass	1/4" to 1/2"	0.1 to 16	1.26 to 1.50	PO
<b>D264/265/266 (USA)</b>	2/2 N/C	Brass	1/4" to 1/2"	–	–	PO
<b>D187 TO 293 &amp; CD187 TO 293 (USA)</b>	2/2 N/C	Brass	1/4" to 1"	–	–	linked diaphragm
<b>B203 TO 222</b>	2/2 N/C	Brass	1/4" to 1"	0.3 to 16	1.56 to 9.60	PO
<b>B203 TO 222 (USA)</b>	2/2 N/C	Brass	1/4" to 1"	–	–	PO
<b>D223/224/225</b>	2/2 N/C	Brass	1 1/4" to 2"	0.5 to 16	22.20 to 32.40	PO
<b>D223/224/225 (USA)</b>	2/2 N/C	Brass	1 1/4" to 2"	–	–	PO
<b>RSV01</b>	2/2 N/C	Brass	1/4" to 1"	0 to 20	1.5 to 7.4	assisted lift
<b>ACD</b>	2/2 N/C	See datasheet for options	3/8" to 2"	0 to 14	3 to 26	assisted lift
<b>UACD (USA)</b>	2/2 N/C	See datasheet for options	3/8" to 2"	–	–	assisted lift
<b>ACP</b>	2/2 N/C	See datasheet for options	1/2" to 2"	0.3 to 10.3	4.2 to 21	PO
<b>UACP (USA)</b>	2/2 N/C	See datasheet for options	1/2" to 2"	–	–	PO
<b>D201</b>	2/2 N/C	Brass	Flanged	0 to 24	0.08 to 0.27	DA
<b>D201 (USA)</b>	2/2 N/C	Brass	Flanged	–	–	DA
<b>B397</b>	3/2 N/C	Brass	1/8"	0 to 18	0.03 to 0.21	DA
<b>B397 (USA)</b>	3/2 N/C	Brass	1/8"	–	–	DA
<b>B398</b>	3/2 N/C	Stainless Steel	1/8"	0 to 15	0.04 to 0.16	DA
<b>B398 (USA)</b>	3/2 N/C	Stainless Steel	1/8"	–	–	DA
<b>D398/399</b>	3/2 N/C	Stainless Steel	1/8" & 1/4"	0 to 18	0.08 to 0.27	DA
<b>D398/399 (USA)</b>	3/2 N/C	Stainless Steel	1/8" & 1/4"	–	–	DA
<b>D362/363</b>	3/2 N/C	Brass	1/8" & 1/4"	0 to 18	0.08 to 0.48	DA
<b>D362/363 (USA)</b>	3/2 N/C	Brass	1/8" & 1/4"	–	–	DA
<b>LC203/204/205</b>	2/2 N/C Latching	Brass	1/4" to 1/2"	0.3 to 5	1.56 to 3.78	PO
<b>LC203/204/205 (USA)</b>	2/2 N/C Latching	Brass	1/4" to 1/2"	–	–	PO
<b>RD298/299</b>	2/2 N/O	Stainless Steel	1/8" & 1/4"	0 to 100	0.04 to 0.27	DA
<b>RD298/299 (USA)</b>	2/2 N/O	Stainless Steel	1/8" & 1/4"	–	–	DA

# Solenoid Valve Selection (cont'd)

	General Purpose	Automation	High Pressure	Compressed Air	Chemical Industry/ Aggressive Fluids	Steam	Vacuum	Combustion	Cryogenice	Actuation	Dry Armature	MOCA	WRAS	Atex	Page
	•				•										14
	•				•										16
	•				•										18
	•				•										20
	•														22
	•														24
	•			•											26
	•			•											28
	•	•													30
	•	•													32
	•														34
	•														36
	•			•											38
	•			•											40
	•														42
	•														44
	•														46
	•														48
	•														50
	•												•		52
	•													•	54
	•													•	56
	•													•	58
	•													•	60
	•	•													62
	•	•													64
	•											•			66
	•														68
	•														70
	•														72
	•														74
	•														76
	•											•			78
	•														80
	•														82
	•														84
	•		•												86
	•		•												88



## Solenoid Valve Selection (cont'd)

Series	Function	Body Material	Pipe Size	OPD <sup>1</sup>	Kv (m <sup>3</sup> /hr)	Type <sup>2</sup>
<b>RD262/263</b>	2/2 N/O	Brass	1/8" & 1/4"	0 to 30	0.03 to 0.27	DA
<b>RD262/263 (USA)</b>	2/2 N/O	Brass	1/8" & 1/4"	–	–	DA
<b>RD236</b>	2/2 N/O	Brass	1/4"	0 to 25	0.03 to 0.51	DA
<b>RD236 (USA)</b>	2/2 N/O	Brass	1/4"	–	–	DA
<b>RB203 TO 222</b>	2/2 N/O	Brass	1/4" to 1"	0.3 to 16	1.56 to 9.60	PO
<b>RB203 TO 222 (USA)</b>	2/2 N/O	Brass	1/4" to 1"	–	–	PO
<b>ACDN</b>	2/2 N/O	See datasheet for options	3/8" to 2"	0 to 10	3 to 26	-
<b>ACDN (USA)</b>	2/2 N/O	See datasheet for options	3/8" to 2"	–	–	-
<b>RD223/224/225</b>	2/2 N/O	Brass	1/4" to 2"	0.5 to 16	22.20 to 32.40	PO
<b>RD223/224/225 (USA)</b>	2/2 N/O	Brass	1/4" to 2"	–	–	PO
<b>RD398/399</b>	3/2 N/O	Stainless Steel	1/8" & 1/4"	0 to 15	0.08 to 0.27	DA
<b>RD398/399 (USA)</b>	3/2 N/O	Stainless Steel	1/8" & 1/4"	–	–	DA
<b>RD362/363</b>	3/2 N/O	Brass	1/8" & 1/4"	0 to 16	0.08 to 0.27	DA
<b>RD362/363 (USA)</b>	3/2 N/O	Brass	1/8" & 1/4"	–	–	DA
<b>B297</b>	2/2 N/C compact	Brass	1/8"	0 to 30	0.03 to 0.18	DA
<b>B297 (USA)</b>	2/2 N/C compact	Brass	1/8"	–	–	DA
<b>D301</b>	3/2 N/C	Brass	Flanged	0 to 18	0.08 to 0.27	DA
<b>D301 (USA)</b>	3/2 N/C	Brass	Flanged	–	–	DA
<b>RB297</b>	2/2 N/O compact	Brass	1/8"	0 to 25	0.03 to 0.18	DA
<b>RB297 (USA)</b>	2/2 N/O compact	Brass	1/8"	–	–	DA
<b>RD301</b>	3/2 N/O	Brass	Flanged	0 to 15	0.08 to 0.27	DA
<b>RD301 (USA)</b>	3/2 N/O	Brass	Flanged	–	–	DA
<b>SB397</b>	2nd Service 3/2 N/O compact	Brass	1/8"	0 to 6	0.04 to 0.06	DA
<b>SB397 (USA)</b>	2nd Service 3/2 N/O compact	Brass	1/8"	–	–	DA
<b>RB397</b>	3/2 N/O compact	Brass	1/8"	0 to 15	0.03 to 0.21	DA
<b>RB397 (USA)</b>	3/2 N/O compact	Brass	1/8"	–	–	DA
<b>GD362/363</b>	Universal 3/2 (N/O)	Brass	1/8" to 1/4"	0 to 8	0 to 0.13	DA
<b>GD362/363 (USA)</b>	Universal 3/2 (N/O)	Brass	1/8" to 1/4"	–	–	DA
<b>SD362/363</b>	2nd Service 3/2 (N/O)	Brass	1/8" to 1/4"	0 to 15	0.08 to 0.20	DA
<b>SD362/363 (USA)</b>	2nd Service 3/2 (N/O)	Brass	1/8" to 1/4"	–	–	DA
<b>DD362/363</b>	Diverting 3/2 (N/O)	Brass	1/8" to 1/4"	0 to 20	0.08 to 0.13	DA
<b>DD362/363 (USA)</b>	Diverting 3/2 (N/O)	Brass	1/8" to 1/4"	–	–	DA
<b>D298/299DR-1</b>	2/2 N/C	Stainless Steel	1/8" & 1/4"	0 to 200	0.04 to 0.27	DA
<b>D298/299DR-1 (USA)</b>	2/2 N/C	Stainless Steel	1/8" & 1/4"	–	–	DA
<b>D262/263DR-1</b>	2/2 N/C	Brass	1/8" & 1/4"	0 to 200	0.04 to 0.27	DA
<b>D262/263DR-1 (USA)</b>	2/2 N/C	Brass	1/8" & 1/4"	–	–	DA
<b>D634/635/636DTT1</b>	2/2 N/C	Brass	1/4" to 1/2"	0.3 to 140	1.26 to 1.50	PO
<b>D634/635/636DTT1 (USA)</b>	2/2 N/C	Brass	1/4" to 1/2"	–	–	PO
<b>D232/233/234</b>	2/2 N/C	Brass	3/8" to 3/4"	1 to 50	2.52 to 2.88	PO
<b>D232/233/234 (USA)</b>	2/2 N/C	Brass	3/8" to 3/4"	–	–	PO
<b>RD232/233/234</b>	2/2 N/O	Brass	3/8" to 3/4"	1 to 50	2.52 to 2.88	PO
<b>RD232/233/234 (USA)</b>	2/2 N/O	Brass	3/8" to 3/4"	–	–	PO



## Solenoid Valve Selection (cont'd)

	General Purpose	Automation	High Pressure	Compressed Air	Chemical Industry/ Aggressive Fluids	Steam	Vacuum	Combustion	Cryogenice	Actuation	Dry Armature	MOCA	WRAS	Atex	Page
	•														90
	•														92
	•														94
	•														96
	•														98
	•														100
	•													•	102
	•													•	104
	•														106
	•														108
	•	•													110
	•	•													112
	•	•										•			114
	•	•													116
	•	•										•			118
	•	•													120
	•	•													122
	•	•													124
	•	•										•			126
	•	•													128
	•	•													130
	•	•													132
	•	•													134
	•	•													136
	•	•										•			138
	•	•													140
	•	•													142
	•	•													144
	•	•													146
	•	•													148
	•	•													150
	•	•													152
			•												154
			•												156
			•												158
			•												160
			•												162
			•												164
			•												166
			•	•											168
			•												170
			•												172

## Solenoid Valve Selection (cont'd)

Series	Function	Body Material	Pipe Size	OPD <sup>1</sup>	Kv (m <sup>3</sup> /hr)	Type <sup>2</sup>	
RD236DR-1	2/2 N/O	Brass	1/4"	0 to 180	0.03 to 0.21	DA	
RD236DR-1 (USA)	2/2 N/O	Brass	1/4"	–	–	DA	
RD201	2/2 N/O	Brass	Flanged	0 to 55	0.08 to 0.27	DA	
RD201 (USA)	2/2 N/O	Brass	Flanged	–	–	DA	
RB214	2/2 N/O	Brass	1/8"	0 to 14	0 to 0.07	DA	
RB214 (USA)	2/2 N/O	Brass	1/8"	–	–	DA	
RD213	2/2 N/O	Brass	1/8"	0 to 16	0 to 0.14	DA	
RD213 (USA)	2/2 N/O	Brass	1/8"	–	–	DA	
D204/205/206/222	2/2 N/C	Stainless Steel	3/8" to 1"	0.3 to 16	3.3. to 9.60	PO	
D204/205/206/222 (USA)	2/2 N/C	Stainless Steel	3/8" to 1"	–	–	PO	
RD204/205/206/222	2/2 N/O	Stainless Steel	3/8" to 1"	0.03 to 16	3.3. to 9.60	PO	
RD204/205/206/222 (USA)	2/2 N/O	Stainless Steel	3/8" to 1"	–	–	PO	
D262/263DL	2/2 N/C	Brass	1/8" to 1/4"	0 to 9	0.03 to 0.27	DA	
D262/263DL (USA)	2/2 N/C	Brass	1/8" to 1/4"	–	–	DA	
D398/399CL	3/2 N/C	Stainless Steel	1/8" to 1/4"	0 to 9	0.08 to 0.27	DA	
D398/399CL (USA)	3/2 N/C	Stainless Steel	1/8" to 1/4"	–	–	DA	
D238/239DL	2/2 N/C	Brass	3/8" to 1/2"	0 to 9	0.27 to 0.30	DA	
D238/239DL (USA)	2/2 N/C	Brass	3/8" to 1/2"	–	–	DA	
D634/635/636	2/2 N/C	Brass	1/4" to 1/2"	0.3 to 9	1.26 to 1.50	PO	
D634/635/636 (USA)	2/2 N/C	Brass	1/4" to 1/2"	–	–	PO	
ACPX	2/2 N/C	See datasheet for options	1/2" to 2"	0.3 to 8.6	4.2 to 21	PO	
UACPX (USA)	2/2 N/C	See datasheet for options	1/2" to 2"	–	–	PO	
RD236DL	2/2 N/O	Brass	1/4"	0 to 9	0.03 to 0.21	DA	
RD236DL (USA)	2/2 N/O	Brass	1/4"	–	–	DA	
D606/622 & RD606/622	2/2 N/O	Brass	3/4" to 1"	1 to 9	to 7.20	DA	
D606/622 (USA)	2/2 N/O	Brass	3/4" to 1"	–	–	DA	
D211	2/2 N/C	Brass	3/8"	0 to 0.2	See flow chart	DA	
D211 (USA)	2/2 N/C	Brass	3/8"	–	–	DA	
D262/263	2/2 N/C	Brass	1/8" to 1/4"	-0.9 to 1	0.03 to 0.48	DA	
D262/263 (USA)	2/2 N/C	Brass	1/8" to 1/4"	–	–	DA	
D362/363	3/2 N/C	Brass	1/8" to 1/4"	0 to -0.95	0.13 to 0.36	DA	
D362/363 (USA)	3/2 N/C	Brass	1/8" to 1/4"	–	–	DA	
D203/204/205	2/2 N/C	Brass	1/4" to 1/2"	-0.2 to -0.95	1.56 to 3.78	PO	
D203/204/205 (USA)	2/2 N/C	Brass	1/4" to 1/2"	–	–	PO	
D237/238/239 & CD237/238/239	2/2 N/C	Brass	1/4" to 1/2"	0 to -0.95	1.27 to 1.50	DA	
D237/238/239 & CD237/238/239 (USA)	2/2 N/C	Brass	1/4" to 1/2"	–	–	DA	
D223/224/225	2/2 N/C	Brass	1 1/4" to 2"	-0.5 to -0.95	22.20 to 32.40	PO	
D223/224/225 (USA)	2/2 N/C	Brass	1 1/4" to 2"	–	–	PO	
GB	2/2 N/C	Aluminium	1/4" to 1"	0 to 140 mBar	3.6 to 13.6	DA	
GB	2/2 N/C	Aluminium	1 1/4" to 2"	0 to 50 mBar	0 to 33	PO c/w assisted lift	
UGB (USA)	2/2 N/C	Aluminium	1/4" to 1"	–	–	DA	
HWA	2/2 N/C	Aluminium	1 1/4" to 6"	0 to 345 mBar	46.5 to 365	EH	

## Solenoid Valve Selection (cont'd)

	General Purpose	Automation	High Pressure	Compressed Air	Chemical Industry/ Aggressive Fluids	Steam	Vacuum	Combustion	Cryogenic	Actuation	Dry Armature	MOCA	WRAS	Atex	Page
			•												174
			•												176
			•												178
			•												180
	•			•								•			182
	•			•											184
	•			•											186
	•			•											188
					•										190
					•										192
					•										194
					•										196
						•									198
						•									200
						•									202
						•									204
						•									206
						•									208
						•									210
						•									212
						•									214
						•									216
						•									218
						•									220
						•									222
						•									224
											•				226
											•				228
							•					•			230
							•								232
							•								234
							•								236
							•								238
							•								240
							•								242
							•								244
							•								246
							•								248
								•							250
								•							252
								•							254
								•							256

## Solenoid Valve Selection (cont'd)

Series	Function	Body Material	Pipe Size	OPD <sup>1</sup>	Kv (m <sup>3</sup> /hr)	Type <sup>2</sup>	
FACHL	2/2 N/C	See datasheet for options	1/2" to 6"	0 to 2	3 to 331	MR	
68 Series	2/2 N/C	See datasheet for options	1/4" to 2"	0 to 8.0	0.43 to 18	PO	
68 Series (USA)	2/2 N/C	See datasheet for options	1/4" to 2"	–	–	PO	
67 Series	3/2 Univ	Stainless Steel	1/4" to 1/2"	0 to 10 bar	0.73	DA	
NAMUR	3/2, 5/2	Aluminium	1/4"	2.5 to 10	0 to 1.2	–	
NAMUR (USA)	3/2, 5/2	Aluminium	1/4"	–	–	-	
21 Series Ex	2/2 N/C	See datasheet for options	1/4"	0 to 40	0.10 to 0.60	DA	
U21 Series Ex (USA)	2/2 N/C	See datasheet for options	1/4"	–	–	DA	
ACD Ex	2/2 N/C	See datasheet for options	3/8" to 2"	0 to 14	3 to 26	assisted lift	
UACD Ex (USA)	2/2 N/C	See datasheet for options	3/8" to 2"	–	–	assisted lift	
ACDN Ex	2/2 N/O	See datasheet for options	3/8" to 2"	0 to 10	3 to 26	assisted lift	
ACDN Ex (USA)	2/2 N/O	See datasheet for options	3/8" to 2"	–	–	assisted lift	
ACP Ex	2/2 N/C	See datasheet for options	1/2" to 2"	0.3 to 10.3	4.2 to 21	PO	
UACP Ex (USA)	2/2 N/C	See datasheet for options	1/2" to 2"	–	–	PO	
31/33 Series Ex	3/2 N/C / Univ	See datasheet for options	1/4"	0 to 10.6	0.10 to 0.30	–	
U31/U33 Series Ex (USA)	3/2 N/C / Univ	See datasheet for options	1/4"	–	–	-	
NAMUR Ex	3/2, 5/2	Aluminium	1/4"	2.5 to 10	0 to 1.2	–	
NAMUR Ex (USA)	3/2, 5/2	Aluminium	1/4"	–	–	-	

<sup>1</sup> Operating pressure differential is in 'bar' unless stated otherwise

<sup>2</sup> DA Direct Acting PO Pilot Operated MR Manual Reset EH Electro-hydraulic

## Solenoid Valve Selection (cont'd)

	General Purpose	Automation	High Pressure	Compressed Air	Chemical Industry/ Aggressive Fluids	Steam	Vacuum	Combustion	Cryogenice	Actuation	Dry Armature	MOCA	WRAS	Atex	Page
								•							258
									•						260
									•						262
	•			•						•					264
										•					266
										•					268
														•	270
														•	272
														•	274
														•	276
														•	278
														•	280
														•	282
														•	284
														•	286
														•	288
														•	290
														•	292

# B298 Series

## General Purpose & Chemical Industry – 2/2 Normally Closed

Specifications	
Function	<p>Flow direction overseat 1 → 2</p>
Maximum Viscosity	Max. 21cST (3 °E)
Body Material (Std)	Stainless Steel 1.4305 EN 10088 (AISI 303)
Orifice Material	Stainless Steel 1.4305 EN 10088 (AISI 303)
Flange Tube <sup>1</sup>	Stainless Steel (AISI 303)
Plunger and Top Stop	Stainless Steel 1.4105 EN 10088 (AISI 430F) or equivalent
Springs	Stainless Steel AISI 302
Seal Material (Std)	Foodgrade FKM
Connection Type (Std)	G parallel thread (ISO 228-1)
Shading Ring	Copper
Electrical Characteristics	
Standard Coil Voltage DC (=)	24 V
Standard Coil Voltage AC 50 Hz (-)	24 V, 110 V, 200 V, 230 V
Standard Coil Voltage AC 60 Hz (-)	24 V, 120 V, 220 V, 240 V
Voltage Tolerance	AC +10% to -15%
	DC +10% to -5%
Duty Cycle	100% ED
Protection Class	IP65 (EN 60529) with plug and gasket correctly fitted *
Electrical Connection	to industrial form B
Coil Insulation	Class F 155 °C
Power Rating (Standard)	AC 10 VA (holding) AC 16 VA (inrush) DC 7W

<sup>1</sup> With special nut, different from Standard.

### Features and Benefits

- Direct Acting
- Robust construction for industrial applications
- Stainless steel AISI 430F operators with low residual magnetism
- Manufactured in compliance to RoHS directive and to relevant international standards
- High quality seal materials
- Response time 5 to 25 ms



Pipe Size	Cv (gpm)	Kv (m³/h)	OPD (bar)		Orifice (mm)	Seal Material	Valve Code
			AC Voltages	DC Voltages			
1/8"	0.09	0.08	0 - 22	0 - 18	1.5	FKM	B298DVC
1/8"	0.13	0.11	0 - 18	0 - 8	2.0	FKM	B298DVE
1/8"	0.19	0.16	0 - 13	0 - 2.5	2.5	FKM	B298DVG
1/8"	0.25	0.21	0 - 8	0 - 1	3.0	FKM	B298DVH
1/8"	0.09	0.08	0 - 24	0 - 24	1.5	KALREZ®	B298DKC
1/8"	0.13	0.11	0 - 18	0 - 15	2.0	KALREZ®	B298DKE
1/8"	0.19	0.16	0 - 15	0 - 3	2.5	KALREZ®	B298DKG

### Options Available

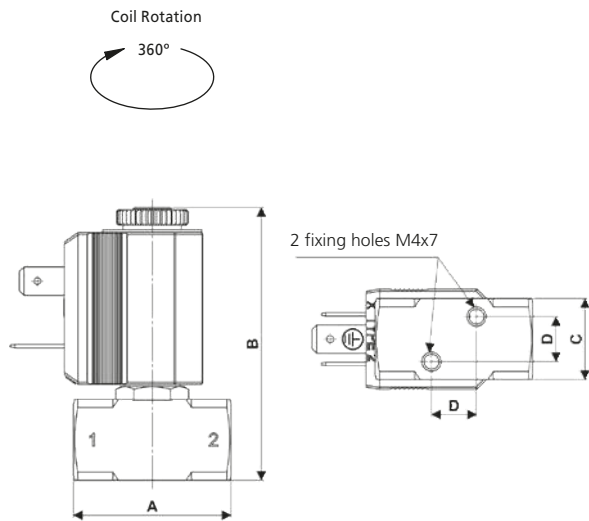
Valve Options (see coding chart)
Anticorrosion treatment recommended with aggressive fluids

Seal Material <sup>1</sup> and Media Temperature Range	Media	Ambient Temperature Range	
		Min	Max
FKM (-10 °C to +130 °C)	Water, oil, air, aggressive fluids	-10 °C	+50 °C
Kalrez® Spectrum™ (-10 °C to +130 °C)	Chemicals	-10 °C	+50 °C

<sup>1</sup> See corrosion reference guide and sealing solutions for material compatibility.

# B298 Series

## General Purpose & Chemical Industry – 2/2 Normally Closed



### Preferred Valve Mounting Options



Pipe Size	A	B	C	D	Weight (kg)
1/8"	35	60.6	18	10	0.1

Dimensions (mm)

### Solenoid enclosures

#### 2--0 Type Coil - Insulation class F

External material: PBT (reinforced fibreglass 30%)  
 Electrical connection: Industrial form B  
 Winding insulation: Class H (E180)  
 Enclosure classification: Conforms to IP65 (according to EN 60529) with plug and gasket correctly fitted\*



#### Type 600 001- Plug

Rated Voltage (max.): 250 VAC / 300 VDC  
 Nominal Current: 10A (rated) / 16A (max)  
 Wire cross-section: 1.5 mm<sup>2</sup> max  
 Cable Entry: PG9 (6 to 8 mm)  
 Enclosure classification: Conforms to IP65 (according to EN 60529) with supplied gasket  
 Insulation class: group C- VDE 0110  
 Housing colour: black  
 UL approved, file No: E205538



\* Plug and gasket not supplied as standard, must be ordered separately.

### Coding chart

#### Main Valve Assembly

#### Coil options

#### Plug

Main Valve Assembly					Coil options				Plug			
Seals		Orifice		Option		Voltage / Frequency - Class F				Plug		
V	FKM	C	1.5	F	Anticorrosion treatment <sup>1</sup>	2250	24 VDC				w/o plug	
K	KALREZ <sup>®</sup>	E	2.0		w/o option	2200	24 V / 50/60 Hz			0B1	c/w plug	
		G	2.5			2400	110 V / 50 Hz - 120 V / 60 Hz					
		H	3.0			2600	200 V / 50 Hz - 220 V / 60 Hz					
						2700	230 V / 50 Hz - 240 V / 60 Hz					
B	2	9	8	D	.	.	.	.	.	.	.	.

<sup>1</sup> Recommended with aggressive fluids.

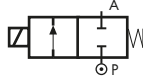




### Product coding example:

B298DKC 2250  
 1/8" G, auto operation, stainless steel body, Kalrez<sup>®</sup> seals, 24 VDC, without plug.



# B298 Series (USA)

## General Purpose & Chemical Industry – 2/2 Normally Closed

Specifications	
Function	 <p>Flow direction overseat 1 → 2</p>
Maximum Viscosity	Max. 21cST (3 °E)
Body Material (Std)	Stainless Steel AISI 303 (1.4305 EN 10088)
Orifice Material	Stainless Steel AISI 303 (1.4305 EN 10088)
Flange Tube <sup>1</sup>	Stainless Steel AISI 303
Plunger and Top Stop	Stainless Steel AISI 430F or equivalent
Springs	Stainless Steel AISI 302
Seal Material (Std)	Foodgrade FKM
Connection Type	NPT
Shading Ring	Copper
Electrical Characteristics	
 Coil Voltage DC (=)	24 V
 Coil Voltage AC 50 Hz (-)	24 V, 110 V, 230 V
 Coil Voltage AC 60 Hz (-)	120 V, 240 V
Voltage Tolerance	AC +10% to -15%
	DC +10% to -5%
Duty Cycle	100% ED
Enclosure Classification	NEMA type 4 (UL 50) and IP65 (EN 60529) with plug and gasket correctly fitted *
Electrical Connection	to industrial form B
Coil Insulation Class	155 (F) to UL429 and to EN 60730-1
Power Rating (  Coils)	AC 9 VA (holding) AC 14 VA (inrush) DC 6W

<sup>1</sup> With special nut, different from Standard.

### Features and Benefits

- Direct Acting
- Robust construction for industrial applications
- Stainless steel AISI 430F operators with low residual magnetism
- High quality seal materials
- Response time 5 to 25 ms



Pipe Size	Cv (gpm)	Kv (m <sup>3</sup> /h)	OPD psi (bar)		Orifice inches (mm)	Seal Material	Valve Code
			AC Voltages	DC Voltages			
1/8	0.09	0.08	0 - 261 (0 - 18)	0 - 94 (0 - 6.5)	1/16 (1.5)	FKM	B298DVCN
1/8	0.13	0.11	0 - 218 (0 - 15)	0 - 51 (0 - 3.5)	3/64 (2.0)	FKM	B298DVEN
1/8	0.19	0.16	0 - 116 (0 - 8)	0 - 14.5 (0 - 1)	3/32 (2.5)	FKM	B298DVGN

### Options Available

Valve Options (see coding chart)
Anticorrosion treatment recommended with aggressive fluids
G parallel thread (ISO 228-1)
CE coils, power DC 7W - AC 10 VA <sup>2</sup>

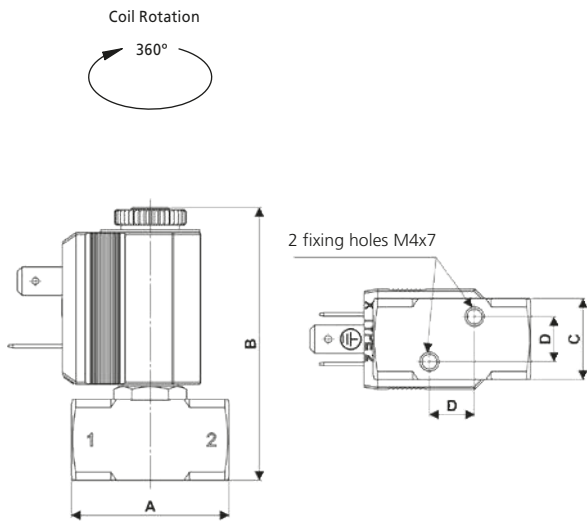
<sup>2</sup> Pressure ratings of valves fitted with CE coils may be higher than with UL coils (coils specifications on [Page 303](#)).

Seal Material <sup>3</sup> and Media Temperature Range	Media	Ambient Temperature Range	
		Min	Max
FKM 14 °F to 266 °F (-10 °C to +130 °C)	Water, oil, air, aggressive fluids	14 °F (-10 °C)	122 °F (+50 °C)

<sup>3</sup> See corrosion reference guide and sealing solutions for material compatibility.

# B298 Series (USA)

General Purpose & Chemical Industry – 2/2 Normally Closed



Preferred Valve Mounting Options



Pipe Size	A	B	C	D	Weight Lb (kg)
1/8	1.38 (35)	2.39 (60.6)	0.71 (18)	0.39 (10)	0.22 (0.1)

Dimensions inches (mm)

## Solenoid enclosures

### 2--R c us Type Coil - Insulation class F

- External material: PET 815ER Rynite®
- Electrical connection: Industrial form B
- Winding insulation: Class H (P180)
- Enclosure classification: Conforms to NEMA type 4 (UL 50) and IP65 (according to EN 60529) with plug and gasket correctly fitted\*
- UL approved, file No: E193928



### Type 600 001- Plug

- Rated Voltage (max.): 250 VAC / 300 VDC
- Nominal Current: 10A (rated) / 16A (max)
- Wire cross-section: 0.0023 inch<sup>2</sup> max (1.5 mm<sup>2</sup> max)
- Cable Entry: PG9 (0.24 to 0.31 inch / 6 to 8 mm)
- Enclosure classification: Conforms to IP65 (according to EN 60529) with supplied gasket
- Insulation class: group C- VDE 0110
- Housing colour: black
- UL approved, file No: E205538




\* Plug and gasket not supplied as standard, must be ordered separately.

## Coding chart

### Main Valve Assembly

### Coil options

### Plug

Main Valve Assembly						Coil options				Plug	
Orifice	Thread Pipe	Option	Voltage / Frequency - c  us Type, Class F		Voltage / Frequency - CE Type, Class F		Plug				
C 1/16	N NPT	F Anticorrosion treatment <sup>1</sup>	225R	24 VDC	2250	24 VDC		w/o plug			
E 3/64	GAS	w/o option	220R	24 V / 50 Hz	2200	24 V / 50/60 Hz	0B1	c/w plug			
G 3/32			240R	110 V / 50 Hz - 120 V / 60 Hz	2400	110 V / 50 Hz - 120 V / 60 Hz					
			270R	230 V / 50 Hz - 240 V / 60 Hz	2600	200 V / 50 Hz - 220 V / 60 Hz					
					2700	230 V / 50 Hz - 240 V / 60 Hz					

B	2	9	8	D	V	.	N	.	.	.	.	.	.	.
---	---	---	---	---	---	---	---	---	---	---	---	---	---	---

<sup>1</sup> Recommended with aggressive fluids.

### Product coding example:

B298DVCN 225R  
1/8 NPT, auto operation, stainless steel body, FKM seals, 1/16 orifice, 24 VDC, without plug.

# D298/299 Series

## General Purpose & Chemical Industry – 2/2 Normally Closed

Specifications	
Function (single acting)	<p>Flow direction overseat 1 → 2</p>
Maximum Viscosity	Max. 21cST (3 °E)
Body Material (Std)	Stainless Steel 1.4305 EN 10088 (AISI 303)
Orifice Material	Stainless Steel 1.4305 EN 10088 (AISI 303)
Tube	Stainless Steel AISI 304
Flange	Stainless Steel 1.4305 EN 10088 (AISI 303)
Plunger	Stainless Steel 1.4106 EN 10088 (AISI 430F)
Top Stop	Stainless Steel 1.4105 EN 10088 (AISI 430F)
Springs	Stainless Steel AISI 302
Seal Material (Std)	Foodgrade FKM
Connection Type (Std)	G parallel thread (ISO 228-1)
Shading Ring	Copper
Electrical Characteristics	
Standard Coil Voltage DC (=)	24 V
Standard Coil Voltage AC 50 Hz (-)	24 V, 110 V, 200 V, 230 V
Standard Coil Voltage AC 60 Hz (-)	24 V, 120 V, 220 V, 240 V
Voltage Tolerance	+10% to -15% (AC)
	+10% to -5% (DC)
Duty Cycle	100% ED
Protection Class	IP65 (EN 60529) with plug and gasket correctly fitted *
Electrical Connection	to EN 175301 - 803 - A (ex DIN 43650)
Coil Insulation	Class F 155 °C
Power Rating (Standard)	AC 18 VA (holding) AC 36 VA (inrush) DC 14 W

### Features and Benefits

- Direct Acting
- Robust construction for industrial applications
- Stainless steel AISI 430F operators with low residual magnetism
- Manufactured in compliance to RoHS directive and to relevant international standards
- Choice of high quality seal materials
- Wide range of available orifices
- Response time 5 to 25 ms



Pipe Size	Cv (gpm)	Kv (m³/h)	OPD (bar)		Orifice (mm)	Seal Material	Valve Code
			AC Voltages	DC Voltages			
¼"	0.08	0.07	0 - 24	0 - 24	1.5	FKM EPDM	D299DVC D299DEC
¼"	0.23	0.20	0 - 18	0 - 18	2.5	FKM EPDM	D299DVG D299DEG
¼"	0.32	0.27	0 - 15	0 - 10	3.0	FKM EPDM	D299DVH D299DEH
¼"	0.42	0.36	0 - 10	0 - 5.5	4.0	FKM EPDM	D299DVL D299DEL
¼"	0.53	0.45	0 - 5	0 - 2.5	5.0	FKM EPDM	D299DVN D299DEN
¼"	0.16	0.14	0 - 20	0 - 20	2.0	KALREZ®	D299DKE
¼"	0.23	0.20	0 - 18	0 - 16	2.5	KALREZ®	D299DKG
¼"	0.32	0.27	0 - 15	0 - 8	3.0	KALREZ®	D299DKH

### Options Available

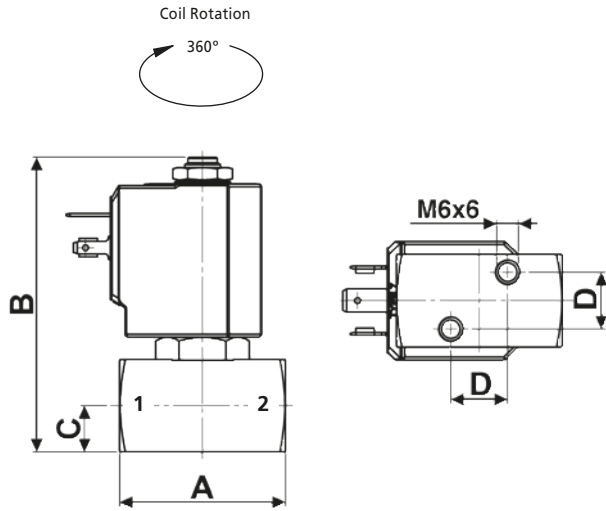
Valve Options (see coding chart)
Body threaded connection G ¼"
NPT threads (minimum batch may be required)
Anticorrosion treatment recommended with aggressive fluids
Silver shading ring

Seal Material <sup>1</sup> and Media Temperature Range	Media	Ambient Temperature Range	
		Min	Max
FKM (-10 °C to +130 °C)	Water, oil, air, aggressive fluids	-10 °C	+50 °C
EPDM (-10 °C to +120 °C)	Water, hot water	-10 °C	+50 °C
Kalrez® Spectrum™ (-10 °C to +130 °C)	Chemicals	-10 °C	+50 °C

<sup>1</sup> See corrosion reference guide and sealing solutions for material compatibility.

# D298/299 Series

## General Purpose & Chemical Industry – 2/2 Normally Closed



Preferred Valve Mounting Options



Pipe Size	A	B	C	D	Weight (kg)
1/8" - 1/4"	45	80	12.5	15.4	0.36

Dimensions (mm)

### Solenoid enclosures

#### 7-0 Type Coil - Insulation class F

External material: PBT (reinforced fibreglass 30%)  
 Electrical connection: DIN EN 175301-803 form A  
 Winding insulation: Class H (E180)  
 Enclosure classification: Conforms to IP65 (according to EN 60529) with plug and gasket correctly fitted\*



\* Plug and gasket not supplied as standard, must be ordered separately.

#### Type 600 011- Plug

Rated Voltage (max.): 250 VAC / 300 VDC  
 Nominal Current: 10A (rated) / 16A (max)  
 Wire cross-section: 1.5 mm<sup>2</sup> max  
 Cable Entry: PG9 (6 to 8 mm)  
 Enclosure classification: Conforms to IP65 (according to EN 60529) with supplied gasket  
 Insulation class: group C- VDE 0110  
 Housing colour: black  
 UL approved, file No: E538



### Coding chart

#### Main Valve Assembly

Pipe Size	
8	1/8"
9	1/4"

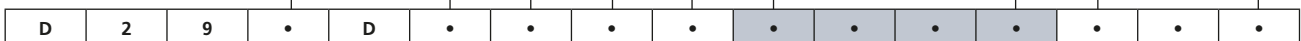
Seals		Orifice	
V	FKM	C	1.5
E	EPDM	E	2.0
K	KALREZ®	G	2.5
		H	3.0
		L	4.0 <sup>1</sup>
		N	5.0 <sup>1</sup>

Option	
A	Silver shading ring
F	Anticorrosion treatment <sup>2</sup>
N	NPT
	w/o option

Voltage / Frequency - Class F	
7250	24 VDC
7200	24 V / 50/60 Hz
7400	110 V / 50 Hz - 120 V / 60 Hz
7600	200 V / 50 Hz - 220 V / 60 Hz
7700	230 V / 50 Hz - 240 V / 60 Hz

#### Plug

Plug	
	w/o plug
0A1	c/w plug



<sup>1</sup> Not available with Kalrez® seals.

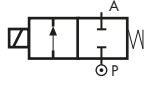




<sup>2</sup> Recommended with aggressive fluids.

### Product coding example:

D298DVC 7250 0A1  
 1/8" G, auto operation, stainless steel body, FKM seals, 1.5 mm orifice, 24 VDC, with plug.

# D298/299 Series (USA)

## General Purpose & Chemical Industry – 2/2 Normally Closed

Specifications	
Function (single acting)	 <p>Flow direction overseat 1 → 2</p>
Maximum Viscosity	Max. 21cST (3 °E)
Body Material (Std)	Stainless Steel AISI 303 (1.4305 EN 10088)
Orifice Material	Stainless Steel AISI 303 (1.4305 EN 10088)
Tube	Stainless Steel AISI 304
Flange	Stainless Steel AISI 303 (1.4305 EN 10088)
Plunger	Stainless Steel AISI 430F (1.4106 EN 10088)
Top Stop	Stainless Steel AISI 430F (1.4105 EN 10088)
Springs	Stainless Steel AISI 302
Seal Material (Std)	Foodgrade FKM
Connection Type	NPT
Shading Ring	Copper
Electrical Characteristics	
 Coil Voltage DC (=)	24 V
 Coil Voltage AC 50 Hz (-)	24 V, 110 V, 230 V
 Coil Voltage AC 60 Hz (-)	120 V, 240 V
Voltage Tolerance	+10% to -15% (AC)
	+10% to -5% (DC)
Duty Cycle	100% ED
Enclosure Classification	NEMA type 4 (UL 50) and IP65 (EN 60529) with plug and gasket correctly fitted *
Electrical Connection	to EN 175301 - 803 - A (ex DIN 43650)
Coil Insulation Class	155 (F) to UL429 and to EN 60730-1
Power Rating (  Coils)	AC 15 VA (holding) AC 30 VA (inrush) DC 10 W

### Features and Benefits

- Direct Acting
- Robust construction for industrial applications
- Stainless steel AISI 430F operators with low residual magnetism
- Choice of high quality seal materials
- Wide range of available orifices
- Response time 5 to 25 ms



Pipe Size	Cv (gpm)	Kv (m³/h)	OPD psi (bar)		Orifice inches (mm)	Seal Material	Valve Code
			AC Voltages	DC Voltages			
¼	0.08	0.07	0 - 348 (0 - 24)	0 - 348 (0 - 24)	1/16 (1.5)	FKM EPDM	D299DVCN D299DECN
¼	0.23	0.20	0 - 247 (0 - 17)	0 - 189 (0 - 13)	3/32 (2.5)	FKM EPDM	D299DVGN D299DEGN
¼	0.32	0.27	0 - 218 (0 - 15)	0 - 145 (0 - 10)	1/8 (3.0)	FKM EPDM	D299DVHN D299DEHN
¼	0.42	0.36	0 - 145 (0 - 10)	0 - 73 (0 - 5)	5/32 (4.0)	FKM EPDM	D299DVLN D299DELN
¼	0.53	0.45	0 - 73 (0 - 5)	0 - 36 (0 - 2.5)	13/64 (5.0)	FKM EPDM	D299DVNN D299DENN
¼	0.16	0.14	0 - 261 (0 - 18)	0 - 218 (0 - 15)	5/64 (2.0)	KALREZ®	D299DKEN
¼	0.23	0.20	0 - 218 (0 - 15)	0 - 174 (0 - 12)	3/32 (2.5)	KALREZ®	D299DKGN
¼	0.32	0.27	0 - 189 (0 - 13)	0 - 102 (0 - 7)	1/8 (3.0)	KALREZ®	D299DKHN

### Options Available

Valve Options (see coding chart)
Body threaded connection 1/8
G parallel thread (ISO 228-1)
Anticorrosion treatment recommended with aggressive fluids
Silver shading ring
CE coils, power DC 7W - AC 10 VA <sup>1</sup>

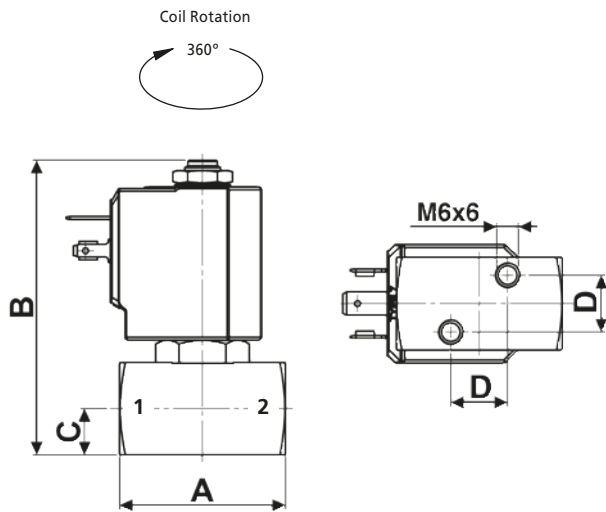
<sup>1</sup> Pressure ratings of valves fitted with CE coils may be higher than with UL coils (coils specifications on Page 303).

Seal Material <sup>1</sup> and Media Temperature Range	Media	Ambient Temperature Range	
		Min	Max
FKM 14 °F to 266 °F (-10 °C to +130 °C)	Water, oil, air, aggressive fluids	14 °F (-10 °C)	122 °F (+50 °C)
EPDM 14 °F to 248 °F (-10 °C to +120 °C)	Water, hot water	14 °F (-10 °C)	122 °F (+50 °C)
Kalrez® Spectrum™ 14 °F to 266 °F (-10 °C to +130 °C)	Chemicals	14 °F (-10 °C)	122 °F (+50 °C)

<sup>1</sup> See corrosion reference guide and sealing solutions for material compatibility.

# D298/299 Series (USA)

General Purpose & Chemical Industry – 2/2 Normally Closed



Preferred Valve Mounting Options



Pipe Size	A	B	C	D	Weight Lb (kg)
1/8 - 1/4	1.77 (45)	3.15 (80)	0.49 (12.5)	0.61 (15.4)	0.79 (0.36)

Dimensions inches (mm)

## Solenoid enclosures

### 7--R cULus Type Coil - Insulation class F

External material: PET 815ER Rynite®  
 Electrical connection: DIN EN 175301-803 form A  
 Winding insulation: Class H (P180)  
 Enclosure classification: Conforms to NEMA type 4 (UL 50) and IP65 (according to EN 60529) with plug and gasket correctly fitted\*  
 UL approved, file No: E193928



\* Plug and gasket not supplied as standard, must be ordered separately.

### Type 600 011- Plug

Rated Voltage (max.): 250 VAC / 300 VDC  
 Nominal Current: 10A (rated) / 16A (max)  
 Wire cross-section: 0.0023 inch<sup>2</sup> max (1.5 mm<sup>2</sup> max)  
 Cable Entry: PG9 (0.24 to 0.31 inch / 6 to 8 mm)  
 Enclosure classification: Conforms to IP65 (according to EN 60529) with supplied gasket  
 Insulation class: group C- VDE 0110  
 Housing colour: black  
 UL approved, file No: E205538



## Coding chart

### Main Valve Assembly

Pipe Size	
8	1/8
9	1/4

Seals		Orifice	
V	FKM	C	1/16
E	EPDM	E	5/64
K	KALREZ®	G	3/32
		H	1/8
		L	5/32 <sup>1</sup>
		N	13/64 <sup>1</sup>

Thread Pipe		Option	
N	NPT	A	Silver shading ring
	GAS	F	Anticorrosion treatment <sup>2</sup>
			w/o option

### Coil options

Voltage / Frequency - cULus Type, Class F	
725R	24 VDC
720R	24 V / 50 Hz
740R	110 V / 50 Hz - 120 V / 60 Hz
770R	230 V / 50 Hz - 240 V / 60 Hz

Voltage / Frequency - CE Type, Class F	
7250	24 VDC
7200	24 V / 50/60 Hz
7400	110 V / 50 Hz - 120 V / 60 Hz
7600	200 V / 50 Hz - 220 V / 60 Hz
7700	230 V / 50 Hz - 240 V / 60 Hz

### Plug

Plug	
	w/o plug
0A1	c/w plug

D	2	9	•	D	•	•	N	•	•	•	•	•	•	•	•	•	•	•
---	---	---	---	---	---	---	---	---	---	---	---	---	---	---	---	---	---	---

<sup>1</sup> Not available with Kalrez® seals.

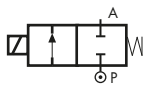
<sup>2</sup> Recommended with aggressive fluids.

## Product coding example:

D298DVCN 725R 0A1  
 1/8 NPT, auto operation, stainless steel body, FKM seals, 1/16 orifice, 24 VDC, with plug.

# D262/263 Series

## General Purpose – 2/2 Normally Closed

Specifications	
Function (single acting)	 <p>Flow direction overseat 1 → 2</p>
Maximum Viscosity	Max. 21cSt (3 °E)
Body Material (Std)	Brass CW617N (EN 12165)
Orifice Material	Stainless Steel 1.4305 EN 10088 (AISI 303)
Flange	Stainless Steel 1.4305 EN 10088 (AISI 303)
Tube	Stainless Steel AISI 304
Plunger	Stainless Steel 1.4106 EN 10088 (AISI 430F)
Top Stop	Stainless Steel 1.4105 EN 10088 (AISI 430F)
Springs	Stainless Steel AISI 302
Seal Material (Std)	Foodgrade FKM
Connection Type (Std)	G parallel thread (ISO 228-1)
Shading Ring	Copper
Electrical Characteristics	
Standard Coil Voltage DC (=)	24 V
Standard Coil Voltage AC 50 Hz (-)	24 V, 110 V, 200 V, 230 V
Standard Coil Voltage AC 60 Hz (-)	24 V, 120 V, 220 V, 240 V
Voltage Tolerance	+10% to -15% (AC)
	+10% to -5% (DC)
Duty Cycle	100% ED
Protection Class	IP65 (EN 60529) with plug and gasket correctly fitted *
Electrical Connection	to EN 175301 - 803 - A (ex DIN 43650)
Coil Insulation	Class F 155 °C
Power Rating (Standard)	AC 18 VA (holding) AC 36 VA (inrush) DC 14 W

### Features and Benefits

- Direct Acting
- Robust construction for industrial applications
- Stainless steel AISI 430F operators with low residual magnetism
- Manufactured in compliance to RoHS directive and to relevant international standards
- Choice of high quality seal materials
- Response time 5 to 25 ms



Pipe Size	Cv (gpm)	Kv (m³/h)	OPD (bar)		Orifice (mm)	Seal Material	Valve Code
			AC Voltages	DC Voltages			
¼"	0.04	0.03	0 - 30	0 - 30	1.0	FKM EPDM	D263DVA D263DEA
¼"	0.09	0.08	0 - 24	0 - 24	1.5	FKM EPDM	D263DVC D263DEC
¼"	0.24	0.20	0 - 18	0 - 16	2.5	FKM EPDM	D263DVG D263DEG
¼"	0.32	0.27	0 - 15	0 - 10	3.0	FKM EPDM	D263DVH D263DEH
¼"	0.42	0.36	0 - 10	0 - 5	4.0	FKM EPDM	D263DVL¹ D263DEL¹
¼"	0.53	0.45	0 - 5	0 - 2.5	5.0	FKM EPDM	D263DVN¹ D263DEN¹
¼"	0.56	0.48	0 - 3	0 - 1	6.0	FKM EPDM	D263DVP¹ D263DEP¹

¹ Manual override not available for orifice > Ø 3mm.

### Options Available

Valve Options (see coding chart)
Body threaded connection G ½"
NPT threads (minimum batch may be required)
Manual override
Electroless nickel plating

Vacuum Version
See Page 230

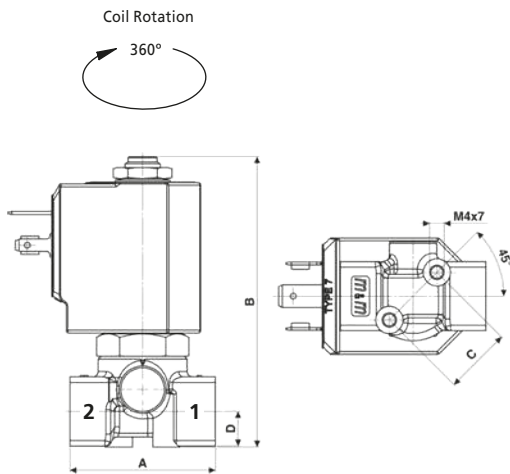
Seal Material¹ and Media Temperature Range	Media	Ambient Temperature Range	
		Min	Max
FKM (-10 °C to +130 °C)	Water, oil, air	-10 °C	+50 °C
EPDM (-10 °C to +120 °C)	Water, hot water	-10 °C	+50 °C

¹ See corrosion reference guide and sealing solutions for material compatibility.



# D262/263 Series

## General Purpose – 2/2 Normally Closed



### Preferred Valve Mounting Options



Pipe Size	A	B	C	D	Weight (kg)
1/8" - 1/4"	40	77.5	18.5	9.5	0.26

Dimensions (mm)

### Solenoid enclosures

#### 7--0 Type Coil - Insulation class F

External material: PBT (reinforced fibreglass 30%)  
 Electrical connection: DIN EN 175301-803 form A  
 Winding insulation: Class H (E180)  
 Enclosure classification: Conforms to IP65 (according to EN 60529) with plug and gasket correctly fitted\*



#### Type 600 011- Plug

Rated Voltage (max.): 250 VAC / 300 VDC  
 Nominal Current: 10A (rated) / 16A (max)  
 Wire cross-section: 1.5 mm<sup>2</sup> max  
 Cable Entry: PG9 (6 to 8 mm)  
 Enclosure classification: Conforms to IP65 (according to EN 60529) with supplied gasket  
 Insulation class: group C- VDE 0110  
 Housing colour: black  
 UL approved, file No: E538



\* Plug and gasket not supplied as standard, must be ordered separately.

### Coding chart

#### Main Valve Assembly

Pipe Size	
2	1/8"
3	1/4"

Seals		Orifice	
V	FKM	A	1.0
E	EPDM	C	1.5
		G	2.5
		H	3.0
		L	4.0
		N	5.0
		P	6.0

Option	
N	NPT
M	Manual Override <sup>1</sup>
K	Electroless nickel plating
	w/o option

Voltage / Frequency - Class F	
7250	24 VDC
7200	24 V / 50/60 Hz
7400	110 V / 50 Hz - 120 V / 60 Hz
7600	200 V / 50 Hz - 220 V / 60 Hz
7700	230 V / 50 Hz - 240 V / 60 Hz

Plug	
	w/o plug
0A1	c/w plug

D	2	6	.	D	.	.	.	.	.	.	.	.	.	.	.	.
---	---	---	---	---	---	---	---	---	---	---	---	---	---	---	---	---

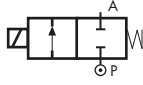




<sup>1</sup> Manual override not available for orifice > 3.0mm.

### Product coding example:

D263DVA 7250  
 1/4" G, auto operation, brass body, FKM seals, 1.0 mm orifice, 24 VDC, without plug.

# D262/263 Series (USA)

## General Purpose – 2/2 Normally Closed

Specifications	
Function (single acting)	 <p>Flow direction overseat 1 → 2</p>
Maximum Viscosity	Max. 21cST (3 °E)
Body Material (Std)	Brass C37700 (UNS Designation)
Orifice Material	Stainless Steel AISI 303 (1.4305 EN 10088)
Flange	Stainless Steel AISI 303 (1.4305 EN 10088)
Tube	Stainless Steel AISI 304
Plunger	Stainless Steel AISI 430F (1.4106 EN 10088)
Top Stop	Stainless Steel AISI 430F (1.4105 EN 10088)
Springs	Stainless Steel AISI 302
Seal Material (Std)	Foodgrade FKM
Connection Type	NPT
Shading Ring	Copper
Electrical Characteristics	
 Coil Voltage DC (=)	24 V
 Coil Voltage AC 50 Hz (-)	24 V, 110 V, 230 V
 Coil Voltage AC 60 Hz (-)	120 V, 240 V
Voltage Tolerance	+10% to -15% (AC)
	+10% to -5% (DC)
Duty Cycle	100% ED
Enclosure Classification	NEMA type 4 (UL 50) and IP65 (EN 60529) with plug and gasket correctly fitted *
Electrical Connection	to EN 175301 - 803 - A (ex DIN 43650)
Coil Insulation Class	155 (F) to UL429 and to EN 60730-1
Power Rating  Coils	AC 15 VA (holding) AC 30 VA (inrush) DC 10 W

### Features and Benefits

- Direct Acting
- Robust construction for industrial applications
- Stainless steel AISI 430F operators with low residual magnetism
- Choice of high quality seal materials
- Response time 5 to 25 ms



Pipe Size	Cv (gpm)	Kv (m³/h)	OPD psi (bar)		Orifice inches (mm)	Seal Material	Valve Code
			AC Voltages	DC Voltages			
¼	0.04	0.03	0 - 435 (0 - 30)	0 - 435 (0 - 30)	⅜ (1.0)	FKM EPDM	D263DVAN D263DEAN
¼	0.09	0.08	0 - 348 (0 - 24)	0 - 348 (0 - 24)	⅛ (1.5)	FKM EPDM	D263DVCN D263DECN
¼	0.24	0.20	0 - 245 (0 - 17)	0 - 190 (0 - 13)	⅜ (2.5)	FKM EPDM	D263DVGN D263DEGN
¼	0.32	0.27	0 - 189 (0 - 13)	0 - 102 (0 - 7)	⅛ (3.0)	FKM EPDM	D263DVHN D263DEHN
¼	0.42	0.36	0 - 145 (0 - 10)	0 - 73 (0 - 5)	⅝ (4.0)	FKM EPDM	D263DVLN <sup>2</sup> D263DELN <sup>2</sup>
¼	0.53	0.45	0 - 73 (0 - 5)	0 - 36 (0 - 2.5)	1⅜ (5.0)	FKM EPDM	D263DVNN <sup>2</sup> D263DENN <sup>2</sup>

<sup>2</sup> Manual override not available for orifice > Ø ⅛ (3 mm).

### Options Available

Valve Options (see coding chart)
Body threaded connection ⅛
G parallel thread (ISO 228-1)
Manual override
Electroless nickel plating
CE coils, power DC 14W - AC 18 VA <sup>1</sup>

<sup>1</sup> Pressure ratings of valves fitted with CE coils may be higher than with UL coils (coils specifications on Page 303).

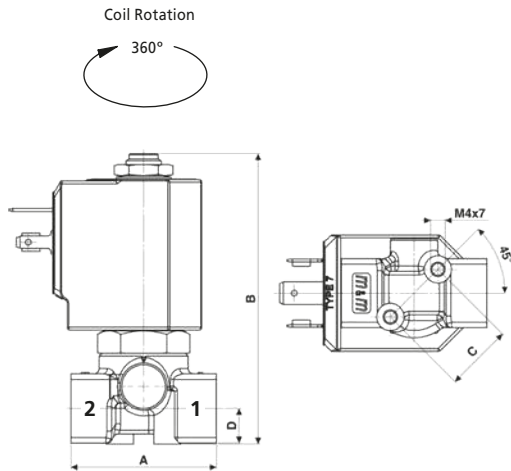
Vacuum Version
See separate datasheet

Seal Material <sup>3</sup> and Media Temperature Range	Media	Ambient Temperature Range	
		Min	Max
FKM 14 °F to 266 °F (-10 °C to +130 °C)	Water, oil, air	14 °F (-10 °C)	122 °F (+50 °C)
EPDM 14 °F to 248 °F (-10 °C to +120 °C)	Water, hot water	14 °F (-10 °C)	122 °F (+50 °C)

<sup>3</sup> See corrosion reference guide and sealing solutions for material compatibility.

# D262/263 Series (USA)

## General Purpose – 2/2 Normally Closed



Preferred Valve Mounting Options



Pipe Size	A	B	C	D	Weight Lb (kg)
1/8 - 1/4	1.57 (40)	3.05 (77.5)	0.73 (18.5)	0.37 (9.5)	0.57 (0.26)

Dimensions inches (mm)

### Solenoid enclosures

#### 7--R cULus Type Coil - Insulation class F

External material: PET 815ER Rynite®  
 Electrical connection: DIN EN 175301-803 form A  
 Winding insulation: Class H (P180)  
 Enclosure classification: Conforms to NEMA type 4 (UL 50) and IP65 (according to EN 60529) with plug and gasket correctly fitted\*  
 UL approved, file No: E193928



#### Type 600 011- Plug

Rated Voltage (max.): 250 VAC / 300 VDC  
 Nominal Current: 10A (rated) / 16A (max)  
 Wire cross-section: 0.0023 inch<sup>2</sup> max (1.5 mm<sup>2</sup> max)  
 Cable Entry: PG9 (0.24 to 0.31 inch / 6 to 8 mm)  
 Enclosure classification: Conforms to IP65 (according to EN 60529) with supplied gasket  
 Insulation class: group C- VDE 0110  
 Housing colour: black  
 UL approved, file No: E205538



\* Plug and gasket not supplied as standard, must be ordered separately.

### Coding chart

#### Main Valve Assembly

Pipe Size	
2	1/8
3	1/4

Seals		Orifice	
V	FKM	A	3/64
E	EPDM	C	1/16
		G	3/32
		H	1/8
		L	5/32
		N	13/64
		P	15/64

Thread Pipe		Option	
N	NPT	M	Manual Override <sup>1</sup>
	GAS	K	Electroless nickel plating
			w/o option

#### Coil options

Voltage / Frequency - cULus Type, Class F	
725R	24 VDC
720R	24 V / 50 Hz
740R	110 V / 50 Hz - 120 V / 60 Hz
770R	230 V / 50 Hz - 240 V / 60 Hz

Voltage / Frequency - CE Type, Class F	
7250	24 VDC
7200	24 V / 50/60 Hz
7400	110 V / 50 Hz - 120 V / 60 Hz
7600	200 V / 50 Hz - 220 V / 60 Hz
7700	230 V / 50 Hz - 240 V / 60Hz

#### Plug

Plug	
	w/o plug
0A1	c/w plug

D	2	6	•	D	•	•	N	•	•	•	•	•	•	•	•	•	•	•
---	---	---	---	---	---	---	---	---	---	---	---	---	---	---	---	---	---	---

<sup>1</sup> Manual override not available for orifice > 1/8" (3.0 mm).

### Product coding example:

D263DVAN 725R  
 1/4 NPT, auto operation, brass body, FKM seals, 3/64 orifice, 24 VDC, without plug.

# D248/249 Series

## Compressed Air – 2/2 Normally Closed

Specifications	
Function (single acting)	<p>Flow direction 1 → 2</p>
Maximum Viscosity	Max. 21cST (3 °E)
Body Material (Std)	Brass CW617N (EN 12165)
Plunger	Stainless Steel 1.4106 EN 10088 (AISI 430F)
Top Stop	Stainless Steel 1.4105 EN 10088 (AISI 430F)
Springs	Stainless Steel AISI 302
Seal Material (Std)	Foodgrade FKM
Connection Type (Std)	G parallel thread (ISO 228-1)
Shading Ring	Copper
Electrical Characteristics	
Standard Coil Voltage DC (-)	24 V
Standard Coil Voltage AC 50 Hz (-)	24 V, 110 V, 200 V, 230 V
Standard Coil Voltage AC 60 Hz (-)	24 V, 120 V, 220 V, 240 V
Voltage Tolerance	+10% to -15% (AC)
	+10% to -5% (DC)
Duty Cycle	100% ED
Protection Class	IP65 (EN 60529) with plug and gasket correctly fitted *
Electrical Connection	to EN 175301 - 803 - A (ex DIN 43650)
Coil Insulation	Class F 155 °C
Power Rating (Standard)	AC 18 VA (holding) AC 36 VA (inrush) DC 14 W

### Features and Benefits

- Direct Acting
- Robust construction for industrial applications
- Zero pressure rated
- Manufactured in compliance to RoHS directive and to relevant international standards
- Choice of high quality seal materials
- Response time 5 to 25 ms



Pipe Size	Cv (gpm)	Kv (m³/h)	OPD (bar)		Orifice (mm)	Seal Material	Valve Code
			AC Voltages	DC Voltages			
¼"	0.11	0.09	0 - 25	0 - 24	1.7	FKM EPDM	D249D\VD D249DED
¼"	0.17	0.14	0 - 18	0 - 16	2.2	FKM EPDM	D249D\VF D249DEF
¼"	0.32	0.27	0 - 15	0 - 10	3.0	FKM EPDM	D249D\VH¹ D249DEH¹

¹ Minimum batch may be required.

### Options Available

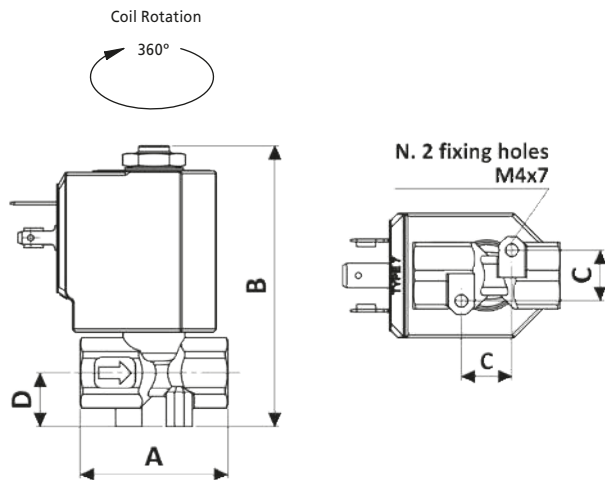
Valve Options (see coding chart)
Body threaded connection G ½"
NPT threads (minimum batch may be required)

Seal Material¹ and Media Temperature Range	Media	Ambient Temperature Range	
		Min	Max
FKM (-10 °C to +130 °C)	Water, oil, air	-10 °C	+50 °C
EPDM (-10 °C to +120 °C)	Water, hot water	-10 °C	+50 °C

¹ See corrosion reference guide and sealing solutions for material compatibility.

# D248/249 Series

## Compressed Air – 2/2 Normally Closed



### Preferred Valve Mounting Options



Pipe Size	A	B	C	D	Weight (kg)
1/8" - 1/4"	38	72.1	13	13.8	0.18

Dimensions (mm)

### Solenoid enclosures

#### 7--0 Type Coil - Insulation class F

External material: PBT (reinforced fibreglass 30%)  
 Electrical connection: DIN EN 175301-803 form A  
 Winding insulation: Class H (E180)  
 Enclosure classification: Conforms to IP65 (according to EN 60529) with plug and gasket correctly fitted\*



\* Plug and gasket not supplied as standard, must be ordered separately.

#### Type 600 011- Plug

Rated Voltage (max.): 250 VAC / 300 VDC  
 Nominal Current: 10A (rated) / 16A (max)  
 Wire cross-section: 1.5 mm<sup>2</sup> max  
 Cable Entry: PG9 (6 to 8 mm)  
 Enclosure classification: Conforms to IP65 (according to EN 60529) with supplied gasket  
 Insulation class: group C- VDE 0110  
 Housing colour: black  
 UL approved, file No: E538



### Coding chart

#### Main Valve Assembly

Pipe Size	
8	1/8"
9	1/4"

Seals		Orifice	
V	FKM	D	1.7
E	EPDM	F	2.2
		H	3.0 <sup>1</sup>

Option	
N	NPT
	w/o option

Voltage / Frequency - Class F	
7250	24 VDC
7200	24 V / 50/60 Hz
7400	110 V / 50 Hz - 120 V / 60 Hz
7600	200 V / 50 Hz - 220 V / 60 Hz
7700	230 V / 50 Hz - 240 V / 60 Hz

Plug	
0A1	c/w plug
	w/o plug

D	2	4	.	D	.	.	.	.	.	.	.	.	.	.	.	.	.
---	---	---	---	---	---	---	---	---	---	---	---	---	---	---	---	---	---

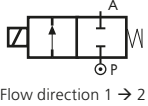




<sup>1</sup> Minimum batch may be required.

### Product coding example:

D249DVF 7700 0A1  
 1/2" G, auto operation, brass body, FKM seals, 2.2 mm orifice, 230 V / 50 Hz - 240 V / 60 Hz AC, with plug.

# D248/249 Series (USA)

## Compressed Air – 2/2 Normally Closed

Specifications	
Function (single acting)	 <p>Flow direction 1 → 2</p>
Maximum Viscosity	Max. 21cST (3 °E)
Body Material (Std)	Brass C37700 (UNS Designation)
Plunger	Stainless Steel AISI 430F (1.4106 EN 10088)
Top Stop	Stainless Steel AISI 430F (1.4105 EN 10088)
Springs	Stainless Steel AISI 302
Seal Material (Std)	Foodgrade FKM
Connection Type	NPT
Shading Ring	Copper
Electrical Characteristics	
 Coil Voltage DC (=)	24 V
 Coil Voltage AC 50 Hz (-)	24 V, 110 V, 230 V
 Coil Voltage AC 60 Hz (-)	120 V, 240 V
Voltage Tolerance	+10% to -15% (AC)
	+10% to -5% (DC)
Duty Cycle	100% ED
Enclosure Classification	NEMA type 4 (UL 50) and IP65 (EN 60529) with plug and gasket correctly fitted *
Electrical Connection	to EN 175301 - 803 - A (ex DIN 43650)
Coil Insulation Class	155 (F) to UL429 and to EN 60730-1
Power Rating 	AC 15 VA (holding) AC 30 VA (inrush) DC 10 W

### Features and Benefits

- Direct Acting
- Robust construction for industrial applications
- Zero pressure rated
- Choice of high quality seal materials
- Response time 5 to 25 ms



Pipe Size	Cv (gpm)	Kv (m³/h)	OPD psi (bar)		Orifice inches (mm)	Seal Material	Valve Code
			AC Voltages	DC Voltages			
1/4	0.11	0.09	0 - 362 (0 - 25)	0 - 348 (0 - 24)	1/16 (1.7)	FKM EPDM	D249D <sub>V</sub> DN D249D <sub>E</sub> DN
1/4	0.17	0.14	0 - 261 (0 - 18)	0 - 232 (0 - 16)	3/32 (2.2)	FKM EPDM	D249D <sub>V</sub> FN D249D <sub>E</sub> FN
1/4	0.32	0.27	0 - 189 (0 - 13)	0 - 87 (0 - 6)	1/8 (3.0)	FKM EPDM	D249D <sub>V</sub> HN D249D <sub>E</sub> HN

### Options Available

Valve Options (see coding chart)
Body threaded connection 1/8
G parallel thread (ISO 228-1)
CE coils, power DC 14W - AC 18VA <sup>1</sup>

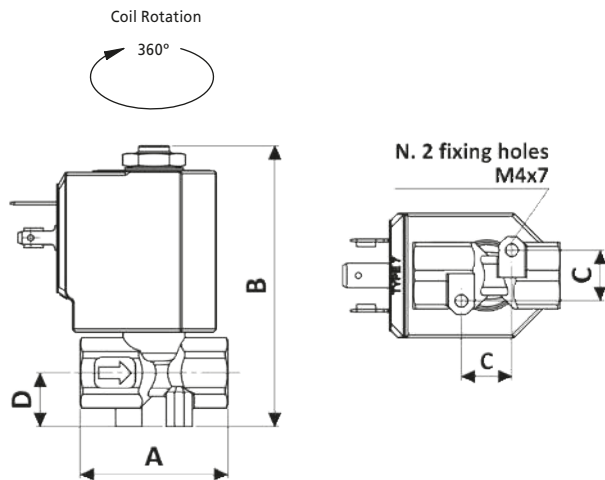
<sup>1</sup> Pressure ratings of valves fitted with CE coils may be higher than with UL coils (coils specifications on [Page 303](#)).

Seal Material <sup>3</sup> and Media Temperature Range	Media	Ambient Temperature Range	
		Min	Max
FKM 14 °F to 266 °F (-10 °C to +130 °C)	Water, oil, air	14 °F (-10 °C)	122 °F (+50 °C)
EPDM 14 °F to 248 °F (-10 °C to +120 °C)	Water, hot water	14 °F (-10 °C)	122 °F (+50 °C)

<sup>3</sup> See corrosion reference guide and sealing solutions for material compatibility.

# D248/249 Series (USA)

## Compressed Air – 2/2 Normally Closed



### Preferred Valve Mounting Options



Pipe Size	A	B	C	D	Weight Lb (kg)
1/8 - 1/4	1.50 (38)	2.84 (72.1)	0.51 (13)	0.54 (13.8)	0.39 (0.18)

Dimensions inches (mm)

### Solenoid enclosures

#### 7--R cULus Type Coil - Insulation class F

External material: PET 815ER Rynite®  
 Electrical connection: DIN EN 175301-803 form A  
 Winding insulation: Class H (P180)  
 Enclosure classification: Conforms to NEMA type 4 (UL 50) and IP65 (according to EN 60529) with plug and gasket correctly fitted\*  
 UL approved, file No: E193928



#### Type 600 011- Plug

Rated Voltage (max.): 250 VAC / 300 VDC  
 Nominal Current: 10A (rated) / 16A (max)  
 Wire cross-section: 0.0023 inch<sup>2</sup> max (1.5 mm<sup>2</sup> max)  
 Cable Entry: PG9 (0.24 to 0.31 inch / 6 to 8 mm)  
 Enclosure classification: Conforms to IP65 (according to EN 60529) with supplied gasket  
 Insulation class: group C- VDE 0110  
 Housing colour: black  
 UL approved, file No: E205538



\* Plug and gasket not supplied as standard, must be ordered separately.

### Coding chart

#### Main Valve Assembly

Pipe Size		Seals		Orifice		Thread Pipe		Option
8	1/8"	V	FKM	D	1/16	N	NPT	w/o option
9	1/4"	E	EPDM	F	3/32		GAS	
				H	1/8			

#### Coil options

Voltage / Frequency - cULus Type, Class F	
725R	24 VDC
720R	24 V / 50 Hz
740R	110 V / 50 Hz - 120 V / 60 Hz
770R	230 V / 50 Hz - 240 V / 60 Hz

Voltage / Frequency - CE Type, Class F	
7250	24 VDC
7200	24 V / 50/60 Hz
7400	110 V / 50 Hz - 120 V / 60 Hz
7600	200 V / 50 Hz - 220 V / 60 Hz
7700	230 V / 50 Hz - 240 V / 60 Hz

#### Plug

Plug	
0A1	c/w plug
	w/o plug

D	2	4	.	D	.	.	N	.	.	.	.	.	.	.	.	.	.	.
---	---	---	---	---	---	---	---	---	---	---	---	---	---	---	---	---	---	---

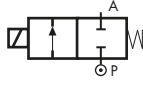
### Product coding example:

D249DVDN 770R 0A1  
 1/4 NPT, auto operation, brass body, FKM seals, 1/16 orifice, 230 V / 50Hz - 240 V / 60 Hz AC, with plug.



# D237/238/239 Series

## Automation – 2/2 Normally Closed

Specifications	
Function (single acting)	 <p>Flow direction overseat 1 → 2</p>
Maximum Viscosity	Max. 21cST (3 °E)
Body Material (Std) <sup>1</sup>	Brass CW617N (EN 12165)
Orifice Material <sup>2</sup>	Stainless Steel 1.4305 EN 10088 (AISI 303)
Flange <sup>3</sup>	Stainless Steel 1.4305 EN 10088 (AISI 303)
Tube	Stainless Steel AISI 304
Plunger	Stainless Steel 1.4106 EN 10088 (AISI 430F)
Top Stop	Stainless Steel 1.4105 EN 10088 (AISI 430F)
Springs	Stainless Steel AISI 302
Seal Material (Std)	Foodgrade FKM
Connection Type (Std)	G parallel thread (ISO 228-1)
Shading Ring	Copper
Electrical Characteristics	
Standard Coil Voltage DC (-)	24 V
Standard Coil Voltage AC 50 Hz (-)	24 V, 110 V, 200 V, 230 V
Standard Coil Voltage AC 60 Hz (-)	24 V, 120 V, 220 V, 240 V
Voltage Tolerance	+10% to -15% (AC)
	+10% to -5% (DC)
Duty Cycle	100% ED
Protection Class	IP65 (EN 60529) with plug and gasket correctly fitted *
Electrical Connection	to EN 175301 - 803 - A (ex DIN 43650)
Coil Insulation	Class F 155 °C
Power Rating (Standard)	AC 18 VA (holding) AC 36 VA (inrush) DC 14 W

<sup>1</sup> Body as D264/265/266 (on Page 38).

<sup>2</sup> Not for D237D-U, D238D-U and D239D-U.

<sup>3</sup> D237D-U, D238D-U and D239D-U carries an additional flange HEX 30 in Brass CW614N (EN 12164) between body and flange tube, see dimensional drawing on the right.

### Features and Benefits

- Direct Acting
- Robust construction for industrial applications
- Stainless steel AISI 430F operators with low residual magnetism
- Manufactured in compliance to RoHS directive and to relevant international standards
- Choice of high quality seal materials
- Response time 5 to 25 ms



Pipe Size	Cv (gpm)	Kv (m³/h)	OPD (bar)		Orifice (mm)	Seal Material	Valve Code
			AC Voltages	DC Voltages			
¼"	1.47	1.26	0 - 0.4	0 - 0.2	10.5	FKM EPDM NBR	D237DVU D237DEU D237DBU
⅜"	1.76	1.50	0 - 0.4	0 - 0.2	10.5	FKM EPDM NBR	D238DVU D238DEU D238DBU
½"	1.76	1.50	0 - 0.4	0 - 0.2	10.5	FKM EPDM NBR	D239DVU D239DEU D239DBU
⅜"	0.42	0.36	0 - 8	0 - 5	4.0	FKM EPDM NBR	D238DVL <sup>4</sup>
							D238DEL <sup>4</sup> D238DBL <sup>4</sup>
⅜"	0.53	0.45	0 - 5	0 - 2	5.0	FKM EPDM NBR	D238DVN <sup>4</sup>
							D238DEN <sup>4</sup> D238DBN <sup>4</sup>
⅜"	0.60	0.51	0 - 3.5	0 - 1.1	6.0	FKM EPDM NBR	D238DVP <sup>4</sup>
							D238DEP <sup>4</sup> D238DBP <sup>4</sup>
½"	0.32	0.27	0 - 17	0 - 12	3.0	FKM EPDM NBR	D239DVL <sup>4</sup>
							D239DEL <sup>4</sup> D239DBL <sup>4</sup>
½"	0.42	0.36	0 - 8	0 - 5	4.0	FKM EPDM NBR	D239DVL <sup>4</sup>
							D239DEN <sup>4</sup> D239DBL <sup>4</sup>
½"	0.53	0.45	0 - 5	0 - 2	5.0	FKM EPDM NBR	D239DVN <sup>4</sup>
							D239DEN <sup>4</sup> D239DBN <sup>4</sup>
½"	0.60	0.51	0 - 3.5	0 - 1.1	6.0	FKM EPDM NBR	D239DVP <sup>4</sup>
							D239DEP <sup>4</sup> D239DBP <sup>4</sup>

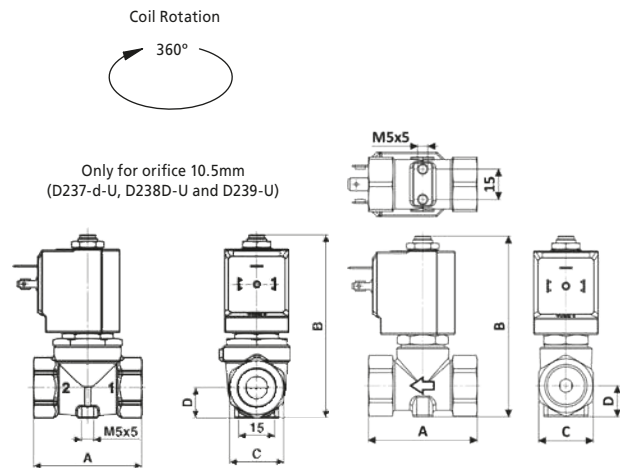
<sup>4</sup> Same flange tube as D262/263 (on Page 22) see dimensional drawing on the right.

Seal Material <sup>1</sup> and Media Temperature Range	Media	Ambient Temperature Range	
		Min	Max
FKM (-10 °C to +130 °C)	Water, oil, air	-10 °C	+50 °C
EPDM (-10 °C to +120 °C)	Water, hot water	-10 °C	+50 °C
NBR (-10 °C to +90 °C)	Water, oil, air	-10 °C	+50 °C

<sup>1</sup> See corrosion reference guide and sealing solutions for material compatibility.

# D237/238/239 Series

Automation – 2/2 Normally Closed



Preferred Valve Mounting Options



Pipe Size	Orifice (mm)	A	B	C	D	Weight (kg)
1/4" - 3/8" - 1/2"	10.5	54	89	HEX 27	15	0.45
1/4" - 3/8" - 1/2"	from 3 to 6	54	89.35	HEX 27	15	0.45

Dimensions (mm)

## Solenoid enclosures

### 7--0 Type Coil - Insulation class F

External material: PBT (reinforced fibreglass 30%)  
 Electrical connection: DIN EN 175301-803 form A  
 Winding insulation: Class H (E180)  
 Enclosure classification: Conforms to IP65 (according to EN 60529) with plug and gasket correctly fitted\*



### Type 600 011- Plug

Rated Voltage (max.): 250 VAC / 300 VDC  
 Nominal Current: 10A (rated) / 16A (max)  
 Wire cross-section: 1.5 mm² max  
 Cable Entry: PG9 (6 to 8 mm)  
 Enclosure classification: Conforms to IP65 (according to EN 60529) with supplied gasket  
 Insulation class: group C- VDE 0110  
 Housing colour: black  
 UL approved, file No: E538



\* Plug and gasket not supplied as standard, must be ordered separately.

## Coding chart

### Main Valve Assembly

Pipe Size
7 1/4"
8 3/8"
9 1/2"

Seals		Orifice	
V	FKM	U	10.5
E	EPDM	H	3.0
B	NBR	L	4.0
		N	5.0
		P	6.0

Option
w/o option

### Coil options

Voltage / Frequency - Class F	
7250	24 VDC
7200	24 V / 50/60 Hz
7400	110 V / 50 Hz - 120 V / 60 Hz
7600	200 V / 50 Hz - 220 V / 60 Hz
7700	230 V / 50 Hz - 240 V / 60 Hz

### Plug

Plug
w/o plug
0A1 c/w plug

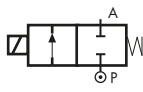
D	2	3	.	D	.	.	.	.	.	.	.	.	.	.	.	.	.	.
---	---	---	---	---	---	---	---	---	---	---	---	---	---	---	---	---	---	---

## Product coding example:

D237DVU 7250  
 1/4" G, auto operation, brass body, FKM seals, 10.5 mm orifice, 24 VDC, without plug.

# D237/238/239 Series (USA)

Automation – 2/2 Normally Closed

Specifications	
Function (single acting)	 <p>Flow direction overseat 1 → 2</p>
Maximum Viscosity	Max. 21cST (3 °E)
Body Material (Std)	Brass C37700 (UNS Designation)
Orifice Material <sup>1</sup>	Stainless Steel AISI 303 (1.4305 EN 10088)
Flange <sup>2</sup>	Stainless Steel AISI 303 (1.4305 EN 10088)
Tube	Stainless Steel AISI 304
Plunger	Stainless Steel AISI 430F (1.4106 EN 10088)
Top Stop	Stainless Steel AISI 430F (1.4105 EN 10088)
Springs	Stainless Steel AISI 302
Seal Material (Std)	Foodgrade FKM
Connection Type	NPT
Shading Ring	Copper
Electrical Characteristics <sup>3</sup>	
Standard Coil Voltage DC (=)	24 V
Standard Coil Voltage AC 50 Hz (-)	24 V, 110 V, 200 V, 230 V
Standard Coil Voltage AC 60 Hz (-)	24 V, 120 V, 220 V, 240 V
Voltage Tolerance	+10% to -15% (AC)
	+10% to -5% (DC)
Duty Cycle	100% ED
Enclosure Classification	NEMA type 4 (UL 50) and IP65 (EN 60529) with plug and gasket correctly fitted *
Electrical Connection	to EN 175301 - 803 - A (ex DIN 43650)
Coil Insulation Class	155 (F) to EN 60730-1
Power Rating (Standard)	AC 18 VA (holding) AC 36 VA (inrush) DC 14 W

<sup>1</sup> Not for D237D-U, D238D-U and D239D-U.

<sup>2</sup> D237D-U, D238D-U and D239D-U carries an additional flange HEX 30 mm in Brass between body and flange tube, see dimensional drawing on the right.

<sup>3</sup> These coils are not UL approved.

## Options Available

Valve Options (see coding chart)
G parallel thread (ISO 228-1)

## Features and Benefits

- Direct Acting
- Robust construction for industrial applications
- Stainless steel AISI 430F operators with low residual magnetism
- Choice of high quality seal materials
- Response time 5 to 25 ms



Pipe Size	Cv (gpm)	Kv (m³/h)	OPD psi (bar)		Orifice inches (mm)	Seal Material	Valve Code
			AC Voltages	DC Voltages			
1/4	1.47	1.26	0 - 5.8 (0 - 0.4)	0 - 2.9 (0 - 0.2)	13/32 (10.5)	FKM EPDM NBR	D237DUN <sup>4</sup> D237DEUN <sup>4</sup> D237DBUN <sup>4</sup>
3/8	1.76	1.50	0 - 5.8 (0 - 0.4)	0 - 2.9 (0 - 0.2)	13/32 (10.5)	FKM EPDM NBR	D238DUN <sup>4</sup> D238DEUN <sup>4</sup> D238DBUN <sup>4</sup>
1/2	1.76	1.50	0 - 5.8 (0 - 0.4)	0 - 2.9 (0 - 0.2)	13/32 (10.5)	FKM EPDM NBR	D239DUN <sup>4</sup> D239DEUN <sup>4</sup> D239DBUN <sup>4</sup>
3/8	0.42	0.36	0 - 116 (0 - 8)	0 - 73 (0 - 5)	5/32 (4.0)	FKM EPDM NBR	D238DVLN <sup>5</sup> D238DELN <sup>5</sup> D238DBLN <sup>5</sup>
3/8	0.53	0.45	0 - 73 (0 - 5)	0 - 29 (0 - 2)	13/64 (5.0)	FKM EPDM NBR	D238DVNN <sup>5</sup> D238DENN <sup>5</sup> D238DBNN <sup>5</sup>
3/8	0.60	0.51	0 - 51 (0 - 3.5)	0 - 16 (0 - 1.1)	15/64 (6.0)	FKM EPDM NBR	D238DVPN <sup>5</sup> D238DEPN <sup>5</sup> D238DBPN <sup>5</sup>
1/2	0.32	0.27	0 - 247 (0 - 17)	0 - 174 (0 - 12)	1/8 (3.0)	FKM EPDM NBR	D239DVLN <sup>5</sup> D239DELN <sup>5</sup> D239DBLN <sup>5</sup>
1/2	0.42	0.36	0 - 116 (0 - 8)	0 - 73 (0 - 5)	5/32 (4.0)	FKM EPDM NBR	D239DVLN <sup>5</sup> D239DELN <sup>5</sup> D239DBLN <sup>5</sup>
1/2	0.53	0.45	0 - 73 (0 - 5)	0 - 29 (0 - 2)	13/64 (5.0)	FKM EPDM NBR	D239DVNN <sup>5</sup> D239DENN <sup>5</sup> D239DBNN <sup>5</sup>
1/2	0.60	0.51	0 - 51 (0 - 3.5)	0 - 16 (0 - 1.1)	15/64 (6.0)	FKM EPDM NBR	D239DVPN <sup>5</sup> D239DEPN <sup>5</sup> D239DBPN <sup>5</sup>

<sup>4</sup> Body as D264/265/266 (on Page 40).

<sup>5</sup> Same flange tube as D262/263 (on Page 24), see dimensional drawing on the right.

Seal Material <sup>6</sup> and Media Temperature Range	Media	Ambient Temperature Range	
		Min	Max
FKM 14 °F to 266 °F (-10 °C to +130 °C)	Water, oil, air	14 °F (-10 °C)	122 °F (+50 °C)
EPDM 14 °F to 248 °F (-10 °C to +120 °C)	Water, hot water	14 °F (-10 °C)	122 °F (+50 °C)
NBR 14 °F to 194 °F (-10 °C to +90 °C)	Water, oil, air	14 °F (-10 °C)	122 °F (+50 °C)

<sup>6</sup> See corrosion reference guide and sealing solutions for material compatibility.

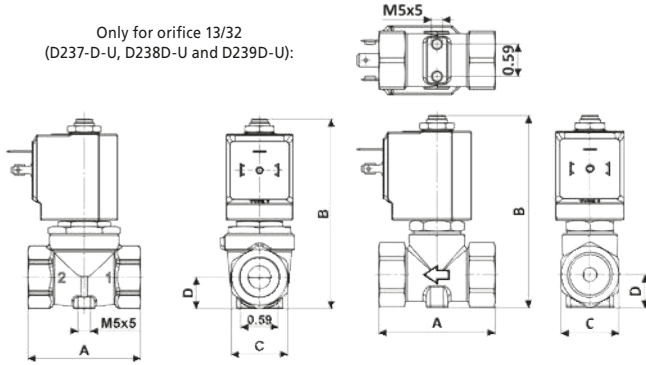
# D237/238/239 Series (USA)

Automation – 2/2 Normally Closed

Coil Rotation



Only for orifice 13/32  
(D237-D-U, D238D-U and D239D-U):



Preferred Valve Mounting Options



Pipe Size	Orifice inches	A	B	C	D	Weight Lb (kg)
1/4 - 3/8 - 1/2	13/32	2.13 (54)	3.50 (89)	HEX 27 (27)	0.59 (15)	0.99 (0.45)
1/4 - 3/8 - 1/2	from 1/8 to 15/64	2.13 (54)	3.52 (89.35)	HEX 27 (27)	0.59 (15)	0.99 (0.45)

Dimensions inches (mm)

## Solenoid enclosures

### 7--0 Type Coil - Insulation class F

External material: PBT (reinforced fibreglass 30%)  
 Electrical connection: DIN EN 175301-803 form A  
 Winding insulation: Class H (E180)  
 Enclosure classification: Conforms to NEMA type 4 (UL 50) and IP65 (according to EN 60529) with plug and gasket correctly fitted\*



\* Plug and gasket not supplied as standard, must be ordered separately.

### Type 600 011- Plug

Rated Voltage (max.): 250 VAC / 300 VDC  
 Nominal Current: 10A (rated) / 16A (max)  
 Wire cross-section: 0.0023 inch<sup>2</sup> max (1.5 mm<sup>2</sup> max)  
 Cable Entry: PG9 (0.24 to 0.31 inch / 6 to 8 mm)  
 Enclosure classification: Conforms to IP65 (according to EN 60529) with supplied gasket  
 Insulation class: group C- VDE 0110  
 Housing colour: black  
 UL approved, file No: E205538



## Coding chart

### Main Valve Assembly

Pipe Size	
7	1/4
8	3/8
9	1/2

Seals		Orifice	
V	FKM	H	1/8
E	EPDM	L	5/32
B	NBR	N	13/64
		P	15/64
		U	13/32

Thread Pipe	Option
N NPT	w/o option
GAS	

### Coil options

Voltage / Frequency - CE Type, Class F	
7250	24 VDC
7200	24 V / 50/60 Hz
7400	110 V / 50 Hz - 120 V / 60 Hz
7600	200 V / 50 Hz - 220 V / 60 Hz
7700	230 V / 50 Hz - 240 V / 60 Hz

### Plug

Plug	
	w/o plug
0A1	c/w plug

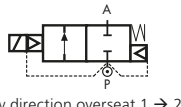
D	2	3	.	D	.	.	N	.	.	.	.	.	.	.	.	.	.	.
---	---	---	---	---	---	---	---	---	---	---	---	---	---	---	---	---	---	---

### Product coding example:

D237DVUN 7250  
 1/4 NPT, auto operation, brass body, FKM seals, 13/32 orifice, 24 VDC, without plug.

# D884/885/886 Series

## General Purpose – 2/2 Normally Closed

Specifications	
Function (single acting)	 <p>Flow direction overseat 1 → 2</p>
Maximum Viscosity	Max. 21cST (3 °E)
Body Material (Std)	Brass CW617N (EN 12165)
Flange <sup>1</sup>	Stainless Steel 1.4305 EN 10088 (AISI 303)
Tube	Stainless Steel AISI 304
Plunger	Stainless Steel 1.4106 EN 10088 (AISI 430F)
Top Stop	Stainless Steel 1.4105 EN 10088 (AISI 430F)
Springs	Stainless Steel AISI 302
Seal Material (Std)	FKM
Connection Type (Std)	G parallel thread (ISO 228-1)
Shading Ring	Copper
Electrical Characteristics	
Standard Coil Voltage DC (=)	24 V
Standard Coil Voltage AC 50 Hz (-)	24 V, 110 V, 200 V, 230 V
Standard Coil Voltage AC 60 Hz (-)	24 V, 120 V, 220 V, 240 V
Voltage Tolerance	+10% to -15% (AC)
	+10% to -5% (DC)
Duty Cycle	100% ED
Protection Class	IP65 (EN 60529) with plug and gasket correctly fitted *
Electrical Connection	to EN 175301 - 803 - A (ex DIN 43650)
Coil Insulation	Class F 155 °C
Power Rating (Standard)	AC 18 VA (holding) AC 36 VA (inrush) DC 14 W

<sup>1</sup> This valve carries an additional flange HEX 30 in Brass CW614N (EN 12164) between body and flange tube.

### Features and Benefits

- Pilot operated with assisted lift
- Robust construction for industrial applications
- Stainless steel AISI 430F operators with low residual magnetism
- Manufactured in compliance to RoHS directive and to relevant international standards
- High quality seal materials
- Response time 50 to 500 ms



Pipe Size	Cv (gpm)	Kv (m <sup>3</sup> /h)	OPD (bar)		Orifice (mm)	Seal Material	Valve Code
			AC Voltages	DC Voltages			
¼"	1.47	1.26	0 - 16	0 - 6	10.5	FKM	D884D <u>Y</u> U
⅜"	1.68	1.44				FKM	D885D <u>Y</u> U
½"	1.76	1.50				FKM	D886D <u>Y</u> U

### Options Available

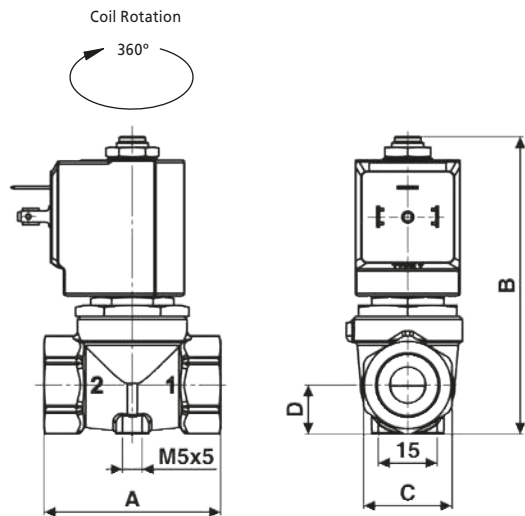
Valve Options (see coding chart)
NPT threads (minimum batch may be required)
Silver shading ring

Seal Material <sup>1</sup> and Media Temperature Range	Media	Ambient Temperature Range	
		Min	Max
FKM (-10 °C to +130 °C)	Water, oil, air	-10 °C	+50 °C

<sup>1</sup> See corrosion reference guide and sealing solutions for material compatibility.

# D884/885/886 Series

## General Purpose – 2/2 Normally Closed



### Preferred Valve Mounting Options



Pipe Size	A	B	C	D	Weight (kg)
1/4"	54	89	HEX 27	15	0.45
3/8" - 1/2"	54	89	HEX 27	15	0.4

Dimensions (mm)

### Solenoid enclosures

#### 7--0 Type Coil - Insulation class F

External material: PBT (reinforced fibreglass 30%)  
 Electrical connection: DIN EN 175301-803 form A  
 Winding insulation: Class H (E180)  
 Enclosure classification: Conforms to IP65 (according to EN 60529) with plug and gasket correctly fitted\*



\* Plug and gasket not supplied as standard, must be ordered separately.

#### Type 600 011- Plug

Rated Voltage (max.): 250 VAC / 300 VDC  
 Nominal Current: 10A (rated) / 16A (max)  
 Wire cross-section: 1.5 mm<sup>2</sup> max  
 Cable Entry: PG9 (6 to 8 mm)  
 Enclosure classification: Conforms to IP65 (according to EN 60529) with supplied gasket  
 Insulation class: group C- VDE 0110  
 Housing colour: black  
 UL approved, file No: E205538



### Coding chart

#### Main Valve Assembly

Pipe Size
4 1/4"
5 3/8"
6 1/2"

Option
N NPT
A Silver shading ring
w/o option

Voltage / Frequency - Class F	
7250	24 VDC
7200	24 V / 50/60 Hz
7400	110 V / 50 Hz - 120 V / 60 Hz
7600	200 V / 50 Hz - 220 V / 60 Hz
7700	230 V / 50 Hz - 240 V / 60 Hz

Plug
w/o plug
0A1 c/w plug

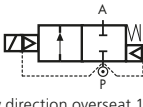
D	8	8	.	D	V	U	.	.	.	.	.	.	.	.	.
---	---	---	---	---	---	---	---	---	---	---	---	---	---	---	---

### Product coding example:

D884DVU 7250  
 1/4" G, auto operation, brass body, FKM seals, 10.5 mm orifice, 24 VDC, without plug.

# D884/885/886 Series (USA)

## General Purpose – 2/2 Normally Closed

Specifications	
Function (single acting)	 <p>Flow direction overseat 1 → 2</p>
Maximum Viscosity	Max. 21cST (3 °E)
Body Material (Std)	Brass C37700 (UNS Designation)
Flange <sup>1</sup>	Stainless Steel AISI 303 (1.4305 EN 10088)
Tube	Stainless Steel AISI 304
Plunger	Stainless Steel AISI 430F (1.4106 EN 10088)
Top Stop	Stainless Steel AISI 430F (1.4105 EN 10088)
Springs	Stainless Steel AISI 302
Seal Material (Std)	FKM
Connection Type	NPT
Shading Ring	Copper
Electrical Characteristics	
Coil Voltage DC (–)	24 V
Coil Voltage AC 50 Hz (–)	24 V, 110 V, 230 V
Coil Voltage AC 60 Hz (–)	120 V, 240 V
Voltage Tolerance	+10% to -15% (AC)
	+10% to -5% (DC)
Duty Cycle	100% ED
Enclosure Classification	NEMA type 4 (UL 50) and IP65 (EN 60529) with plug and gasket correctly fitted *
Electrical Connection	to EN 175301 - 803 - A (ex DIN 43650)
Coil Insulation Class	155 (F) to UL429 and to EN 60730-1
Power Rating (UL Coils)	AC 15 VA (holding) AC 30 VA (inrush) DC 10 W

<sup>1</sup> This valve carries an additional flange HEX 30 mm in Brass C37700 between body and flange tube.

### Options Available

Valve Options (see coding chart)
G parallel thread (ISO 228-1)
Silver shading ring
CE coils, power DC 14W - AC 18 VA <sup>2</sup>

<sup>2</sup> Pressure ratings of valves fitted with CE coils may be higher than with UL coils (coils specifications on [Page 303](#)).

### Features and Benefits

- Pilot operated with assisted lift
- Robust construction for industrial applications
- Stainless steel AISI 430F operators with low residual magnetism
- High quality seal materials
- Response time 50 to 500 ms



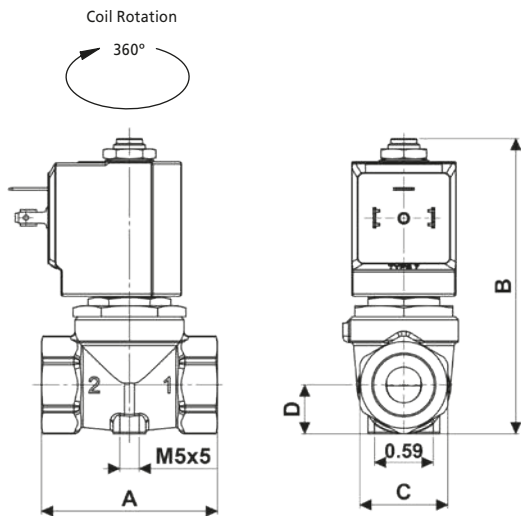
Pipe Size	Cv (gpm)	Kv (m <sup>3</sup> /h)	OPD psi (bar)		Orifice inches (mm)	Seal Material	Valve Code
			AC Voltages	DC Voltages			
1/4	1.47	1.26	0 - 232 (0 - 16)	0 - 44 (0 - 3)	13/32 (10.5)	FKM	D884D <u>Y</u> UN
3/8	1.68	1.44					D885D <u>Y</u> UN
1/2	1.76	1.50					D886D <u>Y</u> UN

Seal Material <sup>3</sup> and Media Temperature Range	Media	Ambient Temperature Range	
		Min	Max
FKM 14 °F to 266 °F (-10 °C to +130 °C)	Water, oil, air	14 °F (-10 °C)	122 °F (+50 °C)

<sup>3</sup> See corrosion reference guide and sealing solutions for material compatibility.

# D884/885/886 Series (USA)

General Purpose – 2/2 Normally Closed



Preferred Valve Mounting Options



Pipe Size	A	B	C	D	Weight Lb (kg)
1/4	2.13 (54)	3.50 (89)	HEX 27 (27)	0.59 (15)	0.99 (0.45)
3/8 - 1/2	2.13 (54)	3.50 (89)	HEX 27 (27)	0.59 (15)	0.88 (0.4)

Dimensions inches (mm)

## Solenoid enclosures

7--R cULus Type Coil - Insulation class F

Encapsulation material: PET 815ER Rynite®

Electrical connection: DIN EN 175301-803 form A

Winding insulation: Class H (P180)

Enclosure classification: Conforms to NEMA type 4 (UL 50) and IP65 (according to EN 60529) with plug and gasket correctly fitted\*

UL approved, file No: E193928



## Type 600 011- Plug

Rated Voltage (max.): 250 VAC / 300 VDC

Nominal Current: 10A (rated) / 16A (max)

Wire cross-section: 0.0023 inch<sup>2</sup> max (1.5 mm<sup>2</sup> max)

Cable Entry: PG9 (0.24 to 0.31 inch / 6 to 8 mm)

Enclosure classification: Conforms to IP65 (according to EN 60529) with supplied gasket

Insulation class: group C- VDE 0110

Housing colour: black

UL approved, file No: E205538



## Coding chart

### Main Valve Assembly

Pipe Size
4 1/4
5 3/8
6 1/2

Thread Pipe	Option
N NPT	A Silver shading ring
GAS	w/o option

### Coil options

Voltage / Frequency - cULus Type, Class F	
725R	24 VDC
720R	24 V / 50 Hz
740R	110 V / 50 Hz - 120 V / 60 Hz
770R	230 V / 50 Hz - 240 V / 60 Hz
Voltage / Frequency - CE Type, Class F	
7250	24 VDC
7200	24 V / 50/60 Hz
7400	110 V / 50 Hz - 120 V / 60 Hz
7600	200 V / 50 Hz - 220 V / 60 Hz
7700	230 V / 50 Hz - 240 V / 60 Hz

### Plug

Plug
w/o plug
0A1 c/w plug

D	8	8	•	D	V	U	N	•	•	•	•	•	•	•	•
---	---	---	---	---	---	---	---	---	---	---	---	---	---	---	---

## Product coding example:

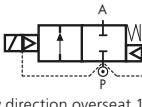
D884DVUN 725R

1/4 NPT, auto operation, brass body, FKM seals, 13/32 orifice, 24 VDC, without plug.



# D264/265/266 Series

## General Purpose and Compressed Air – 2/2 Normally Closed

Specifications	
Function (single acting)	 <p>Flow direction overseat 1 → 2</p>
Maximum Viscosity	Max. 21cST (3 °E)
Body Material (Std)	Brass CW617N (EN 12165)
Flange <sup>1</sup>	Stainless Steel 1.4305 EN 10088 (AISI 303)
Tube	Stainless Steel AISI 304
Plunger	Stainless Steel 1.4106 EN 10088 (AISI 430F)
Top Stop	Stainless Steel 1.4105 EN 10088 (AISI 430F)
Springs	Stainless Steel AISI 302
Seal Material (Std)	NBR
Connection Type (Std)	G parallel thread (ISO 228-1)
Shading Ring	Copper
Electrical Characteristics	
Standard Coil Voltage DC (=)	24 V
Standard Coil Voltage AC 50 Hz (-)	24 V, 110 V, 200 V, 230 V
Standard Coil Voltage AC 60 Hz (-)	24 V, 120 V, 220 V, 240 V
Voltage Tolerance	+10% to -15% (AC)
	+10% to -5% (DC)
Duty Cycle	100% ED
Protection Class	IP65 (EN 60529) with plug and gasket correctly fitted *
Electrical Connection	to EN 175301 - 803 - A (ex DIN 43650)
Coil Insulation	Class F 155 °C
Power Rating (Standard)	AC 18 VA (holding) AC 36 VA (inrush) DC 14 W

<sup>1</sup> This valve carries an additional flange HEX 30 in Brass CW614N (EN 12164) between body and flange tube.

### Features and Benefits

- Pilot operated
- Robust construction for industrial applications
- Stainless steel AISI 430F operators with low residual magnetism
- Manufactured in compliance to RoHS directive and to relevant international standards
- Choice of high quality seal materials
- Response time 50 to 500 ms



Pipe Size	Cv (gpm)	Kv (m³/h)	OPD (bar)		Orifice (mm)	Seal Material	Valve Code
			AC Voltages	DC Voltages			
¼"	1.47	1.26	0.1- 16	0.1- 7	10.5	NBR	D264DBU
						FKM	D264DYU
EPDM	D264DEU						
⅜"	1.68	1.44				NBR	D265DBU
						FKM	D265DYU
EPDM	D265DEU						
½"	1.76	1.50	NBR	D266DBU			
			FKM	D266DYU			
EPDM	D266DEU						

### Options Available

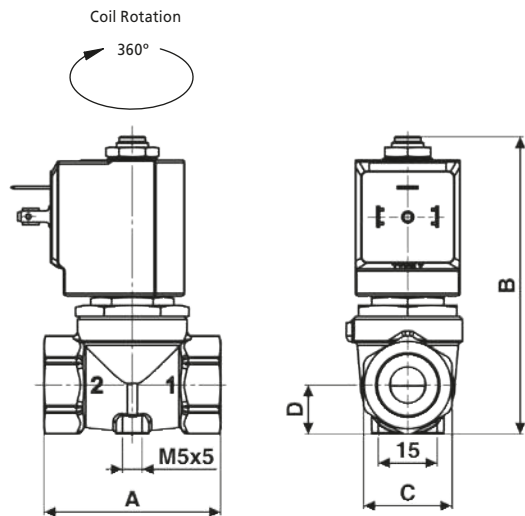
Valve Options (see coding chart)
NPT threads (minimum batch may be required)

Seal Material <sup>2</sup> and Media Temperature Range	Media	Ambient Temperature Range	
		Min	Max
NBR (-10 °C to +90 °C)	Water, oil, air	-10 °C	+50 °C
FKM (-10 °C to +130 °C)	Water, oil, air	-10 °C	+50 °C
EPDM (-10 °C to +120 °C)	Water, hot water	-10 °C	+50 °C

<sup>2</sup> See corrosion reference guide and sealing solutions for material compatibility.

# D264/265/266 Series

## General Purpose and Compressed Air – 2/2 Normally Closed



Preferred Valve Mounting Options



Pipe Size	A	B	C	D	Weight (kg)
1/4"	54	89	HEX 27	15	0.45
3/8" - 1/2"	54	89	HEX 27	15	0.4

Dimensions (mm)

### Solenoid enclosures

#### 7--0 Type Coil - Insulation class F

External material: PBT (reinforced fibreglass 30%)  
 Electrical connection: DIN EN 175301-803 form A  
 Winding insulation: Class H (E180)  
 Enclosure classification: Conforms to IP65 (according to EN 60529) with plug and gasket correctly fitted\*



\* Plug and gasket not supplied as standard, must be ordered separately.

#### Type 600 011- Plug

Rated Voltage (max.): 250 VAC / 300 VDC  
 Nominal Current: 10A (rated) / 16A (max)  
 Wire cross-section: 1.5 mm<sup>2</sup> max  
 Cable Entry: PG9 (6 to 8 mm)  
 Enclosure classification: Conforms to IP65 (according to EN 60529) with supplied gasket  
 Insulation class: group C- VDE 0110  
 Housing colour: black  
 UL approved, file No: E205538



### Coding chart

#### Main Valve Assembly

Pipe Size
4 1/4"
5 3/8"
6 1/2"

Seals
B NBR
V FKM
E EPDM

Option
N NPT
w/o option

#### Coil options

Voltage / Frequency - Class F	
7250	24 VDC
7200	24 V / 50/60 Hz
7400	110 V / 50 Hz - 120 V / 60 Hz
7600	200 V / 50 Hz - 220 V / 60 Hz
7700	230 V / 50 Hz - 240 V / 60 Hz

#### Plug

Plug
w/o plug
0A1 c/w plug

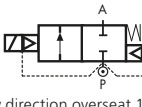




D	2	6	.	D	.	U	.	.	.	.	.	.	.	.	.
---	---	---	---	---	---	---	---	---	---	---	---	---	---	---	---

### Product coding example:

D264DBU 7250  
 1/4" G, auto operation, brass body, NBR seals, 10.5 mm orifice, 24 VDC, without plug.

# D264/265/266 Series (USA)

General Purpose and Compressed Air – 2/2 Normally Closed

Specifications	
Function (single acting)	 Flow direction overseat 1 → 2
Maximum Viscosity	Max. 21cST (3 °E)
Body Material (Std)	Brass C37700 (UNS Designation)
Flange <sup>1</sup>	Stainless Steel AISI 303 (1.4305 EN 10088)
Tube	Stainless Steel AISI 304
Plunger	Stainless Steel AISI 430F (1.4106 EN 10088)
Top Stop	Stainless Steel AISI 430F (1.4105 EN 10088)
Springs	Stainless Steel AISI 302
Seal Material (Std)	NBR
Connection Type	NPT
Shading Ring	Copper
Electrical Characteristics	
 Coil Voltage DC (=)	24 V
 Coil Voltage AC 50 Hz (-)	24 V, 110 V, 230 V
 Coil Voltage AC 60 Hz (-)	120 V, 240 V
Voltage Tolerance	+10% to -15% (AC)
	+10% to -5% (DC)
Duty Cycle	100% ED
Enclosure Classification	NEMA type 4 (UL 50) and IP65 (EN 60529) with plug and gasket correctly fitted *
Electrical Connection	to EN 175301 - 803 - A (ex DIN 43650)
Coil Insulation Class	155 (F) to UL429 and to EN 60730-1
Power Rating  Coils	AC 15 VA (holding) AC 30 VA (inrush) DC 10 W

<sup>1</sup> This valve carries an additional flange HEX 30 mm in Brass C37700 between body and flange tube.

## Features and Benefits

- Pilot operated
- Robust construction for industrial applications
- Stainless steel AISI 430F operators with low residual magnetism
- Choice of high quality seal materials
- Response time 50 to 500 ms



Pipe Size	Cv (gpm)	Kv (m³/h)	OPD psi (bar)		Orifice inches (mm)	Seal Material	Valve Code
			AC Voltages	DC Voltages			
¼	1.47	1.26	1.5 - 232 (0.1- 16)	1.5 - 102 (0.1- 7)	1 <sup>3</sup> / <sub>32</sub> (10.5)	NBR	D264DBUN
						FKM	D264DYUN
						EPDM	D264DEUN
¾	1.68	1.44	1.5 - 232 (0.1- 16)	1.5 - 102 (0.1- 7)	1 <sup>3</sup> / <sub>32</sub> (10.5)	NBR	D265DBUN
						FKM	D265DYUN
						EPDM	D265DEUN
½	1.76	1.50	1.5 - 232 (0.1- 16)	1.5 - 102 (0.1- 7)	1 <sup>3</sup> / <sub>32</sub> (10.5)	NBR	D266DBUN
						FKM	D266DYUN
						EPDM	D266DEUN

## Options Available

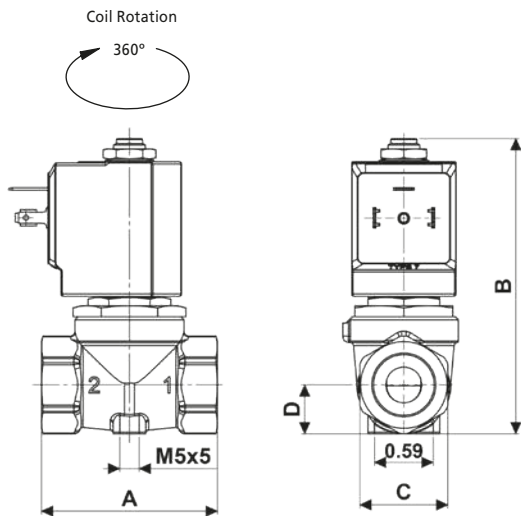
Valve Options (see coding chart)
G parallel thread (ISO 228-1)
CE coils, power DC 14W - AC 18 VA

Seal Material <sup>2</sup> and Media Temperature Range	Media	Ambient Temperature Range	
		Min	Max
NBR 14 °F to 194 °F (-10 °C to +90 °C)	Water, oil, air	14 °F (-10 °C)	122 °F (+50 °C)
FKM 14 °F to 266 °F (-10 °C to +130 °C)	Water, oil, air	14 °F (-10 °C)	122 °F (+50 °C)
EPDM 14 °F to 248 °F (-10 °C to +120 °C)	Water, hot water	14 °F (-10 °C)	122 °F (+50 °C)

<sup>2</sup> See corrosion reference guide and sealing solutions for material compatibility.

# D264/265/266 Series (USA)

General Purpose and Compressed Air – 2/2 Normally Closed



Preferred Valve Mounting Options



Pipe Size	A	B	C	D	Weight Lb (kg)
1/4	2.13 (54)	3.50 (89)	HEX 27 (27)	0.59 (15)	0.99 (0.45)
3/8 - 1/2	2.13 (54)	3.50 (89)	HEX 27 (27)	0.59 (15)	0.88 (0.4)

Dimensions inches (mm)

## Solenoid enclosures

7--R cULus Type Coil - Insulation class F

Encapsulation material: PET 815ER Rynite®

Electrical connection: DIN EN 175301-803 form A

Winding insulation: Class H (P180)

Enclosure classification: Conforms to NEMA type 4 (UL 50) and IP65 (according to EN 60529) with plug and gasket correctly fitted\*

UL approved, file No: E193928



## Type 600 011- Plug

Rated Voltage (max.): 250 VAC / 300 VDC

Nominal Current: 10A (rated) / 16A (max)

Wire cross-section: 0.0023 inch<sup>2</sup> max (1.5 mm<sup>2</sup> max)

Cable Entry: PG9 (0.24 to 0.31 inch / 6 to 8 mm)

Enclosure classification: Conforms to IP65 (according to EN 60529) with supplied gasket

Insulation class: group C- VDE 0110

Housing colour: black

UL approved, file No: E205538



## Coding chart

### Main Valve Assembly

Pipe Size
4 1/4
5 3/8
6 1/2

Seals
B NBR
V FKM
E EPDM

Thread Pipe	Option
N NPT	w/o option
GAS	

### Coil options

Voltage / Frequency - cULus Type, Class F	
725R	24 VDC
720R	24 V / 50 Hz
740R	110 V / 50 Hz - 120 V / 60 Hz
770R	230 V / 50 Hz - 240 V / 60 Hz

Voltage / Frequency - CE Type, Class F	
7250	24 VDC
7200	24 V / 50/60 Hz
7400	110 V / 50 Hz - 120 V / 60 Hz
7600	200 V / 50 Hz - 220 V / 60 Hz
7700	230 V / 50 Hz - 240 V / 60 Hz

### Plug

Plug
w/o plug
0A1 c/w plug

D	2	6	.	D	.	U	N	.	.	.	.	.	.	.	.
---	---	---	---	---	---	---	---	---	---	---	---	---	---	---	---

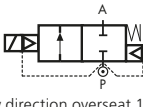



## Product coding example:

D264DBUN 7250

1/4 NPT, auto operation, brass body, NBR seals, 13/32 orifice, 24 VDC, without plug.

# D187/188/189/190/192/293 - C D187/188/189/190/192/293 Series (USA)

## General Purpose – 2/2 Normally Closed

Specifications	
Function (single acting)	 <p>Flow direction overseat 1 → 2</p>
Maximum Viscosity	Max. 21cST (3 °E)
Body Material (Std)	Brass C37700 (UNS Designation)
Flange	Stainless Steel AISI 303 (1.4305 EN 10088)
Tube	Stainless Steel AISI 304
Plunger	Stainless Steel AISI 430F (1.4106 EN 10088)
Top Stop	Stainless Steel AISI 430F (1.4105 EN 10088)
Springs	Stainless Steel AISI 302
Seal Material (Std)	NBR
Connection Type	NPT
Shading Ring	Copper
Electrical Characteristics	
Standard Coil Voltage DC (=)	24 V
 Coil Voltage AC 50 Hz (-)	24 V, 110 V, 230 V
 Coil Voltage AC 60 Hz (-)	120 V, 240 V
Voltage Tolerance	+10% to -15% (AC)
	+10% to -5% (DC)
Duty Cycle	100% ED
Enclosure Classification	NEMA type 4 (UL 50) and IP65 (EN 60529) with plug and gasket correctly fitted *
Electrical Connection	to EN 175301 - 803 - A (ex DIN 43650)
Coil Insulation Class	155 (F) to UL429 and to EN 60730-1
Power Rating (  Coils)	AC 15 VA (holding) AC 30 VA (inrush) DC 10 W

### Features and Benefits

- Pilot operated with linked diaphragm
- Robust construction for industrial applications
- Zero pressure rated
- Stainless steel AISI 430F operators with low residual magnetism
- Choice of high quality seal materials
- Speed control screw as standard for type D293 and C D293
- Response time 50 to 500 ms



Pipe Size	Cv (gpm)	Kv (m³/h)	OPD psi (bar)		Orifice inches (mm)	Seal Material	Valve Code
			AC Voltages	DC Voltages			
1/4	3.51	3.00	0 - 232 (0 - 16)	-	19/32 (15)	NBR FKM EPDM	D187DBWN D187DVWN D187DEWN
3/8	4.21	3.60			19/32 (15)	NBR FKM EPDM	D188DBWN D188DVWN D188DEWN
1/2	4.56	3.90			19/32 (15)	NBR FKM EPDM	D189DBWN D189DVWN D189DEWN
3/4	5.62	4.80			19/32 (15)	NBR FKM EPDM	D190DBWN D190DVWN D190DEWN
1 compact	5.97	5.10			19/32 (15)	NBR FKM EPDM	D192DBWN D192DVWN D192DEWN
1	9.83	8.40			63/64 (25)	NBR FKM EPDM	D293DBYN D293DVYN D293DEYN
1/4	3.51	3.00	-	0 - 7* (0 - 0.5)	19/32 (15)	NBR FKM EPDM	C D187DBWN* C D187DVWN* C D187DEWN*
3/8	4.21	3.60			19/32 (15)	NBR FKM EPDM	C D188DBWN* C D188DVWN* C D188DEWN*
1/2	4.56	3.90			19/32 (15)	NBR FKM EPDM	C D189DBWN* C D189DVWN* C D189DEWN*
3/4	5.62	4.80			19/32 (15)	NBR FKM EPDM	C D190DBWN* C D190DVWN* C D190DEWN*
1 compact	5.97	5.10			19/32 (15)	NBR FKM EPDM	C D192DBWN* C D192DVWN* C D192DEWN*

\* Only with CE coils: pressure rating 0-6 bar.

### Options Available

Valve Options (see coding chart)
G parallel thread (ISO 228-1)
Electroless nickel plating
CE coils, power DC 14W - AC 18 VA

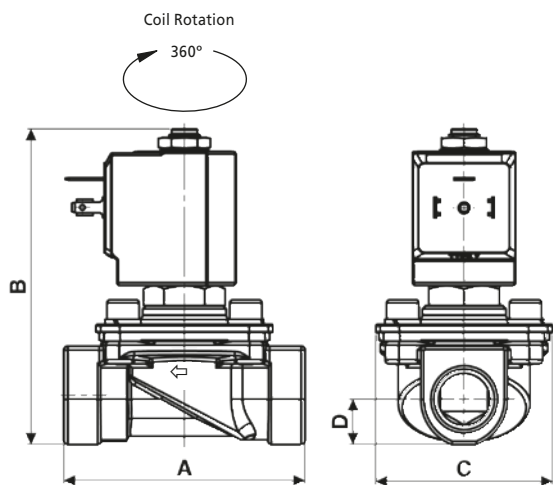
Vacuum Version
See separate datasheet

Seal Material <sup>1</sup> and Media Temperature Range	Media	Ambient Temperature Range	
		Min	Max
NBR 14 °F to 194 °F (-10 °C to +90 °C)	Water, oil, air	14 °F (-10 °C)	122 °F (+50 °C)
FKM 14 °F to 266 °F (-10 °C to +130 °C)	Water, oil, air	14 °F (-10 °C)	122 °F (+50 °C)
EPDM 14 °F to 248 °F (-10 °C to +120 °C)	Water, hot water	14 °F (-10 °C)	122 °F (+50 °C)

<sup>1</sup> See corrosion reference guide and sealing solutions for material compatibility.

# D187/188/189/190/192/293 - C D187/188/189/190/192/293 Series (USA)

General Purpose – 2/2 Normally Closed



Preferred Valve Mounting Options



Pipe Size	A	B	C	D	Weight Lb (kg)
1/4 - 1/2	2.95 (75)	4.25 (108)	2.17 (55)	0.55 (14)	1.10 (0.5)
3/4 - 1 compact	3.35 (85)	4.25 (108)	2.17 (55)	0.85 (21.5)	1.76 (0.8)
1	3.94 (100)	4.45 (113)	2.76 (70)	0.85 (21.5)	2.65 (1.2)

Dimensions inches (mm)

## Solenoid enclosures

### 7--R c/us Type Coil - Insulation class F

Encapsulation material: PET 815ER Rynite®

Electrical connection: DIN EN 175301-803 form A

Winding insulation: Class H (P180)

Enclosure classification: Conforms to NEMA type 4 (UL 50) and IP65 (according to EN 60529) with plug and gasket correctly fitted\*

UL approved, file No: E193928



### Type 600 011- Plug

Rated Voltage (max.): 250 VAC / 300 VDC

Nominal Current: 10A (rated) / 16A (max)

Wire cross-section: 0.0023 inch<sup>2</sup> max (1.5 mm<sup>2</sup> max)

Cable Entry: PG9 (0.24 to 0.31 inch / 6 to 8 mm)

Enclosure classification: Conforms to IP65 (according to EN 60529) with supplied gasket

Insulation class: group C- VDE 0110

Housing colour: black

UL approved, file No: E205538



\* Plug and gasket not supplied as standard, must be ordered separately.

## Coding chart

### Main Valve Assembly

Valve Type	Pipe Size
D AC version	187 1/4
DC version	188 3/8
	189 1/2
	190 3/4
	192 1 compact
	293 1

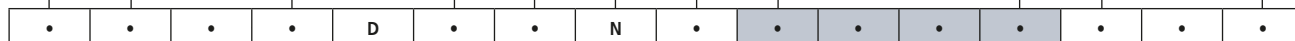
Seals	Orifice <sup>1</sup>	Thread Pipe	Option
B NBR	W 19/32	N NPT	K Electroless nickel plating
V FKM	Y 63/64	GAS	w/o option
E EPDM			

### Coil options

Voltage / Frequency - c/us Type, Class F	
725R	24 VDC
720R	24 V / 50 Hz
740R	110 V / 50 Hz - 120 V / 60 Hz
770R	230 V / 50 Hz - 240 V / 60 Hz
Voltage / Frequency - CE Type, Class F	
7250	24 VDC
7200	24 V / 50/60 Hz
7400	110 V / 50 Hz - 120 V / 60 Hz
7600	200 V / 50 Hz - 220 V / 60 Hz
7700	230 V / 50 Hz - 240 V / 60 Hz

### Plug

Plug
w/o plug
0A1 c/w plug



<sup>1</sup> DN 63/64 for D293 and C D293 only.

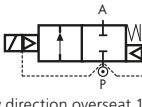
## Product coding example:

D188DBWN 720R

3/8 NPT, auto operation, brass body, NBR seals, 19/32 orifice, 24 V / 50 Hz, without plug.

# B203/204/205/206/222 Series

## General Purpose – 2/2 Normally Closed

Specifications	
Function (single acting)	 <p>Flow direction overseat 1 → 2</p>
Maximum Viscosity	Max. 21cST (3 °E)
Body Material (Std)	Brass CW617N (EN 12165)
Flange	Stainless Steel 1.4305 EN 10088 (AISI 303)
Tube	Stainless Steel AISI 304
Plunger and Top Stop	Stainless Steel 1.4105 EN 10088 (AISI 430F) or equivalent
Springs	Stainless Steel AISI 302
Seal Material (Std)	NBR
Connection Type (Std)	G parallel thread (ISO 228-1)
Shading Ring	Copper
Electrical Characteristics	
Standard Coil Voltage DC (=)	24 V
Standard Coil Voltage AC 50 Hz (-)	24 V, 110 V, 200 V, 230 V
Standard Coil Voltage AC 60 Hz (-)	24 V, 120 V, 220 V, 240 V
Voltage Tolerance	+10% to -15% (AC)
	+10% to -5% (DC)
Duty Cycle	100% ED
Protection Class	IP65 (EN 60529) with plug and gasket correctly fitted *
Electrical Connection	to industrial form B
Coil Insulation	Class F 155 °C
Power Rating (Standard)	AC 10 VA (holding) AC 16 VA (inrush) DC 7 W

### Features and Benefits

- Pilot operated
- Robust construction for industrial applications
- Stainless steel AISI 430F operators with low residual magnetism
- Manufactured in compliance to RoHS directive and to relevant international standards
- Choice of high quality seal materials
- Response time 50 to 500 ms



Pipe Size	Cv (gpm)	Kv (m³/h)	OPD (bar)		Orifice (mm)	Seal Material	Valve Code
			AC Voltages	DC Voltages			
¼"	1.83	1.56	0.3 - 16	0.3 - 16	13	NBR	B203DBZ
						FKM	B203DVZ
						EPDM	B203DEZ
⅜"	3.86	3.30			21	NBR	B204DBZ
						FKM	B204DVZ
						EPDM	B204DEZ
½"	4.42	3.78	25	NBR	B205DBZ		
				FKM	B205DVZ		
				EPDM	B205DEZ		
¾" compact	7.02	6.00	25	NBR	B206DBX		
				FKM	B206DVX		
				EPDM	B206DEX		
¾"	9.83	8.40	25	FNBR	B206DBY <sup>1</sup>		
				FKM	B206DYY <sup>1</sup>		
				EPDM	B206DEY <sup>1</sup>		
1"	11.23	9.60	25	NBR	B222DBY		
				FKM	B222DYY		
				EPDM	B222DEY		

<sup>1</sup> Non standard, MOQ required.

### Options Available

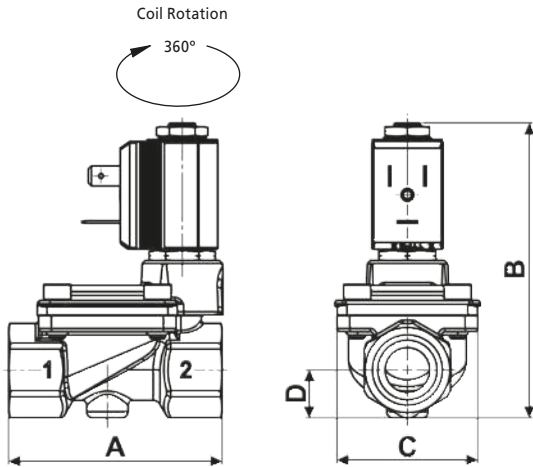
Valve Options (see coding chart)
NPT threads (minimum batch may be required)
Manual override
Electroless nickel plating treatment
Speed control screw (on DN25 only)

Seal Material <sup>1</sup> and Media Temperature Range	Media	Ambient Temperature Range	
		Min	Max
NBR (-10 °C to +90 °C)	Water, oil, air	-10 °C	+50 °C
FKM (-10 °C to +130 °C)	Water, oil, air	-10 °C	+50 °C
EPDM (-10 °C to +120 °C)	Water, hot water	-10 °C	+50 °C

<sup>1</sup> See corrosion reference guide and sealing solutions for material compatibility.

# B203/204/205/206/222 Series

## General Purpose – 2/2 Normally Closed



Preferred Valve Mounting Options



Pipe Size	A	B	C	D	Weight (kg)
1/4" - 3/8" - 1/2"	67	90	45.6	15	0.4
3/4" compact	82	105	51.6	20.25	0.6
3/4" to 1"	96	115	72	23	1.2

Dimensions (mm)

### Solenoid enclosures

#### 2--0 Type Coil - Insulation class F

- External material: PBT (reinforced fibreglass 30%)
- Electrical connection: Industrial form B
- Winding insulation: Class H (E180)
- Enclosure classification: Conforms to IP65 (according to EN 60529) with plug and gasket correctly fitted\*



#### Type 600 001- Plug

- Rated Voltage (max.): 250 VAC / 300 VDC
- Nominal Current: 10A (rated) / 16A (max)
- Wire cross-section: 1.5 mm<sup>2</sup> max
- Cable Entry: PG9 (6 to 8 mm)
- Enclosure classification: Conforms to IP65 (according to EN 60529) with supplied gasket
- Insulation class: group C- VDE 0110
- Housing colour: black
- UL approved, file No: E205538



\* Plug and gasket not supplied as standard, must be ordered separately.

### Coding chart

#### Main Valve Assembly

Pipe Size	
03	1/4"
04	3/8"
05	1/2"
06	3/4" (compact)
06	3/4" 1
22	1"

Seals		Orifice <sup>2</sup>	
B	NBR	Z	13
V	FKM	X	21
E	EPDM	Y	25

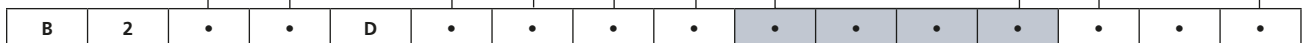
Option	
N	NPT
M	Manual Override
K	Electroless nickel plating
V	Speed control screw <sup>3</sup>
	w/o option

#### Coil options

Voltage / Frequency - Class F	
2250	24 VDC
2200	24 V / 50/60 Hz
2400	110 V / 50 Hz - 120 V / 60 Hz
2600	200 V / 50 Hz - 220 V / 60 Hz
2700	230 V / 50 Hz - 240 V / 60 Hz

#### Plug

Plug	
	w/o plug
0B1	c/w plug



<sup>1</sup> Non standard, MOQ required.

<sup>2</sup> DN13 only for B203/204/205, DN21 only for B206 compact, DN25 only for B206 and B222.

<sup>3</sup> Speed control screw available on B206D-Y and B222D-Y.

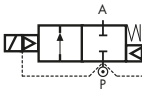




### Product coding example:

B203DBZ 2250  
1/4" G, auto operation, brass body, NBR seals, 13 mm orifice, 24 VDC, without plug.



# B203/204/205/206/222 Series (USA)

## General Purpose – 2/2 Normally Closed

Specifications	
Function (single acting)	 Flow direction overseat 1 → 2
Maximum Viscosity	Max. 21cST (3 °E)
Body Material (Std)	Brass C37700 (UNS Designation)
Flange	Stainless Steel AISI 303 (1.4305 EN 10088)
Tube	Stainless Steel AISI 304
Plunger and Top Stop	Stainless Steel AISI 430F or equivalent
Springs	Stainless Steel AISI 302
Seal Material (Std)	NBR
Connection Type	NPT
Shading Ring	Copper
Electrical Characteristics	
 Coil Voltage DC (=)	24 V
 Coil Voltage AC 50 Hz (-)	24 V, 110 V, 230 V
 Coil Voltage AC 60 Hz (-)	120 V, 240 V
Voltage Tolerance	+10% to -15% (AC)
	+10% to -5% (DC)
Duty Cycle	100% ED
Enclosure Classification	NEMA type 4 (UL 50) and IP65 (EN 60529) with plug and gasket correctly fitted *
Electrical Connection	to industrial form B
Coil Insulation Class	155 (F) to UL429 and to EN 60730-1
Power Rating  Coils	AC 9 VA (holding) AC 14 VA (inrush) DC 6W

### Features and Benefits

- Pilot operated
- Robust construction for industrial applications
- Stainless steel AISI 430F operators with low residual magnetism
- Choice of high quality seal materials
- Response time 50 to 500 ms



Pipe Size	Cv (gpm)	Kv (m³/h)	OPD psi (bar)		Orifice inches (mm)	Seal Material	Valve Code
			AC Voltages	DC Voltages			
1/4	1.83	1.56	4 - 232 (0.3 - 16)	4 - 232 (0.3 - 16)	33/64 (13)	NBR	B203D <u>B</u> ZN
3/8	3.86	3.30				FKM	B203D <u>V</u> ZN
						EPDM	B203D <u>E</u> ZN
1/2	4.42	3.78			NBR	B204D <u>B</u> ZN	
					FKM	B204D <u>V</u> ZN	
3/4 compact	7.02	6.00			EPDM	B204D <u>E</u> ZN	
			NBR	B205D <u>B</u> ZN			
3/4	9.83	8.40	53/64 (21)	63/64 (25)	FKM	B205D <u>V</u> ZN	
					EPDM	B205D <u>E</u> ZN	
1	11.23	9.60			NBR	B206D <u>B</u> XN	
					FKM	B206D <u>V</u> XN	
1	11.23	9.60			EPDM	B206D <u>E</u> XN	
					NBR	B206D <u>B</u> YN	
1	11.23	9.60	FKM	B206D <u>V</u> YN			
			EPDM	B206D <u>E</u> YN			

### Options Available

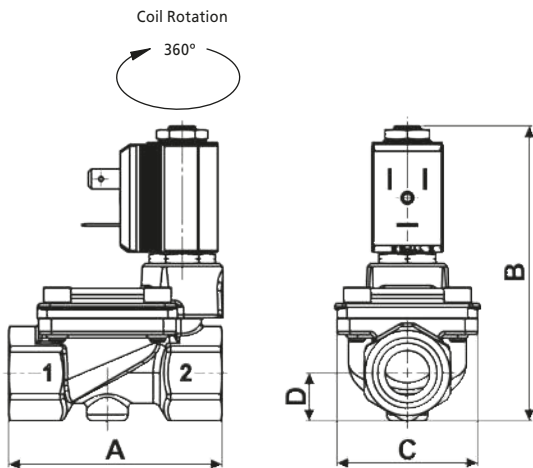
Valve Options (see coding chart)
G parallel thread (ISO 228-1)
Manual override
Electroless nickel plating treatment
Speed control screw (on DN25 only)
CE coils, power DC 7W - AC 10 VA

Seal Material <sup>1</sup> and Media Temperature Range	Media	Ambient Temperature Range	
		Min	Max
NBR 14 °F to 194 °F (-10 °C to +90 °C)	Water, oil, air	14 °F (-10 °C)	122 °F (+50 °C)
FKM 14 °F to 266 °F (-10 °C to +130 °C)	Water, oil, air	14 °F (-10 °C)	122 °F (+50 °C)
EPDM 14 °F to 248 °F (-10 °C to +120 °C)	Water, hot water	14 °F (-10 °C)	122 °F (+50 °C)

<sup>1</sup> See corrosion reference guide and sealing solutions for material compatibility.

# B203/204/205/206/222 Series (USA)

General Purpose – 2/2 Normally Closed



Preferred Valve Mounting Options



Pipe Size	A	B	C	D	Weight Lb (kg)
1/4 - 3/8 - 1/2	2.64 (67)	3.54 (90)	1.80 (45.6)	0.59 (15)	0.88 (0.4)
3/4 compact	3.23 (82)	4.13 (105)	2.03 (51.6)	0.80 (20.25)	1.32 (0.6)
3/4 to 1	3.78 (96)	4.53 (115)	2.83 (72)	0.91 (23)	2.65 (1.2)

Dimensions inches (mm)

## Solenoid enclosures

### 2--R c/us Type Coil - Insulation class F

External material: PET 815ER Rynite®  
 Electrical connection: Industrial form B  
 Winding insulation: Class H (P180)  
 Enclosure classification: Conforms to NEMA type 4 (UL 50) and IP65 (according to EN 60529) with plug and gasket correctly fitted\*  
 UL approved, file No: E193928



### Type 600 001- Plug

Rated Voltage (max.): 250 VAC / 300 VDC  
 Nominal Current: 10A (rated) / 16A (max)  
 Wire cross-section: 0.0023 inch<sup>2</sup> max (1.5 mm<sup>2</sup> max)  
 Cable Entry: PG9 (0.24 to 0.31 inch / 6 to 8 mm)  
 Enclosure classification: Conforms to IP65 (according to EN 60529) with supplied gasket  
 Insulation class: group C- VDE 0110  
 Housing colour: black  
 UL approved, file No: E205538



\* Plug and gasket not supplied as standard, must be ordered separately.

## Coding chart

### Main Valve Assembly

Pipe Size	
03	1/4
04	3/8
05	1/2
06	3/4 (compact)
06	3/4
22	1

Seals	Orifice <sup>1</sup>
B NBR	Z 33/64
V FKM	X 53/64
E EPDM	Y 63/64

Thread Pipe	Option
N NPT	M Manual Override
GAS	K Electroless nickel plating
	V Speed control screw <sup>2</sup>
	w/o option

### Coil options

Voltage / Frequency - c/us Type, Class F	
225R	24 VDC
220R	24 V / 50 Hz
240R	110 V / 50 Hz - 120 V / 60 Hz
270R	230 V / 50 Hz - 240 V / 60 Hz

Voltage / Frequency - CE Type, Class F	
2250	24 VDC
2200	24 V / 50/60 Hz
2400	110 V / 50 Hz - 120 V / 60 Hz
2600	200 V / 50 Hz - 220 V / 60 Hz
2700	230 V / 50 Hz - 240 V / 60 Hz

### Plug

Plug
w/o plug
0B1 c/w plug



<sup>1</sup> DN 33/64 only for B203/204/205, DN 53/64 only for B206 compact, DN 63/64 only for B206 and B222.

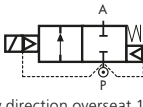
<sup>2</sup> Speed control screw available on B206D-YN and B222D-YN.

### Product coding example:

B203DBZN 225R  
 1/4 NPT, auto operation, brass body, NBR seals, 33/64 orifice, 24 VDC, without plug.

# D223/224/225 Series

## General Purpose – 2/2 Normally Closed

Specifications	
Function (single acting)	 <p>Flow direction overseat 1 → 2</p>
Maximum Viscosity	Max. 21cST (3 °E)
Body Material (Std)	Brass CW617N (EN 12165)
Flange	Stainless Steel 1.4305 EN 10088 (AISI 303)
Tube	Stainless Steel AISI 304
Plunger	Stainless Steel 1.4106 EN 10088 (AISI 430F)
Top Stop	Stainless Steel 1.4105 EN 10088 (AISI 430F)
Springs	Stainless Steel AISI 302
Seal Material (Std)	NBR
Connection Type (Std)	G parallel thread (ISO 228-1)
Shading Ring	Copper
Electrical Characteristics	
Standard Coil Voltage DC (=)	24 V
Standard Coil Voltage AC 50 Hz (-)	24 V, 110 V, 200 V, 230 V
Standard Coil Voltage AC 60 Hz (-)	24 V, 120 V, 220 V, 240 V
Voltage Tolerance	+10% to -15% (AC)
	+10% to -5% (DC)
Duty Cycle	100% ED
Protection Class	IP65 (EN 60529) with plug and gasket correctly fitted *
Electrical Connection	to EN 175301 - 803 - A (ex DIN 43650)
Coil Insulation	Class F 155 °C
Power Rating (Standard)	AC 18 VA (holding) AC 36 VA (inrush) DC 14 W

### Features and Benefits

- Pilot operated
- Robust construction for industrial applications
- Stainless steel AISI 430F operators with low residual magnetism
- Manufactured in compliance to RoHS directive and to relevant international standards
- Choice of high quality seal materials
- Speed control screw as standard
- Response time 50 to 500 ms



Pipe Size	Cv (gpm)	Kv (m³/h)	OPD (bar)		Orifice (mm)	Seal Material	Valve Code
			AC Voltages	DC Voltages			
1 ¼"	25.97	22.20	0.5 - 16	0.5 - 16	40	NBR FKM EPDM	D223DBK D223DVK D223DEK
1 ½"	28.08	24.00			40	NBR FKM EPDM	D224DBK D224DVK D224DEK
2"	37.91	32.40			50	NBR FKM EPDM	D225DBJ D225DVJ D225DEJ

### Options Available

Valve Options (see coding chart)
NPT threads (minimum batch may be required)
Manual override
Electroless nickel plating

Vacuum Version
See Page 246

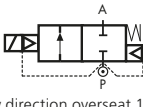
Seal Material <sup>1</sup> and Media Temperature Range	Media	Ambient Temperature Range	
		Min	Max
NBR (-10 °C to +90 °C)	Water, oil, air	-10 °C	+50 °C
FKM (-10 °C to +130 °C)	Water, oil, air	-10 °C	+50 °C
EPDM (-10 °C to +120 °C)	Water, hot water	-10 °C	+50 °C

<sup>1</sup> See corrosion reference guide and sealing solutions for material compatibility.



# D223/224/225 Series (USA)

## General Purpose – 2/2 Normally Closed

Specifications	
Function (single acting)	 <p>Flow direction overseat 1 → 2</p>
Maximum Viscosity	Max. 21cST (3 °E)
Body Material (Std)	Brass C37700 (UNS Designation)
Flange	Stainless Steel AISI 303 (1.4305 EN 10088)
Tube	Stainless Steel AISI 304
Plunger	Stainless Steel AISI 430F (1.4106 EN 10088)
Top Stop	Stainless Steel AISI 430F (1.4105 EN 10088)
Springs	Stainless Steel AISI 302
Seal Material (Std)	NBR
Connection Type	NPT
Shading Ring	Copper
Electrical Characteristics	
Coil Voltage DC (=)	24 V
Coil Voltage AC 50 Hz (-)	24 V, 110 V, 230 V
Coil Voltage AC 60 Hz (-)	120 V, 240 V
Voltage Tolerance	+10% to -15% (AC)
	+10% to -5% (DC)
Duty Cycle	100% ED
Enclosure Classification	NEMA type 4 (UL 50) and IP65 (EN 60529) with plug and gasket correctly fitted *
Electrical Connection	to EN 175301 - 803 - A (ex DIN 43650)
Coil Insulation Class	155 (F) to UL429 and to EN 60730-1
Power Rating (cULus Coils)	AC 15 VA (holding) AC 30 VA (inrush) DC 10 W

### Features and Benefits

- Pilot operated
- Robust construction for industrial application
- Stainless steel AISI 430F operators with low residual magnetism
- Choice of high quality seal materials
- Speed control screw as standard
- Response time 50 to 500 ms



Pipe Size	Cv (gpm)	Kv (m³/h)	OPD psi (bar)		Orifice inches (mm)	Seal Material	Valve Code
			AC Voltages	DC Voltages			
1 ¼	25.97	22.20	7 - 232 (0.5 - 16)	7 - 232 (0.5 - 16)	1 37/64 (40)	NBR	D223DBKN
						FKM	D223DVKN
1 ½	28.08	24.00	7 - 232 (0.5 - 16)	7 - 232 (0.5 - 16)	1 37/64 (40)	NBR	D224DBKN
						FKM	D224DVKN
2	37.91	32.40	7 - 232 (0.5 - 16)	7 - 232 (0.5 - 16)	2 (50)	NBR	D225DBJN
						FKM	D225DVJN
						EPDM	D225DEJN

### Options Available

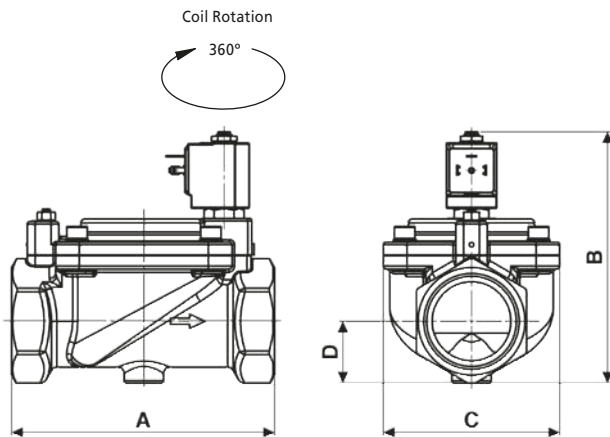
Valve Options (see coding chart)
G parallel thread (ISO 228-1)
Electroless nickel plating
CE coils, power DC 14W - AC 18 VA
Vacuum Version
See separate datasheet

Seal Material <sup>1</sup> and Media Temperature Range	Media	Ambient Temperature Range	
		Min	Max
NBR 14 °F to 194 °F (-10 °C to +90 °C)	Water, oil, air	14 °F (-10 °C)	122 °F (+50 °C)
FKM 14 °F to 266 °F (-10 °C to +130 °C)	Water, oil, air	14 °F (-10 °C)	122 °F (+50 °C)
EPDM 14 °F to 248 °F (-10 °C to +120 °C)	Water, hot water	14 °F (-10 °C)	122 °F (+50 °C)

<sup>1</sup> See corrosion reference guide and sealing solutions for material compatibility.

# D223/224/225 Series (USA)

## General Purpose – 2/2 Normally Closed



Preferred Valve Mounting Options



Pipe Size	A	B	C	D	Weight Lb (kg)
1 ¼ - 1 ½	5.51 (140)	5.51 (140)	3.78 (96)	1.24 (31.5)	6.17 (2.8)
2	6.57 (167)	6.22 (158)	4.41 (112)	1.54 (39)	8.60 (3.9)

Dimensions inches (mm)

### Solenoid enclosures

#### 7--R cULus Type Coil - Insulation class F

Encapsulation material: PET 815ER Rynite®  
 Electrical connection: DIN EN 175301-803 form A  
 Winding insulation: Class H (P180)  
 Enclosure classification: Conforms to NEMA type 4 (UL 50) and IP65 (according to EN 60529) with plug and gasket correctly fitted\*  
 UL approved, file No: E193928



#### Type 600 011- Plug

Rated Voltage (max.): 250 VAC / 300 VDC  
 Nominal Current: 10A (rated) / 16A (max)  
 Wire cross-section: 0.0023 inch² max (1.5 mm² max)  
 Cable Entry: PG9 (0.24 to 0.31 inch / 6 to 8 mm)  
 Enclosure classification: Conforms to IP65 (according to EN 60529) with supplied gasket  
 Insulation class: group C- VDE 0110  
 Housing colour: black  
 UL approved, file No: E205538



\* Plug and gasket not supplied as standard, must be ordered separately.

### Coding chart

#### Main Valve Assembly

Pipe Size	
23	1 ¼
24	1 ½
25	2

Seals		Orifice <sup>1</sup>	
B	NBR	K	1 37/64
V	FKM	J	2
E	EPDM		

Thread Pipe	Option
N NPT	K Electroless nickel plating
GAS	w/o option

#### Coil options

Voltage / Frequency - cULus Type, Class F	
725R	24 VDC
720R	24 V / 50 Hz
740R	110 V / 50 Hz - 120 V / 60 Hz
770R	230 V / 50 Hz - 240 V / 60 Hz

Voltage / Frequency - CE Type, Class F	
7250	24 VDC
7200	24 V / 50/60 Hz
7400	110 V / 50 Hz - 120 V / 60 Hz
7600	200 V / 50 Hz - 220 V / 60 Hz
7700	230 V / 50 Hz - 240 V / 60 Hz

#### Plug

Plug	
	w/o plug
0A1	c/w plug



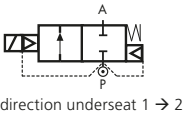
<sup>1</sup> DN 1 37/64 only for D223 and D224, DN 2 only for D225.

### Product coding example:

D223DBKN 725R  
 1 ¼ NPT, auto operation, brass body, NBR seals, 40 mm orifice, 24 VDC, without plug.

# RSV01 Series

## General Purpose – 2/2 Normally Closed

Specifications	
Function (single acting)	 Flow direction underseat 1 → 2
Maximum Viscosity	Max. 21cST (3 °E)
Body Material (Std)	Brass CW617N (EN 12165)
Tube Flange	Stainless Steel 1.4305 EN 10088 (AISI 303)
Tube	Stainless Steel AISI 304
Plunger	Stainless Steel 1.4106 EN 10088 (AISI 430F)
Top Stop	Stainless Steel 1.4105 EN 10088 (AISI 430F)
Springs	Stainless Steel AISI 302
Seal Material (Std)	NBR
Connection Type (Std)	G parallel thread (ISO 228-1)
Shading Ring	Copper
Electrical Characteristics	
Standard Coil Voltage DC (=)	12 V , 24 V
Standard Coil Voltage AC 50 Hz (-)	24 V, 110 V, 200 V, 230 V
Standard Coil Voltage AC 60 Hz (-)	24 V, 120 V, 220 V, 240 V
Voltage Tolerance	+10% to -15% (AC)
	+10% to -5% (DC)
Duty Cycle	100% ED
Protection Class	IP65 (EN 60529) with plug and gasket correctly fitted *
Electrical Connection	to EN 175301 - 803 - A (ex DIN 43650)
Standard Coil Insulation	Class F 155 °C
High Power Coil Insulation	Class H 180 °C
Power Rating (Standard)	AC 18 VA (holding) AC 36 VA (inrush) DC 14 W
Power Rating <sup>1</sup> (High Power)	DC 22 W

<sup>1</sup> Only for 72Z1 coil.

### Options Available

Main Valve Body Options (see coding chart)
Stainless Steel body (AISI 316L)
NPT threads (minimum batch may be required)

Seal Material <sup>3</sup> and Media Temperature Range	Media	Amb. Temp. Range	
		Min	Max
NBR (-10 to +90 °C)	Water, oil, air	-10 °C	+50 °C
FKM (-10 to +130 °C)	Water, oil, air	-10 °C	+50 °C
EPDM (WRAS approved up to 1*) -10 to +85 °C	Water, hot water	-10 °C	+50 °C
EPDM (-10 to +120 °C)	Water, hot water	-10 °C	+50 °C

<sup>3</sup> See corrosion reference guide and sealing solutions for material compatibility.

### Features and Benefits

- Two way shut-off valves for the control of gaseous and liquid media compatible with max viscosity and materials
- Robust construction for industrial applications
- Zero pressure rated
- AC and DC versions
- Diaphragm operation
- Fully ported orifices for high flow
- Suitable for vacuum up to -950 mbar
- Response time 50 to 500 mS
- Tested in accordance with EN 12266-1
- Meets all relevant EC directives (LVD, PED, Art. 4.3)
- WRAS approved configuration for drinking water (see coding chart)



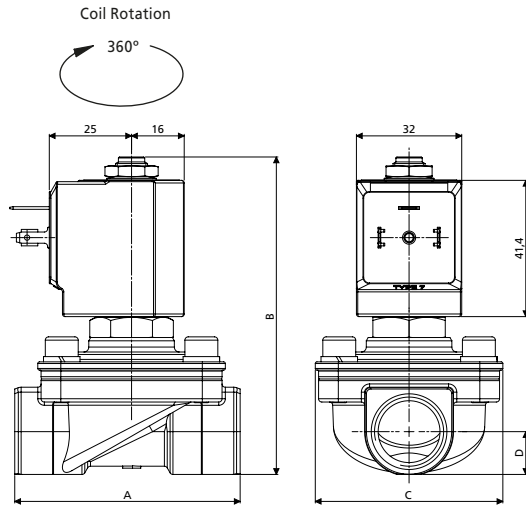
Pipe Size	Cv (gpm)	Kv (m <sup>3</sup> /h)	OPD (bar)		Orifice (mm)	Seal Material	Valve Code
			AC Voltages	DC Voltages			
1/4"	1.8	1.5	0 - 16	-	16	NBR	RSV01BG20A0WB-
						FKM	RSV01BG20A0WV-
						EPDM <sup>2</sup>	RSV01BG20A0WE-
3/8"	3.9	3.3			20	NBR	RSV01CG20A0WB-
						FKM	RSV01CG20A0WV-
						EPDM <sup>2</sup>	RSV01CG20A0WE-
1/2"	4.9	4.2	20	NBR	RSV01DG20A0WB-		
				FKM	RSV01DG20A0WV-		
				EPDM <sup>2</sup>	RSV01DG20A0WE-		
3/4"	6.3	5.4	20	NBR	RSV01EG20A0XB-		
				FKM	RSV01EG20A0XV-		
				EPDM <sup>2</sup>	RSV01EG20A0XE-		
1"	8.7	7.4	20	NBR	RSV01FG20A0XB-		
				FKM	RSV01FG20A0XV-		
				EPDM <sup>2</sup>	RSV01FG20A0XE-		
1/4"	1.8	1.5	-	0 - 12 <sup>1</sup>	16	NBR	RSV01BG20C0WB-
						FKM	RSV01BG20C0WV-
						EPDM <sup>2</sup>	RSV01BG20C0WE-
3/8"	3.9	3.3			16	NBR	RSV01CG20C0WB-
						FKM	RSV01CG20C0WV-
						EPDM <sup>2</sup>	RSV01CG20C0WE-
1/2"	4.9	4.2	16	NBR	RSV01DG20C0WB-		
				FKM	RSV01DG20C0WV-		
				EPDM <sup>2</sup>	RSV01DG20C0WE-		
3/4"	6.3	5.4	20	0 - 9 <sup>1</sup>	NBR	RSV01EG20C0XB-	
					FKM	RSV01EG20C0XV-	
					EPDM <sup>2</sup>	RSV01EG20C0XE-	
1"	8.7	7.4	20	NBR	RSV01FG20C0XB-		
				FKM	RSV01FG20C0XV-		
				EPDM <sup>2</sup>	RSV01FG20C0XE-		

<sup>1</sup> 0-14 bar with 72Z1 coil (22W).

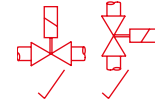
<sup>2</sup> EPDM with WRAS approval can be ordered replacing the seal material ref 'E' in the coding with 'Y', example p/n RSV01FG20A0XY.

# RSV01 Series

## General Purpose – 2/2 Normally Closed



### Preferred Valve Mounting Options



Pipe Size	A	B	C	D	Weight (kg)
1/4"	68.5	96.5	57	13	0.5
3/8"	68.5	96.5	57	13	0.5
1/2"	68.5	96.5	57	13	0.5
3/4"	81.5	110.5	57	20	0.8
1"	81.5	110.5	57	20	0.7

Dimensions (mm)

### Solenoid enclosures

#### 7--0 Type Coil - Insulation class F

External material: PBT (reinforced fibreglass 30%)  
 Electrical connection: DIN EN 175301-803 form A  
 Winding insulation: Class F (E155)  
 Enclosure classification: Conforms to IP65 (according to EN 60529) with plug and gasket correctly fitted\*



#### 72Z1 Type Coil - Insulation class H

External material: PPS (fibreglass and mineral filled)  
 Electrical connection: DIN EN 175301-803 form A  
 Winding insulation: Class H (E180)  
 Enclosure classification: Conforms to IP65 (according to EN 60529) with plug and gasket correctly fitted\*

\* Plug and gasket not supplied as standard, must be ordered separately.

#### Type 600 011- Plug

Rated Voltage (max.): 250 VAC / 300 VDC  
 Nominal current: 10A (rated) / 16A (max)  
 Wire cross-section: 1.5 mm<sup>2</sup> max  
 Cable entry: PG9 (6 to 8 mm)  
 Enclosure classification: Conforms to IP65 (according to EN 60529) with supplied gasket  
 Insulation class: Group C - VDE 0110  
 Housing colour: Black  
 UL approved, file No: E205538



### Coding chart

Main valve assembly										Coil options																	
Size	Process Connection		Function	Operation		Valve Material		Orifice	Seal Material		Valve Options	Material Options		Approvals		Voltage / Power Class F <sup>4</sup>		Electrical Connection									
B 1/4"	G	GAS ISO 228-1	20	2/2 Way	A	AC NC	0	Brass	W	16 <sup>2</sup>	B	NBR	0	None	K	Nickel Plating	0	CE	7	w/o coil	-	0	DIN, no plug fitted				
C 3/8"					C	DC NC	5	AISI 316L stainless	X	20 <sup>3</sup>	E	EPDM	W	WRAS	0	None	0	None	7700	230 V / 50 Hz 240 V / 60 Hz	18VA	A	DIN weatherproof IP65 / NEMA 4X with plug 600 011-				
D 1/2"	N	NPT	20	2/2 Way	C	DC NC	5	AISI 316L stainless	X	20 <sup>3</sup>	Y	EPDM (WRAS)	A	Silver Shading Ring	0	None	W	WRAS	7200	24 V / 50/60 Hz	18VA	7400	110 V / 50 Hz 120 V / 60 Hz	18VA			
E 3/4"																									7100	12V / 50/60 Hz	18VA
F 1"																											
																	7300	48 V / 50/60 Hz	18VA								
																	7250	24 VDC	14W								
																	7150	12 VDC	14W								
																	Class H, High Power										
																	72Z1	24 VDC	22W								
RSV01	.	.	20	.	.	.	.	.	.	0	.	.	.	.	.	.	.	.	.	.	.	.	.	.			

Notes: 1. See separate datasheet 2. 3/8" & 1/2" only 3. 3/4" & 1" only 4. For use with UL approved coils contact Sales Department

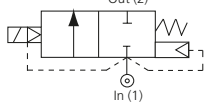
### Product coding example:

RSV01 C G 20 A 0 W B 0 K 0 7700 0 = 3/8" BSP G, 2/2, AC NC, brass body, 16 mm orifice, NBR seals, nickel plating, DIN coil, 230 V / 50 Hz, 240 V / 60Hz, without plug.



# ACD Series

## - 2/2 Normally Closed

Specifications	
Function	Normally Closed, energise to open 
Maximum Viscosity	115 SSU
3/8" - 1" Body Material (Std)	Brass CZ122
1 1/4" - 2" Body Material (Std)	Bronze
Flange Tube	Stainless Steel 303
Plunger and Top Stop	Stainless Steel 430FR
Springs	Stainless Steel 302
Seal Material (Std)	NBR
Connection Type (Std)	BS21
Shading Ring	Copper (std), Silver (stainless steel option)
Electrical Characteristics	
Coil Voltage DC (=)	12 V, 24 V, 110 V
Coil Voltage AC 50 Hz (-)	24 V, 110 V, 120 V, 230 V
Coil Voltage AC 60 Hz (-)	24 V, 110 V, 120 V, 220 V
Voltage Tolerance	+10% or -10%
Duty Cycle	100% ED
Protection Class (Std)	IP65 (BS EN 60529) (plug supplied as standard)
Electrical Connection (Std)	PG9 Din Connector DIN 43650/ISO 4400 (EN 175301-803) Form 'A'
Coil Insulation	Class H (BS EN 60085) 180 °C (E5 Type)
Power Rating	14.5 Watts, 19 VA

### Features and Benefits

- Two way shut-off valves for the control of gases and liquids compatible with max viscosity and materials
- Zero bar minimum operating pressure
- Satisfies all relevant EC directives
- Suitable for vacuum applications when fitted with FKM seals (10-3 TORR) 0 rated options only
- Robust Valve Design
- Diaphragm Operation
- Fully Ported Orifices for high flow
- Choice of valve body material and seals
- Response time 1" 15-60 ms
- Response time 2" 60-120 ms
- EN264 for fuel oils



Pipe Size	Cv (gpm)	Kv (m³/h)	OPD (Bar)		P. Max <sup>3</sup> Bar	Orifice (mm)	Weight (kg)
			AC Voltages	DC Voltages			
3/8"	3.5	3.0	0-14	0-10.3	50	16.00	0.90
1/2"	4.9	4.2	0-14	0-10.3		16.00	0.90
3/4"	5.4	4.7	0-14	0-10.3		16.00	0.90
1"	8.2	7.0	0-14	0-10.3		20.00	1.20
1 1/4"	26.7	23	0-4	-		40.00	3.00-3.20
1 1/2"	26.7	23	0-4	-		40.00	3.00-3.20
2"	30.16	26	0-4	-		40.00	3.00-3.20
1 1/4"²	26.7	23	0.3-10	0.3-10		40.00	3.00-3.20
1 1/2"²	26.7	23	0.3-10	0.3-10		40.00	3.00-3.20
2"²	30.2	26	0.3-10	0.3-10		40.00	3.00-3.20

<sup>2</sup> Pressure assisted to achieve a greater OPD. e.g. code :19G11Z1A1-1A21.

<sup>3</sup> P. Max is limited to 46.5 Bar when valve is fitted with an Exd solenoid operator, see separate datasheet.

### Options Available

Exd & Exm Solenoid Enclosure	
Protection Class	See separate datasheet
Exd T6 (IP67)	
Exd T4 (IP67)	
Exm T5 (IP65)	

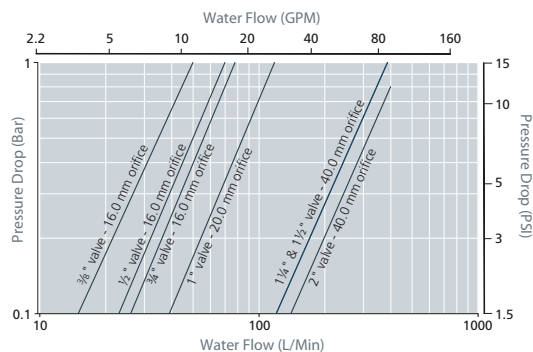
Seal Material <sup>1</sup> and Media Temp. Range	Ambient Temperature Range °C	
	Min	Max
NBR (-10 °C to +80 °C)	-10	50
EPDM (-50 °C to +120 °C)	-10	50
FKM (-20 °C to +150 °C)	-10	50

<sup>1</sup> See corrosion reference guide and sealing solutions for material compatibility.

### How to use the flow chart

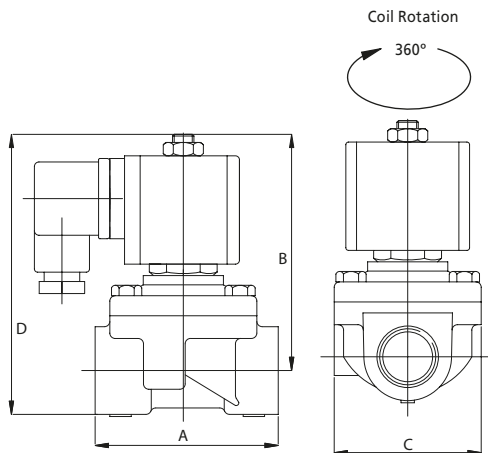
1. Select the required flow.
2. Note the corresponding pressure drop.
3. Based on where the two points intersect select the most appropriate model.

Main Valve Body Options
Stainless Steel 316 (available up to and including 1")
NPT threads
Flanged Option (PN16 Std) for alternative flange options consult Rotork Midland
Manual Override
Oxygen cleaning (consult Rotork Midland for product code)

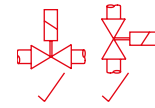


# ACD Series

- 2/2 Normally Closed



Preferred Valve Mounting Options



## Dimensions

Pipe Size	A	B	C	D
3/8" - 3/4"	69.5	88	55	104
1"	85	90	55	112
1 1/4" - 2"	137	103	120	152

## Stainless Steel Option

Pipe Size	A	B	C	D
3/8" - 1"	88	92	55	104
1 1/4" - 2"	137	114	120	155

Dimensions given in mm

## Solenoid enclosures

### E5 Type enclosure protection class IP65

- External material: Glass reinforced nylon
- Electrical connection: DIN Plug to ISO 4400
- Winding insulation: Class H
- Enclosure: Conforms to IP65 when correct plug gasket is fitted as supplied



## Coding chart

### Main Valve Assembly

Model	Valve Body Conn. Size	Connection Type	Operation
17 ACD AC VOLTAGE	C 3/8"	1 BS21	1 AUTO
18 ACD DC <sup>3</sup> VOLTAGE	D 1/2"	2 BSP G (1 1/4" and above)	2 MANUAL OVERRIDE
19 Pressure assisted option 1 1/4" to 2"	E 3/4"	3 NPT	
	F 1"	4 FLANGED (PN16 STD)	
	G 1 1/4"		
	H 1 1/2"		
	J 2"		

Body Material	Seals	Style
1 Brass (standard on valves up to and including 1")	A NBR B EPDM C FKM	1 Standard
2 Bronze (standard on valves above 1")		
5 316 Stainless Steel (option available up to and inc 1")		

### Coil options

Enclosure	Voltage / Frequency	Electrical Connection
1 Weather proof IP65	A1 230 V / 50 Hz	1 DIN plug 9 mm
	A2 110 V / 50 Hz & 120 V / 60 Hz	
	A3 24 V / 50 Hz	
	A7 220 V / 50 Hz	
	B2 24 VDC	
B3 12 VDC		
B5 110 VDC		

•	•	•	•	Z	•	•	1	-	1	••	1
---	---	---	---	---	---	---	---	---	---	----	---

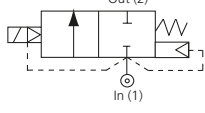
<sup>3</sup> '0' pressure rated options are not available in DC voltage above 1".

## Product coding example:

17G21Z2A1-1A11 - ACD Series  
1 1/4" BSPG, auto operation, bronze body, NBR seals, 230 V / 50 Hz DIN Plug 9 mm.

# UACD Series (USA)

- 2/2 Normally Closed

Specifications	
Mode of Operation	Normally Closed, energise to open 
Maximum Viscosity	115 SSU
3/8" - 1" Body Material (Std)	Brass (Std) or Stainless Steel option
1 1/4" - 2" Body Material (Std)	Bronze (Std)
Flange Tube	Stainless Steel
Plunger and top stop	Stainless Steel
Springs	Stainless Steel
Seal Material	Nitrile (BunaN) (Std) other options available
Connection Type	NPT
Shading Ring	Copper (std), Silver (stainless steel option)
Electrical Characteristics	
Coil Voltage DC (=)	12 V, 24 V
Coil Voltage AC 60 Hz (-)	24 V, 120 V
Voltage Tolerance	+10% or -10%
Duty Cycle	100% ED
Electrical Connection Options	1/2" NPT metal conduit hub with 18" leads (NEMA 2 equivalent protection class)
Coil Insulation	Class H
Power Rating	14.5 Watts

## Features and Benefits

- Two way shut-off valves for the control of gases and liquids compatible with max viscosity and materials
- Zero bar minimum operating pressure
- Satisfies all relevant EC directives
- Robust Valve Design
- Diaphragm Operation
- Fully Ported Orifices for high flow
- Choice of valve body material seals
- Sizes 3/8" - 3/4" approved to BS EN 60730 - 2 -8 for household use when used with EPDM seals
- Response time 1" 15-60 ms
- Response time 2" 60-120 ms
- Viton seals are suitable for the following media: Air, Water, Inert Gases & No.2 or Lighter Fuel Oils
- Nitrile, EPDM & PTFE seals are suitable for the following media: Air, Water & Inert Gases
- Tested in accordance with BS-EN 12266-1
- Suitable for vacuum applications when fitted with Viton seals (10-3 TORR) - 0 rated models only



## Options Available

Solenoid Enclosure	
Protection Class	
EExd T6 (NEMA 6 equivalent)	See separate datasheet
EExd T4 (NEMA 6 equivalent)	

Seal Material <sup>1</sup> and Media Temp. Range	Ambient Temperature Range	
	Min	Max
Nitrile (14 °F to +176 °F)	14 °F	122 °F
EPDM (-58 °F to +248 °F)	14 °F	122 °F
Viton (-4 °F to +302 °F)	14 °F	122 °F

<sup>1</sup> See corrosion reference guide and sealing solutions for material compatibility.

Port Size	Cv	Kv	OPD (psi)		P. Max <sup>3</sup> psi	Orifice (mm)	Weight (lbs)
			AC Voltages	DC Voltages			
3/8"	3.5	3.0	0-150	0-150	725	16.0	2
1/2"	4.9	4.2	0-150	0-150		16.0	2
3/4"	5.4	4.7	0-150	0-150		16.0	2
1"	8.2	7.0	0-150	0-150		20.0	4.0
1 1/4"	26.7	23	0-60	-		40.0	6.6
1 1/2"	26.7	23	0-60	-		40.0	6.6
2"	30.16	26	0-60	-		40.0	6.6
1 1/4" <sup>2</sup>	26.7	23	5-150	5-150		40.0	6.6
1 1/2" <sup>2</sup>	26.7	23	5-150	5-150		40.0	6.6
2" <sup>2</sup>	30.2	26	5-150	5-150		40.0	6.6

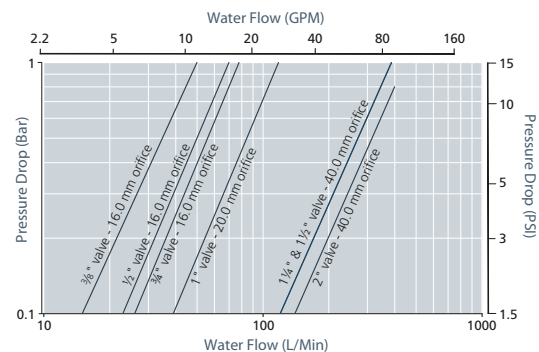
<sup>2</sup> Pressure assisted to achieve a greater OPD. e.g. code 19G31Z2A1-2F19A.

<sup>3</sup> P. Max is limited to 675 psi when valve is fitted with an Exd solenoid operator, see separate datasheet.

Main Valve Body Options
Stainless Steel 316 (up to and including 1")
Manual Override
Oxygen Cleaning (consult factory for product code)
Stainless Steel Tagging (consult factory for product code)

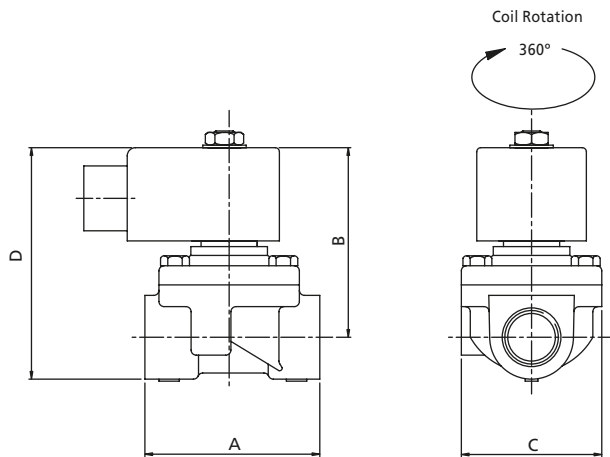
## How to use the flow chart

1. Select the required flow.
2. Note the corresponding pressure drop.
3. Based on where the two points intersect select the most appropriate model.

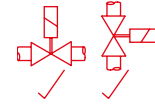


# UACD Series (USA)

- 2/2 Normally Closed



Preferred Valve Mounting Options



## Dimensions

Port size	A	B	C	D
3/8" - 3/4"	2 3/4"	3 7/16"	3"	4 3/8"
1"	3 3/8"	3 7/16"	3"	5 3/8"
1 1/4" - 2"	5 3/8"	4 5/8"	4 3/4"	5 7/8"

Dimensions given in inches  
Stainless steel option dimensions vary from table - consult factory.

## Solenoid enclosures

### S4 Type enclosure protection class IP50

External material: Pressed steel powder coated

Electrical entry: 1/2" NPT metal conduit hub with 18" leads  
(NEMA 2 equivalent protection class)

Winding Insulation: Class H



## Coding chart

### Main Valve Assembly

Model	Valve Body Conn. Size	Conn. Type	Operation	Orifice (mm)	Body Material	Seals	Style
17	C 3/8"	3 NPT	1 AUTO	Z Default	1 Brass (standard on valves up to and including 1")	A Nitrile	1 Standard
19	D 1/2"		2 MANUAL OVERRIDE			B EPDM	
	E 3/4"	316 Stainless Steel (option available up to and inc 1")	C VITON				
	F 1"						
	G 1 1/4"						
	H 1 1/2"						
J 2"							

### Coil options

Enclosure	Voltage / Frequency	Electrical Connection	Approval
2 S4 type enclosure -metal can (IP50) UL Approved <sup>4</sup>	H1 24 V / 60 Hz	9 1/2" NPT	A UL/CSA
	H2 120 V / 60 Hz		8 Non UL

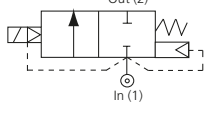
<sup>4</sup> 24 V / 60 Hz and 120 V 60 Hz only.

## Product coding example:

17C31Z1B1-2H29A: UACD Series  
3/8" NPT, Auto, Brass body, EPDM seals, 120 V / 60 Hz 1/2" NPT electrical connection UL/CSA approval.

# ACP Series

## - 2/2 Normally Closed

Specifications	
Function	Normally Closed, energise to open 
Maximum Viscosity	115 SSU
3/8" - 1" Body Material (Std)	Brass CZ122
1 1/4" - 2" Body Material (Std)	Bronze
Flange Tube	Stainless Steel 303
Plunger and Top Stop	Stainless Steel 430FR
Springs	Stainless Steel 302
Seal Material (Std)	NBR
Connection Type (Std)	BS21
Shading Ring	Copper (std), Silver (stainless steel option)
Electrical Characteristics	
Coil Voltage DC (=)	12 V, 24 V, 110 V
Coil Voltage AC 50 Hz (-)	24 V, 110 V, 120 V, 230 V
Coil Voltage AC 60 Hz (-)	24 V, 110 V, 120 V, 220 V
Voltage Tolerance	+10% or -10%
Duty Cycle	100% ED
Protection Class (Std)	IP65 (BS EN 60529) (plug supplied as standard)
Electrical Connection (Std)	PG9 Din Connector DIN 43650/ISO 4400 (EN 175301-803) Form 'A'
Coil Insulation	Class H (BS EN 60085) 180 °C
Power Rating	14.5 Watts, 19 VA

### Features and Benefits

- Heavy duty valve design
- Piston operation
- Choice of valve body material and seals
- Wide temperature range capabilities
- Response time up to 1" 40-100 ms
- Response time up to 2" 60-1000 ms



Pipe Size	Cv (gpm)	Kv (m <sup>3</sup> /h)	OPD (Bar)	P. Max <sup>2</sup> Bar	Orifice (mm)	Weight (kg)
1/2"	4.9	4.2	0.3-10.3	50	16.00	1.4
3/4"	6.3	5.4	0.3-10.3		16.00	1.4
1"	14.5	12.5	0.3-10.3		25.00	2.3
1 1/4"	20.9	18	0.3-10.3		30.00	3.0
1 1/2"	20.9	18	0.3-10.3		30.00	3.0
2"	24.4	21	0.3-10.3		32.00	5.2

<sup>2</sup> P. Max is limited to 46.5 Bar when valve is fitted with an Exd solenoid operator, see separate datasheet.

### Options Available

Exd & Exm Solenoid Enclosure	
Protection Class	
Exd T6 (IP67)	See separate datasheet
Exd T4 (IP67)	
Exm T5 (IP65)	

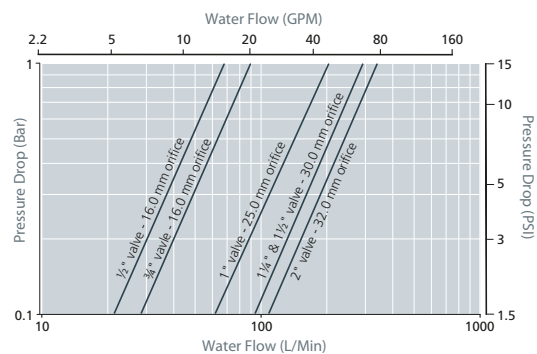
Seal Material <sup>1</sup> and Media Temp. Range	Ambient Temperature Range °C	
	Min	Max
NBR (-10 °C to +80 °C)	-10	50
EPDM (-50 °C to +120 °C)	-10	50
FKM (-20 °C to +150 °C)	-10	50

Main Valve Body Options
Stainless steel body 316 (available up to 1")
Oxygen Cleaning (Consult Rotork Midland for product code)
NPT Threads
Stainless steel tagging

<sup>1</sup> See corrosion reference guide and sealing solutions for material compatibility.

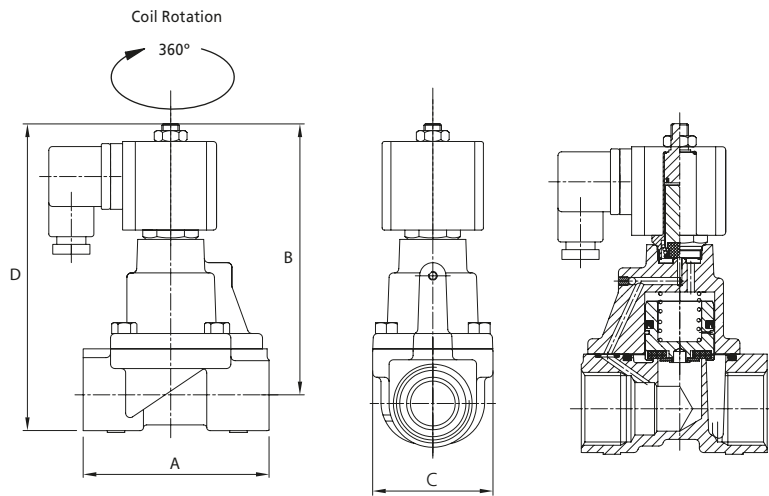
### How to use the flow chart

1. Select the required flow.
2. Note the corresponding pressure drop.
3. Based on where the two points intersect select the most appropriate model.

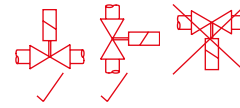


# ACP Series

## - 2/2 Normally Closed



### Preferred Valve Mounting Options



### Dimensions

Pipe Size	A	B	C	D
1/2"	85	126	75*	150
3/4" - 1"	85	135	75 inc. plug	155
1 1/4" - 1 1/2"	117	133	82	209
2"	146	145	103	209

Dimensions given in mm

### Solenoid enclosures

#### E5 Type enclosure protection class IP65

- External material: Glass reinforced nylon
- Electrical connection: DIN Plug to ISO 4400
- Winding insulation: Class H
- Enclosure: Conforms to IP65 when correct plug gasket is fitted as supplied



### Coding chart

#### Main Valve Assembly

Model		Valve Body Conn. Size		Connection Type		Operation	
22	ACP	D	1/2"	1	BS21	1	AUTO
		E	3/4"	2	BSP G (1 1/4" and above)	2	MANUAL OVERRIDE
		F	1"				
		G	1 1/4"	3	NPT	3	FLANGED (PN16 STD)
		H	1 1/2"				
		J	2"				

Body Material		Seals			Style	
1	Brass (standard on valves up to and including 1")	A	NBR		1	Standard
		B	EPDM			
		C	FKM			
2	Bronze (standard on valves above 1")					
5	316 Stainless Steel (option available up to and inc 1")					

#### Coil options

Enclosure	Voltage / Frequency		Electrical Connection
1 Weather proof IP65	A1	230 V / 50 Hz	1 Din plug 9 mm
	A2	110 V / 50 Hz & 120 V / 50 Hz	
	A3	24 V / 50 Hz	
	A7	220 V / 50 Hz	
	B2	24 VDC	
	B3	12 VDC	
	B5	110 VDC	

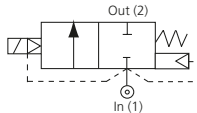
22	•	•	•	Z	•	•	1	-	1	••	1
----	---	---	---	---	---	---	---	---	---	----	---

### Product coding example:

22D11Z1A1-1A11 - ACP Series  
1/2" BS21, auto operation, brass body, NBR seals, 230 V / 50 Hz DIN Plug 9 mm.

# UACP Series (USA)

- 2/2 Normally Closed

Specifications	
Mode of Operation	Normally Closed, energise to open 
Maximum Viscosity	115 SSU
3/8" - 1" Body Material (Std)	Brass (Std) or Stainless Steel option
1 1/4" - 2" Body Material (Std)	Bronze (Std)
Flange Tube	Stainless Steel
Plunger and top stop	Stainless Steel
Springs	Stainless Steel
Seal Material	Nitrile (BunaN) (Std) other options available
Connection Type	NPT
Shading Ring	Copper (std), Silver (stainless steel option)
Electrical Characteristics	
Coil Voltage DC (=)	12 V, 24 V
Coil Voltage AC 60 Hz (-)	24 V, 120 V
Voltage Tolerance	+10% or -10%
Duty Cycle	100% ED
Electrical Connection Options	1/2" NPT metal conduit hub with 18" leads (NEMA 2 equivalent protection class)
Coil Insulation	Class H
Power Rating	14.5 Watts

## Features and Benefits

- Heavy duty valve design
- Piston operation
- Choice of valve body material and seals
- Wide temperature range capabilities
- Response time up to 1" 40-100 ms
- Response time up to 2" 60-1000 ms
- Tested in accordance with BS-EN 12266-1



Port Size	Cv	Kv	OPD (psi)		P. Max <sup>2</sup> psi	Orifice (mm)	Weight (lbs)
			AC Voltages	DC Voltages			
1/2"	4.9	4.2	5-150	5-150	725	16.0	2.8
3/4"	6.3	5.4	5-125	5-125		16.0	2.8
1"	14.5	12.5	5-125	5-125		25.0	5
1 1/4"	20.9	18	5-125	5-125		30.0	6.8
1 1/2"	20.9	18	5-125	5-125		30.0	6.8
2"	24.4	21	5-125	5-125		32.0	11.5

<sup>2</sup> P. Max is limited to 675 psi when valve is fitted with an Exd solenoid operator, see separate datasheet.

## Options Available

Solenoid Enclosure	
Protection Class	
EExd T6 (NEMA 6 equivalent)	See separate datasheet
EExd T4 (NEMA 6 equivalent)	

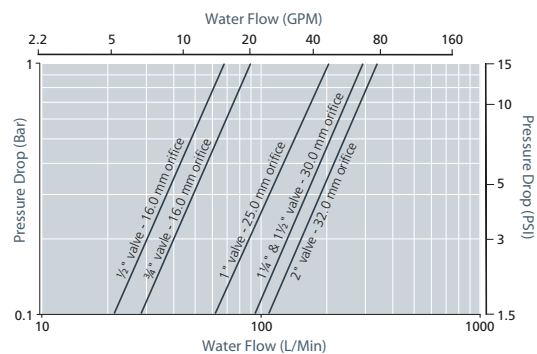
Seal Material <sup>1</sup> and Media Temp. Range	Ambient Temperature Range	
	Min	Max
Nitrile (14 °F to +176 °F)	14 °F	122 °F
EPDM (-58 °F to +248 °F)	14 °F	122 °F
Viton (-4 °F to +302 °F)	14 °F	122 °F

Main Valve Body Options
Stainless Steel 316 (up to and including 1")
Oxygen Cleaning (consult factory for product code)
Stainless Steel Tagging (consult factory for product code)

<sup>1</sup> See corrosion reference guide and sealing solutions for material compatibility.

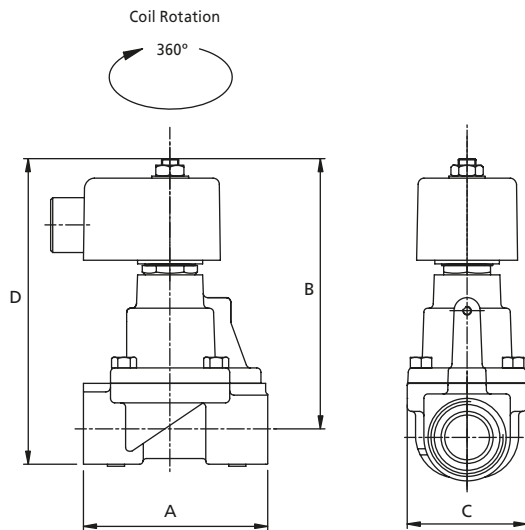
## How to use the flow chart

1. Select the required flow.
2. Note the corresponding pressure drop.
3. Based on where the two points intersect select the most appropriate model.



# UACP Series (USA)

- 2/2 Normally Closed



Preferred Valve Mounting Options



## Dimensions

Port size	A	B	C	D
1/2" - 3/4"	2 1/2"	4 1/8"	2 1/4"	4 13/16"
1"	4 1/4"	4 15/16"	3"	5 3/4"
1 1/4" - 1 1/2"	4 5/8"	5 1/4"	3 1/4"	8 1/4"
2"	5 3/4"	5 3/4"	4"	8 1/4"

Dimensions given in inches

## Solenoid enclosures

### S4 Type enclosure protection class IP50

External material: Pressed steel powder coated

Electrical entry: 1/2" NPT metal conduit hub with 18" leads  
(NEMA 2 equivalent protection class)

Winding Insulation: Class H



## Coding chart

### Main Valve Assembly

Model	Valve Body Conn. Size	Conn. Type	Operation	Orifice (mm)	Body Material	Seals	Style	
22	UACP	C 3/8" D 1/2" E 3/4" G 1 1/4" H 1 1/2" J 2"	3 NPT	1 AUTO	Z Default	1 Brass (standard on valves up to and including 1") 2 Bronze (standard on valves above 1") 5 316 Stainless Steel (option available up to and inc 1")	A Nitrile B EPDM C VITON	1 Standard

### Coil options

Enclosure	Voltage / Frequency	Electrical connection	Approval
2 S4 type enclosure -metal can (IP50) UL Approved	H1 24 V / 60 Hz H2 120 V / 60 Hz	9 1/2" NPT	A UL/CSA

## Product coding example:

22D31Z1A1-2H29A: UACP Series  
1/2" NPT, Auto, Brass body, nitrile seals, 120 V / 60 Hz, 1/2" NPT electrical connection UL/CSA approval.



# D201 Series

## General Purpose – 2/2 Normally Closed

Specifications	
Function (single acting)	<p>Flow direction overseat 1 → 2</p>
Maximum Viscosity	Max. 21cST (3 °E)
Body Material (Std)	Brass CW617N (EN 12165)
Orifice Material	Stainless Steel 1.4305 EN 10088 (AISI 303)
Flange	Stainless Steel 1.4305 EN 10088 (AISI 303)
Tube	Stainless Steel AISI 304
Plunger	Stainless Steel 1.4106 EN 10088 (AISI 430F)
Top Stop	Stainless Steel 1.4105 EN 10088 (AISI 430F)
Springs	Stainless Steel AISI 302
Seal Material (Std)	Foodgrade FKM
Connection Type (Std)	Flanged 32x32mm
Shading Ring	Copper
Electrical Characteristics	
Standard Coil Voltage DC (=)	24 V
Standard Coil Voltage AC 50 Hz (-)	24 V, 110 V, 200 V, 230 V
Standard Coil Voltage AC 60 Hz (-)	24 V, 120 V, 220 V, 240 V
Voltage Tolerance	+10% to -15% (AC)
	+10% to -5% (DC)
Duty Cycle	100% ED
Protection Class	IP65 (EN 60529) with plug and gasket correctly fitted *
Electrical Connection	to EN 175301 - 803 - A (ex DIN 43650)
Coil Insulation	Class F 155 °C
Power Rating (Standard)	AC 18 VA (holding) AC 36 VA (inrush) DC 14 W

### Features and Benefits

- Direct Acting
- Robust construction for industrial applications
- Stainless steel AISI 430F operators with low residual magnetism
- Manufactured in compliance to RoHS directive and to relevant international standards
- Choice of high quality seal materials
- Response time 5 to 25 ms



Pipe Size	Cv (gpm)	Kv (m³/h)	OPD (bar)		Orifice (mm)	Seal Material	Valve Code
			AC Voltages	DC Voltages			
Flanged	0.09	0.08	0 - 24	0 - 24	1.5	FKM EPDM	D201DVC D201DEC
Flanged	0.15	0.13	0 - 20	0 - 20	2.0	FKM EPDM	D201DVE D201DEE
Flanged	0.24	0.20	0 - 18	0 - 18	2.5	FKM EPDM	D201DVG D201DEG
Flanged	0.32	0.27	0 - 15	0 - 10	3.0	FKM EPDM	D201DVH D201DEH

### Options Available

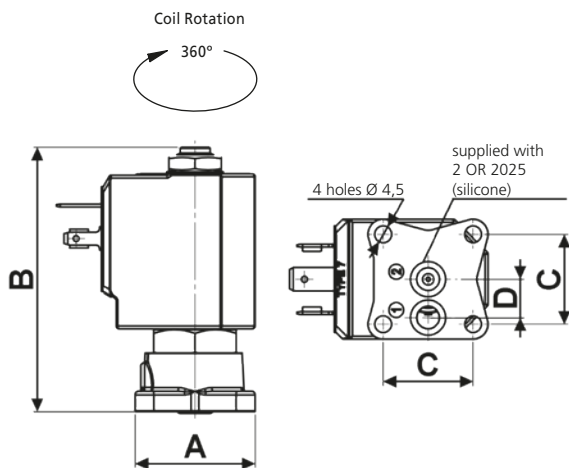
Valve Options (see coding chart)
Manual override

Seal Material <sup>1</sup> and Media Temperature Range	Media	Ambient Temperature Range	
		Min	Max
FKM (-10 °C to +130 °C)	Water, oil, air,	-10 °C	+50 °C
EPDM (-10 °C to +120 °C)	Water, hot water	-10 °C	+50 °C

<sup>1</sup> See corrosion reference guide and sealing solutions for material compatibility.

# D201 Series

## General Purpose – 2/2 Normally Closed



### Preferred Valve Mounting Options



Pipe Size	A	B	C	D	Weight (kg)
Flanged	32	70.6	24	10.25	0.25

Dimensions (mm)

### Solenoid enclosures

#### 7--0 Type Coil - Insulation class F

External material: PBT (reinforced fibreglass 30%)  
 Electrical connection: DIN EN 175301-803 form A  
 Winding insulation: Class H (E180)  
 Enclosure classification: Conforms to IP65 (according to EN 60529) with plug and gasket correctly fitted\*



\* Plug and gasket not supplied as standard, must be ordered separately.

#### Type 600 011- Plug

Rated Voltage (max.): 250 VAC / 300 VDC  
 Nominal Current: 10A (rated) / 16A (max)  
 Wire cross-section: 1.5 mm<sup>2</sup> max  
 Cable Entry: PG9 (6 to 8 mm)  
 Enclosure classification: Conforms to IP65 (according to EN 60529) with supplied gasket  
 Insulation class: group C- VDE 0110  
 Housing colour: black  
 UL approved, file No: E205538



### Coding chart

#### Main Valve Assembly

#### Coil options

#### Plug

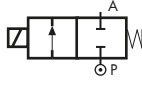




Main Valve Assembly					Seals		Orifice		Option		Voltage / Frequency - Class F				Plug	
V	FKM	C	1.5	M	Manual Override	7250	24 VDC									
E	EPDM	E	2.0		w/o option	7200	24 V / 50/60 Hz							0A1	c/w plug	
		G	2.5			7400	110 V / 50 Hz - 120 V / 60 Hz									
		H	3.0			7600	200 V / 50 Hz - 220 V / 60 Hz									
						7700	230 V / 50 Hz - 240 V / 60 Hz									
D	2	0	1	D	.	.	.	.	.	.	.	.	.	.	.	

### Product coding example:

D201DVC 7700  
 G, auto operation, brass body, FKM seals, 1.5 mm orifice, 230 V / 50 Hz - 240 V / 60 Hz, without plug.

# D201 Series (USA)

## General Purpose – 2/2 Normally Closed

Specifications	
Function (single acting)	 <p>Flow direction overseat 1 → 2</p>
Maximum Viscosity	Max. 21cST (3 °E)
Body Material (Std)	Brass C37700 (UNS Designation)
Orifice Material	Stainless Steel AISI 303 (1.4305 EN 10088)
Flange	Stainless Steel AISI 303 (1.4305 EN 10088)
Tube	Stainless Steel AISI 304
Plunger	Stainless Steel AISI 430F (1.4106 EN 10088)
Top Stop	Stainless Steel AISI 430F (1.4105 EN 10088)
Springs	Stainless Steel AISI 302
Seal Material (Std)	Foodgrade FKM
Connection Type (Std)	Flanged 1.26x1.26 inches
Shading Ring	Copper
Electrical Characteristics	
 Coil Voltage DC (=)	24 V
 Coil Voltage AC 50 Hz (-)	24 V, 110 V, 230 V
 Coil Voltage AC 60Hz (-)	120 V, 240 V
Voltage Tolerance	+10% to -15% (AC)
	+10% to -5% (DC)
Duty Cycle	100% ED
Enclosure Classification	NEMA type 4 (UL 50) and IP65 (EN 60529) with plug and gasket correctly fitted *
Electrical Connection	to EN 175301 - 803 - A (ex DIN 43650)
Coil Insulation Class	155 (F) to UL429 and to EN 60730-1
Power Rating  Coils	AC 15 VA (holding) AC 30 VA (inrush) DC 10 W

### Features and Benefits

- Direct Acting
- Robust construction for industrial applications
- Stainless steel AISI 430F operators with low residual magnetism
- Choice of high quality seal materials
- Response time 5 to 25 ms



Pipe Size	Cv (gpm)	Kv (m³/h)	OPD psi (bar) <sup>2</sup>		Orifice inches (mm)	Seal Material	Valve Code
			AC Voltages	DC Voltages			
Flanged	0.09	0.08	0 - 348 (0 - 24)	0 - 348 (0 - 24)	1/16 (1.5)	FKM EPDM	D201D <del>Y</del> C D201D <del>E</del> C
Flanged	0.15	0.13	0 - 290 (0 - 20)	0 - 218 (0 - 15)	2.0 (1/64)	FKM EPDM	D201D <del>Y</del> E D201D <del>E</del> E
Flanged	0.24	0.20	0 - 218 (0 - 15)	0 - 189 (0 - 13)	2.5 (1/32)	FKM EPDM	D201D <del>Y</del> G D201D <del>E</del> G
Flanged	0.32	0.27	0 - 189 (0 - 13)	0 - 116 (0 - 8)	3.0 (1/8)	FKM EPDM	D201D <del>Y</del> H D201D <del>E</del> H

<sup>2</sup> The valve supplied without coil carry a nameplate with pressure ratings marked in bar.

### Options Available

Valve Options (see coding chart)
Manual override
CE coils power 14W - 18VA <sup>1</sup>

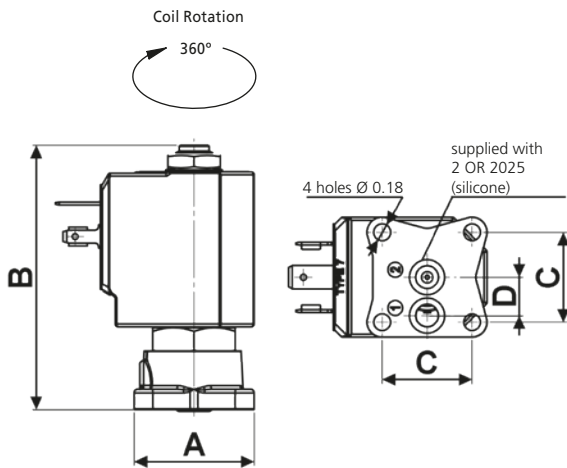
<sup>1</sup> Pressure ratings of valves fitted with CE coils may be higher than with UL coils (coils specifications on [Page 303](#)).

Seal Material <sup>3</sup> and Media Temperature Range	Media	Ambient Temperature Range	
		Min	Max
FKM 14 °F to 266 °F (-10 °C to +130 °C)	Water, oil, air,	14 °F (-10 °C)	122 °F (+50 °C)
EPDM 14 °F to 248 °F (-10 °C to +120 °C)	Water, hot water	14 °F (-10 °C)	122 °F (+50 °C)

<sup>3</sup> See corrosion reference guide and sealing solutions for material compatibility.

# D201 Series (USA)

## General Purpose – 2/2 Normally Closed



### Preferred Valve Mounting Options



Pipe Size	A	B	C	D	Weight Lb (kg)
Flanged	1.26 (32)	2.78 (70.6)	0.94 (24)	0.40 (10.25)	0.55 (0.25)

Dimensions inches (mm)

### Solenoid enclosures

#### 7--R cULus Type Coil - Insulation class F

- External material: PET 815ER Rynite®
- Electrical connection: DIN EN 175301-803 form A
- Winding insulation: Class H (P180)
- Enclosure classification: Conforms to NEMA type 4 (UL 50) and IP65 (according to EN 60529) with plug and gasket correctly fitted\*
- UL approved, file No: E193928



#### Type 600 011- Plug

- Rated Voltage (max.): 250 VAC / 300 VDC
- Nominal Current: 10A (rated) / 16A (max)
- Wire cross-section: 0.0023 inch<sup>2</sup> max (1.5 mm<sup>2</sup> max)
- Cable Entry: PG9 (0.24 to 0.31 inch / 6 to 8mm)
- Enclosure classification: Conforms to IP65 (according to EN 60529) with supplied gasket
- Insulation class: group C- VDE 0110
- Housing colour: black
- UL approved, file No: E205538



\* Plug and gasket not supplied as standard, must be ordered separately

### Coding chart

#### Main Valve Assembly

Seals		Orifice		Option	
V	FKM	C	1/16	M	Manual Override
E	EPDM	E	5/64		w/o option
		G	3/32		
		H	1/8		

#### Coil options

Voltage / Frequency - cULus Type, Class F	
725R	24 VDC
720R	24 V / 50 Hz
740R	110 V / 50 Hz - 120 V / 60 Hz
770R	230 V / 50 Hz - 240 V / 60 Hz

Voltage / Frequency - CE Type, Class F	
7250	24 VDC
7200	24 V / 50/60 Hz
7400	110 V / 50 Hz - 120 V / 60 Hz
7600	200 V / 50 Hz - 220 V / 60 Hz
7700	230 V / 50 Hz - 240 V / 60 Hz

#### Plug

Plug	
	w/o plug
0A1	c/w plug

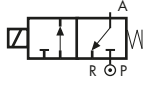
D	2	0	1	D	.	.	.	.	.	.	.	.	.	.	.
---	---	---	---	---	---	---	---	---	---	---	---	---	---	---	---

### Product coding example:

D201DVC 770R  
Flanged connection, auto operation, brass body, FKM seals, 1/16 orifice, 230 V / 50 Hz - 240 V / 60 Hz, without plug.

# B397 Series

## General Purpose – 3/2 Normally Closed

Specifications	
Function (single acting)	 Flow direction underseat 2 → 1
Maximum Viscosity	Max. 21cST (3 °E)
Body Material (Std)	Low lead content Brass CW719R (EN 12165)
Orifice Material	Stainless Steel 1.4305 EN 10088 (AISI 303)
Tube	Stainless Steel AISI 304
Flange	Stainless Steel 1.4305 EN 10088 (AISI 303)
Plunger	Stainless Steel 1.4105 EN 10088 (AISI 430F) or equivalent
Top Stop	Stainless Steel 1.4105 EN 10088 (AISI 430F)
Springs	Stainless Steel AISI 302
Seal Material (Std)	Foodgrade FKM
Connection Type (Std)	G parallel thread (ISO 228-1)
Shading Ring	Copper
Electrical Characteristics	
Standard Coil Voltage DC (=)	24 V
Standard Coil Voltage AC 50 Hz (-)	24 V, 110 V, 200 V, 230 V
Standard Coil Voltage AC 60 Hz (-)	24 V, 120 V, 220 V, 240 V
Voltage Tolerance	+10% to -15% (AC)
	+10% to -5% (DC)
Duty Cycle	100% ED
Protection Class	IP65 (EN 60529) with plug and gasket correctly fitted *
Electrical Connection	to industrial form B
Coil Insulation	Class F 155 °C
Power Rating (Standard)	AC 10 VA (holding) AC 16 VA (inrush) DC 7 W

### Features and Benefits

- Direct Acting
- Robust construction for industrial applications
- Zero pressure rated
- Stainless steel AISI 430F operators with low residual magnetism
- Manufactured in compliance to RoHS directive and to relevant international standards
- Choice of high quality seal materials
- Valve suitable for contact with food media as per the EEC Directives and Regulations. Please consult supplier for more details
- Response time 5 to 25 ms



### Valve manufactured in conformity of all regulation and law CE:

- EC 1935/2004
- EC 2023/2006
- EC 10/2011 and all subsequent amended and integration
- For metal alloy different from stainless steel included superficial treatment in absence of specific national or international rule the conformity is evaluated following clause 3 of regulation EC 1935/2004 using resolution of European council as guide: Metal and Alloys used in food contact 1<sup>st</sup> edition 2013.
- Italian law: D.M. 174 06/04/2004 drinkable water
- Italian law: D.M. 21/03/1973 and all subsequent amended and integration.

Pipe Size	Cv (gpm)	Kv (m <sup>3</sup> /h)	OPD (bar)		Orifice (mm)	Seal Material	Valve Code
			AC Voltages	DC Voltages			
1/8"	0.04	0.03	0 - 18	0 - 18	1.0	FKM EPDM	B397CVA B397CEA
1/8"	0.05	0.04	0 - 15	0 - 15	1.2	FKM EPDM	B397CVB B397CEB
1/8"	0.07	0.06	0 - 10	0 - 10	1.5	FKM EPDM	B397CVC B397CEC
1/8"	0.13	0.11	0 - 5	0 - 5	2.0	FKM EPDM	B397CVE B397CEE
1/8"	0.25	0.21	0 - 2	0 - 2	3.0	FKM EPDM	B397CVH B397CEH

### Options Available

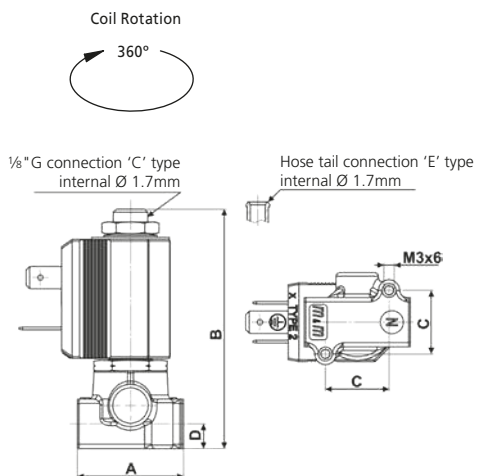
Valve Options (see coding chart)
NPT threads (minimum batch may be required)
Manual Override
Electroless nickel plating treatment
Top port connection with hose tail Ø 6mm

Seal Material <sup>1</sup> and Media Temperature Range	Media	Ambient Temperature Range	
		Min	Max
FKM (-10 °C to +130 °C)	Water, oil, air	-10 °C	+50 °C
EPDM (-10 °C to +120 °C)	Water, hot water	-10 °C	+50 °C

<sup>1</sup> See corrosion reference guide and sealing solutions for material compatibility.

# B397 Series

## General Purpose – 3/2 Normally Closed



Preferred Valve Mounting Options



Pipe Size	A	B	C	D	Weight (kg)
1/8"	30	67.8	18	7	0.15

Dimensions (mm)

### Solenoid enclosures

#### 2--0 Type Coil - Insulation class F

- External material: PBT (reinforced fibreglass 30%)
- Electrical connection: Industrial form B
- Winding insulation: Class H (E180)
- Enclosure classification: Conforms to IP65 (according to EN 60529) with plug and gasket correctly fitted\*



#### Type 600 001- Plug

- Rated Voltage (max.): 250 VAC / 300 VDC
- Nominal Current: 10A (rated) / 16A (max)
- Wire cross-section: 1.5 mm<sup>2</sup> max
- Cable Entry: PG9 (6 to 8 mm)
- Enclosure classification: Conforms to IP65 (according to EN 60529) with supplied gasket
- Insulation class: group C- VDE 0110
- Housing colour: black
- UL approved, file No: E205538



\* Plug and gasket not supplied as standard, must be ordered separately.

### Coding chart

#### Main Valve Assembly

#### Coil options

#### Plug

Top Port Connection				Seals		Orifice		Option		Voltage / Frequency - Class F				Plug	
C	1/8" G	V	FKM	A	1.0	N	NPT	2250	24 VDC			081	c/w plug		
E	Hose tail Ø 6mm	E	EPDM	B	1.2	M	Manual Override	2200	24 V / 50/60 Hz				w/o plug		
				C	1.5	K	Electroless nickel plating	2400	110 V / 50 Hz - 120 V / 60 Hz						
				E	2.0		w/o option	2600	200 V / 50 Hz - 220 V / 60 Hz						
				H	3.0			2700	230 V / 50 Hz - 240 V / 60 Hz						

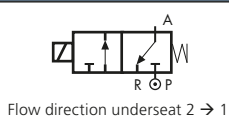
B	3	9	7	.	.	.	.	.	.	.	.	.	.	.	.
---	---	---	---	---	---	---	---	---	---	---	---	---	---	---	---

#### Product coding example:

B397CVAM 2250  
1/8" G, auto operation, brass body, FKM seals, 1.0 mm orifice, with manual override, 24 VDC, without plug.

# B397 Series (USA)

## General Purpose – 3/2 Normally Closed

Specifications	
Function (single acting)	 Flow direction underseat 2 → 1
Maximum Viscosity	Max. 21cST (3 °E)
Body Material (Std)	Low lead content Brass C46400 (UNS Designation)
Orifice Material	Stainless Steel AISI 303 (1.4305 EN 10088)
Tube	Stainless Steel AISI 304
Flange	Stainless Steel AISI 303 (1.4305 EN 10088)
Plunger	Stainless Steel AISI 430F or equivalent
Top Stop	Stainless Steel AISI 430F (1.4105 EN 10088)
Springs	Stainless Steel AISI 302
Seal Material (Std)	Foodgrade FKM
Connection Type	NPT
Shading Ring	Copper
Electrical Characteristics <sup>1</sup>	
Standard Coil Voltage DC (=)	24 V
Standard Coil Voltage AC 50 Hz (-)	24 V, 110 V, 200 V, 230 V
Standard Coil Voltage AC 60 Hz (-)	24 V, 120 V, 220 V, 240 V
Voltage Tolerance	+10% to -15% (AC)
	+10% to -5% (DC)
Duty Cycle	100% ED
Enclosure Classification	NEMA type 4 (UL 50) and IP65 (EN 60529) with plug and gasket correctly fitted *
Electrical Connection	to industrial form B
Coil Insulation Class	155 (F) to UL429 and to EN 60730-1
Power Rating (Standard)	AC 10 VA (holding) AC 16 VA (inrush) DC 10 W

<sup>1</sup> These coils are not UL approved.

### Features and Benefits

- Direct Acting
- Robust construction for industrial applications
- Zero pressure rated
- Stainless steel AISI 430F operators with low residual magnetism
- Choice of high quality seal materials
- Valve suitable for contact with food media when used with FKM seals, as per the EEC Directives and Regulations. Please consult supplier for more details
- Response time 5 to 25 ms



Pipe Size	Cv (gpm)	Kv (m³/h)	OPD psi (bar)		Orifice inches (mm)	Seal Material	Valve Code
			AC Voltages	DC Voltages			
1/8	0.04	0.03	0 - 261 (0 - 18)	0 - 261 (0 - 18)	3/64 (1.0)	FKM EPDM	B397C <sub>V</sub> AN B397C <sub>E</sub> AN
1/8	0.05	0.04	0 - 218 (0 - 15)	0 - 218 (0 - 15)	3/64 (1.2)	FKM EPDM	B397C <sub>V</sub> BN B397C <sub>E</sub> BN
1/8	0.07	0.06	0 - 145 (0 - 10)	0 - 145 (0 - 10)	1/16 (1.5)	FKM EPDM	B397C <sub>V</sub> CN B397C <sub>E</sub> CN
1/8	0.13	0.11	0 - 73 (0 - 5)	0 - 73 (0 - 5)	5/64 (2.0)	FKM EPDM	B397C <sub>V</sub> EN B397C <sub>E</sub> EN

### Options Available

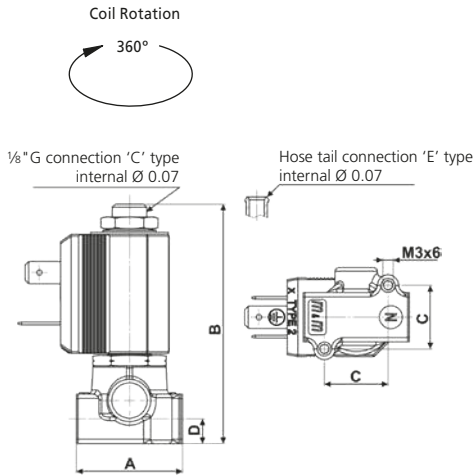
Valve Options (see coding chart)
G parallel thread (ISO 228-1)
Manual Override
Electroless nickel plating treatment
Top port connection with hose tail Ø 0.24 inches (6 mm)

Seal Material <sup>2</sup> and Media Temperature Range	Media	Ambient Temperature Range	
		Min	Max
FKM 14 °F to 266 °F (-10 °C to +130 °C)	Water, oil, air	14 °F (-10 °C)	122 °F (+50 °C)
EPDM 14 °F to 248 °F (-10 °C to +120 °C)	Water, hot water	14 °F (-10 °C)	122 °F (+50 °C)

<sup>2</sup> See corrosion reference guide and sealing solutions for material compatibility.

# B397 Series (USA)

## General Purpose – 3/2 Normally Closed



Preferred Valve Mounting Options



Pipe Size	A	B	C	D	Weight Lb (kg)
1/8	1.18 (30)	2.67 (67.8)	0.71 (18)	0.28 (7)	0.33 (0.15)

Dimensions inches (mm)

### Solenoid enclosures

#### 2--0 Type Coil - Insulation class F

- External material: PBT (reinforced fibreglass 30%)
- Electrical connection: Industrial form B
- Winding insulation: Class H (E180)
- Enclosure classification: Conforms to NEMA type 4 (UL 50) and IP65 (according to EN 60529) with plug and gasket correctly fitted\*



#### Type 600 001- Plug

- Rated Voltage (max.): 250 VAC / 300 VDC
- Nominal Current: 10A (rated) / 16A (max)
- Wire cross-section: 0.0023 inch<sup>2</sup> max (1.5 mm<sup>2</sup> max)
- Cable Entry: PG9 (0.24 to 0.31 inch / 6 to 8 mm)
- Enclosure classification: Conforms to IP65 (according to EN 60529) with supplied gasket
- Insulation class: group C- VDE 0110
- Housing colour: black
- UL approved, file No: E205538



\* Plug and gasket not supplied as standard, must be ordered separately

### Coding chart

#### Main Valve Assembly

Top port connection		Seals		Orifice		Thread Pipe		Option	
C	1/8" G	V	FKM	A	3/64	N	NPT	M	Manual Override
E	Hose tail Ø 6mm	E	EPDM	B	3/64		GAS	K	Electroless nickel plating
				C	1/16				w/o option
				E	5/64				

#### Coil options

Voltage / Frequency - CE Type, Class F	
2250	24 VDC
2200	24 V / 50/60 Hz
2400	110 V / 50 Hz - 120 V / 60 Hz
2600	200 V / 50 Hz - 220 V / 60 Hz
2700	230 V / 50 Hz - 240 V / 60 Hz

#### Plug

Plug	
0B1	c/w plug
	w/o plug

B	3	9	7	.	.	.	N	.	.	.	.	.	.	.	.	.
---	---	---	---	---	---	---	---	---	---	---	---	---	---	---	---	---

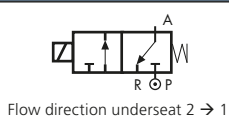
#### Product coding example:

B397CVANM 2250  
1/8 NPT, auto operation, brass body, FKM seals, 3/64 orifice, with manual override, 24 VDC, without plug.



# B398 Series

## General Purpose – 3/2 Normally Closed

Specifications	
Function (single acting)	 <p>Flow direction underseat 2 → 1</p>
Maximum Viscosity	Max. 21cST (3 °E)
Body Material (Std)	Stainless Steel 1.4305 EN 10088 (AISI 303)
Orifice Material	Stainless Steel 1.4305 EN 10088 (AISI 303)
Flange Tube <sup>1</sup>	Stainless Steel (AISI 303)
Plunger and Top Stop	Stainless Steel 1.4105 EN 10088 (AISI 430F) or equivalent
Springs	Stainless Steel AISI 302
Seal Material (Std)	Foodgrade FKM
Connection Type (Std)	G parallel thread (ISO 228-1)
Shading Ring	Copper
Electrical Characteristics	
Standard Coil Voltage DC (-)	24 V
Standard Coil Voltage AC 50 Hz (-)	24 V, 110 V, 200 V, 230 V
Standard Coil Voltage AC 60 Hz (-)	24 V, 120 V, 220 V, 240 V
Voltage Tolerance	+10% to -15% (AC)
	+10% to -5% (DC)
Duty Cycle	100% ED
Protection Class	IP65 (EN 60529) with plug and gasket correctly fitted *
Electrical Connection	to industrial form B
Coil Insulation	Class F 155 °C
Power Rating (Standard)	AC 10 VA (holding) AC 16 VA (inrush) DC 7 W

<sup>1</sup> With special nut, different from Standard.

### Features and Benefits

- Direct Acting
- Robust construction for industrial applications
- Zero pressure rated
- Stainless steel AISI 430F operators with low residual magnetism
- Manufactured in compliance to RoHS directive and to relevant international standards
- High quality seal materials
- Response time 5 to 25 ms



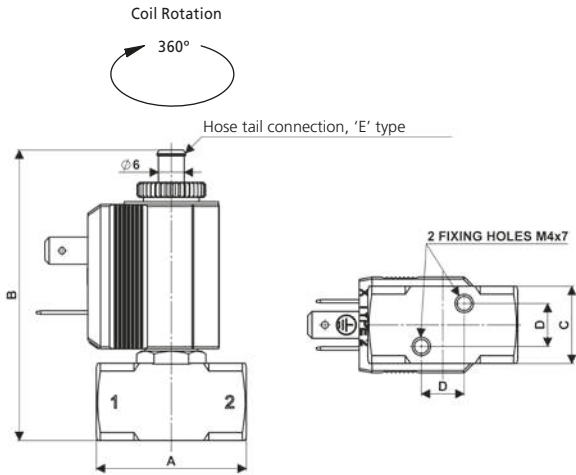
Pipe Size	Cv (gpm)	Kv (m <sup>3</sup> /h)	OPD (bar)		Orifice (mm)	Seal Material	Valve Code
			AC Voltages	DC Voltages			
1/8"	0.05	0.04	0 - 15	0 - 15	1.2	FKM	B398EVB
1/8"	0.07	0.06	0 - 10	0 - 10	1.5	FKM	B398EVC
1/8"	0.13	0.11	0 - 5	0 - 5	2.0	FKM	B398EVE
1/8"	0.19	0.16	0 - 3	0 - 3	2.5	FKM	B398EVG

Seal Material <sup>1</sup> and Media Temperature Range	Media	Ambient Temperature Range	
		Min	Max
FKM (-10 °C to +130 °C)	Water, oil, air, aggressive fluids	-10 °C	+50 °C

<sup>1</sup> See corrosion reference guide and sealing solutions for material compatibility.

# B398 Series

## General Purpose – 3/2 Normally Closed



### Preferred Valve Mounting Options



Pipe Size	A	B	C	D	Weight (kg)
1/8"	35	68	18	10	0.1

Dimensions (mm)

### Solenoid enclosures

#### 2--0 Type Coil - Insulation class F

- External material: PBT (reinforced fibreglass 30%)
- Electrical connection: Industrial form B
- Winding insulation: Class H (E180)
- Enclosure classification: Conforms to IP65 (according to EN 60529) with plug and gasket correctly fitted\*



\* Plug and gasket not supplied as standard, must be ordered separately.

#### Type 600 001- Plug

- Rated Voltage (max.): 250 VAC / 300 VDC
- Nominal Current: 10A (rated) / 16A (max)
- Wire cross-section: 1.5 mm<sup>2</sup> max
- Cable Entry: PG9 (6 to 8 mm)
- Enclosure classification: Conforms to IP65 (according to EN 60529) with supplied gasket
- Insulation class: group C- VDE 0110
- Housing colour: black
- UL approved, file No: E205538



### Coding chart

#### Main Valve Assembly

#### Coil options

#### Plug

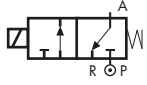
Main Valve Assembly						Coil options				Plug		
Orifice		Option				Voltage / Frequency - Class F				Plug		
B	1.2	w/o option				2250	24 VDC			081	c/w plug	
C	1.5					2200	24 V / 50/60 Hz					
E	2.0					2400	110 V / 50 Hz - 120 V / 60 Hz					
G	2.5					2600	200 V / 50 Hz - 220 V / 60 Hz					
						2700	230 V / 50 Hz - 240 V / 60 Hz					
<b>B</b>	<b>3</b>	<b>9</b>	<b>8</b>	<b>E</b>	<b>V</b>	.	.	.	.	.	.	.

### Product coding example:

B398EVB 2250  
1/8" G, auto operation, stainless steel body, FKM seals, 1.2 mm orifice, 24 VDC, without plug.

# B398 Series (USA)

## General Purpose – 3/2 Normally Closed

Specifications	
Function (single acting)	 <p>Flow direction underseat 2 → 1</p>
Maximum Viscosity	Max. 21cST (3 °E)
Body Material (Std)	Stainless Steel AISI 303 (1.4305 EN 10088)
Orifice Material	Stainless Steel AISI 303 (1.4305 EN 10088)
Flange Tube <sup>1</sup>	Stainless Steel AISI 303
Plunger and Top Stop	Stainless Steel AISI 430F or equivalent
Springs	Stainless Steel AISI 302
Seal Material (Std)	Foodgrade FKM
Connection Type	NPT
Shading Ring	Copper
Electrical Characteristics <sup>2</sup>	
Standard Coil Voltage DC (=)	24 V
Standard Coil Voltage AC 50 Hz (-)	24 V, 110 V, 200 V, 230 V
Standard Coil Voltage AC 60 Hz (-)	24 V, 120 V, 220 V, 240 V
Voltage Tolerance	+10% to -15% (AC)
	+10% to -5% (DC)
Duty Cycle	100% ED
Enclosure Classification	NEMA type 4 (UL 50) and IP65 (EN 60529) with plug and gasket correctly fitted *
Electrical Connection	to industrial form B
Coil Insulation Class	155 (F) to UL429 and to EN 60730-1
Power Rating (Standard)	AC 10 VA (holding) AC 16 VA (inrush) DC 10 W

<sup>1</sup> With special nut, different from Standard.

<sup>2</sup> These coils are not UL approved.

### Features and Benefits

- Direct Acting
- Robust construction for industrial applications
- Zero pressure rated
- Stainless steel AISI 430F operators with low residual magnetism
- High quality seal materials
- Response time 5 to 25 ms



Pipe Size	Cv (gpm)	Kv (m <sup>3</sup> /h)	OPD psi (bar)		Orifice inches (mm)	Seal Material	Valve Code
			AC Voltages	DC Voltages			
1/8	0.05	0.04	0 - 218 (0 - 15)	0 - 218 (0 - 15)	3/64 (1.2)	FKM	B398E\BN
1/8	0.07	0.06	0 - 145 (0 - 10)	0 - 145 (0 - 10)	1/16 (1.5)	FKM	B398E\CN
1/8	0.13	0.11	0 - 73 (0 - 5)	0 - 73 (0 - 5)	3/64 (2.0)	FKM	B398E\EN
1/8	0.19	0.16	0 - 44 (0 - 3)	0 - 44 (0 - 3)	3/32 (2.5)	FKM	B398E\GN

### Options Available

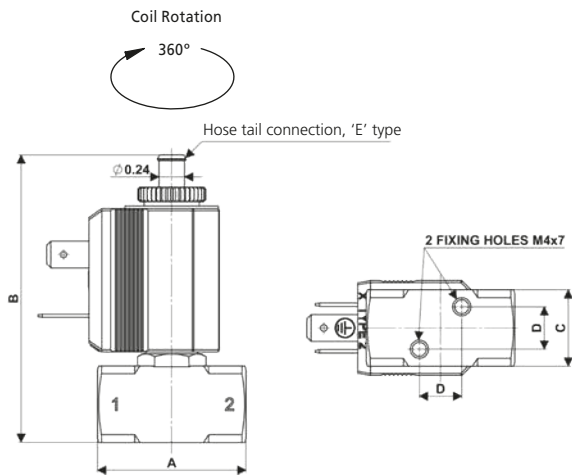
Valve Options (see coding chart)
G parallel thread (ISO 228-1)

Seal Material <sup>3</sup> and Media Temperature Range	Media	Ambient Temperature Range	
		Min	Max
FKM 14 °F to 266 °F (-10 °C to +130 °C)	Water, oil, air, aggressive fluids	14 °F (-10 °C)	122 °F (+50 °C)

<sup>3</sup> See corrosion reference guide and sealing solutions for material compatibility.

# B398 Series (USA)

## General Purpose – 3/2 Normally Closed



### Preferred Valve Mounting Options



Pipe Size	A	B	C	D	Weight Lb (kg)
1/8	1.38 (35)	2.68 (68)	0.71 (18)	0.39 (10)	0.22 (0.1)

Dimensions inches (mm)

### Solenoid enclosures

#### 2--0 Type Coil - Insulation class F

- External material: PBT (reinforced fibreglass 30%)
- Electrical connection: Industrial form B
- Winding insulation: Class H (E180)
- Enclosure classification: Conforms to NEMA type 4 (UL 50) and IP65 (according to EN 60529) with plug and gasket correctly fitted\*



\* Plug and gasket not supplied as standard, must be ordered separately.

#### Type 600 001- Plug

- Rated Voltage (max.): 250 VAC / 300 VDC
- Nominal Current: 10A (rated) / 16A (max)
- Wire cross-section: 0.0023 inch<sup>2</sup> max (1.5 mm<sup>2</sup> max)
- Cable Entry: PG9 (0.24 to 0.31 inch / 6 to 8 mm)
- Enclosure classification: Conforms to IP65 (according to EN 60529) with supplied gasket
- Insulation class: group C- VDE 0110
- Housing colour: black
- UL approved, file No: E205538

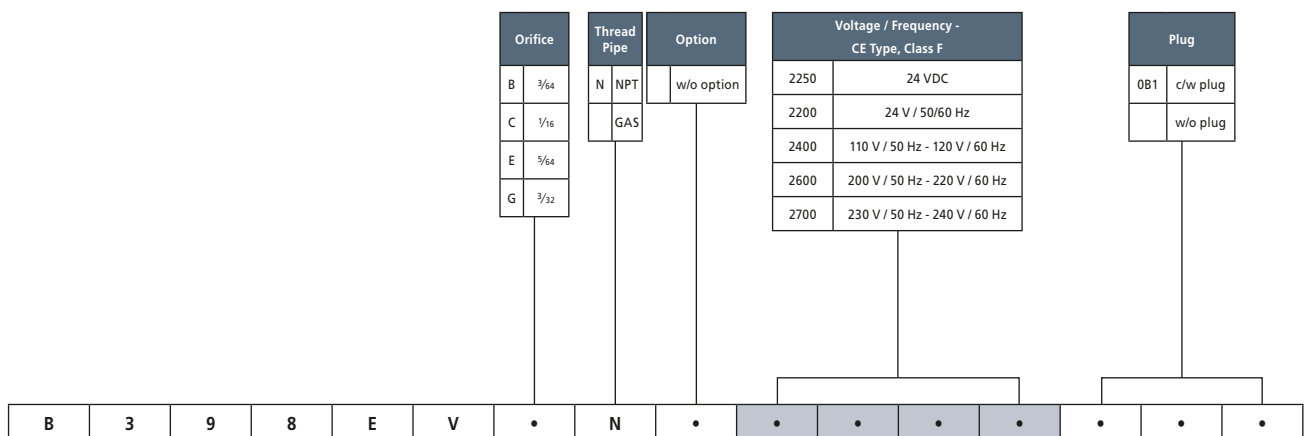


### Coding chart

#### Main Valve Assembly

#### Coil options

#### Plug



### Product coding example:

B398EVBN 2250  
1/8 NPT, auto operation, stainless steel body, FKM seals, 3/64 orifice, 24 VDC, without plug.

# D398/399 Series

## General Purpose – 3/2 Normally Closed

Specifications	
Function (single acting)	<p>Flow direction underseat 2 → 1</p>
Maximum Viscosity	Max. 21cST (3 °E)
Body Material (Std)	Stainless Steel 1.4305 EN 10088 (AISI 303)
Orifice Material	Stainless Steel 1.4305 EN 10088 (AISI 303)
Tube	Stainless Steel AISI 304
Flange	Stainless Steel 1.4305 EN 10088 (AISI 303)
Plunger	Stainless Steel 1.4106 EN 10088 (AISI 430F)
Top Stop	Stainless Steel 1.4105 EN 10088 (AISI 430F)
Springs	Stainless Steel AISI 302
Seal Material (Std)	Foodgrade FKM
Connection Type (Std)	G parallel thread (ISO 228-1)
Shading Ring	Copper
Electrical Characteristics	
Standard Coil Voltage DC (=)	24 V
Standard Coil Voltage AC 50 Hz (-)	24 V, 110 V, 200 V, 230 V
Standard Coil Voltage AC 60 Hz (-)	24 V, 120 V, 220 V, 240 V
Voltage Tolerance	+10% to -15% (AC)
	+10% to -5% (DC)
Duty Cycle	100% ED
Protection Class	IP65 (EN 60529) with plug and gasket correctly fitted *
Electrical Connection	to EN 175301 - 803 - A (ex DIN 43650)
Coil Insulation	Class F 155 °C
Power Rating (Standard)	AC 18 VA (holding) AC 36 VA (inrush) DC 14 W

### Features and Benefits

- Direct Acting
- Robust construction for industrial applications
- Zero pressure rated
- Stainless steel AISI 430F operators with low residual magnetism
- Manufactured in compliance to RoHS directive and to relevant international standards
- Choice of high quality seal materials
- Response time 5 to 25 ms



Pipe Size	Cv (gpm)	Kv (m³/h)	OPD (bar)		Orifice (mm)	Seal Material	Valve Code
			AC Voltages	DC Voltages			
¼"	0.09	0.08	0 - 18	0 - 18	1.5	FKM EPDM	D399CV/C D399CE/C
¼"	0.15	0.13	0 - 10	0 - 10	2.0	FKM EPDM	D399CV/E D399CE/E
¼"	0.24	0.20	0 - 7	0 - 7	2.5	FKM EPDM	D399CV/G D399CE/G
¼"	0.32	0.27	0 - 5	0 - 5	3.0	FKM EPDM	D399CV/H D399CE/H

### Options Available

Valve Options (see coding chart)
Body threaded connection G ½"
NPT threads (minimum batch may be required)
Silver shading ring
Top port connection with spherical ½" G

Seal Material <sup>1</sup> and Media Temperature Range	Media	Ambient Temperature Range	
		Min	Max
FKM (-10 °C to +130 °C)	Water, oil, air, aggressive fluids	-10 °C	+50 °C
EPDM (-10 °C to +120 °C)	Water, hot water	-10 °C	+50 °C

<sup>1</sup> See corrosion reference guide and sealing solutions for material compatibility.



# D398/399 Series (USA)

## General Purpose – 3/2 Normally Closed

Specifications	
Function (single acting)	<p>Flow direction underseat 2 → 1</p>
Maximum Viscosity	Max. 21cST (3 °E)
Body Material (Std)	Stainless Steel AISI 303 (1.4305 EN 10088)
Orifice Material	Stainless Steel AISI 303 (1.4305 EN 10088)
Tube	Stainless Steel AISI 304
Flange	Stainless Steel AISI 303 (1.4305 EN 10088)
Plunger	Stainless Steel AISI 430F (1.4106 EN 10088)
Top Stop	Stainless Steel AISI 430F (1.4105 EN 10088)
Springs	Stainless Steel AISI 302
Seal Material (Std)	Foodgrade FKM
Connection Type	NPT
Shading Ring	Copper
Electrical Characteristics	
 Coil Voltage DC (=)	24 V
 Coil Voltage AC 50 Hz (-)	24 V, 110 V, 230 V
 Coil Voltage AC 60 Hz (-)	120 V, 240 V
Voltage Tolerance	+10% to -15% (AC)
	+10% to -5% (DC)
Duty Cycle	100% ED
Enclosure Classification	NEMA type 4 (UL 50) and IP65 (EN 60529) with plug and gasket correctly fitted *
Electrical Connection	to EN 175301 - 803 - A (ex DIN 43650)
Coil Insulation Class	155 (F) to UL429 and to EN 60730-1
Power Rating ( Coils)	AC 15 VA (holding) AC 30 VA (inrush) DC 10 W

### Features and Benefits

- Direct Acting
- Robust construction for industrial applications
- Zero pressure rated
- Stainless steel AISI 430F operators with low residual magnetism
- Choice of high quality seal materials
- Response time 5 to 25 ms



Pipe Size	Cv (gpm)	Kv (m³/h)	OPD psi (bar)		Orifice inches (mm)	Seal Material	Valve Code
			AC Voltages	DC Voltages			
¼	0.09	0.08	0 - 261 (0 - 18)	0 - 261 (0 - 18)	1/16 (1.5)	FKM EPDM	D399C_VCN D399C_ECN
¼	0.15	0.13	0 - 145 (0 - 10)	0 - 145 (0 - 10)	5/64 (2.0)	FKM EPDM	D399C_VEN D399C_EEN
¼	0.24	0.20	0 - 102 (0 - 7)	0 - 102 (0 - 7)	3/32 (2.5)	FKM EPDM	D399C_VGN D399C_EGN
¼	0.32	0.27	0 - 73 (0 - 5)	0 - 73 (0 - 5)	1/8 (3.0)	FKM EPDM	D399C_VHN D399C_EHN

### Options Available

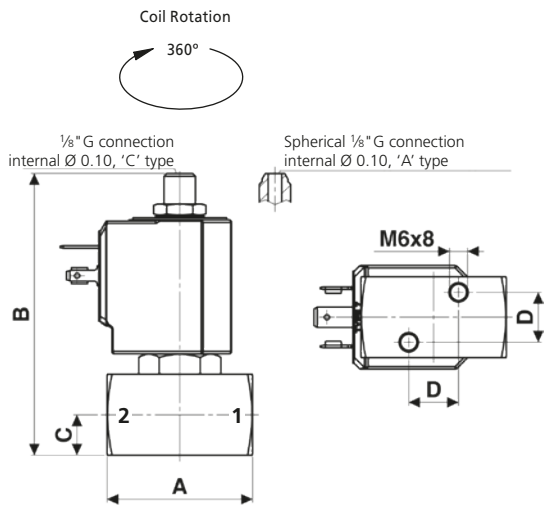
Valve Options (see coding chart)
Body threaded connection 1/8
G parallel thread (ISO 228-1)
Silver shading ring
Top port connection with spherical 1/8" G
CE coils, power DC 14W - AC 18 VA

Seal Material <sup>1</sup> and Media Temperature Range	Media	Ambient Temperature Range	
		Min	Max
FKM 14 °F to 266 °F (-10 °C to +130 °C)	Water, oil, air, aggressive fluids	14 °F (-10 °C)	122 °F (+50 °C)
EPDM 14 °F to 248 °F (-10 °C to +120 °C)	Water, hot water	14 °F (-10 °C)	122 °F (+50 °C)

<sup>1</sup> See corrosion reference guide and sealing solutions for material compatibility.

# D398/399 Series (USA)

## General Purpose – 3/2 Normally Closed



Preferred Valve Mounting Options



Pipe Size	A	B	C	D	Weight Lb (kg)
1/8 - 1/4	1.77 (45)	3.43 (87)	0.49 (12.5)	0.61 (15.4)	0.77 (0.35)

Dimensions inches (mm)

### Solenoid enclosures

#### 7--R cULus Type Coil - Insulation class F

- External material: PET 815ER Rynite®
- Electrical connection: DIN EN 175301-803 form A
- Winding insulation: Class H (P180)
- Enclosure classification: Conforms to NEMA type 4 (UL 50) and IP65 (according to EN 60529) with plug and gasket correctly fitted\*
- UL approved, file No: E193928



#### Type 600 011- Plug

- Rated Voltage (max.): 250 VAC / 300 VDC
- Nominal Current: 10A (rated) / 16A (max)
- Wire cross-section: 0.0023 inch<sup>2</sup> max (1.5 mm<sup>2</sup> max)
- Cable Entry: PG9 (0.24 to 0.31 inch / 6 to 8 mm)
- Enclosure classification: Conforms to IP65 (according to EN 60529) with supplied gasket
- Insulation class: group C- VDE 0110
- Housing colour: black
- UL approved, file No: E205538



\* Plug and gasket not supplied as standard, must be ordered separately.

### Coding chart

#### Main Valve Assembly

Pipe Size	Top port connection	Seals	Orifice	Thread Pipe	Option
8 1/8	C 1/8" G	V FKM	C 1/16	N NPT	A Silver shading ring
9 1/4	A Spherical 1/8" G	E EPDM	E 5/64	GAS	N NPT
			G 3/32		w/o option
			H 1/8		

#### Coil options

Voltage / Frequency - cULus Type, Class F	
725R	24 VDC
720R	24 V / 50Hz
740R	110 V / 50 Hz - 120 V / 60 Hz
770R	230 V / 50 Hz - 240 V / 60 Hz

Voltage / Frequency - CE Type, Class F	
7250	24 VDC
7200	24 V / 50/60 Hz
7400	110 V / 50 Hz - 120 V / 60 Hz
7600	200 V / 50 Hz - 220 V / 60 Hz
7700	230 V / 50 Hz - 240 V / 60 Hz

#### Plug

Plug
0A1 c/w plug
w/o plug

D	3	9	.	.	.	.	N	.	.	.	.	.	.	.
---	---	---	---	---	---	---	---	---	---	---	---	---	---	---

### Product coding example:

D399CECNA 770R  
1/4 NPT, auto operation, stainless steel body, EPDM seals, 1/16 orifice, with silver shading ring, 230 V / 50 Hz - 240 V / 60 Hz AC, without plug.



# D362/363 Series

## General Purpose – 3/2 Normally Closed

Specifications	
Function (single acting)	<p>Flow direction underseat 2 → 1</p>
Maximum Viscosity	Max. 21cST (3 °E)
Body Material (Std)	Brass CW617N (EN 12165)
Orifice Material	Stainless Steel 1.4305 EN 10088 (AISI 303)
Flange	Stainless Steel 1.4305 EN 10088 (AISI 303)
Tube	Stainless Steel AISI 304
Plunger	Stainless Steel 1.4106 EN 10088 (AISI 430F)
Top Stop	Stainless Steel 1.4105 EN 10088 (AISI 430F)
Springs	Stainless Steel AISI 302
Seal Material (Std)	Foodgrade FKM
Connection Type (Std)	G parallel thread (ISO 228-1)
Shading Ring	Copper
Electrical Characteristics	
Standard Coil Voltage DC (=)	24 V
Standard Coil Voltage AC 50 Hz (-)	24 V, 110 V, 200 V, 230 V
Standard Coil Voltage AC 60 Hz (-)	24 V, 120 V, 220 V, 240 V
Coil Voltage DC (=)	24 V
Coil Voltage AC 50 Hz (-)	24 V, 110 V, 230 V
Coil Voltage AC 60 Hz (-)	120 V, 240 V
Voltage Tolerance	+10% to -15% (AC)
	+10% to -5% (DC)
Duty Cycle	100% ED
Protection Class	IP65 (EN 60529) with plug and gasket correctly fitted *
Electrical Connection	to EN 175301 - 803 - A (ex DIN 43650)
Coil Insulation	Class F 155 °C
Power Rating (Standard)	AC 18 VA (holding) AC 36 VA (inrush) DC 14 W
Power Rating ()	AC 15 VA (holding) AC 30 VA (inrush) DC 10 W

### Features and Benefits

- Direct Acting
- Robust construction for industrial applications
- Zero pressure rated
- Stainless steel AISI 430F operators with low residual magnetism
- Manufactured in compliance to RoHS directive and to relevant international standards
- Choice of high quality seal materials
- Response time 5 to 25 ms



### Valve manufactured in conformity of all regulation and law CE:

- EC 1935/2004
- EC 2023/2006
- EC 10/2011 and all subsequent amended and integration
- For metal alloy, different from stainless steel, included superficial treatment in absence of specific national or international rule, the conformity is evaluated following clause 3 of regulation EC 1935/2004, using resolution of European council as guide: Metal and Alloys used in food contact 1<sup>st</sup> edition 2013
- Italian law: D.M. 174 06/04/2004 drinkable water
- Italian law: D.M. 21/03/1973 and all subsequent amended and integration

Pipe Size	Cv (gpm)	Kv (m <sup>3</sup> /h)	OPD (bar)		Orifice (mm)	Seal Material	Valve Code
			AC Voltages	DC Voltages			
¼"	0.09	0.08	0 - 18	0 - 18	1.5	FKM EPDM	D363CVC D363CEC
¼"	0.15	0.13	0 - 10	0 - 10	2.0	FKM EPDM	D363CVE D363CEE
¼"	0.24	0.20	0 - 7	0 - 7	2.5	FKM EPDM	D363CVG D363CEG
¼"	0.32	0.27	0 - 5	0 - 5	3.0	FKM EPDM	D363CVH D363CEH
¼"	0.42	0.36	0 - 3.5	0 - 3.5	4.0	FKM EPDM	D363CVL <sup>1</sup> D363CEL <sup>1</sup>
¼"	0.53	0.45	0 - 2.5	0 - 2.5	5.0	FKM EPDM	D363CVN <sup>1</sup> D363CEN <sup>1</sup>
¼"	0.56	0.48	0 - 1.5	0 - 1.5	6.0	FKM EPDM	D363CVP <sup>1</sup> D363CEP <sup>1</sup>

<sup>1</sup> Manual override not available for orifice > Ø3mm.

### Options Available

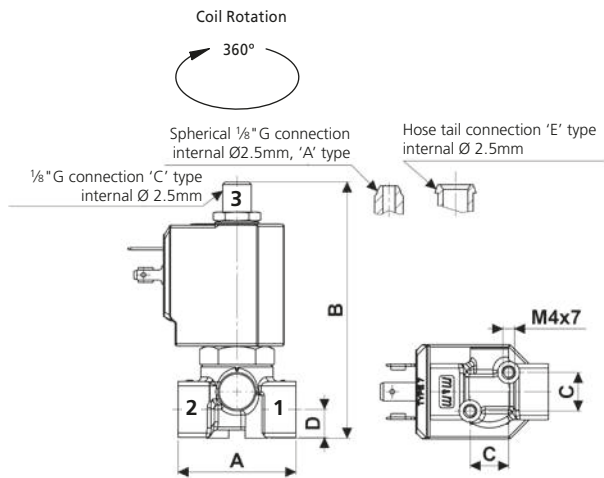
Valve Options (see coding chart)
Body threaded connection G ½"
NPT threads (minimum batch may be required)
Manual override
Vacuum Version
See Page 234

Seal Material <sup>1</sup> and Media Temperature Range	Media	Ambient Temperature Range	
		Min	Max
FKM (-10 °C to +130 °C)	Water, oil, air	-10 °C	+50 °C
EPDM (-10 °C to +120 °C)	Water, hot water	-10 °C	+50 °C

<sup>1</sup> See corrosion reference guide and sealing solutions for material compatibility.

# D362/363 Series

## General Purpose – 3/2 Normally Closed



### Preferred Valve Mounting Options



Pipe Size	A	B	C	D	Weight (kg)
1/8" - 1/4"	40	87	13	9.5	0.26

Dimensions (mm)

### Solenoid enclosures

#### 7--0 Type Coil - Insulation class F

External material: PBT (reinforced fibreglass 30%)  
 Electrical connection: DIN EN 175301-803 form A  
 Winding insulation: Class H (E180)  
 Enclosure classification: Conforms to IP65 (according to EN 60529) with plug and gasket correctly fitted\*



#### Type 600 011- Plug

Rated Voltage (max.): 250 VAC / 300 VDC  
 Nominal Current: 10A (rated) / 16A (max)  
 Wire cross-section: 1.5 mm<sup>2</sup> max  
 Cable Entry: PG9 (6 to 8 mm)  
 Enclosure classification: Conforms to IP65 (according to EN 60529) with supplied gasket



#### 7--R cULus Type Coil - Insulation class F

Encapsulation material: PET 815ER Rynite®  
 Electrical connection: DIN EN 175301-803 form A  
 Winding insulation: Class H (P180)  
 Enclosure classification: Conforms to IP65 (according to EN 60529) with plug and gasket correctly fitted\*



Insulation class: group C- VDE 0110  
 Housing colour: black  
 UL approved, file No: E205538

UL approved, file No: E193928

\* Plug and gasket not supplied as standard, must be ordered separately.

### Coding chart

#### Main Valve Assembly

Pipe Size	Top Port Connection	Seals	Orifice	Option
2 1/8"	C 1/8" G	V FKM	C 1.5	N NPT
3 1/4"	A spherical 1/8" G	E EPDM	E 2.0	M Manual Override <sup>1</sup>
	E Hose tail Ø 6mm		G 2.5	w/o option
			H 3.0	
			L 4.0	
			N 5.0	
			P 6.0	

#### Coil options

Voltage / Frequency - Class F	
7250	24 VDC
7200	24 V / 50/60 Hz
7400	110 V / 50 Hz - 120 V / 60 Hz
7600	200 V / 50 Hz - 220 V / 60 Hz
7700	230 V / 50 Hz - 240 V / 60 Hz
Voltage / Frequency - Class F - cULus approved	
725R	24 VDC
720R	24 V / 50 Hz
740R	110 V / 50 Hz - 120 V / 60 Hz
770R	230 V / 50 Hz - 240 V / 60 Hz

#### Plug

Plug
w/o plug
0A1 c/w plug

D	3	6	.	.	.	.	.	.	.	.	.	.	.	.	.	.	.
---	---	---	---	---	---	---	---	---	---	---	---	---	---	---	---	---	---

<sup>1</sup> Manual override not available for orifice > Ø3mm.

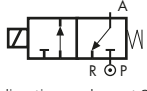




### Product coding example:

D363AVC 7250

1/4" G, auto operation, brass body, FKM seals, 1.5 mm orifice, with top port connection spherical 1/8" G, 24 VDC, without plug.

# D362/363 Series (USA)

## General Purpose – 3/2 Normally Closed

Specifications	
Function (single acting)	 Flow direction underseat 2 → 1
Maximum Viscosity	Max. 21cST (3 °E)
Body Material (Std)	Brass C37700 (UNS Designation)
Orifice Material	Stainless Steel AISI 303 (1.4305 EN 10088)
Flange	Stainless Steel AISI 303 (1.4305 EN 10088)
Tube	Stainless Steel AISI 304
Plunger	Stainless Steel AISI 430F (1.4106 EN 10088)
Top Stop	Stainless Steel AISI 430F (1.4105 EN 10088)
Springs	Stainless Steel AISI 302
Seal Material (Std)	Foodgrade FKM
Connection Type	NPT
Shading Ring	Copper
Electrical Characteristics	
 Coil Voltage DC (=)	24 V
 Coil Voltage AC 50 Hz (-)	24 V, 110 V, 230 V
 Coil Voltage AC 60 Hz (-)	120 V, 240 V
Voltage Tolerance	+10% to -15% (AC)
	+10% to -5% (DC)
Duty Cycle	100% ED
Enclosure Classification	NEMA type 4 (UL 50) and IP65 (EN 60529) with plug and gasket correctly fitted *
Electrical Connection	to EN 175301 - 803 - A (ex DIN 43650)
Coil Insulation Class	155 (F) to UL429 and to EN 60730-1
Power Rating 	AC 15 VA (holding) AC 30 VA (inrush) DC 10 W

### Features and Benefits

- Direct Acting
- Robust construction for industrial applications
- Zero pressure rated
- Stainless steel AISI 430F operators with low residual magnetism
- Choice of high quality seal materials
- Response time 5 to 25 ms



Pipe Size	Cv (gpm)	Kv (m³/h)	OPD psi (bar)		Orifice inches (mm)	Seal Material	Valve Code
			AC Voltages	DC Voltages			
¼	0.09	0.08	0 - 261 (0 - 18)	0 - 261 (0 - 18)	1/16 (1.5)	FKM EPDM	D363CVCN D363CECN
¼	0.15	0.13	0 - 145 (0 - 10)	0 - 145 (0 - 10)	5/64 (2.0)	FKM EPDM	D363CVEN D363CEEN
¼	0.24	0.20	0 - 102 (0 - 7)	0 - 102 (0 - 7)	3/32 (2.5)	FKM EPDM	D363CVGN D363CEGN
¼	0.32	0.27	0 - 73 (0 - 5)	0 - 73 (0 - 5)	1/8 (3.0)	FKM EPDM	D363CVHN D363CEHN
¼	0.42	0.36	0 - 51 (0 - 3.5)	0 - 51 (0 - 3.5)	5/32 (4.0)	FKM EPDM	D363CVLN¹ D363CELN¹

¹ Manual override not available for orifice > Ø 1/8 (3 mm).

### Options Available

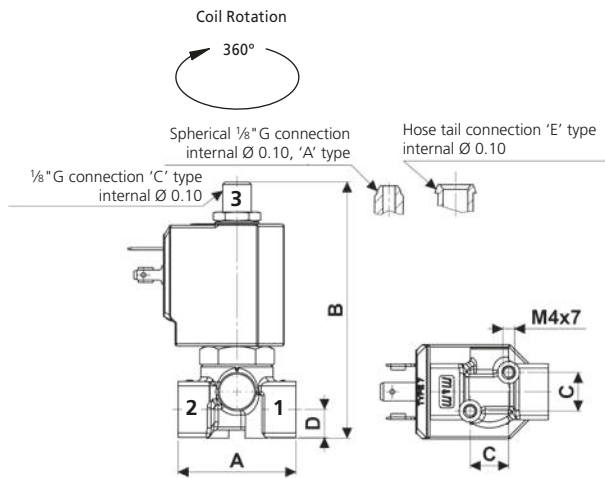
Valve Options (see coding chart)
Body threaded connection 1/8
G parallel thread (ISO 228-1)
Manual override
CE coils, power DC 14W - AC 18 VA
Vacuum Version
See separate datasheet

Seal Material² and Media Temperature Range	Media	Ambient Temperature Range	
		Min	Max
FKM 14 °F to 266 °F (-10 °C to +130 °C)	Water, oil, air	14 °F (-10 °C)	122 °F (+50 °C)
EPDM 14 °F to 248 °F (-10 °C to +120 °C)	Water, hot water	14 °F (-10 °C)	122 °F (+50 °C)

² See corrosion reference guide and sealing solutions for material compatibility.

# D362/363 Series (USA)

## General Purpose – 3/2 Normally Closed



### Preferred Valve Mounting Options



Pipe Size	A	B	C	D	Weight Lb (kg)
1/8 - 1/4	1.57 (40)	3.43 (87)	0.51 (13)	0.37 (9.5)	0.57 (0.26)

Dimensions inches (mm)

### Solenoid enclosures

#### 7--R cULus Type Coil - Insulation class F

- Encapsulation material: PET 815ER Rynite®
- Electrical connection: DIN EN 175301-803 form A
- Winding insulation: Class H (P180)
- Enclosure classification: Conforms to NEMA type 4 (UL 50) and IP65 (according to EN 60529) with plug and gasket correctly fitted\*
- UL approved, file No: E193928



#### Type 600 011- Plug

- Rated Voltage (max.): 250 VAC / 300 VDC
- Nominal Current: 10A (rated) / 16A (max)
- Wire cross-section: 0.0023 inch<sup>2</sup> max (1.5 mm<sup>2</sup> max)
- Cable Entry: PG9 (0.24 to 0.31 inch / 6 to 8 mm)
- Enclosure classification: Conforms to IP65 (according to EN 60529) with supplied gasket
- Insulation class: group C- VDE 0110
- Housing colour: black
- UL approved, file No: E205538



\* Plug and gasket not supplied as standard, must be ordered separately

### Coding chart

#### Main Valve Assembly

Pipe Size	Top port connection	Seals	Orifice	Thread Pipe	Option
2 1/8	C 1/8" G	V FKM	C 1/16	N NPT	M Manual Override <sup>1</sup>
3 1/4	A spherical 1/8" G	E EPDM	E 5/64	GAS	w/o option
	E Hose tail Ø 6mm		G 3/32		
			H 1/2		
			L 5/32		

#### Coil options

Voltage / Frequency - cULus Type, Class F	
725R	24 VDC
720R	24 V / 50 Hz
740R	110 V / 50 Hz - 120 V / 60 Hz
770R	230 V / 50 Hz - 240 V / 60 Hz
Voltage / Frequency - CE Type, Class F	
7250	24 VDC
7200	24 V / 50/60 Hz
7400	110 V / 50 Hz - 120 V / 60 Hz
7600	200 V / 50 Hz - 220 V / 60 Hz
7700	230 V / 50 Hz - 240 V / 60 Hz

#### Plug

Plug
w/o plug
0A1 c/w plug

D	3	6	.	.	.	.	N	.	.	.	.	.	.	.	.
---	---	---	---	---	---	---	---	---	---	---	---	---	---	---	---

<sup>1</sup> Manual override not available for orifice > Ø 1/8 (3 mm).

### Product coding example:

D363AVCN 725R  
1/4 NPT, auto operation, brass body, FKM seals, 1.5 mm orifice, with top port connection spherical 1/8" G, 24 VDC, without plug.

# LC203/204/205 Series

## General Purpose – 2/2 Normally Closed, Latching

Specifications	
Function (single acting)	<p>Flow direction overseat 1 → 2</p>
Maximum Viscosity	Max. 21cST (3 °E)
Body Material (Std)	Brass CW617N (EN 12165)
Flange	Stainless Steel 1.4305 EN 10088 (AISI 303)
Tube	Stainless Steel AISI 304
Plunger	Brass CW614N (EN 12164)
Magnet	Neodym-Iron-Boron
Top Stop	Stainless Steel 1.4105 EN 10088 (AISI 430F) or equivalent
Springs	Stainless Steel AISI 302
Seal Material (Std)	NBR
Connection Type (Std)	G parallel thread (ISO 228-1)
Shading Ring	Copper
Electrical Characteristics	
Low Power Coil Voltage DC (=)	24 V
Voltage Tolerance	+10% to -5% (DC)
Duty Cycle	100% ED
Protection Class	IP65 (EN 60529) with plug and gasket correctly fitted *
Electrical Connection	to industrial form B
Coil Insulation	Class F 155 °C
Power Rating (Low Power)	DC 3 W <sup>1</sup>
Coil Absorption (20 °C)	500mA for 20Q0 250mA for 21Q0 125mA for 22Q0

### Features and Benefits

- Pilot operated, latching
- Special operator with reduced stroke for low power coils
- Robust construction for industrial applications
- Stainless steel AISI 430F operators with low residual magnetism
- Manufactured in compliance to RoHS directive and to relevant international standards
- Choice of high quality seal materials
- Response time 50 to 500 ms



Pipe Size	Cv (gpm)	Kv (m <sup>3</sup> /h)	OPD (bar)		Orifice (mm)	Seal Material	Valve Code <sup>1</sup>
			AC Voltages	DC Voltages			
¼"	1.83	1.56	-	0.3 - 5	13	NBR	LC203DBZ
						FKM	LC203DVZ
						EPDM	LC203DEZ
⅜"	3.86	3.30				NBR	LC204DBZ
						FKM	LC204DVZ
						EPDM	LC204DEZ
½"	4.42	3.78				NBR	LC205DBZ
						FKM	LC205DVZ
						EPDM	LC205DEZ

<sup>1</sup> Non standard, MOQ required.

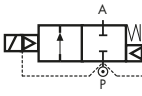
Seal Material <sup>1</sup> and Media Temperature Range	Media	Ambient Temperature Range	
		Min	Max
NBR (-10 °C to +90 °C)	Water, oil, air	-10 °C	+50 °C
FKM (-10 °C to +130 °C)	Water, oil, air	-10 °C	+50 °C
EPDM (-10 °C to +120 °C)	Water, hot water	-10 °C	+50 °C

<sup>1</sup> See corrosion reference guide and sealing solutions for material compatibility.



# LC203/204/205 Series (USA)

General Purpose – 2/2 Normally Closed, latching

Specifications	
Function (single acting)	 <p>Flow direction overseat 1 → 2</p>
Maximum Viscosity	Max. 21cST (3 °E)
Body Material (Std)	Brass C37700 (UNS Designation)
Flange	Stainless Steel AISI 303 (1.4305 EN 10088)
Tube	Stainless Steel AISI 304
Plunger	Brass C37700 (UNS Designation)
Magnet	Neodym-Iron-Boron
Top Stop	Stainless Steel AISI 430F or equivalent
Springs	Stainless Steel AISI 302
Seal Material (Std)	NBR
Connection Type	NPT
Shading Ring	Copper
Electrical Characteristics <sup>1</sup>	
Low Power Coil Voltage DC (=)	24 V
Voltage Tolerance	+10% to -5% (DC)
Duty Cycle	100% ED
Enclosure Classification	NEMA type 4 (UL 50) and IP65 (EN 60529) with plug and gasket correctly fitted *
Electrical Connection	to industrial form B
Coil Insulation Class	155 (F) to UL429 and to EN 60730-1
Power Rating (Low Power)	DC 3 W
Coil Absorption (20 °C)	500mA for 20Q0 250mA for 21Q0 125mA for 22Q0

<sup>1</sup> These coils are not UL approved.

## Features and Benefits

- Pilot operated, latching
- Special operator with reduced stroke for low power coils
- Robust construction for industrial applications
- Stainless steel AISI 430F operators with low residual magnetism
- Coils tested 100% in compliance to RoHS directive and to relevant international standards
- Choice of high quality seal materials
- Response time 50 to 500 ms



Pipe Size	Cv (gpm)	Kv (m <sup>3</sup> /h)	OPD psi (bar)		Orifice inches (mm)	Seal Material	Valve Code
			AC Voltages	DC Voltages			
1/4	1.83	1.56	-	4.4 - 73 (0.3 - 5)	33/64 (13)	NBR	LC203DBZN
						FKM	LC203DVZN
						EPDM	LC203DEZN
3/8	3.86	3.30				NBR	LC204DBZN
						FKM	LC204DVZN
						EPDM	LC204DEZN
1/2	4.42	3.78				NBR	LC205DBZN
						FKM	LC205DVZN
						EPDM	LC205DEZN

## Options Available

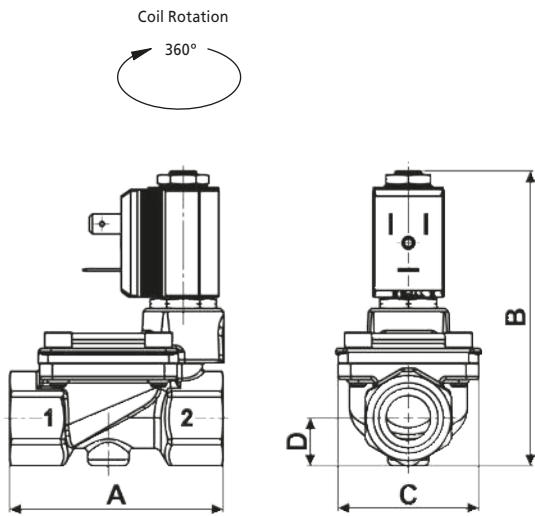
Valve Options (see coding chart)
G parallel thread (ISO 228-1)

Seal Material <sup>2</sup> and Media Temperature Range	Media	Ambient Temperature Range	
		Min	Max
NBR 14 °F to 194 °F (-10 °C to +90 °C)	Water, oil, air	14 °F (-10 °C)	122 °F (+50 °C)
FKM 14 °F to 266 °F (-10 °C to +130 °C)	Water, oil, air	14 °F (-10 °C)	122 °F (+50 °C)
EPDM 14 °F to 248 °F (-10 °C to +120 °C)	Water, hot water	14 °F (-10 °C)	122 °F (+50 °C)

<sup>2</sup> See corrosion reference guide and sealing solutions for material compatibility.

# LC203/204/205 Series (USA)

General Purpose – 2/2 Normally Closed, latching



Preferred Valve Mounting Options



Pipe Size	A	B	C	D	Weight Lb (kg)
1/4 - 3/8 - 1/2	2.64 (67)	3.54 (90)	1.80 (45.6)	0.59 (15)	0.88 (0.4)

Dimensions inches (mm)

## Solenoid enclosures

### 2-Q0 Type Coil - Insulation class F

- External material: PBT (reinforced fibreglass 30%)
- Electrical connection: Industrial form B
- Winding insulation: Class H (E180)
- Enclosure classification: Conforms to NEMA type 4 (UL 50) and IP65 (according to EN 60529) with plug and gasket correctly fitted\*



\* Plug and gasket not supplied as standard, must be ordered separately.

### Type 600 001- Plug

- Rated Voltage (max.): 250 VAC / 300 VDC
- Nominal Current: 10A (rated) / 16A (max)
- Wire cross-section: 0.0023 inch<sup>2</sup> max (1.5 mm<sup>2</sup> max)
- Cable Entry: PG9 (0.24 to 0.31 inch / 6 to 8 mm)
- Enclosure classification: Conforms to IP65 (according to EN 60529) with supplied gasket
- Insulation class: group C- VDE 0110
- Housing colour: black
- UL approved, file No: E205538



## Coding chart

### Main Valve Assembly

Pipe Size	
03	1/4
04	3/8
05	1/2

Seals	
B	NBR
V	FKM
E	EPDM

Thread Pipe	Option
N	NPT
GAS	w/o option

Voltage / Frequency - Class F, Low Power	
20Q0	6 VDC
21Q0	12 VDC
22Q0	24 VDC

Plug	
	w/o plug
0B1	c/w plug

LC	2	•	•	D	•	Z	N	•	•	•	•	•	•	•	•
----	---	---	---	---	---	---	---	---	---	---	---	---	---	---	---

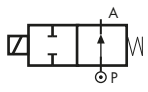
### Product coding example:

LC205DBZN 20Q0  
1/2 NPT, auto operation, brass body, NBR seals, 3/64 orifice, 6 VDC, without plug.



# RD298/299 Series

## General Purpose & High Pressure – 2/2 Normally Open

Specifications	
Function (single acting)	 <p>Flow direction overseat 1 → 2</p>
Maximum Viscosity	Max. 21cST (3 °E)
Body Material (Std)	Stainless Steel 1.4305 EN 10088 (AISI 303)
Orifice Material	Stainless Steel 1.4305 EN 10088 (AISI 303)
Flange Tube	Stainless Steel 1.4305 EN 10088 (AISI 303)
Plunger	Stainless Steel 1.4106 EN 10088 (AISI 430F)
Top Stop	Stainless Steel 1.4105 EN 10088 (AISI 430F)
Springs	Stainless Steel AISI 302
Seal Material (Std)	Foodgrade FKM
Connection Type (Std)	G parallel thread (ISO 228-1)
Shading Ring	Copper
Electrical Characteristics	
Standard Coil Voltage DC (≐)	24 V
Standard Coil Voltage AC 50 Hz (-)	24 V, 110 V, 200 V, 230 V
Standard Coil Voltage AC 60 Hz (-)	24 V, 120 V, 220 V, 240 V
Voltage Tolerance	+10% to -15% (AC)
	+10% to -5% (DC)
Duty Cycle	100% ED
Protection Class	IP65 (EN 60529) with plug and gasket correctly fitted *
Electrical Connection	to EN 175301 - 803 - A (ex DIN 43650)
Coil Insulation	Class H 180 °C
Power Rating (Standard)	AC 18 VA (holding) AC 36 VA (inrush) DC 14 W

### Features and Benefits

- Direct Acting
- Robust construction for industrial applications
- Stainless steel AISI 430F operators with low residual magnetism
- Manufactured in compliance to RoHS directive and to relevant international standards
- Choice of high quality seal materials
- Troublefree operation with coils class H
- Response time 5 to 25 ms



Pipe Size	Cv (gpm)	Kv (m³/h)	OPD (bar)		Orifice (mm)	Seal Material	Valve Code
			AC Voltages	DC Voltages			
¼"	0.04	0.04	0 - 30	0 - 30	1.0	FKM EPDM	RD299DVA RD299DEA
¼"	0.16	0.14	0 - 20	0 - 20	2.0	FKM EPDM	RD299DVE RD299DEE
¼"	0.23	0.20	0 - 14	0 - 14	2.5	FKM EPDM	RD299DVG RD299DEG
¼"	0.32	0.27	0 - 9	0 - 9	3.0	FKM EPDM	RD299DVH RD299DEH
¼"	0.04	0.04	0 - 100	0 - 100	1.0	RUBY	RD299DRA**
¼"	0.05	0.04	0 - 85	0 - 85	1.2	RUBY	RD299DRB**
¼"	0.08	0.07	0 - 55	0 - 55	1.5	RUBY	RD299DRC**
¼"	0.16	0.14	0 - 25	0 - 25	2.0	RUBY	RD299DRE**
¼"	0.23	0.20	0 - 19	0 - 19	2.5	RUBY	RD299DRG**
¼"	0.32	0.27	0 - 10	0 - 10	3.0	RUBY	RD299DRH**

\*\* Not 100% leak-proof when used with air/gases. Approx leak rate is 1.5ml/min at max OPD.

### Options Available

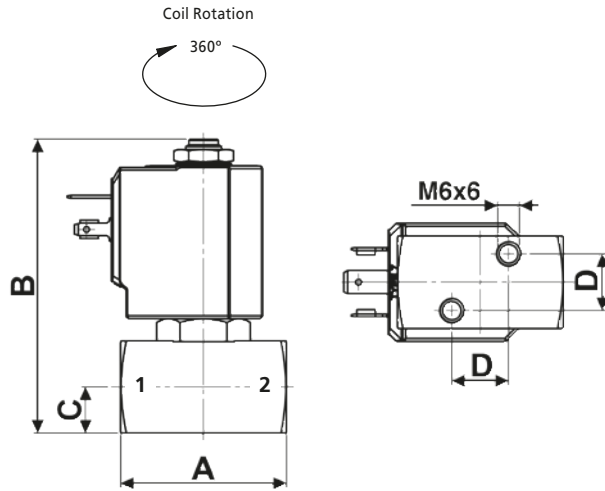
Valve Options (see coding chart)
Body threaded connection G ½"
NPT threads (minimum batch may be required)
Anticorrosion treatment recommended with aggressive fluids
Silver shading ring

Seal Material <sup>1</sup> and Media Temperature Range	Media	Ambient Temperature Range	
		Min	Max
FKM (-10 °C to +130 °C)	Water, oil, air, aggressive fluids	-10 °C	+50 °C
EPDM (-10 °C to +120 °C)	Water, hot water	-10 °C	+50 °C
RUBY (-10 °C to +130 °C)	Water, liquids	-10 °C	+50 °C

<sup>1</sup> See corrosion reference guide and sealing solutions for material compatibility.

# RD298/299 Series

## General Purpose & High Pressure – 2/2 Normally Open



Preferred Valve Mounting Options



Pipe Size	A	B	C	D	Weight (kg)
1/8" - 1/4"	45	80	12.5	15.4	0.36

Dimensions (mm)

### Solenoid enclosures

#### 7--1 Type Coil - Insulation class H

External material: PPS (fibreglass & mineral filled)  
 Electrical connection: DIN EN 175301-803 form A  
 Winding insulation: Class H (E180)  
 Enclosure classification: Conforms to IP65 (according to EN 60529) with plug and gasket correctly fitted\*



#### Type 600 011- Plug

Rated Voltage (max.): 250 VAC / 300 VDC  
 Nominal Current: 10A (rated) / 16A (max)  
 Wire cross-section: 1.5 mm<sup>2</sup> max  
 Cable Entry: PG9 (6 to 8 mm)  
 Enclosure classification: Conforms to IP65 (according to EN 60529) with supplied gasket  
 Insulation class: group C- VDE 0110  
 Housing colour: black  
 UL approved, file No: E205538



\* Plug and gasket not supplied as standard, must be ordered separately.

### Coding chart

#### Main Valve Assembly

Pipe Size	
8	1/8"
9	1/4"

Seals		Orifice <sup>1</sup>	
V	FKM	A	1.0
E	EPDM	B	1.2
R	RUBY	C	1.5
		E	2.0
		G	2.5
		H	3.0

Option	
A	Silver shading ring
F	Anticorrosion treatment <sup>2</sup>
N	NPT
	w/o option

Voltage / Frequency - Class H	
7251	24 VDC
7201	24 V / 50/60 Hz
7401	110 V / 50 Hz - 120 V / 60 Hz
7601	200 V / 50 Hz - 220 V / 60 Hz
7701	230 V / 50 Hz - 240 V / 60 Hz

#### Plug

Plug	
	w/o plug
0A1	c/w plug

RD	2	9	•	D	•	•	•	•	•	•	•	•	•	•	•	•	•	•
----	---	---	---	---	---	---	---	---	---	---	---	---	---	---	---	---	---	---

<sup>1</sup> See characteristics table for availability.

<sup>2</sup> Recommended with aggressive fluids.

### Product coding example:

RD299DVA 7251  
 1/4" G, auto operation, stainless steel body, FKM seals, 1.0 mm orifice, 24 VDC, without plug.

# RD298/299 Series (USA)

## General Purpose & High Pressure – 2/2 Normally Open

Specifications	
Function (single acting)	<p>Flow direction overseat 1 → 2</p>
Maximum Viscosity	Max. 21cST (3 °E)
Body Material (Std)	Stainless Steel AISI 303 (1.4305 EN 10088)
Orifice Material	Stainless Steel AISI 303 (1.4305 EN 10088)
Flange Tube	Stainless Steel AISI 303 (1.4305 EN 10088)
Plunger	Stainless Steel AISI 430F (1.4106 EN 10088)
Top Stop	Stainless Steel AISI 430F (1.4105 EN 10088)
Springs	Stainless Steel AISI 302
Seal Material (Std)	Foodgrade FKM
Connection Type	NPT
Shading Ring	Copper
Electrical Characteristics <sup>1</sup>	
Standard Coil Voltage DC (=)	24 V
Standard Coil Voltage AC 50 Hz (~)	24 V, 110 V, 200 V, 230 V
Standard Coil Voltage AC 60 Hz (~)	24 V, 120 V, 220 V, 240 V
Voltage Tolerance	+10% to -15% (AC)
	+10% to -5% (DC)
Duty Cycle	100% ED
Enclosure Classification	NEMA type 4 (UL 50) and IP65 (EN 60529) with plug and gasket correctly fitted *
Electrical Connection	to EN 175301 - 803 - A (ex DIN 43650)
Coil Insulation Class	180 (H) to EN 60730-1
Power Rating (Standard)	AC 18 VA (holding) AC 36 VA (inrush) DC 14 W

<sup>1</sup> These coils are not UL approved.

### Features and Benefits

- Direct Acting
- Robust construction for industrial applications
- Stainless steel AISI 430F operators with low residual magnetism
- Coils tested 100% in compliance to RoHS directive and to relevant international standards
- Choice of high quality seal materials
- Troublefree operation with coils class H
- Response time 5 to 25 ms



Pipe Size	Cv (gpm)	Kv (m³/h)	OPD psi (bar)		Orifice inches (mm)	Seal Material	Valve Code
			AC Voltages	DC Voltages			
¼	0.04	0.04	0 - 435 (0 - 30)	0 - 435 (0 - 30)	⅜ (1.0)	FKM EPDM	RD299D <del>V</del> AN RD299D <del>E</del> AN
¼	0.16	0.14	0 - 290 (0 - 20)	0 - 290 (0 - 20)	⅝ (2.0)	FKM EPDM	RD299D <del>V</del> EN RD299D <del>E</del> EN
¼	0.23	0.20	0 - 203 (0 - 14)	0 - 203 (0 - 14)	⅜ (2.5)	FKM EPDM	RD299D <del>V</del> GN RD299D <del>E</del> GN
¼	0.32	0.27	0 - 131 (0 - 9)	0 - 131 (0 - 9)	⅜ (3.0)	FKM EPDM	RD299D <del>V</del> HN RD299D <del>E</del> HN
¼	0.04	0.04	0 - 1450 (0 - 100)	0 - 1450 (0 - 100)	⅜ (1.0)	RUBY	RD299D <del>R</del> AN <sup>2</sup>
¼	0.05	0.04	0 - 1233 (0 - 85)	0 - 1233 (0 - 85)	⅜ (1.2)	RUBY	RD299D <del>R</del> BN <sup>2</sup>
¼	0.08	0.07	0 - 797 (0 - 55)	0 - 797 (0 - 55)	⅜ (1.5)	RUBY	RD299D <del>R</del> CN <sup>2</sup>
¼	0.16	0.14	0 - 362 (0 - 25)	0 - 362 (0 - 25)	⅝ (2.0)	RUBY	RD299D <del>R</del> EN <sup>2</sup>
¼	0.23	0.20	0 - 276 (0 - 19)	0 - 276 (0 - 19)	⅜ (2.5)	RUBY	RD299D <del>R</del> GN <sup>2</sup>
¼	0.32	0.27	0 - 145 (0 - 10)	0 - 145 (0 - 10)	⅜ (3.0)	RUBY	RD299D <del>R</del> HN <sup>2</sup>

<sup>2</sup> Not 100% leak-proof when used with air/gases. Approx leak rate is 1.5ml/min at max OPD.

### Options Available

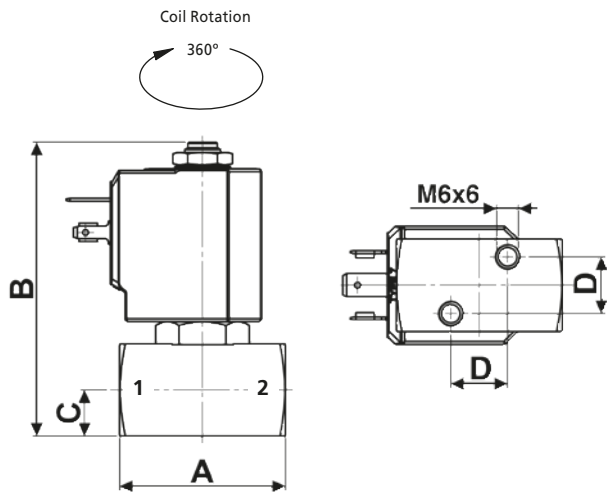
Valve Options (see coding chart)
Body threaded connection ¼
G parallel thread (ISO 228-1)
Anticorrosion treatment recommended with aggressive fluids
Silver shading ring

Seal Material <sup>3</sup> and Media Temperature Range	Media	Ambient Temperature Range	
		Min	Max
FKM 14 °F to 266 °F (-10 °C to +130 °C)	Water, oil, air, aggressive fluids	14 °F (-10 °C)	122 °F (+50 °C)
EPDM 14 °F to 248 °F (-10 °C to +120 °C)	Water, hot water	14 °F (-10 °C)	122 °F (+50 °C)
RUBY 14 °F to 266 °F (-10 °C to +130 °C)	Water, liquids	14 °F (-10 °C)	122 °F (+50 °C)

<sup>3</sup> See corrosion reference guide and sealing solutions for material compatibility.

# RD298/299 Series (USA)

General Purpose & High Pressure – 2/2 Normally Open



Preferred Valve Mounting Options



Pipe Size	A	B	C	D	Weight Lb (kg)
1/8 - 1/4	1.77 (45)	3.15 (80)	0.49 (12.5)	0.61 (15.4)	0.79 (0.36)

Dimensions inches (mm)

## Solenoid enclosures

### 7--1 Type Coil - Insulation class H

External material: PPS (fibreglass & mineral filled)  
 Electrical connection: DIN EN 175301-803 form A  
 Winding insulation: Class H (E180)  
 Enclosure classification: Conforms to NEMA type 4 (UL 50) and IP65 (according to EN 60529) with plug and gasket correctly fitted\*



\* Plug and gasket not supplied as standard, must be ordered separately.

### Type 600 011- Plug

Rated Voltage (max.): 250 VAC / 300 VDC  
 Nominal Current: 10A (rated) / 16A (max)  
 Wire cross-section: 0.0023 inch<sup>2</sup> max (1.5 mm<sup>2</sup> max)  
 Cable Entry: PG9 (0.24 to 0.31 inch / 6 to 8 mm)  
 Enclosure classification: Conforms to IP65 (according to EN 60529) with supplied gasket  
 Insulation class: group C- VDE 0110  
 Housing colour: black  
 UL approved, file No: E205538



## Coding chart

### Main Valve Assembly

Pipe Size	
8	1/8
9	1/4

Seals		Orifice <sup>1</sup>		Thread Pipe		Option	
V	FKM	A	3/64	N	NPT	A	Silver shading ring
E	EPDM	B	3/64	GAS		F	Anticorrosion treatment <sup>2</sup>
R	RUBY	C	1/16				w/o option
		E	5/64				
		G	3/32				
		H	1/8				

### Coil options

Voltage / Frequency - Class H	
7251	24 VDC
7201	24 V / 50/60 Hz
7401	110 V / 50 Hz - 120 V / 60 Hz
7601	200 V / 50 Hz - 220 V / 60 Hz
7701	230 V / 50 Hz - 240 V / 60 Hz

### Plug

Plug	
	w/o plug
0A1	c/w plug

RD	2	9	•	D	•	•	N	•	•	•	•	•	•	•	•	•	•
----	---	---	---	---	---	---	---	---	---	---	---	---	---	---	---	---	---

<sup>1</sup> See characteristics table for availability.

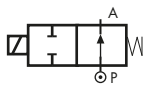
<sup>2</sup> Recommended with aggressive fluids.

## Product coding example:

RD299DVAN 7251  
 1/4 NPT, auto operation, stainless steel body, FKM seals, 3/64 orifice, 24 VDC, without plug.

# RD262/263 Series

## General Purpose – 2/2 Normally Open

Specifications	
Function (single acting)	 <p>Flow direction overseat 1 → 2</p>
Maximum Viscosity	Max. 21cST (3 °E)
Body Material (Std)	Brass (CW617N EN 12165)
Orifice Material	Stainless Steel 1.4305 EN 10088 (AISI 303)
Flange Tube	Stainless Steel 1.4305 EN 10088 (AISI 303)
Plunger	Stainless Steel 1.4106 EN 10088 (AISI 430F)
Top Stop	Stainless Steel 1.4105 EN 10088 (AISI 430F)
Springs	Stainless Steel AISI 302
Seal Material (Std)	Foodgrade FKM
Connection Type (Std)	G parallel thread (ISO 228-1)
Shading Ring	Copper
Electrical Characteristics	
Standard Coil Voltage DC (=)	24 V
Standard Coil Voltage AC 50 Hz (-)	24 V, 110 V, 200 V, 230 V
Standard Coil Voltage AC 60 Hz (-)	24 V, 120 V, 220 V, 240 V
Voltage Tolerance	+10% to -15% (AC)
	+10% to -5% (DC)
Duty Cycle	100% ED
Protection Class	IP65 (EN 60529) with plug and gasket correctly fitted *
Electrical Connection	to EN 175301 - 803 - A (ex DIN 43650)
Coil Insulation	Class H 180 °C
Power Rating (Standard)	AC 18 VA (holding) AC 36 VA (inrush) DC 14 W

### Features and Benefits

- Direct Acting
- Robust construction for industrial applications
- Stainless steel AISI 430F operators with low residual magnetism
- Manufactured in compliance to RoHS directive and to relevant international standards
- Choice of high quality seal materials
- Response time 5 to 25 ms



Pipe Size	Cv (gpm)	Kv (m³/h)	OPD (bar)		Orifice (mm)	Seal Material	Valve Code
			AC Voltages	DC Voltages			
¼"	0.04	0.03	0 - 30	0 - 30	1.0	FKM EPDM	RD263DVA RD263DEA
¼"	0.09	0.08	0 - 24	0 - 24	1.5	FKM EPDM	RD263DVC RD263DEC
¼"	0.24	0.20	0 - 16	0 - 16	2.5	FKM EPDM	RD263DVG RD263DEG
¼"	0.32	0.27	0 - 10	0 - 10	3.0	FKM EPDM	RD263DVH RD263DEH

### Options Available

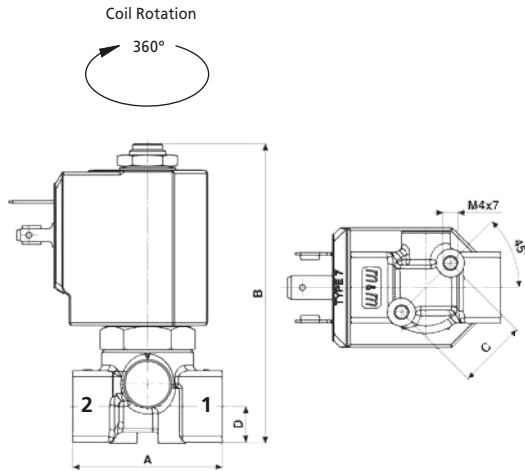
Valve Options (see coding chart)
Body threaded connection G ¼"
Electroless nickel plating
For steam version with filled PTFE seal see valve model RD236DL, see <a href="#">Page 218</a>
For high pressure version with RUBY seals see valve model RD236DR-1, see <a href="#">Page 174</a>

Seal Material <sup>1</sup> and Media Temperature Range	Media	Ambient Temperature Range	
		Min	Max
FKM (-10 °C to +130 °C)	Water, oil, air	-10 °C	+50 °C
EPDM (-10 °C to +120 °C)	Water, hot water	-10 °C	+50 °C

<sup>1</sup> See corrosion reference guide and sealing solutions for material compatibility.

# RD262/263 Series

## General Purpose – 2/2 Normally Open



### Preferred Valve Mounting Options



Pipe Size	A	B	C	D	Weight (kg)
1/8" - 1/4"	40	77.7	18.5	9.5	0.26

Dimensions (mm)

### Solenoid enclosures

#### 7--1 Type Coil - Insulation class H

- External material: PPS (fibreglass & mineral filled)
- Electrical connection: DIN EN 175301-803 form A
- Winding insulation: Class H (E180)
- Enclosure classification: Conforms to IP65 (according to EN 60529) with plug and gasket correctly fitted\*



\* Plug and gasket not supplied as standard, must be ordered separately.

#### Type 600 011- Plug

- Rated Voltage (max.): 250 VAC / 300 VDC
- Nominal Current: 10A (rated) / 16A (max)
- Wire cross-section: 1.5 mm<sup>2</sup> max
- Cable Entry: PG9 (6 to 8 mm)
- Enclosure classification: Conforms to IP65 (according to EN 60529) with supplied gasket
- Insulation class: group C- VDE 0110
- Housing colour: black
- UL approved, file No: E205538



### Coding chart

#### Main Valve Assembly

Pipe Size	
2	1/8"
3	1/4"

Seals		Orifice	
V	FKM	A	1.0
E	EPDM	C	1.5
		E	2.0
		G	2.5
		H	3.0

Option	
N	NPT
K	Electroless nickel plating
	w/o option

#### Coil options

Voltage / Frequency - Class H	
7251	24 VDC
7201	24 V / 50/60 Hz
7401	110 V / 50 Hz - 120 V / 60 Hz
7601	200 V / 50 Hz - 220 V / 60 Hz
7701	230 V / 50 Hz - 240 V / 60 Hz

#### Plug

Plug	
	w/o plug
0A1	c/w plug

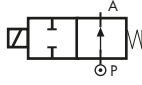
RD	2	6	.	D	.	.	.	.	.	.	.	.	.	.	.
----	---	---	---	---	---	---	---	---	---	---	---	---	---	---	---

### Product coding example:

RD263DVHK 7251 0A1  
1/4" G, auto operation, brass body, FKM seals, 3.0 mm orifice, with electroless nickel plating treatment, 24 VDC, with plug.

# RD262/263 Series (USA)

## General Purpose – 2/2 Normally Open

Specifications	
Function (single acting)	 <p>Flow direction overseat 1 → 2</p>
Maximum Viscosity	Max. 21cST (3 °E)
Body Material (Std)	Brass (CW617N EN 12165)
Orifice Material	Stainless Steel AISI 303 (1.4305 EN 10088)
Flange Tube	Stainless Steel AISI 303 (1.4305 EN 10088)
Plunger	Stainless Steel AISI 430F (1.4106 EN 10088)
Top Stop	Stainless Steel AISI 430F (1.4105 EN 10088)
Springs	Stainless Steel AISI 302
Seal Material (Std)	Foodgrade FKM
Connection Type	NPT
Shading Ring	Copper
Electrical Characteristics <sup>1</sup>	
Standard Coil Voltage DC (=)	24 V
Standard Coil Voltage AC 50 Hz (-)	24 V, 110 V, 200 V, 230 V
Standard Coil Voltage AC 60 Hz (-)	24 V, 120 V, 220 V, 240 V
Voltage Tolerance	+10% to -15% (AC)
	+10% to -5% (DC)
Duty Cycle	100% ED
Enclosure Classification	NEMA type 4 (UL 50) and IP65 (EN 60529) with plug and gasket correctly fitted *
Electrical Connection	to EN 175301 - 803 - A (ex DIN 43650)
Coil Insulation Class	180 (H) to EN 60730-1
Power Rating (Standard)	AC 18 VA (holding) AC 36 VA (inrush) DC 14 W

<sup>1</sup> These coils are not UL approved.

### Features and Benefits

- Direct Acting
- Robust construction for industrial applications
- Stainless steel AISI 430F operators with low residual magnetism
- Coils tested 100% in compliance to RoHS directive and to relevant international standards
- Choice of high quality seal materials
- Response time 5 to 25 ms



Pipe Size	Cv (gpm)	Kv (m <sup>3</sup> /h)	OPD psi (bar)		Orifice inches (mm)	Seal Material	Valve Code
			AC Voltages	DC Voltages			
¼	0.04	0.03	0 - 435 (0 - 30)	0 - 435 (0 - 30)	⅜ (1.0)	FKM EPDM	RD263D <del>V</del> AN RD263D <del>E</del> AN
¼	0.09	0.08	0 - 348 (0 - 24)	0 - 348 (0 - 24)	⅛ (1.5)	FKM EPDM	RD263D <del>V</del> CN RD263D <del>E</del> CN
¼	0.24	0.20	0 - 232 (0 - 16)	0 - 232 (0 - 16)	⅜ (2.5)	FKM EPDM	RD263D <del>V</del> GN RD263D <del>E</del> GN
¼	0.32	0.27	0 - 145 (0 - 10)	0 - 145 (0 - 10)	⅛ (3.0)	FKM EPDM	RD263D <del>V</del> HN RD263D <del>E</del> HN

### Options Available

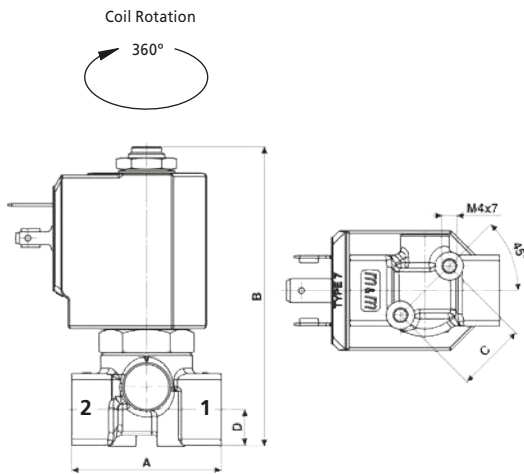
Valve Options (see coding chart)
Body threaded connection ¼
G parallel thread (ISO 228-1)
Electroless nickel plating
For steam version with filled PTFE seal see valve model RD236DL-N
For high pressure version with RUBY seals see valve model RD236DR-N1

Seal Material <sup>2</sup> and Media Temperature Range	Media	Ambient Temperature Range	
		Min	Max
FKM 14 °F to 266 °F (-10 °C to +130 °C)	Water, oil, air	14 °F (-10 °C)	122 °F (+50 °C)
EPDM 14 °F to 248 °F (-10 °C to +120 °C)	Water, hot water	14 °F (-10 °C)	122 °F (+50 °C)

<sup>2</sup> See corrosion reference guide and sealing solutions for material compatibility.

# RD262/263 Series (USA)

General Purpose – 2/2 Normally Open



Preferred Valve Mounting Options



Pipe Size	A	B	C	D	Weight Lb (kg)
1/8 - 1/4	1.57 (40)	3.06 (77.7)	0.73 (18.5)	0.37 (9.5)	0.57 (0.26)

Dimensions inches (mm)

## Solenoid enclosures

### 7--1 Type Coil - Insulation class H

- External material: PPS (fibreglass & mineral filled)
- Electrical connection: DIN EN 175301-803 form A
- Winding insulation: Class H (E180)
- Enclosure classification: Conforms to NEMA type 4 (UL 50) and IP65 (according to EN 60529) with plug and gasket correctly fitted\*



\* Plug and gasket not supplied as standard, must be ordered separately.

### Type 600 011- Plug

- Rated Voltage (max.): 250 VAC / 300 VDC
- Nominal Current: 10A (rated) / 16A (max)
- Wire cross-section: 0.0023 inch<sup>2</sup> max (1.5 mm<sup>2</sup> max)
- Cable Entry: PG9 (0.24 to 0.31 inch / 6 to 8 mm)
- Enclosure classification: Conforms to IP65 (according to EN 60529) with supplied gasket
- Insulation class: group C- VDE 0110
- Housing colour: black
- UL approved, file No: E205538



## Coding chart

### Main Valve Assembly

Pipe Size	
2	1/8
3	1/4

Seals		Orifice	
V	FKM	A	3/64
E	EPDM	C	1/16
		G	3/32
		H	1/8

Thread Pipe		Option	
N	NPT	K	Electroless nickel plating
	GAS		w/o option

Voltage / Frequency - Class H	
7251	24 VDC
7201	24 V / 50/60 Hz
7401	110 V / 50 Hz - 120 V / 60 Hz
7601	200 V / 50 Hz - 220 V / 60 Hz
7701	230 V / 50 Hz - 240 V / 60 Hz

Plug	
	w/o plug
0A1	c/w plug

RD	2	6	•	D	•	•	N	•	•	•	•	•	•	•	•	•	•	•
----	---	---	---	---	---	---	---	---	---	---	---	---	---	---	---	---	---	---

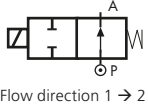
### Product coding example:

RD263DVHN 7251 0A1  
1/4 NPT, auto operation, brass body, FKM seals, 1/8 orifice, 24 VDC, with plug.



# RD236 Series

## General Purpose – 2/2 Normally Open

Specifications	
Function (single acting)	 <p>Flow direction 1 → 2</p>
Maximum Viscosity	Max. 21cST (3 °E)
Body Material (Std)	Brass CW617N (EN 12165)
Orifice Material	Stainless Steel 1.4305 EN 10088 (AISI 303)
Tube	Stainless Steel AISI 304
Flange	Stainless Steel 1.4305 EN 10088 (AISI 303)
Plunger	Stainless Steel 1.4106 EN 10088 (AISI 430F)
Top Stop	Stainless Steel 1.4105 EN 10088 (AISI 430F)
Springs	Stainless Steel AISI 302
Seal Material (Std)	Foodgrade FKM
Connection Type (Std)	G parallel thread (ISO 228-1)
Shading Ring	Copper
Electrical Characteristics	
Standard Coil Voltage DC (–)	24 V
Standard Coil Voltage AC 50 Hz (–)	24 V, 110 V, 200 V, 230 V
Standard Coil Voltage AC 60 Hz (–)	24 V, 120 V, 220 V, 240 V
Voltage Tolerance	+10% to -15% (AC)
	+10% to -5% (DC)
Duty Cycle	100% ED
Protection Class	IP65 (EN 60529) with plug and gasket correctly fitted *
Electrical Connection	to EN 175301 - 803 - A (ex DIN 43650)
Coil Insulation	Class F 155 °C
Power Rating (Standard)	AC 18 VA (holding) AC 36 VA (inrush) DC 14 W

### Features and Benefits

- Direct Acting
- Robust construction for industrial applications
- Zero pressure rated
- Stainless steel AISI 430F operators with low residual magnetism
- Manufactured in compliance to RoHS directive and to relevant international standards
- Choice of high quality seal materials
- Response time 5 to 25 ms



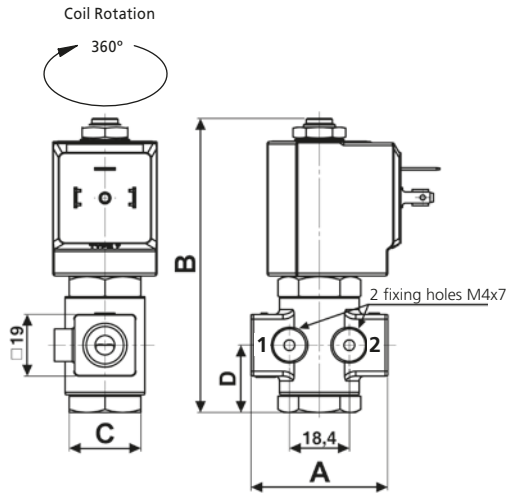
Pipe Size	Cv (gpm)	Kv (m³/h)	OPD (bar)		Orifice (mm)	Seal Material	Valve Code
			AC Voltages	DC Voltages			
¼"	0.04	0.03	0 - 25	0 - 25	1.0	FKM EPDM	RD236DVA RD236DEA
¼"	0.09	0.08	0 - 20	0 - 20	1.5	FKM EPDM	RD236DYC RD236DEC
¼"	0.14	0.12	0 - 18	0 - 18	2.0	FKM EPDM	RD236DVE RD236DEE
¼"	0.20	0.17	0 - 15	0 - 15	2.5	FKM EPDM	RD236DVG RD236DEG
¼"	0.25	0.21	0 - 12	0 - 12	3.0	FKM EPDM	RD236DVH RD236DEH
¼"	0.39	0.33	0 - 5	0 - 5	4.5	FKM EPDM	RD236DVM RD236DEM
¼"	0.60	0.51	0 - 2	0 - 2	6.0	FKM EPDM	RD236DVP RD236DEP

Seal Material <sup>1</sup> and Media Temperature Range	Media	Ambient Temperature Range	
		Min	Max
FKM (-10 °C to +130 °C)	Water, oil, air	-10 °C	+50 °C
EPDM (-10 °C to +120 °C)	Water, hot water	-10 °C	+50 °C

<sup>1</sup> See corrosion reference guide and sealing solutions for material compatibility.

# RD236 Series

General Purpose – 2/2 Normally Open



Preferred Valve Mounting Options



Pipe Size	A	B	C	D	Weight (kg)
¼"	47	91	Hex 22	20.75	0.25

Dimensions (mm)

## Solenoid enclosures

### 7--0 Type Coil - Insulation class F

- External material: PBT (reinforced fibreglass 30%)
- Electrical connection: DIN EN 175301-803 form A
- Winding insulation: Class H (E180)
- Enclosure classification: Conforms to IP65 (according to EN 60529) with plug and gasket correctly fitted\*



### Type 600 011- Plug

- Rated Voltage (max.): 250 VAC / 300 VDC
- Nominal Current: 10A (rated) / 16A (max)
- Wire cross-section: 1.5 mm<sup>2</sup> max
- Cable Entry: PG9 (6 to 8mm)
- Enclosure classification: Conforms to IP65 (according to EN 60529) with supplied gasket
- Insulation class: group C- VDE 0110
- Housing colour: black
- UL approved, file No: E205538



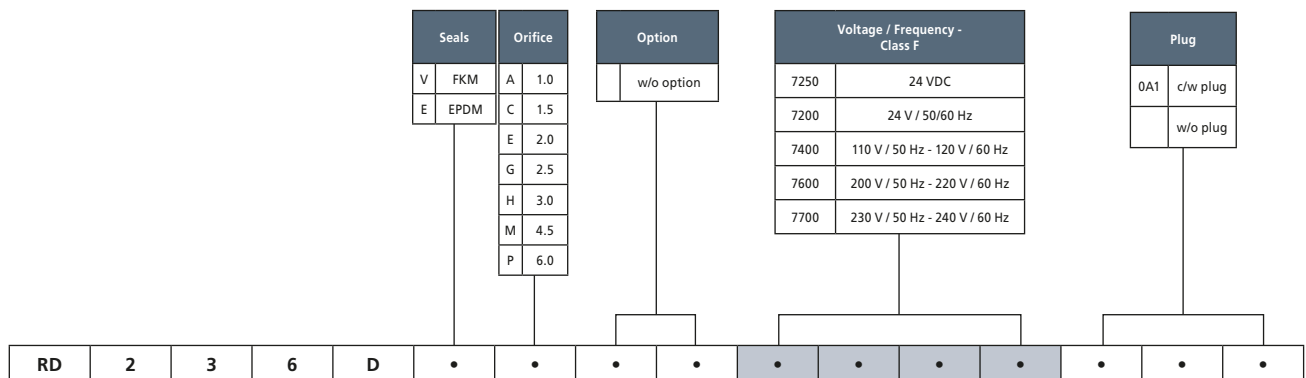
\* Plug and gasket not supplied as standard, must be ordered separately.

## Coding chart

### Main Valve Assembly

### Coil options

### Plug



## Product coding example:

RD236DVC 7200 0A1  
¼" G, auto operation, brass body, FKM seals, 1.5 mm orifice, 24 V / 50 Hz/60 Hz AC, with plug.

# RD236 Series (USA)

## General Purpose – 2/2 Normally Open

Specifications	
Function (single acting)	<p>Flow direction 1 → 2</p>
Maximum Viscosity	Max. 21cST (3 °E)
Body Material (Std)	Brass C37700 (UNS Designation)
Orifice Material	Stainless Steel AISI 303 (1.4305 EN 10088)
Tube	Stainless Steel AISI 304
Flange	Stainless Steel AISI 303 (1.4305 EN 10088)
Plunger	Stainless Steel AISI 430F (1.4106 EN 10088)
Top Stop	Stainless Steel AISI 430F (1.4105 EN 10088)
Springs	Stainless Steel AISI 302
Seal Material (Std)	Foodgrade FKM
Connection Type (Std)	G parallel thread (ISO 228-1)
Shading Ring	Copper
Electrical Characteristics <sup>1</sup>	
Standard Coil Voltage DC (=)	24 V
Standard Coil Voltage AC 50 Hz (-)	24 V, 110 V, 200 V, 230 V
Standard Coil Voltage AC 60 Hz (-)	24 V, 120 V, 220 V, 240 V
Voltage Tolerance	+10% to -15% (AC)
	+10% to -5% (DC)
Duty Cycle	100% ED
Enclosure Classification	NEMA type 4 (UL 50) and IP65 (EN 60529) with plug and gasket correctly fitted *
Electrical Connection	to EN 175301 - 803 - A (ex DIN 43650)
Coil Insulation Class	155 (F) to EN 60730-1
Power Rating (Standard)	AC 18 VA (holding) AC 36 VA (inrush) DC 14 W

<sup>1</sup> These coils are not UL approved.

### Features and Benefits

- Direct Acting
- Robust construction for industrial applications
- Zero pressure rated
- Stainless steel AISI 430F operators with low residual magnetism
- Choice of high quality seal materials
- Response time 5 to 25 ms



Pipe Size	Cv (gpm)	Kv (m <sup>3</sup> /h)	OPD psi (bar) <sup>2</sup>		Orifice inches (mm)	Seal Material	Valve Code
			AC Voltages	DC Voltages			
¼"	0.04	0.03	0 - 362 (0 - 25)	0 - 362 (0 - 25)	⅜ (1.0)	FKM EPDM	RD236DVA RD236DEA
¼"	0.09	0.08	0 - 290 (0 - 20)	0 - 290 (0 - 20)	1/16 (1.5)	FKM EPDM	RD236DVC RD236DEC
¼"	0.14	0.12	0 - 261 (0 - 18)	0 - 261 (0 - 18)	⅝ (2.0)	FKM EPDM	RD236DVE RD236DEE
¼"	0.20	0.17	0 - 218 (0 - 15)	0 - 218 (0 - 15)	⅜ (2.5)	FKM EPDM	RD236DVG RD236DEG
¼"	0.25	0.21	0 - 174 (0 - 12)	0 - 174 (0 - 12)	1/8 (3.0)	FKM EPDM	RD236DVH RD236DEH
¼"	0.39	0.33	0 - 73 (0 - 5)	0 - 73 (0 - 5)	11/64 (4.5)	FKM EPDM	RD236DVM RD236DEM
¼"	0.60	0.51	0 - 29 (0 - 2)	0 - 29 (0 - 2)	15/64 (6.0)	FKM EPDM	RD236DVP RD236DEP

<sup>2</sup> The valve supplied carry a nameplate with pressure ratings marked in bar.

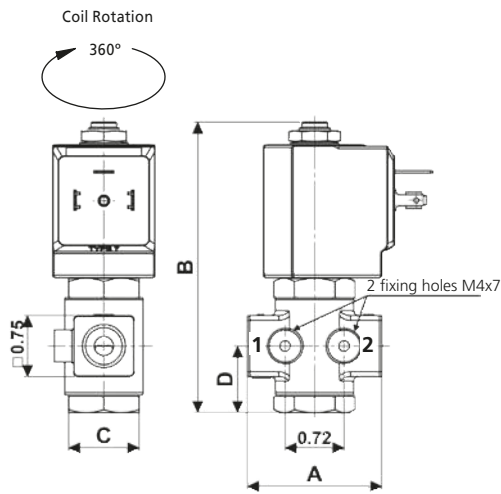
### Options Available

Seal Material <sup>3</sup> and Media Temperature Range	Media	Ambient Temperature Range	
		Min	Max
FKM 14 °F to 266 °F (-10 °C to +130 °C)	Water, oil, air	14 °F (-10 °C)	122 °F (+50 °C)
EPDM 14 °F to 248 °F (-10 °C to +120 °C)	Water, hot water	14 °F (-10 °C)	122 °F (+50 °C)

<sup>3</sup> See corrosion reference guide and sealing solutions for material compatibility.

# RD236 Series (USA)

General Purpose – 2/2 Normally Open



Preferred Valve Mounting Options



Pipe Size	A	B	C	D	Weight Lb (kg)
¼" G	1.85 (47)	2.58 (91)	HEX 22 (22)	0.82 (20.75)	0.55 (0.25)

Dimensions inches (mm)

## Solenoid enclosures

### 7--0 Type Coil - Insulation class F

- External material: PBT (reinforced fibreglass 30%)
- Electrical connection: DIN EN 175301-803 form A
- Winding insulation: Class H (E180)
- Enclosure classification: Conforms to NEMA type 4 (UL 50) and IP65 (according to EN 60529) with plug and gasket correctly fitted\*



\* Plug and gasket not supplied as standard, must be ordered separately.

### Type 600 011- Plug

- Rated Voltage (max.): 250 VAC / 300 VDC
- Nominal Current: 10A (rated) / 16A (max)
- Wire cross-section: 0.0023 inch<sup>2</sup> max (1.5 mm<sup>2</sup> max)
- Cable Entry: PG9 (0.24 to 0.31 inch / 6 to 8 mm)
- Enclosure classification: Conforms to IP65 (according to EN 60529) with supplied gasket
- Insulation class: group C- VDE 0110
- Housing colour: black
- UL approved, file No: E205538



## Coding chart

### Main Valve Assembly

Seals		Orifice	
V	FKM	A	3/64
E	EPDM	C	1/16
		E	5/64
		G	3/32
		H	1/8
		M	11/64
		P	15/64

Option
w/o option

### Coil options

Voltage / Frequency - CE Type, Class F	
7250	24 VDC
7200	24 V / 50/60 Hz
7400	110 V / 50 Hz - 120 V / 60 Hz
7600	200 V / 50 Hz - 220 V / 60 Hz
7700	230 V / 50 Hz - 240 V / 60 Hz

### Plug

Plug	
0A1	c/w plug
	w/o plug

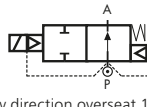
RD	2	3	6	D	.	.	.	.	.	.	.	.	.	.	.	.	.
----	---	---	---	---	---	---	---	---	---	---	---	---	---	---	---	---	---

## Product coding example:

RD236DVC 7200 0A1  
¼" G, auto operation, brass body, FKM seals, 1/16 orifice, 24 V / 50 Hz AC, with plug.

# RB203/204/205/206/222 Series

## General Purpose – 2/2 Normally Open

Specifications	
Function (single acting)	 <p>Flow direction overseat 1 → 2</p>
Maximum Viscosity	Max. 21cST (3 °E)
Body Material (Std)	Brass CW617N (EN 12165)
Flange Tube <sup>1</sup>	Brass CW614N (EN 12164)
Plunger and Top Stop	Stainless Steel 1.4105 EN 10088 (AISI 430F) or equivalent
Springs	Stainless Steel AISI 302
Seal Material (Std)	NBR
Connection Type (Std)	G parallel thread (ISO 228-1)
Shading Ring	Copper
Electrical Characteristics	
Standard Coil Voltage DC (≐)	24 V
Standard Coil Voltage AC 50 Hz (-)	24 V, 110 V, 200 V, 230 V
Standard Coil Voltage AC 60 Hz (-)	24 V, 120 V, 220 V, 240 V
Voltage Tolerance	+10% to -15% (AC)
	+10% to -5% (DC)
Duty Cycle	100% ED
Protection Class	IP65 (EN 60529) with plug and gasket correctly fitted *
Electrical Connection	to industrial form B
Coil Insulation	Class F 155 °C
Power Rating (Standard)	AC 10 VA (holding) AC 16 VA (inrush) DC 7 W

<sup>1</sup> With special brass nut for NO operator (different from Standard).

### Features and Benefits

- Pilot operated
- Robust construction for industrial applications
- Stainless steel AISI 430F operators with low residual magnetism
- Manufactured in compliance to RoHS directive and to relevant international standards
- Choice of high quality seal materials
- Response time 50 to 500 ms



Pipe Size	Cv (gpm)	Kv (m³/h)	OPD (bar)		Orifice (mm)	Seal Material	Valve Code	
			AC Voltages	DC <sup>3</sup> Voltages				
¼"	1.83	1.56	0.3 - 16	0.3 - 16	13	NBR	RB203DBZ	
						FKM	RB203DYZ	
						EPDM	RB203DEZ	
⅜"	3.86	3.30			21	25	NBR	RB204DBZ
							FKM	RB204DYZ
							EPDM	RB204DEZ
½"	4.42	3.78	25	25	NBR	RB205DBZ		
					FKM	RB205DYZ		
					EPDM	RB205DEZ		
¾" compact	7.02	6.00	25	25	NBR	RB206DBX		
					FKM	RB206DYX		
					EPDM	RB206DEX		
¾"	9.83	8.40	25	25	FNBR	RB206DBY <sup>2</sup>		
					FKM	RB206DY <sup>2</sup>		
					EPDM	RB206DEY <sup>2</sup>		
1"	11.23	9.60	25	25	NBR	RB222DBY		
					FKM	RB222DY		
					EPDM	RB222DEY		

<sup>2</sup> Non standard, MOQ required.

<sup>3</sup> For continuous service in DC we recommend the use of M&M coils 10 Watt, class H (example 24 VDC 10W class H code 22V1, see options on [Page 300](#)).

### Options Available

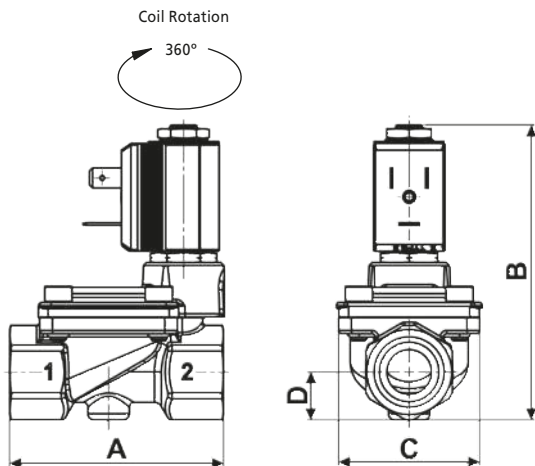
Valve Options (see coding chart)
NPT threads (minimum batch may be required)
Electroless nickel plating treatment
Speed control screw

Seal Material <sup>3</sup> and Media Temperature Range	Media	Ambient Temperature Range	
		Min	Max
NBR (-10 °C to +90 °C)	Water, oil, air	-10 °C	+50 °C
FKM (-10 °C to +130 °C)	Water, oil, air	-10 °C	+50 °C
EPDM (-10 °C to +120 °C)	Water, hot water	-10 °C	+50 °C

<sup>3</sup> See corrosion reference guide and sealing solutions for material compatibility.

# RB203/204/205/206/222 Series

General Purpose – 2/2 Normally Open



Preferred Valve Mounting Options



Pipe Size	A	B	C	D	Weight (kg)
1/4" - 3/8" - 1/2"	67	92.5	45.6	15	0.4
3/4" compact	82	107.5	51.6	20.25	0.6
3/4" to 1"	96	117.5	72	23	1.2

Dimensions (mm)

## Solenoid enclosures

### 2--0 Type Coil - Insulation class F

External material: PBT (reinforced fibreglass 30%)  
 Electrical connection: Industrial form B  
 Winding insulation: Class H (E180)  
 Enclosure classification: Conforms to IP65 (according to EN 60529) with plug and gasket correctly fitted\*



### Type 600 001- Plug

Rated Voltage (max.): 250 VAC / 300 VDC  
 Nominal Current: 10A (rated) / 16A (max)  
 Wire cross-section: 1.5 mm<sup>2</sup> max  
 Cable Entry: PG9 (6 to 8 mm)  
 Enclosure classification: Conforms to IP65 (according to EN 60529) with supplied gasket  
 Insulation class: group C- VDE 0110  
 Housing colour: black  
 UL approved, file No: E205538



\* Plug and gasket not supplied as standard, must be ordered separately.

## Coding chart

### Main Valve Assembly

Pipe Size	
03	1/4"
04	3/8"
05	1/2"
06	3/4" (compact)
06	3/4" 1
22	1"

Seals	Orifice <sup>2</sup>
B NBR	Z 13
V FKM	X 21
E EPDM	Y 25

Option	
N	NPT
K	Electroless nickel plating
V	Speed control screw <sup>3</sup>
	w/o option

Voltage / Frequency - Class F	
2250	24 VDC
2200	24 V / 50/60 Hz
2400	110 V / 50 Hz - 120 V / 60 Hz
2600	200 V / 50 Hz - 220 V / 60 Hz
2700	230 V / 50 Hz - 240 V / 60 Hz

Plug	
	w/o plug
0B1	c/w plug

RB	2	.	.	D	.	.	.	.	.	.	.	.	.	.	.	.
----	---	---	---	---	---	---	---	---	---	---	---	---	---	---	---	---

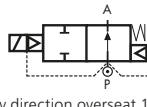




<sup>1</sup> Non standard, MOQ required.  
<sup>2</sup> DN13 only for RB203/204/205, DN21 only for RB206 compact, DN25 only for RB206 and RB222.  
<sup>3</sup> Speed control screw available on RB206D-Y and RB222D-Y.

### Product coding example:

RB203DBZ 2250  
 1/4" G, auto operation, brass body, NBR seals, 13 mm orifice, 24 VDC, without plug.

# RB203/204/205/206/222 Series (USA)

## General Purpose – 2/2 Normally Open

Specifications	
Function (single acting)	 <p>Flow direction overseat 1 → 2</p>
Maximum Viscosity	Max. 21cST (3 °E)
Body Material (Std)	Brass C37700 (UNS Designation)
Flange Tube <sup>1</sup>	Brass C37700 (UNS Designation)
Plunger and Top Stop	Stainless Steel AISI 430F or equivalent
Springs	Stainless Steel AISI 302
Seal Material (Std)	NBR
Connection Type	NPT
Shading Ring	Copper
Electrical Characteristics	
 Coil Voltage DC (=)	24 V
 Coil Voltage AC 50 Hz (-)	24 V, 110 V, 230 V
 Coil Voltage AC 60 Hz (-)	120 V, 240 V
Voltage Tolerance	+10% to -15% (AC)
	+10% to -5% (DC)
Duty Cycle	100% ED
Enclosure Classification	NEMA type 4 (UL 50) and IP65 (EN 60529) with plug and gasket correctly fitted *
Electrical Connection	to industrial form B
Coil Insulation Class	155 (F) to UL429 and to EN 60730-1
Power Rating (  Coils)	AC 9 VA (holding) AC 14 VA (inrush) DC 6W

<sup>1</sup> With special brass nut for NO operator (different from Standard).

### Features and Benefits

- Pilot operated
- Robust construction for industrial applications
- Stainless steel AISI 430F operators with low residual magnetism
- Choice of high quality seal materials
- Response time 50 to 500 ms



Pipe Size	Cv (gpm)	Kv (m³/h)	OPD psi (bar)		Orifice inches (mm)	Seal Material	Valve Code
			AC Voltages	DC Voltages			
1/4"	1.83	1.56	4 - 232 (0.3 - 16)	4 - 232 (0.3 - 16)	33/64 (13)	NBR	RB203DBZN
3/8"	3.86	3.30				FKM	RB203DVZN
						EPDM	RB203DEZN
1/2"	4.42	3.78			NBR	RB204DBZN	
3/4" compact	7.02	6.00			FKM	RB204DVZN	
					EPDM	RB204DEZN	
3/4"	9.83	8.40	53/64 (21)	63/64 (25)	NBR	RB205DBZN	
					FKM	RB205DVZN	
EPDM	RB205DEZN						
1	11.23	9.60			NBR	RB206DBXN	
					FKM	RB206DVXN	
EPDM	RB206DEXN						
			NBR	RB206DBYN			
			FKM	RB206DYYN			
			EPDM	RB206DEYN			

### Options Available

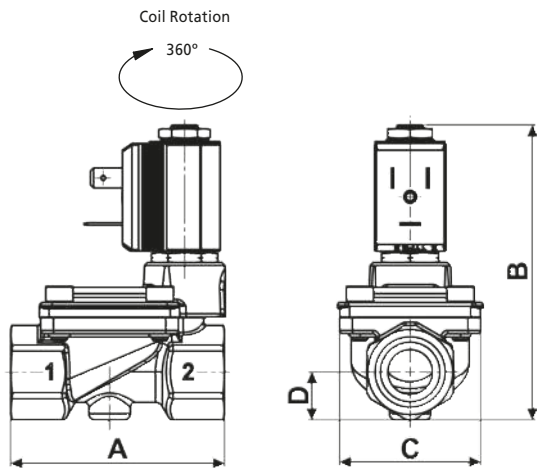
Valve Options (see coding chart)
G parallel thread (ISO 228-1)
Electroless nickel plating treatment
Speed control screw
CE coils, power DC 7W - AC 10 VA

Seal Material <sup>2</sup> and Media Temperature Range	Media	Ambient Temperature Range	
		Min	Max
NBR 14 °F to 194 °F (-10 °C to +90 °C)	Water, oil, air	14 °F (-10 °C)	122 °F (+50 °C)
FKM 14 °F to 266 °F (-10 °C to +130 °C)	Water, oil, air	14 °F (-10 °C)	122 °F (+50 °C)
EPDM 14 °F to 248 °F (-10 °C to +120 °C)	Water, hot water	14 °F (-10 °C)	122 °F (+50 °C)

<sup>2</sup> See corrosion reference guide and sealing solutions for material compatibility.

# RB203/204/205/206/222 Series (USA)

General Purpose – 2/2 Normally Open



Preferred Valve Mounting Options



Pipe size	A	B	C	D	Weight Lb (kg)
1/4 - 3/8 - 1/2	2.64 (67)	3.64 (92.5)	1.80 (45.6)	0.59 (15)	0.88 (0.4)
3/4 compact	3.23 (82)	4.23 (107.5)	2.03 (51.6)	0.80 (20.25)	1.32 (0.6)
3/4 to 1	3.78 (96)	4.63 (117.5)	2.83 (72)	0.91 (23)	2.65 (1.2)

Dimensions inches (mm)

## Solenoid enclosures

### 2-R c/us Type Coil - Insulation class F

External material: PET 815ER Rynite®  
 Electrical connection: Industrial form B  
 Winding insulation: Class H (P180)  
 Enclosure classification: Conforms to NEMA type 4 (UL 50) and IP65 (according to EN 60529) with plug and gasket correctly fitted\*  
 UL approved, file No: E193928



### Type 600 001- Plug

Rated Voltage (max.): 250 VAC / 300 VDC  
 Nominal Current: 10A (rated) / 16A (max)  
 Wire cross-section: 0.0023 inch<sup>2</sup> max (1.5 mm<sup>2</sup> max)  
 Cable Entry: PG9 (0.24 to 0.31 inch / 6 to 8 mm)  
 Enclosure classification: Conforms to IP65 (according to EN 60529) with supplied gasket  
 Insulation class: group C- VDE 0110  
 Housing colour: black  
 UL approved, file No: E205538



\* Plug and gasket not supplied as standard, must be ordered separately

## Coding chart

### Main Valve Assembly

Pipe Size	
03	1/4
04	3/8
05	1/2
06	3/4 (compact)
06	3/4
22	1

Seals		Orifice <sup>1</sup>	
B	NBR	Z	33/64
V	FKM	X	53/64
E	EPDM	Y	63/64

Thread Pipe		Option	
N	NPT	K	Electroless nickel plating
GAS		V	Speed control screw <sup>2</sup>
			w/o option

### Coil options

Voltage / Frequency - c/us Type, Class F	
225R	24 VDC
220R	24 V / 50 Hz
240R	110 V / 50 Hz - 120 V / 60 Hz
270R	230 V / 50 Hz - 240 V / 60 Hz

Voltage / Frequency - CE Type, Class F	
2250	24 VDC
2200	24 V / 50/60 Hz
2400	110 V / 50 Hz - 120 V / 60 Hz
2600	200 V / 50 Hz - 220 V / 60 Hz
2700	230 V / 50 Hz - 240 V / 60 Hz

### Plug

Plug	
	w/o plug
0B1	c/w plug

RB	2	.	.	D	.	.	N	.	.	.	.	.	.	.	.
----	---	---	---	---	---	---	---	---	---	---	---	---	---	---	---

<sup>1</sup> DN 33/64 only for RB203/204/205, DN 53/64 only for RB206 compact, DN 63/64 only for RB206 and RB222.

<sup>2</sup> Speed control screw available on RB206D-YN and RB222D-YN.

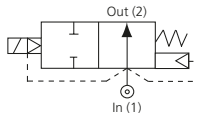
## Product coding example:

RB203DBZN 225R  
 1/4 NPT, auto operation, brass body, NBR seals, 33/64 orifice, 24 VDC, without plug.



# ACDN Series

## - 2/2 Normally Open

Specifications	
Function	Normally Open, energise to close 
Maximum Viscosity	115 SSU
3/8" - 1" Body Material (Std)	Brass CZ122
1 1/4" - 2" Body Material (Std)	Bronze DIN1705
Flange Tube	Stainless Steel 303
Plunger and Top Stop	Stainless Steel 430FR
Springs	Stainless Steel 302
Seal Material (Std)	NBR
Connection Type (Std)	BS21
Shading Ring	Copper (std), Silver (stainless steel option)
Electrical Characteristics	
Coil Voltage DC (=)	12 V, 24 V, 110 V
Coil Voltage AC 50 Hz (-)	24 V, 110 V, 120 V, 230 V
Coil Voltage AC 60 Hz (-)	24 V, 110 V, 120 V, 220 V
Voltage Tolerance	+10% or -10%
Duty Cycle	100% ED
Protection Class	IP65 (BS EN 60529) (plug supplied as standard)
Electrical Connection	PG9 Din Connector DIN 43650/ISO 4400 (EN 175301-803) Form 'A'
Coil Insulation	Class H (BS EN 60085) 180 °C (E5 Type)
Power Rating	14.5 Watts, 19 VA

### Features and Benefits

- Robust Valve Design
- Diaphragm Operation
- Fully Ported Orifices for high Kv
- Choice of valve body material and seals
- Response time 1" 15-60 ms
- Response time 2" 60-120 ms



Pipe Size	Cv (gpm)	Kv (m³/h)	OPD (Bar)		P. Max <sup>2</sup> Bar	Orifice (mm)	Weight (kg)
			AC Voltages	DC Voltages			
3/8"	3.5	3.0	0-10	0-10	50	16.00	0.9
1/2"	4.9	4.2	0-10	0-10		16.00	0.9
3/4"	5.4	4.7	0-10	0-10		16.00	0.9
1"	8.2	7.0	0-10	0-10		20.00	1.2
1 1/4"	26.7	23	0.3-10	0.3-10		40.00	3.0
1 1/2"	26.7	23	0.3-10	0.3-10		40.00	3.0
2"	30.2	26	0.3-10	0.3-10		40.00	3.0

<sup>2</sup> P. Max is limited to 46.5 Bar when valve is fitted with an Exd solenoid operator, see separate datasheet.

### Options Available

Exd & Exm Solenoid Enclosure	
Protection Class	
Exd T6 (IP67)	See separate datasheet
Exd T4 (IP67)	
Exm T5 (IP65)	

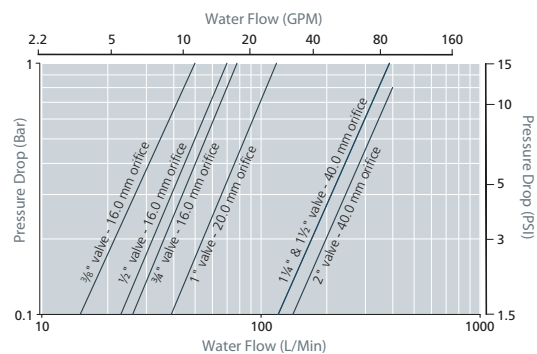
Seal Material <sup>1</sup> and Media Temp. Range	Ambient Temperature Range °C	
	Min	Max
NBR (-10 °C to +80 °C)	-10	50
EPDM (-50 °C to +120 °C)	-10	50
FKM (-20 °C to +150 °C)	-10	50

Main Valve Body Options
Stainless Steel 316 (available up to and including 1")
NPT threads
Flanged Option (PN16 Std) for alternative options consult Rotork Midland
Oxygen cleaning (consult Rotork Midland for product code)

<sup>1</sup> See corrosion reference guide and sealing solutions for material compatibility.

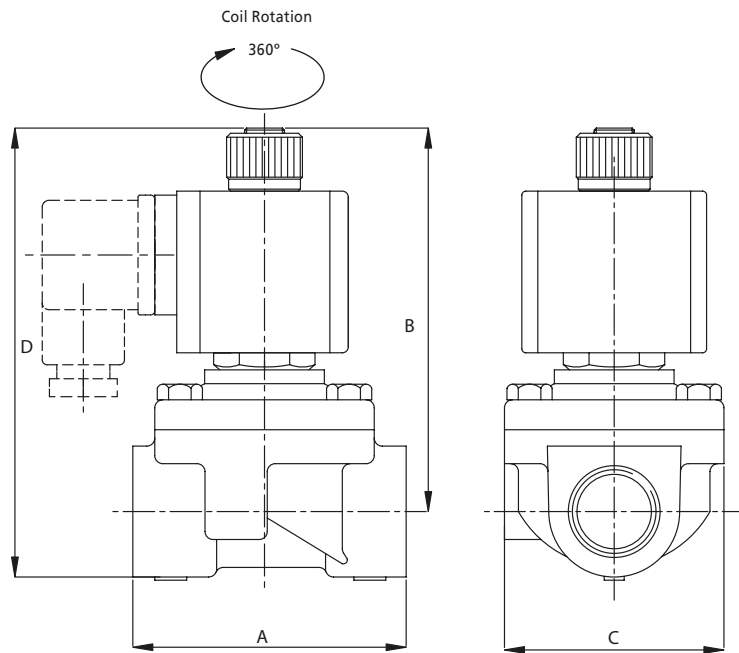
### How to use the flow chart

1. Select the required flow.
2. Note the corresponding pressure drop.
3. Based on where the two points intersect select the most appropriate model.

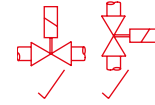


# ACDN Series

- 2/2 Normally Open



Preferred Valve Mounting Options



### Dimensions

Pipe Size	A	B	C	D
3/8" - 3/4"	69.5	80	75	97
1"	85	80	75	126
1 1/4" - 2"	137	103	120	136

Dimensions given in mm

### Solenoid enclosures



#### E5 Type enclosure protection class IP65

- External material: Glass reinforced nylon
- Electrical connection: DIN Plug to ISO 4400
- Winding insulation: Class H
- Enclosure: Conforms to IP65 when correct plug gasket is fitted as supplied

### Coding chart

#### Main Valve Assembly

Model	Valve Body Conn. Size	Connection Type	Operation
27	ACDN (1 1/4 and above)	C 3/8"	1 BS21
56	ACDN (3/8"-1")	D 1/2"	2 BSP G (1 1/4" and above)
		E 3/4"	
		F 1"	3 NPT
		G 1 1/4"	
		H 1 1/2"	
		J 2"	4 FLANGED (PN16 STD)

Body Material	Seals	Style
1 Brass (standard on valves up to and including 1")	A NBR	1 Standard
	B EPDM	
	C FKM	
2 Bronze (standard on valves above 1")		
5 316 Stainless Steel (option available up to and inc 1")		

#### Coil options

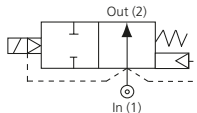
Enclosure	Voltage / Frequency	Electrical Connection	Label
1 Weather proof IP65	A1 230 V / 50 Hz	1 DIN plug 9 mm	48 N/O Module
	A2 110 V / 50 Hz & 120 V / 60 Hz		
	A3 24 V / 50 Hz		
	A7 220 V / 50 Hz		
	B2 24 VDC		
B3 12 VDC			
B5 110 VDC			

#### Product coding example:

27G21Z2A1-1A1148 - ACDN Series  
N/O 1 1/4" BSPG, auto operation, bronze body, NBR seals, 230 V / 50 Hz DIN Plug 9 mm.

# ACDN Series (USA)

## - 2/2 Normally Open

Specifications	
Mode of Operation	Normally Open, energise to close 
Maximum Viscosity	115 SSU
3/8" - 1" Body Material (Std)	Brass (Std) or Stainless Steel option
1 1/4" - 2" Body Material (Std)	Bronze (Std)
Flange Tube	Stainless Steel
Plunger and top stop	Stainless Steel
Springs	Stainless Steel
Seal Material	Nitrile (BunaN) (Std) other options available
Connection Type	NPT
Shading Ring	Copper (std), Silver (stainless steel option)
Electrical Characteristics	
Coil Voltage DC (-)	12 V, 24 V
Coil Voltage AC 60 Hz (-)	24 V, 120 V
Voltage Tolerance	+10% or -10%
Duty Cycle	100% ED
Electrical Connection Options	1/2" NPT metal conduit hub with 18" leads (NEMA 2 equivalent protection class)
Coil Insulation	Class H
Power Rating	14.5 Watts

### Features and Benefits

- Robust Valve Design
- Diaphragm Operation
- Fully Ported Orifices for high flow
- Choice of valve body materials and seals
- Sizes 3/8" - 3/4" Advantica approved to BS EN 60730 - 2 -8 for household use when used with EPDM seals
- Response time 1" 15-60 ms
- Response time 2" 60-120 ms
- Tested in accordance with BS-EN 12266-1
- Viton seals are suitable for the following media: air, water, inert gases, fuel oils (No.2 or lighter)
- Nitrile, EPDM, PTFE seals are suitable for the following media: air, water, inert gases



Port Size	Cv	Kv	OPD (psi)		P. Max <sup>2</sup> psi	Orifice (mm)	Weight (lbs)
			AC Voltages	DC Voltages			
3/8"	3.5	3.0	0-150	0-150	725	16.0	2
1/2"	4.9	4.2	0-150	0-150		16.0	2
3/4"	5.4	4.7	0-150	0-150		16.0	2
1"	8.2	7.0	0-150	0-150		20.0	4
1 1/4"	26.7	23	5-150	5-150		40.0	6.6
1 1/2"	26.7	23	5-150	5-150		40.0	6.6
2"	30.2	26	5-150	5-150		40.0	6.6

<sup>2</sup> P. Max is limited to 675 psi when valve is fitted with an Exd solenoid operator, see separate datasheet.

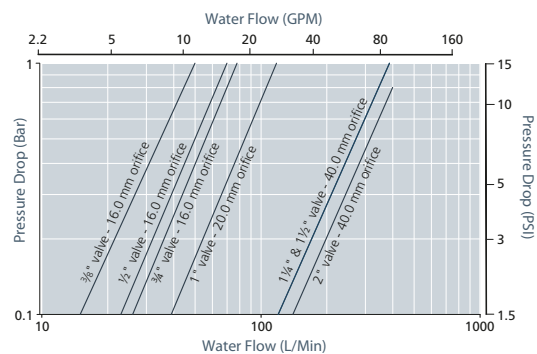
### Options Available

Solenoid Enclosure		Seal Material <sup>1</sup> and Media Temp. Range	Ambient Temperature Range		Main Valve Body Options
Protection Class			Min	Max	
EExd T6 (NEMA 6 equivalent)	See separate datasheet	Nitrile (14 °F to +176 °F)	14 °F	122 °F	Stainless Steel 316 (up to and including 1")
EExd T4 (NEMA 6 equivalent)		EPDM (-58 °F to +248 °F)	14 °F	122 °F	Oxygen Cleaning (consult factory for product code)
		Viton (-4 °F to +302 °F)	14 °F	122 °F	Stainless Steel Tagging (consult factory for product code)

<sup>1</sup> See corrosion reference guide and sealing solutions for material compatibility.

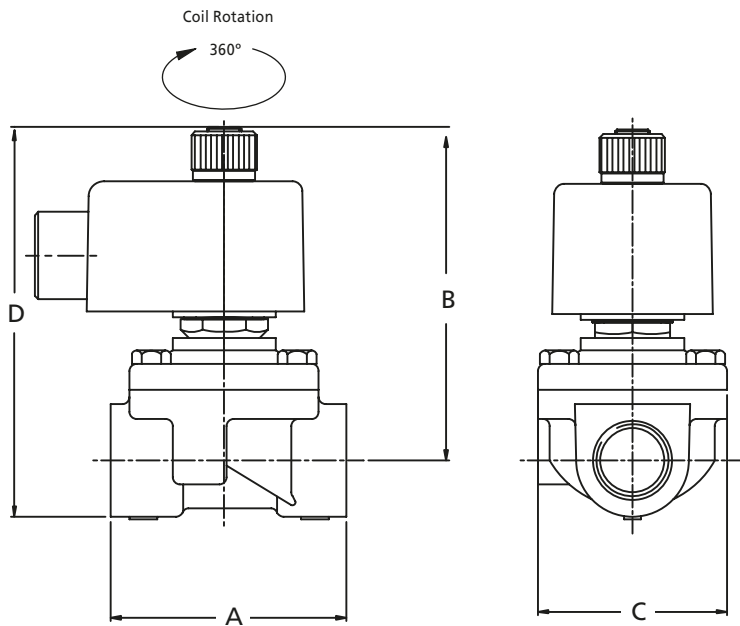
### How to use the flow chart

1. Select the required flow.
2. Note the corresponding pressure drop.
3. Based on where the two points intersect select the most appropriate model.

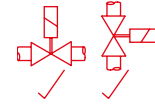


# ACDN Series (USA)

- 2/2 Normally Open



Preferred Valve Mounting Options



## Dimensions

Port Size	A	B	C	D
3/8" - 3/4"	2 3/4"	3 7/16"	3"	4 3/8"
1"	3 3/8"	3 7/16"	3"	5 3/8"
1 1/4" - 2"	5 3/8"	4 5/8"	4 3/4"	5 7/8"

Dimensions given in inches

## Solenoid enclosures



### S4 Type enclosure protection class IP50

- External material: Pressed steel powder coated
- Electrical entry: 1/2" NPT metal conduit hub with 18" leads (NEMA 2 equivalent protection class)
- Winding Insulation: Class H

## Coding chart

### Main Valve Assembly

Model	Valve Body Conn. Size	Conn. Type	Operation	Orifice (mm)	Body Material	Seals	Style
27 ACDN (1 1/4 and above)	C 3/8"	3 NPT	1 AUTO	Z Default	1 Brass (standard on valves up to and including 1")	A Nitrile	1 Standard
	D 1/2"					B EPDM	
56 ACDN (3/8"-1")	E 3/4"	3 NPT	1 AUTO	Z Default	2 Bronze (standard on valves above 1")	C VITON	1 Standard
	F 1"						
	G 1 1/4"						
	H 1 1/2"						
	J 2"				5 316 Stainless Steel (option available up to and inc. 1")		

### Coil options

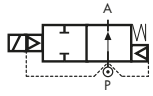
Enclosure	Voltage / Frequency	Electrical Connection	Approval
C N/O standard metal can	F1 24 VDC F4 12 VDC H1 24 V / 60 Hz H2 120 V / 60 Hz	9 1/2" NPT	8 Non-UL

### Product coding example:

56C31Z1A1-CH298: ACDN Series  
3/8" NPT, Auto, Brass body, nitrile seals, 120 V / 60Hz, 1/2" NPT electrical connection, non-UL.

# RD223/224/225 Series

## General Purpose – 2/2 Normally Open

Specifications	
Function (single acting)	 <p>Flow direction overseat 1 → 2</p>
Maximum Viscosity	Max. 21cST (3 °E)
Body Material (Std)	Brass CW617N (EN 12165)
Flange Tube	Stainless Steel 1.4305 EN 10088 (AISI 303)
Plunger	Stainless Steel 1.4106 EN 10088 (AISI 430F)
Top Stop	Stainless Steel 1.4105 EN 10088 (AISI 430F)
Springs	Stainless Steel AISI 302
Seal Material (Std)	NBR
Connection Type (Std)	G parallel thread (ISO 228-1)
Shading Ring	Copper
Electrical Characteristics	
Standard Coil Voltage DC (=)	24 V
Standard Coil Voltage AC 50 Hz (-)	24 V, 110 V, 200 V, 230 V
Standard Coil Voltage AC 60 Hz (-)	24 V, 120 V, 220 V, 240 V
Voltage Tolerance	+10% to -15% (AC)
	+10% to -5% (DC)
Duty Cycle	100% ED
Protection Class	IP65 (EN 60529) with plug and gasket correctly fitted *
Electrical Connection	to EN 175301 - 803 - A (ex DIN 43650)
Coil Insulation	Class H 180 °C
Power Rating (Standard)	AC 18 VA (holding) AC 36 VA (inrush) DC 14 W

### Features and Benefits

- Pilot operated
- Robust construction for industrial applications
- Stainless steel AISI 430F operators with low residual magnetism
- Manufactured in compliance to RoHS directive and to relevant international standards
- Choice of high quality seal materials
- Troublefree operation with coils class H
- Speed control screw as standard
- Response time 50 to 500 ms



Pipe Size	Cv (gpm)	Kv (m³/h)	OPD (bar)		Orifice (mm)	Seal Material	Valve Code
			AC Voltages	DC Voltages			
1 ¼"	25.97	22.20	0.5 - 16	0.5 - 16	40	NBR FKM EPDM	RD223DBK RD223DVK RD223DEK
1 ½"	28.08	24.00			40	NBR FKM EPDM	RD224DBK RD224DVK RD224DEK
2"	37.91	32.40			50	NBR FKM EPDM	RD225DBJ RD225DVJ RD225DEJ

### Options Available

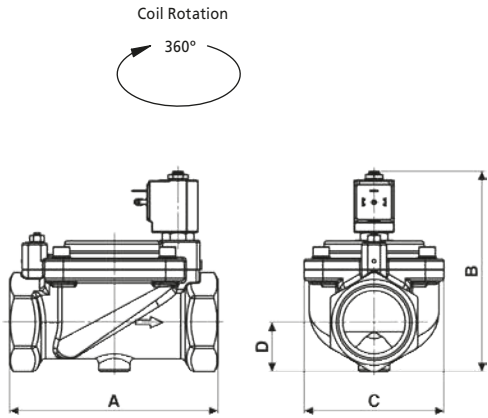
Valve Options (see coding chart)
NPT threads (minimum batch may be required)
Electroless nickel plating

Seal Material <sup>1</sup> and Media Temperature Range	Media	Ambient Temperature Range	
		Min	Max
NBR (-10 °C to +90 °C)	Water, oil, air	-10 °C	+50 °C
FKM (-10 °C to +130 °C)	Water, oil, air	-10 °C	+50 °C
EPDM (-10 °C to +120 °C)	Water, hot water	-10 °C	+50 °C

<sup>1</sup> See corrosion reference guide and sealing solutions for material compatibility.

# RD223/224/225 Series

## General Purpose – 2/2 Normally Open



### Preferred Valve Mounting Options



Pipe Size	A	B	C	D	Weight (kg)
1 ¼" - 1 ½"	140	140	96	31.5	2.8
2"	167	158	112	39	3.9

Dimensions (mm)

### Solenoid enclosures

#### 7--1 Type Coil - Insulation class H

External material: PPS (fibreglass & mineral filled)  
 Electrical connection: DIN EN 175301-803 form A  
 Winding insulation: Class H (E180)  
 Enclosure classification: Conforms to IP65 (according to EN 60529) with plug and gasket correctly fitted\*



#### Type 600 011- Plug

Rated Voltage (max.): 250 VAC / 300 VDC  
 Nominal Current: 10A (rated) / 16A (max)  
 Wire cross-section: 1.5 mm<sup>2</sup> max  
 Cable Entry: PG9 (6 to 8 mm)  
 Enclosure classification: Conforms to IP65 (according to EN 60529) with supplied gasket  
 Insulation class: group C- VDE 0110  
 Housing colour: black  
 UL approved, file No: E205538



\* Plug and gasket not supplied as standard, must be ordered separately.

### Coding chart

#### Main Valve Assembly

#### Coil options

#### Plug

Pipe Size				Seals		Orifice <sup>1</sup>		Option		Voltage / Frequency - Class H				Plug	
23	1 ¼"	B	NBR	K	40	N	NPT	7251	24 VDC						w/o plug
24	1 ½"	V	FKM	J	50	K	Electroless nickel plating	7201	24 V / 50/60 Hz						0A1
25	2"	E	EPDM				w/o option	7401	110 V / 50 Hz - 120 V / 60 Hz						
								7601	200 V / 50 Hz - 220 V / 60 Hz						
								7701	230 V / 50 Hz - 240 V / 60 Hz						

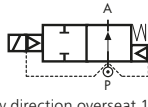
<sup>1</sup> DN40 only for RD223 and RD224 only, DN50 only for RD225.

### Product coding example:

RD223DBK 7251  
 1 ¼" G, auto operation, brass body, NBR seals, 40 mm orifice, 24 VDC, without plug.

# RD223/224/225 Series (USA)

## General Purpose – 2/2 Normally Open

Specifications	
Function (single acting)	 <p>Flow direction overseat 1 → 2</p>
Maximum Viscosity	Max. 21cST (3 °E)
Body Material (Std)	Brass C37700 (UNS Designation)
Flange Tube	Stainless Steel AISI 303 (1.4305 EN 10088)
Plunger	Stainless Steel AISI 430F (1.4106 EN 10088)
Top Stop	Stainless Steel AISI 430F (1.4105 EN 10088)
Springs	Stainless Steel AISI 302
Seal Material (Std)	NBR
Connection Type	NPT
Shading Ring	Copper
Electrical Characteristics <sup>1</sup>	
Standard Coil Voltage DC (=)	24 V
Standard Coil Voltage AC 50 Hz (-)	24 V, 110 V, 200 V, 230 V
Standard Coil Voltage AC 60 Hz (-)	24 V, 120 V, 220 V, 240 V
Voltage Tolerance	+10% to -15% (AC)
	+10% to -5% (DC)
Duty Cycle	100% ED
Enclosure Classification	NEMA type 4 (UL 50) and IP65 (EN 60529) with plug and gasket correctly fitted *
Electrical Connection	to EN 175301 - 803 - A (ex DIN 43650)
Coil Insulation Class	180 (H) to EN 60730-1
Power Rating (Standard)	AC 18 VA (holding) AC 36 VA (inrush) DC 14 W

<sup>1</sup> These coils are not UL approved.

### Features and Benefits

- Pilot operated
- Robust construction for industrial applications
- Stainless steel AISI 430F operators with low residual magnetism
- Choice of high quality seal materials
- Trouble-free operation with coils class H
- Speed control screw as standard
- Response time 50 to 500 ms



Pipe Size	Cv (gpm)	Kv (m <sup>3</sup> /h)	OPD psi (bar)		Orifice inches (mm)	Seal Material	Valve Code
			AC Voltages	DC Voltages			
1 ¼	25.97	22.20	7 - 232 (0.5 - 16)	7 - 232 (0.5 - 16)	1 37/64 (40)	NBR FKM EPDM	RD223DBKN RD223DVKN RD223DEKN
					1 37/64 (40)	NBR FKM EPDM	RD224DBKN RD224DVKN RD224DEKN
2	37.91	32.40			2 (50)	NBR FKM EPDM	RD225DBJN RD225DVJN RD225DEJN

### Options Available

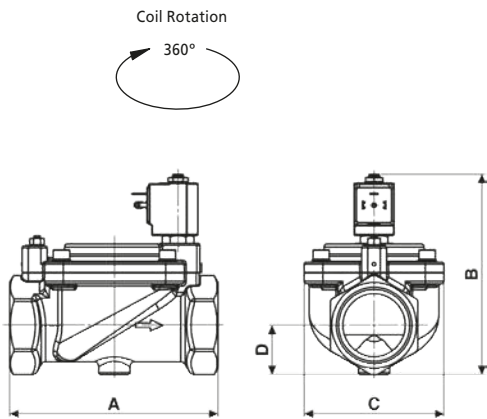
Valve Options (see coding chart)
G parallel thread (ISO 228-1)
Electroless nickel plating

Seal Material <sup>1</sup> and Media Temperature Range	Media	Ambient Temperature Range	
		Min	Max
NBR 14 °F to 194 °F (-10 °C to +90 °C)	Water, oil, air	14 °F (-10 °C)	122 °F (+50 °C)
FKM 14 °F to 266 °F (-10 °C to +130 °C)	Water, oil, air	14 °F (-10 °C)	122 °F (+50 °C)
EPDM 14 °F to 248 °F (-10 °C to +120 °C)	Water, hot water	14 °F (-10 °C)	122 °F (+50 °C)

<sup>1</sup> See corrosion reference guide and sealing solutions for material compatibility.

# RD223/224/225 Series (USA)

General Purpose – 2/2 Normally Open



Preferred Valve Mounting Options



Pipe Size	A	B	C	D	Weight Lb (kg)
1 ¼ - 1 ½	5.51 (140)	5.51 (140)	3.78 (96)	1.24 (31.5)	6.17 (2.8)
2	6.57 (167)	6.22 (158)	4.41 (112)	1.54 (39)	8.60 (3.9)

Dimensions inches (mm)

## Solenoid enclosures

### 7--1 Type Coil - Insulation class H

- External material: PPS (fibreglass & mineral filled)
- Electrical connection: DIN EN 175301-803 form A
- Winding insulation: Class H (E180)
- Enclosure classification: Conforms to NEMA type 4 (UL 50) and IP65 (according to EN 60529) with plug and gasket correctly fitted\*



\* Plug and gasket not supplied as standard, must be ordered separately.

### Type 600 011- Plug

- Rated Voltage (max.): 250 VAC / 300 VDC
- Nominal Current: 10A (rated) / 16A (max)
- Wire cross-section: 0.0023 inch<sup>2</sup> max (1.5 mm<sup>2</sup> max)
- Cable Entry: PG9 (0.24 to 0.31 inch / 6 to 8 mm)
- Enclosure classification: Conforms to IP65 (according to EN 60529) with supplied gasket
- Insulation class: group C- VDE 0110
- Housing colour: black
- UL approved, file No: E205538



## Coding chart

### Main Valve Assembly

Pipe Size	
23	1 ¼
24	1 ½
25	2

Seals		Orifice <sup>1</sup>	
B	NBR	K	1 33/64
V	FKM	J	2
E	EPDM		

Thread Pipe	Option
N NPT	K Electroless nickel plating
GAS	w/o option

Voltage / Frequency - Class H	
7251	24 VDC
7201	24 V / 50/60 Hz
7401	110 V / 50 Hz - 120 V / 60 Hz
7601	200 V / 50 Hz - 220 V / 60 Hz
7701	230 V / 50 Hz - 240 V / 60 Hz

Plug	
	w/o plug
0A1	c/w plug

RD	2	•	•	D	•	•	N	•	•	•	•	•	•	•	•	•	•
----	---	---	---	---	---	---	---	---	---	---	---	---	---	---	---	---	---

<sup>1</sup> DN 1 37/64 only for RD223 and RD224 only, DN 2 only for RD225.

### Product coding example:

RD223DBKN 7251  
1 ¼ NPT, auto operation, brass body, NBR seals, 40 mm orifice, 24 VDC, without plug.



# RD398/399 Series

## General Purpose – 3/2 Normally Open

Specifications	
Function (single acting)	<p>Flow direction underseat 2 → 1</p>
Maximum Viscosity	Max. 21cST (3 °E)
Body Material (Std)	Stainless Steel 1.4305 EN 10088 (AISI 303)
Orifice Material	Stainless Steel 1.4305 EN 10088 (AISI 303)
Flange Tube (Seamless)	Stainless Steel 1.4305 EN 10088 (AISI 303)
Plunger	Stainless Steel 1.4106 EN 10088 (AISI 430F)
Top Stop	Stainless Steel 1.4305 EN 10088 (AISI 303)
Springs	Stainless Steel AISI 302
Seal Material (Std)	Foodgrade FKM
Connection Type (Std)	G parallel thread (ISO 228-1)
Shading Ring	Copper
Electrical Characteristics	
Standard Coil Voltage DC (=)	24 V
Standard Coil Voltage AC 50 Hz (-)	24 V, 110 V, 200 V, 230 V
Standard Coil Voltage AC 60 Hz (-)	24 V, 120 V, 220 V, 240 V
Voltage Tolerance	+10% to -15% (AC)
	+10% to -5% (DC)
Duty Cycle	100% ED
Protection Class	IP65 (EN 60529) with plug and gasket correctly fitted *
Electrical Connection	to EN 175301 - 803 - A (ex DIN 43650)
Coil Insulation	Class H 180 °C
Power Rating (Standard)	AC 18 VA (holding) AC 36 VA (inrush) DC 14 W

### Features and Benefits

- Direct Acting
- Robust construction for industrial applications
- Zero pressure rated
- Stainless steel AISI 430F operators with low residual magnetism
- Manufactured in compliance to RoHS directive and to relevant international standards
- High quality seal materials
- Response time 5 to 25 ms



Pipe Size	Cv (gpm)	Kv (m³/h)	OPD (bar)		Orifice (mm)	Seal Material	Valve Code
			AC Voltages	DC Voltages			
¼"	0.09	0.08	0 - 15	0 - 15	1.5	FKM	RD399CVC
¼"	0.15	0.13	0 - 10	0 - 10	2.0	FKM	RD399CVE
¼"	0.32	0.27	0 - 4	0 - 4	3.0	FKM	RD399CVH

### Options Available

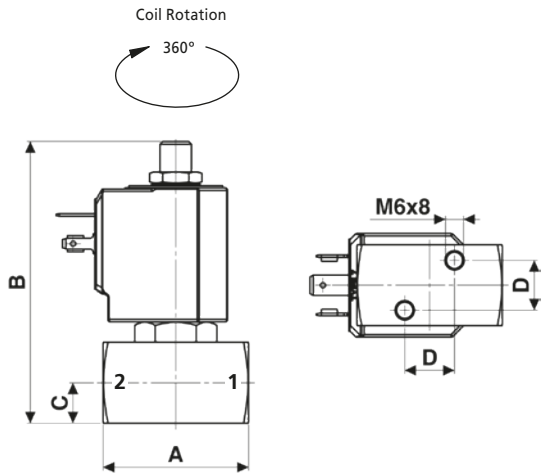
Valve Options (see coding chart)
Body threaded connection G ½"
NPT threads (minimum batch may be required)
Anticorrosion treatment recommended with aggressive fluids

Seal Material <sup>1</sup> and Media Temperature Range	Media	Ambient Temperature Range	
		Min	Max
FKM (-10 °C to +130 °C)	Water, oil, air, aggressive fluids	-10 °C	+50 °C

<sup>1</sup> See corrosion reference guide and sealing solutions for material compatibility.

# RD398/399 Series

## General Purpose – 3/2 Normally Open



Preferred Valve Mounting Options



Pipe Size	A	B	C	D	Weight (kg)
1/8" - 1/4"	45	87	12.5	15.4	0.35

Dimensions (mm)

### Solenoid enclosures

#### 7--1 Type Coil - Insulation class H

- External material: PPS (fibreglass & mineral filled)
- Electrical connection: DIN EN 175301-803 form A
- Winding insulation: Class H (E180)
- Enclosure classification: Conforms to IP65 (according to EN 60529) with plug and gasket correctly fitted\*



#### Type 600 011- Plug

- Rated Voltage (max.): 250 VAC / 300 VDC
- Nominal Current: 10A (rated) / 16A (max)
- Wire cross-section: 1.5 mm<sup>2</sup> max
- Cable Entry: PG9 (6 to 8 mm)
- Enclosure classification: Conforms to IP65 (according to EN 60529) with supplied gasket
- Insulation class: group C- VDE 0110
- Housing colour: black
- UL approved, file No: E205538



\* Plug and gasket not supplied as standard, must be ordered separately.

### Coding chart

#### Main Valve Assembly

Pipe Size
8 1/8"
9 1/4"

Orifice
C 1.5
E 2.0
H 3.0

Option
N NPT
F Anticorrosion treatment <sup>1</sup>
w/o option

Voltage / Frequency - Class H	
7251	24 VDC
7201	24 V / 50/60 Hz
7401	110 V / 50 Hz - 120 V / 60 Hz
7601	200 V / 50 Hz - 220 V / 60 Hz
7701	230 V / 50 Hz - 240 V / 60 Hz

Plug
0A1 c/w plug
w/o plug

RD	3	9	.	C	V	.	.	.	.	.	.	.	.	.	.
----	---	---	---	---	---	---	---	---	---	---	---	---	---	---	---

<sup>1</sup> Recommended with aggressive fluids.

### Product coding example:

RD399CVE 7251  
1/4" G, auto operation, stainless steel body, FKM seals, 2.0 VDC, without plug.

# RD398/399 Series (USA)

## General Purpose – 3/2 Normally Open

Specifications	
Function (single acting)	<p>Flow direction underseat 2 → 1</p>
Maximum Viscosity	Max. 21cST (3 °E)
Body Material (Std)	Stainless Steel AISI 303 (1.4305 EN 10088)
Orifice Material	Stainless Steel AISI 303 (1.4305 EN 10088)
Flange Tube (seamless)	Stainless Steel AISI 303 (1.4305 EN 10088)
Plunger	Stainless Steel AISI 430F
Top Stop	Stainless Steel AISI 303 (1.4305 EN 10088)
Springs	Stainless Steel AISI 302
Seal Material (Std)	Foodgrade FKM
Connection Type	NPT
Shading Ring	Copper
Electrical Characteristics <sup>1</sup>	
Standard Coil Voltage DC (=)	24 V
Standard Coil Voltage AC 50 Hz (-)	24 V, 110 V, 200 V, 230 V
Standard Coil Voltage AC 60 Hz (-)	24 V, 120 V, 220 V, 240 V
Voltage Tolerance	+10% to -15% (AC)
	+10% to -5% (DC)
Duty Cycle	100% ED
Enclosure Classification	NEMA type 4 (UL 50) and IP65 (EN 60529) with plug and gasket correctly fitted *
Electrical Connection	to EN 175301 - 803 - A (ex DIN 43650)
Coil Insulation Class	180 (H) to EN 60730-1
Power Rating (Standard)	AC 18 VA (holding) AC 36 VA (inrush) DC 14 W

<sup>1</sup> These coils are not UL approved.

### Features and Benefits

- Direct Acting
- Robust construction for industrial applications
- Zero pressure rated
- Stainless steel AISI 430F operators with low residual magnetism
- High quality seal materials
- Response time 5 to 25 ms



Pipe Size	Cv (gpm)	Kv (m³/h)	OPD psi (bar)		Orifice inches (mm)	Seal Material	Valve Code
			AC Voltages	DC Voltages			
¼	0.09	0.08	0 - 218 (0 - 15)	0 - 218 (0 - 15)	1/16 (1.5)	FKM	RD399CVCN
¼	0.15	0.13	0 - 145 (0 - 10)	0 - 145 (0 - 10)	5/64 (2.0)	FKM	RD399CVEN
¼	0.32	0.27	0 - 58 (0 - 4)	0 - 58 (0 - 4)	1/8 (3.0)	FKM	RD399CVHN

### Options Available

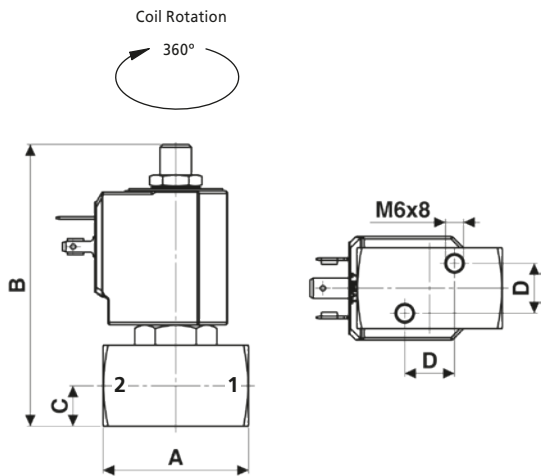
Valve Options (see coding chart)
Body threaded connection 1/8
G parallel thread (ISO 228-1)
Anticorrosion treatment recommended with aggressive fluids

Seal Material <sup>2</sup> and Media Temperature Range	Media	Ambient Temperature Range	
		Min	Max
FKM 14 °F to 266 °F (-10 °C to +130 °C)	Water, oil, air, aggressive fluids	14 °F (-10 °C)	122 °F (+50 °C)

<sup>2</sup> See corrosion reference guide and sealing solutions for material compatibility.

# RD398/399 Series (USA)

## General Purpose – 3/2 Normally Open



Preferred Valve Mounting Options



Pipe size	A	B	C	D	Weight Lb (kg)
1/8 - 1/4	1.77 (45)	3.43 (87)	0.49 (12.5)	0.61 (15.4)	0.77 (0.35)

Dimensions inches (mm)

### Solenoid enclosures

#### 7--1 Type Coil - Insulation class H

External material: PPS (fibreglass & mineral filled)  
 Electrical connection: DIN EN 175301-803 form A  
 Winding insulation: Class H (E180)  
 Enclosure classification: Conforms to NEMA type 4 (UL 50) and IP65 (according to EN 60529) with plug and gasket correctly fitted\*



\* Plug and gasket not supplied as standard, must be ordered separately.

#### Type 600 011- Plug

Rated Voltage (max.): 250 VAC / 300 VDC  
 Nominal Current: 10A (rated) / 16A (max)  
 Wire cross-section: 0.0023 inch<sup>2</sup> max (1.5 mm<sup>2</sup> max)  
 Cable Entry: PG9 (0.24 to 0.31 inch / 6 to 8 mm)  
 Enclosure classification: Conforms to IP65 (according to EN 60529) with supplied gasket  
 Insulation class: group C- VDE 0110  
 Housing colour: black  
 UL approved, file No: E205538



### Coding chart

#### Main Valve Assembly

Pipe Size	
8	1/8
9	1/4

Orifice	Thread Pipe	Option
C 1/16	N NPT	F Anticorrosion treatment <sup>1</sup>
E 5/64	GAS	w/o option
H 1/8		

#### Coil options

Voltage / Frequency - Class H	
7251	24 VDC
7201	24 V / 50/60 Hz
7401	110 V / 50 Hz - 120 V / 60 Hz
7601	200 V / 50 Hz - 220 V / 60 Hz
7701	230 V / 50 Hz - 240 V / 60 Hz

#### Plug

Plug	
0A1	c/w plug
	w/o plug

RD	3	9	.	C	V	.	N	.	.	.	.	.	.	.	.	.
----	---	---	---	---	---	---	---	---	---	---	---	---	---	---	---	---

<sup>1</sup> Recommended with aggressive fluids.

### Product coding example:

RD399CVEN 7251  
 1/4 NPT, auto operation, stainless steel body, FKM seals, 5/64 orifice, 24 VDC, without plug.

# RD362/363 Series

## General Purpose – 3/2 Normally Open

Specifications	
Function (single acting)	<p>Flow direction underseat 2 → 1</p>
Maximum Viscosity	Max. 21cST (3 °E)
Body Material (Std)	Brass CW617N (EN 12165)
Orifice Material	Stainless Steel 1.4305 EN 10088 (AISI 303)
Flange Tube (Seamless)	Stainless Steel 1.4305 EN 10088 (AISI 303)
Plunger	Stainless Steel 1.4106 EN 10088 (AISI 430F)
Top Stop	Stainless Steel 1.4105 EN 10088 (AISI 430F)
Springs	Stainless Steel AISI 302
Seal Material (Std)	Foodgrade FKM
Connection Type (Std)	G parallel thread (ISO 228-1)
Shading Ring	Copper
Electrical Characteristics	
Standard Coil Voltage DC (=)	24 V
Standard Coil Voltage AC 50 Hz (-)	24 V, 110 V, 200 V, 230 V
Standard Coil Voltage AC 60 Hz (-)	24 V, 120 V, 220 V, 240 V
Voltage Tolerance	+10% to -15% (AC)
	+10% to -5% (DC)
Duty Cycle	100% ED
Protection Class	IP65 (EN 60529) with plug and gasket correctly fitted *
Electrical Connection	to EN 175301 - 803 - A (ex DIN 43650)
Coil Insulation	Class H 180 °C
Power Rating (Standard)	AC 18 VA (holding) AC 36 VA (inrush) DC 14 W

### Features and Benefits

- Direct Acting
- Robust construction for industrial applications
- Zero pressure rated
- Stainless steel AISI 430F operators with low residual magnetism
- Manufactured in compliance to RoHS directive and to relevant international standards
- High quality seal materials
- Response time 5 to 25 ms



### Valve manufactured in conformity of all regulation and law CE:

- EC 1935/2004
- EC 2023/2006
- EC 10/2011 and all subsequent amended and integration
- For metal alloy different from stainless steel included superficial treatment in absence of specific national or international rule the conformity is evaluated following clause 3 of regulation EC 1935/2004 using resolution of European council as guide: Metal and Alloys used in food contact 1<sup>st</sup> edition 2013
- Italian law: D.M. 174 06/04/2004 drinkable water
- Italian law: D.M. 21/03/1973 and all subsequent amended and integration

Pipe Size	Cv (gpm)	Kv (m <sup>3</sup> /h)	OPD (bar)		Orifice (mm)	Seal Material	Valve Code
			AC Voltages	DC Voltages			
¼"	0.09	0.08	0 - 16	0 - 13	1.5	FKM	RD363C $\underline{Y}$ C
¼"	0.15	0.13	0 - 10	0 - 10	2.0	FKM	RD363C $\underline{V}$ E
¼"	0.24	0.20	0 - 7	0 - 7	2.5	FKM	RD363C $\underline{V}$ G
¼"	0.32	0.27	0 - 4	0 - 4	3.0	FKM	RD363C $\underline{V}$ H

### Options Available

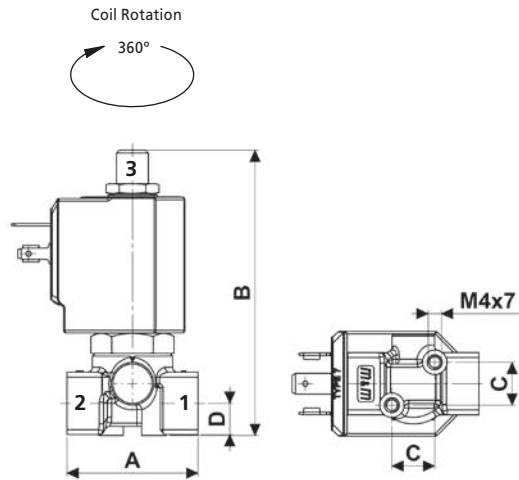
Valve Options (see coding chart)
Body threaded connection G ½"
NPT threads (minimum batch may be required)

Seal Material <sup>1</sup> and Media Temperature Range	Media	Ambient Temperature Range	
		Min	Max
FKM (-10 °C to +130 °C)	Water, oil, air	-10 °C	+50 °C

<sup>1</sup> See corrosion reference guide and sealing solutions for material compatibility.

# RD362/363 Series

General Purpose – 3/2 Normally Open



Preferred Valve Mounting Options



Pipe Size	A	B	C	D	Weight (kg)
1/8" - 1/4"	40	86.4	13	9.5	0.26

Dimensions (mm)

## Solenoid enclosures

### 7--1 Type Coil - Insulation class H

External material: PPS (fibreglass & mineral filled)  
 Electrical connection: DIN EN 175301-803 form A  
 Winding insulation: Class H (E180)  
 Enclosure classification: Conforms to IP65 (according to EN 60529) with plug and gasket correctly fitted\*



\* Plug and gasket not supplied as standard, must be ordered separately.

### Type 600 011- Plug

Rated Voltage (max.): 250 VAC / 300 VDC  
 Nominal Current: 10A (rated) / 16A (max)  
 Wire cross-section: 1.5 mm<sup>2</sup> max  
 Cable Entry: PG9 (6 to 8 mm)  
 Enclosure classification: Conforms to IP65 (according to EN 60529) with supplied gasket  
 Insulation class: group C- VDE 0110  
 Housing colour: black  
 UL approved, file No: E205538



## Coding chart

### Main Valve Assembly

Pipe Size
2 1/8"
3 1/4"

Orifice
C 1.5
E 2.0
G 2.5

Option
N NPT
w/o option

### Coil options

Voltage / Frequency - Class H	
7251	24 VDC
7201	24 V / 50/60 Hz
7401	110 V / 50 Hz - 120 V / 60 Hz
7601	200 V / 50 Hz - 220 V / 60 Hz
7701	230 V / 50 Hz - 240 V / 60 Hz

### Plug

Plug
0A1 c/w plug
w/o plug

RD	3	6	.	C	V	.	.	.	.	.	.	.	.	.	.
----	---	---	---	---	---	---	---	---	---	---	---	---	---	---	---

## Product coding example:

RD362CVC 7251  
 1/8" G, auto operation, brass body, FKM seals, 1.5 mm orifice, 24 VDC, without plug.

# RD362/363 Series (USA)

## General Purpose – 3/2 Normally Open

Specifications	
Function (single acting)	<p>Flow direction underseat 2 → 1</p>
Maximum Viscosity	Max. 21cST (3 °E)
Body Material (Std)	Brass C37700 (UNS Designation)
Orifice Material	Stainless Steel AISI 303 (1.4305 EN 10088)
Flange Tube (seamless)	Stainless Steel AISI 303 (1.4305 EN 10088)
Plunger	Stainless Steel AISI 430F (1.4106 EN 10088)
Top Stop	Stainless Steel AISI 430F (1.4105 EN 10088)
Springs	Stainless Steel AISI 302
Seal Material (Std)	Foodgrade FKM
Connection Type	NPT
Shading Ring	Copper
Electrical Characteristics <sup>1</sup>	
Standard Coil Voltage DC (=)	24 V
Standard Coil Voltage AC 50 Hz (-)	24 V, 110 V, 200 V, 230 V
Standard Coil Voltage AC 60 Hz (-)	24 V, 120 V, 220 V, 240 V
Voltage Tolerance	+10% to -15% (AC)
	+10% to -5% (DC)
Duty Cycle	100% ED
Enclosure Classification	NEMA type 4 (UL 50) and IP65 (EN 60529) with plug and gasket correctly fitted *
Electrical Connection	to EN 175301 - 803 - A (ex DIN 43650)
Coil Insulation Class	180 (H) to EN 60730-1 <sup>1</sup>
Power Rating (Standard)	AC 18 VA (holding) AC 36 VA (inrush) DC 14 W

<sup>1</sup> These coils are not UL approved.

### Features and Benefits

- Direct Acting
- Robust construction for industrial applications
- Zero pressure rated
- Stainless steel AISI 430F operators with low residual magnetism
- High quality seal materials
- Response time 5 to 25 ms



Pipe Size	Cv (gpm)	Kv (m <sup>3</sup> /h)	OPD psi (bar)		Orifice inches (mm)	Seal Material	Valve Code
			AC Voltages	DC Voltages			
¼	0.09	0.08	0 - 232 (0 - 16)	0 - 189 (0 - 13)	1/16 (1.5)	FKM	RD363C_VCN
¼	0.15	0.13	0 - 145 (0 - 10)	0 - 145 (0 - 10)	5/64 (2.0)	FKM	RD363C_VEN
¼	0.24	0.20	0 - 102 (0 - 7)	0 - 102 (0 - 7)	3/32 (2.5)	FKM	RD363C_VGN
¼	0.32	0.27	0 - 58 (0 - 4)	0 - 58 (0 - 4)	1/8 (3.0)	FKM	RD363C_VHN

### Options Available

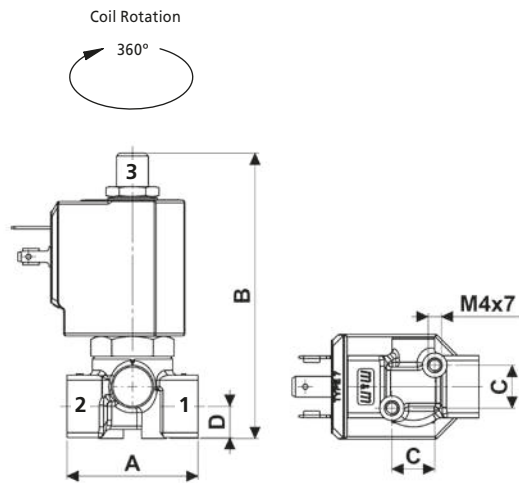
Valve Options (see coding chart)
Body threaded connection 1/8
G parallel thread (ISO 228-1)

Seal Material <sup>2</sup> and Media Temperature Range	Media	Ambient Temperature Range	
		Min	Max
FKM 14 °F to 266 °F (-10 °C to +130 °C)	Water, oil, air	14 °F (-10 °C)	122 °F (+50 °C)

<sup>2</sup> See corrosion reference guide and sealing solutions for material compatibility.

# RD362/363 Series (USA)

General Purpose – 3/2 Normally Open



Preferred Valve Mounting Options



Pipe Size	A	B	C	D	Weight Lb (kg)
1/8 - 1/4	1.57 (40)	3.40 (86.4)	0.51 (13)	0.37 (9.5)	0.57 (0.26)

Dimensions inches (mm)

## Solenoid enclosures

### 7--1 Type Coil - Insulation class H

External material: PPS (fibreglass & mineral filled)  
 Electrical connection: DIN EN 175301-803 form A  
 Winding insulation: Class H (E180)  
 Enclosure classification: Conforms to NEMA type 4 (UL 50) and IP65 (according to EN 60529) with plug and gasket correctly fitted\*



\* Plug and gasket not supplied as standard, must be ordered separately.

### Type 600 011- Plug

Rated Voltage (max.): 250 VAC / 300 VDC  
 Nominal Current: 10A (rated) / 16A (max)  
 Wire cross-section: 0.0023 inch<sup>2</sup> max (1.5 mm<sup>2</sup> max)  
 Cable Entry: PG9 (0.24 to 0.31 inch / 6 to 8 mm)  
 Enclosure classification: Conforms to IP65 (according to EN 60529) with supplied gasket  
 Insulation class: group C- VDE 0110  
 Housing colour: black  
 UL approved, file No: E205538



## Coding chart

### Main Valve Assembly

Pipe Size	
2	1/8
3	1/4

Orifice	Thread Pipe	Option
C 1/16	N NPT	w/o option
E 5/64	GAS	
G 3/32		
H 1/8		

### Coil options

Voltage / Frequency - Class H	
7251	24 VDC
7201	24 V / 50/60 Hz
7401	110 V / 50 Hz - 120 V / 60 Hz
7601	200 V / 50 Hz - 220 V / 60 Hz
7701	230 V / 50 Hz - 240 V / 60 Hz

### Plug

Plug	
0A1	c/w plug
	w/o plug

RD	3	6	.	C	V	.	.	.	.	.	.	.	.	.	.	.	.
----	---	---	---	---	---	---	---	---	---	---	---	---	---	---	---	---	---

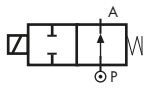
### Product coding example:

RD362CVCN 7251  
 1/8 NPT, auto operation, brass body, FKM seals, 1/16 orifice, 24 VDC, without plug.



# B297 Series

## Automation – 2/2 Normally Closed

Specifications	
Function (single acting)	 <p>Flow direction overseat 1 → 2</p>
Maximum Viscosity	Max. 21cST (3 °E)
Body Material (Std)	Low lead content Brass CW719R (EN 12165)
Orifice Material	Stainless Steel 1.4305 EN 10088 (AISI 303)
Tube	Stainless Steel AISI 304
Flange	Stainless Steel 1.4305 EN 10088 (AISI 303)
Plunger and Top Stop	Stainless Steel 1.4105 EN 10088 (AISI 430F) or equivalent
Springs	Stainless Steel AISI 302
Seal Material (Std)	Foodgrade FKM
Connection Type (Std)	G parallel thread (ISO 228-1)
Shading Ring	Copper
Electrical Characteristics	
Standard Coil Voltage DC (=)	24 V
Standard Coil Voltage AC 50 Hz (-)	24 V, 110 V, 200 V, 230 V
Standard Coil Voltage AC 60 Hz (-)	24 V, 120 V, 220 V, 240 V
Voltage Tolerance	+10% to -15% (AC)
	+10% to -5% (DC)
Duty Cycle	100% ED
Protection Class	IP65 (EN 60529) with plug and gasket correctly fitted *
Electrical Connection	to industrial form B
Coil Insulation	Class F 155 °C
Power Rating (Standard)	AC 10 VA (holding) AC 16 VA (inrush) DC 7W

### Features and Benefits

- Direct Acting
- Robust construction for industrial applications
- Stainless steel AISI 430F operators with low residual magnetism
- Manufactured in compliance to RoHS directive and to relevant international standards
- High quality seal materials
- Valve suitable for contact with food media as per the EEC Directives and Regulations. Please consult supplier for more details
- Response time 5 to 25 ms



### Valve manufactured in conformity of all regulation and law CE:

- EC 1935/2004
- EC 2023/2006
- EC 10/2011 and all subsequent amended and integration
- For metal alloy different from stainless steel included superficial treatment in absence of specific national or international rule the conformity is evaluated following clause 3 of regulation EC 1935/2004 using resolution of European council as guide: Metal and Alloys used in food contact 1<sup>st</sup> edition 2013
- Italian law: D.M. 174 06/04/2004 drinkable water
- Italian law: D.M. 21/03/1973 and all subsequent amended and integration

Pipe Size	Cv (gpm)	Kv (m <sup>3</sup> /h)	OPD (bar)		Orifice (mm)	Seal Material	Valve Code
			AC Voltages	DC Voltages			
1/8"	0.04	0.03	0 - 30	0 - 28	1.0	FKM EPDM	B297DVA B297DEA
1/8"	0.05	0.04	0 - 25	0 - 22	1.2	FKM EPDM	B297DVB B297DEB
1/8"	0.07	0.06	0 - 22	0 - 18	1.5	FKM EPDM	B297DVC B297DEC
1/8"	0.12	0.10	0 - 18	0 - 9	2.0	FKM EPDM	B297DVE B297DEE
1/8"	0.16	0.14	0 - 13	0 - 3	2.5	FKM EPDM	B297DVG B297DEG
1/8"	0.21	0.18	0 - 8	0 - 1	3.0	FKM EPDM	B297DVH B297DEH

### Options Available

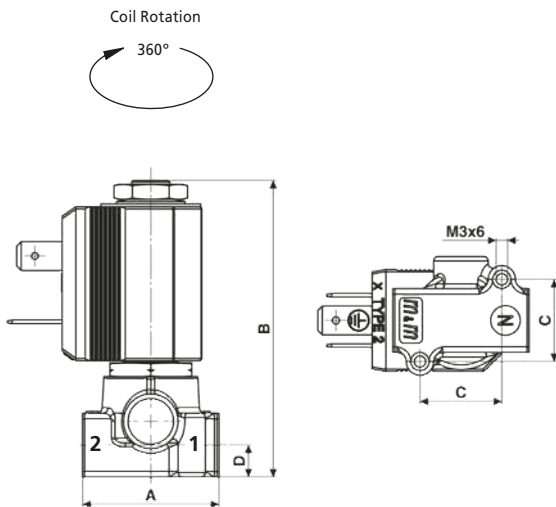
Valve Options (see coding chart)
NPT threads (minimum batch may be required)
Manual Override
Electroless nickel plating treatment

Seal Material <sup>1</sup> and Media Temperature Range	Media	Ambient Temperature Range	
		Min	Max
FKM (-10 °C to +130 °C)	Water, oil, air	-10 °C	+50 °C
EPDM (-10 °C to +120 °C)	Water, hot water	-10 °C	+50 °C

<sup>1</sup> See corrosion reference guide and sealing solutions for material compatibility.

# B297 Series

## Automation – 2/2 Normally Closed



Preferred Valve Mounting Options



Pipe Size	A	B	C	D	Weight (kg)
1/8"	30	65	18	7	0.15

Dimensions (mm)

### Solenoid enclosures

#### 2--0 Type Coil - Insulation class F

External material: PBT (reinforced fibreglass 30%)  
 Electrical connection: Industrial form B  
 Winding insulation: Class H (E180)  
 Enclosure classification: Conforms to IP65 (according to EN 60529) with plug and gasket correctly fitted\*



\* Plug and gasket not supplied as standard, must be ordered separately.

#### Type 600 001- Plug

Rated Voltage (max.): 250 VAC / 300 VDC  
 Nominal Current: 10A (rated) / 16A (max)  
 Wire cross-section: 1.5 mm<sup>2</sup> max  
 Cable Entry: PG9 (6 to 8 mm)  
 Enclosure classification: Conforms to IP65 (according to EN 60529) with supplied gasket  
 Insulation class: group C- VDE 0110  
 Housing colour: black  
 UL approved, file No: E205538



### Coding chart

#### Main Valve Assembly

#### Coil options

#### Plug

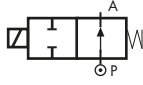




Main Valve Assembly					Seals				Orifice		Option		Voltage / Frequency - Class F				Plug	
V	FKM	A	1.0	N	NPT	2250	24 VDC			w/o plug								
E	EPDM	B	1.2	M	Manual Override	2200	24 V / 50/60 Hz		0B1	c/w plug								
		C	1.5	K	Electroless nickel plating	2400	110 V / 50 Hz - 120 V / 60 Hz											
		E	2.0		w/o option	2600	200 V / 50 Hz - 220 V / 60 Hz											
		G	2.5			2700	230 V / 50 Hz - 240 V / 60 Hz											
		H	3.0															

### Product coding example:

B297DVAN 2250  
 1/8" NPT, auto operation, brass body, FKM seals, 1.0 mm orifice, 24 VDC, without plug.

# B297 Series (USA)

Automation – 2/2 Normally Closed

Specifications	
Function (single acting)	 <p>Flow direction overseat 1 → 2</p>
Maximum Viscosity	Max. 21cST (3 °E)
Body Material (Std)	Low lead content Brass C46400 (UNS Designation)
Orifice Material	Stainless Steel AISI 303 (1.4305 EN 10088)
Tube	Stainless Steel AISI 304
Flange	Stainless Steel AISI 303 (1.4305 EN 10088)
Plunger and Top Stop	Stainless Steel AISI 430F or equivalent
Springs	Stainless Steel AISI 302
Seal Material (Std)	Foodgrade FKM
Connection Type	NPT
Shading Ring	Copper
Electrical Characteristics	
 Coil Voltage DC (=)	24 V
 Coil Voltage AC 50 Hz (-)	24 V, 110 V, 230 V
 Coil Voltage AC 60 Hz (-)	120 V, 240 V
Voltage Tolerance	+10% to -15% (AC)
	+10% to -5% (DC)
Duty Cycle	100% ED
Enclosure Classification	NEMA type 4 (UL 50) and IP65 (EN 60529) with plug and gasket correctly fitted *
Electrical Connection	to industrial form B
Coil Insulation Class	155 (F) to UL429 and to EN 60730-1
Power Rating  Coils	AC 9 VA (holding) AC 14 VA (inrush) DC 6W

## Features and Benefits

- Direct Acting
- Robust construction for industrial applications
- Stainless steel AISI 430F operators with low residual magnetism
- High quality seal materials
- Valve suitable for contact with food media when used with FKM seals, as per the EEC Directives and Regulations. Please consult supplier for more details
- Response time 5 to 25 ms



Pipe Size	Cv (gpm)	Kv (m³/h)	OPD psi (bar)		Orifice inches (mm)	Seal Material	Valve Code
			AC Voltages	DC Voltages			
1/8	0.04	0.03	0 - 435 (0 - 30)	0 - 406 (0 - 28)	3/64 (1.0)	FKM EPDM	B297D <del>V</del> AN B297D <del>E</del> AN
1/8	0.05	0.04	0 - 362 (0 - 25)	0 - 160 (0 - 11)	3/64 (1.2)	FKM EPDM	B297D <del>V</del> BN B297D <del>E</del> BN
1/8	0.07	0.06	0 - 290 (0 - 20)	0 - 94 (0 - 6.5)	1/16 (1.5)	FKM EPDM	B297D <del>V</del> CN B297D <del>E</del> CN
1/8	0.12	0.10	0 - 218 (0 - 15)	0 - 51 (0 - 3.5)	5/64 (2.0)	FKM EPDM	B297D <del>V</del> EN B297D <del>E</del> EN
1/8	0.16	0.14	0 - 116 (0 - 8)	0 - 14.5 (0 - 1)	3/32 (2.5)	FKM EPDM	B297D <del>V</del> GN B297D <del>E</del> GN

## Options Available

Valve Options (see coding chart)
G parallel thread (ISO 228-1)
Manual Override
Electroless nickel plating treatment
CE coils, power DC 7W - AC 10 VA <sup>1</sup>

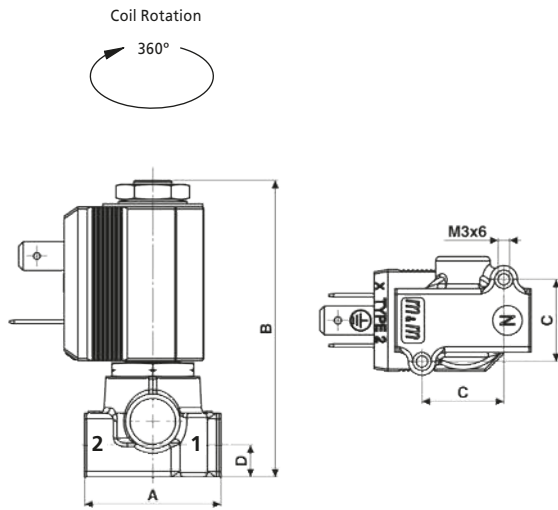
<sup>1</sup> Pressure ratings of valves fitted with CE coils may be higher than with UL coils (coils specifications on Page 303).

Seal Material <sup>2</sup> and Media Temperature Range	Media	Ambient Temperature Range	
		Min	Max
FKM 14 °F to 266 °F (-10 °C to +130 °C)	Water, oil, air	14 °F (-10 °C)	122 °F (+50 °C)
EPDM 14 °F to 248 °F (-10 °C to +120 °C)	Water, hot water	14 °F (-10 °C)	122 °F (+50 °C)

<sup>2</sup> See corrosion reference guide and sealing solutions for material compatibility.

# B297 Series (USA)

## Automation – 2/2 Normally Closed



### Preferred Valve Mounting Options



Pipe Size	A	B	C	D	Weight Lb (kg)
1/8	1.18 (30)	2.56 (65)	0.71 (18)	0.28 (7)	0.33 (0.15)

Dimensions inches (mm)

### Solenoid enclosures

#### 2--R c us Type Coil - Insulation class F

- External material: PET 815ER Rynite®
- Electrical connection: Industrial form B
- Winding insulation: Class H (P180)
- Enclosure classification: Conforms to NEMA type 4 (UL 50) and IP65 (according to EN 60529) with plug and gasket correctly fitted\*
- UL approved, file No: E193928



#### Type 600 001- Plug

- Rated Voltage (max.): 250 VAC / 300 VDC
- Nominal Current: 10A (rated) / 16A (max)
- Wire cross-section: 0.0023 inch<sup>2</sup> max (1.5 mm<sup>2</sup> max)
- Cable Entry: PG9 (0.24 to 0.31 inch / 6 to 8 mm)
- Enclosure classification: Conforms to IP65 (according to EN 60529) with supplied gasket
- Insulation class: group C- VDE 0110
- Housing colour: black
- UL approved, file No: E205538




\* Plug and gasket not supplied as standard, must be ordered separately.

### Coding chart

#### Main Valve Assembly

#### Coil options

#### Plug

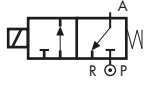
Seals				Orifice		Thread Pipe		Option		Voltage / Frequency -  us Type, Class F				Plug	
V	FKM	A	3/64	N	NPT	M	Manual Override	225R	24 VDC						w/o plug
E	EPDM	B	3/64		GAS	K	Electroless nickel plating	220R	24 V / 50 Hz						
		C	1/16				w/o option	240R	110 V / 50 Hz - 120 V / 60 Hz						
		E	5/64					270R	230 V / 50 Hz - 240 V / 60 Hz						
		G	3/32							Voltage / Frequency - CE Type, Class F					
										2250	24 VDC				
										2200	24 V / 50/60 Hz				
										2400	110 V / 50 Hz - 120 V / 60 Hz				
										2600	200 V / 50 Hz - 220 V / 60 Hz				
										2700	230 V / 50 Hz - 240 V / 60 Hz				
B	2	9	7	D	•	•	N	•	•	•	•	•	•	•	•

### Product coding example:

B297DVEN 225R  
1/8 NPT, auto operation, brass body, FKM seals, 5/64 orifice, 24 VDC, without plug.

# D301 Series

## Automation – 2/2 Normally Closed

Specifications	
Function (single acting)	 <p>Flow direction underseat 2 → 1</p>
Maximum Viscosity	Max. 21cST (3 °E)
Body Material (Std)	Brass CW617N (EN 12165)
Orifice Material	Stainless Steel 1.4305 EN 10088 (AISI 303)
Flange	Stainless Steel 1.4305 EN 10088 (AISI 303)
Tube	Stainless Steel AISI 304
Plunger	Stainless Steel 1.4106 EN 10088 (AISI 430F)
Top Stop	Stainless Steel 1.4105 EN 10088 (AISI 430F)
Springs	Stainless Steel AISI 302
Seal Material (Std)	Foodgrade FKM
Connection Type (Std)	Flanged 26x26 mm
Shading Ring	Copper
Electrical Characteristics	
Standard Coil Voltage DC (=)	24 V
Standard Coil Voltage AC 50 Hz (-)	24 V, 110 V, 200 V, 230 V
Standard Coil Voltage AC 60 Hz (-)	24 V, 120 V, 220 V, 240 V
Voltage Tolerance	+10% to -15% (AC)
	+10% to -5% (DC)
Duty Cycle	100% ED
Protection Class	IP65 (EN 60529) with plug and gasket correctly fitted *
Electrical Connection	to EN 175301 - 803 - A (ex DIN 43650)
Coil Insulation	Class F 155 °C
Power Rating (Standard)	AC 18 VA (holding) AC 36 VA (inrush) DC 14 W

### Features and Benefits

- Direct Acting
- Zero pressure rated
- Robust construction for industrial applications
- Stainless steel AISI 430F operators with low residual magnetism
- Manufactured in compliance to RoHS directive and to relevant international standards
- High quality seal materials
- Response time 5 to 25 ms



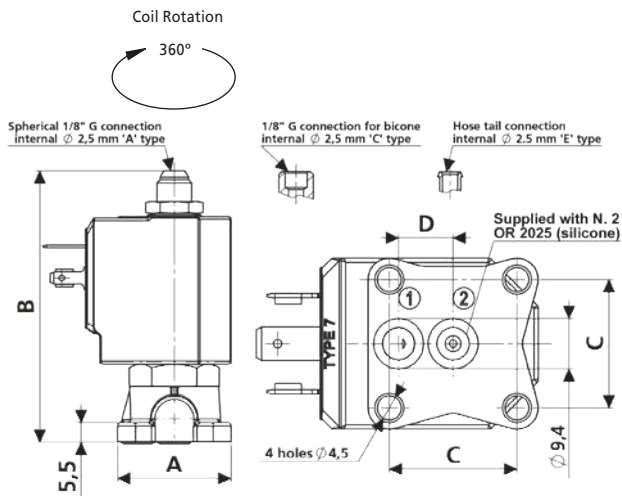
Pipe Size	Cv (gpm)	Kv (m³/h)	OPD (bar)		Orifice (mm)	Seal Material	Valve Code
			AC Voltages	DC Voltages			
Flanged	0.09	0.08	0 - 18	0 - 18	1.5	FKM	D301C <sub>Y</sub> C
Flanged	0.15	0.13	0 - 10	0 - 10	2.0	FKM	D301C <sub>Y</sub> E
Flanged	0.24	0.20	0 - 7	0 - 7	2.5	FKM	D301C <sub>Y</sub> G
Flanged	0.32	0.27	0 - 5	0 - 5	3.0	FKM	D301C <sub>Y</sub> H

Seal Material <sup>1</sup> and Media Temperature Range	Media	Ambient Temperature Range	
		Min	Max
FKM (-10 °C to +130 °C)	Water, oil, air	-10 °C	+50 °C

<sup>1</sup> See corrosion reference guide and sealing solutions for material compatibility.

# D301 Series

## Automation – 2/2 Normally Closed



### Preferred Valve Mounting Options



Pipe Size	A	B	C	D	Weight (kg)
Flanged	32	77	24	10.25	0.25

Dimensions (mm)

### Solenoid enclosures

#### 7--0 Type Coil - Insulation class F

External material: PBT (reinforced fibreglass 30%)  
 Electrical connection: DIN EN 175301-803 form A  
 Winding insulation: Class H (E180)  
 Enclosure classification: Conforms to IP65 (according to EN 60529) with plug and gasket correctly fitted\*



\* Plug and gasket not supplied as standard, must be ordered separately.

#### Type 600 011- Plug

Rated Voltage (max.): 250 VAC / 300 VDC  
 Nominal Current: 10A (rated) / 16A (max)  
 Wire cross-section: 1.5 mm<sup>2</sup> max  
 Cable Entry: PG9 (6 to 8 mm)  
 Enclosure classification: Conforms to IP65 (according to EN 60529) with supplied gasket  
 Insulation class: group C- VDE 0110  
 Housing colour: black  
 UL approved, file No: E205538

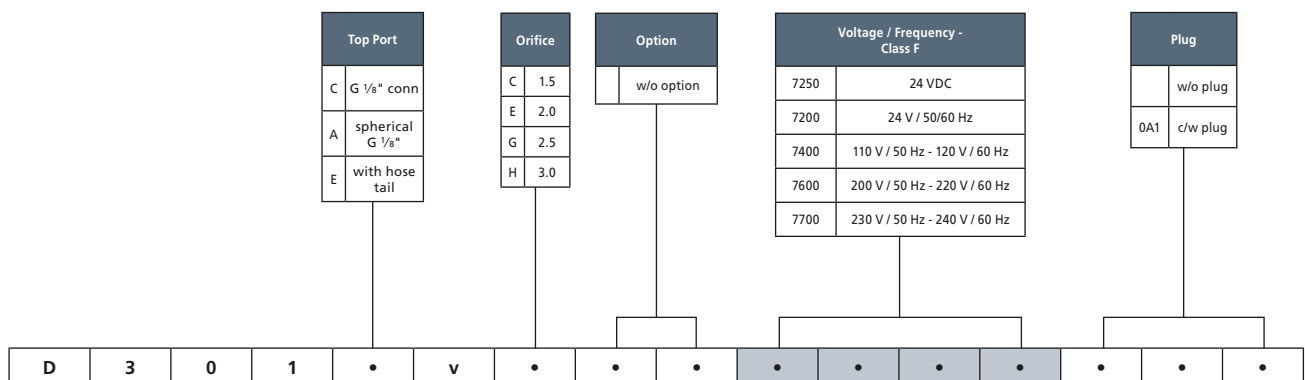


### Coding chart

#### Main Valve Assembly

#### Coil options

#### Plug



### Product coding example:

D301CVC 7250  
 G 1/8 connection, Flanged, auto operation, brass body, FKM seals, 1.5 mm orifice, 24 VDC, without plug.

# D301 Series (USA)

## Automation – 2/2 Normally Closed

Specifications	
Function (single acting)	<p>Flow direction underseat 2→1</p>
Maximum Viscosity	Max. 21cST (3 °E)
Body Material (Std)	Brass C37700 (UNS Designation)
Orifice Material	Stainless Steel AISI 303 (1.4305 EN 10088)
Flange	Stainless Steel AISI 303 (1.4305 EN 10088)
Tube	Stainless Steel AISI 304
Plunger	Stainless Steel AISI 430F (1.4106 EN 10088)
Top Stop	Stainless Steel AISI 430F (1.4105 EN 10088)
Springs	Stainless Steel AISI 302
Seal Material (Std)	Foodgrade FKM
Connection Type (Std)	Flanged 1.26x1.26 inches
Shading Ring	Copper
Electrical Characteristics <sup>1</sup>	
Standard Coil Voltage DC (=)	24 V
Standard Coil Voltage AC 50 Hz (-)	24 V, 110 V, 200 V, 230 V
Standard Coil Voltage AC 60 Hz (-)	24 V, 120 V, 220 V, 240 V
Voltage Tolerance	+10% to -15% (AC)
	+10% to -5% (DC)
Duty Cycle	100% ED
Enclosure Classification	NEMA type 4 (UL 50) and IP65 (EN 60529) with plug and gasket correctly fitted *
Electrical Connection	to EN 175301 - 803 - A (ex DIN 43650)
Coil Insulation Class	155 (F) to EN 60730-1
Power Rating (Standard)	AC 18 VA (holding) AC 36 VA (inrush) DC 14 W

<sup>1</sup> These coils are not UL approved.

### Features and Benefits

- Direct Acting
- Zero pressure rated
- Robust construction for industrial applications
- Stainless steel AISI 430F operators with low residual magnetism
- High quality seal materials
- Response time 5 to 25 ms



Pipe Size	Cv (gpm)	Kv (m <sup>3</sup> /h)	OPD psi (bar) <sup>2</sup>		Orifice inches (mm)	Seal Material	Valve Code
			AC Voltages	DC Voltages			
Flanged	0.09	0.08	0 - 261 (0 - 18)	0 - 261 (0 - 18)	1/16 (1.5)	FKM	D301CVC
Flanged	0.15	0.13	0 - 145 (0 - 10)	0 - 145 (0 - 10)	5/64 (2.0)	FKM	D301CVE
Flanged	0.24	0.20	0 - 102 (0 - 7)	0 - 102 (0 - 7)	3/32 (2.5)	FKM	D301CVG
Flanged	0.32	0.27	0 - 73 (0 - 5)	0 - 73 (0 - 5)	1/8 (3.0)	FKM	D301CVH

<sup>2</sup> The valve supplied carry a nameplate with pressure ratings marked in bar.

Seal Material <sup>3</sup> and Media Temperature Range	Media	Ambient Temperature Range	
		Min	Max
FKM 14 °F to 266 °F (-10 °C to +130 °C)	Water, oil, air	14 °F (-10 °C)	122 °F (+50 °C)

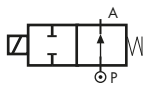
<sup>3</sup> See corrosion reference guide and sealing solutions for material compatibility.





# RB297 Series

## Automation – 2/2 Normally Open

Specifications	
Function (single acting)	 <p>Flow direction overseat 1 → 2</p>
Maximum Viscosity	Max. 21cST (3 °E)
Body Material (Std)	Low lead content Brass CW719R (EN 12165)
Orifice Material	Stainless Steel 1.4305 EN 10088 (AISI 303)
Flange Tube <sup>1</sup>	Brass CW614N (EN 12164)
Plunger and Top Stop	Stainless Steel 1.4105 EN 10088 (AISI 430F) or equivalent
Springs	Stainless Steel AISI 302
Seal Material (Std)	Foodgrade FKM
Connection Type (Std)	G parallel thread (ISO 228-1)
Shading Ring	Copper
Electrical Characteristics	
Standard Coil Voltage DC (=)	24 V
Standard Coil Voltage AC 50 Hz (-)	24 V, 110 V, 200 V, 230 V
Standard Coil Voltage AC 60 Hz (-)	24 V, 120 V, 220 V, 240 V
Voltage Tolerance	+10% to -15% (AC)
	+10% to -5% (DC)
Duty Cycle	100% ED
Protection Class	IP65 (EN 60529) with plug and gasket correctly fitted *
Electrical Connection	to industrial form B
Coil Insulation	Class F 155 °C
Power Rating (Standard)	AC 10 VA (holding) AC 16 VA (inrush) DC 7W

<sup>1</sup> With special nut for NO operator (different from Standard).

### Features and Benefits

- Direct Acting
- Robust construction for industrial applications
- Stainless steel AISI 430F operators with low residual magnetism
- Manufactured in compliance to RoHS directive and to relevant international standards
- High quality seal materials
- Response time 5 to 25 ms
- Valve suitable for contact with food media as per EEC Directives and Regulations. Please consult supplier for more details.



### Valve manufactured in conformity of all regulation and law CE:

- EC 1935/2004
- EC 2023/2006
- EC 10/2011 and all subsequent amended and integration
- For metal alloy different from stainless steel included superficial treatment in absence of specific national or international rule the conformity is evaluated following clause 3 of regulation EC 1935/2004 using resolution of European council as guide: Metal and Alloys used in food contact 1<sup>st</sup> edition 2013
- Italian law: D.M. 174 06/04/2004 drinkable water
- Italian law: D.M. 21/03/1973 and all subsequent amended and integration

Pipe Size	Cv (gpm)	Kv (m <sup>3</sup> /h)	OPD (bar)		Orifice (mm)	Seal Material	Valve Code
			AC Voltages	DC <sup>2</sup> Voltages			
1/8"	0.04	0.03	0 - 25	0 - 25	1.0	FKM EPDM	RB297DVA RB297DEA
1/8"	0.05	0.04	0 - 20	0 - 20	1.2	FKM EPDM	RB297DVB RB297DEB
1/8"	0.07	0.06	0 - 15	0 - 15	1.5	FKM EPDM	RB297DVC RB297DEC
1/8"	0.12	0.10	0 - 10	0 - 10	2.0	FKM EPDM	RB297DVE RB297DEE
1/8"	0.16	0.14	0 - 5	0 - 5	2.5	FKM EPDM	RB297DVG RB297DEG
1/8"	0.21	0.18	0 - 4.5	0 - 4.5	3.0	FKM EPDM	RB297DVH RB297DEH

<sup>2</sup> For continuous service in DC we recommend the use of M&M coils 10 Watt, class H (example 24 VDC 10W class H code 22V1, see options on [Page 300](#)).

### Options Available

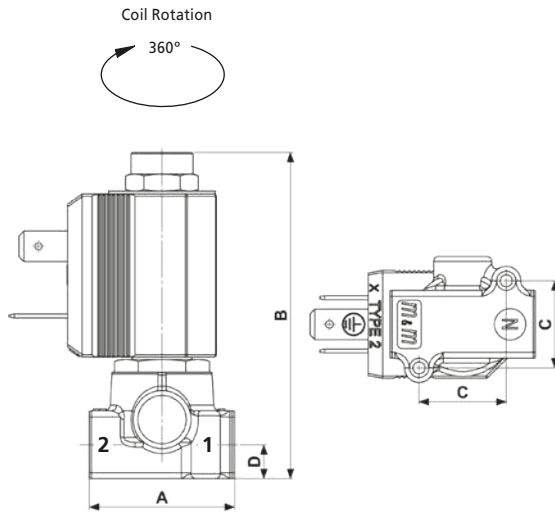
Valve Options
NPT threads (minimum batch may be required)
Electroless nickel plating treatment

Seal Material <sup>3</sup> and Media Temperature Range	Media	Ambient Temperature Range	
		Min	Max
FKM (-10 °C to +130 °C)	Water, oil, air	-10 °C	+50 °C
EPDM (-10 °C to +120 °C)	Water, hot water	-10 °C	+50 °C

<sup>3</sup> See corrosion reference guide and sealing solutions for material compatibility.

# RB297 Series

## Automation – 2/2 Normally Open



### Preferred Valve Mounting Options



Pipe Size	A	B	C	D	Weight (kg)
1/8"	30	67.5	18	7	0.15

Dimensions (mm)

### Solenoid enclosures

#### 2--0 Type Coil - Insulation class F

- External material: PBT (reinforced fibreglass 30%)
- Electrical connection: Industrial form B
- Winding insulation: Class H (E180)
- Enclosure classification: Conforms to IP65 (according to EN 60529) with plug and gasket correctly fitted\*



\* Plug and gasket not supplied as standard, must be ordered separately.

#### Type 600 001- Plug

- Rated Voltage (max.): 250 VAC / 300 VDC
- Nominal Current: 10A (rated) / 16A (max)
- Wire cross-section: 1.5 mm<sup>2</sup> max
- Cable Entry: PG9 (6 to 8 mm)
- Enclosure classification: Conforms to IP65 (according to EN 60529) with supplied gasket
- Insulation class: group C- VDE 0110
- Housing colour: black
- UL approved, file No: E205538



### Coding chart

#### Main Valve Assembly

#### Coil options

#### Plug

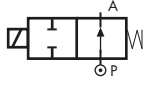
Seals					Orifice		Option		Voltage / Frequency - Class F				Plug		
V	FKM	A	1.0	N	NPT	2250	24 VDC							w/o plug	
E	EPDM	B	1.2	K	Electroless nickel plating	2200	24 V / 50/60 Hz							0B1	c/w plug
		C	1.5		w/o option	2400	110 V / 50 Hz - 120 V / 60 Hz								
		E	2.0			2600	200 V / 50 Hz - 220 V / 60 Hz								
		G	2.5			2700	230 V / 50 Hz - 240 V / 60 Hz								
		H	3.0												

### Product coding example:

RB297DEE 2250  
1/8" G, auto operation, brass body, EPDM seals, 2.0 mm orifice, 24 VDC, without plug.

# RB297 Series (USA)

Automation – 2/2 Normally Open

Specifications	
Function (single acting)	 <p>Flow direction overseat 1 → 2</p>
Maximum Viscosity	Max. 21cST (3 °E)
Body Material (Std)	Low lead content Brass C46400 (UNS Designation)
Orifice Material	Stainless Steel AISI 303 (1.4305 EN 10088)
Flange Tube <sup>1</sup>	Brass C37700 (UNS Designation)
Plinger and Top Stop	Stainless Steel AISI 430F or equivalent
Springs	Stainless Steel AISI 302
Seal Material (Std)	Foodgrade FKM
Connection Type	NPT
Shading Ring	Copper
Electrical Characteristics <sup>1</sup>	
Standard Coil Voltage DC (=)	24 V
Standard Coil Voltage AC 50 Hz (-)	24 V, 110 V, 200 V, 230 V
Standard Coil Voltage AC 60 Hz (-)	24 V, 120 V, 220 V, 240 V
Voltage Tolerance	+10% to -15% (AC)
	+10% to -5% (DC)
Duty Cycle	100% ED
Enclosure Classification	NEMA type 4 (UL 50) and IP65 (EN 60529) with plug and gasket correctly fitted *
Electrical Connection	to industrial form B
Coil Insulation Class	155 (F) to UL429 and to EN 60730-1
Power Rating (Standard)	AC 10 VA (holding) AC 16 VA (inrush) DC 10 W

<sup>1</sup> These coils are not UL approved.

## Features and Benefits

- Direct Acting
- Robust construction for industrial applications
- Stainless steel AISI 430F operators with low residual magnetism
- High quality seal materials
- Response time 5 to 25 ms
- Valve suitable for contact with food media when used with FKM seals, as per EEC Directives and Regulations. Please consult supplier for more details



Pipe Size	Cv (gpm)	Kv (m <sup>3</sup> /h)	OPD psi (bar)		Orifice inches (mm)	Seal Material	Valve Code
			AC Voltages	DC Voltages			
1/8	0.04	0.03	0 - 362 (0 - 25)	0 - 362 (0 - 25)	3/64 (1.0)	FKM EPDM	RB297D <del>V</del> AN RB297D <del>E</del> AN
1/8	0.05	0.04	0 - 290 (0 - 20)	0 - 290 (0 - 20)	3/64 (1.2)	FKM EPDM	RB297D <del>V</del> BN RB297D <del>E</del> BN
1/8	0.07	0.06	0 - 218 (0 - 15)	0 - 218 (0 - 15)	1/16 (1.5)	FKM EPDM	RB297D <del>V</del> CN RB297D <del>E</del> CN
1/8	0.12	0.10	0 - 145 (0 - 10)	0 - 145 (0 - 10)	5/64 (2.0)	FKM EPDM	RB297D <del>V</del> EN RB297D <del>E</del> EN
1/8	0.16	0.14	0 - 73 (0 - 5)	0 - 73 (0 - 5)	3/32 (2.5)	FKM EPDM	RB297D <del>V</del> GN RB297D <del>E</del> GN
1/8	0.21	0.18	0 - 65 (0 - 4.5)	0 - 65 (0 - 4.5)	1/8 (3.0)	FKM EPDM	RB297D <del>V</del> HN RB297D <del>E</del> HN

## Options Available

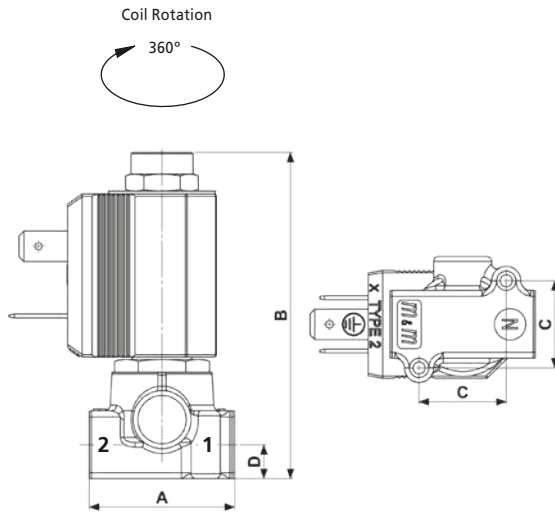
Valve Options
G parallel thread (ISO 228-1)
Electroless nickel plating treatment

Seal Material <sup>2</sup> and Media Temperature Range	Media	Ambient Temperature Range	
		Min	Max
FKM 14 °F to 266 °F (-10 °C to +130 °C)	Water, oil, air	14 °F (-10 °C)	122 °F (+50 °C)
EPDM 14 °F to 248 °F (-10 °C to +120 °C)	Water, hot water	14 °F (-10 °C)	122 °F (+50 °C)

<sup>2</sup> See corrosion reference guide and sealing solutions for material compatibility.

# RB297 Series (USA)

Automation – 2/2 Normally Open



Preferred Valve Mounting Options



Pipe Size	A	B	C	D	Weight Lb (kg)
1/8	1.18 (30)	2.66 (67.5)	0.71 (18)	0.28 (7)	0.33 (0.15)

Dimensions inches (mm)

## Solenoid enclosures

### 2--0 Type Coil - Insulation class F

- External material: PBT (reinforced fibreglass 30%)
- Electrical connection: Industrial form B
- Winding insulation: Class H (E180)
- Enclosure classification: Conforms to NEMA type 4 (UL 50) and IP65 (according to EN 60529) with plug and gasket correctly fitted\*



\* Plug and gasket not supplied as standard, must be ordered separately.

### Type 600 001- Plug

- Rated Voltage (max.): 250 VAC / 300 VDC
- Nominal Current: 10A (rated) / 16A (max)
- Wire cross-section: 0.0023 inch<sup>2</sup> max (1.5 mm<sup>2</sup> max)
- Cable Entry: PG9 (0.24 to 0.31 inch / 6 to 8 mm)
- Enclosure classification: Conforms to IP65 (according to EN 60529) with supplied gasket
- Insulation class: group C- VDE 0110
- Housing colour: black
- UL approved, file No: E205538



## Coding chart

### Main Valve Assembly

Seals		Orifice		Thread Pipe		Option	
V	FKM	A	3/64	N	NPT	K	Electroless nickel plating
E	EPDM	B	3/64		GAS		w/o option
		C	1/16				
		E	5/64				
		G	3/32				
		H	1/8				

### Coil options

Voltage / Frequency - CE Type, Class F	
2250	24 VDC
2200	24 V / 50/60 Hz
2400	110 V / 50 Hz - 120 V / 60 Hz
2600	200 V / 50 Hz - 220 V / 60 Hz
2700	230 V / 50 Hz - 240 V / 60 Hz

### Plug

Plug	
	w/o plug
0B1	c/w plug

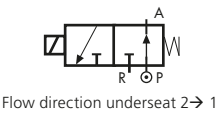
RB	2	9	7	D	•	•	N	•	•	•	•	•	•	•	•	•	•	•
----	---	---	---	---	---	---	---	---	---	---	---	---	---	---	---	---	---	---

### Product coding example:

RB297DEE 2250  
1/8" G, auto operation, brass body, EPDM seals, 5/64 orifice, 24 VDC, without plug.

# RD301 Series

## Automation – 2/2 Normally Open

Specifications	
Function (single acting)	 <p>Flow direction underseat 2 → 1</p>
Maximum Viscosity	Max. 21cST (3 °E)
Body Material (Std)	Brass CW617N (EN 12165)
Orifice Material	Stainless Steel 1.4305 EN 10088 (AISI 303)
Flange Tube	Stainless Steel 1.4305 EN 10088 (AISI 303)
Plunger	Stainless Steel 1.4106 EN 10088 (AISI 430F)
Top Stop	Stainless Steel 1.4105 EN 10088 (AISI 430F)
Springs	Stainless Steel AISI 302
Seal Material	Foodgrade FKM
Connection Type (Std)	Flanged 26x26 mm
Shading Ring	Copper
Electrical Characteristics	
Standard Coil Voltage DC (=)	24 V
Standard Coil Voltage AC 50 Hz (-)	24 V, 110 V, 200 V, 230 V
Standard Coil Voltage AC 60 Hz (-)	24 V, 120 V, 220 V, 240 V
Voltage Tolerance	+10% to -15% (AC)
	+10% to -5% (DC)
Duty Cycle	100% ED
Protection Class	IP65 (EN 60529) with plug and gasket correctly fitted *
Electrical Connection	to EN 175301 - 803 - A (ex DIN 43650)
Coil Insulation	Class H 180 °C
Power Rating (Standard)	AC 18 VA (holding) AC 36 VA (inrush) DC 14 W

### Features and Benefits

- Direct Acting
- Zero pressure rated
- Robust construction for industrial applications
- Stainless steel AISI 430F operators with low residual magnetism
- Manufactured in compliance to RoHS directive and to relevant international standards
- High quality seal materials
- Response time 5 to 25 ms



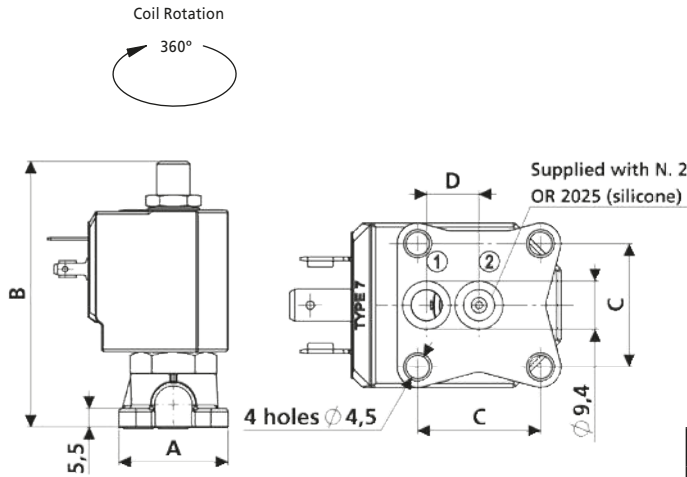
Pipe Size	Cv (gpm)	Kv (m³/h)	OPD (bar)		Orifice (mm)	Seal Material	Valve Code
			AC Voltages	DC Voltages			
Flanged	0.09	0.08	0 - 15	0 - 15	1.5	FKM	RD301CVC
Flanged	0.15	0.13	0 - 10	0 - 10	2.0	FKM	RD301CVE
Flanged	0.32	0.27	0 - 4	0 - 4	3.0	FKM	RD301CVH

Seal Material <sup>1</sup> and Media Temperature Range	Media	Ambient Temperature Range	
		Min	Max
FKM (-10 °C to +130 °C)	Water, oil, air	-10 °C	+50 °C

<sup>1</sup> See corrosion reference guide and sealing solutions for material compatibility.

# RD301 Series

## Automation – 2/2 Normally Open



### Preferred Valve Mounting Options



Pipe Size	A	B	C	D	Weight (kg)
Flanged	32	77.7	24	10.25	0.26

Dimensions (mm)

### Solenoid enclosures

#### 7--1 Type Coil - Insulation class H

External material: PPS (fibreglass & mineral filled)  
 Electrical connection: DIN EN 175301-803 form A  
 Winding insulation: Class H (E180)  
 Enclosure classification: Conforms to IP65 (according to EN 60529) with plug and gasket correctly fitted\*



\* Plug and gasket not supplied as standard, must be ordered separately.

#### Type 600 011- Plug

Rated Voltage (max.): 250 VAC / 300 VDC  
 Nominal Current: 10A (rated) / 16A (max)  
 Wire cross-section: 1.5 mm<sup>2</sup> max  
 Cable Entry: PG9 (6 to 8 mm)  
 Enclosure classification: Conforms to IP65 (according to EN 60529) with supplied gasket  
 Insulation class: group C- VDE 0110  
 Housing colour: black  
 UL approved, file No: E205538

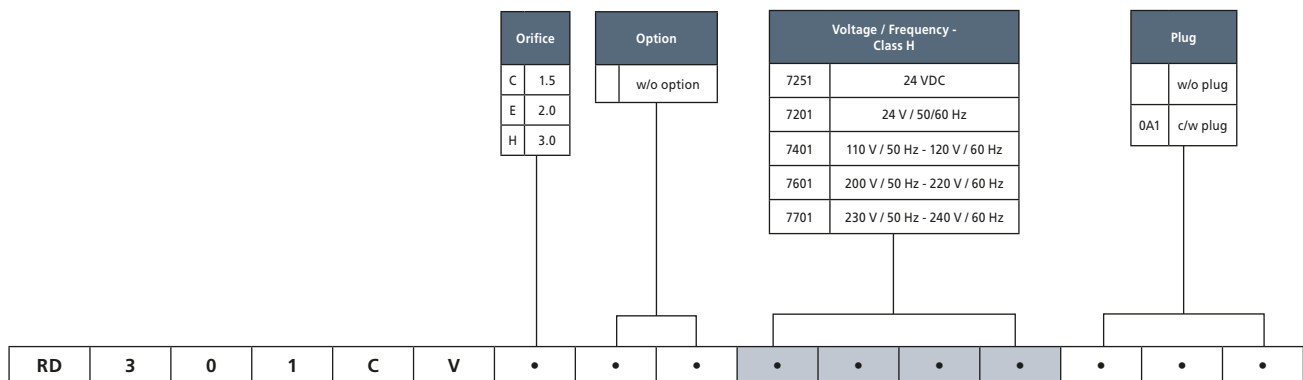


### Coding chart

#### Main Valve Assembly

#### Coil options

#### Plug




### Product coding example:

RD301CVC 7251  
 Flanged, auto operation, brass body, FKM seals, 1.5 mm orifice, 24 VDC, without plug.

# RD301 Serie (USA)

Automation – 2/2 Normally Open

Specifications	
Function (single acting)	 <p>Flow direction underseat 2→1</p>
Maximum Viscosity	Max. 21cST (3 °E)
Body Material (Std)	Brass C37700 (UNS Designation)
Orifice Material	Stainless Steel AISI 303 (1.4305 EN 10088)
Flange Tube	Stainless Steel AISI 303 (1.4305 EN 10088)
Plunger	Stainless Steel AISI 430F (1.4106 EN 10088)
Top Stop	Stainless Steel AISI 430F (1.4105 EN 10088)
Springs	Stainless Steel AISI 302
Seal Material	Foodgrade FKM
Connection Type (Std)	Flanged 1.26x1.26 inches
Shading Ring	Copper
Electrical Characteristics <sup>1</sup>	
Standard Coil Voltage DC (=)	24 V
Standard Coil Voltage AC 50 Hz (-)	24 V, 110 V, 200 V, 230 V
Standard Coil Voltage AC 60 Hz (-)	24 V, 120 V, 220 V, 240 V
Voltage Tolerance	+10% to -15% (AC)
	+10% to -5% (DC)
Duty Cycle	100% ED
Enclosure Classification	NEMA type 4 (UL 50) and IP65 (EN 60529) with plug and gasket correctly fitted *
Electrical Connection	to EN 175301 - 803 - A (ex DIN 43650)
Coil Insulation Class	180 (H) to EN 60730-1
Power Rating (Standard)	AC 18 VA (holding) AC 36 VA (inrush) DC 14 W

<sup>1</sup> These coils are not UL approved.

## Features and Benefits

- Direct Acting
- Zero pressure rated
- Robust construction for industrial applications
- Stainless steel AISI 430F operators with low residual magnetism
- High quality seal materials
- Response time 5 to 25 ms



Pipe Size	Cv (gpm)	Kv (m <sup>3</sup> /h)	OPD psi (bar) <sup>2</sup>		Orifice inches (mm)	Seal Material	Valve Code
			AC Voltages	DC Voltages			
Flanged	0.09	0.08	0 - 218 (0 - 15)	0 - 218 (0 - 15)	1/16 (1.5)	FKM	RD301CVC
Flanged	0.15	0.13	0 - 145 (0 - 10)	0 - 145 (0 - 10)	5/64 (2.0)	FKM	RD301CVE
Flanged	0.32	0.27	0 - 58 (0 - 4)	0 - 58 (0 - 4)	1/8 (3.0)	FKM	RD301CVH

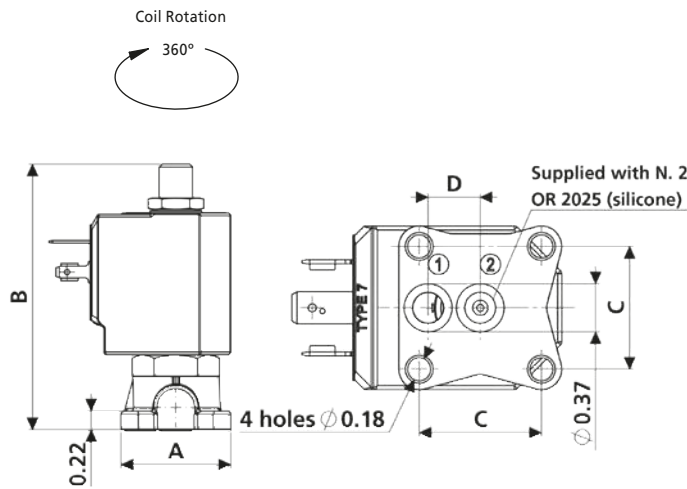
<sup>2</sup> The valve supplied carry a nameplate with pressure ratings marked in bar.

Seal Material <sup>3</sup> and Media Temperature Range	Media	Ambient Temperature Range	
		Min	Max
FKM 14 °F to 266 °F (-10 °C to +130 °C)	Water, oil, air	14 °F (-10 °C)	122 °F (+50 °C)

<sup>3</sup> See corrosion reference guide and sealing solutions for material compatibility.

# RD301 Series (USA)

Automation – 2/2 Normally Open



Preferred Valve Mounting Options



Pipe Size	A	B	C	D	Weight Lb (kg)
Flanged	1.26 (32)	3.06 (77.7)	0.94 (24)	0.40 (10.25)	0.55 (0.25)

Dimensions inches (mm)

## Solenoid enclosures

### 7--1 Type Coil - Insulation class H

- External material: PPS (fibreglass & mineral filled)
- Electrical connection: DIN EN 175301-803 form A
- Winding insulation: Class H (E180)
- Enclosure classification: Conforms to NEMA type 4 (UL 50) and IP65 (according to EN 60529) with plug and gasket correctly fitted\*



\* Plug and gasket not supplied as standard, must be ordered separately.

### Type 600 011- Plug

- Rated Voltage (max.): 250 VAC / 300 VDC
- Nominal Current: 10A (rated) / 16A (max)
- Wire cross-section: 0.0023 inch<sup>2</sup> max (1.5 mm<sup>2</sup> max)
- Cable Entry: PG9 (0.24 to 0.31 inch / 6 to 8 mm)
- Enclosure classification: Conforms to IP65 (according to EN 60529) with supplied gasket
- Insulation class: group C- VDE 0110
- Housing colour: black
- UL approved, file No: E205538

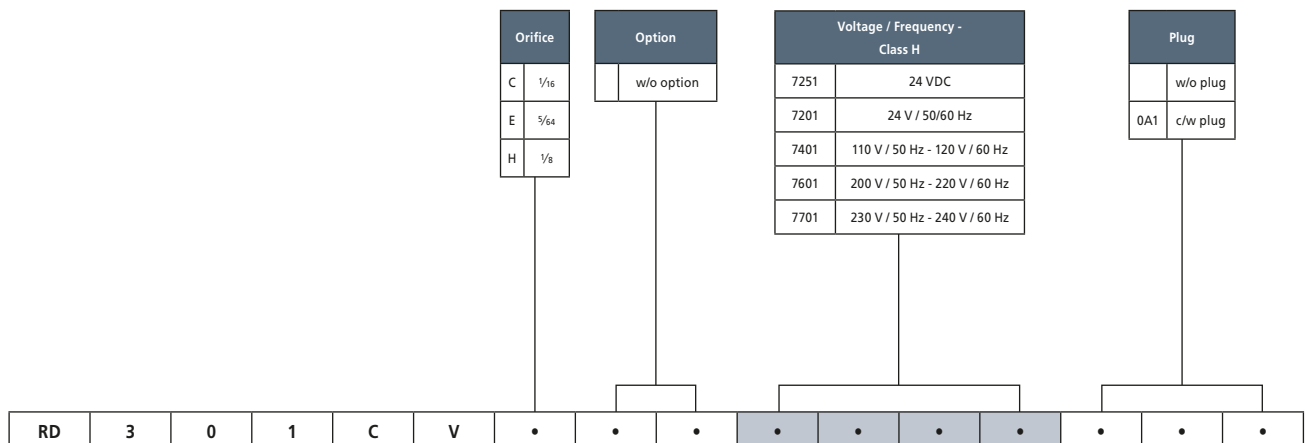


## Coding chart

### Main Valve Assembly

### Coil options

### Plug



### Product coding example:

RD301CVC 7251  
Flanged, auto operation, brass body, FKM seals, 1/16 orifice, 24 VDC, without plug.



# SB397 Series

## Automation – 2nd Service 3/2 Normally Open

Specifications	
Function (single acting)	<p>Flow direction OFF 3 → 1 - ON 1 → 2</p>
Maximum Viscosity	Max. 21cST (3 °E)
Body Material (Std)	Low lead content Brass CW719R (EN 12165)
Orifice Material	Stainless Steel 1.4305 EN 10088 (AISI 303)
Tube	Stainless Steel AISI 304
Flange	Stainless Steel 1.4305 EN 10088 (AISI 303)
Plunger	Stainless Steel 1.4105 EN 10088 (AISI 430F) or equivalent
Top Stop	Stainless Steel 1.4105 EN 10088 (AISI 430F)
Springs	Stainless Steel AISI 302
Seal Material (Std)	Foodgrade FKM
Connection Type (Std)	G parallel thread (ISO 228-1)
Shading Ring	Copper
Electrical Characteristics	
Standard Coil Voltage DC (=)	24 V
Standard Coil Voltage AC 50 Hz (-)	24 V, 110 V, 200 V, 230 V
Standard Coil Voltage AC 60 Hz (-)	24 V, 120 V, 220 V, 240 V
Voltage Tolerance	+10% to -15% (AC)
	+10% to -5% (DC)
Duty Cycle	100% ED
Protection Class	IP65 (EN 60529) with plug and gasket correctly fitted *
Electrical Connection	to industrial form B
Coil Insulation	Class F 155 °C
Power Rating (Standard)	AC 10 VA (holding) AC 16 VA (inrush) DC 7 W

### Features and Benefits

- Direct Acting
- Robust construction for industrial applications
- Zero pressure rated
- Stainless steel AISI 430F operators with low residual magnetism
- Manufactured in compliance to RoHS directive and to relevant international standards
- High quality seal materials
- Valve suitable for contact with food media as per the EEC Directives and Regulations. Please consult supplier for more details
- Response time 5 to 25 ms



Pipe Size	Cv (gpm)	Kv (m³/h)	OPD (bar)		Orifice (mm)		Seal Material	Valve Code
			AC Voltages	DC Voltages	1→2	1→3		
1/8"	0.05	0.04	0 - 6	0 - 3	1.2	1.7	FKM	SB397C <u>Y</u> B
1/8"	0.07	0.06	0 - 4.5	0 - 2	1.5	1.7	FKM	SB397C <u>Y</u> C

### Options Available

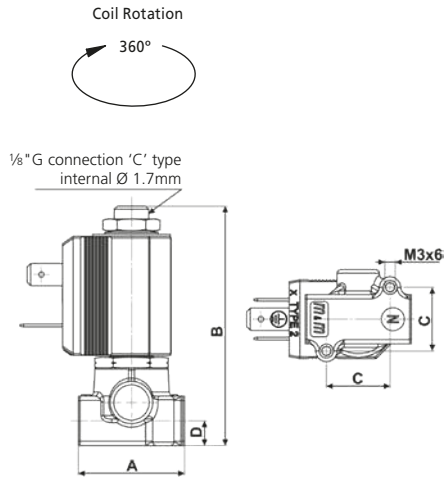
Valve Options (see coding chart)
NPT threads (minimum batch may be required)
Manual Override
Electroless nickel plating treatment

Seal Material <sup>1</sup> and Media Temperature Range	Media	Ambient Temperature Range	
		Min	Max
FKM (-10 °C to +130 °C)	Water, oil, air	-10 °C	+50 °C

<sup>1</sup> See corrosion reference guide and sealing solutions for material compatibility.

# SB397 Series

Automation – 2nd Service 3/2 Normally Open



Preferred Valve Mounting Options



Pipe Size	A	B	C	D	Weight (kg)
1/8"	30	67.8	18	7	0.15

Dimensions (mm)

## Solenoid enclosures

### 2--0 Type Coil - Insulation class F

- External material: PBT (reinforced fibreglass 30%)
- Electrical connection: Industrial form B
- Winding insulation: Class H (E180)
- Enclosure classification: Conforms to IP65 (according to EN 60529) with plug and gasket correctly fitted\*



\* Plug and gasket not supplied as standard, must be ordered separately.

### Type 600 001- Plug

- Rated Voltage (max.): 250 VAC / 300 VDC
- Nominal Current: 10A (rated) / 16A (max)
- Wire cross-section: 1.5 mm<sup>2</sup> max
- Cable Entry: PG9 (6 to 8mm)
- Enclosure classification: Conforms to IP65 (according to EN 60529) with supplied gasket
- Insulation class: group C- VDE 0110
- Housing colour: black
- UL approved, file No: E205538



## Coding chart

### Main Valve Assembly

### Coil options

### Plug

Main Valve Assembly							Coil options				Plug	
Orifice		Option		Voltage / Frequency - Class F				Plug				
B	1.2	N	NPT	2250	24 VDC			0B1	c/w plug			
C	1.5	M	Manual Override	2200	24 V / 50/60 Hz				w/o plug			
		K	Electroless nickel plating	2400	110 V / 50 Hz - 120 V / 60 Hz							
			w/o option	2600	200 V / 50 Hz - 220 V / 60 Hz							
				2700	230 V / 50 Hz - 240 V / 60 Hz							

SB	3	9	7	C	V	.	.	.	.	.	.	.	.	.
----	---	---	---	---	---	---	---	---	---	---	---	---	---	---

### Product coding example:

SB397CVB 2250  
1/8" G, auto operation, brass body, FKM seals, 1.2 mm orifice, with manual override, 24 VDC, without plug.

# SB397 Series (USA)

## Automation – 2nd Service 3/2 Normally Open

Specifications	
Function (single acting)	<p>Flow direction OFF 3 → 1 - ON 1 → 2</p>
Maximum Viscosity	Max. 21cST (3 °E)
Body Material (Std)	Low lead content Brass C46400 (UNS Designation)
Orifice Material	Stainless Steel AISI 303 (1.4305 EN 10088)
Tube	Stainless Steel AISI 304
Flange	Stainless Steel AISI 303 (1.4305 EN 10088)
Plunger	Stainless Steel AISI 430F or equivalent
Top Stop	Stainless Steel AISI 430F (1.4105 EN 10088)
Springs	Stainless Steel AISI 302
Seal Material (Std)	Foodgrade FKM
Connection Type	NPT
Shading Ring	Copper
Electrical Characteristics <sup>1</sup>	
Standard Coil Voltage DC (=)	24 V
Standard Coil Voltage AC 50 Hz (-)	24 V, 110 V, 200 V, 230 V
Standard Coil Voltage AC 60 Hz (-)	24 V, 120 V, 220 V, 240 V
Voltage Tolerance	+10% to -15% (AC)
	+10% to -5% (DC)
Duty Cycle	100% ED
Enclosure Classification	NEMA type 4 (UL 50) and IP65 (EN 60529) with plug and gasket correctly fitted *
Electrical Connection	to industrial form B
Coil Insulation Class	155 (F) to UL429 and to EN 60730-1
Power Rating (Standard)	AC 10V A (holding) AC 16 VA (inrush) DC 10 W

<sup>1</sup> These coils are not UL approved.

### Features and Benefits

- Direct Acting
- Robust construction for industrial applications
- Zero pressure rated
- Stainless steel AISI 430F operators with low residual magnetism
- High quality seal materials
- Valve suitable for contact with food media when used with FKM seals, as per the EEC Directives and Regulations. Please consult supplier for more details
- Response time 5 to 25 ms



Pipe Size	Cv (gpm)	Kv (m <sup>3</sup> /h)	OPD psi (bar)		Orifice inches (mm)		Seal Material	Valve Code
			AC Voltages	DC Voltages	1→2	1→3		
1/8	0.05	0.04	0 - 87 (0 - 6)	0 - 44 (0 - 3)	3/64 (1.2)	1/16 (1.7)	FKM	SB397C√BN
1/8	0.07	0.06	0 - 65 (0 - 4.5)	0 - 29 (0 - 2)	1/16 (1.5)	1/16 (1.7)	FKM	SB397C√CN

### Options Available

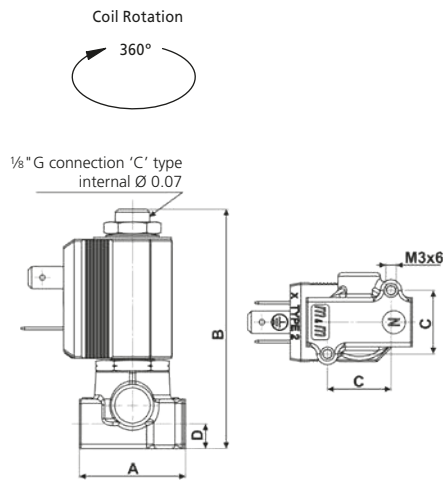
Valve Options (see coding chart)
G parallel thread (ISO 228-1)
Manual Override
Electroless nickel plating treatment

Seal Material <sup>2</sup> and Media Temperature Range	Media	Ambient Temperature Range	
		Min	Max
FKM 14 °F to 266 °F (-10 °C to +130 °C)	Water, oil, air	14 °F (-10 °C)	122 °F (+50 °C)

<sup>2</sup> See corrosion reference guide and sealing solutions for material compatibility.

# SB397 Series (USA)

Automation – 2nd Service 3/2 Normally Open



Preferred Valve Mounting Options



Pipe Size	A	B	C	D	Weight Lb (kg)
1/8	1.18 (30)	2.67 (67.8)	0.71 (18)	0.28 (7)	0.33 (0.15)

Dimensions inches (mm)

## Solenoid enclosures

### 2--0 Type Coil - Insulation class F

External material: PBT (reinforced fibreglass 30%)  
 Electrical connection: Industrial form B  
 Winding insulation: Class H (E180)  
 Enclosure classification: Conforms to NEMA type 4 (UL 50) and IP65 (according to EN 60529) with plug and gasket correctly fitted\*



\* Plug and gasket not supplied as standard, must be ordered separately.

### Type 600 001- Plug

Rated Voltage (max.): 250 VAC / 300 VDC  
 Nominal Current: 10A (rated) / 16A (max)  
 Wire cross-section: 0.0023 inch<sup>2</sup> max (1.5 mm<sup>2</sup> max)  
 Cable Entry: PG9 (0.24 to 0.31 inch / 6 to 8 mm)  
 Enclosure classification: Conforms to IP65 (according to EN 60529) with supplied gasket  
 Insulation class: group C- VDE 0110  
 Housing colour: black  
 UL approved, file No: E205538



## Coding chart

### Main Valve Assembly

### Coil options

### Plug

Main Valve Assembly						Coil options					Plug		
Orifice		Thread Pipe		Option		Voltage / Frequency - CE Type, Class F					Plug		
B	3/64	N	NPT	M	Manual Override	2250	24 VDC				0B1	c/w plug	
C	1/16		GAS	K	Electroless nickel plating	2200	24 V / 50/60 Hz					w/o plug	
					w/o option	2400	110 V / 50 Hz - 120 V / 60 Hz						
						2600	200 V / 50 Hz - 220 V / 60 Hz						
						2700	230 V / 50 Hz - 240 V / 60 Hz						

SB	3	9	7	C	V	•	N	•	•	•	•	•	•	•
----	---	---	---	---	---	---	---	---	---	---	---	---	---	---

### Product coding example:

SB397CVBN 2250  
 1/8 NPT, auto operation, brass body, FKM seals, 3/64 orifice, with manual override, 24 VDC, without plug.

# RB397 Series

## Automation – 3/2 Normally Open

Specifications	
Function (single acting)	<p>Flow direction underseat 2 → 1</p>
Maximum Viscosity	Max. 21cST (3 °E)
Body Material (Std)	Low lead content Brass CW719R (EN 12165)
Orifice Material	Stainless Steel 1.4305 EN 10088 (AISI 303)
Tube	Stainless Steel AISI 304
Flange	Stainless Steel 1.4305 EN 10088 (AISI 303)
Plunger	Stainless Steel 1.4105 EN 10088 (AISI 430F) or equivalent
Top Stop	Stainless Steel 1.4105 EN 10088 (AISI 430F)
Springs	Stainless Steel AISI 302
Seal Material (Std)	Foodgrade FKM
Connection Type (Std)	G parallel thread (ISO 228-1)
Shading Ring	Copper
Electrical Characteristics	
Standard Coil Voltage DC (=)	24 V
Standard Coil Voltage AC 50 Hz (-)	24 V, 110 V, 200 V, 230 V
Standard Coil Voltage AC 60 Hz (-)	24 V, 120 V, 220 V, 240 V
Voltage Tolerance	+10% to -15% (AC)
	+10% to -5% (DC)
Duty Cycle	100% ED
Protection Class	IP65 (EN 60529) with plug and gasket correctly fitted *
Electrical Connection	to industrial form B
Coil Insulation	Class F 155 °C
Power Rating (Standard)	AC 10 VA (holding) AC 16 VA (inrush) DC 7 W

### Features and Benefits

- Direct Acting
- Robust construction for industrial applications
- Zero pressure rated
- Stainless steel AISI 430F operators with low residual magnetism
- Manufactured in compliance to RoHS directive and to relevant international standards
- Choice of high quality seal materials
- Valve suitable for contact with food media as per the EEC Directives and Regulations. Please consult supplier for more details
- Response time 5 to 25 ms



### Valve manufactured in conformity of all regulation and law CE:

- EC 1935/2004
- EC 2023/2006
- EC 10/2011 and all subsequent amended and integration
- For metal alloy different from stainless steel included superficial treatment in absence of specific national or international rule the conformity is evaluated following clause 3 of regulation EC 1935/2004 using resolution of European council as guide: Metal and Alloys used in food contact 1<sup>st</sup> edition 2013
- Italian law: D.M. 174 06/04/2004 drinkable water
- Italian law: D.M. 21/03/1973 and all subsequent amended and integration

Pipe Size	Cv (gpm)	Kv (m <sup>3</sup> /h)	OPD (bar)		Orifice (mm)	Seal Material	Valve Code
			AC Voltages	DC Voltages			
1/8"	0.04	0.03	0 - 15	0 - 12	1.0	FKM EPDM	RB397CVYA RB397CEA
1/8"	0.05	0.04	0 - 15	0 - 12	1.2	FKM EPDM	RB397CVB RB397CEB
1/8"	0.07	0.06	0 - 10	0 - 8	1.5	FKM EPDM	RB397CVC RB397CEC
1/8"	0.13	0.11	0 - 8	0 - 6	2.0	FKM EPDM	RB397CVE RB397CEE
1/8"	0.18	0.15	0 - 4	0 - 4	2.5	FKM EPDM	RB397CVG RB397CEG
1/8"	0.25	0.21	0 - 3.5	0 - 3.5	3.0	FKM EPDM	RB397CVH RB397CEH

### Options Available

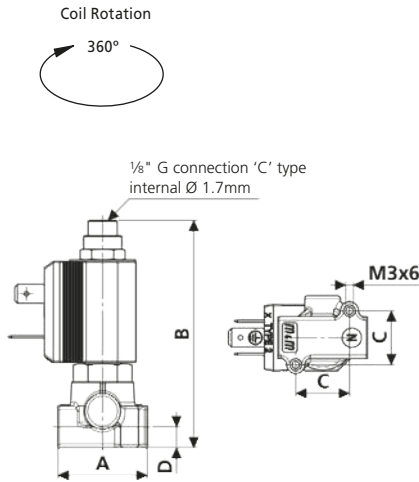
Valve Options (see coding chart)
Electroless nickel plating treatment

Seal Material <sup>1</sup> and Media Temperature Range	Media	Ambient Temperature Range	
		Min	Max
FKM (-10 °C to +130 °C)	Water, oil, air	-10 °C	+50 °C
EPDM (-10 °C to +120 °C)	Water, hot water	-10 °C	+50 °C

<sup>1</sup> See corrosion reference guide and sealing solutions for material compatibility.

# RB397 Series

## Automation – 3/2 Normally Open



### Preferred Valve Mounting Options



Pipe Size	A	B	C	D	Weight (kg)
1/8"	30	75.9	18	7	0.15

Dimensions (mm)

### Solenoid enclosures

#### 2--0 Type Coil - Insulation class F

- External material: PBT (reinforced fibreglass 30%)
- Electrical connection: Industrial form B
- Winding insulation: Class H (E180)
- Enclosure classification: Conforms to IP65 (according to EN 60529) with plug and gasket correctly fitted\*



\* Plug and gasket not supplied as standard, must be ordered separately.

#### Type 600 001- Plug

- Rated Voltage (max.): 250 VAC / 300 VDC
- Nominal Current: 10A (rated) / 16A (max)
- Wire cross-section: 1.5 mm<sup>2</sup> max
- Cable Entry: PG9 (6 to 8 mm)
- Enclosure classification: Conforms to IP65 (according to EN 60529) with supplied gasket
- Insulation class: group C- VDE 0110
- Housing colour: black
- UL approved, file No: E205538



### Coding chart

#### Main Valve Assembly

#### Coil options

#### Plug

Main Valve Assembly					Coil options				Plug			
Seals		Orifice		Option		Voltage / Frequency - Class F				Plug		
V	FKM	A	1.0	K	Electroless nickel plating	2250	24 VDC			081	c/w plug	
E	EPDM	B	1.2		w/o option	2200	24 V / 50/60 Hz				w/o plug	
		C	1.5			2400	110 V / 50 Hz - 120 V / 60 Hz					
		E	2.0			2600	200 V / 50 Hz - 220 V / 60 Hz					
		G	2.5			2700	230 V / 50 Hz - 240 V / 60 Hz					
		H	3.0									
RB	3	9	7	C	.	.	.	.	.	.	.	.

### Product coding example:

RB397CVB 2400  
1/8" G, auto operation, brass body, FKM seals, 1.2 mm orifice, 110 V / 50 Hz - 120 V / 60 Hz, without plug.

# RB397 Series (USA)

## Automation – 3/2 Normally Open

Specifications	
Function (single acting)	<p>Flow direction underseat 2 → 1</p>
Maximum Viscosity	Max. 21cST (3 °E)
Body Material (Std)	Low lead content Brass C46400 (UNS Designation)
Orifice Material	Stainless Steel AISI 303 (1.4305 EN 10088)
Tube	Stainless Steel AISI 304
Flange	Stainless Steel AISI 303 (1.4305 EN 10088)
Plunger	Stainless Steel AISI 430F or equivalent
Top Stop	Stainless Steel AISI 430F (1.4105 EN 10088)
Springs	Stainless Steel AISI 302
Seal Material (Std)	Foodgrade FKM
Connection Type	NPT
Shading Ring	Copper
Electrical Characteristics <sup>1</sup>	
Standard Coil Voltage DC (=)	24 V
Standard Coil Voltage AC 50 Hz (-)	24 V, 110 V, 200 V, 230 V
Standard Coil Voltage AC 60 Hz (-)	24 V, 120 V, 220 V, 240 V
Voltage Tolerance	+10% to -15% (AC)
	+10% to -5% (DC)
Duty Cycle	100% ED
Enclosure Classification	NEMA type 4 (UL 50) and IP65 (EN 60529) with plug and gasket correctly fitted *
Electrical Connection	to industrial form B
Coil Insulation Class	155 (F) to UL429 and to EN 60730-1
Power Rating (Standard)	AC 10 VA (holding) AC 16 VA (inrush) DC 10 W

<sup>1</sup> These coils are not UL approved.

### Features and Benefits

- Direct Acting
- Robust construction for industrial applications
- Zero pressure rated
- Stainless steel AISI 430F operators with low residual magnetism
- Choice of high quality seal materials
- Valve suitable for contact with food media when used with FKM seals, as per the EEC Directives and Regulations. Please consult supplier for more details
- Response time 5 to 25 ms



Pipe Size	Cv (gpm)	Kv (m³/h)	OPD psi (bar)		Orifice inches (mm)	Seal Material	Valve Code
			AC Voltages	DC Voltages			
1/8	0.04	0.03	0 - 218 (0 - 15)	0 - 174 (0 - 12)	3/64 (1.0)	FKM EPDM	RB397CVAN RB397CEAN
1/8	0.05	0.04	0 - 218 (0 - 15)	0 - 174 (0 - 12)	3/64 (1.2)	FKM EPDM	RB397CVBN RB397CEBN
1/8	0.07	0.06	0 - 145 (0 - 10)	0 - 116 (0 - 8)	1/16 (1.5)	FKM EPDM	RB397CVCN RB397CECN
1/8	0.13	0.11	0 - 116 (0 - 8)	0 - 87 (0 - 6)	5/64 (2.0)	FKM EPDM	RB397CVEN RB397CEEN
1/8	0.18	0.15	0 - 58 (0 - 4)	0 - 58 (0 - 4)	3/32 (2.5)	FKM EPDM	RB397CVGN RB397CEGN
1/8	0.25	0.21	0 - 51 (0 - 3.5)	0 - 51 (0 - 3.5)	1/8 (3.0)	FKM EPDM	RB397CVHN RB397CEHN

### Options Available

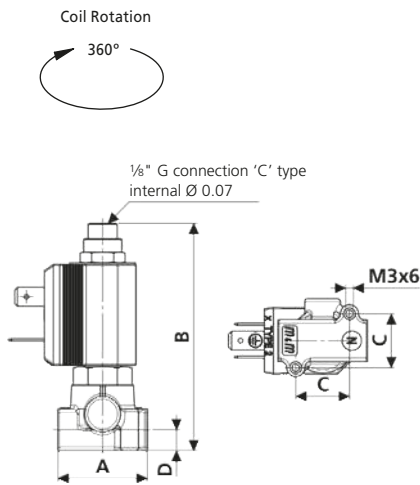
Valve Options (see coding chart)
G parallel thread (ISO 228-1)
Electroless nickel plating treatment

Seal Material <sup>2</sup> and Media Temperature Range	Media	Ambient Temperature Range	
		Min	Max
FKM 14 °F to 266 °F (-10 °C to +130 °C)	Water, oil, air	14 °F (-10 °C)	122 °F (+50 °C)
EPDM 14 °F to 248 °F (-10 °C to +120 °C)	Water, hot water	14 °F (-10 °C)	122 °F (+50 °C)

<sup>2</sup> See corrosion reference guide and sealing solutions for material compatibility.

# RB397 Series (USA)

Automation – 3/2 Normally Open



Preferred Valve Mounting Options



Pipe Size	A	B	C	D	Weight Lb (kg)
1/8	1.18 (30)	2.99 (75.9)	0.71 (18)	0.28 (7)	0.33 (0.15)

Dimensions inches (mm)

## Solenoid enclosures

### 2--0 Type Coil - Insulation class F

External material: PBT (reinforced fibreglass 30%)  
 Electrical connection: Industrial form B  
 Winding insulation: Class H (E180)  
 Enclosure classification: Conforms to NEMA type 4 (UL 50) and IP65 (according to EN 60529) with plug and gasket correctly fitted\*



\* Plug and gasket not supplied as standard, must be ordered separately.

### Type 600 001- Plug

Rated Voltage (max.): 250 VAC / 300 VDC  
 Nominal Current: 10A (rated) / 16A (max)  
 Wire cross-section: 0.0023 inch<sup>2</sup> max (1.5 mm<sup>2</sup> max)  
 Cable Entry: PG9 (0.24 to 0.31 inch / 6 to 8 mm)  
 Enclosure classification: Conforms to IP65 (according to EN 60529) with supplied gasket  
 Insulation class: group C- VDE 0110  
 Housing colour: black  
 UL approved, file No: E205538



## Coding chart

### Main Valve Assembly

### Coil options

### Plug

Seals					Orifice		Thread Pipe		Option	Voltage / Frequency - CE Type, Class F				Plug			
V	FKM	A	3/64	N	NPT	K	Electroless nickel plating	•	•	•	•	•	•	•	•		
E	EPDM	B	3/64	GAS	w/o option	2250	24 VDC									0B1	c/w plug
		C	1/16			2200	24 /V 50/60 Hz										w/o plug
		E	5/64			2400	110 V / 50 Hz - 120 V / 60 Hz										
		G	3/32			2600	200 V / 50 Hz - 220 V / 60 Hz										
		H	1/8			2700	230 V / 50 Hz - 240 V / 60 Hz										
RB	3	9	7	C	•	•	N	•	•	•	•	•	•	•	•		

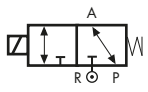
### Product coding example:

RB397CVBN 2400  
 1/8 NPT, auto operation, brass body, FKM seals, 1.2 mm orifice, 110 V / 50 Hz - 120 V / 60 Hz, without plug.



# GD362/363 Series

## Automation – Universal Service 3/2 (Normally Open)

Specifications	
Function (single acting)	 <p>Pressure can be connected to any port</p>
Maximum Viscosity	Max. 21cST (3 °E)
Body Material (Std)	Brass CW617N (EN 12165)
Orifice Material	Stainless Steel 1.4305 EN 10088 (AISI 303)
Flange	Stainless Steel 1.4305 EN 10088 (AISI 303)
Tube	Stainless Steel AISI 304
Plunger	Stainless Steel 1.4106 EN 10088 (AISI 430F)
Top Stop	Stainless Steel 1.4105 EN 10088 (AISI 430F)
Springs	Stainless Steel AISI 302
Seal Material (Std)	Foodgrade FKM
Connection Type (Std)	G parallel thread (ISO 228-1)
Shading Ring	Copper
Electrical Characteristics	
Standard Coil Voltage DC (-)	24 V
Standard Coil Voltage AC 50 Hz (-)	24 V, 110 V, 200 V, 230 V
Standard Coil Voltage AC 60 Hz (-)	24 V, 120 V, 220 V, 240 V
Voltage Tolerance	+10% to -15% (AC)
	+10% to -5% (DC)
Duty Cycle	100% ED
Protection Class	IP65 (EN 60529) with plug and gasket correctly fitted *
Electrical Connection	to EN 175301 - 803 - A (ex DIN 43650)
Coil Insulation	Class F 155 °C
Power Rating (Standard)	AC 18 VA (holding) AC 36 VA (inrush) DC 14 W

### Features and Benefits

- Direct Acting
- Robust construction for industrial applications
- Zero pressure rated
- Stainless steel AISI 430F operators with low residual magnetism
- Manufactured in compliance to RoHS directive and to relevant international standards
- High quality seal materials
- Response time 5 to 25 ms



Pipe Size	Cv (gpm)	Kv (m³/h)	OPD (bar)		Orifice (mm)		Seal Material	Valve Code
			AC Voltages	DC Voltages	1→2	1→3		
¼"	0.15	0.13	0 - 8	0 - 7	2.0	2.0	FKM	GD363C/E

### Options Available

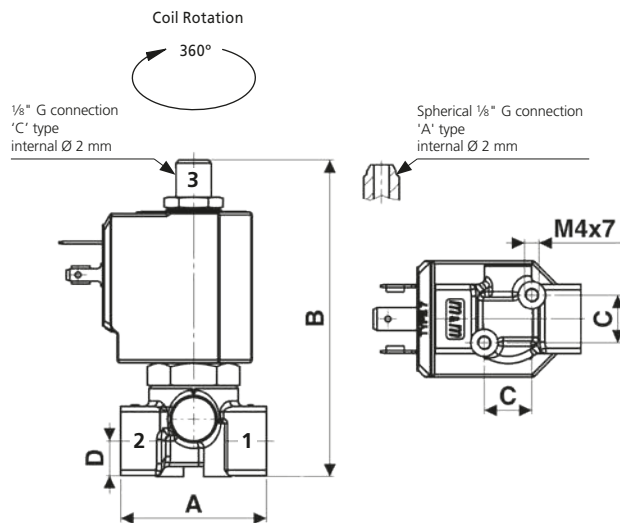
Valve Options (see coding chart)
Body threaded connection G 1/8"
NPT threads (minimum batch may be required)

Seal Material <sup>1</sup> and Media Temperature Range	Media	Ambient Temperature Range	
		Min	Max
FKM (-10 °C to +130 °C)	Water, oil, air	-10 °C	+50 °C

<sup>1</sup> See corrosion reference guide and sealing solutions for material compatibility.

# GD362/363 Series

## Automation – Universal Service 3/2 (Normally Open)



### Preferred Valve Mounting Options



Pipe Size	A	B	C	D	Weight (kg)
1/8" - 1/4"	40	87	13	9.5	0.26

Dimensions (mm)

### Solenoid enclosures

#### 7--0 Type Coil - Insulation class F

External material: PBT (reinforced fibreglass 30%)  
 Electrical connection: DIN EN 175301-803 form A  
 Winding insulation: Class H (E180)  
 Enclosure classification: Conforms to IP65 (according to EN 60529) with plug and gasket correctly fitted\*



\* Plug and gasket not supplied as standard, must be ordered separately.

#### Type 600 011- Plug

Rated Voltage (max.): 250 VAC / 300 VDC  
 Nominal Current: 10A (rated) / 16A (max)  
 Wire cross-section: 1.5 mm<sup>2</sup> max  
 Cable Entry: PG9 (6 to 8 mm)  
 Enclosure classification: Conforms to IP65 (according to EN 60529) with supplied gasket  
 Insulation class: group C- VDE 0110  
 Housing colour: black  
 UL approved, file No: E205538



### Coding chart

#### Main Valve Assembly

Pipe Size	Top Port Connection
2 1/8"	C 1/8" G
3 1/4"	A spherical 1/8" G

Option
N NPT
w/o option

Voltage / Frequency - Class F	
7250	24 VDC
7200	24 V / 50/60 Hz
7400	110 V / 50 Hz - 120 V / 60 Hz
7600	200 V / 50 Hz - 220 V / 60 Hz
7700	230 V / 50 Hz - 240 V / 60 Hz

Plug
0A1 c/w plug
w/o plug

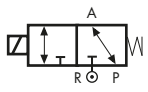
GD	3	6	.	.	V	E	.	.	.	.	.	.	.	.
----	---	---	---	---	---	---	---	---	---	---	---	---	---	---

### Product coding example:

GD363CVE 7250  
 1/4" G, auto operation, universal, brass body, FKM seals, 2.0 mm orifice, with top port connection 1/8"G, 24 VDC, without plug.

# GD362/363 Series (USA)

## Automation – Universal Service 3/2 (Normally Open)

Specifications	
Function (single acting)	 <p>Pressure can be connected to any port</p>
Maximum Viscosity	Max. 21cST (3 °E)
Body Material (Std)	Brass C37700 (UNS Designation)
Orifice Material	Stainless Steel AISI 303 (1.4305 EN 10088)
Flange	Stainless Steel AISI 303 (1.4305 EN 10088)
Tube	Stainless Steel AISI 304
Plunger	Stainless Steel AISI 430F (1.4106 EN 10088)
Top Stop	Stainless Steel AISI 430F (1.4105 EN 10088)
Springs	Stainless Steel AISI 302
Seal Material (Std)	Foodgrade FKM
Connection Type	NPT
Shading Ring	Copper
Electrical Characteristics	
Standard Coil Voltage DC (=)	24 V
Standard Coil Voltage AC 50 Hz (-)	24 V, 110 V, 200 V, 230 V
Standard Coil Voltage AC 60 Hz (-)	24 V, 120 V, 220 V, 240 V
Voltage Tolerance	+10% to -15% (AC)
	+10% to -5% (DC)
Duty Cycle	100% ED
Enclosure classification	NEMA type 4 (UL 50) and IP65 (EN 60529) with plug and gasket correctly fitted *
Electrical Connection	to EN 175301 - 803 - A (ex DIN 43650)
Coil Insulation Class	155 (F) to EN 60730-1
Power Rating (Standard)	AC 18 VA (holding) AC 36 VA (inrush) DC 14 W

<sup>1</sup> These coils are not UL approved.

### Features and Benefits

- Direct Acting
- Robust construction for industrial applications
- Zero pressure rated
- Stainless steel AISI 430F operators with low residual magnetism
- High quality seal materials
- Response time 5 to 25 ms



Pipe Size	Cv (gpm)	Kv (m³/h)	OPD psi (bar)		Orifice inches (mm)		Seal Material	Valve Code
			AC Voltages	DC Voltages	1→2	1→3		
¼	0.15	0.13	0 - 116 (0 - 8)	0 - 102 (0 - 7)	⅝₆₄ (2.0)	⅝₆₄ (2.0)	FKM	GD363C_VEN

### Options Available

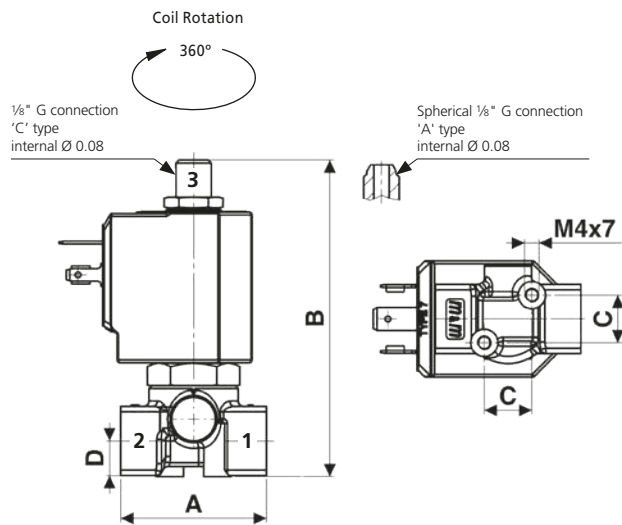
Valve Options (see coding chart)
Body threaded connection ⅜
G parallel thread (ISO 228-1)

Seal Material <sup>1</sup> and Media Temperature Range	Media	Ambient Temperature Range	
		Min	Max
FKM 14 °F to 266 °F (-10 °C to +130 °C)	Water, oil, air	14 °F (-10 °C)	122 °F (+50 °C)

<sup>1</sup> See corrosion reference guide and sealing solutions for material compatibility.

# GD362/363 Series (USA)

Automation – Universal Service 3/2 (Normally Open)



Preferred Valve Mounting Options



Pipe Size	A	B	C	D	Weight Lb (kg)
1/8 - 1/4	1.57 (40)	3.43 (87)	0.51 (13)	0.37 (9.5)	0.57 (0.26)

Dimensions inches (mm)

## Solenoid enclosures

### 7--0 Type Coil - Insulation class F

- External material: PBT (reinforced fibreglass 30%)
- Electrical connection: DIN EN 175301-803 form A
- Winding insulation: Class H (E180)
- Enclosure classification: Conforms to NEMA type 4 (UL 50) and IP65 (according to EN 60529) with plug and gasket correctly fitted\*



\* Plug and gasket not supplied as standard, must be ordered separately.

### Type 600 011- Plug

- Rated Voltage (max.): 250 VAC / 300 VDC
- Nominal Current: 10A (rated) / 16A (max)
- Wire cross-section: 0.0023 inch<sup>2</sup> max (1.5 mm<sup>2</sup> max)
- Cable Entry: PG9 (0.24 to 0.31 inch / 6 to 8 mm)
- Enclosure classification: Conforms to IP65 (according to EN 60529) with supplied gasket
- Insulation class: group C- VDE 0110
- Housing colour: black
- UL approved, file No: E205538



## Coding chart

### Main Valve Assembly

Pipe Size	Top port connection
2 1/8	C 1/8" G
3 1/4	A spherical 1/8" G

Thread Pipe	Option
N NPT	w/o option
GAS	

### Coil options

Voltage / Frequency - CE Type, Class F	
7250	24 VDC
7200	24 V / 50/60 Hz
7400	110 V / 50 Hz - 120 V / 60 Hz
7600	200 V / 50 Hz - 220 V / 60 Hz
7700	230 V / 50 Hz - 240 V / 60 Hz

### Plug

Plug	
0A1	c/w plug
	w/o plug

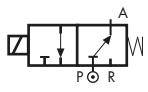


### Product coding example:

GD363CVEN 7250  
1/4 NPT, auto operation, universal, brass body, FKM seals, 5/64 orifice, with top port connection 1/8" G, 24 VDC, without plug.

# SD362/363 Series

## Automation – 2nd Service 3/2 (Normally Open)

Specifications	
Function (single acting)	 <p>Flow direction OFF 3 → 1 - ON 1 → 2</p>
Maximum Viscosity	Max. 21cST (3 °E)
Body Material (Std)	Brass CW617N (EN 12165)
Orifice Material	Stainless Steel 1.4305 EN 10088 (AISI 303)
Flange	Stainless Steel 1.4305 EN 10088 (AISI 303)
Tube	Stainless Steel AISI 304
Plunger	Stainless Steel 1.4106 EN 10088 (AISI 430F)
Top Stop	Stainless Steel 1.4105 EN 10088 (AISI 430F)
Springs	Stainless Steel AISI 302
Seal Material (Std)	Foodgrade FKM
Connection Type (Std)	G parallel thread (ISO 228-1)
Shading Ring	Copper
Electrical Characteristics	
Standard Coil Voltage DC (-)	24 V
Standard Coil Voltage AC 50 Hz (-)	24 V, 110 V, 200 V, 230 V
Standard Coil Voltage AC 60 Hz (-)	24 V, 120 V, 220 V, 240 V
Voltage Tolerance	+10% to -15% (AC)
	+10% to -5% (DC)
Duty Cycle	100% ED
Protection Class	IP65 (EN 60529) with plug and gasket correctly fitted *
Electrical Connection	to EN 175301 - 803 - A (ex DIN 43650)
Coil Insulation	Class F 155 °C
Power Rating (Standard)	AC 18 VA (holding) AC 36 VA (inrush) DC 14 W

### Features and Benefits

- Direct Acting
- Robust construction for industrial applications
- Zero pressure rated
- Stainless steel AISI 430F operators with low residual magnetism
- Manufactured in compliance to RoHS directive and to relevant international standards
- High quality seal materials
- Response time 5 to 25 ms



Pipe Size	Cv (gpm)	Kv (m³/h)	OPD (bar)		Orifice (mm)		Seal Material	Valve Code
			AC Voltages	DC Voltages	1→2	1→3		
¼"	0.09	0.08	0 - 15	0 - 15	1.5	1.5	FKM	SD363C <sub>Y</sub> C
¼"	0.15	0.13	0 - 15	0 - 15	2.0	2.0	FKM	SD363C <sub>Y</sub> E
¼"	0.24	0.20	0 - 13	0 - 13	2.5	2.5	FKM	SD363C <sub>Y</sub> G

### Options Available

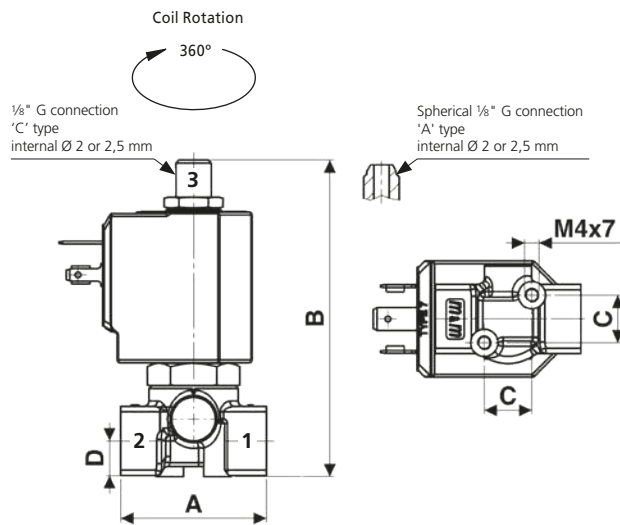
Valve Options (see coding chart)
Body threaded connection G 1/8"
NPT threads (minimum batch may be required)
Manual Override

Seal Material <sup>1</sup> and Media Temperature Range	Media	Ambient Temperature Range	
		Min	Max
FKM (-10 °C to +130 °C)	Water, oil, air	-10 °C	+50 °C

<sup>1</sup> See corrosion reference guide and sealing solutions for material compatibility.

# SD362/363 Series

## Automation – 2nd Service 3/2 (Normally Open)



### Preferred Valve Mounting Options



Pipe Size	A	B	C	D	Weight (kg)
1/8" - 1/4"	40	87	13	9.5	0.26

Dimensions (mm)

### Solenoid enclosures

#### 7--0 Type Coil - Insulation class F

External material: PBT (reinforced fibreglass 30%)  
 Electrical connection: DIN EN 175301-803 form A  
 Winding insulation: Class H (E180)  
 Enclosure classification: Conforms to IP65 (according to EN 60529) with plug and gasket correctly fitted\*



\* Plug and gasket not supplied as standard, must be ordered separately.

#### Type 600 011- Plug

Rated Voltage (max.): 250 VAC / 300 VDC  
 Nominal Current: 10A (rated) / 16A (max)  
 Wire cross-section: 1.5 mm<sup>2</sup> max  
 Cable Entry: PG9 (6 to 8 mm)  
 Enclosure classification: Conforms to IP65 (according to EN 60529) with supplied gasket  
 Insulation class: group C- VDE 0110  
 Housing colour: black  
 UL approved, file No: E205538



### Coding chart

#### Main Valve Assembly

Pipe Size	Top port connection
2 1/8"	C 1/8" G
3 1/4"	A spherical 1/8" G

Orifice
C 1.5
E 2.0
G 2.5

Option
N NPT
M Manual Override
w/o option

#### Coil options

Voltage / Frequency - Class F	
7250	24 VDC
7200	24 V / 50/60 Hz
7400	110 V / 50 Hz - 120 V / 60 Hz
7600	200 V / 50 Hz - 220 V / 60 Hz
7700	230 V / 50 Hz - 240 V / 60 Hz

#### Plug

Plug
0A1 c/w plug
w/o plug

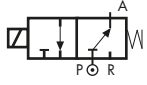
SD	3	6	.	.	V	.	.	.	.	.	.	.	.	.	.	.
----	---	---	---	---	---	---	---	---	---	---	---	---	---	---	---	---

### Product coding example:

SD362AVG 7400  
 1/8" G, auto operation, 2<sup>nd</sup> service, brass body, FKM seals, 2.5 mm orifice, with top port connection spherical 1/8"G, 110 V / 50 Hz - 120 V / 60 Hz, without plug.

# SD362/363 Series (USA)

Automation – 2<sup>nd</sup> service 3/2 (Normally Open)

Specifications	
Function (single acting)	 <p>Flow direction OFF 3 → 1 - ON 1 → 2</p>
Maximum Viscosity	Max. 21cST (3 °E)
Body Material (Std)	Brass C37700 (UNS Designation)
Orifice Material	Stainless Steel AISI 303 (1.4305 EN 10088)
Flange	Stainless Steel AISI 303 (1.4305 EN 10088)
Tube	Stainless Steel AISI 304
Plunger	Stainless Steel AISI 430F (1.4106 EN 10088)
Top Stop	Stainless Steel AISI 430F (1.4105 EN 10088)
Springs	Stainless Steel AISI 302
Seal Material (Std)	Foodgrade FKM
Connection Type	NPT
Shading Ring	Copper
Electrical Characteristics <sup>1</sup>	
Standard Coil Voltage DC (=)	24 V
Standard Coil Voltage AC 50 Hz (-)	24 V, 110 V, 200 V, 230 V
Standard Coil Voltage AC 60 Hz (-)	24 V, 120 V, 220 V, 240 V
Voltage Tolerance	+10% to -15% (AC)
	+10% to -5% (DC)
Duty Cycle	100% ED
Enclosure Classification	NEMA type 4 (UL 50) and IP65 (EN 60529) with plug and gasket correctly fitted *
Electrical Connection	to EN 175301 - 803 - A (ex DIN 43650)
Coil Insulation Class	155 (F) to EN 60730-1
Power Rating (Standard)	AC 18 VA (holding) AC 36 VA (inrush) DC 14 W

<sup>1</sup> These coils are not UL approved.

## Features and Benefits

- Direct Acting
- Robust construction for industrial applications
- Zero pressure rated
- Stainless steel AISI 430F operators with low residual magnetism
- High quality seal materials
- Response time 5 to 25 ms



Pipe Size	Cv (gpm)	Kv (m <sup>3</sup> /h)	OPD psi (bar)		Orifice inches (mm)		Seal Material	Valve Code
			AC Voltages	DC Voltages	1→2	1→3		
¼	0.09	0.08	0 - 218 (0 - 15)	0 - 218 (0 - 15)	⅛ (1.5)	⅛ (1.5)	FKM	SD363C_VCN
¼	0.15	0.13	0 - 218 (0 - 15)	0 - 218 (0 - 15)	5/64 (2.0)	5/64 (2.0)	FKM	SD363C_VEN
¼	0.24	0.20	0 - 189 (0 - 13)	0 - 189 (0 - 13)	3/32 (2.5)	3/32 (2.5)	FKM	SD363C_VGN

## Options Available

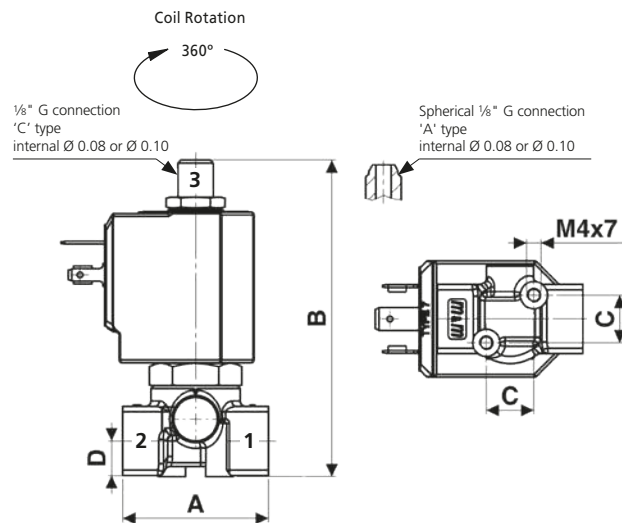
Valve Options (see coding chart)
Body threaded connection ½
G parallel thread (ISO 228-1)
Manual Override

Seal Material <sup>2</sup> and Media Temperature Range	Media	Ambient Temperature Range	
		Min	Max
FKM 14 °F to 266 °F (-10 °C to +130 °C)	Water, oil, air	14 °F (-10 °C)	122 °F (+50 °C)

<sup>2</sup> See corrosion reference guide and sealing solutions for material compatibility.

# SD362/363 Series (USA)

Automation – 2<sup>nd</sup> service 3/2 (Normally Open)



Preferred Valve Mounting Options



Pipe size	A	B	C	D	Weight Lb (kg)
1/8 - 1/4	1.57 (40)	3.43 (87)	0.51 (13)	0.37 (9.5)	0.57 (0.26)

Dimensions inches (mm)

## Solenoid enclosures

### 7--0 Type Coil - Insulation class F

- External material: PBT (reinforced fibreglass 30%)
- Electrical connection: DIN EN 175301-803 form A
- Winding insulation: Class H (E180)
- Enclosure classification: Conforms to NEMA type 4 (UL 50) and IP65 (according to EN 60529) with plug and gasket correctly fitted\*



\* Plug and gasket not supplied as standard, must be ordered separately.

### Type 600 011- Plug

- Rated Voltage (max.): 250 VAC / 300 VDC
- Nominal Current: 10A (rated) / 16A (max)
- Wire cross-section: 0.0023 inch<sup>2</sup> max (1.5 mm<sup>2</sup> max)
- Cable Entry: PG9 (0.24 to 0.31 inch / 6 to 8 mm)
- Enclosure classification: Conforms to IP65 (according to EN 60529) with supplied gasket
- Insulation class: group C- VDE 0110
- Housing colour: black
- UL approved, file No: E205538



## Coding chart

### Main Valve Assembly

Pipe Size	Top port connection
2 1/8	C 1/8" G
3 1/4	A spherical 1/8" G

Orifice	Thread Pipe	Option
C 1/16	N NPT	M Manual Override
E 5/64	GAS	w/o option
G 3/32		

### Coil options

Voltage / Frequency - CE Type, Class F	
7250	24 VDC
7200	24 V / 50/60 Hz
7400	110 V / 50 Hz - 120 V / 60 Hz
7600	200 V / 50 Hz - 220 V / 60 Hz
7700	230 V / 50 Hz - 240 V / 60 Hz

### Plug

Plug
0A1 c/w plug
w/o plug



### Product coding example:

SD362AVGN 7400  
 1/8 NPT, auto operation, 2<sup>nd</sup> service, brass body, FKM seals, 3/32 orifice, with top port connection spherical 1/8" G, 110 V / 50 Hz - 120 V / 60 Hz, without plug.



# DD362/363 Series

## Automation – Diverting 3/2 (Normally Open)

Specifications	
Function (single acting)	<p>Flow direction OFF 1 → 3 - ON 1 → 2</p>
Maximum Viscosity	Max. 21cST (3 °E)
Body Material (Std)	Brass CW617N (EN 12165)
Orifice Material	Stainless Steel 1.4305 EN 10088 (AISI 303)
Flange	Stainless Steel 1.4305 EN 10088 (AISI 303)
Tube	Stainless Steel AISI 304
Plunger	Stainless Steel 1.4106 EN 10088 (AISI 430F)
Top Stop	Stainless Steel 1.4105 EN 10088 (AISI 430F)
Springs	Stainless Steel AISI 302
Seal Material (Std)	Foodgrade FKM
Connection Type (Std)	G parallel thread (ISO 228-1)
Shading Ring	Copper
Electrical Characteristics	
Standard Coil Voltage DC (=)	24 V
Standard Coil Voltage AC 50 Hz (-)	24 V, 110 V, 200 V, 230 V
Standard Coil Voltage AC 60 Hz (-)	24 V, 120 V, 220 V, 240 V
Voltage Tolerance	+10% to -15% (AC)
	+10% to -5% (DC)
Duty Cycle	100% ED
Protection Class	IP65 (EN 60529) with plug and gasket correctly fitted *
Electrical Connection	to EN 175301 - 803 - A (ex DIN 43650)
Coil Insulation	Class F 155 °C
Power Rating (Standard)	AC 18 VA (holding) AC 36 VA (inrush) DC 14 W

### Features and Benefits

- Direct Acting
- Robust construction for industrial applications
- Zero pressure rated
- Stainless steel AISI 430F operators with low residual magnetism
- Manufactured in compliance to RoHS directive and to relevant international standards
- High quality seal materials
- Response time 5 to 25 ms



Pipe Size	Cv (gpm)	Kv (m³/h)	OPD (bar)		Orifice (mm)		Seal Material	Valve Code
			AC Voltages	DC Voltages	1→2	1→3		
¼"	0.09	0.08	0 - 20	0 - 20	1.5	2.5	FKM	DD363CVC
¼"	0.15	0.13	0 - 20	0 - 20	2.0	2.5	FKM	DD363CVE

### Options Available

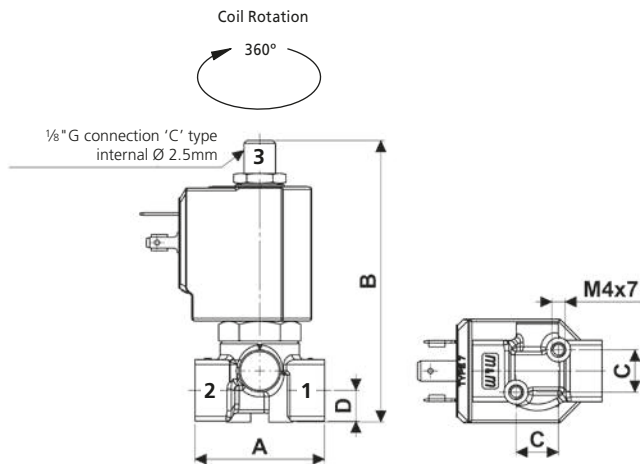
Valve Options (see coding chart)
Body threaded connection G ½"
NPT threads (minimum batch may be required)
Manual Override

Seal Material <sup>1</sup> and Media Temperature Range	Media	Ambient Temperature Range	
		Min	Max
FKM (-10 °C to +130 °C)	Water, oil, air	-10 °C	+50 °C

<sup>1</sup> See corrosion reference guide and sealing solutions for material compatibility.

# DD362/363 Series

## Automation – Diverting 3/2 (Normally Open)



Preferred Valve Mounting Options



Pipe Size	A	B	C	D	Weight (kg)
1/8" - 1/4"	40	87	13	9.5	0.26

Dimensions (mm)

### Solenoid enclosures

#### 7--0 Type Coil - Insulation class F

External material: PBT (reinforced fibreglass 30%)  
 Electrical connection: DIN EN 175301-803 form A  
 Winding insulation: Class H (E180)  
 Enclosure classification: Conforms to IP65 (according to EN 60529) with plug and gasket correctly fitted\*



\* Plug and gasket not supplied as standard, must be ordered separately.

#### Type 600 011- Plug

Rated Voltage (max.): 250 VAC / 300 VDC  
 Nominal Current: 10A (rated) / 16A (max)  
 Wire cross-section: 1.5 mm<sup>2</sup> max  
 Cable Entry: PG9 (6 to 8 mm)  
 Enclosure classification: Conforms to IP65 (according to EN 60529) with supplied gasket  
 Insulation class: group C- VDE 0110  
 Housing colour: black  
 UL approved, file No: E205538



### Coding chart

#### Main Valve Assembly

Pipe Size
2 1/8"
3 1/4"

Orifice
C 1.5
E 2.0

Option
N NPT
M Manual Override
w/o option

Voltage / Frequency - Class F	
7250	24 VDC
7200	24 V / 50/60 Hz
7400	110 V / 50 Hz - 120 V / 60 Hz
7600	200 V / 50 Hz - 220 V / 60 Hz
7700	230 V / 50 Hz - 240 V / 60 Hz

Plug
0A1 c/w plug
w/o plug

DD	3	6	.	C	V	.	.	.	.	.	.	.	.	.	.
----	---	---	---	---	---	---	---	---	---	---	---	---	---	---	---

### Product coding example:

DD362CVE 7250  
 1/8" G, auto operation, diverting, brass body, FKM seals, 2.0 mm orifice, 24 VDC, without plug.

# DD362/363 Series (USA)

## Automation – Diverting 3/2 (Normally Open)

Specifications	
Function (single acting)	<p>Flow direction OFF 1 → 3 - ON 1 → 2</p>
Maximum Viscosity	Max. 21cST (3 °E)
Body Material (Std)	Brass C37700 (UNS Designation)
Orifice Material	Stainless Steel AISI 303 (1.4305 EN 10088)
Flange	Stainless Steel AISI 303 (1.4305 EN 10088)
Tube	Stainless Steel AISI 304
Plunger	Stainless Steel AISI 430F (1.4106 EN 10088)
Top Stop	Stainless Steel AISI 430F (1.4105 EN 10088)
Springs	Stainless Steel AISI 302
Seal Material (Std)	Foodgrade FKM
Connection Type	NPT
Shading Ring	Copper
Electrical Characteristics <sup>1</sup>	
Standard Coil Voltage DC (=)	24 V
Standard Coil Voltage AC 50 Hz (-)	24 V, 110 V, 200 V, 230 V
Standard Coil Voltage AC 60 Hz (-)	24 V, 120 V, 220 V, 240 V
Voltage Tolerance	+10% to -15% (AC)
	+10% to -5% (DC)
Duty Cycle	100% ED
Enclosure Classification	NEMA type 4 (UL 50) and IP65 (EN 60529) with plug and gasket correctly fitted *
Electrical Connection	to EN 175301 - 803 - A (ex DIN 43650)
Coil Insulation Class	155 (F) to EN 60730-1
Power Rating (Standard)	AC 18 VA (holding) AC 36 VA (inrush) DC 14 W

<sup>1</sup> These coils are not UL approved.

### Features and Benefits

- Direct Acting
- Robust construction for industrial applications
- Zero pressure rated
- Stainless steel AISI 430F operators with low residual magnetism
- High quality seal materials
- Response time 5 to 25 ms



Pipe Size	Cv (gpm)	Kv (m <sup>3</sup> /h)	OPD psi (bar)		Orifice inches (mm)		Seal Material	Valve Code
			AC Voltages	DC Voltages	1→2	1→3		
¼"	0.09	0.08	0 - 290 (0 - 20)	0 - 290 (0 - 20)	⅛ (1.5)	⅜ (2.5)	FKM	DD363CVCN
¼"	0.15	0.13	0 - 290 (0 - 20)	0 - 290 (0 - 20)	⅜ (2.0)	⅜ (2.5)	FKM	DD363CVEN

### Options Available

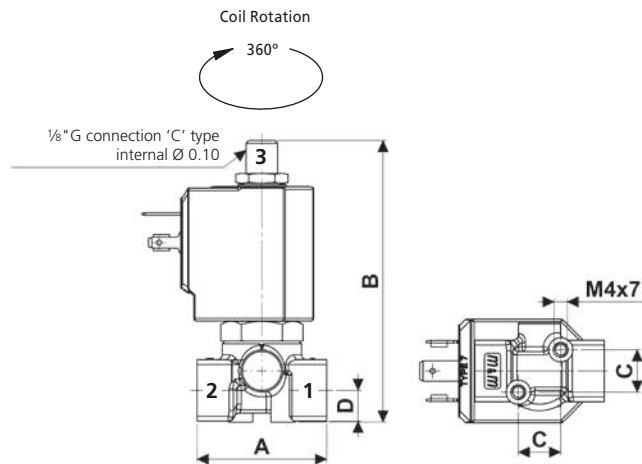
Valve Options (see coding chart)
Body threaded connection ⅛" NPT
G parallel thread (ISO 228-1)
Manual Override

Seal Material <sup>2</sup> and Media Temperature Range	Media	Ambient Temperature Range	
		Min	Max
FKM 14 °F to 266 °F (-10 °C to +130 °C)	Water, oil, air	14 °F (-10 °C)	122 °F (+50 °C)

<sup>2</sup> See corrosion reference guide and sealing solutions for material compatibility.

# DD362/363 Series (USA)

## Automation – Diverting 3/2 (Normally Open)



Preferred Valve Mounting Options



Pipe Size	A	B	C	D	Weight Lb (kg)
1/8 - 1/4	1.57 (40)	3.43 (87)	0.51 (13)	0.37 (9.5)	0.57 (0.26)

Dimensions inches (mm)

### Solenoid enclosures

#### 7--0 Type Coil - Insulation class F

- External material: PBT (reinforced fibreglass 30%)
- Electrical connection: DIN EN 175301-803 form A
- Winding insulation: Class H (E180)
- Enclosure classification: Conforms to NEMA type 4 (UL 50) and IP65 (according to EN 60529) with plug and gasket correctly fitted\*



\* Plug and gasket not supplied as standard, must be ordered separately.

#### Type 600 011- Plug

- Rated Voltage (max.): 250 VAC / 300 VDC
- Nominal Current: 10A (rated) / 16A (max)
- Wire cross-section: 0.0023 inch<sup>2</sup> max (1.5 mm<sup>2</sup> max)
- Cable Entry: PG9 (0.24 to 0.31 inch / 6 to 8 mm)
- Enclosure classification: Conforms to IP65 (according to EN 60529) with supplied gasket
- Insulation class: group C- VDE 0110
- Housing colour: black
- UL approved, file No: E205538



### Coding chart

#### Main Valve Assembly

Pipe Size	
2	1/8
3	1/4

Orifice	Thread Pipe	Option
C 1/16	N NPT	M Manual Override
E 5/64	GAS	w/o option

#### Coil options

Voltage / Frequency - CE Type, Class F	
7250	24 VDC
7200	24 V / 50/60 Hz
7400	110 V / 50 Hz - 120 V / 60 Hz
7600	200 V / 50 Hz - 220 V / 60 Hz
7700	230 V / 50 Hz - 240 V / 60 Hz

#### Plug

Plug	
0A1	c/w plug
	w/o plug

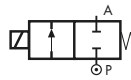
DD	3	6	.	C	V	.	N	.	.	.	.	.	.	.	.	.
----	---	---	---	---	---	---	---	---	---	---	---	---	---	---	---	---

### Product coding example:

DD362CVEN 7250  
1/8 NPT, auto operation, diverting, brass body, FKM seals, 5/64 orifice, 24 VDC, without plug.

# D298/299 Series

## High Pressure – 2/2 Normally Closed

Specifications	
Function (single acting)	 <p>Flow direction overseat 1 → 2</p>
Maximum Viscosity	Max. 21cST (3 °E)
Body Material (Std)	Stainless Steel 1.4305 EN 10088 (AISI 303)
Orifice Material	Stainless Steel 1.4305 EN 10088 (AISI 303)
Flange Tube (Seamless)	Stainless Steel 1.4305 EN 10088 (AISI 303)
Plunger	Stainless Steel 1.4106 EN 10088 (AISI 430F)
Top Stop	Stainless Steel 1.4105 EN 10088 (AISI 430F)
Springs	Stainless Steel AISI 302
Seal Material (Std)	Ruby
Standard Connection Type	G parallel thread (ISO 228-1)
Shading Ring	Copper
Electrical Characteristics	
High Power Coil Voltage DC (=)	24 V
High Power Coil Voltage AC 50 Hz (-)	24 V, 110 V, 230 V
High Power Coil Voltage AC 60 Hz (-)	24 V, 120 V, 240 V
Voltage Tolerance	+10% to -15% (AC)
	+10% to -5% (DC)
Duty Cycle	100% ED
Protection Class	IP65 (EN 60529) with plug and gasket correctly fitted *
Electrical Connection	to EN 175301 - 803 - A (ex DIN 43650)
Coil Insulation	Class H 180 °C
Power Rating (High Power)	AC 25 VA (holding) AC 50 VA (inrush) DC 22 Watts

### Features and Benefits

- Direct Acting
- Robust construction for industrial applications
- Stainless steel AISI 430F operators with low residual magnetism
- Manufactured in compliance to RoHS directive and to relevant international standards
- High quality seal materials
- Wide range of available orifices
- Response time 5 to 25 ms



Pipe Size	Cv (gpm)	Kv (m³/h)	OPD (bar)		Orifice (mm)	Seal Material	Valve Code <sup>1</sup>
			AC Voltages	DC Voltages			
¼"	0.05	0.04	0 - 200	0 - 110	1.2	RUBY	D299DRB1
¼"	0.08	0.07	0 - 200	0 - 80	1.5	RUBY	D299DRC1
¼"	0.16	0.14	0 - 140	0 - 30	2.0	RUBY	D299DRE1
¼"	0.23	0.20	0 - 90	0 - 23	2.5	RUBY	D299DRG1
¼"	0.32	0.27	0 - 50	0 - 14	3.0	RUBY	D299DRH1

NOTE: Not 100% leak-proof when used with air/gases. Approx leak rate is 1.5ml/min at max OPD.

<sup>1</sup> ATTENTION: when high pressure valves are supplied without a coil, their nameplates display the max OPD of the valve when equipped with an AC (25VA) and DC(22W) coil. If fitting coils with a different power rating OPD will vary, please consult supplier for more details.

### Options Available

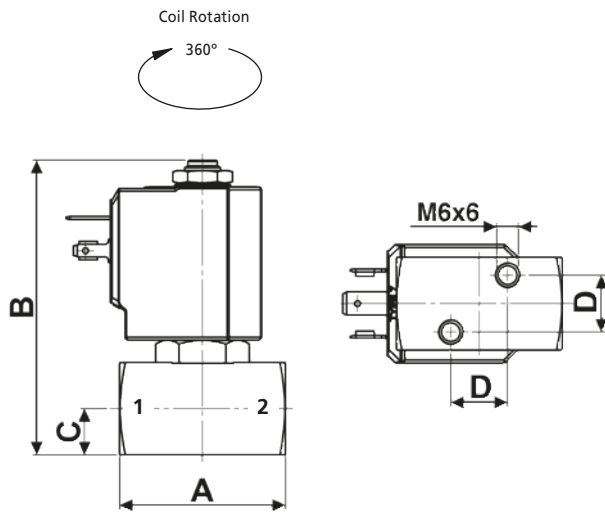
Valve Options (see coding chart)
Body threaded connection G ½"
NPT Threads (minimum batch may be required)
Anticorrosion treatment recommended with aggressive fluids
Silver shading ring

Seal Material <sup>1</sup> and Media Temperature Range	Media	Ambient Temperature Range	
		Min	Max
RUBY (-10 °C to +130 °C)	Water, oil, air, aggressive fluids	-10 °C	+50 °C

<sup>1</sup> See corrosion reference guide and sealing solutions for material compatibility.

# D298/299 Series

## High Pressure – 2/2 Normally Closed



Preferred Valve Mounting Options



Pipe Size	A	B	C	D	Weight (kg)
1/8" - 1/4"	45	80	12.5	15.4	0.36

Dimensions (mm)

### Solenoid enclosures

#### 7-K1 & 7-Z1 Type Coil - Insulation class H

- External material: PPS (fibreglass & mineral filled)
- Electrical connection: DIN EN 175301-803 form A
- Winding insulation: Class H (E180)
- Enclosure classification: Conforms to IP65 (according to EN 60529) with plug and gasket correctly fitted\*



\* Plug and gasket not supplied as standard, must be ordered separately.

#### Type 600 011- Plug

- Rated Voltage (max.): 250 VAC / 300 VDC
- Nominal Current: 10A (rated) / 16A (max)
- Wire cross-section: 1.5 mm<sup>2</sup> max
- Cable Entry: PG9 (6 to 8mm)
- Enclosure classification: Conforms to IP65 (according to EN 60529) with supplied gasket
- Insulation class: group C- VDE 0110
- Housing colour: black
- UL approved, file No: E205538



### Coding chart

#### Main Valve Assembly

Pipe Size	
8	1/8"
9	1/4"

Orifice	Option
B 1.2	A Silver shading ring
C 1.5	F Anticorrosion treatment <sup>1</sup>
E 2.0	N NPT
G 2.5	w/o option
H 3.0	

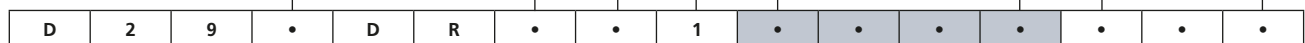
Option	
A	Silver shading ring
F	Anticorrosion treatment <sup>1</sup>
N	NPT
	w/o option

#### Coil options

Voltage / Frequency - Class H, High Power	
72Z1	24 VDC
72K1	24 V / 50/60 Hz
74K1	110 V / 50 Hz - 120 V / 60 Hz
77K1	230 V / 50 Hz - 240 V / 60 Hz

#### Plug

Plug	
	w/o plug
0A1	c/w plug



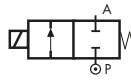
<sup>1</sup> Recommended with aggressive fluids.

### Product coding example:

D298DRC1 72Z1 0A1  
1/8" G, auto operation, stainless steel body, RUBY seals, 1.5 mm orifice, 24 VDC, with plug.

# D298/299 Series (USA)

## High Pressure – 2/2 Normally Closed

Specifications	
Function (single acting)	 <p>Flow direction overseat 1 → 2</p>
Maximum Viscosity	Max. 21cST (3 °E)
Body Material (Std)	Stainless Steel AISI 303 (1.4305 EN 10088)
Orifice Material	Stainless Steel AISI 303 (1.4305 EN 10088)
Flange Tube (seamless)	Stainless Steel AISI 303 (1.4305 EN 10088)
Plunger	Stainless Steel AISI 430F (1.4106 EN 10088)
Top Stop	Stainless Steel AISI 430F (1.4105 EN 10088)
Springs	Stainless Steel AISI 302
Seal Material (Std)	Ruby
Connection Type	NPT
Shading Ring	Copper
Electrical Characteristics <sup>1</sup>	
High Power Coil Voltage DC (=)	24 V
High Power Coil Voltage AC 50 Hz (-)	24 V, 110 V, 230 V
High Power Coil Voltage AC 60 Hz (-)	24 V, 120 V, 240 V
Voltage Tolerance	+10% to -15% (AC)
	+10% to -5% (DC)
Duty Cycle	100% ED
Enclosure Classification	NEMA type 4 (UL 50) and IP65 (EN 60529) with plug and gasket correctly fitted *
Electrical Connection	to EN 175301 - 803 - A (ex DIN 43650)
Coil Insulation Class	180 (H) to EN 60730-1
Power Rating (High Power)	AC 25 VA (holding) AC 50 VA (inrush) DC 22 Watts

<sup>1</sup> High power coils are not UL approved.

### Features and Benefits

- Direct Acting
- Robust construction for industrial applications
- Stainless steel AISI 430F operators with low residual magnetism
- Coils tested 100% in compliance to RoHS directive and to relevant international standards
- High quality seal materials
- Wide range of available orifices
- Response time 5 to 25 ms



Pipe Size	Cv <sup>2</sup> (gpm)	Kv <sup>2</sup> (m <sup>3</sup> /h)	OPD psi (bar) <sup>3</sup>		Orifice inches (mm)	Seal Material	Valve Code
			AC Voltages	DC Voltages			
¼	0.05	0.04	0 - 2900 (0 - 200)	0 - 1595 (0 - 110)	⅜/64 (1.2)	RUBY	D299DRBN1
¼	0.08	0.07	0 - 2900 (0 - 200)	0 - 1160 (0 - 80)	1/16 (1.5)	RUBY	D299DRCN1
¼	0.16	0.14	0 - 2030 (0 - 140)	0 - 435 (0 - 30)	5/64 (2.0)	RUBY	D299DRDN1
¼	0.23	0.20	0 - 1305 (0 - 90)	0 - 333 (0 - 23)	3/32 (2.5)	RUBY	D299DRGN1
¼	0.32	0.27	0 - 725 (0 - 50)	0 - 203 (0 - 14)	1/8 (3.0)	RUBY	D299DRHN1

<sup>2</sup> Not 100% leak-proof when used with air/gases. Approx leak rate is 1.5ml/min at max OPD.

<sup>3</sup> When high pressure valves are supplied without a coil, their nameplates display the max OPD of the valve when equipped with an AC (25VA) and DC (22W) coil. If fitting coils with a different power rating OPD will vary, please consult supplier for more details.

### Options Available

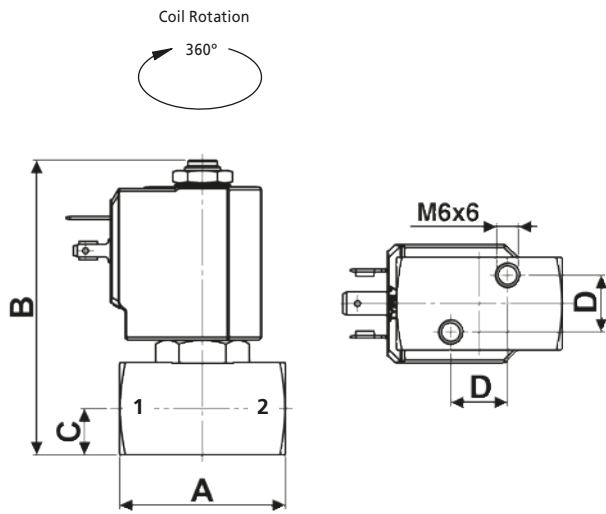
Valve Options (see coding chart)
Body threaded connection 1/8
G parallel thread (ISO 228-1)
Anticorrosion treatment recommended with aggressive fluids
Silver shading ring

Seal Material <sup>4</sup> and Media Temperature Range	Media	Ambient Temperature Range	
		Min	Max
RUBY 14 °F to 266 °F (-10 °C to +130 °C)	Water, oil, air, aggressive fluids	14 °F (-10 °C)	122 °F (+50 °C)

<sup>4</sup> See corrosion reference guide and sealing solutions for material compatibility.

# D298/299 Series (USA)

High Pressure – 2/2 Normally Closed



Preferred Valve Mounting Options



Pipe Size	A	B	C	D	Weight Lb (kg)
1/8 - 1/4	1.77 (45)	3.15 (80)	0.49 (12.5)	0.61 (15.4)	0.79 (0.36)

Dimensions inches (mm)

## Solenoid enclosures

### 7-K1 & 7-Z1 Type Coil - Insulation class H

- External material: PPS (fibreglass & mineral filled)
- Electrical connection: DIN EN 175301-803 form A
- Winding insulation: Class H (E180)
- Enclosure classification: Conforms to NEMA type 4 (UL 50) and IP65 (according to EN 60529) with plug and gasket correctly fitted\*



\* Plug and gasket not supplied as standard, must be ordered separately.

### Type 600 011- Plug

- Rated Voltage (max.): 250 VAC / 300 VDC
- Nominal Current: 10A (rated) / 16A (max)
- Wire cross-section: 0.0023 inch<sup>2</sup> max (1.5 mm<sup>2</sup> max)
- Cable Entry: PG9 (0.24 to 0.31 inch / 6 to 8 mm)
- Enclosure classification: Conforms to IP65 (according to EN 60529) with supplied gasket
- Insulation class: group C- VDE 0110
- Housing colour: black
- UL approved, file No: E205538



## Coding chart

### Main Valve Assembly

Pipe Size	
8	1/8
9	1/4

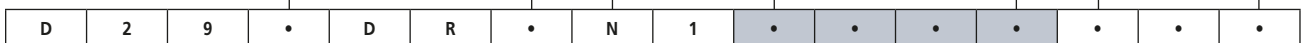
Orifice	Thread Pipe
B 3/64	N NPT
C 1/16	GAS
E 5/64	
G 3/32	
H 1/8	

### Coil options

Voltage / Frequency - Class H, High Power	
72Z1	24 VDC
72K1	24 V / 50/60 Hz
74K1	110 V / 50 Hz - 120 V / 60 Hz
77K1	230 V / 50 Hz - 240 V / 60 Hz

### Plug

Plug	
	w/o plug
0A1	c/w plug



Contact supplier for options.

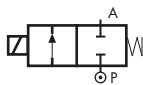
## Product coding example:

D298DRCN1 72Z1 0A1  
1/8 NPT, auto operation, stainless steel body, RUBY seals, 1/16 orifice, 24 VDC, with plug.



# D262DR-1/263DR-1 Series

## High Pressure – 2/2 Normally Closed

Specifications	
Function (single acting)	 <p>Flow direction overseat 1 → 2</p>
Maximum Viscosity	Max. 21cST (3 °E)
Body Material (Std)	Brass CW617N (EN 12165)
Orifice Material	Stainless Steel 1.4305 EN 10088 (AISI 303)
Flange Tube (Seamless)	Stainless Steel 1.4305 EN 10088 (AISI 303)
Plunger	Stainless Steel 1.4106 EN 10088 (AISI 430F)
Top Stop	Stainless Steel 1.4105 EN 10088 (AISI 430F)
Springs	Stainless Steel AISI 302
Seal Material (Std)	RUBY
Connection Type (Std)	G parallel thread (ISO 228-1)
Shading Ring	Copper
Electrical Characteristics	
High Power Coil Voltage DC (=)	24 V
High Power Coil Voltage AC 50 Hz (-)	24 V, 110 V, 230 V
High Power Coil Voltage AC 60 Hz (-)	24 V, 120 V, 240 V
Voltage Tolerance	+10% to -15% (AC)
	+10% to -5% (DC)
Duty Cycle	100% ED
Protection Class	IP65 (EN 60529) with plug and gasket correctly fitted *
Electrical Connection	to EN 175301 - 803 - A (ex DIN 43650)
Coil Insulation	Class H 180 °C
Power Rating (High Power)	AC 25 VA (holding) AC 50 VA (inrush) DC 22W

### Features and Benefits

- Direct Acting
- Robust construction for industrial applications
- Stainless steel AISI 430F operators with low residual magnetism
- Manufactured in compliance to RoHS directive and to relevant international standards
- High quality seal materials
- Response time 5 to 25 ms



Pipe Size	Cv (gpm)	Kv (m³/h)	OPD (bar)		Orifice (mm)	Seal Material	Valve Code
			AC Voltages	DC Voltages			
¼"	0.05	0.04	0 - 200	0 - 60	1.2	RUBY	D263DRB1
¼"	0.09	0.08	0 - 200	0 - 35	1.5	RUBY	D263DRC1
¼"	0.15	0.13	0 - 120	0 - 25	2.0	RUBY	D263DRE1
¼"	0.32	0.27	0 - 50	0 - 11	3.0	RUBY	D263DRH1

**NOTE:** Not 100% leak-proof when used with air/gases. Approx leak rate is 1.5ml/min at max OPD.  
**ATTENTION:** when high pressure valves are supplied without a coil, their nameplates display the max OPD of the valve when equipped with an AC (25VA) and DC(22W) coil. If fitting coils with a different power rating OPD will vary, please consult supplier for more details.

### Options Available

Valve Options (see coding chart)
Body threaded connection G 1/8"
NPT threads (minimum batch may be required)

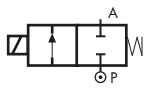
Seal Material <sup>1</sup> and Media Temperature Range	Media	Ambient Temperature Range	
		Min	Max
RUBY (-10 °C to +130 °C)	Water, oil, air, aggressive fluids	-10 °C	+50 °C

<sup>1</sup> See corrosion reference guide and sealing solutions for material compatibility.



# D262/263 Series (USA)

## High Pressure – 2/2 Normally Closed

Specifications	
Function (single acting)	 <p>Flow direction overseat 1 → 2</p>
Maximum Viscosity	max. 21cST (3 °E)
Body Material (Std)	Brass C37700 (UNS Designation)
Orifice Material	Stainless Steel AISI 303 (1.4305 EN 10088)
Flange Tube (seamless)	Stainless Steel AISI 303 (1.4305 EN 10088)
Plunger	Stainless Steel AISI 430F (1.4106 EN 10088)
Top Stop	Stainless Steel AISI 430F (1.4105 EN 10088)
Springs	Stainless Steel AISI 302
Seal Material (Std)	RUBY
Connection Type	NPT
Shading Ring	Copper
Electrical Characteristics <sup>1</sup>	
High Power Coil Voltage DC (=)	24 V
High Power Coil Voltage AC 50 Hz (-)	24 V, 110 V, 230 V
High Power Coil Voltage AC 60 Hz (-)	24 V, 120 V, 240 V
Voltage Tolerance	+10% to -15% (AC)
	+10% to -5% (DC)
Duty Cycle	100% ED
Enclosure Classification	NEMA type 4 (UL 50) and IP65 (EN 60529) with plug and gasket correctly fitted *
Electrical Connection	to EN 175301 - 803 - A (ex DIN 43650)
Coil Insulation Class	180 (H) to EN 60730-1
Power Rating (High Power)	AC 25 VA (holding) AC 50 VA (inrush) DC 22W

<sup>1</sup> High power coils are not UL approved.

### Features and Benefits

- Direct Acting
- Robust construction for industrial applications
- Stainless steel AISI 430F operators with low residual magnetism
- Coils tested 100% in compliance to RoHS directive and to relevant international standards
- High quality seal materials
- Response time 5 to 25 ms



Pipe Size	Cv <sup>2</sup> (gpm)	Kv <sup>2</sup> (m <sup>3</sup> /h)	OPD psi (bar) <sup>3</sup>		Orifice inches (mm)	Seal Material	Valve Code
			AC Voltages	DC Voltages			
¼	0.05	0.04	0 - 2900 (0 - 200)	0 - 870 (0 - 60)	⅜ <sub>64</sub> (1.2)	RUBY	D263DRBN1
¼	0.09	0.08	0 - 2900 (0 - 200)	0 - 507 (0 - 35)	⅛ <sub>16</sub> (1.5)	RUBY	D263DRCN1
¼	0.15	0.13	0 - 1740 (0 - 120)	0 - 362 (0 - 25)	⅝ <sub>64</sub> (2.0)	RUBY	D263DRBN1
¼	0.32	0.27	0 - 725 (0 - 50)	0 - 160 (0 - 11)	⅛ <sub>8</sub> (3.0)	RUBY	D263DRHN1

<sup>2</sup> Not 100% leak-proof when used with air/gases. Approx leak rate is 1.5ml/min at max OPD.

<sup>3</sup> When high pressure valves are supplied without a coil, their nameplates display the max OPD of the valve when equipped with an AC (25VA) and DC (22W) coil. If fitting coils with a different power rating OPD will vary, please consult supplier for more details.

### Options Available

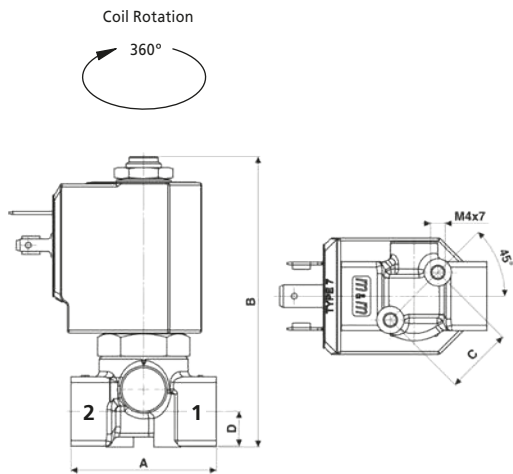
Valve Options (see coding chart)
Body threaded connection ½
G parallel thread (ISO 228-1)

Seal Material <sup>4</sup> and Media Temperature Range	Media	Ambient Temperature Range	
		Min	Max
RUBY 14 °F to 266 °F (-10 °C to +130 °C)	Water, oil, air, aggressive fluids	14 °F (-10 °C)	122 °F (+50 °C)

<sup>4</sup> See corrosion reference guide and sealing solutions for material compatibility.

# D262/263 Series (USA)

High Pressure – 2/2 Normally Closed



Preferred Valve Mounting Options



Pipe Size	A	B	C	D	Weight Lb (kg)
1/8 - 1/4	1.57 (40)	3.05 (77.5)	0.73 (18.5)	0.37 (9.5)	0.57 (0.26)

Dimensions inches (mm)

## Solenoid enclosures

### 7-K1 & 7-Z1 Type Coil - Insulation class H

- External material: PPS (fibreglass & mineral filled)
- Electrical connection: DIN EN 175301-803 form A
- Winding insulation: Class H (E180)
- Enclosure classification: Conforms to NEMA type 4 (UL 50) and IP65 (according to EN 60529) with plug and gasket correctly fitted\*



\* Plug and gasket not supplied as standard, must be ordered separately.

### Type 600 011- Plug

- Rated Voltage (max.): 250 VAC / 300 VDC
- Nominal Current: 10A (rated) / 16A (max)
- Wire cross-section: 0.0023 inch<sup>2</sup> max (1.5 mm<sup>2</sup> max)
- Cable Entry: PG9 (0.24 to 0.31 inch / 6 to 8 mm)
- Enclosure classification: Conforms to IP65 (according to EN 60529) with supplied gasket
- Insulation class: group C- VDE 0110
- Housing colour: black
- UL approved, file No: E205538



## Coding chart

### Main Valve Assembly

Pipe Size	
2	1/8
3	1/4

Orifice		Thread Pipe	
B	3/64	N	NPT
C	1/16		GAS
E	3/64		
H	1/8		

### Coil options

Voltage / Frequency - Class H, High Power	
72Z1	24 VDC
72K1	24 V / 50/60 Hz
74K1	110 V / 50 Hz - 120 V / 60 Hz
77K1	230 V / 50 Hz - 240 V / 60 Hz

### Plug

Plug	
	w/o plug
0A1	c/w plug

D	2	6	•	D	R	•	N	1	•	•	•	•	•	•	•	•
---	---	---	---	---	---	---	---	---	---	---	---	---	---	---	---	---

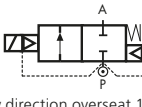
Contact supplier for options.

## Product coding example:

D263DRBN1 72Z1 0A1  
1/4 NPT, auto operation, brass body, RUBY seals, 3/64 orifice, 24 VDC, with plug.

# D634/635/636DTT1 Series

## High Pressure – 2/2 Normally Closed

Specifications	
Function (single acting)	 <p>Flow direction overseat 1 → 2</p>
Maximum Viscosity	Max. 21cST (3 °E)
Body Material (Std)	Brass CW617N (EN 12165)
Orifice Material	Stainless Steel 1.4305 EN 10088 (AISI 303)
Flange Tube (Seamless)	Stainless Steel 1.4305 EN 10088 (AISI 303)
Plunger	Stainless Steel 1.4106 EN 10088 (AISI 430F)
Top Stop	Stainless Steel 1.4105 EN 10088 (AISI 430F)
Piston Material	Brass CW614N (EN 12164)
Springs	Stainless Steel AISI 302
Seal Material (Std)	PTFE
Connection Type (Std)	G parallel thread (ISO 228-1)
Shading Ring	Copper
Electrical Characteristics	
High Power Coil Voltage DC (=)	24 V
High Power Coil Voltage AC 50 Hz (-)	24 V, 110 V, 200 V, 230 V
High Power Coil Voltage AC 60 Hz (-)	24 V, 120 V, 220 V, 240 V
Voltage Tolerance	+10% to -15% (AC)
	+10% to -5% (DC)
Duty Cycle	100% ED
Protection Class	IP65 (EN 60529) with plug and gasket correctly fitted *
Electrical Connection	to EN 175301 - 803 - A (ex DIN 43650)
Coil Insulation	Class H 180 °C
Power Rating (High Power)	AC 25 VA (holding) AC 50 VA (inrush) DC 22 W

### Features and Benefits

- Pilot operated
- Robust construction for industrial applications
- Stainless steel AISI 430F operators with low residual magnetism
- Manufactured in compliance to RoHS directive and to relevant international standards
- High quality seal materials
- Response time 5 to 25 ms



Pipe Size	Cv (gpm)	Kv (m³/h)	OPD (bar)		Orifice (mm)	Seal Material	Valve Code
			AC Voltages	DC Voltages			
¼"	1.47	1.26	0.3 - 140	0.3 - 35	10	PTFE	D634DIT1
⅜"	1.68	1.44	0.3 - 140	0.3 - 35	10	PTFE	D635DIT1
½"	1.76	1.50	0.3 - 140	0.3 - 35	10	PTFE	D636DIT1

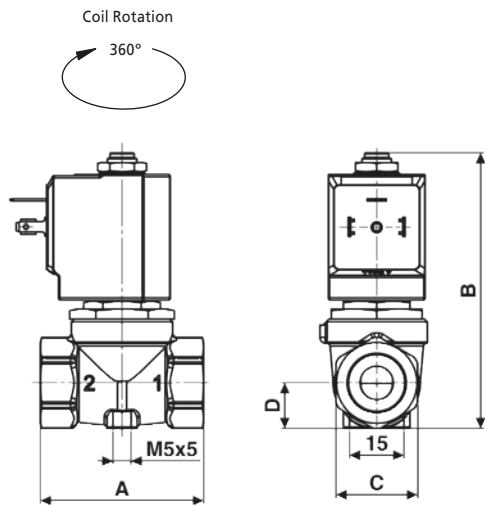
**NOTE:** Not 100% leak-proof when used with air/gases. Approx leak rate is 1.5ml/min at max OPD.  
**ATTENTION:** when high pressure valves are supplied without a coil, their nameplates display the max OPD of the valve when equipped with an AC (25VA) and DC (22W) coil. If fitting coils with a different power rating OPD will vary, please consult supplier for more details.

Seal Material <sup>1</sup> and Media Temperature Range	Media	Ambient Temperature Range	
		Min	Max
PTFE (-10 °C to +130 °C)	Water, oil, liquids	-10 °C	+50 °C

<sup>1</sup> See corrosion reference guide and sealing solutions for material compatibility.

# D634/635/636DTT1 Series

High Pressure – 2/2 Normally Closed



Preferred Valve Mounting Options



Pipe Size	A	B	C	D	Weight (kg)
1/4"	54	100	HEX 27	15	0.5
3/8" to 1/2"	54	100	HEX 27	15	0.45

Dimensions (mm)

## Solenoid enclosures

### 7-K1 & 7-Z1 Type Coil - Insulation class H

External material: PPS (fibreglass & mineral filled)  
 Electrical connection: DIN EN 175301-803 form A  
 Winding insulation: Class H (E180)  
 Enclosure classification: Conforms to IP65 (according to EN 60529) with plug and gasket correctly fitted\*



\* Plug and gasket not supplied as standard, must be ordered separately.

### Type 600 011- Plug

Rated Voltage (max.): 250 VAC / 300 VDC  
 Nominal Current: 10A (rated) / 16A (max)  
 Wire cross-section: 1.5 mm<sup>2</sup> max  
 Cable Entry: PG9 (6 to 8 mm)  
 Enclosure classification: Conforms to IP65 (according to EN 60529) with supplied gasket  
 Insulation class: group C- VDE 0110  
 Housing colour: black  
 UL approved, file No: E205538



## Coding chart

### Main Valve Assembly

Pipe Size
4 1/4"
5 3/8"
6 1/2"

### Coil options

Option	Voltage / Frequency - Class H, High Power
w/o option	
72Z1	24 VDC
72K1	24 V / 50/60 Hz
74K1	110 V / 50 Hz - 120 V / 60 Hz
77K1	230 V / 50 Hz - 240 V / 60 Hz

### Plug

Plug
w/o plug
0A1 c/w plug

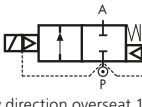
D	6	3	.	D	T	T	1	.	.	.	.	.	.	.
---	---	---	---	---	---	---	---	---	---	---	---	---	---	---

## Product coding example:

D634DTT1 72Z1  
 1/4" G, auto operation, brass body, PTFE seals, 10 mm orifice, 24 VDC, without plug.

# D634/635/636 Series (USA)

## High Pressure – 2/2 Normally Closed

Specifications	
Function (single acting)	 <p>Flow direction overseat 1 → 2</p>
Maximum Viscosity	Max. 21cST (3 °E)
Body Material (Std)	Brass C37700 (UNS Designation)
Orifice Material	Stainless Steel AISI 303 (1.4305 EN 10088)
Flange Tube (seamless)	Stainless Steel AISI 303 (1.4305 EN 10088)
Plunger	Stainless Steel AISI 430F (1.4106 EN 10088)
Top Stop	Stainless Steel AISI 430F (1.4105 EN 10088)
Piston Material	Brass C37700 (UNS Designation)
Springs	Stainless Steel AISI 302
Seal Material (Std)	PTFE
Connection Type	NPT
Shading Ring	Copper
Electrical Characteristics <sup>1</sup>	
High Power Coil Voltage DC (=)	24 V
High Power Coil Voltage AC 50 Hz (-)	24 V, 110 V, 200 V, 230 V
High Power Coil Voltage AC 60 Hz (-)	24 V, 120 V, 220 V, 240 V
Voltage Tolerance	+10% to -15% (AC)
	+10% to -5% (DC)
Duty Cycle	100% ED
Enclosure Classification	NEMA type 4 (UL 50) and IP65 (EN 60529) with plug and gasket correctly fitted *
Electrical Connection	to EN 175301 - 803 - A (ex DIN 43650)
Coil Insulation Class	180 (H) to EN 60730-1
Power Rating (High Power)	AC 25 VA (holding) AC 50 VA (inrush) DC 22 W

<sup>1</sup> High power coils are not UL approved.

### Features and Benefits

- Pilot operated
- Robust construction for industrial applications
- Stainless steel AISI 430F operators with low residual magnetism
- Coils tested 100% in compliance to RoHS directive and to relevant international standards
- High quality seal materials
- Response time 5 to 25 ms



Pipe Size	Cv <sup>2</sup> (gpm)	Kv <sup>2</sup> (m <sup>3</sup> /h)	OPD psi (bar) <sup>3</sup>		Orifice inches (mm)	Seal Material	Valve Code
			AC Voltages	DC Voltages			
1/4	1.47	1.26	4.4 - 2030 (0.3 - 140)	4.4 - 507 (0.3 - 35)	25/64 (10)	PTFE	D634DITN1
3/8	1.68	1.44	4.4 - 2030 (0.3 - 140)	4.4 - 507 (0.3 - 35)	25/64 (10)	PTFE	D635DITN1
1/2	1.76	1.50	4.4 - 2030 (0.3 - 140)	4.4 - 507 (0.3 - 35)	25/64 (10)	PTFE	D636DITN1

<sup>2</sup> Not 100% leak-proof when used with air/gases. Approx leak rate is 1.5ml/min at max OPD.

<sup>3</sup> When high pressure valves are supplied without a coil, their nameplates display the max OPD of the valve when equipped with an AC (25VA) and DC (22W) coil. If fitting coils with a different power rating OPD will vary, please consult supplier for more details.

### Options Available

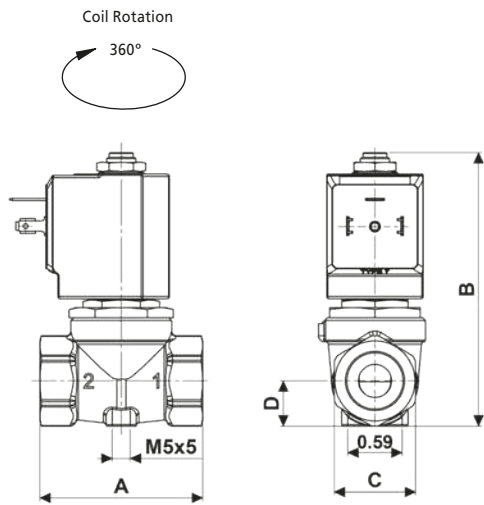
Valve Options (see coding chart)
G parallel thread (ISO 228-1)

Seal Material <sup>4</sup> and Media Temperature Range	Media	Ambient Temperature Range	
		Min	Max
PTFE 14 °F to 266 °F (-10 °C to +130 °C)	Water, oil, liquids	14 °F (-10 °C)	122 °F (+50 °C)

<sup>4</sup> See corrosion reference guide and sealing solutions for material compatibility.

# D634/635/636 Series (USA)

High Pressure – 2/2 Normally Closed



Preferred Valve Mounting Options



Pipe Size	A	B	C	D	Weight Lb (kg)
1/4"	2.13 (54)	3.94 (100)	HEX 27 (27)	0.59 (15)	1.10 (0.5)
3/8" to 1/2"	2.13 (54)	3.94 (100)	HEX 27 (27)	0.59 (15)	0.99 (0.45)

Dimensions inches (mm)

## Solenoid enclosures

### 7-K1 & 7-Z1 Type Coil - Insulation class H

- External material: PPS (fibreglass & mineral filled)
- Electrical connection: DIN EN 175301-803 form A
- Winding insulation: Class H (E180)
- Enclosure classification: Conforms to NEMA type 4 (UL 50) and IP65 (according to EN 60529) with plug and gasket correctly fitted\*



\* Plug and gasket not supplied as standard, must be ordered separately.

### Type 600 011- Plug

- Rated Voltage (max.): 250 VAC / 300 VDC
- Nominal Current: 10A (rated) / 16A (max)
- Wire cross-section: 0.0023 inch<sup>2</sup> max (1.5 mm<sup>2</sup> max)
- Cable Entry: PG9 (0.24 to 0.31 inch / 6 to 8 mm)
- Enclosure classification: Conforms to IP65 (according to EN 60529) with supplied gasket
- Insulation class: group C- VDE 0110
- Housing colour: black
- UL approved, file No: E205538



## Coding chart

### Main Valve Assembly

Pipe Size	
4	1/4
5	3/8
6	1/2

Thread Pipe	
N	NPT
GAS	

### Coil options

Voltage / Frequency - Class H, High Power	
72Z1	24 VDC
72K1	24 V / 50/60 Hz
74K1	110 V / 50 Hz - 120 V / 60 Hz
77K1	230 V / 50 Hz - 240 V / 60 Hz

### Plug

Plug	
	w/o plug
0A1	c/w plug

D	6	3	•	D	T	T	N	1	•	•	•	•	•	•	•
---	---	---	---	---	---	---	---	---	---	---	---	---	---	---	---

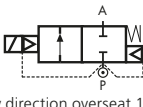
### Product coding example:

D634DTT1 72Z1  
1/4 NPT, auto operation, brass body, PTFE seals, 25/64 orifice, 24 VDC, without plug.



# D232/233/234 Series

## High Pressure & Compressed Air – 2/2 Normally Closed

Specifications	
Function (single acting)	 Flow direction overseat 1 → 2
Maximum Viscosity	Max. 21cST (3 °E)
Body Material (Std)	Brass CW617N (EN 12165)
Orifice Material	Stainless Steel 1.4305 EN 10088 (AISI 303)
Flange Tube (Seamless)	Stainless Steel 1.4305 EN 10088 (AISI 303)
Plunger	Stainless Steel 1.4106 EN 10088 (AISI 430F)
Top Stop	Stainless Steel 1.4105 EN 10088 (AISI 430F)
Springs	Stainless Steel AISI 302
Operator Seal Material <sup>1</sup>	RUBY
Diaphragm Material	FKM
Main Seal Material <sup>1</sup>	PTFE
Connection Type (Std)	G parallel thread (ISO 228-1)
Shading Ring	Copper
Electrical Characteristics	
Standard Coil Voltage DC (=)	24 V
Standard Coil Voltage AC 50 Hz (-)	24 V, 110 V, 200 V, 230 V
Standard Coil Voltage AC 60 Hz (-)	24 V, 120 V, 220 V, 240 V
Voltage Tolerance	+10% to -15% (AC)
	+10% to -5% (DC)
Duty Cycle	100% ED
Protection Class	IP65 (EN 60529) with plug and gasket correctly fitted *
Electrical Connection	to EN 175301 - 803 - A (ex DIN 43650)
Coil Insulation	Class F 155 °C
Power Rating (Standard)	AC 18 VA (holding) AC 36 VA (inrush) DC 14 W

<sup>1</sup> For D23-D<sub>W</sub> operator seal material is foodgrade FKM and main seal material is FKM.

### Features and Benefits

- Pilot operated
- Robust construction for industrial applications
- Stainless steel AISI 430F operators with low residual magnetism
- Manufactured in compliance to RoHS directive and to relevant international standards
- High quality seal materials
- Response time 50 to 500 ms



Pipe Size	Cv (gpm)	Kv (m <sup>3</sup> /h)	OPD (bar)		Orifice (mm)	Seal Material	Valve Code
			AC Voltages	DC Voltages			
3/8"	2.95	2.52	1 - 50	1 - 50	16	PTFE	D232DI <sub>W</sub> <sup>2</sup>
1/2"	3.23	2.76	1 - 50	1 - 50	16	PTFE	D233DI <sub>W</sub> <sup>2</sup>
3/4"	3.37	2.88	1 - 50	1 - 50	16	PTFE	D234DI <sub>W</sub> <sup>2</sup>
3/8"	2.95	2.52	1 - 25	1 - 25	16	FKM	D232D <sub>W</sub> <sup>3</sup>
1/2"	3.23	2.76	1 - 25	1 - 25	16	FKM	D233D <sub>W</sub> <sup>3</sup>
3/4"	3.37	2.88	1 - 25	1 - 25	16	FKM	D234D <sub>W</sub> <sup>3</sup>

<sup>2</sup> Not 100% leak-proof when used with air/gases. Approximate leak rate is 1.5 ml/min at max. OPD.

<sup>3</sup> Non standard, MOQ required.

### Options Available

Valve Options (see coding chart)
NPT threads (minimum batch may be required)

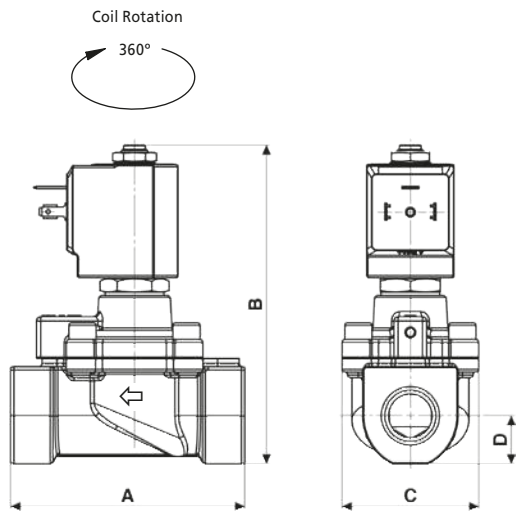
Seal Material <sup>4</sup> and Media Temperature Range	Media	Ambient Temperature Range	
		Min	Max
PTFE (-10 °C to +130 °C)	Water <sup>5</sup> , oil, air	-10 °C	+50 °C
FKM (-10 °C to +130 °C)	Water <sup>5</sup> , oil, air	-10 °C	+50 °C

<sup>4</sup> See corrosion reference guide and sealing solutions for material compatibility.

<sup>5</sup> When using liquid fluids waterhammer and pressures higher than 20 barg can cause the diaphragm to tear.

# D232/233/234 Series

## High Pressure & Compressed Air – 2/2 Normally Closed



Preferred Valve Mounting Options



Pipe Size	A	B	C	D	Weight (kg)
3/8"	86	116.5	50.2	17.5	1
1/2" - 3/4"	86	116.5	50.2	17.5	0.9

Dimensions (mm)

### Solenoid enclosures

#### 7--0 Type Coil - Insulation class F

- External material: PBT (reinforced fibreglass 30%)
- Electrical connection: DIN EN 175301-803 form A
- Winding insulation: Class H (E180)
- Enclosure classification: Conforms to IP65 (according to EN 60529) with plug and gasket correctly fitted\*



\* Plug and gasket not supplied as standard, must be ordered separately.

#### Type 600 011- Plug

- Rated Voltage (max.): 250 VAC / 300 VDC
- Nominal Current: 10A (rated) / 16A (max)
- Wire cross-section: 1.5 mm<sup>2</sup> max
- Cable Entry: PG9 (6 to 8 mm)
- Enclosure classification: Conforms to IP65 (according to EN 60529) with supplied gasket
- Insulation class: group C- VDE 0110
- Housing colour: black
- UL approved, file No: E205538



### Coding chart

#### Main Valve Assembly

Pipe Size
2 3/8"
3 1/2"
4 3/4"

Seals	
T	PTFE
V	FKM

Option	
N	NPT
	w/o option

Voltage / Frequency - Class F	
7250	24 VDC
7200	24 V / 50/60 Hz
7400	110 V / 50 Hz - 120 V / 60 Hz
7600	200 V / 50 Hz - 220 V / 60 Hz
7700	230 V / 50 Hz - 240 V / 60 Hz

Plug	
	w/o plug
0A1	c/w plug

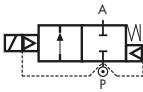






### Product coding example:

D232DTW 7200  
3/8" G, auto operation, brass body, PTFE main seal, 16 mm orifice, 24 V / 50/60 Hz, without plug.

# D232/233/234 Series (USA)

## High Pressure & Compressed Air – 2/2 Normally Closed

Specifications	
Function (single acting)	 <p>Flow direction overseat 1 → 2</p>
Maximum Viscosity	Max. 21cST (3 °E)
Body Material (Std)	Brass C37700 (UNS Designation)
Orifice Material	Stainless Steel AISI 303 (1.4305 EN 10088)
Flange Tube (seamless)	Stainless Steel AISI 303 (1.4305 EN 10088)
Plunger	Stainless Steel AISI 430F (1.4106 EN 10088)
Top Stop	Stainless Steel AISI 430F (1.4105 EN 10088)
Springs	Stainless Steel AISI 302
Operator Seal Material <sup>1</sup>	RUBY
Diaphragm Material	FKM
Main Seal Material <sup>1</sup>	PTFE
Connection Type	NPT
Shading Ring	Copper
Electrical Characteristics	
 Coil Voltage DC (=)	24 V
 Coil Voltage AC 50 Hz (-)	24 V, 110 V, 230 V
 Coil Voltage AC 60 Hz (-)	120 V, 240 V
Voltage Tolerance	+10% to -15% (AC)
	+10% to -5% (DC)
Duty Cycle	100% ED
Enclosure Classification	NEMA type 4 (UL 50) and IP65 (EN 60529) with plug and gasket correctly fitted *
Electrical Connection	to EN 175301 - 803 - A (ex DIN 43650)
Coil Insulation Class	155 (F) to UL429 and to EN 60730-1
Power Rating 	AC 15 VA (holding) AC 30 VA (inrush) DC 10 W

<sup>1</sup> For D23-D<sub>U</sub>WN operator seal material is foodgrade FKM and main seal material is FKM.

### Features and Benefits

- Pilot operated
- Robust construction for industrial applications
- Stainless steel AISI 430F operators with low residual magnetism
- High quality seal materials
- Response time 50 to 500 ms



Pipe Size	Cv (gpm)	Kv (m <sup>3</sup> /h)	OPD psi (bar)		Orifice inches (mm)	Seal Material	Valve Code
			AC Voltages	DC Voltages			
3/8	2.95	2.52	14.5 - 725 (1 - 50)	14.5 - 725 (1 - 50)	2 <sup>1</sup> / <sub>32</sub> (16)	PTFE	D232D <sub>I</sub> WN <sup>2</sup>
1/2	3.23	2.76	14.5 - 725 (1 - 50)	14.5 - 725 (1 - 50)	2 <sup>1</sup> / <sub>32</sub> (16)	PTFE	D233D <sub>I</sub> WN <sup>2</sup>
3/4	3.37	2.88	14.5 - 725 (1 - 50)	14.5 - 725 (1 - 50)	2 <sup>1</sup> / <sub>32</sub> (16)	PTFE	D234D <sub>I</sub> WN <sup>2</sup>
3/8	2.95	2.52	1.5 - 362 (1 - 25)	1.5 - 362 (1 - 25)	2 <sup>1</sup> / <sub>32</sub> (16)	FKM	D232D <sub>U</sub> WN
1/2	3.23	2.76	1.5 - 362 (1 - 25)	1.5 - 362 (1 - 25)	2 <sup>1</sup> / <sub>32</sub> (16)	FKM	D233D <sub>U</sub> WN
3/4	3.37	2.88	1.5 - 362 (1 - 25)	1.5 - 362 (1 - 25)	2 <sup>1</sup> / <sub>32</sub> (16)	FKM	D234D <sub>U</sub> WN

<sup>2</sup> Not 100% leak-proof when used with air/gases. Approximate leak rate is 1.5 ml/min at max. OPD.

### Options Available

Valve Options (see coding chart)
G parallel thread (ISO 228-1)
CE coils, power DC 14W - AC 18 VA

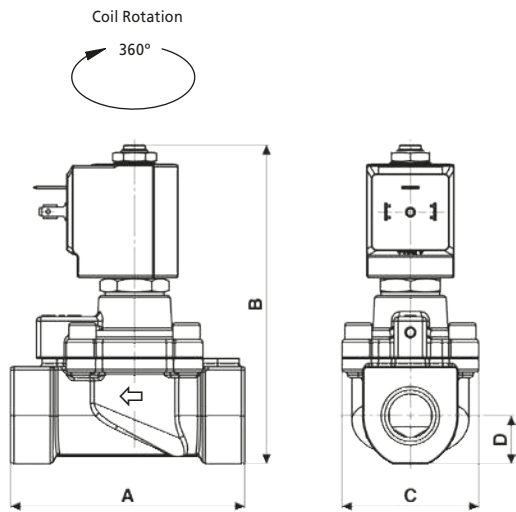
Seal Material <sup>3</sup> and Media Temperature Range	Media	Ambient Temperature Range	
		Min	Max
PTFE 14 °F to 266 °F (-10 °C to +130 °C)	Water <sup>4</sup> , oil, air	14 °F (-10 °C)	122 °F (+50 °C)
FKM 14 °F to 266 °F (-10 °C to +130 °C)	Water <sup>4</sup> , oil, air	14 °F (-10 °C)	122 °F (+50 °C)

<sup>3</sup> See corrosion reference guide and sealing solutions for material compatibility.

<sup>4</sup> When using liquid fluids waterhammer and pressures higher than 290 psi (20 barg) can cause the diaphragm to tear.

# D232/233/234 Series (USA)

High Pressure & Compressed Air – 2/2 Normally Closed



Preferred Valve Mounting Options



Pipe Size	A	B	C	D	Weight Lb (kg)
3/8	3.39 (86)	4.59 (116.5)	1.98 (50.2)	0.69 (17.5)	2.20 (1)
1/2 - 3/4	3.39 (86)	4.59 (116.5)	1.98 (50.2)	0.69 (17.5)	1.98 (0.9)

Dimensions inches (mm)

## Solenoid enclosures

### 7--R cULus Type Coil - Insulation class F

Encapsulation material: PET 815ER Rynite®  
 Electrical connection: DIN EN 175301-803 form A  
 Winding insulation: Class H (P180)  
 Enclosure classification: Conforms to NEMA type 4 (UL 50) and IP65 (according to EN 60529) with plug and gasket correctly fitted\*  
 UL approved, file No: E193928



\* Plug and gasket not supplied as standard, must be ordered separately.

### Type 600 011- Plug

Rated Voltage (max.): 250 VAC / 300 VDC  
 Nominal Current: 10A (rated) / 16A (max)  
 Wire cross-section: 0.0023 inch² max (1.5 mm² max)  
 Cable Entry: PG9 (0.24 to 0.31 inch / 6 to 8 mm)  
 Enclosure classification: Conforms to IP65 (according to EN 60529) with supplied gasket  
 Insulation class: group C- VDE 0110  
 Housing colour: black  
 UL approved, file No: E205538



## Coding chart

### Main Valve Assembly

Pipe Size	
2	3/8
3	1/2
4	3/4

Seals	
T	PTFE
V	FKM

Thread Pipe	Option
N	NPT
	GAS
	w/o option

### Coil options

Voltage / Frequency - cULus Type, Class F	
725R	24 VDC
720R	24 V / 50 Hz
740R	110 V / 50 Hz - 120 V / 60 Hz
770R	230 V / 50 Hz - 240 V / 60 Hz

Voltage / Frequency - CE Type, Class F	
7250	24 VDC
7200	24 V / 50/60 Hz
7400	110 V / 50 Hz - 120 V / 60 Hz
7600	200 V / 50 Hz - 220 V / 60 Hz
7700	230 V / 50 Hz - 240 V / 60 Hz

### Plug

Plug	
	w/o plug
0A1	c/w plug

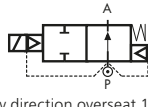
D	2	3	.	D	.	W	N	.	.	.	.	.	.	.	.
---	---	---	---	---	---	---	---	---	---	---	---	---	---	---	---

## Product coding example:

D232DTWN 720R  
 3/8 NPT, auto operation, brass body, PTFE main seal, 2/32 orifice, 24 V / 50 Hz, without plug.

# RD232/233/234 Series

## High Pressure – 2/2 Normally Open

Specifications	
Function (single acting)	 Flow direction overseat 1 → 2
Maximum Viscosity	Max. 21cST (3 °E)
Body Material (Std)	Brass CW617N (EN 12165)
Orifice Material	Stainless Steel 1.4305 EN 10088 (AISI 303)
Flange Tube	Stainless Steel 1.4305 EN 10088 (AISI 303)
Plunger	Stainless Steel 1.4106 EN 10088 (AISI 430F)
Top Stop	Stainless Steel 1.4105 EN 10088 (AISI 430F)
Springs	Stainless Steel AISI 302
Operator Seal Material <sup>1</sup>	RUBY
Diaphragm Material	FKM
Main Seal Material <sup>1</sup>	PTFE
Connection Type (Std)	G parallel thread (ISO 228-1)
Shading Ring	Copper
Electrical Characteristics	
Standard Coil Voltage DC (=)	24 V
Standard Coil Voltage AC 50 Hz (-)	24 V, 110 V, 200 V, 230 V
Standard Coil Voltage AC 60 Hz (-)	24 V, 120 V, 220 V, 240 V
Voltage Tolerance	+10% to -15% (AC)
	+10% to -5% (DC)
Duty Cycle	100% ED
Protection Class	IP65 (EN 60529) with plug and gasket correctly fitted *
Electrical Connection	to EN 175301 - 803 - A (ex DIN 43650)
Coil Insulation	Class H 180 °C
Power Rating (Standard)	AC 18 VA (holding) AC 36 VA (inrush) DC 14 W

<sup>1</sup> For RD23-DVW operator seal material is foodgrade FKM and main seal material is FKM.

### Features and Benefits

- Pilot operated
- Robust construction for industrial applications
- Stainless steel AISI 430F operators with low residual magnetism
- Manufactured in compliance to RoHS directive and to relevant international standards
- High quality seal materials
- Response time 50 to 500 ms



Pipe Size	Cv (gpm)	Kv (m³/h)	OPD (bar)		Orifice (mm)	Seal Material	Valve Code
			AC Voltages	DC Voltages			
3/8"	2.95	2.52	1 - 50	1 - 50	16	PTFE	RD232DIW <sup>2</sup>
1/2"	3.23	2.76	1 - 50	1 - 50	16	PTFE	RD233DIW <sup>2</sup>
3/4"	3.37	2.88	1 - 50	1 - 50	16	PTFE	RD234DIW <sup>2</sup>
3/8"	2.95	2.52	1 - 25	1 - 25	16	FKM	RD232DVW <sup>3</sup>
1/2"	3.23	2.76	1 - 25	1 - 25	16	FKM	RD233DVW <sup>3</sup>
3/4"	3.37	2.88	1 - 25	1 - 25	16	FKM	RD234DVW <sup>3</sup>

<sup>2</sup> Not 100% leak-proof when used with air/gases. Approximate leak rate is 1.5 ml/min at max. OPD.

<sup>3</sup> Non standard, MOQ required.

### Options Available

Valve Options (see coding chart)
NPT threads (minimum batch may be required)

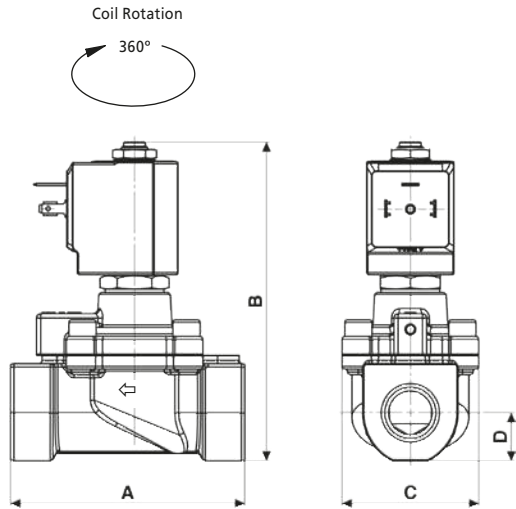
Seal Material <sup>4</sup> and Media Temperature Range	Media	Ambient Temperature Range	
		Min	Max
PTFE (-10 °C to +130 °C)	Water <sup>5</sup> , oil, air	-10 °C	+50 °C
FKM (-10 °C to +130 °C)	Water <sup>5</sup> , oil, air	-10 °C	+50 °C

<sup>4</sup> See corrosion reference guide and sealing solutions for material compatibility.

<sup>5</sup> When using liquid fluids waterhammer and pressures higher than 20 barg can cause the diaphragm to tear.

# RD232/233/234 Series

## High Pressure – 2/2 Normally Open



Preferred Valve Mounting Options



Pipe Size	A	B	C	D	Weight (kg)
3/8"	86	116.5	50.2	17.5	1
1/2" - 3/4"	86	116.5	50.2	17.5	0.9

Dimensions (mm)

### Solenoid enclosures

#### 7--1 Type Coil - Insulation class H

- External material: PPS (fibreglass & mineral filled)
- Electrical connection: DIN EN 175301-803 form A
- Winding insulation: Class H (E180)
- Enclosure classification: Conforms to IP65 (according to EN 60529) with plug and gasket correctly fitted\*



#### Type 600 011- Plug

- Rated Voltage (max.): 250 VAC / 300 VDC
- Nominal Current: 10A (rated) / 16A (max)
- Wire cross-section: 1.5 mm<sup>2</sup> max
- Cable Entry: PG9 (6 to 8 mm)
- Enclosure classification: Conforms to IP65 (according to EN 60529) with supplied gasket
- Insulation class: group C- VDE 0110
- Housing colour: black
- UL approved, file No: E205538



\* Plug and gasket not supplied as standard, must be ordered separately.

### Coding chart

#### Main Valve Assembly

Pipe Size
2 3/8"
3 1/2"
4 3/4"

Seals
T PTFE
V FKM

Option
N NPT
w/o option

#### Coil options

Voltage / Frequency - Class H	
7251	24 VDC
7201	24 V / 50/60 Hz
7401	110 V / 50 Hz - 120 V / 60 Hz
7601	200 V / 50 Hz - 220 V / 60 Hz
7701	230 V / 50 Hz - 240 V / 60 Hz

#### Plug

Plug
w/o plug
0A1 c/w plug

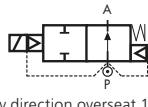
RD	2	3	.	D	.	W	.	.	.	.	.	.	.	.	.	.
----	---	---	---	---	---	---	---	---	---	---	---	---	---	---	---	---

### Product coding example:

RD233DTW 7701 0A1  
1/2" G, auto operation, brass body, PTFE seals, 16.5 mm orifice, 230 V / 50 Hz - 240 V / 60 Hz, with plug.

# RD232/233/234 Series (USA)

## High Pressure – 2/2 Normally Open

Specifications	
Function (single acting)	 <p>Flow direction overseat 1 → 2</p>
Maximum Viscosity	Max. 21cST (3 °E)
Body Material (Std)	Brass C37700 (UNS Designation)
Orifice Material	Stainless Steel AISI 303 (1.4305 EN 10088)
Flange Tube	Stainless Steel AISI 303 (1.4305 EN 10088)
Plunger	Stainless Steel AISI 430F (1.4106 EN 10088)
Top Stop	Stainless Steel AISI 430F (1.4105 EN 10088)
Springs	Stainless Steel AISI 302
Operator Seal Material <sup>1</sup>	RUBY
Diaphragm Material	FKM
Main Seal Material <sup>1</sup>	PTFE
Connection Type	NPT
Shading Ring	Copper
Electrical Characteristics <sup>2</sup>	
Standard Coil Voltage DC (=)	24 V
Standard Coil Voltage AC 50 Hz (-)	24 V, 110 V, 200 V, 230 V
Standard Coil Voltage AC 60 Hz (-)	24 V, 120 V, 220 V, 240 V
Voltage Tolerance	+10% to -15% (AC)
	+10% to -5% (DC)
Duty Cycle	100% ED
Enclosure Classification	NEMA type 4 (UL 50) and IP65 (EN 60529) with plug and gasket correctly fitted *
Electrical Connection	to EN 175301 - 803 - A (ex DIN 43650)
Coil Insulation Class	180 (H) to EN 60730-1
Power Rating (Standard)	AC 18 VA (holding) AC 36 VA (inrush) DC 14 W

<sup>1</sup> For RD23-D $\bar{V}$ WN operator seal material is foodgrade FKM and main seal material is FKM.

<sup>2</sup> This coils are not UL approved.

### Options Available

Valve Options (see coding chart)
G parallel thread (ISO 228-1)

### Features and Benefits

- Pilot operated
- Robust construction for industrial applications:
- Stainless steel AISI 430F operators with low residual magnetism
- High quality seal materials
- Response time 50 to 500 ms



Pipe Size	Cv (gpm)	Kv (m <sup>3</sup> /h)	OPD psi (bar)		Orifice inches (mm)	Seal Material	Valve Code
			AC Voltages	DC Voltages			
3/8	2.95	2.52	14.5 - 725 (1 - 50)	14.5 - 725 (1 - 50)	2 <sup>1</sup> / <sub>32</sub> (16)	PTFE	RD232D $\bar{I}$ WN <sup>3</sup>
1/2	3.23	2.76	14.5 - 725 (1 - 50)	14.5 - 725 (1 - 50)	2 <sup>1</sup> / <sub>32</sub> (16)	PTFE	RD233D $\bar{I}$ WN <sup>3</sup>
3/4	3.37	2.88	14.5 - 725 (1 - 50)	14.5 - 725 (1 - 50)	2 <sup>1</sup> / <sub>32</sub> (16)	PTFE	RD234D $\bar{I}$ WN <sup>3</sup>
3/8	2.95	2.52	14.5 - 362 (1 - 25)	14.5 - 362 (1 - 25)	2 <sup>1</sup> / <sub>32</sub> (16)	FKM	RD232D $\bar{V}$ WN
1/2	3.23	2.76	14.5 - 362 (1 - 25)	14.5 - 362 (1 - 25)	2 <sup>1</sup> / <sub>32</sub> (16)	FKM	RD233D $\bar{V}$ WN
3/4	3.37	2.88	14.5 - 362 (1 - 25)	14.5 - 362 (1 - 25)	2 <sup>1</sup> / <sub>32</sub> (16)	FKM	RD234D $\bar{V}$ WN

<sup>3</sup> Not 100% leak-proof when used with air/gases. Approximate leak rate is 1.5 ml/min at max. OPD.

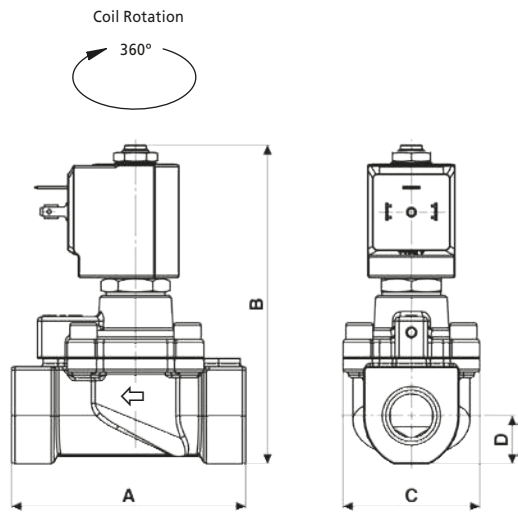
Seal Material <sup>4</sup> and Media Temperature Range	Media	Ambient Temperature Range	
		Min	Max
PTFE 14 °F to 266 °F (-10 °C to +130 °C)	Water <sup>5</sup> , oil, air	14 °F (-10 °C)	122 °F (+50 °C)
FKM 14 °F to 266 °F (-10 °C to +130 °C)	Water <sup>5</sup> , oil, air	14 °F (-10 °C)	122 °F (+50 °C)

<sup>4</sup> See corrosion reference guide and sealing solutions for material compatibility.

<sup>5</sup> When using liquid fluids waterhammer and pressures higher than 290 psi (20 barg) can cause the diaphragm to tear.

# RD232/233/234 Series (USA)

High Pressure – 2/2 Normally Open



Preferred Valve Mounting Options



Pipe Size	A	B	C	D	Weight Lb (kg)
3/8"	3.39 (86)	4.59 (116.5)	1.98 (50.2)	0.69 (17.5)	2.20 (1)
1/2" - 3/4"	3.39 (86)	4.59 (116.5)	1.98 (50.2)	0.69 (17.5)	1.98 (0.9)

Dimensions inches (mm)

## Solenoid enclosures

### 7--1 Type Coil - Insulation class H

External material: PPS (fibreglass & mineral filled)  
 Electrical connection: DIN EN 175301-803 form A  
 Winding insulation: Class H (E180)  
 Enclosure classification: Conforms to NEMA type 4 (UL 50) and IP65 (according to EN 60529) with plug and gasket correctly fitted\*



\* Plug and gasket not supplied as standard, must be ordered separately.

### Type 600 011- Plug

Rated Voltage (max.): 250 VAC / 300 VDC  
 Nominal Current: 10A (rated) / 16A (max)  
 Wire cross-section: 0.0023 inch<sup>2</sup> max (1.5 mm<sup>2</sup> max)  
 Cable Entry: PG9 (0.24 to 0.31 inch / 6 to 8 mm)  
 Enclosure classification: Conforms to IP65 (according to EN 60529) with supplied gasket  
 Insulation class: group C- VDE 0110  
 Housing colour: black  
 UL approved, file No: E205538



## Coding chart

### Main Valve Assembly

Pipe Size	
2	3/8"
3	1/2"
4	3/4"

Seals	
T	PTFE
V	FKM

Thread Pipe	Option
N	NPT
	GAS
	w/o option

### Coil options

Voltage / Frequency - Class H	
7251	24 VDC
7201	24 V / 50/60 Hz
7401	110 V / 50 Hz - 120 V / 60 Hz
7601	200 V / 50 Hz - 220 V / 60 Hz
7701	230 V / 50 Hz - 240 V / 60 Hz

### Plug

Plug	
	w/o plug
0A1	c/w plug

RD	2	3	.	D	.	W	N	.	.	.	.	.	.	.	.	.
----	---	---	---	---	---	---	---	---	---	---	---	---	---	---	---	---

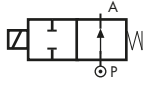
## Product coding example:

RD233DTWN 7701 0A1  
 1/2 NPT, auto operation, brass body, PTFE seals, 2<sup>1</sup>/<sub>32</sub> orifice, 230 V / 50 Hz - 240 V / 60 Hz, with plug.



# RD236DR-1 Series

## High Pressure – 2/2 Normally Open

Specifications	
Function (single acting)	 <p>Flow direction overseat 1 → 2</p>
Maximum Viscosity	Max. 21cST (3 °E)
Body Material (Std)	Brass CW617N (EN 12165)
Orifice Material	Stainless Steel 1.4305 EN 10088 (AISI 303)
Flange Tube (Seamless)	Stainless Steel 1.4305 EN 10088 (AISI 303)
Plunger	Stainless Steel 1.4106 EN 10088 (AISI 430F)
Top Stop	Stainless Steel 1.4105 EN 10088 (AISI 430F)
Springs	Stainless Steel AISI 302
Seal Material (Std)	Ruby
Connection Type (Std)	G parallel thread (ISO 228-1)
Shading Ring	Copper
Electrical Characteristics	
High Power Coil Voltage DC (=)	24 V
High Power Coil Voltage AC 50 Hz (-)	24 V, 110 V, 230 V
High Power Coil Voltage AC 60 Hz (-)	24 V, 120 V, 240 V
Voltage Tolerance	+10% to -15% (AC)
	+10% to -5% (DC)
Duty Cycle	100% ED
Protection Class	IP65 (EN 60529) with plug and gasket correctly fitted *
Electrical Connection	to EN 175301 - 803 - A (ex DIN 43650)
Coil Insulation	Class H 180 °C
Power Rating (High Power)	AC 25 VA (holding) AC 50 VA (inrush) DC 22 W

### Features and Benefits

- Direct Acting
- Robust construction for industrial applications
- Zero pressure rated
- Stainless steel AISI 430F operators with low residual magnetism
- Manufactured in compliance to RoHS directive and to relevant international standards
- High quality seal materials
- Response time 5 to 25 ms



Pipe Size	Cv (gpm)	Kv (m³/h)	OPD (bar)		Orifice (mm)	Seal Material	Valve Code
			AC Voltages	DC Voltages			
¼"	0.04	0.03	0 - 180	0 - 180	1.0	RUBY	RD236DR <u>A</u> 1
¼"	0.09	0.08	0 - 150	0 - 150	1.5	RUBY	RD236DR <u>C</u> 1
¼"	0.14	0.12	0 - 60	0 - 60	2.0	RUBY	RD236DR <u>E</u> 1
¼"	0.20	0.17	0 - 37	0 - 37	2.5	RUBY	RD236DR <u>G</u> 1
¼"	0.25	0.21	0 - 28	0 - 28	3.0	RUBY	RD236DR <u>H</u> 1

NOTE: Not 100% leak-proof when used with air/gases. Approx leak rate is 1.5ml/min at max OPD.

ATTENTION: when high pressure valves are supplied without a coil, their nameplates display the max OPD of the valve when equipped with an AC (25VA) and DC(22W) coil. If fitting coils with a different power rating OPD will vary, please consult supplier for more details.

### Options Available

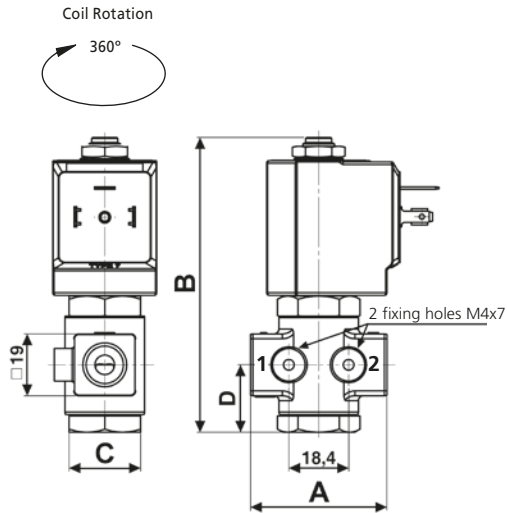
Valve Options (see coding chart)
Coils with additional protection by impregnation with Loctite® Resinol RTC for humid environments

Seal Material <sup>1</sup> and Media Temperature Range	Media	Ambient Temperature Range	
		Min	Max
RUBY (-10 °C to +130 °C)	Water, oil, air, aggressive fluids	-10 °C	+50 °C

<sup>1</sup> See corrosion reference guide and sealing solutions for material compatibility.

# RD236DR-1 Series

High Pressure – 2/2 Normally Open



Preferred Valve Mounting Options



Pipe Size	A	B	C	D	Weight (kg)
1/4"	47	91	Hex 22	20.75	0.25

Dimensions (mm)

## Solenoid enclosures

### 7-K1 & 7-Z1 Type Coil - Insulation class H

- External material: PPS (fibreglass & mineral filled)
- Electrical connection: DIN EN 175301-803 form A
- Winding insulation: Class H (E180)
- Enclosure classification: Conforms to IP65 (according to EN 60529) with plug and gasket correctly fitted\*



\* Plug and gasket not supplied as standard, must be ordered separately.

### Type 600 011- Plug

- Rated Voltage (max.): 250 VAC / 300 VDC
- Nominal Current: 10A (rated) / 16A (max)
- Wire cross-section: 1.5 mm<sup>2</sup> max
- Cable Entry: PG9 (6 to 8 mm)
- Enclosure classification: Conforms to IP65 (according to EN 60529) with supplied gasket
- Insulation class: group C- VDE 0110
- Housing colour: black
- UL approved, file No: E205538

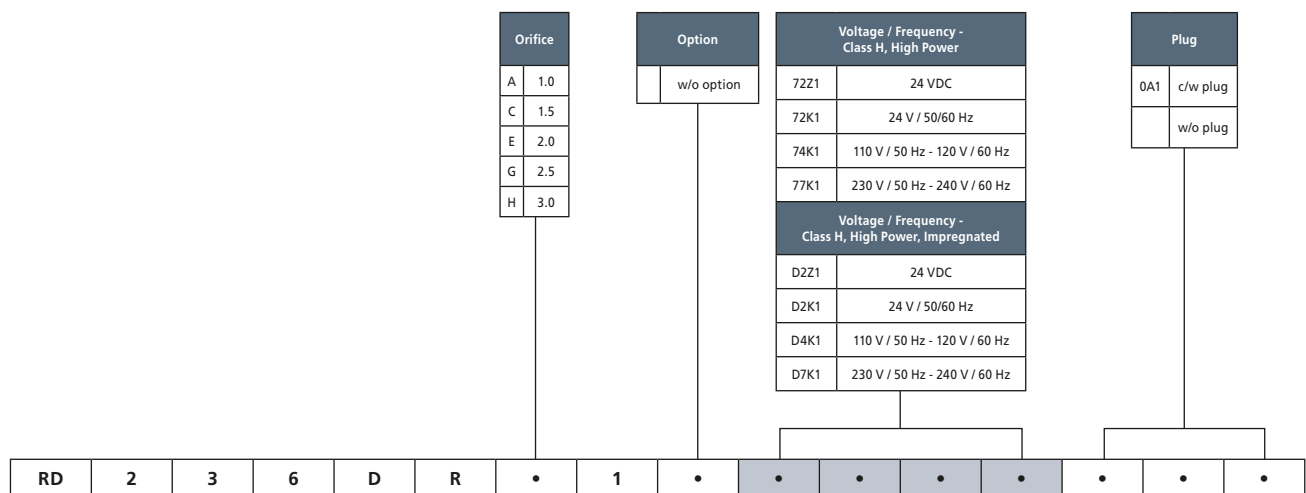


## Coding chart

### Main Valve Assembly

### Coil options

### Plug

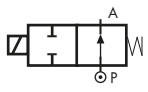


### Product coding example:

RD236DRC1 72K1  
1/4" G, auto operation, brass body, RUBY seals, 1.5 mm orifice, 24 V / 50/60 Hz, without plug.

# RD236 Series (USA)

## High Pressure – 2/2 Normally Open

Specifications	
Function (single acting)	 <p>Flow direction overseat 1 → 2</p>
Maximum Viscosity	Max. 21cST (3 °E)
Body Material (Std)	Brass C37700 (UNS Designation)
Orifice Material	Stainless Steel AISI 303 (1.4305 EN 10088)
Flange Tube (seamless)	Stainless Steel AISI 303 (1.4305 EN 10088)
Plunger	Stainless Steel AISI 430F (1.4106 EN 10088)
Top Stop	Stainless Steel AISI 430F (1.4105 EN 10088)
Springs	Stainless Steel AISI 302
Seal Material (Std)	Ruby
Connection Type (Std)	G parallel thread (ISO 228-1)
Shading Ring	Copper
Electrical Characteristics <sup>1</sup>	
High Power Coil Voltage DC (=)	24 V
High Power Coil Voltage AC 50 Hz (-)	24 V, 110 V, 230 V
High Power Coil Voltage AC 60 Hz (-)	24 V, 120 V, 240 V
Voltage Tolerance	+10% to -15% (AC)
	+10% to -5% (DC)
Duty Cycle	100% ED
Enclosure classification	NEMA type 4 (UL 50) and IP65 (EN 60529) with plug and gasket correctly fitted *
Electrical Connection	to EN 175301 - 803 - A (ex DIN 43650)
Coil Insulation Class	180 (H) to EN 60730-1
Power Rating (High Power)	AC 25 VA (holding) AC 50 VA (inrush) DC 22 W

<sup>1</sup> High power coils are not UL approved.

### Features and Benefits

- Direct Acting
- Robust construction for industrial applications
- Zero pressure rated
- Stainless steel AISI 430F operators with low residual magnetism
- Coils tested 100% in compliance to RoHS directive and to relevant international standards
- High quality seal materials
- Response time 5 to 25 ms



Pipe Size	Cv <sup>2</sup> (gpm)	Kv <sup>2</sup> (m <sup>3</sup> /h)	OPD psi (bar) <sup>3</sup>		Orifice inches (mm)	Seal Material	Valve Code
			AC Voltages	DC Voltages			
¼"	0.04	0.03	0 - 2610 (0 - 180)	0 - 2610 (0 - 180)	⅜ (1.0)	RUBY	RD236DRA1
¼"	0.09	0.08	0 - 2175 (0 - 150)	0 - 2175 (0 - 150)	⅜ (1.5)	RUBY	RD236DR C1
¼"	0.14	0.12	0 - 870 (0 - 60)	0 - 870 (0 - 60)	⅜ (2.0)	RUBY	RD236DRE1
¼"	0.20	0.17	0 - 536 (0 - 37)	0 - 536 (0 - 37)	⅜ (2.5)	RUBY	RD236DRG1
¼"	0.25	0.21	0 - 406 (0 - 28)	0 - 406 (0 - 28)	⅜ (3.0)	RUBY	RD236DRH1

<sup>2</sup> Not 100% leak-proof when used with air/gases. Approx leak rate is 1.5ml/min at max OPD.

<sup>3</sup> When high pressure valves are supplied without a coil, their nameplates display the max OPD of the valve when equipped with an AC (25VA) and DC (22W) coil. If fitting coils with a different power rating OPD will vary, please consult supplier for more details. The valve supplied carries a nameplate with pressure ratings marked in bar.

### Options Available

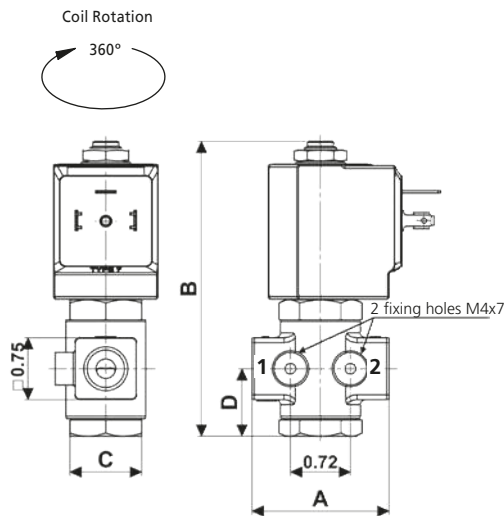
Valve Options (see coding chart)
Coils with additional protection by impregnation with Loctite® Resinol RTC for humid environments

Seal Material <sup>4</sup> and Media Temperature Range	Media	Ambient Temperature Range	
		Min	Max
RUBY 14 °F to 266 °F (-10 °C to +130 °C)	Water, oil, air, aggressive fluids	14 °F (-10 °C)	122 °F (+50 °C)

<sup>4</sup> See corrosion reference guide and sealing solutions for material compatibility.

# RD236 Series (USA)

High Pressure – 2/2 Normally Open



Preferred Valve Mounting Options



Pipe Size	A	B	C	D	Weight Lb (kg)
¼" G	1.85 (47)	2.58 (91)	HEX 22 (22)	0.82 (20.75)	0.55 (0.25)

Dimensions inches (mm)

## Solenoid enclosures

### 7-K1 & 7-Z1 Type Coil - Insulation class H

External material: PPS (fibreglass & mineral filled)  
 Electrical connection: DIN EN 175301-803 form A  
 Winding insulation: Class H (E180)  
 Enclosure classification: Conforms to IP65 (according to EN 60529) with plug and gasket correctly fitted\*



### Type 600 011- Plug

Rated Voltage (max.): 250 VAC / 300 VDC  
 Nominal Current: 10A (rated) / 16A (max)  
 Wire cross-section: 0.0023 inch<sup>2</sup> max (1.5 mm<sup>2</sup> max)  
 Cable Entry: PG9 (0.24 to 0.31 inch / 6 to 8 mm)  
 Enclosure classification: Conforms to IP65 (according to EN 60529) with supplied gasket  
 Insulation class: group C- VDE 0110  
 Housing colour: black  
 UL approved, file No: E205538



\* Plug and gasket not supplied as standard, must be ordered separately.

## Coding chart

### Main Valve Assembly

Orifice	
A	3/64
C	1/16
E	5/64
G	3/32
H	1/8

### Coil options

Voltage / Frequency - Class H, High Power	
72Z1	24 VDC
72K1	24 V / 50/60 Hz
74K1	110 V / 50 Hz - 120 V / 60 Hz
77K1	230 V / 50 Hz - 240 V / 60 Hz
Voltage / Frequency - Class H, High Power, Impregnated	
D2Z1	24 VDC
D2K1	24 V / 50/60 Hz
D4K1	110 V / 50 Hz - 120 V / 60 Hz
D7K1	230 V / 50 Hz - 240 V / 60 Hz

### Plug

Plug	
0A1	c/w plug
	w/o plug

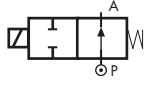
RD	2	3	6	D	R	•	1	•	•	•	•	•	•	•	•	•	•
----	---	---	---	---	---	---	---	---	---	---	---	---	---	---	---	---	---

### Product coding example:

RD236DRC1 72K1  
 ¼" G, auto operation, brass body, RUBY seals, 1/16 orifice, 24 V / 50/60 Hz, without plug.

# RD201 Series

## High Pressure – 2/2 Normally Open

Specifications	
Function (single acting)	 <p>Flow direction overseat 1 → 2</p>
Maximum Viscosity	Max. 21cST (3 °E)
Body Material (Std)	Brass CW617N (EN 12165)
Orifice Material	Stainless Steel 1.4305 EN 10088 (AISI 303)
Flange	Stainless Steel 1.4305 EN 10088 (AISI 303)
Tube	Stainless Steel AISI 304
Plunger	Stainless Steel 1.4106 EN 10088 (AISI 430F)
Top Stop	Stainless Steel 1.4105 EN 10088 (AISI 430F)
Springs	Stainless Steel AISI 302
Seal Material (Std)	Ruby
Connection Type (Std)	Flanged 32x32mm
Shading Ring	Copper
Electrical Characteristics	
Standard Coil Voltage DC (-)	24 V
Standard Coil Voltage AC 50 Hz (-)	24 V, 110 V, 200 V, 230 V
Standard Coil Voltage AC 60 Hz (-)	24 V, 120 V, 220 V, 240 V
Voltage Tolerance	+10% to -15% (AC)
	+10% to -5% (DC)
Duty Cycle	100% ED
Protection Class	IP65 (EN 60529) with plug and gasket correctly fitted *
Electrical Connection	to EN 175301 - 803 - A (ex DIN 43650)
Coil Insulation	Class H 180 °C
Power Rating (Standard)	AC 18 VA (holding) AC 36 VA (inrush) DC 14 W

### Features and Benefits

- Direct Acting
- Robust construction for industrial applications
- Zero pressure rated
- Stainless steel AISI 430F operators with low residual magnetism
- Manufactured in compliance to RoHS directive and to relevant international standards
- High quality seal materials
- Response time 5 to 25 ms



Pipe Size	Cv (gpm)	Kv (m³/h)	OPD (bar)		Orifice (mm)	Seal Material	Valve Code
			AC Voltages	DC Voltages			
Flanged	0.09	0.08	0 - 55	0 - 55	1.5	Ruby	RD201DRC
Flanged	0.24	0.20	0 - 25	0 - 25	2.0	Ruby	RD201DRE
Flanged	0.32	0.27	0 - 10	0 - 10	3.0	Ruby	RD201DRH

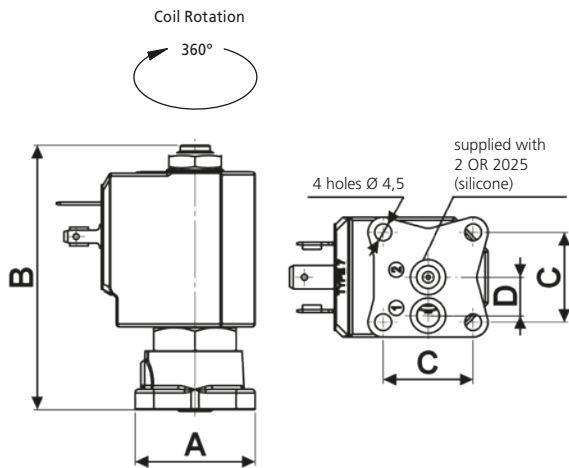
NOTE: Not 100% leak-proof when used with air/gases. Approx leak rate is 1.5ml/min at max OPD.

Seal Material <sup>1</sup> and Media Temperature Range	Media	Ambient Temperature Range	
		Min	Max
RUBY (-10 °C to +130 °C)	Water, oil, liquids	-10 °C	+50 °C

<sup>1</sup> See corrosion reference guide and sealing solutions for material compatibility.

# RD201 Series

## High Pressure – 2/2 Normally Open



### Preferred Valve Mounting Options



Pipe Size	A	B	C	D	Weight (kg)
Flanged	32	68.4	24	10.25	0.3

Dimensions (mm)

### Solenoid enclosures

#### 7--1 Type Coil - Insulation class H

External material: PPS (fibreglass & mineral filled)  
 Electrical connection: DIN EN 175301-803 form A  
 Winding insulation: Class H (E180)  
 Enclosure classification: Conforms to IP65 (according to EN 60529) with plug and gasket correctly fitted\*



\* Plug and gasket not supplied as standard, must be ordered separately.

#### Type 600 011- Plug

Rated Voltage (max.): 250 VAC / 300 VDC  
 Nominal Current: 10A (rated) / 16A (max)  
 Wire cross-section: 1.5 mm<sup>2</sup> max  
 Cable Entry: PG9 (6 to 8 mm)  
 Enclosure classification: Conforms to IP65 (according to EN 60529) with supplied gasket  
 Insulation class: group C- VDE 0110  
 Housing colour: black  
 UL approved, file No: E205538



### Coding chart

#### Main Valve Assembly

#### Coil options

#### Plug

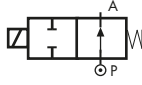
Main Valve Assembly						Orifice		Option		Voltage / Frequency - Class H				Plug		
RD	2	0	1	D	R	C	E	H	w/o option	7251	7201	7401	7601	7701	w/o plug	0A1
RD	2	0	1	D	R	•	•	•	•	•	•	•	•	•	•	•

### Product coding example:

RD201DRC 7201  
 Flanged connection, auto operation, brass body, RUBY seals, 1.5 mm orifice, 24 V / 50 Hz/60 Hz, without plug.

# RD201 Series (USA)

## High Pressure – 2/2 Normally Open

Specifications	
Function (single acting)	 <p>Flow direction overseat 1 → 2</p>
Maximum Viscosity	Max. 21cST (3 °E)
Body Material (Std)	Brass C37700 (UNS Designation)
Orifice Material	Stainless Steel AISI 303 (1.4305 EN 10088)
Flange	Stainless Steel AISI 303 (1.4305 EN 10088)
Tube	Stainless Steel AISI 304
Plunger	Stainless Steel AISI 430F (1.4106 EN 10088)
Top Stop	Stainless Steel AISI 430F (1.4105 EN 10088)
Springs	Stainless Steel AISI 302
Seal Material (Std)	Ruby
Connection Type (Std)	Flanged 1.26x1.26 inches
Shading Ring	Copper
Electrical Characteristics <sup>1</sup>	
Standard Coil Voltage DC (=)	24 V
Standard Coil Voltage AC 50 Hz (-)	24 V, 110 V, 200 V, 230 V
Standard Coil Voltage AC 60 Hz (-)	24 V, 120 V, 220 V, 240 V
Voltage Tolerance	+10% to -15% (AC)
	+10% to -5% (DC)
Duty Cycle	100% ED
Enclosure Classification	NEMA type 4 (UL 50) and IP65 (EN 60529) with plug and gasket correctly fitted *
Electrical Connection	to EN 175301 - 803 - A (ex DIN 43650)
Coil Insulation Class	180 (H) to EN 60730-1
Power Rating (Standard)	AC 18 VA (holding) AC 36 VA (inrush) DC 14 W

<sup>1</sup> These coils are not UL approved.

### Features and Benefits

- Direct Acting
- Robust construction for industrial applications
- Zero pressure rated
- Stainless steel AISI 430F operators with low residual magnetism
- Coils tested 100% in compliance to RoHS directive and to relevant international standards
- High quality seal materials
- Response time 5 to 25 ms



Pipe Size	Cv <sup>3</sup> (gpm)	Kv <sup>3</sup> (m <sup>3</sup> /h)	OPD psi (bar) <sup>4</sup>		Orifice inches (mm)	Seal Material	Valve Code
			AC Voltages	DC Voltages			
Flanged	0.09	0.08	0 - 797 (0 - 55)	0 - 797 (0 - 55)	1/16 (1.5)	Ruby	RD201DRC
Flanged	0.24	0.20	0 - 362 (0 - 25)	0 - 362 (0 - 25)	5/64 (2.0)	Ruby	RD201DRE
Flanged	0.32	0.27	0 - 145 (0 - 10)	0 - 145 (0 - 10)	1/8 (3.0)	Ruby	RD201DRH

<sup>3</sup> Not 100% leak-proof when used with air/gases. Approx leak rate is 1.5ml/min at max OPD.

<sup>4</sup> The valve supplied carry a nameplate with pressure ratings marked in bar.

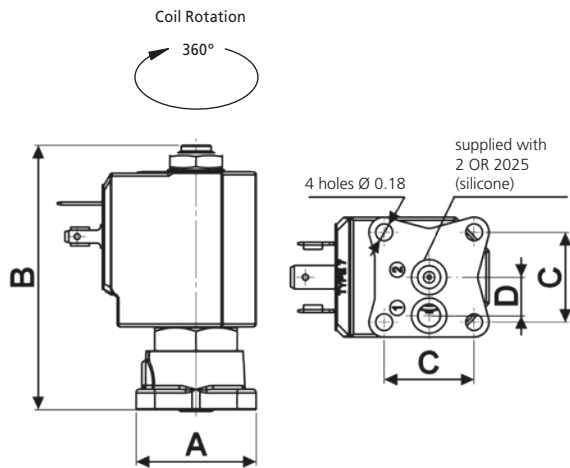
### Options Available

Seal Material <sup>5</sup> and media temperature range	Media	Ambient Temperature Range	
		Min	Max
RUBY 14 °F to 266 °F (-10 °C to +130 °C)	water, oil, liquids	14 °F (-10 °C)	122 °F (+50 °C)

<sup>5</sup> See corrosion reference guide and sealing solutions for material compatibility.

# RD201 Series (USA)

High Pressure – 2/2 Normally Open



Preferred Valve Mounting Options



Pipe Size	A	B	C	D	Weight Lb (kg)
Flanged	1.26 (32)	2.69 (68.4)	0.94 (24)	0.40 (10.25)	0.66 (0.3)

Dimensions inches (mm)

## Solenoid enclosures

### 7--1 Type Coil - Insulation class H

External material: PPS (fibreglass & mineral filled)  
 Electrical connection: DIN EN 175301-803 form A  
 Winding insulation: Class H (E180)  
 Enclosure classification: Conforms to NEMA type 4 (UL 50) and IP65 (according to EN 60529) with plug and gasket correctly fitted\*



\* Plug and gasket not supplied as standard, must be ordered separately.

### Type 600 011- Plug

Rated Voltage (max.): 250 VAC / 300 VDC  
 Nominal Current: 10A (rated) / 16A (max)  
 Wire cross-section: 0.0023 inch<sup>2</sup> max (1.5 mm<sup>2</sup> max)  
 Cable Entry: PG9 (0.24 to 0.31 inch / 6 to 8 mm)  
 Enclosure classification: Conforms to IP65 (according to EN 60529) with supplied gasket  
 Insulation class: group C- VDE 0110  
 Housing colour: black  
 UL approved, file No: E205538



## Coding chart

### Main Valve Assembly

Orifice	Option
C 1/16	w/o option
E 5/64	
H 1/8	

### Coil options

Voltage / Frequency - Class H	
7251	24 VDC
7201	24 V / 50/60 Hz
7401	110 V / 50 Hz - 120 V / 60 Hz
7601	200 V / 50 Hz - 220 V / 60 Hz
7701	230 V / 50 Hz - 240 V / 60 Hz

### Plug

Plug	
	w/o plug
0A1	c/w plug

RD	2	0	1	D	R	.	.	.	.	.	.	.	.	.	.
----	---	---	---	---	---	---	---	---	---	---	---	---	---	---	---

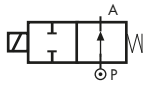
## Product coding example:

RD201DRC 7201  
 Flanged connection, auto operation, brass body, RUBY seals, 1/16 orifice, 24 V / 50 Hz/60 Hz, without plug.



# RB214 Series

## Compressed Air – 2/2 Normally Open

Specifications	
Function (single acting)	
Maximum Viscosity	Max. 21cST (3 °E)
Body Material (Std)	Brass CW614N (EN 12164)
Tube	Stainless Steel AISI 304
Flange	Stainless Steel 1.4305 EN 10088 (AISI 303)
Plunger	Stainless Steel 1.4105 EN 10088 (AISI 430F) or equivalent
Top Stop	Stainless Steel 1.4105 EN 10088 (AISI 430F)
Springs	Stainless Steel AISI 302
Seal Material (Std)	Foodgrade FKM
Connection Type (Std)	G parallel thread (ISO 228-1)
Shading Ring	Copper
Electrical Characteristics	
Standard Coil Voltage DC (=)	24 V
Standard Coil Voltage AC 50 Hz (-)	24 V, 110 V, 200 V, 230 V
Standard Coil Voltage AC 60 Hz (-)	24 V, 120 V, 220 V, 240 V
Voltage Tolerance	+10% to -15% (AC)
	+10% to -5% (DC)
Duty Cycle	100% ED
Protection Class	IP65 (EN 60529) with plug and gasket correctly fitted *
Electrical Connection	to industrial form B
Coil Insulation	Class F 155 °C
Power Rating (Standard)	AC 10 VA (holding) AC 16 VA (inrush) DC 7 W

### Features and Benefits

- Direct Acting
- Robust construction for industrial applications
- Zero pressure rated
- Stainless steel AISI 430F operators with low residual magnetism
- Manufactured in compliance to RoHS directive and to relevant international standards
- High quality seal materials
- Response time 5 to 25 ms



### Valve manufactured in conformity of all regulation and law CE:

- EC 1935/2004
- EC 2023/2006
- EC 10/2011 and all subsequent amended and integration
- For metal alloy different from stainless steel included superficial treatment in absence of specific national or international rule the conformity is evaluated following clause 3 of regulation EC 1935/2004 using resolution of European council as guide: Metal and Alloys used in food contact 1<sup>st</sup> edition 2013
- Italian law: D.M. 174 06/04/2004 drinkable water
- Italian law: D.M. 21/03/1973 and all subsequent amended and integration

Pipe Size	Cv (gpm)	Kv (m <sup>3</sup> /h)	OPD (bar)		Orifice (mm)	Seal Material	Valve Code
			AC Voltages	DC Voltages			
1/8"	0.08	0.07	0 - 14	0 - 14	1.7	FKM EPDM	RB214CVD RB214CED

### Options Available

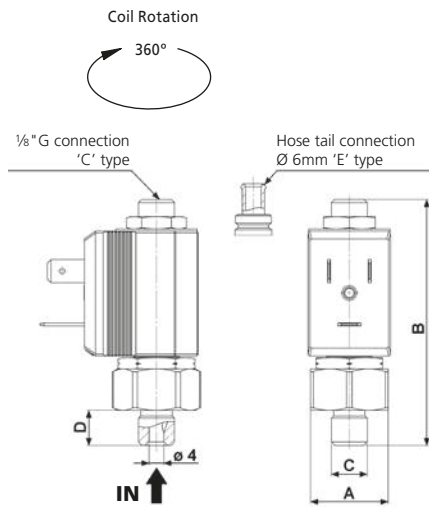
Valve Options (see coding chart)
Top port connection with hose tail Ø 6 mm

Seal Material <sup>1</sup> and Media Temperature Range	Media	Ambient Temperature Range	
		Min	Max
FKM (-10 °C to +130 °C)	Water, oil, air	-10 °C	+50 °C
EPDM (-10 °C to +120 °C)	Water, hot water	-10 °C	+50 °C

<sup>1</sup> See corrosion reference guide and sealing solutions for material compatibility.

# RB214 Series

## Compressed Air – 2/2 Normally Open



Preferred Valve Mounting Options



Pipe Size	A	B	C	D	Weight (kg)
1/8"	21	72.1	1/8"	9.5	0.06

Dimensions (mm)

### Solenoid enclosures

#### 2--0 Type Coil - Insulation class F

External material: PBT (reinforced fibreglass 30%)  
 Electrical connection: Industrial form B  
 Winding insulation: Class H (E180)  
 Enclosure classification: Conforms to IP65 (according to EN 60529) with plug and gasket correctly fitted\*



#### Type 600 001- Plug

Rated Voltage (max.): 250 VAC / 300 VDC  
 Nominal Current: 10A (rated) / 16A (max)  
 Wire cross-section: 1.5 mm<sup>2</sup> max  
 Cable Entry: PG9 (6 to 8 mm)  
 Enclosure classification: Conforms to IP65 (according to EN 60529) with supplied gasket  
 Insulation class: group C- VDE 0110  
 Housing colour: black  
 UL approved, file No: E205538



\* Plug and gasket not supplied as standard, must be ordered separately.

### Coding chart

#### Main Valve Assembly

#### Coil options

#### Plug

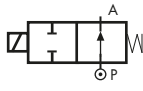




Main Valve Assembly							Coil options				Plug		
Top Port Connection		Seals		Option		Voltage / Frequency - Class F				Plug			
C	1/8" G	V	FKM	w/o option		2250	24 VDC			081	c/w plug		
E	Hose tail Ø 6mm	E	EPDM			2200	24 V / 50/60 Hz			w/o plug			
						2400	110 V / 50 Hz - 120 V / 60 Hz						
						2600	200 V / 50 Hz - 220 V / 60 Hz						
						2700	230 V / 50 Hz - 240 V / 60 Hz						
RB	2	1	4	.	.	D	.	.	.	.	.	.	

### Product coding example:

RB214CVD 2250  
 1/8" G, auto operation, brass body, FKM seals, 1.7 mm orifice, 24 VDC, without plug.

# RB214 Series (USA)

## Compressed Air – 2/2 Normally Open

Specifications	
Function (single acting)	
Maximum Viscosity	Max. 21cST (3 °E)
Body Material (Std)	Brass C37700 (UNS Designation)
Tube	Stainless Steel AISI 304
Flange	Stainless Steel AISI 303 (1.4305 EN 10088)
Plunger	Stainless Steel AISI 430F or equivalent
Top Stop	Stainless Steel AISI 430F (1.4105 EN 10088)
Springs	Stainless Steel AISI 302
Seal Material (Std)	Foodgrade FKM
Connection Type (Std)	G parallel thread (ISO 228-1)
Shading Ring	Copper
Electrical Characteristics	
 Coil Voltage DC (-)	24 V
 Coil Voltage AC 50 Hz (-)	24 V, 110 V, 230 V
 Coil Voltage AC 60 Hz (-)	120 V, 240 V
Voltage Tolerance	+10% to -15% (AC)
	+10% to -5% (DC)
Duty Cycle	100% ED
Enclosure Classification	NEMA type 4 (UL 50) and IP65 (EN 60529) with plug and gasket correctly fitted *
Electrical Connection	to industrial form B
Coil Insulation Class	155 (F) to UL429 and to EN 60730-1
Power Rating  Coils	AC 9 VA (holding) AC 14 VA (inrush) DC 6W

### Features and Benefits

- Direct Acting
- Robust construction for industrial applications
- Zero pressure rated
- Stainless steel AISI 430F operators with low residual magnetism
- High quality seal materials
- Response time 5 to 25 ms



Pipe Size	Cv (gpm)	Kv (m³/h)	OPD psi (bar) <sup>2</sup>		Orifice inches (mm)	Seal Material	Valve Code
			AC Voltages	DC Voltages			
1/8" G	0.08	0.07	0 - 203 (0 - 14)	0 - 203 (0 - 14)	1/16 (1.7)	FKM EPDM	RB214CVD RB214CED

<sup>2</sup> The valve supplied without coil carry a nameplate with pressure ratings marked in bar.

### Options Available

Valve Options (see coding chart)
Top port connection with hose tail Ø 0.24 inches (6mm)
CE coils, power DC 7W - AC 10 VA <sup>1</sup>

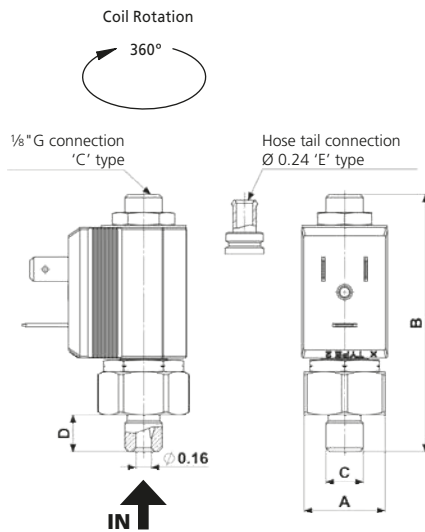
<sup>1</sup> Pressure ratings of valves fitted with CE coils may be higher than with UL coils (coils specifications on [Page 303](#)).

Seal Material <sup>3</sup> and Media Temperature Range	Media	Ambient Temperature Range	
		Min	Max
FKM 14 °F to 266 °F (-10 °C to +130 °C)	Water, oil, air	14 °F (-10 °C)	122 °F (+50 °C)
EPDM 14 °F to 248 °F (-10 °C to +120 °C)	Water, hot water	14 °F (-10 °C)	122 °F (+50 °C)

<sup>3</sup> See corrosion reference guide and sealing solutions for material compatibility.

# RB214 Series (USA)

Compressed Air – 2/2 Normally Open



Preferred Valve Mounting Options



Pipe Size	A	B	C	D	Weight Lb (kg)
1/8" G	0.83 (21)	2.84(72.1)	1/8" G	0.37 (9.5)	0.13 (0.06)

Dimensions inches (mm)

## Solenoid enclosures

2--R c us Type Coil - Insulation class F

- External material: PET 815ER Rynite®
- Electrical connection: Industrial form B
- Winding insulation: Class H (P180)
- Enclosure classification: Conforms to NEMA type 4 (UL 50) and IP65 (according to EN 60529) with plug and gasket correctly fitted\*
- UL approved, file No: E193928



## Type 600 001- Plug

- Rated Voltage (max.): 250 VAC / 300 VDC
- Nominal Current: 10A (rated) / 16A (max)
- Wire cross-section: 0.0023 inch<sup>2</sup> max (1.5 mm<sup>2</sup> max)
- Cable Entry: PG9 (0.24 to 0.31 inch / 6 to 8 mm)
- Enclosure classification: Conforms to IP65 (according to EN 60529) with supplied gasket
- Insulation class: group C- VDE 0110
- Housing colour: black
- UL approved, file No: E205538



\* Plug and gasket not supplied as standard, must be ordered separately.

## Coding chart

### Main Valve Assembly

Top port connection		Seals	
C	1/8" G	V	FKM
E	Hose tail Ø 6mm	E	EPDM

Option
w/o option

### Coil options

Voltage / Frequency - c  us Type, Class F	
225R	24 VDC
220R	24 V / 50 Hz
240R	110 V / 50 Hz - 120 V / 60 Hz
270R	230 V / 50 Hz - 240 V / 60 Hz

Voltage / Frequency - CE Type, Class F	
2250	24 VDC
2200	24 V / 50/60 Hz
2400	110 V / 50 Hz - 120 V / 60 Hz
2600	200 V / 50 Hz - 220 V / 60 Hz
2700	230 V / 50 Hz - 240 V / 60 Hz

### Plug

Plug	
0B1	c/w plug
	w/o plug

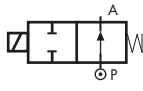
RB	2	1	4	•	•	D	•	•	•	•	•	•	•	•	•
----	---	---	---	---	---	---	---	---	---	---	---	---	---	---	---

## Product coding example:

RB214CVD 225R  
1/8" G, auto operation, brass body, FKM seals, 1/16 orifice, 24 VDC, without plug.

# RD213 Series

## Compressed Air – 2/2 Normally Open

Specifications	
Function (single acting)	
Maximum Viscosity	Max. 21cST (3 °E)
Body Material (Std)	Brass CW614N (EN 12164)
Tube	Stainless Steel AISI 304
Flange	Stainless Steel 1.4305 EN 10088 (AISI 303)
Plunger	Stainless Steel 1.4106 EN 10088 (AISI 430F)
Top Stop	Stainless Steel 1.4105 EN 10088 (AISI 430F)
Springs	Stainless Steel AISI 302
Seal Material (Std)	Foodgrade FKM
Connection Type (Std)	G parallel thread (ISO 228-1)
Shading Ring	Copper
Electrical Characteristics	
Standard Coil Voltage DC (=)	24 V
Standard Coil Voltage AC 50 Hz (-)	24 V, 110 V, 200 V, 230 V
Standard Coil Voltage AC 60 Hz (-)	24 V, 120 V, 220 V, 240 V
Voltage Tolerance	+10% to -15% (AC)
	+10% to -5% (DC)
Duty Cycle	100% ED
Protection Class	IP65 (EN 60529) with plug and gasket correctly fitted *
Electrical Connection	to EN 175301 - 803 - A (ex DIN 43650)
Coil Insulation	Class F 155 °C
Power Rating (Standard)	AC 18 VA (holding) AC 36 VA (inrush) DC 14 W

### Features and Benefits

- Direct Acting
- Robust construction for industrial applications
- Zero pressure rated
- Stainless steel AISI 430F operators with low residual magnetism
- Manufactured in compliance to RoHS directive and to relevant international standards
- Choice of high quality seal materials
- Response time 5 to 25 ms



Pipe Size	Cv (gpm)	Kv (m³/h)	OPD (bar)		Orifice (mm)	Seal Material	Valve Code
			AC Voltages	DC Voltages			
1/8"	0.17	0.14	0 - 16	0 - 16	2.5	FKM EPDM	RD213CUG RD213CEG

### Options Available

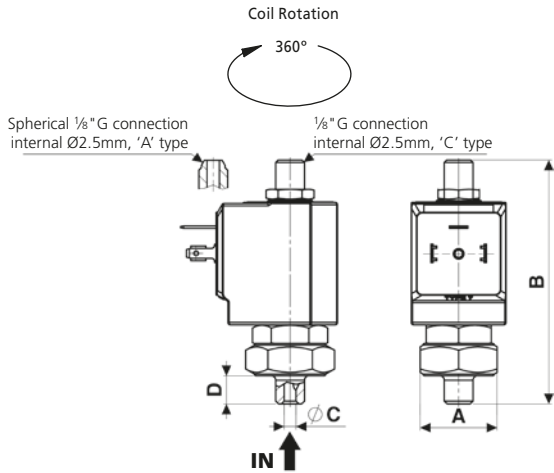
Valve Options (see coding chart)
Top port connection with spherical 1/8" G

Seal Material <sup>1</sup> and Media Temperature Range	Media	Ambient Temperature Range	
		Min	Max
FKM (-10 °C to +130 °C)	Water, oil, air	-10 °C	+50 °C
EPDM (-10 °C to +120 °C)	Water, hot water	-10 °C	+50 °C

<sup>1</sup> See corrosion reference guide and sealing solutions for material compatibility.

# RD213 Series

## Compressed Air – 2/2 Normally Open



Preferred Valve Mounting Options



Pipe Size	A	B	C	D	Weight (kg)
1/8"	Hex 26	82.5	4	9.5	0.1

Dimensions (mm)

### Solenoid enclosures

#### 7--0 Type Coil - Insulation class F

External material: PBT (reinforced fibreglass 30%)  
 Electrical connection: DIN EN 175301-803 form A  
 Winding insulation: Class H (E180)  
 Enclosure classification: Conforms to IP65 (according to EN 60529) with plug and gasket correctly fitted\*



#### Type 600 011- Plug

Rated Voltage (max.): 250 VAC / 300 VDC  
 Nominal Current: 10A (rated) / 16A (max)  
 Wire cross-section: 1.5 mm<sup>2</sup> max  
 Cable Entry: PG9 (6 to 8 mm)  
 Enclosure classification: Conforms to IP65 (according to EN 60529) with supplied gasket  
 Insulation class: group C- VDE 0110  
 Housing colour: black  
 UL approved, file No: E205538



\* Plug and gasket not supplied as standard, must be ordered separately.

### Coding chart

#### Main Valve Assembly

Top Port Connection		Seals	
C	1/8" G	V	FKM
A	Spherical 1/8" G	E	EPDM

Option
w/o option

#### Coil options

Voltage / Frequency - Class F	
7250	24 VDC
7200	24 V / 50/60 Hz
7400	110 V / 50 Hz - 120 V / 60 Hz
7600	200 V / 50 Hz - 220 V / 60 Hz
7700	230 V / 50 Hz - 240 V / 60 Hz

#### Plug

Plug	
0A1	c/w plug
	w/o plug

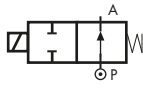




RD	2	1	3	.	.	G	.	.	.	.	.	.	.	.	.
----	---	---	---	---	---	---	---	---	---	---	---	---	---	---	---

### Product coding example:

RD213CVG 7700 0A1  
 1/8" G, auto operation, brass body, FKM seals, 2.5 mm orifice, 230 V / 50 Hz - 240 V / 60 Hz AC, with plug.

# RD213 Series (USA)

## Compressed Air – 2/2 Normally Open

Specifications	
Function (single acting)	
Maximum Viscosity	Max. 21cST (3 °E)
Body Material (Std)	Brass C37700 (UNS Designation)
Tube	Stainless Steel AISI 304
Flange	Stainless Steel AISI 303 (1.4305 EN 10088)
Plunger	Stainless Steel AISI 430F (1.4106 EN 10088)
Top Stop	Stainless Steel AISI 430F (1.4105 EN 10088)
Springs	Stainless Steel AISI 302
Seal Material (Std)	Foodgrade FKM
Connection Type (Std)	G parallel thread (ISO 228-1)
Shading Ring	Copper
Electrical Characteristics	
 Coil Voltage DC (-)	24 V
 Coil Voltage AC 50 Hz (-)	24 V, 110 V, 230 V
 Coil Voltage AC 60 Hz (-)	120 V, 240 V
Voltage Tolerance	+10% to -15% (AC)
	+10% to -5% (DC)
Duty Cycle	100% ED
Enclosure Classification	NEMA type 4 (UL 50) and IP65 (EN 60529) with plug and gasket correctly fitted *
Electrical Connection	to EN 175301 - 803 - A (ex DIN 43650)
Coil Insulation Class	155 (F) to UL429 and to EN 60730-1
Power Rating  Coils	AC 15 VA (holding) AC 30 VA (inrush) DC 10 W

### Features and Benefits

- Direct Acting
- Robust construction for industrial applications
- Zero pressure rated
- Stainless steel AISI 430F operators with low residual magnetism
- Choice of high quality seal materials
- Response time 5 to 25 ms



Pipe Size	Cv (gpm)	Kv (m³/h)	OPD psi (bar) <sup>1</sup>		Orifice inches (mm)	Seal Material	Valve Code
			AC Voltages	DC Voltages			
1/8" G	0.17	0.14	0 - 232 (0 - 16)	0 - 232 (0 - 16)	3/32 (2.5)	FKM EPDM	RD213CUG RD213CEG

<sup>1</sup> The valve supplied without coil carry a nameplate with pressure ratings marked in bar.

### Options Available

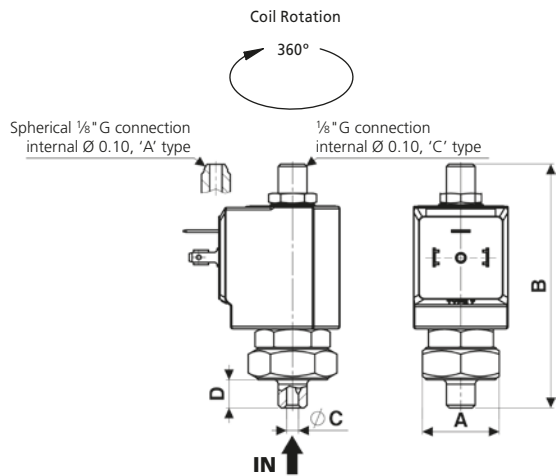
Valve Options (see coding chart)
Top port connection with spherical 1/8" G
CE coils, power DC 14W - AC 18 VA

Seal Material <sup>2</sup> and Media Temperature Range	Media	Ambient Temperature Range	
		Min	Max
FKM 14 °F to 266 °F (-10 °C to +130 °C)	Water, oil, air	14 °F (-10 °C)	122 °F (+50 °C)
EPDM 14 °F to 248 °F (-10 °C to +120 °C)	Water, hot water	14 °F (-10 °C)	122 °F (+50 °C)

<sup>2</sup> See corrosion reference guide and sealing solutions for material compatibility.

# RD213 Series (USA)

## Compressed Air – 2/2 Normally Open



Preferred Valve Mounting Options



Pipe Size	A	B	C	D	Weight Lb (kg)
1/8" G	HEX 26 (26)	3.25 (82.5)	0.16 (4)	0.37 (9.5)	0.22 (0.1)

Dimensions inches (mm)

### Solenoid enclosures

#### 7--R cULus Type Coil - Insulation class F

- External material: PET 815ER Rynite®
- Electrical connection: DIN EN 175301-803 form A
- Winding insulation: Class H (P180)
- Enclosure classification: Conforms to NEMA type 4 (UL 50) and IP65 (according to EN 60529) with plug and gasket correctly fitted\*
- UL approved, file No: E193928



#### Type 600 011- Plug

- Rated Voltage (max.): 250 VAC / 300 VDC
- Nominal Current: 10A (rated) / 16A (max)
- Wire cross-section: 0.0023 inch<sup>2</sup> max (1.5 mm<sup>2</sup> max)
- Cable Entry: PG9 (0.24 to 0.31 inch / 6 to 8 mm)
- Enclosure classification: Conforms to IP65 (according to EN 60529) with supplied gasket
- Insulation class: group C- VDE 0110
- Housing colour: black
- UL approved, file No: E205538



\* Plug and gasket not supplied as standard, must be ordered separately.

### Coding chart

#### Main Valve Assembly

Top port connection		Seals	
C	1/8" G	V	FKM
A	Spherical 1/8" G	E	EPDM

Option
w/o option

#### Coil options

Voltage / Frequency - cULus Type, Class F	
725R	24 VDC
720R	24 V / 50 Hz
740R	110 V / 50 Hz - 120 V / 60 Hz
770R	230 V / 50 Hz - 240 V / 60 Hz

Voltage / Frequency - CE Type, Class F	
7250	24 VDC
7200	24 V / 50/60 Hz
7400	110 V / 50 Hz - 120 V / 60 Hz
7600	200 V / 50 Hz - 220 V / 60 Hz
7700	230 V / 50 Hz - 240 V / 60 Hz

#### Plug

Plug	
0A1	c/w plug
	w/o plug

RD	2	1	3	.	.	G	.	.	.	.	.	.	.	.	.	.	.
----	---	---	---	---	---	---	---	---	---	---	---	---	---	---	---	---	---

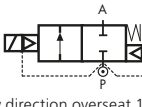
### Product coding example:

RD213CVG 770R 0A1  
1/8" G, auto operation, brass body, FKM seals, 3/32 orifice, 230 V / 50 Hz - 240 V / 60 Hz AC, with plug.



# D204/205/206/222 Series

## Aggressive Fluids, Stainless Steel – 2/2 Normally Closed

Specifications	
Function (single acting)	 <p>Flow direction overseat 1 → 2</p>
Maximum Viscosity	Max. 21cST (3 °E)
Body Material (Std)	Stainless steel AISI 316L (ASME SA351/351M GRADE CF3M)
Flange Tube (Seamless)	Stainless Steel 1.4305 EN 10088 (AISI 303)
Plunger	Stainless Steel 1.4106 EN 10088 (AISI 430F)
Top Stop	Stainless Steel 1.4105 EN 10088 (AISI 430F)
Springs	Stainless Steel AISI 302
Seal Material (Std)	FKM
Connection Type (Std)	G parallel thread (ISO 228-1)
Shading Ring	Silver
Electrical Characteristics	
Standard Coil Voltage DC (=)	24 V
Standard Coil Voltage AC 50 Hz (-)	24 V, 110 V, 200 V, 230 V
Standard Coil Voltage AC 60 Hz (-)	24 V, 120 V, 220 V, 240 V
Voltage Tolerance	+10% to -15% (AC)
	+10% to -5% (DC)
Duty Cycle	100% ED
Protection Class	IP65 (EN 60529) with plug and gasket correctly fitted *
Electrical Connection	to EN 175301 - 803 - A (ex DIN 43650)
Coil Insulation	Class F 155 °C
Power Rating (Standard)	AC 18 VA (holding) AC 36 VA (inrush) DC 14 W

### Features and Benefits

- Pilot operated
- Robust construction for industrial applications
- Stainless steel AISI 430F operators with low residual magnetism
- Manufactured in compliance to RoHS directive and to relevant international standards
- Choice of high quality seal materials
- Response time 50 to 500 ms



Pipe Size	Cv (gpm)	Kv (m³/h)	OPD (bar)		Orifice (mm)	Seal Material	Valve Code
			AC Voltages	DC Voltages			
3/8"	3.86	3.30	0.3 - 16	0.3 - 16	13	FKM NBR EPDM	D204D <sub>V</sub> ZI D204D <sub>B</sub> ZI D204D <sub>E</sub> ZI
1/2"	4.42	3.78			13	FKM NBR EPDM	D205D <sub>V</sub> ZI D205D <sub>B</sub> ZI D205D <sub>E</sub> ZI
3/4"	9.83	8.40			25	FKM NBR EPDM	D206D <sub>V</sub> YI D206D <sub>B</sub> YI D206D <sub>E</sub> YI
1"	11.23	9.60			25	FKM NBR EPDM	D222D <sub>V</sub> YI D222D <sub>B</sub> YI D222D <sub>E</sub> YI

### Options Available

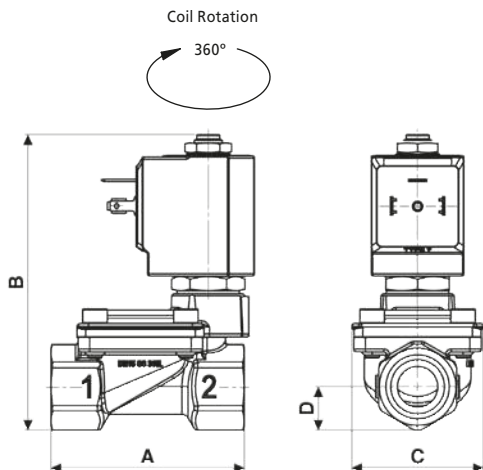
Valve Options (see coding chart)
NPT threads (minimum batch may be required)
Manual override
Anticorrosion treatment recommended with aggressive fluids

Seal Material <sup>1</sup> and Media Temperature Range	Media	Ambient Temperature Range	
		Min	Max
NBR (-10 °C to +90 °C)	Water, oil, air	-10 °C	+50 °C
FKM (-10 °C to +130 °C)	Water, oil, air, aggressive fluids	-10 °C	+50 °C
EPDM (-10 °C to +120 °C)	Water, hot water	-10 °C	+50 °C

<sup>1</sup> See corrosion reference guide and sealing solutions for material compatibility.

# D204/205/206/222 Series

Aggressive Fluids, Stainless Steel – 2/2 Normally Closed



Preferred Valve Mounting Options



Pipe Size	A	B	C	D	Weight (kg)
3/8" - 1/2"	67	102	45.6	15	0.49
3/4" - 1"	96	125	72	23	1.1

Dimensions (mm)

## Solenoid enclosures

### 7--0 Type Coil - Insulation class F

External material: PBT (reinforced fibreglass 30%)  
 Electrical connection: DIN EN 175301-803 form A  
 Winding insulation: Class H (E180)  
 Enclosure classification: Conforms to IP65 (according to EN 60529) with plug and gasket correctly fitted\*



\* Plug and gasket not supplied as standard, must be ordered separately.

### Type 600 011- Plug

Rated Voltage (max.): 250 VAC / 300 VDC  
 Nominal Current: 10A (rated) / 16A (max)  
 Wire cross-section: 1.5 mm<sup>2</sup> max  
 Cable Entry: PG9 (6 to 8 mm)  
 Enclosure classification: Conforms to IP65 (according to EN 60529) with supplied gasket  
 Insulation class: group C- VDE 0110  
 Housing colour: black  
 UL approved, file No: E205538



## Coding chart

### Main Valve Assembly

Pipe Size
04 3/8"
05 1/2"
06 3/4"
22 1"

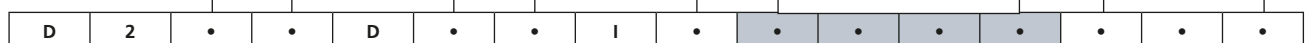
Seals		Orifice <sup>1</sup>	
V	FKM	Z	13
E	EPDM	Y	25
B	NBR		

Option
N NPT
F Anticorrosion treatment
M Manual override
w/o option

Voltage / Frequency - Class F	
7250	24 VDC
7200	24 V / 50/60 Hz
7400	110 V / 50 Hz - 120 V / 60 Hz
7600	200 V / 50 Hz - 220 V / 60 Hz
7700	230 V / 50 Hz - 240 V / 60 Hz

### Plug

Plug
w/o plug
0A1 c/w plug



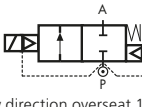




<sup>1</sup> DN13 for D204 and D205, DN25 for D206 and D222.

## Product coding example:

D204DVZI 7250  
 3/8" G, auto operation, stainless steel body, FKM seals, 13 mm orifice, 24 VDC, without plug.

# D204/205/206/222 Series (USA)

## Aggressive Fluids, Stainless Steel – 2/2 Normally Closed

Specifications	
Function (single acting)	 Flow direction overseat 1 → 2
Maximum Viscosity	Max. 21cST (3 °E)
Body Material (Std)	Stainless steel AISI 316L (ASME SA351/351M GRADE CF3M)
Flange Tube (seamless)	Stainless Steel AISI 303 (1.4305 EN 10088)
Plunger	Stainless Steel AISI 430F (1.4106 EN 10088)
Top Stop	Stainless Steel AISI 430F (1.4105 EN 10088)
Springs	Stainless Steel AISI 302
Seal Material (Std)	FKM
Connection Type	NPT
Shading Ring	Silver
Electrical Characteristics	
 Coil Voltage DC (=)	24 V
 Coil Voltage AC 50 Hz (-)	24 V, 110 V, 230 V
 Coil Voltage AC 60 Hz (-)	120 V, 240 V
Voltage Tolerance	+10% to -15% (AC)
	+10% to -5% (DC)
Duty Cycle	100% ED
Enclosure Classification	NEMA type 4 (UL 50) and IP65 (EN 60529) with plug and gasket correctly fitted *
Electrical Connection	to EN 175301 - 803 - A (ex DIN 43650)
Coil Insulation Class	155 (F) to UL429 and to EN 60730-1
Power Rating  Coils	AC 15 VA (holding) AC 30 VA (inrush) DC 10 W

### Features and Benefits

- Pilot operated
- Robust construction for industrial applications
- Stainless steel AISI 430F operators with low residual magnetism
- Choice of high quality seal materials
- Speed control screw as standard
- Response time 50 to 500 ms



Pipe Size	Cv (gpm)	Kv (m³/h)	OPD psi (bar)		Orifice inches (mm)	Seal Material	Valve Code
			AC Voltages	DC Voltages			
3/8	3.86	3.30	4 - 232 (0.3 - 16)	4 - 232 (0.3 - 16)	33/64 (13)	FKM	D204DYZIN
						NBR	D204DBZIN
EPDM	D204DEZIN						
1/2	4.42	3.78			33/64 (13)	FKM	D205DYZIN
			NBR	D205DBZIN			
EPDM	D205DEZIN						
3/4	9.83	8.40	4 - 232 (0.3 - 16)	4 - 232 (0.3 - 16)	63/64 (25)	FKM	D206DYZIN
						NBR	D206DBZIN
EPDM	D206DEZIN						
1	11.23	9.60			63/64 (25)	FKM	D222DYZIN
						NBR	D222DBZIN
EPDM	D222DEZIN						

### Options Available

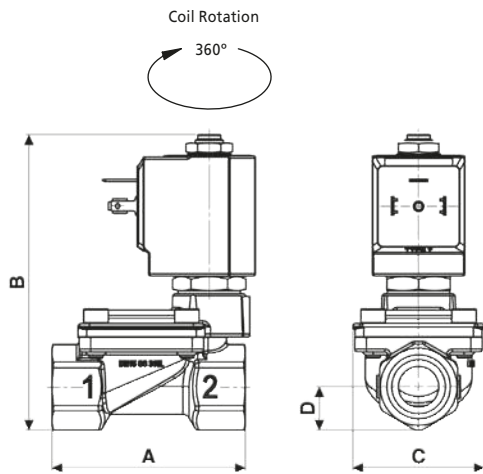
Valve Options (see coding chart)
G parallel thread (ISO 228-1)
Manual override
Anticorrosion treatment recommended with aggressive fluids
CE coils, power DC 14W - AC 18 VA
Vacuum Version
See separate datasheet

Seal Material <sup>1</sup> and Media Temperature Range	Media	Ambient Temperature Range	
		Min	Max
NBR 14 °F to 194 °F (-10 °C to +90 °C)	Water, oil, air	14 °F (-10 °C)	122 °F (+50 °C)
FKM 14 °F to 266 °F (-10 °C to +130 °C)	Water, oil, air, aggressive fluids	14 °F (-10 °C)	122 °F (+50 °C)
EPDM 14 °F to 248 °F (-10 °C to +120 °C)	Water, hot water	14 °F (-10 °C)	122 °F (+50 °C)

<sup>1</sup> See corrosion reference guide and sealing solutions for material compatibility.

# D204/205/206/222 Series (USA)

## Aggressive Fluids, Stainless Steel – 2/2 Normally Closed



Preferred Valve Mounting Options



Pipe Size	A	B	C	D	Weight Lb (kg)
3/8 - 1/2	2.64 (67)	4.02 (102)	1.80 (45.6)	0.59 (15)	1.08 (0.49)
3/4 - 1	3.78 (96)	4.92 (125)	2.83 (72)	0.91 (23)	2.43 (1.1)

Dimensions inches (mm)

### Solenoid enclosures

#### 7--R cULus Type Coil - Insulation class F

Encapsulation material: PET 815ER Rynite®  
 Electrical connection: DIN EN 175301-803 form A  
 Winding insulation: Class H (P180)  
 Enclosure classification: Conforms to NEMA type 4 (UL 50) and IP65 (according to EN 60529) with plug and gasket correctly fitted\*  
 UL approved, file No: E193928



\* Plug and gasket not supplied as standard, must be ordered separately.

#### Type 600 011- Plug

Rated Voltage (max.): 250 VAC / 300 VDC  
 Nominal Current: 10A (rated) / 16A (max)  
 Wire cross-section: 0.0023 inch<sup>2</sup> max (1.5 mm<sup>2</sup> max)  
 Cable Entry: PG9 (0.24 to 0.31 inch / 6 to 8 mm)  
 Enclosure classification: Conforms to IP65 (according to EN 60529) with supplied gasket  
 Insulation class: group C- VDE 0110  
 Housing colour: black  
 UL approved, file No: E205538



### Coding chart

#### Main Valve Assembly

Pipe Size
04 3/8
05 1/2
06 3/4
22 1

Seals		Orifice <sup>1</sup>	
V	FKM	Z	33/64
E	EPDM	Y	63/64
B	NBR		

Thread Pipe
N NPT
GAS

#### Coil options

Voltage / Frequency - cULus Type, Class F	
725R	24 VDC
720R	24 V / 50 Hz
740R	110 V / 50 Hz - 120 V / 60 Hz
770R	230 V / 50 Hz - 240 V / 60 Hz

Voltage / Frequency - CE Type, Class F	
7250	24 VDC
7200	24 V / 50/60 Hz
7400	110 V / 50 Hz - 120 V / 60 Hz
7600	200 V / 50 Hz - 220 V / 60 Hz
7700	230 V / 50 Hz - 240 V / 60 Hz

#### Plug

Plug
w/o plug
0A1 c/w plug



Contact supplier for options.

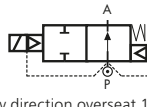
<sup>1</sup> DN 33/64 for D204 and D205, DN 63/64 for D206 and D222.

### Product coding example:

D204DVZIN 725R  
 3/8 NPT, auto operation, stainless steel body, FKM seals, 33/64 orifice, 24 VDC, without plug.

# RD204/205/206/222 Series

Aggressive Fluids, Stainless Steel – 2/2 Normally Open

Specifications	
Function (single acting)	 <p>Flow direction overseat 1 → 2</p>
Maximum Viscosity	Max. 21cST (3 °E)
Body Material (Std)	Stainless steel AISI 316L (ASME SA351/351M GRADE CF3M)
Flange Tube (Seamless)	Stainless Steel 1.4305 EN 10088 (AISI 303)
Plunger	Stainless Steel 1.4106 EN 10088 (AISI 430F)
Top Stop	Stainless Steel 1.4105 EN 10088 (AISI 430F)
Springs	Stainless Steel AISI 302
Seal Material (Std)	FKM
Connection Type (Std)	G parallel thread (ISO 228-1)
Shading Ring	Silver
Electrical Characteristics	
Standard Coil Voltage DC (=)	24 V
Standard Coil Voltage AC 50 Hz (-)	24 V, 110 V, 200 V, 230 V
Standard Coil Voltage AC 60 Hz (-)	24 V, 120 V, 220 V, 240 V
Voltage Tolerance	+10% to -15% (AC)
	+10% to -5% (DC)
Duty Cycle	100% ED
Protection Class	IP65 (EN 60529) with plug and gasket correctly fitted *
Electrical Connection	to EN 175301 - 803 - A (ex DIN 43650)
Coil Insulation	Class H 180 °C
Power Rating (Standard)	AC 18 VA (holding) AC 36 VA (inrush) DC 14 W

## Features and Benefits

- Pilot operated
- Robust construction for industrial applications
- Stainless steel AISI 430F operators with low residual magnetism
- Manufactured in compliance to RoHS directive and to relevant international standards
- Choice of high quality seal materials
- Speed control screw as standard
- Response time 50 to 500 ms



Pipe Size	Cv (gpm)	Kv (m³/h)	OPD (bar)		Orifice (mm)	Seal Material	Valve Code
			AC Voltages	DC Voltages			
3/8"	3.86	3.30	0.3 - 16	0.3 - 16	13	FKM	RD204DVZI
						NBR	RD204DBZI
1/2"	4.42	3.78	0.3 - 16	0.3 - 16	13	FKM	RD205DVZI
						NBR	RD205DBZI
3/4"	9.83	8.40	0.3 - 16	0.3 - 16	25	FKM	RD206DVZI
						NBR	RD206DBZI
1"	11.23	9.60	0.3 - 16	0.3 - 16	25	FKM	RD222DVZI
						NBR	RD222DBZI
						EPDM	RD204DEZI
						EPDM	RD205DEZI
						EPDM	RD206DEZI
						EPDM	RD222DEZI

## Options Available

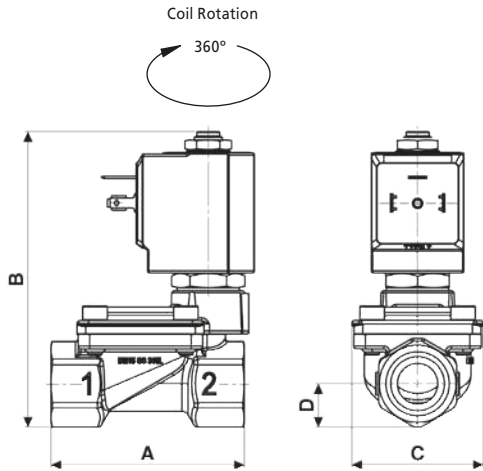
Valve Options (see coding chart)
NPT threads (minimum batch may be required)
Anticorrosion treatment recommended with aggressive fluids

Seal Material <sup>1</sup> and Media Temperature Range	Media	Ambient Temperature Range	
		Min	Max
NBR (-10 °C to +90 °C)	Water, oil, air	-10 °C	+50 °C
FKM (-10 °C to +130 °C)	Water, oil, air, aggressive fluids	-10 °C	+50 °C
EPDM (-10 °C to +120 °C)	Water, hot water	-10 °C	+50 °C

<sup>1</sup> See corrosion reference guide and sealing solutions for material compatibility.

# RD204/205/206/222 Series

Aggressive Fluids, Stainless Steel – 2/2 Normally Open



Preferred Valve Mounting Options



Pipe Size	A	B	C	D	Weight (kg)
3/8" - 1/2"	67	100	45.6	15	0.49
3/4" - 1"	96	123	72	23	1.1

Dimensions (mm)

## Solenoid enclosures

### 7--1 Type Coil - Insulation class H

External material: PPS (fibreglass & mineral filled)  
 Electrical connection: DIN EN 175301-803 form A  
 Winding insulation: Class H (E180)  
 Enclosure classification: Conforms to IP65 (according to EN 60529) with plug and gasket correctly fitted\*



\* Plug and gasket not supplied as standard, must be ordered separately.

### Type 600 011- Plug

Rated Voltage (max.): 250 VAC / 300 VDC  
 Nominal Current: 10A (rated) / 16A (max)  
 Wire cross-section: 1.5 mm<sup>2</sup> max  
 Cable Entry: PG9 (6 to 8 mm)  
 Enclosure classification: Conforms to IP65 (according to EN 60529) with supplied gasket  
 Insulation class: group C- VDE 0110  
 Housing colour: black  
 UL approved, file No: E205538



## Coding chart

### Main Valve Assembly

Pipe Size
04 3/8"
05 1/2"
06 3/4"
22 1"

Seals		Orifice <sup>1</sup>	
V	FKM	Z	13
E	EPDM	Y	25
B	NBR		

Option	
N	NPT
F	Anticorrosion treatment
	w/o option

### Coil options

Voltage / Frequency - Class H	
7251	24 VDC
7201	24 V / 50/60 Hz
7401	110 V / 50 Hz - 120 V / 60 Hz
7601	200 V / 50 Hz - 220 V / 60 Hz
7701	230 V / 50 Hz - 240 V / 60 Hz

### Plug

Plug	
	w/o plug
0A1	c/w plug

RD	2	.	.	D	.	.	I	.	.	.	.	.	.	.	.	.
----	---	---	---	---	---	---	---	---	---	---	---	---	---	---	---	---

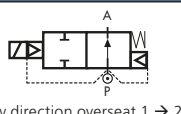
<sup>1</sup> DN13 for RD204 and RD205, DN25 for RD206 and RD222.

## Product coding example:

RD204DVZI 7251 3/8" G, auto operation, stainless steel body, FKM seals, 13 mm orifice, 24 VDC, without plug.

# RD204/205/206/222 Series (USA)

Aggressive Fluids, Stainless Steel – 2/2 Normally Open

Specifications	
Function (single acting)	 <p>Flow direction overseat 1 → 2</p>
Maximum Viscosity	Max. 21cST (3 °E)
Body Material (Std)	Stainless steel AISI 316L (ASME SA351/351M GRADE CF3M)
Flange Tube (seamless)	Stainless Steel AISI 303 (1.4305 EN 10088)
Plunger	Stainless Steel AISI 430F (1.4106 EN 10088)
Top Stop	Stainless Steel AISI 430F (1.4105 EN 10088)
Springs	Stainless Steel AISI 302
Seal Material (Std)	FKM
Connection Type	NPT
Shading Ring	Silver
Electrical Characteristics <sup>1</sup>	
Standard Coil Voltage DC (=)	24 V
Standard Coil Voltage AC 50 Hz (-)	24 V, 110 V, 200 V, 230 V
Standard Coil Voltage AC 60 Hz (-)	24 V, 120 V, 220 V, 240 V
Voltage Tolerance	+10% to -15% (AC)
	+10% to -5% (DC)
Duty Cycle	100% ED
Enclosure Classification	NEMA type 4 (UL 50) and IP65 (EN 60529) with plug and gasket correctly fitted *
Electrical Connection	to EN 175301 - 803 - A (ex DIN 43650)
Coil Insulation Class	180 (H) to EN 60730-1
Power Rating (Standard)	AC 18 VA (holding) AC 36 VA (inrush) DC 14 W

<sup>1</sup> These coils are not UL approved.

## Features and Benefits

- Pilot operated
- Robust construction for industrial applications
- Stainless steel AISI 430F operators with low residual magnetism
- Choice of high quality seal materials
- Response time 50 to 500 ms



Pipe Size	Cv (gpm)	Kv (m³/h)	OPD psi (bar)		Orifice inches (mm)	Seal Material	Valve Code
			AC Voltages	DC Voltages			
3/8	3.86	3.30	4 - 232 (0.3 - 16)	4 - 232 (0.3 - 16)	33/64 (13)	FKM	RD204DVZIN
						NBR	RD204DBZIN
1/2	4.42	3.78	4 - 232 (0.3 - 16)	4 - 232 (0.3 - 16)	33/64 (13)	FKM	RD205DVZIN
						NBR	RD205DBZIN
3/4	9.83	8.40	4 - 232 (0.3 - 16)	4 - 232 (0.3 - 16)	63/64 (25)	FKM	RD206DVZIN
						NBR	RD206DBZIN
1	11.23	9.60	4 - 232 (0.3 - 16)	4 - 232 (0.3 - 16)	63/64 (25)	FKM	RD222DVZIN
						NBR	RD222DBZIN
						EPDM	RD222DEVZIN

## Options Available

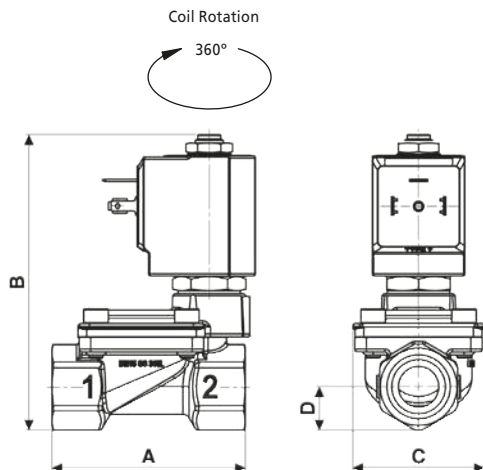
Valve Options (see coding chart)
G parallel thread (ISO 228-1)
Anticorrosion treatment recommended with aggressive fluids

Seal Material <sup>2</sup> and Media Temperature Range	Media	Ambient Temperature Range	
		Min	Max
NBR 14 °F to 194 °F (-10 °C to +90 °C)	Water, oil, air	14 °F (-10 °C)	122 °F (+50 °C)
FKM 14 °F to 266 °F (-10 °C to +130 °C)	Water, oil, air, aggressive fluids	14 °F (-10 °C)	122 °F (+50 °C)
EPDM 14 °F to 248 °F (-10 °C to +120 °C)	Water, hot water	14 °F (-10 °C)	122 °F (+50 °C)

<sup>2</sup> See corrosion reference guide and sealing solutions for material compatibility.

# RD204/205/206/222 Series (USA)

Aggressive Fluids, Stainless Steel – 2/2 Normally Open



Preferred Valve Mounting Options



Pipe Size	A	B	C	D	Weight Lb (kg)
3/8 - 1/2	2.64 (67)	3.94 (100)	1.80 (45.6)	0.59 (15)	1.08 (0.49)
3/4 - 1	3.78 (96)	4.84 (123)	2.83 (72)	0.91 (23)	2.43 (1.1)

Dimensions inches (mm)

## Solenoid enclosures

### 7--1 Type Coil - Insulation class H

External material: PPS (fibreglass & mineral filled)  
 Electrical connection: DIN EN 175301-803 form A  
 Winding insulation: Class H (E180)  
 Enclosure classification: Conforms to NEMA type 4 (UL 50) and IP65 (according to EN 60529) with plug and gasket correctly fitted\*



\* Plug and gasket not supplied as standard, must be ordered separately.

### Type 600 011- Plug

Rated Voltage (max.): 250 VAC / 300 VDC  
 Nominal Current: 10A (rated) / 16A (max)  
 Wire cross-section: 0.0023 inch<sup>2</sup> max (1.5 mm<sup>2</sup> max)  
 Cable Entry: PG9 (0.24 to 0.31 inch / 6 to 8 mm)  
 Enclosure classification: Conforms to IP65 (according to EN 60529) with supplied gasket  
 Insulation class: group C- VDE 0110  
 Housing colour: black  
 UL approved, file No: E205538



## Coding chart

### Main Valve Assembly

Pipe Size	
04	3/8
05	1/2
06	3/4
22	1

Seals		Orifice <sup>1</sup>	
V	FKM	Z	33/64
E	EPDM	Y	63/64
B	NBR		

Thread Pipe	
N	NPT
	GAS

Voltage / Frequency - Class H	
7251	24 VDC
7201	24 V / 50/60 Hz
7401	110 V / 50 Hz - 120 V / 60 Hz
7601	200 V / 50 Hz - 220 V / 60 Hz
7701	230 V / 50 Hz - 240 V / 60 Hz

Plug	
	w/o plug
0A1	c/w plug

RD	2	•	•	D	•	•	I	N	•	•	•	•	•	•	•
----	---	---	---	---	---	---	---	---	---	---	---	---	---	---	---

<sup>1</sup> DN 33/64 for RD204 and RD205, DN 63/64 for RD206 and RD222.  
 Contact supplier for options.

### Product coding example:

RD204DVZIN 7251  
 3/8 NPT, auto operation, stainless steel body, FKM seals, 33/64 orifice, 24 VDC, without plug.



# D262DL/263DL Series

## Steam – 2/2 Normally Closed

Specifications	
Function (single acting)	<p>Flow direction overseat 1 → 2</p>
Maximum Viscosity	Max. 21cST (3 °E)
Body Material (Std)	Brass CW617N (EN 12165)
Orifice Material	Stainless Steel 1.4305 EN 10088 (AISI 303)
Flange Tube (Seamless)	Stainless Steel 1.4305 EN 10088 (AISI 303)
Plunger	Stainless Steel 1.4106 EN 10088 (AISI 430F)
Top Stop	Stainless Steel 1.4105 EN 10088 (AISI 430F)
Springs	Stainless Steel AISI 302
Seal Material (Std)	Sigodur (filled PTFE)
Connection Type (Std)	G parallel thread (ISO 228-1)
Shading Ring	Copper
Electrical Characteristics	
Standard Coil Voltage DC (=)	24 V
Standard Coil Voltage AC 50 Hz (-)	24 V, 110 V, 200 V, 230 V
Standard Coil Voltage AC 60 Hz (-)	24 V, 120 V, 220 V, 240 V
Voltage Tolerance	+10% to -15% (AC)
	+10% to -5% (DC)
Duty Cycle	100% ED
Protection Class	IP65 (EN 60529) with plug and gasket correctly fitted *
Electrical Connection	to EN 175301 - 803 - A (ex DIN 43650)
Coil Insulation	Class H 180 °C
Power Rating (Standard)	AC 18 VA (holding) AC 36 VA (inrush) DC 14 W

### Features and Benefits

- Direct Acting
- Robust construction for industrial applications
- Stainless steel AISI 430F operators with low residual magnetism
- Manufactured in compliance to RoHS directive and to relevant international standards
- High quality seal materials
- Response time 5 to 25 ms



Pipe Size	Cv (gpm)	Kv (m³/h)	OPD (bar)		Orifice (mm)	Seal Material	Valve Code
			AC Voltages	DC Voltages			
¼"	0.04	0.03	0 - 9	0 - 9	1.0	Filled PTFE	D263DLA
¼"	0.09	0.08	0 - 9	0 - 9	1.5	Filled PTFE	D263DLC
¼"	0.24	0.20	0 - 9	0 - 8	2.5	Filled PTFE	D263DLG
¼"	0.32	0.27	0 - 9	0 - 5	3.0	Filled PTFE	D263DLH

### Options Available

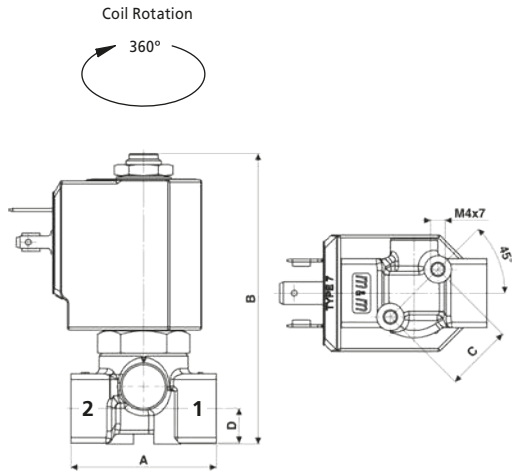
Valve Options (see coding chart)
Body threaded connection G ½"
NPT threads (minimum batch may be required)
Manual override

Seal Material <sup>1</sup> and Media Temperature Range	Media	Ambient Temperature Range	
		Min	Max
Filled PTFE (-10 °C to +180 °C)	Steam	-10 °C	+70 °C

<sup>1</sup> See corrosion reference guide and sealing solutions for material compatibility.

# D262DL/263DL Series

Steam – 2/2 Normally Closed



Preferred Valve Mounting Options



Pipe Size	A	B	C	D	Weight (kg)
1/8" - 1/4"	40	77.5	18.5	9.5	0.26

Dimensions (mm)

## Solenoid enclosures

### 7--1 Type Coil - Insulation class H

External material: PPS (fibreglass & mineral filled)  
 Electrical connection: DIN EN 175301-803 form A  
 Winding insulation: Class H (E180)  
 Enclosure classification: Conforms to IP65 (according to EN 60529) with plug and gasket correctly fitted\*



\* Plug and gasket not supplied as standard, must be ordered separately.

### Type 600 011- Plug

Rated Voltage (max.): 250 VAC / 300 VDC  
 Nominal Current: 10A (rated) / 16A (max)  
 Wire cross-section: 1.5 mm<sup>2</sup> max  
 Cable Entry: PG9 (6 to 8 mm)  
 Enclosure classification: Conforms to IP65 (according to EN 60529) with supplied gasket  
 Insulation class: group C- VDE 0110  
 Housing colour: black  
 UL approved, file No: E205538



## Coding chart

### Main Valve Assembly

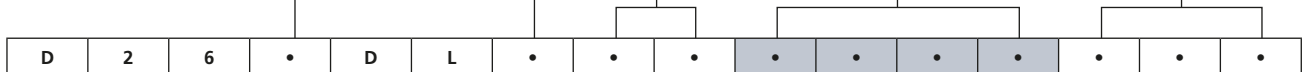
Pipe Size	
2	1/8"
3	1/4"

Orifice	
A	1.0
C	1.5
G	2.5
H	3.0

Option	
N	NPT
M	Manual override
	w/o option

Voltage / Frequency - Class H	
7251	24 VDC
7201	24 V / 50/60 Hz
7401	110 V / 50 Hz - 120 V / 60 Hz
7601	200 V / 50 Hz - 220 V / 60 Hz
7701	230 V / 50 Hz - 240 V / 60 Hz

Plug	
	w/o plug
0A1	c/w plug

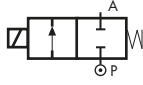


### Product coding example:

D263DLA 7251  
 1/4" G, auto operation, brass body, filled PTFE seals, 1.0 mm orifice, 24 VDC, without plug.

# D262/263 Series (USA)

## Steam – 2/2 Normally Closed

Specifications	
Function (single acting)	 <p>Flow direction overseat 1 → 2</p>
Maximum Viscosity	Max. 21cST (3 °E)
Body Material (Std)	Brass C37700 (UNS Designation)
Orifice Material	Stainless Steel AISI 303 (1.4305 EN 10088)
Flange Tube (seamless)	Stainless Steel AISI 303 (1.4305 EN 10088)
Plunger	Stainless Steel AISI 430F (1.4106 EN 10088)
Top Stop	Stainless Steel AISI 430F (1.4105 EN 10088)
Springs	Stainless Steel AISI 302
Seal Material (Std)	Sigodur (filled PTFE)
Connection Type	NPT
Shading Ring	Copper
Electrical Characteristics	
Coil Voltage DC (–)	24 V
Coil Voltage AC 50 Hz (–)	24 V, 110 V, 230 V
Coil Voltage AC 60 Hz (–)	120 V, 240 V
Voltage Tolerance	+10% to -15% (AC)
	+10% to -5% (DC)
Duty Cycle	100% ED
Enclosure Classification	NEMA type 4 (UL 50) and IP65 (EN 60529) with plug and gasket correctly fitted *
Electrical Connection	to EN 175301 - 803 - A (ex DIN 43650)
Coil Insulation Class	180 (H) to UL429 and to EN 60730-1
Power Rating (UL Coils)	AC 15 VA (holding) AC 30 VA (inrush) DC 10 W

### Features and Benefits

- Direct Acting
- Robust construction for industrial applications
- Stainless steel AISI 430F operators with low residual magnetism
- High quality seal materials
- Response time 5 to 25 ms



Pipe Size	Cv (gpm)	Kv (m <sup>3</sup> /h)	OPD psi (bar)		Orifice inches (mm)	Seal Material	Valve Code
			AC Voltages	DC Voltages			
¼	0.04	0.03	0 - 131 (0 - 9)	0 - 131 (0 - 9)	⅜ <sub>64</sub> (1.0)	Filled PTFE	D263D <sub>L</sub> AN
¼	0.09	0.08	0 - 131 (0 - 9)	0 - 131 (0 - 9)	⅜ <sub>16</sub> (1.5)	Filled PTFE	D263D <sub>L</sub> CN
¼	0.24	0.20	0 - 131 (0 - 9)	0 - 65 (0 - 4.5)	⅜ <sub>32</sub> (2.5)	Filled PTFE	D263D <sub>L</sub> GN
¼	0.32	0.27	0 - 131 (0 - 9)	0 - 36 (0 - 2.5)	⅜ <sub>8</sub> (3.0)	Filled PTFE	D263D <sub>L</sub> HN

### Options Available

Valve Options (see coding chart)
Body threaded connection ½
G parallel thread (ISO 228-1)
Manual override
CE coils (class H), power DC 14W - AC 18 VA <sup>1</sup>

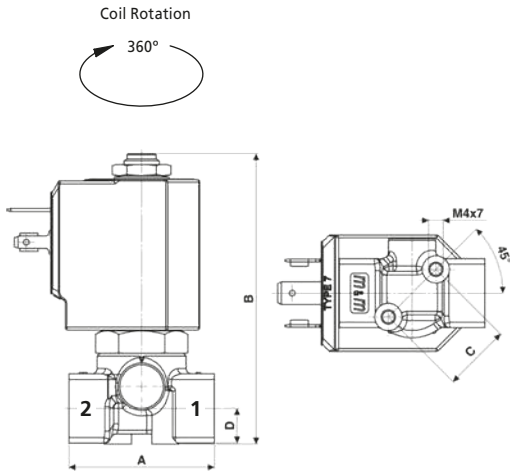
<sup>1</sup> Pressure ratings of valves fitted with CE coils may be higher than with UL coils (coils specifications on [Page 303](#)).

Seal Material <sup>2</sup> and Media Temperature Range	Media	Ambient Temperature Range	
		Min	Max
Filled PTFE 14 °F to 356 °F (-10 °C to +180 °C)	Steam	14 °F (-10 °C)	158 °F (+70 °C)

<sup>2</sup> See corrosion reference guide and sealing solutions for material compatibility.

# D262/263 Series (USA)

Steam – 2/2 Normally Closed



Preferred Valve Mounting Options



Pipe Size	A	B	C	D	Weight Lb (kg)
1/8 - 1/4	1.57 (40)	3.05 (77.5)	0.73 (18.5)	0.37 (9.5)	0.57 (0.26)

Dimensions inches (mm)

## Solenoid enclosures

### 7--H c us Type Coil - Insulation class H

- External material: PET 530HTE Rynite®
- Electrical connection: DIN EN 175301-803 form A
- Winding insulation: Class H (Al210)
- Enclosure classification: Conforms to NEMA type 4 (UL 50) and IP65 (according to EN 60529) with plug and gasket correctly fitted\*



UL approved, file No: E193928

\* Plug and gasket not supplied as standard, must be ordered separately.

### Type 600 011- Plug

- Rated Voltage (max.): 250 VAC / 300 VDC
- Nominal Current: 10A (rated) / 16A (max)
- Wire cross-section: 0.0023 inch<sup>2</sup> max (1.5 mm<sup>2</sup> max)
- Cable Entry: PG9 (0.24 to 0.31 inch / 6 to 8 mm)
- Enclosure classification: Conforms to IP65 (according to EN 60529) with supplied gasket



- Insulation class: group C- VDE 0110
- Housing colour: black
- UL approved, file No: E205538

## Coding chart

### Main Valve Assembly

Pipe Size	
2	1/8
3	1/4

Orifice	Thread Pipe	Option
A 3/64	N NPT	M Manual override
C 1/16	GAS	w/o option
G 3/32		
H 1/8		

### Coil options

Voltage / Frequency - c  us Type, Class H	
725H	24 VDC
720H	24 V / 50 Hz
740H	110 V / 50 Hz - 120 V / 60 Hz
770H	230 V / 50 Hz - 240 V / 60 Hz

Voltage / Frequency - CE Type, Class H	
725I	24 VDC
720I	24 V / 50/60 Hz
740I	110 V / 50 Hz - 120 V / 60 Hz
770I	230 V / 50 Hz - 240 V / 60 Hz

### Plug

Plug	
	w/o plug
0A1	c/w plug

D	2	6	•	D	L	•	N	•	•	•	•	•	•	•	•	•	•	•	•
---	---	---	---	---	---	---	---	---	---	---	---	---	---	---	---	---	---	---	---

## Product coding example:

D263DLAN 720H  
1/4 NPT, auto operation, brass body, filled PTFE seals, 3/64 orifice, 24 V / 50 Hz, without plug.

# D398/399CL Series

Steam – 3/2 Normally Closed

Specifications	
Function (single acting)	<p>Flow direction underseat 2 → 1</p>
Maximum Viscosity	Max. 21cST (3 °E)
Body Material (Std)	Stainless Steel 1.4305 EN 10088 (AISI 303)
Orifice Material	Stainless Steel 1.4305 EN 10088 (AISI 303)
Flange Tube (Seamless)	Stainless Steel 1.4305 EN 10088 (AISI 303)
Plunger	Stainless Steel 1.4106 EN 10088 (AISI 430F)
Top Stop	Stainless Steel 1.4105 EN 10088 (AISI 430F)
Springs	Stainless Steel AISI 302
Seal Material (Std)	Sigodur (filled PTFE)
Connection Type (Std)	G parallel thread (ISO 228-1)
Shading Ring	Copper
Electrical Characteristics	
Standard Coil Voltage DC (=)	24 V
Standard Coil Voltage AC 50 Hz (-)	24 V, 110 V, 200 V, 230 V
Standard Coil Voltage AC 60 Hz (-)	24 V, 120 V, 220 V, 240 V
Voltage Tolerance	+10% to -15% (AC)
	+10% to -5% (DC)
Duty Cycle	100% ED
Protection Class	IP65 (EN 60529) with plug and gasket correctly fitted *
Electrical Connection	to EN 175301 - 803 - A (ex DIN 43650)
Coil Insulation	Class H 180 °C
Power Rating (Standard)	AC 18 VA (holding) AC 36 VA (inrush) DC 14 W

## Features and Benefits

- Direct Acting
- Robust construction for industrial applications
- Zero pressure rated
- Stainless steel AISI 430F operators with low residual magnetism
- Manufactured in compliance to RoHS directive and to relevant international standards
- High quality seal materials
- Response time 5 to 25 ms



Pipe Size	Cv (gpm)	Kv (m³/h)	OPD (bar)		Orifice (mm)	Seal Material	Valve Code
			AC Voltages	DC Voltages			
¼"	0.09	0.08	0 - 9	0 - 9	1.5	filled PTFE	D399CLC
¼"	0.15	0.13	0 - 9	0 - 9	2.0	filled PTFE	D399CLE
¼"	0.32	0.27	0 - 5	0 - 5	3.0	filled PTFE	D399CLH

## Options Available

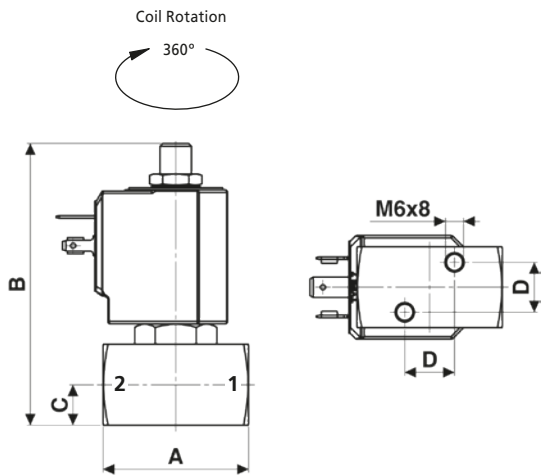
Valve Options (see coding chart)
Body threaded connection G ½"
NPT threads (minimum batch may be required)
Silver shading ring

Seal Material <sup>1</sup> and Media Temperature Range	Media	Ambient Temperature Range	
		Min	Max
Filled PTFE (-10 °C to +180 °C)	Steam	-10 °C	+70 °C

<sup>1</sup> See corrosion reference guide and sealing solutions for material compatibility.

# D398/399CL Series

Steam – 3/2 Normally Closed



Preferred Valve Mounting Options



Pipe Size	A	B	C	D	Weight (kg)
1/8" - 1/4"	45	87	12.5	15.4	0.35

Dimensions (mm)

## Solenoid enclosures

### 7--1 Type Coil - Insulation class H

External material: PPS (fibreglass & mineral filled)  
 Electrical connection: DIN EN 175301-803 form A  
 Winding insulation: Class H (E180)  
 Enclosure classification: Conforms to IP65 (according to EN 60529) with plug and gasket correctly fitted\*



\* Plug and gasket not supplied as standard, must be ordered separately.

### Type 600 011- Plug

Rated Voltage (max.): 250 VAC / 300 VDC  
 Nominal Current: 10A (rated) / 16A (max)  
 Wire cross-section: 1.5 mm<sup>2</sup> max  
 Cable Entry: PG9 (6 to 8 mm)  
 Enclosure classification: Conforms to IP65 (according to EN 60529) with supplied gasket  
 Insulation class: group C- VDE 0110  
 Housing colour: black  
 UL approved, file No: E205538



## Coding chart

### Main Valve Assembly

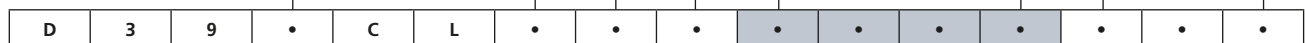
Pipe Size	
8	1/8"
9	1/4"

Orifice	
C	1.5
E	2.0
H	3.0

Option	
A	Silver shading ring
N	NPT
	w/o option

Voltage / Frequency - Class H	
7251	24 VDC
7201	24 V / 50/60 Hz
7401	110 V / 50 Hz - 120 V / 60 Hz
7601	200 V / 50 Hz - 220 V / 60 Hz
7701	230 V / 50 Hz - 240 V / 60 Hz

Plug	
0A1	c/w plug
	w/o plug



### Product coding example:

D398CLE 7251  
 1/8" G, auto operation, stainless steel body, filled PTFE seals, 2.0 mm orifice, 24 VDC, without plug.

# D398/399 Series (USA)

## Steam – 3/2 Normally Closed

Specifications	
Function (single acting)	<p>Flow direction underseat 2 → 1</p>
Maximum Viscosity	Max. 21cST (3 °E)
Body Material (Std)	Stainless Steel AISI 303 (1.4305 EN 10088)
Orifice Material	Stainless Steel AISI 303 (1.4305 EN 10088)
Flange Tube (seamless)	Stainless Steel AISI 303 (1.4305 EN 10088)
Plunger	Stainless Steel AISI 430F (1.4106 EN 10088)
Top Stop	Stainless Steel AISI 430F (1.4105 EN 10088)
Springs	Stainless Steel AISI 302
Seal Material (Std)	Sigodur (filled PTFE)
Connection Type	NPT
Shading Ring	Copper
Electrical Characteristics	
Coil Voltage DC (-)	24 V
Coil Voltage AC 50 Hz (-)	24 V, 110 V, 230 V
Coil Voltage AC 60 Hz (-)	120 V, 240 V
Voltage Tolerance	+10% to -15% (AC)
	+10% to -5% (DC)
Duty Cycle	100% ED
Enclosure Classification	NEMA type 4 (UL 50) and IP65 (EN 60529) with plug and gasket correctly fitted *
Electrical Connection	to EN 175301 - 803 - A (ex DIN 43650)
Coil Insulation Class	180 (H) to UL429 and to EN 60730-1
Power Rating (cULus Coils)	AC 15 VA (holding) AC 30 VA (inrush) DC 10 W

### Features and Benefits

- Direct Acting
- Robust construction for industrial applications
- Zero pressure rated
- Stainless steel AISI 430F operators with low residual magnetism
- High quality seal materials
- Response time 5 to 25 ms



Pipe Size	Cv (gpm)	Kv (m³/h)	OPD psi (bar)		Orifice inches (mm)	Seal Material	Valve Code
			AC Voltages	DC Voltages			
¼	0.09	0.08	0 - 131 (0 - 9)	0 - 131 (0 - 9)	⅛ (1.5)	filled PTFE	D399CLCN
¼	0.15	0.13	0 - 131 (0 - 9)	0 - 131 (0 - 9)	⅜ (2.0)	filled PTFE	D399CLEN
¼	0.32	0.27	0 - 73 (0 - 5)	0 - 73 (0 - 5)	⅝ (3.0)	filled PTFE	D399CLHN

### Options Available

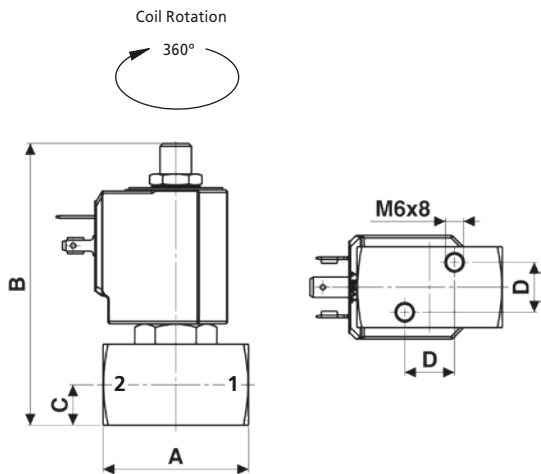
Valve Options (see coding chart)
Body threaded connection ½
G parallel thread (ISO 228-1)
Silver shading ring
CE coils, power DC 14W - AC 18 VA

Seal Material <sup>1</sup> and Media Temperature Range	Media	Ambient Temperature Range	
		Min	Max
Filled PTFE 14 °F to 356 °F (-10 °C to +180 °C)	Steam	14 °F (-10 °C)	158 °F (+70 °C)

<sup>1</sup> See corrosion reference guide and sealing solutions for material compatibility.

# D398/399 Series (USA)

Steam – 3/2 Normally Closed



Preferred Valve Mounting Options



Pipe Size	A	B	C	D	Weight Lb (kg)
1/8 - 1/4	1.77 (45)	3.43 (87)	0.49 (12.5)	0.61 (15.4)	0.77 (0.35)

Dimensions inches (mm)

## Solenoid enclosures

### 7--H c us Type Coil - Insulation class H

- External material: PET 530HTE Rynite®
- Electrical connection: DIN EN 175301-803 form A
- Winding insulation: Class H (Al210)
- Enclosure classification: Conforms to NEMA type 4 (UL 50) and IP65 (according to EN 60529) with plug and gasket correctly fitted\*



UL approved, file No: E193928

\* Plug and gasket not supplied as standard, must be ordered separately.

### Type 600 011- Plug

- Rated Voltage (max.): 250 VAC / 300 VDC
- Nominal Current: 10A (rated) / 16A (max)
- Wire cross-section: 0.0023 inch<sup>2</sup> max (1.5 mm<sup>2</sup> max)
- Cable Entry: PG9 (0.24 to 0.31 inch / 6 to 8 mm)
- Enclosure classification: Conforms to IP65 (according to EN 60529) with supplied gasket
- Insulation class: group C- VDE 0110
- Housing colour: black
- UL approved, file No: E205538



## Coding chart

### Main Valve Assembly

Pipe Size
8 1/8"
9 1/4"

Orifice	Thread Pipe	Option
C 1/16	N NPT	A Silver shading ring
E 5/64	GAS	w/o option
H 1/8		

### Coil options

Voltage / Frequency - c  us Type, Class H	
725H	24 VDC
720H	24 V / 50 Hz
740H	110 V / 50 Hz - 120 V / 60 Hz
770H	230 V / 50 Hz - 240 V / 60 Hz

Voltage / Frequency - CE Type, Class H	
7251	24 VDC
7201	24 V / 50/60 Hz
7401	110 V / 50 Hz - 120 V / 60 Hz
7701	230 V / 50 Hz - 240 V / 60 Hz

### Plug

Plug
0A1 c/w plug
w/o plug



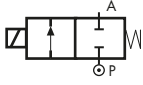
### Product coding example:

D398CLEN 725H  
1/8 NPT, auto operation, stainless steel body, filled PTFE seals, 5/64 orifice, 24 VDC, without plug.



# D238/239 Series

## Steam – 2/2 Normally Closed

Specifications	
Function (single acting)	 <p>Flow direction overseat 1 → 2</p>
Maximum Viscosity	Max. 21cST (3 °E)
Body Material (Std)	Brass CW617N (EN 12165)
Orifice Material	Stainless Steel 1.4305 EN 10088 (AISI 303)
Flange Tube (Seamless)	Stainless Steel 1.4305 EN 10088 (AISI 303)
Plunger	Stainless Steel 1.4106 EN 10088 (AISI 430F)
Top Stop	Stainless Steel 1.4105 EN 10088 (AISI 430F)
Springs	Stainless Steel AISI 302
Seal Material (Std)	Sigodur (filled PTFE)
Connection Type (Std)	G parallel thread (ISO 228-1)
Shading Ring	Copper
Electrical Characteristics	
Standard Coil Voltage DC (=)	24 V
Standard Coil Voltage AC 50 Hz (-)	24 V, 110 V, 200 V, 230 V
Standard Coil Voltage AC 60 Hz (-)	24 V, 120 V, 220 V, 240 V
Voltage Tolerance	+10% to -15% (AC)
	+10% to -5% (DC)
Duty Cycle	100% ED
Protection Class	IP65 (EN 60529) with plug and gasket correctly fitted *
Electrical Connection	to EN 175301 - 803 - A (ex DIN 43650)
Coil Insulation	Class H 180 °C
Power Rating (Standard)	AC 18 VA (holding) AC 36 VA (inrush) DC 14 W

### Features and Benefits

- Direct Acting
- Robust construction for industrial applications
- Stainless steel AISI 430F operators with low residual magnetism
- Manufactured in compliance to RoHS directive and to relevant international standards
- High quality seal materials
- Response time 5 to 25 ms



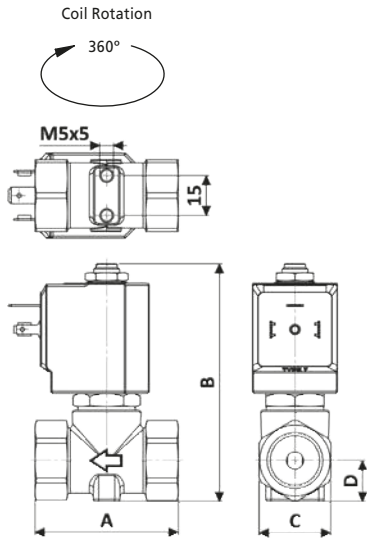
Pipe Size	Cv (gpm)	Kv (m³/h)	OPD (bar)		Orifice (mm)	Seal Material	Valve Code
			AC Voltages	DC Voltages			
3/8"	0.32	0.27	0 - 9	0 - 8	3.0	Filled PTFE	D238DLH
3/8"	0.53	0.45	0 - 5	0 - 2	5.0	Filled PTFE	D238DLN
1/2"	0.35	0.30	0 - 9	0 - 5	3.5	Filled PTFE	D239DLI

Seal Material <sup>1</sup> and Media Temperature Range	Media	Ambient Temperature Range	
		Min	Max
Filled PTFE (-10 °C to +180 °C)	Steam	-10 °C	+70 °C

<sup>1</sup> See corrosion reference guide and sealing solutions for material compatibility.

# D238/239 Series

Steam – 2/2 Normally Closed



Preferred Valve Mounting Options



Pipe Size	A	B	C	D	Weight (kg)
3/8" - 1/2"	54	89.35	HEX 27	15	0.45

Dimensions (mm)

## Solenoid enclosures

### 7--1 Type Coil - Insulation class H

External material: PPS (fibreglass & mineral filled)  
 Electrical connection: DIN EN 175301-803 form A  
 Winding insulation: Class H (E180)  
 Enclosure classification: Conforms to IP65 (according to EN 60529) with plug and gasket correctly fitted\*



### Type 600 011- Plug

Rated Voltage (max.): 250 VAC / 300 VDC  
 Nominal Current: 10A (rated) / 16A (max)  
 Wire cross-section: 1.5 mm<sup>2</sup> max  
 Cable Entry: PG9 (6 to 8 mm)  
 Enclosure classification: Conforms to IP65 (according to EN 60529) with supplied gasket  
 Insulation class: group C- VDE 0110  
 Housing colour: black  
 UL approved, file No: E205538



\* Plug and gasket not supplied as standard, must be ordered separately.

## Coding chart

### Main Valve Assembly

Pipe Size	
8	3/8"
9	1/2"

Orifice	
H	3.0
I	3.5
N	5.0

Option	
	w/o option

### Coil options

Voltage / Frequency - Class H	
7251	24 VDC
7201	24 V / 50/60 Hz
7401	110 V / 50 Hz - 120 V / 60 Hz
7601	200 V / 50 Hz - 220 V / 60 Hz
7701	230 V / 50 Hz - 240 V / 60 Hz

### Plug

Plug	
	w/o plug
0A1	c/w plug

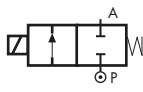
D	2	3	.	D	L	.	.	.	.	.	.	.	.	.	.	.
---	---	---	---	---	---	---	---	---	---	---	---	---	---	---	---	---

### Product coding example:

D238DLH 7251  
 3/8" G, auto operation, brass body, filled PTFE seals, 3.0 mm orifice, 24 VDC, without plug.

# D238/239 Series (USA)

## Steam – 2/2 Normally Closed

Specifications	
Function (single acting)	 <p>Flow direction overseat 1 → 2</p>
Maximum Viscosity	Max. 21cST (3 °E)
Body Material (Std)	Brass C37700 (UNS Designation)
Orifice Material	Stainless Steel AISI 303 (1.4305 EN 10088)
Flange Tube (seamless)	Stainless Steel AISI 303 (1.4305 EN 10088)
Plunger	Stainless Steel AISI 430F (1.4106 EN 10088)
Top Stop	Stainless Steel AISI 430F (1.4105 EN 10088)
Springs	Stainless Steel AISI 302
Seal Material (Std)	Sigodur (filled PTFE)
Connection Type	NPT
Shading Ring	Copper
Electrical Characteristics <sup>1</sup>	
Standard Coil Voltage DC (=)	24 V
Standard Coil Voltage AC 50 Hz (-)	24 V, 110 V, 200 V, 230 V
Standard Coil Voltage AC 60 Hz (-)	24 V, 120 V, 220 V, 240 V
Voltage Tolerance	+10% to -15% (AC)
	+10% to -5% (DC)
Duty Cycle	100% ED
Enclosure classification	NEMA type 4 (UL 50) and IP65 (EN 60529) with plug and gasket correctly fitted *
Electrical Connection	to EN 175301 - 803 - A (ex DIN 43650)
Coil Insulation Class	180 (H) to EN 60730-1
Power Rating (Standard)	AC 18 VA (holding) AC 36 VA (inrush) DC 14 W

<sup>1</sup> High power coils are not UL approved.

### Features and Benefits

- Direct Acting
- Robust construction for industrial applications
- Stainless steel AISI 430F operators with low residual magnetism
- High quality seal materials
- Response time 5 to 25 ms



Pipe Size	Cv (gpm)	Kv (m <sup>3</sup> /h)	OPD psi (bar)		Orifice inches (mm)	Seal Material	Valve Code
			AC Voltages	DC Voltages			
3/8	0.32	0.27	0 - 131 (0 - 9)	0 - 116 (0 - 8)	1/8 (3.0)	Filled PTFE	D238D_LHN
3/8	0.53	0.45	0 - 73 (0 - 5)	0 - 29 (0 - 2)	13/64 (5.0)	Filled PTFE	D238D_LNN
1/2	0.35	0.30	0 - 131 (0 - 9)	0 - 73 (0 - 5)	1/8 (3.5)	Filled PTFE	D239D_LIN

### Options Available

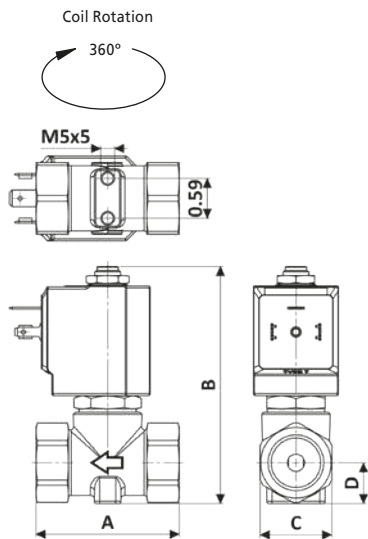
Valve Options (see coding chart)
G parallel thread (ISO 228-1)

Seal Material <sup>2</sup> and Media Temperature Range	Media	Ambient Temperature Range	
		Min	Max
Filled PTFE 14 °F to 356 °F (-10 °C to +180 °C)	Steam	14 °F (-10 °C)	158 °F (+70 °C)

<sup>2</sup> See corrosion reference guide and sealing solutions for material compatibility.

# D238/239 Series (USA)

Steam – 2/2 Normally Closed



Preferred Valve Mounting Options



Pipe Size	A	B	C	D	Weight Lb (kg)
3/8 - 1/2	2.13 (54)	3.52 (89.35)	HEX 27 (27)	0.59 (15)	0.99 (0.45)

Dimensions inches (mm)

## Solenoid enclosures

### 7--1 Type Coil - Insulation class H

- External material: PPS (fibreglass & mineral filled)
- Electrical connection: DIN EN 175301-803 form A
- Winding insulation: Class H (E180)
- Enclosure classification: Conforms to NEMA type 4 (UL 50) and IP65 (according to EN 60529) with plug and gasket correctly fitted\*



\* Plug and gasket not supplied as standard, must be ordered separately.

### Type 600 011- Plug

- Rated Voltage (max.): 250 VAC / 300 VDC
- Nominal Current: 10A (rated) / 16A (max)
- Wire cross-section: 0.0023 inch<sup>2</sup> max (1.5 mm<sup>2</sup> max)
- Cable Entry: PG9 (0.24 to 0.31 inch / 6 to 8 mm)
- Enclosure classification: Conforms to IP65 (according to EN 60529) with supplied gasket
- Insulation class: group C- VDE 0110
- Housing colour: black
- UL approved, file No: E205538



## Coding chart

### Main Valve Assembly

Pipe Size
8 3/8"
9 1/2"

Orifice
H 1/8
I 1/8
N 13/64

Thread Pipe
N NPT
GAS

Option
w/o option

Voltage / Frequency - Class H	
7251	24 VDC
7201	24 V / 50/60 Hz
7401	110 V / 50 Hz - 120 V / 60 Hz
7601	200 V / 50 Hz - 220 V / 60 Hz
7701	230 V / 50 Hz - 240 V / 60 Hz

Plug
w/o plug
0A1 c/w plug

D	2	3	.	D	L	.	N	.	.	.	.	.	.	.	.	.
---	---	---	---	---	---	---	---	---	---	---	---	---	---	---	---	---

### Product coding example:

D238DLHN 7251  
3/8 NPT, auto operation, brass body, filled PTFE seals, 1/8 orifice, 24 VDC, without plug.

# D634/635/636 Series

## Steam – 2/2 Normally Closed

Specifications	
Function (single acting)	<p>Flow direction overseat 1 → 2</p>
Maximum Viscosity	Max. 21cST (3 °E)
Body Material (Std)	Brass CW617N (EN 12165)
Orifice Material	Stainless Steel 1.4305 EN 10088 (AISI 303)
Flange Tube (Seamless)	Stainless Steel 1.4305 EN 10088 (AISI 303)
Plunger	Stainless Steel 1.4106 EN 10088 (AISI 430F)
Top Stop	Stainless Steel 1.4105 EN 10088 (AISI 430F)
Piston Material	Brass CW614N (EN 12164)
Springs	Stainless Steel AISI 302
Seal Material (Std)	PTFE
Connection Type (Std)	G parallel thread (ISO 228-1)
Shading Ring	Copper
Electrical Characteristics	
Standard Coil Voltage DC (-)	24 V
Standard Coil Voltage AC 50 Hz (-)	24 V, 110 V, 200 V, 230 V
Standard Coil Voltage AC 60 Hz (-)	24 V, 120 V, 220 V, 240 V
Voltage Tolerance	+10% to -15% (AC)
	+10% to -5% (DC)
Duty Cycle	100% ED
Protection Class	IP65 (EN 60529) with plug and gasket correctly fitted *
Electrical Connection	to EN 175301 - 803 - A (ex DIN 43650)
Coil Insulation	Class H 180 °C
Power Rating (Standard)*	AC 18 VA (holding) AC 36 VA (inrush) DC 22 W

\* For DC only High power coil mandatory.

### Features and Benefits

- Pilot operated
- Robust construction for industrial applications
- Stainless steel AISI 430F operators with low residual magnetism
- Manufactured in compliance to RoHS directive and to relevant international standards
- High quality seal materials
- Response time 50 to 500 ms



Pipe Size	Cv (gpm)	Kv (m³/h)	OPD (bar)		Orifice (mm)	Seal Material	Valve Code
			AC Voltages	DC Voltages			
¼"	1.47	1.26	0.3 - 9	0.3 - 9	10	PTFE	D634DIT
⅜"	1.68	1.44			10	PTFE	D635DIT
½"	1.76	1.50			10	PTFE	D636DIT

Seal Material <sup>1</sup> and Media Temperature Range	Media	Ambient Temperature Range	
		Min	Max
PTFE (+80 °C <sup>2</sup> to +180 °C)	Steam	-10 °C	+70 °C

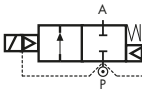
<sup>1</sup> See corrosion reference guide and sealing solutions for material compatibility.

<sup>2</sup> For correct functioning, the minimum working temperature of the solenoid valve cannot be below 80 °C.



# D634/635/636 Series (USA)

## Steam – 2/2 Normally Closed

Specifications	
Function (single acting)	 <p>Flow direction overseat 1 → 2</p>
Maximum Viscosity	Max. 21cST (3 °E)
Body Material (Std)	Brass C37700 (UNS Designation)
Orifice Material	Stainless Steel AISI 303 (1.4305 EN 10088)
Flange Tube (seamless)	Stainless Steel AISI 303 (1.4305 EN 10088)
Plunger	Stainless Steel AISI 430F (1.4106 EN 10088)
Top Stop	Stainless Steel AISI 430F (1.4105 EN 10088)
Piston Material	Brass C37700 (UNS Designation)
Springs	Stainless Steel AISI 302
Seal Material (Std)	PTFE
Connection Type	NPT
Shading Ring	Copper
Electrical Characteristics <sup>1</sup>	
High Power Coil Voltage DC (=)	24 V
Standard Coil Voltage AC 50 Hz (-)	24 V, 110 V, 200 V, 230 V
Standard Coil Voltage AC 60 Hz (-)	24 V, 120 V, 220 V, 240 V
Voltage Tolerance	+10% to -15% (AC)
	+10% to -5% (DC)
Duty Cycle	100% ED
Enclosure Classification	NEMA type 4 (UL 50) and IP65 (EN 60529) with plug and gasket correctly fitted *
Electrical Connection	to EN 175301 - 803 - A (ex DIN 43650)
Coil Insulation Class	180 (H) to EN 60730-1
Power Rating (Standard)	AC 18 VA (holding) AC 36 VA (inrush) DC 22 W

<sup>1</sup> For DC only High Power coil mandatory, these coils are not UL approved.

### Features and Benefits

- Pilot operated
- Robust construction for industrial applications
- Stainless steel AISI 430F operators with low residual magnetism
- Coils tested 100% in compliance to RoHS directive and to relevant international standards
- High quality seal materials
- Response time 50 to 500 ms



Pipe Size	Cv (gpm)	Kv (m <sup>3</sup> /h)	OPD psi (bar)		Orifice inches (mm)	Seal Material	Valve Code
			AC Voltages	DC Voltages			
1/4	1.47	1.26	4.4 - 131 (0.3 - 9)	4.4 - 131 (0.3 - 9)	25/64 (10)	PTFE	D634DITN
3/8	1.68	1.44			25/64 (10)	PTFE	D635DITN
1/2	1.76	1.50			25/64 (10)	PTFE	D636DITN

### Options Available

Valve Options (see coding chart)
G parallel thread (ISO 228-1)

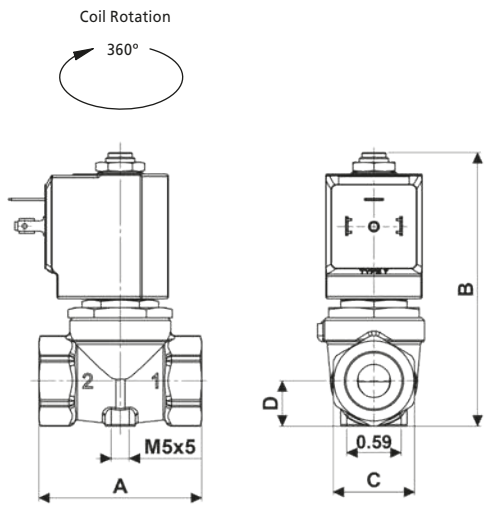
Seal Material <sup>2</sup> and Media Temperature Range	Media	Ambient Temperature Range	
		Min	Max
PTFE 176 °F <sup>3</sup> to 356 °F (+80 °C <sup>3</sup> to +180 °C)	Steam	14 °F (-10 °C)	158 °F (+70 °C)

<sup>2</sup> See corrosion reference guide and sealing solutions for material compatibility.

<sup>3</sup> For correct functioning, the minimum working temperature of the solenoid valve cannot be below 176 °F (+80 °C).

# D634/635/636 Series (USA)

Steam – 2/2 Normally Closed



Preferred Valve Mounting Options



Pipe Size	A	B	C	D	Weight Lb (kg)
1/4	2.13 (54)	3.94 (100)	HEX 27 (27)	0.59 (15)	1.10 (0.5)
3/8 to 1/2	2.13 (54)	3.94 (100)	HEX 27 (27)	0.59 (15)	0.99 (0.45)

Dimensions inches (mm)

## Solenoid enclosures

### 7--1 & 7-Z1 Type Coil - Insulation class H

External material: PPS (fibreglass & mineral filled)  
 Electrical connection: DIN EN 175301-803 form A  
 Winding insulation: Class H (E180)  
 Enclosure classification: Conforms to NEMA type 4 (UL 50) and IP65 (according to EN 60529) with plug and gasket correctly fitted\*



\* Plug and gasket not supplied as standard, must be ordered separately.

### Type 600 011- Plug

Rated Voltage (max.): 250 VAC / 300 VDC  
 Nominal Current: 10A (rated) / 16A (max)  
 Wire cross-section: 0.0023 inch<sup>2</sup> max (1.5 mm<sup>2</sup> max)  
 Cable Entry: PG9 (0.24 to 0.31 inch / 6 to 8 mm)  
 Enclosure classification: Conforms to IP65 (according to EN 60529) with supplied gasket  
 Insulation class: group C- VDE 0110  
 Housing colour: black  
 UL approved, file No: E205538



## Coding chart

### Main Valve Assembly

Pipe Size	
4	1/4
5	3/8
6	1/2

Thread Pipe	Option
N NPT	w/o option
GAS	

### Coil options

Voltage / Frequency - Class H (High Power DC only)	
72Z1	24 VDC
7201	24 V / 50/60 Hz
7401	110 V / 50 Hz - 120 V / 60 Hz
7601	200 V / 50 Hz - 220 V / 60 Hz
7701	230 V / 50 Hz - 240 V / 60 Hz

### Plug

Plug	
	w/o plug
0A1	c/w plug



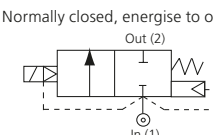
### Product coding example:

D634DTTN 72Z1  
 1/4 NPT, auto operation, brass body, PTFE seals, 25/64 orifice, 24 VDC, without plug.



# ACPX Series

## Steam – 2/2 Normally Closed

Specifications	
Function	Normally closed, energise to open 
Maximum Viscosity	115 SSU
½" - 1" Body Material (Std)	Brass CZ122
1¼" - 2" Body Material (Std)	Bronze DIN 1705
Flange Tube	Stainless Steel 303
Plunger and Top Stop	Stainless Steel 430FR
Springs	Stainless Steel 302
Seal Material (Std)	PTFE
Connection Type (Std)	BS21
Shading Ring	Copper (std), Silver (stainless steel option)
Electrical Characteristics	
Coil Voltage DC (=)	12 V, 24 V, 110 V
Coil Voltage AC 50 Hz (-)	24 V, 110 V, 120 V, 230 V
Coil Voltage AC 60 Hz (-)	24 V, 120 V, 220 V
Voltage Tolerance	+10% or -10%
Duty Cycle	100% ED
Protection Class (Std)	IP65 (BS EN 60529) (plug supplied as standard)
Electrical Connection (Std)	PG9 Din Connector DIN 43650/ISO 4400 (EN 175301-803) Form 'A'
Coil Insulation	Class H (BS EN 60085) 180 °C (E5 Type)
Power Rating	14.5 Watts, 19 VA

### Features and Benefits

- Heavy Duty Valve Design
- Piston Operation
- Wide temperature range capabilities
- Choice of valve body material seals



Pipe Size	Cv (gpm)	Kv (m³/h)	OPD (Bar)		P. Max Bar	Orifice (mm)	Weight (kg)
			AC Voltages	DC Voltages			
½"	4.9	4.2	0.3-8.6	0.3-4.8	50	16.00	1.3
¾"	6.3	5.4	0.3-8.6	0.3-4.8		16.00	1.3
1"	8.2	7.1	0.3-8.6	0.3-4.8		25.00	2.3
1¼"	20.9	18	0.3-8.6	0.3-4.8		30.00	3.0
1½"	20.9	18	0.3-8.6	0.3-4.8		30.00	3.0
2"	24.4	21	0.3-8.6	0.3-4.8		32.00	5.2

### Options Available

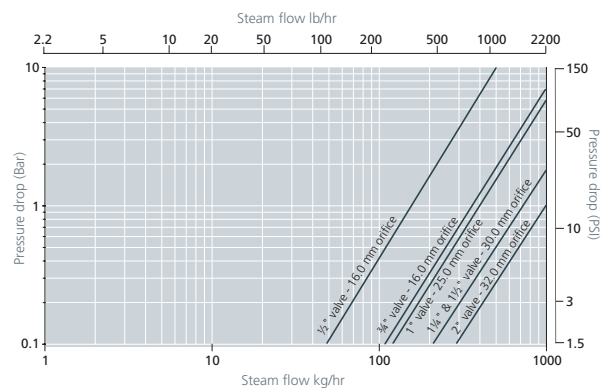
Seal Material <sup>1</sup> and Media Temp. Range	Ambient Temperature Range °C	
	Min	Max
PTFE (-200 °C to +180 °C)	-10	50

<sup>1</sup> See corrosion reference guide and sealing solutions for material compatibility.

Main Valve Assembly Options
Stainless steel body 316 (available up to 1")
NPT Threads
Stainless steel tagging

### How to use the flow chart

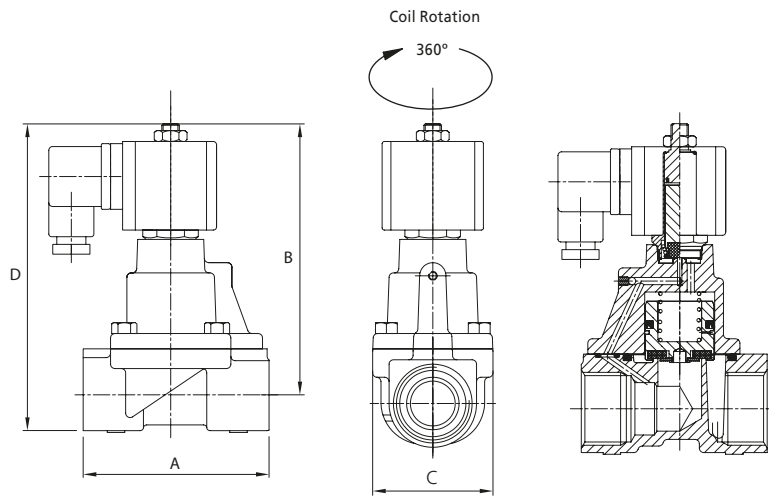
1. Select the required flow.
2. Note the corresponding pressure drop.
3. Based on where the two points intersect select the most appropriate model.



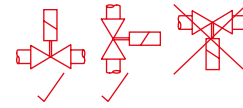
Flow shown is with steam at 4.0 bar

# ACPX Series

## Steam – 2/2 Normally Closed



### Preferred Valve Mounting Options



### Dimensions

Pipe Size	A	B	C	D
½"	85	126	75 inc. plug	150
¾" - 1"	85	135	75 inc. plug	155
1¼" - 1½"	117	133	82	209
2"	146	145	103	209

Dimensions given in mm

### Solenoid enclosures



#### E5 Type enclosure protection class IP65

- External material: Glass reinforced nylon
- Electrical connection: DIN Plug to ISO 4400
- Winding insulation: Class H
- Enclosure: Conforms to IP65 when correct plug gasket is fitted as supplied

### Coding chart

#### Main Valve Assembly

Model	Valve Body Conn. Size	Connection Type	Operation
22	ACPX		
	D ½"	1 B521	1 AUTO
	E ¾"	2 BSP G	2 MANUAL OVERRIDE
	F 1"	3 NPT	
	G 1¼"	4 FLANGED (PN16 STD)	
	H 1½"		
	J 2"		

Body Material	Seals	Style
1 Brass (standard on valves up to and including 1")	E PTFE	1 Standard
2 Bronze (standard on valves above 1")		
5 316 Stainless Steel (option available up to and inc 1")		

#### Coil options

Enclosure	Voltage / Frequency	Electrical Connection
1 Weather proof IP65	A1 230 V / 50 Hz	1 Din plug 9 mm
	A2 110 V / 50 Hz & 120 V / 50 Hz	
	A3 24 V / 50 Hz	
	A7 220 V / 50 Hz	
	B2 24 VDC	
B3 12 VDC		
B5 110 VDC		

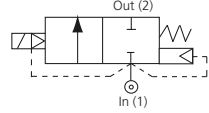
22	•	•	•	Z	•	E	1	-	1	••	1
----	---	---	---	---	---	---	---	---	---	----	---

#### Product coding example:

22D11Z1E1-1A11 - ACPX Series  
½" B521, auto operation, brass body, PTFE seals, 230 V / 50 Hz DIN Plug 9 mm.

# UACPX Series (USA)

## Steam – 2/2 Normally Closed

Specifications	
<b>Mode of Operation</b>	Normally closed, energise to open 
<b>Maximum Viscosity</b>	115 SSU
<b>3/8" - 1" Body Material (Std)</b>	Brass (Std) or Stainless Steel option
<b>1 1/4" - 2" Body Material (Std)</b>	Bronze (Std)
<b>Flange Tube</b>	Stainless Steel
<b>Plunger and top stop</b>	Stainless Steel
<b>Springs</b>	Stainless Steel
<b>Seal Material</b>	PTFE
<b>Connection Type</b>	NPT
<b>Shading Ring</b>	Copper (std), Silver (stainless steel option)
Electrical Characteristics	
<b>Coil Voltage DC (=)</b>	12 V, 24 V
<b>Coil Voltage AC 60 Hz (-)</b>	24 V, 120 V
<b>Voltage Tolerance</b>	+10% or -10%
<b>Duty Cycle</b>	100% ED
<b>Electrical Connection options</b>	1/2" NPT metal conduit hub with 18" leads (NEMA 2 equivalent protection class)
<b>Coil Insulation</b>	Class H
<b>Power Rating</b>	14.5 Watts

### Features and Benefits

- Heavy Duty Valve Design
- Piston Operation
- Wide temperature range capabilities
- Choice of valve body material seals
- Tested in accordance with BS-EN 12266-1



Port Size	Cv	Kv	OPD (psi)		P. Max <sup>2</sup> psi	Orifice (mm)	Weight (lbs)
			AC Voltages	DC Voltages			
1/2"	4.9	4.2	5-125	5-70	725	16.0	2.8
3/4"	6.3	5.4	5-125	5-70		16.0	2.8
1"	8.2	7.1	5-125	5-70		25.0	5
1 1/4"	20.9	18	5-125	5-70		30.0	6.8
1 1/2"	20.9	18	5-125	5-70		30.0	6.8
2"	24.4	21	5-125	5-70		32.0	11.5

<sup>2</sup> P. Max is limited to 675 psi when valve is fitted with an Exd solenoid operator.

### Options Available

Solenoid Enclosure	
<b>Protection Class</b>	
EExd T6 (NEMA 6 equivalent)	Consult Rotork Midland for product codes
EExd T4 (NEMA 6 equivalent)	

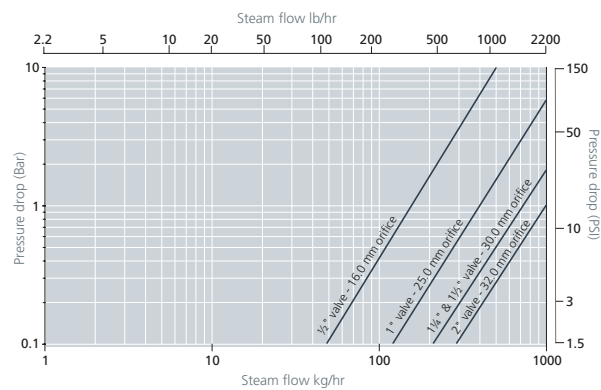
Seal Material <sup>1</sup> and Media Temp. Range	Ambient Temperature Range	
	Min	Max
PTFE (-328 °F to +356 °F)	14 °F	122 °F

<sup>1</sup> See corrosion reference guide and sealing solutions for material compatibility.

Main Valve Body Options
Stainless Steel 316 (up to and including 1")
Oxygen Cleaning (consult factory for product code)
Stainless Steel Tagging (consult factory for product code)

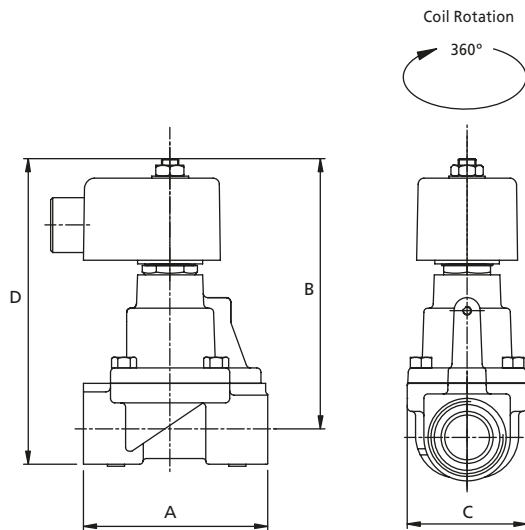
### How to use the flow chart

1. Select the required flow.
2. Note the corresponding pressure drop.
3. Based on where the two points intersect select the most appropriate model.

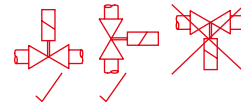


# UACPX Series (USA)

Steam – 2/2 Normally Closed



Preferred Valve Mounting Options



## Dimensions

Port size	A	B	C	D
3/4"	2 1/2"	4 1/8"	2 1/4"	4 13/16"
1"	4 1/4"	4 15/16"	3"	5 3/4"
1 1/4" - 1 1/2"	4 5/8"	5 1/4"	3 3/4"	8 1/4"
2"	5 3/4"	5 3/4"	4"	8 1/4"

Dimensions given in inches

## Solenoid enclosures



### S4 Type enclosure protection class IP50

- External material: Pressed steel powder coated
- Electrical entry: 1/2" NPT metal conduit hub with 18" leads (NEMA 2 equivalent protection class)
- Winding Insulation: Class H

## Coding chart

### Main Valve Assembly

Model	Valve Body Conn. Size	Conn. Type	Operation	Orifice (mm)	Body Material	Seals	Style	
22	UACPX	D 1/2" E 3/4" F 1" G 1 1/4" H 1 1/2" J 2"	3 NPT	1 AUTO	Z Default	1 Brass (standard on valves up to and including 1") 2 Bronze (standard on valves above 1") 5 316 Stainless Steel (option available up to and inc. 1")	E PTFE	1 Standard

### Coil options

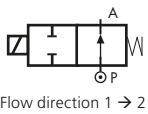
Enclosure	Voltage / Frequency	Electrical connection	Approval
2 S4 type enclosure -metal can (IP50) UL Approved	F1 24 VDC F4 12 VDC H1 24 V / 60 Hz H2 120 V / 60 Hz	9 1/2" NPT	A UL/CSA

### Product coding example:

22D31Z1E1-2H29A: UACPX Series  
1/2" NPT, Auto, Brass body, PTFE seals, 120 V / 60 Hz, 1/2" NPT electrical connection UL/CSA approval.

# RD236DL Series

## Steam – 2/2 Normally Open

Specifications	
Function (single acting)	 <p>Flow direction 1 → 2</p>
Maximum Viscosity	Max. 21cST (3 °E)
Body Material (Std)	Brass CW617N (EN 12165)
Orifice Material	Stainless Steel 1.4305 EN 10088 (AISI 303)
Flange Tube (Seamless)	Stainless Steel 1.4305 EN 10088 (AISI 303)
Plunger	Stainless Steel 1.4106 EN 10088 (AISI 430F)
Top Stop	Stainless Steel 1.4105 EN 10088 (AISI 430F)
Springs	Stainless Steel AISI 302
Seal Material (Std)	Sigodur (filled PTFE)
Connection Type (Std)	G parallel thread (ISO 228-1)
Shading Ring	Copper
Electrical Characteristics	
Standard Coil Voltage DC (=)	24 V
Standard Coil Voltage AC 50 Hz (-)	24 V, 110 V, 200 V, 230 V
Standard Coil Voltage AC 60 Hz (-)	24 V, 120 V, 220 V, 240 V
Voltage Tolerance	+10% to -15% (AC)
	+10% to -5% (DC)
Duty Cycle	100% ED
Protection Class	IP65 (EN 60529) with plug and gasket correctly fitted *
Electrical Connection	to EN 175301 - 803 - A (ex DIN 43650)
Coil Insulation	Class H 180 °C
Power Rating (Standard)	AC 18 VA (holding) AC 36 VA (inrush) DC 14 W

### Features and Benefits

- Direct Acting
- Robust construction for industrial applications
- Zero pressure rated
- Stainless steel AISI 430F operators with low residual magnetism
- Manufactured in compliance to RoHS directive and to relevant international standards
- High quality seal materials
- Response time 5 to 25 ms



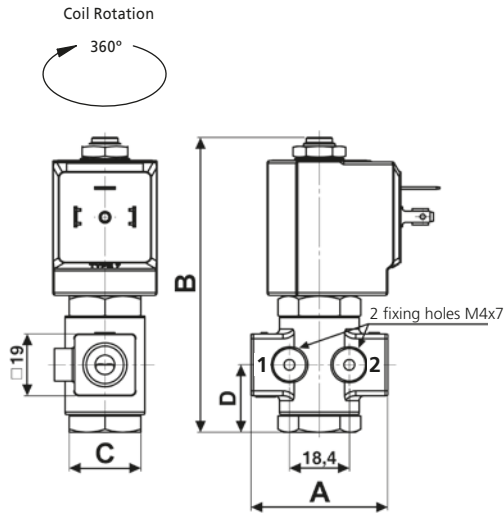
Pipe Size	Cv (gpm)	Kv (m³/h)	OPD (bar)		Orifice (mm)	Seal Material	Valve Code
			AC Voltages	DC Voltages			
¼"	0.04	0.03	0 - 9	0 - 9	1.0	filled PTFE	RD236DLA
¼"	0.09	0.08	0 - 9	0 - 9	1.5	filled PTFE	RD236DLC
¼"	0.14	0.12	0 - 9	0 - 9	2.0	filled PTFE	RD236DLE
¼"	0.25	0.21	0 - 9	0 - 9	3.0	filled PTFE	RD236DLH

Seal Material <sup>1</sup> and Media Temperature Range	Media	Ambient Temperature Range	
		Min	Max
Filled PTFE (-10 °C to +180 °C)	Steam	-10 °C	+70 °C

<sup>1</sup> See corrosion reference guide and sealing solutions for material compatibility.

# RD236DL Series

Steam – 2/2 Normally Open



Preferred Valve Mounting Options



Pipe Size	A	B	C	D	Weight (kg)
¼"	47	91	Hex 22	20.75	0.25

Dimensions (mm)

## Solenoid enclosures

### 7--1 Type Coil - Insulation class H

External material: PPS (fibreglass & mineral filled)  
 Electrical connection: DIN EN 175301-803 form A  
 Winding insulation: Class H (E180)  
 Enclosure classification: Conforms to IP65 (according to EN 60529) with plug and gasket correctly fitted\*



\* Plug and gasket not supplied as standard, must be ordered separately.

### Type 600 011- Plug

Rated Voltage (max.): 250 VAC / 300 VDC  
 Nominal Current: 10A (rated) / 16A (max)  
 Wire cross-section: 1.5 mm<sup>2</sup> max  
 Cable Entry: PG9 (6 to 8 mm)  
 Enclosure classification: Conforms to IP65 (according to EN 60529) with supplied gasket  
 Insulation class: group C- VDE 0110  
 Housing colour: black  
 UL approved, file No: E205538

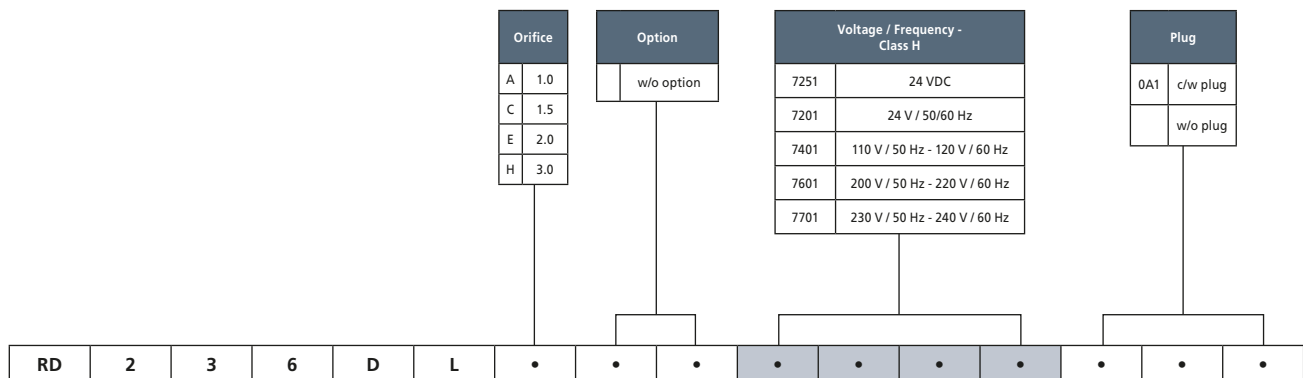


## Coding chart

### Main Valve Assembly

### Coil options

### Plug



### Product coding example:

RD236DLE 7251  
 ¼" G, auto operation, brass body, filled PTFE seals, 2.0 mm orifice, 24 VDC, without plug.

# RD236 Series (USA)

## Steam – 2/2 Normally Open

Specifications	
Function (single acting)	<p>Flow direction 1 → 2</p>
Maximum Viscosity	Max. 21cST (3 °E)
Body Material (Std)	Brass C37700 (UNS Designation)
Orifice Material	Stainless Steel AISI 303 (1.4305 EN 10088)
Flange Tube (seamless)	Stainless Steel AISI 303 (1.4305 EN 10088)
Plunger	Stainless Steel AISI 430F (1.4106 EN 10088)
Top Stop	Stainless Steel AISI 430F (1.4105 EN 10088)
Springs	Stainless Steel AISI 302
Seal Material (Std)	Sigodur (filled PTFE)
Connection Type (Std)	G parallel thread (ISO 228-1)
Shading Ring	Copper
Electrical Characteristics <sup>1</sup>	
Standard Coil Voltage DC (=)	24 V
Standard Coil Voltage AC 50 Hz (-)	24 V, 110 V, 200 V, 230 V
Standard Coil Voltage AC 60 Hz (-)	24 V, 120 V, 220 V, 240 V
Voltage Tolerance	+10% to -15% (AC)
	+10% to -5% (DC)
Duty Cycle	100% ED
Enclosure Classification	NEMA type 4 (UL 50) and IP65 (EN 60529) with plug and gasket correctly fitted *
Electrical Connection	to EN 175301 - 803 - A (ex DIN 43650)
Coil Insulation Class	180 (H) to EN 60730-1
Power Rating (Standard)	AC 18 VA (holding) AC 36 VA (inrush) DC 14 W

<sup>1</sup> These coils are not UL approved.

### Features and Benefits

- Direct Acting
- Robust construction for industrial applications
- Zero pressure rated
- Stainless steel AISI 430F operators with low residual magnetism
- High quality seal materials
- Response time 5 to 25 ms



Pipe Size	Cv (gpm)	Kv (m <sup>3</sup> /h)	OPD psi (bar) <sup>2</sup>		Orifice inches (mm)	Seal Material	Valve Code
			AC Voltages	DC Voltages			
¼"	0.04	0.03	0 - 131 (0 - 9)	0 - 131 (0 - 9)	3/64 (1.0)	filled PTFE	RD236DLA
¼"	0.09	0.08	0 - 131 (0 - 9)	0 - 131 (0 - 9)	1/16 (1.5)	filled PTFE	RD236DLC
¼"	0.14	0.12	0 - 131 (0 - 9)	0 - 131 (0 - 9)	5/64 (2.0)	filled PTFE	RD236DLE
¼"	0.25	0.21	0 - 131 (0 - 9)	0 - 131 (0 - 9)	1/8 (3.0)	filled PTFE	RD236DLH

<sup>2</sup> The valve supplied carry a nameplate with pressure ratings marked in bar.

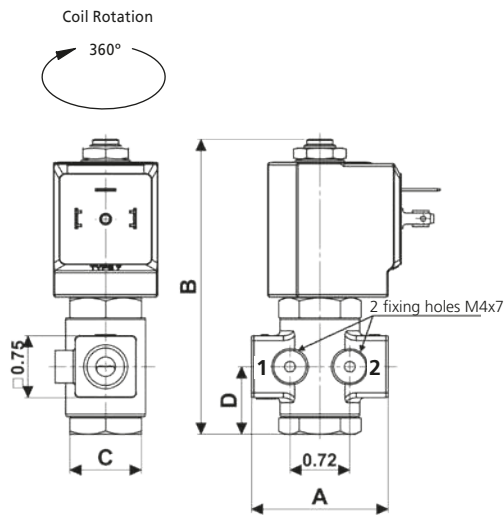
### Options Available

Seal Material <sup>3</sup> and Media Temperature Range	Media	Ambient Temperature Range	
		Min	Max
Filled PTFE 14 °F to 356 °F (-10 °C to +180 °C)	Steam	14 °F (-10 °C)	158 °F (+70 °C)

<sup>3</sup> See corrosion reference guide and sealing solutions for material compatibility.

# RD236 Series (USA)

Steam – 2/2 Normally Open



Preferred Valve Mounting Options



Pipe Size	A	B	C	D	Weight Lb (kg)
¼" G	1.85 (47)	2.58 (91)	HEX 22 (22)	0.82 (20.75)	0.55 (0.25)

Dimensions inches (mm)

## Solenoid enclosures

### 7--1 Type Coil - Insulation class H

- External material: PPS (fibreglass & mineral filled)
- Electrical connection: DIN EN 175301-803 form A
- Winding insulation: Class H (E180)
- Enclosure classification: Conforms to NEMA type 4 (UL 50) and IP65 (according to EN 60529) with plug and gasket correctly fitted\*



\* Plug and gasket not supplied as standard, must be ordered separately.

### Type 600 011- Plug

- Rated Voltage (max.): 250 VAC / 300 VDC
- Nominal Current: 10A (rated) / 16A (max)
- Wire cross-section: 0.0023 inch<sup>2</sup> max (1.5 mm<sup>2</sup> max)
- Cable Entry: PG9 (0.24 to 0.31 inch / 6 to 8 mm)
- Enclosure classification: Conforms to IP65 (according to EN 60529) with supplied gasket
- Insulation class: group C- VDE 0110
- Housing colour: black
- UL approved, file No: E205538

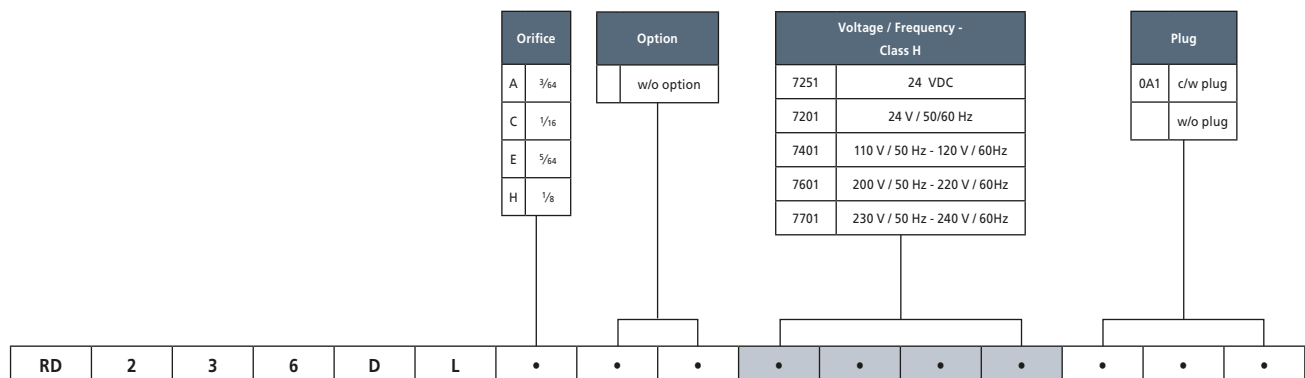


## Coding chart

### Main Valve Assembly

### Coil options

### Plug



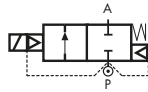
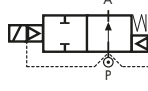
### Product coding example:

RD236DLE 7251  
¼" G, auto operation, brass body, filled PTFE seals, 5/64 orifice, 24 VDC, without plug.



# D606/622 Series – 2/2 NC & RD606/622 Series – 2/2 NO

Steam

Specifications	
Function NC (single acting)	 Flow direction overseat 1 → 2
Function NO (single acting)	 Flow direction overseat 1 → 2
Maximum Viscosity	Max. 21cST (3 °E)
Body Material (Std)	Brass CW617N (EN 12165)
Orifice Material	Stainless Steel 1.4305 EN 10088 (AISI 303)
Flange Tube (Seamless)	Stainless Steel 1.4305 EN 10088 (AISI 303)
Plunger	Stainless Steel 1.4106 EN 10088 (AISI 430F)
Top Stop	Stainless Steel 1.4105 EN 10088 (AISI 430F)
Springs	Stainless Steel AISI 302
Seal Material (Std)	PTFE
Connection Type (Std)	G parallel thread (ISO 228-1)
Shading Ring	Copper
Electrical Characteristics	
Standard Coil Voltage DC (=)	12V, 24 V
Standard Coil Voltage AC 50 Hz (-)	24 V, 110 V, 200 V, 230 V
Standard Coil Voltage AC 60 Hz (-)	24 V, 120 V, 220 V, 240 V
Voltage Tolerance	+10% to -15% (AC)
	+10% to -5% (DC)
Duty Cycle	100% ED
Protection Class	IP65 (EN 60529) with plug and gasket correctly fitted *
Electrical Connection	to EN 175301 - 803 - A (ex DIN 43650)
Coil Insulation	Class H 180 °C
Power Rating (Standard)	AC 18 VA (holding) AC 36 VA (inrush) DC 14 W

## Features and Benefits

- Direct Acting
- Robust construction for industrial application
- Zero pressure rated
- Stainless steel AISI 430F operators with low residual magnetism
- Manufactured in compliance to RoHS directive and to relevant international standards
- High quality seal material
- Response time 5 to 25 ms



Pipe Size	Cv (gpm)	Kv (m³/h)	OPD (bar)		Orifice (mm)	Seal Material	Valve Code
			AC Voltages	DC Voltages			
¾"	8.42	7.20	1 - 9	1 - 9	24	PTFE	D606DIY
¾"	8.42	7.20	1 - 9	1 - 9	24	PTFE	RD606DIY
1"	8.42	7.20	1 - 9	1 - 9	24	PTFE	D622DIY
1"	8.42	7.20	1 - 9	1 - 9	24	PTFE	RD622DIY

## Options Available

Valve Options (see coding chart)
NPT threads (minimum batch may be required)

Seal Material <sup>1</sup> and Media Temperature Range	Media <sup>2</sup>	Ambient Temperature Range	
		Min	Max
Filled PTFE (+80 °C <sup>3</sup> to +180 °C)	Steam	-10 °C	+70 °C

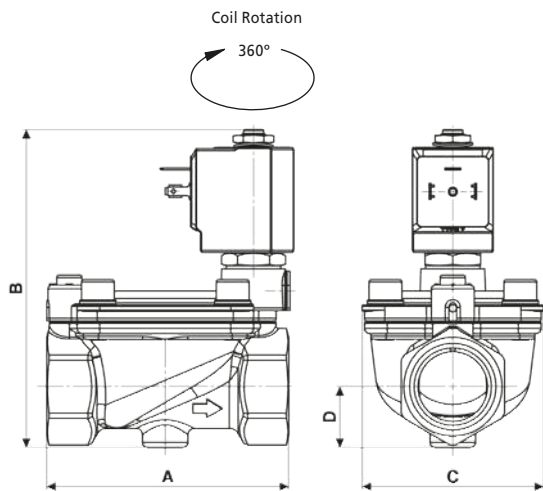
<sup>1</sup> See corrosion reference guide and sealing solutions for material compatibility.

<sup>2</sup> Water and high content of condensate can damage the diaphragm.

<sup>3</sup> For a correct functioning, the minimum working temperature of the solenoid valve cannot be below +80 °C.

# D606/622 Series – 2/2 NC & RD606/622 Series – 2/2 NO

Steam



Preferred Valve Mounting Options



Pipe Size	A	B	C	D	Weight (kg)
3/4" - 1"	96	126	72	24	1.3

Dimensions (mm)

## Solenoid enclosures

### 7--1 Type Coil - Insulation class H

External material: PPS (fibreglass & mineral filled)  
 Electrical connection: DIN EN 175301-803 form A  
 Winding insulation: Class H (E180)  
 Enclosure classification: Conforms to IP65 (according to EN 60529) with plug and gasket correctly fitted\*



\* Plug and gasket not supplied as standard, must be ordered separately.

### Type 600 011- Plug

Rated Voltage (max.): 250 VAC / 300 VDC  
 Nominal Current: 10A (rated) / 16A (max)  
 Wire cross-section: 1.5 mm<sup>2</sup> max  
 Cable Entry: PG9 (6 to 8 mm)  
 Enclosure classification: Conforms to IP65 (according to EN 60529) with supplied gasket  
 Insulation class: group C- VDE 0110  
 Housing colour: black  
 UL approved, file No: E205538



## Coding chart

### Main Valve Assembly

Valve Type	
D	NC
RD	NO

Pipe Size	
06	3/4"
22	1"

Option	
N	NPT
	w/o option

### Coil options

Voltage / Frequency - Class H	
7151	12 VDC
7251	24 VDC
7201	24 V / 50/60 Hz
7401	110 V / 50 Hz - 120 V / 60 Hz
7601	200 V / 50 Hz - 220 V / 60 Hz
7701	230 V / 50 Hz - 240 V / 60 Hz

### Plug

Plug	
0A1	c/w plug
	w/o plug

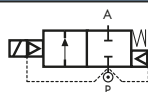


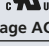



## Product coding example:

D606DTY 7251  
 3/4" G, auto operation, brass body, PTFE seals, 1.5 mm orifice, 24 VDC, without plug.

# D606/622 Series (USA)

## Steam – 2/2 Normally Closed

Specifications	
Function NC (single acting)	 <p>Flow direction overseat 1 → 2</p>
Maximum Viscosity	Max. 21cST (3 °E)
Body Material (Std)	Brass C37700 (UNS Designation)
Orifice Material	Stainless Steel AISI 303 (1.4305 EN 10088)
Flange Tube (seamless)	Stainless Steel AISI 303 (1.4305 EN 10088)
Plunger	Stainless Steel AISI 430F (1.4106 EN 10088)
Top Stop	Stainless Steel AISI 430F (1.4105 EN 10088)
Springs	Stainless Steel AISI 302
Seal Material (Std)	PTFE
Connection Type	NPT
Shading Ring	Copper
Electrical Characteristics	
 Coil Voltage DC (–)	24 V
 Coil Voltage AC 50 Hz (–)	24 V, 110 V, 230 V
 Coil Voltage AC 60 Hz (–)	120 V, 240 V
Voltage Tolerance	+10% to -15% (AC)
	+10% to -5% (DC)
Duty Cycle	100% ED
Enclosure Classification	NEMA type 4 (UL 50) and IP65 (EN 60529) with plug and gasket correctly fitted *
Electrical Connection	to EN 175301 - 803 - A (ex DIN 43650)
Coil Insulation Class	180 (H) to UL429 and to EN 60730-1
Power Rating (  Coils)	AC 15 VA (holding) AC 30 VA (inrush) DC 10 W

### Features and Benefits

- Direct Acting
- Robust construction for industrial applications
- Zero pressure rated
- Stainless steel AISI 430F operators with low residual magnetism
- High quality seal material
- Response time 5 to 25 ms



Pipe Size	Cv (gpm)	Kv (m³/h)	OPD psi (bar)		Orifice inches (mm)	Seal Material	Valve Code
			AC Voltages	DC Voltages			
¾	8.42	7.20	14.5 - 131 (1 - 9)	14.5 - 131 (1 - 9)	61/64 (24)	PTFE	D606DIYN
1	8.42	7.20	14.5 - 131 (1 - 9)	14.5 - 131 (1 - 9)	61/64 (24)	PTFE	D622DIYN

### Options Available

Valve Options (see coding chart)
G parallel thread (ISO 228-1)
CE coils, power DC 14W - AC 18 VA

Seal Material <sup>1</sup> and Media Temperature Range	Media <sup>2</sup>	Ambient Temperature Range	
		Min	Max
Filled PTFE 176 °F <sup>3</sup> to 356 °F (+80 °C <sup>3</sup> to +180 °C)	Steam	14 °F (-10 °C)	158 °F (+70 °C)

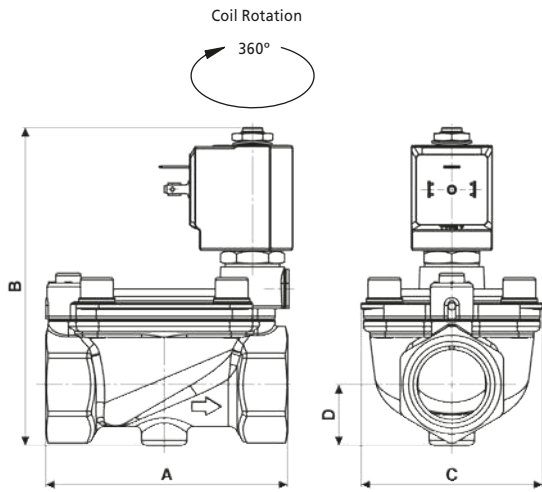
<sup>1</sup> See corrosion reference guide and sealing solutions for material compatibility.

<sup>2</sup> Water and high content of condensate can damage the diaphragm.

<sup>3</sup> For a correct functioning, the minimum working temperature of the solenoid valve cannot be below 356 °F (+80 °C).

# D606/622 Series (USA)

Steam – 2/2 Normally Closed



Preferred Valve Mounting Options



Pipe Size	A	B	C	D	Weight Lb (kg)
3/4" - 1"	3.78 (96)	4.96 (126)	2.83 (72)	0.94 (24)	2.87 (1.3)

Dimensions inches (mm)

## Solenoid enclosures

### 7--H c us Type Coil - Insulation class H

External material: PET 530HTE Rynite®  
 Electrical connection: DIN EN 175301-803 form A  
 Winding insulation: Class H (Al210)  
 Enclosure classification: Conforms to NEMA type 4 (UL 50) and IP65 (according to EN 60529) with plug and gasket correctly fitted\*  
 UL approved, file No: E193928



\* Plug and gasket not supplied as standard, must be ordered separately.

### Type 600 011- Plug

Rated Voltage (max.): 250 VAC / 300 VDC  
 Nominal Current: 10A (rated) / 16A (max)  
 Wire cross-section: 0.0023 inch<sup>2</sup> max (1.5 mm<sup>2</sup> max)  
 Cable Entry: PG9 (0.24 to 0.31 inch / 6 to 8 mm)  
 Enclosure classification: Conforms to IP65 (according to EN 60529) with supplied gasket  
 Insulation class: group C- VDE 0110  
 Housing colour: black  
 UL approved, file No: E205538




## Coding chart

### Main Valve Assembly

Pipe Size	
06	3/4
22	1

Thread Pipe	Option
N NPT	w/o option
GAS	

### Coil options

Voltage / Frequency - c  us Type, Class H	
725H	24 VDC
720H	24 V / 50 Hz
740H	110 V / 50 Hz - 120 V / 60 Hz
770H	230 V / 50 Hz - 240 V / 60 Hz

Voltage / Frequency - CE Type, Class H	
725I	24 VDC
720I	24 V / 50/60 Hz
740I	110 V / 50 Hz - 120 V / 60 Hz
770I	230 V / 50 Hz - 240 V / 60 Hz

### Plug

Plug	
0A1	c/w plug
	w/o plug

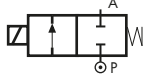
D	6	.	.	D	T	Y	N	.	.	.	.	.	.	.	.	.
---	---	---	---	---	---	---	---	---	---	---	---	---	---	---	---	---

## Product coding example:

D606DTYN 725H  
 3/4 NPT, auto operation, brass body, PTFE seals, 6/64 orifice, 24 VDC, without plug.

# D211 Series

## Dry Armature – 2/2 Normally Closed

Specifications	
Function (single acting)	
Maximum Viscosity	Max. 21cST (3 °E)
Body Material (Std)	Brass CW617N (EN 12165)
Orifice Material	Stainless Steel 1.4305 EN 10088 (AISI 303)
Flange Tube (Seamless)	Stainless Steel 1.4305 EN 10088 (AISI 303)
Plunger	Stainless Steel 1.4106 EN 10088 (AISI 430F)
Top Stop	Stainless Steel 1.4105 EN 10088 (AISI 430F)
Springs	Stainless Steel AISI 302
Seal Material (Std)	Silicone FDA compliant
Connection Type (Std)	G parallel thread (ISO 228-1)
Shading Ring	Copper
Electrical Characteristics	
Standard Coil Voltage DC (=)	24 V
Standard Coil Voltage AC 50 Hz (-)	24 V, 110 V, 200 V, 230 V
Standard Coil Voltage AC 60 Hz (-)	24 V, 120 V, 220 V, 240 V
Voltage Tolerance	+10% to -15% (AC)
	+10% to -5% (DC)
Duty Cycle	100% ED
Protection Class	IP65 (EN 60529) with plug and gasket correctly fitted *
Electrical Connection	to EN 175301 - 803 - A (ex DIN 43650)
Coil Insulation	Class F 155 °C
Power Rating (Standard)	AC 18 VA (holding) AC 36 VA (inrush) DC 14 W

### Features and Benefits

- Direct Acting
- Robust construction for industrial applications
- Zero pressure rated
- Stainless steel AISI 430F operators with low residual magnetism
- Manufactured in compliance to RoHS directive and to relevant international standards
- High quality seal material
- Total separation between internal parts and medium
- Response time 5 to 25 ms



Pipe Size	Cv (gpm)	Kv (m³/h)	OPD (bar)		Orifice (mm)	Seal Material	Valve Code
			AC Voltages	DC Voltages			
3/8"	see flow chart		0 - 0.3	-	10.5	Silicone FDA	D211D5U
3/8"			-	0 - 0.2	10.5	Silicone FDA	CD211D5U

Seal Material <sup>1</sup> and Media Temperature Range	Media	Ambient Temperature Range	
		Min	Max
Silicone FDA compliant (-10 °C to +95 °C)	Water and beverages	-10 °C	+50 °C

<sup>1</sup> See corrosion reference guide and sealing solutions for material compatibility.

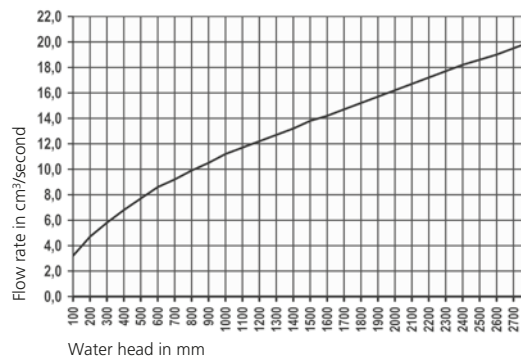
### Options Available

Valve Options (see coding chart)
Electroless nickel plating

### How to use the flow chart

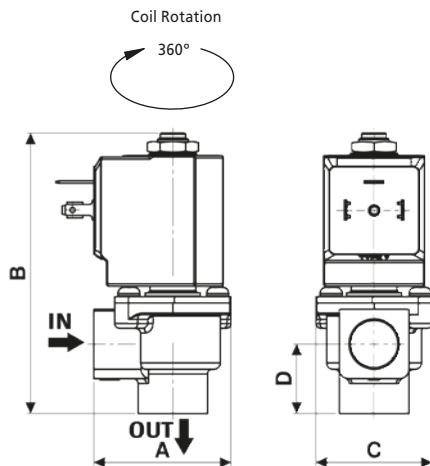
1. Select the required flow.
2. Note the corresponding pressure drop.
3. Based on where the two points intersect select the most appropriate model.

### Flow chart



# D211 Series

## Dry Armature – 2/2 Normally Closed



Preferred Valve Mounting Options



Pipe Size	A	B	C	D	Weight (kg)
3/8"	43.4	88.8	36	22	0.34

Dimensions (mm)

### Solenoid enclosures

#### 7--0 Type Coil - Insulation class F

External material: PBT (reinforced fibreglass 30%)  
 Electrical connection: DIN EN 175301-803 form A  
 Winding insulation: Class H (E180)  
 Enclosure classification: Conforms to IP65 (according to EN 60529) with plug and gasket correctly fitted\*



#### Type 600 011- Plug

Rated Voltage (max.): 250 VAC / 300 VDC  
 Nominal Current: 10A (rated) / 16A (max)  
 Wire cross-section: 1.5 mm<sup>2</sup> max  
 Cable Entry: PG9 (6 to 8 mm)  
 Enclosure classification: Conforms to IP65 (according to EN 60529) with supplied gasket  
 Insulation class: group C- VDE 0110  
 Housing colour: black  
 UL approved, file No: E205538



\* Plug and gasket not supplied as standard, must be ordered separately.

### Coding chart

#### Main Valve Assembly

Valve Type	
D	AC
CD	DC

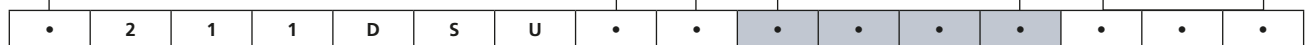
Option	
K	Electroless nickel plating
	w/o option

#### Coil options

Voltage / Frequency - Class F	
7250	24 VDC
7200	24 V / 50/60 Hz
7400	110 V / 50 Hz - 120 V / 60 Hz
7600	200 V / 50 Hz - 220 V / 60 Hz
7700	230 V / 50 Hz - 240 V / 60 Hz

#### Plug

Plug	
0A1	c/w plug
	w/o plug

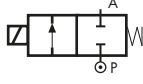


### Product coding example:

D211DSU 7250  
 3/8" G, auto operation, brass body, silicone FDA seals, 10.5 mm orifice, 24 VDC, without plug.

# D211 Series (USA)

## Dry Armature – 2/2 Normally Closed

Specifications	
Function (single acting)	
Maximum Viscosity	Max. 21cST (3 °E)
Body Material (Std)	Brass C37700 (UNS Designation)
Orifice Material	Stainless Steel AISI 303 (1.4305 EN 10088)
Flange Tube (seamless)	Stainless Steel AISI 303 (1.4305 EN 10088)
Plunger	Stainless Steel AISI 430F (1.4106 EN 10088)
Top Stop	Stainless Steel AISI 430F (1.4105 EN 10088)
Springs	Stainless Steel AISI 302
Seal Material (Std)	Silicone FDA compliant
Connection Type (Std)	G parallel thread (ISO 228-1)
Shading Ring	Copper
Electrical Characteristics <sup>1</sup>	
Standard Coil Voltage DC (=)	24 V
Standard Coil Voltage AC 50 Hz (-)	24 V, 110 V, 200 V, 230 V
Standard Coil Voltage AC 60 Hz (-)	24 V, 120 V, 220 V, 240 V
Voltage Tolerance	+10% to -15% (AC)
	+10% to -5% (DC)
Duty Cycle	100% ED
Enclosure Classification	NEMA type 4 (UL 50) and IP65 (EN 60529) with plug and gasket correctly fitted *
Electrical Connection	to EN 175301 - 803 - A (ex DIN 43650)
Coil Insulation Class	155 (F) to UL429 and to EN 60730-1
Power Rating (Standard)	AC 18 VA (holding)
	AC 36 VA (inrush) DC 14 W

<sup>1</sup> These coils are not UL approved.

### Features and Benefits

- Direct Acting
- Robust construction for industrial applications
- Zero pressure rated
- Stainless steel AISI 430F operators with low residual magnetism
- High quality seal material
- Total separation between internal parts and medium
- Response time 5 to 25 ms



Pipe Size	Cv (gpm)	Kv (m³/h)	OPD bar <sup>2</sup>		Orifice inches (mm)	Seal Material	Valve Code
			AC Voltages	DC Voltages			
3/8" G	see flow chart		0 - 0.3	-	13/32 (10.5)	Silicone FDA	D211D5U
3/8" G			-	0 - 0.2	13/32 (10.5)	Silicone FDA	CD211D5U

<sup>2</sup> This valve supplied with a nameplate with pressure ratings marked in bar.

Seal Material <sup>3</sup> and Media Temperature Range	Media	Ambient Temperature Range	
		Min	Max
Silicone FDA compliant 14 °F to 203 °F (-10 °C to +95 °C)	Water and beverages	14 °F (-10 °C)	122 °F (+50 °C)

<sup>3</sup> See corrosion reference guide and sealing solutions for material compatibility.

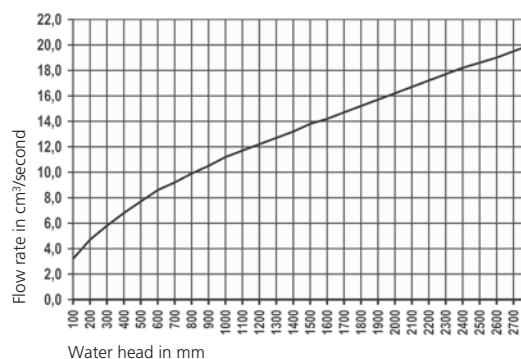
### Options Available

Valve Options (see coding chart)
Electroless nickel plating

### How to use the flow chart

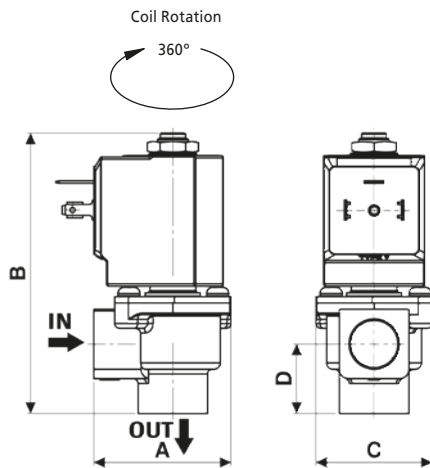
1. Select the required flow.
2. Note the corresponding pressure drop.
3. Based on where the two points intersect select the most appropriate model.

### Flow chart



# D211 Series (USA)

## Dry Armature – 2/2 Normally Closed



Preferred Valve Mounting Options



Pipe Size	A	B	C	D	Weight Lb (kg)
3/8" G	1.71 (43.4)	3.50 (88.8)	1.42 (36)	0.87 (22)	0.75 (0.34)

Dimensions inches (mm)

### Solenoid enclosures

#### 7--0 Type Coil - Insulation class F

External material: PBT (reinforced fibreglass 30%)  
 Electrical connection: DIN EN 175301-803 form A  
 Winding insulation: Class H (E180)  
 Enclosure classification: Conforms to NEMA type 4 (UL 50) and IP65 (according to EN 60529) with plug and gasket correctly fitted\*



\* Plug and gasket not supplied as standard, must be ordered separately.

#### Type 600 011- Plug

Rated Voltage (max.): 250 VAC / 300 VDC  
 Nominal Current: 10A (rated) / 16A (max)  
 Wire cross-section: 0.0023 inch<sup>2</sup> max (1.5 mm<sup>2</sup> max)  
 Cable Entry: PG9 (0.24 to 0.31 inch / 6 to 8 mm)  
 Enclosure classification: Conforms to IP65 (according to EN 60529) with supplied gasket  
 Insulation class: group C- VDE 0110  
 Housing colour: black  
 UL approved, file No: E205538



### Coding chart

#### Main Valve Assembly

Valve Type	
D	AC
CD	DC

#### Coil options

Option	
K	Electroless nickel plating
	w/o option

Voltage / Frequency - CE Type, Class F	
7250	24 VDC
7200	24 V / 50/60 Hz
7400	110 V / 50 Hz - 120 V / 60 Hz
7600	200 V / 50 Hz - 220 V / 60 Hz
7700	230 V / 50 Hz - 240 V / 60 Hz

#### Plug

Plug	
0A1	c/w plug
	w/o plug



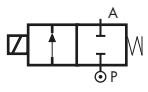
### Product coding example:

D211DSU 7250  
 3/8" G, auto operation, brass body, silicone FDA seals, 13/32 orifice, 24 VDC, without plug.



# D262/263 Series

## Vacuum – 2/2 Normally Closed

Specifications	
Function (single acting)	 <p>Flow direction overseat 1 → 2</p>
Maximum Viscosity	Max. 21cST (3 °E)
Body Material (Std)	Brass CW617N (EN 12165)
Orifice Material	Stainless Steel 1.4305 EN 10088 (AISI 303)
Flange	Stainless Steel 1.4305 EN 10088 (AISI 303)
Tube	Stainless Steel AISI 304
Plunger	Stainless Steel 1.4106 EN 10088 (AISI 430F)
Top Stop	Stainless Steel 1.4105 EN 10088 (AISI 430F)
Springs	Stainless Steel AISI 302
Seal Material (Std)	Foodgrade FKM
Connection Type (Std)	G parallel thread (ISO 228-1)
Shading Ring	Copper
Electrical Characteristics	
Standard Coil Voltage DC (=)	24 V
Standard Coil Voltage AC 50 Hz (-)	24 V, 110 V, 200 V, 230 V
Standard Coil Voltage AC 60 Hz (-)	24 V, 120 V, 220 V, 240 V
Voltage Tolerance	+10% to -15% (AC)
	+10% to -5% (DC)
Duty Cycle	100% ED
Protection Class	IP65 (EN 60529) with plug and gasket correctly fitted *
Electrical Connection	to EN 175301 - 803 - A (ex DIN 43650)
Coil Insulation	Class F 155 °C
Power Rating (Standard)	AC 18 VA (holding) AC 36 VA (inrush) DC 14 W

### Features and Benefits

- Direct Acting
- Robust construction for industrial applications
- Configuration suitable for vacuum
- Stainless steel AISI 430F operators with low residual magnetism
- Manufactured in compliance to RoHS directive and to relevant international standards
- Choice of high quality seal materials
- Response time 5 to 25 ms



### Valve manufactured in conformity of all regulation and law CE:

- EC 1935/2004
- EC 2023/2006
- EC 10/2011 and all subsequent amended and integration
- For metal alloy different from stainless steel included superficial treatment in absence of specific national or international rule the conformity is evaluated following clause 3 of regulation EC 1935/2004 using resolution of European council as guide: Metal and Alloys used in food contact 1<sup>st</sup> edition 2013
- Italian law: D.M. 174 06/04/2004 drinkable water
- Italian law: D.M. 21/03/1973 and all subsequent amended and integration

Pipe Size	Cv (gpm)	Kv (m³/h)	OPD (bar)		Orifice (mm)	Seal Material	Valve Code
			AC Voltages	DC Voltages			
¼"	0.04	0.03	-0.9 to 1	-0.9 to 1	1.0	FKM NBR	D263DVAL D263DBAL
¼"	0.09	0.08	-0.9 to 1	-0.9 to 1	1.5	FKM NBR	D263DVCL D263DBCL
¼"	0.24	0.20	-0.9 to 1	-0.9 to 1	2.5	FKM NBR	D263DVGL D263DBGL
¼"	0.32	0.27	-0.9 to 1	-0.9 to 1	3.0	FKM NBR	D263DVHL D263DBHL
¼"	0.42	0.36	-0.9 to 1	-0.9 to 1	4.0	FKM NBR	D263DVLL D263DBLL
¼"	0.53	0.45	-0.9 to 1	-0.9 to 1	5.0	FKM NBR	D263DVNL D263DBNL
¼"	0.56	0.48	-0.9 to 1	-0.9 to 1	6.0	FKM NBR	D263DVPL D263DBPL

### Options Available

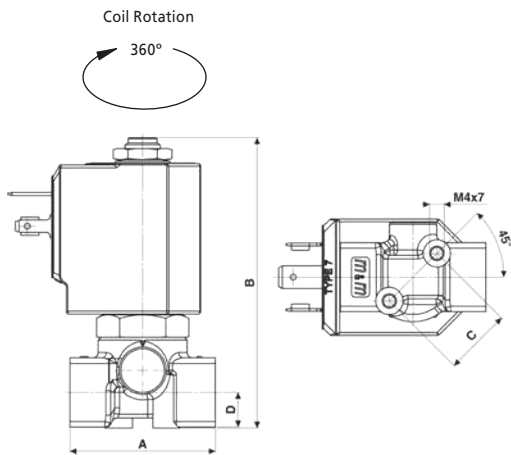
Valve Options (see coding chart)
Body threaded connection G ½"

Seal Material <sup>1</sup> and Media Temperature Range	Media	Ambient Temperature Range	
		Min	Max
FKM (-10 °C to +130 °C)	Water, oil, air	-10 °C	+50 °C
NBR (-10 °C to +90 °C)	Water, oil, air	-10 °C	+50 °C

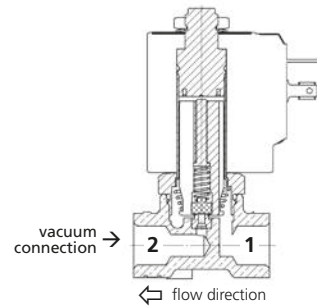
<sup>1</sup> See corrosion reference guide and sealing solutions for material compatibility. Other seals material on request.

# D262/263 Series

## Vacuum – 2/2 Normally Closed



### Connection scheme



### Preferred Valve Mounting Options



Pipe Size	A	B	C	D	Weight (kg)
1/8" - 1/4"	40	77.5	18.5	9.5	0.26

Dimensions (mm)

### Solenoid enclosures

#### 7--0 Type Coil - Insulation class F

- External material: PBT (reinforced fibreglass 30%)
- Electrical connection: DIN EN 175301-803 form A
- Winding insulation: Class H (E180)
- Enclosure classification: Conforms to IP65 (according to EN 60529) with plug and gasket correctly fitted\*



\* Plug and gasket not supplied as standard, must be ordered separately.

#### Type 600 011- Plug

- Rated Voltage (max.): 250 VAC / 300 VDC
- Nominal Current: 10A (rated) / 16A (max)
- Wire cross-section: 1.5 mm<sup>2</sup> max
- Cable Entry: PG9 (6 to 8 mm)
- Enclosure classification: Conforms to IP65 (according to EN 60529) with supplied gasket
- Insulation class: group C- VDE 0110
- Housing colour: black
- UL approved, file No: E205538



### Coding chart

#### Main Valve Assembly

Pipe Size	
2	1/8"
3	1/4"

Seals		Orifice	
V	FKM	A	1.0
B	NBR	C	1.5
		G	2.5
		H	3.0
		L	4.0
		N	5.0
		P	6.0

Option
w/o option

#### Coil options

Voltage / Frequency - Class F	
7250	24 VDC
7200	24 V / 50/60 Hz
7400	110 V / 50 Hz - 120 V / 60 Hz
7600	200 V / 50 Hz - 220 V / 60 Hz
7700	230 V / 50 Hz - 240 V / 60 Hz

#### Plug

Plug	
	w/o plug
0A1	c/w plug

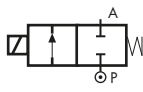




D	2	6	.	D	.	.	L	.	.	.	.	.	.	.	.	.
---	---	---	---	---	---	---	---	---	---	---	---	---	---	---	---	---

### Product coding example:

D263DBPL 7700  
1/4" G, auto operation, brass body, NBR seals, 6.0 mm orifice, 230 V / 50 Hz - 240 V / 60 Hz, without plug.

# D262/263 Series (USA)

## Vacuum – 2/2 Normally Closed

Specifications	
Function (single acting)	 <p>Flow direction overseat 1 → 2</p>
Maximum Viscosity	Max. 21cST (3 °E)
Body Material (Std)	Brass C37700 (UNS Designation)
Orifice Material	Stainless Steel AISI 303 (1.4305 EN 10088)
Flange	Stainless Steel AISI 303 (1.4305 EN 10088)
Tube	Stainless Steel AISI 304
Plunger	Stainless Steel AISI 430F (1.4106 EN 10088)
Top Stop	Stainless Steel AISI 430F (1.4105 EN 10088)
Springs	Stainless Steel AISI 302
Seal Material (Std)	Foodgrade FKM
Connection Type	NPT
Shading Ring	Copper
Electrical Characteristics	
 Coil Voltage DC (=)	24 V
 Coil Voltage AC 50 Hz (-)	24 V, 110 V, 230 V
 Coil Voltage AC 60 Hz (-)	120 V, 240 V
Voltage Tolerance	+10% to -15% (AC)
	+10% to -5% (DC)
Duty Cycle	100% ED
Enclosure Classification	NEMA type 4 (UL 50) and IP65 (EN 60529) with plug and gasket correctly fitted *
Electrical Connection	to EN 175301 - 803 - A (ex DIN 43650)
Coil Insulation Class	155 (F) to UL429 and to EN 60730-1
Power Rating  Coils	AC 15 VA (holding) AC 30 VA (inrush) DC 14 W

### Features and Benefits

- Direct Acting
- Robust construction for industrial applications
- Configuration suitable for vacuum
- Stainless steel AISI 430F operators with low residual magnetism
- Choice of high quality seal materials
- Response time 5 to 25 ms



Pipe Size	Cv (gpm)	Kv (m³/h)	OPD psi (bar)		Orifice inches (mm)	Seal Material	Valve Code
			AC Voltages	DC Voltages			
¼	0.04	0.03	-13.1 to 14.5 (-0.9 to 1)	-13.1 to 14.5 (-0.9 to 1)	3/64 (1.0)	FKM NBR	D263D $\checkmark$ ANL D263D $\checkmark$ BANL
¼	0.09	0.08	-13.1 to 14.5 (-0.9 to 1)	-13.1 to 14.5 (-0.9 to 1)	1/16 (1.5)	FKM NBR	D263D $\checkmark$ CNL D263D $\checkmark$ B $\checkmark$ CNL
¼	0.24	0.20	-13.1 to 14.5 (-0.9 to 1)	-13.1 to 14.5 (-0.9 to 1)	3/32 (2.5)	FKM NBR	D263D $\checkmark$ GNL D263D $\checkmark$ B $\checkmark$ GNL
¼	0.32	0.27	-13.1 to 14.5 (-0.9 to 1)	-13.1 to 14.5 (-0.9 to 1)	1/8 (3.0)	FKM NBR	D263D $\checkmark$ HNL D263D $\checkmark$ B $\checkmark$ HNL
¼	0.42	0.36	-13.1 to 14.5 (-0.9 to 1)	-13.1 to 14.5 (-0.9 to 1)	5/32 (4.0)	FKM NBR	D263D $\checkmark$ LNL D263D $\checkmark$ B $\checkmark$ LNL
¼	0.56	0.48	-13.1 to 14.5 (-0.9 to 1)	-13.1 to 14.5 (-0.9 to 1)	15/64 (6.0)	FKM NBR	D263D $\checkmark$ PNL D263D $\checkmark$ B $\checkmark$ PNL

### Options Available

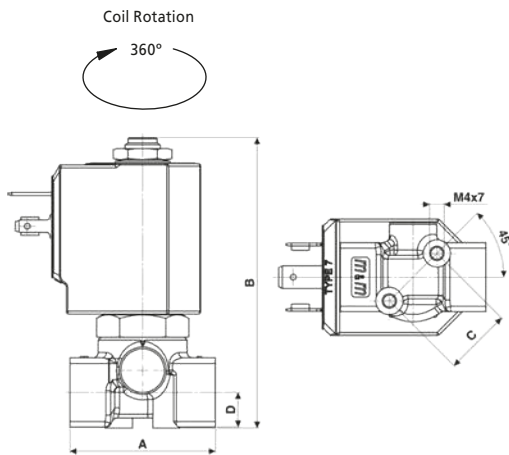
Valve Options (see coding chart)
Body threaded connection 1/8
G parallel thread (ISO 228-1)
CE coils, power DC 14W - AC 18 VA

Seal Material <sup>1</sup> and Media Temperature Range	Media	Ambient Temperature Range	
		Min	Max
FKM 14 °F to 266 °F (-10 °C to +130 °C)	Water, oil, air	14 °F (-10 °C)	122 °F (+50 °C)
NBR 14 °F to 194 °F (-10 °C to +90 °C)	Water, oil, air	14 °F (-10 °C)	122 °F (+50 °C)

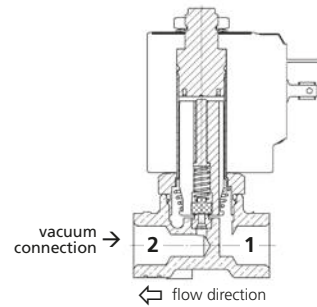
<sup>1</sup> See corrosion reference guide and sealing solutions for material compatibility. Other seals material on request.

# D262/263 Series (USA)

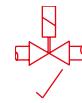
Vacuum – 2/2 Normally Closed



## Connection scheme



Preferred Valve Mounting Options



Pipe Size	A	B	C	D	Weight Lb (kg)
1/8 - 1/4	1.57 (40)	3.05 (77.5)	0.73 (18.5)	0.37 (9.5)	0.57 (0.26)

Dimensions inches (mm)

## Solenoid enclosures

### 7--R cULus Type Coil - Insulation class F

- Encapsulation material: PET 815ER Rynite®
- Electrical connection: DIN EN 175301-803 form A
- Winding insulation: Class H (P180)
- Enclosure classification: Conforms to NEMA type 4 (UL 50) and IP65 (according to EN 60529) with plug and gasket correctly fitted\*
- UL approved, file No: E193928



### Type 600 011- Plug

- Rated Voltage (max.): 250 VAC / 300 VDC
- Nominal Current: 10A (rated) / 16A (max)
- Wire cross-section: 0.0023 inch<sup>2</sup> max (1.5 mm<sup>2</sup> max)
- Cable Entry: PG9 (0.24 to 0.31 inch / 6 to 8 mm)
- Enclosure classification: Conforms to IP65 (according to EN 60529) with supplied gasket
- Insulation class: group C- VDE 0110
- Housing colour: black
- UL approved, file No: E205538



\* Plug and gasket not supplied as standard, must be ordered separately.

## Coding chart

### Main Valve Assembly

Pipe Size		Seals		Orifice		Thread Pipe	
2	1/8	V	FKM	A	3/64	N	NPT
3	1/4	B	NBR	C	1/16		GAS
				G	3/32		
				H	1/8		
				L	5/32		
				P	15/64		

### Coil options

Voltage / Frequency - cULus Type, Class F	
725R	24 VDC
720R	24 V / 50 Hz
740R	110 V / 50 Hz - 120 V / 60 Hz
770R	230 V / 50 Hz - 240 V / 60 Hz

Voltage / Frequency - CE Type, Class F	
7250	24 VDC
7200	24 V / 50/60 Hz
7400	110 V / 50 Hz - 120 V / 60 Hz
7600	200 V / 50 Hz - 220 V / 60 Hz
7700	230 V / 50 Hz - 240 V / 60 Hz

### Plug

Plug
w/o plug
0A1 c/w plug

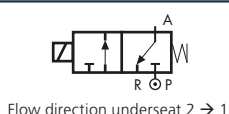




D	2	6	.	D	.	.	N	L	.	.	.	.	.	.	.
---	---	---	---	---	---	---	---	---	---	---	---	---	---	---	---

## Product coding example:

D263DBPNL 770R  
1/4 NPT, auto operation, brass body, FKM seals, 15/64 orifice, 230 V / 50 Hz - 240 V / 60 Hz, without plug.

# D362/363 Series

## Vacuum – 3/2 Normally Closed

Specifications	
Function (single acting)	 <p>Flow direction underseat 2 → 1</p>
Maximum Viscosity	Max. 21cST (3 °E)
Body Material (Std)	Brass CW617N (EN 12165)
Orifice Material	Stainless Steel 1.4305 EN 10088 (AISI 303)
Flange	Stainless Steel 1.4305 EN 10088 (AISI 303)
Tube	Stainless Steel AISI 304
Plunger	Stainless Steel 1.4106 EN 10088 (AISI 430F)
Top Stop	Stainless Steel 1.4105 EN 10088 (AISI 430F)
Springs	Stainless Steel AISI 302
Seal Material (Std)	Foodgrade FKM
Connection Type (Std)	G parallel thread (ISO 228-1)
Shading Ring	Copper
Electrical Characteristics	
Standard and Class H Coil Voltage DC (=)	24 V
Standard and Class H Coil Voltage AC 50 Hz (-)	24 V, 110 V, 200 V, 230 V
Standard and Class H Coil Voltage AC 60 Hz (-)	24 V, 120 V, 220 V, 240 V
 Coil Voltage DC (=)	24 V
 Coil Voltage AC 50 Hz (-)	24 V, 110 V, 230 V
 Coil Voltage AC 60 Hz (-)	120 V, 240 V
Voltage Tolerance	+10% to -15% (AC)
	+10% to -5% (DC)
Duty Cycle	100% ED
Protection Class	IP65 (EN 60529) with plug and gasket correctly fitted *
Electrical Connection	to EN 175301 - 803 - A (ex DIN 43650)
Coil Insulation	Class F 155 °C
Power Rating (Standard and Class H)	AC 18 VA (holding) AC 36 VA (inrush) DC 14 W
Power Rating (  )	AC 15 VA (holding) AC 30 VA (inrush) DC 10 W

### Features and Benefits

- Direct Acting
- Robust construction for industrial applications
- Configuration suitable for vacuum
- Zero pressure rated
- Stainless steel AISI 430F operators with low residual magnetism
- Manufactured in compliance to RoHS directive and to relevant international standards
- High quality seal materials
- Response time 5 to 25 ms



Pipe Size	Cv (gpm)	Kv (m³/h)	OPD (bar)		Orifice (mm)	Seal Material	Valve Code
			AC Voltages	DC Voltages			
¼"	0.15	0.13	0 to -0.95	0 to -0.95	2.0	FKM	D363C_VEL
¼"	0.24	0.20	0 to -0.95	0 to -0.95	2.5	FKM	D363C_VGL
¼"	0.32	0.27	0 to -0.95	0 to -0.95	3.0	FKM	D363C_VHL
¼"	0.42	0.36	0 to -0.95	0 to -0.95	4.0	FKM	D363C_VLL

### Options Available

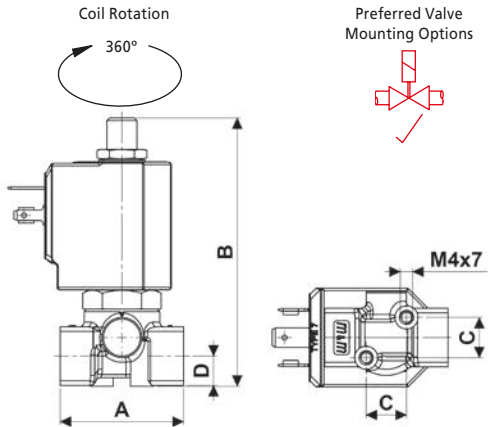
Valve Options (see coding chart)
Body threaded connection G 1/8"

Seal Material <sup>1</sup> and Media Temperature Range	Media	Ambient Temperature Range	
		Min	Max
FKM (-10 °C to +130 °C)	Water, oil, air	-10 °C	+50 °C

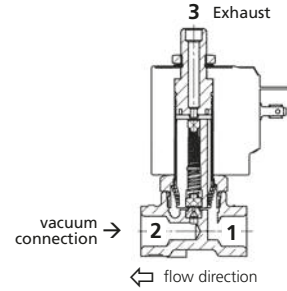
<sup>1</sup> See corrosion reference guide and sealing solutions for material compatibility. Other seals material on request.

# D362/363 Series

## Vacuum – 3/2 Normally Closed



### Connection scheme



Pipe Size	A	B	C	D	Weight (kg)
1/8" - 1/4"	40	87	13	9.5	0.26

Dimensions (mm)

### Solenoid enclosures

#### 7--0 & 7--1 Type Coil - Insulation class F & H

- External material (7--0): PBT (reinforced fibreglass 30%)
- External material (7--1): PPS (fibreglass & mineral filled)
- Electrical connection: DIN EN 175301-803 form A
- Winding insulation: Class H (E180)
- Enclosure classification: Conforms to IP65 (according to EN 60529) with plug and gasket correctly fitted\*



#### 7--R cULus Type Coil - Insulation class F

- Encapsulation material: PET 815ER Rynite®
- Electrical connection: DIN EN 175301-803 form A
- Winding insulation: Class H (P180)
- Enclosure classification: Conforms to IP65 (according to EN 60529) with plug and gasket correctly fitted\*
- UL approved, file No: E193928



#### Type 600 011- Plug

- Rated Voltage (max.): 250 VAC / 300 VDC
- Nominal Current: 10A (rated) / 16A (max)
- Wire cross-section: 1.5 mm² max
- Cable Entry: PG9 (6 to 8 mm)
- Enclosure classification: Conforms to IP65 (according to EN 60529) with supplied gasket
- Insulation class: group C- VDE 0110
- Housing colour: black
- UL approved, file No: E205538



\* Plug and gasket not supplied as standard, must be ordered separately.

### Coding chart

#### Main Valve Assembly

Pipe Size
2 1/8"
3 1/4"

Orifice
E 2.0
G 2.5
H 3.0
L 4.0

#### Coil options

Option	Voltage / Frequency - Class F		Voltage / Frequency - Class H	
	w/o option	7250	24 VDC	7251
	7200	24 V / 50/60 Hz	7201	24 V / 50/60 Hz
	7400	110 V / 50 Hz - 120 V / 60 Hz	7401	110 V / 50 Hz - 120 V / 60 Hz
	7600	200 V / 50 Hz - 220 V / 60 Hz	7601	200 V / 50 Hz - 220 V / 60 Hz
	7700	230 V / 50 Hz - 240 V / 60 Hz	7701	230 V / 50 Hz - 240 V / 60 Hz
	Voltage / Frequency - Class F - cULus approved			
	725R	24 VDC		
	720R	24 V / 50 Hz		
	740R	110 V / 50 Hz - 120 V / 60 Hz		
	770R	230 V / 50 Hz - 240 V / 60 Hz		

#### Plug

Plug
w/o plug
0A1 c/w plug

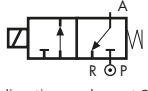




D	3	6	.	C	V	.	L	.	.	.	.	.	.	.	.
---	---	---	---	---	---	---	---	---	---	---	---	---	---	---	---

#### Product coding example:

D362CVGL 7250  
1/8" G, auto operation, brass body, FKM seals, 2.5 mm orifice, 24 VDC, without plug.

# D362/363 Series (USA)

## Vacuum – 3/2 Normally Closed

Specifications	
Function (single acting)	 <p>Flow direction underseat 2 → 1</p>
Maximum Viscosity	Max. 21cST (3 °E)
Body Material (Std)	Brass C37700 (UNS Designation)
Orifice Material	Stainless Steel AISI 303 (1.4305 EN 10088)
Flange	Stainless Steel AISI 303 (1.4305 EN 10088)
Tube	Stainless Steel AISI 304
Plunger	Stainless Steel AISI 430F (1.4106 EN 10088)
Top Stop	Stainless Steel AISI 430F (1.4105 EN 10088)
Springs	Stainless Steel AISI 302
Seal Material (Std)	Foodgrade FKM
Connection Type	NPT
Shading Ring	Copper
Electrical Characteristics	
 Coil Voltage DC (=)	24 V
 Coil Voltage AC 50 Hz (-)	24 V, 110 V, 230 V
 Coil Voltage AC 60 Hz (-)	120 V, 240 V
Voltage Tolerance	+10% to -15% (AC)
	+10% to -5% (DC)
Duty Cycle	100% ED
Enclosure Classification	NEMA type 4 (UL 50) and IP65 (EN 60529) with plug and gasket correctly fitted *
Electrical Connection	to EN 175301 - 803 - A (ex DIN 43650)
Coil Insulation Class	180 (H) to UL429 and to EN 60730-1
Power Rating (  Coils)	AC 15 VA (holding)
	AC 30 VA (inrush) DC 10 W

### Features and Benefits

- Direct Acting
- Robust construction for industrial applications
- Configuration suitable for vacuum
- Zero pressure rated
- Stainless steel AISI 430F operators with low residual magnetism
- High quality seal materials
- Response time 5 to 25 ms



Pipe Size	Cv (gpm)	Kv (m³/h)	OPD psi (bar)		Orifice inches (mm)	Seal Material	Valve Code
			AC Voltages	DC Voltages			
¼	0.15	0.13	0 to -13.8 (0 to -0.95)	0 to -13.8 (0 to -0.95)	5/64 (2.0)	FKM	D363C $\checkmark$ ENL
¼	0.24	0.20	0 to -13.8 (0 to -0.95)	0 to -13.8 (0 to -0.95)	3/32 (2.5)	FKM	D363C $\checkmark$ GNL
¼	0.32	0.27	0 to -13.8 (0 to -0.95)	0 to -13.8 (0 to -0.95)	1/8 (3.0)	FKM	D363C $\checkmark$ HNL
¼	0.42	0.36	0 to -13.8 (0 to -0.95)	0 to -13.8 (0 to -0.95)	5/32 (4.0)	FKM	D363C $\checkmark$ LNL

### Options Available

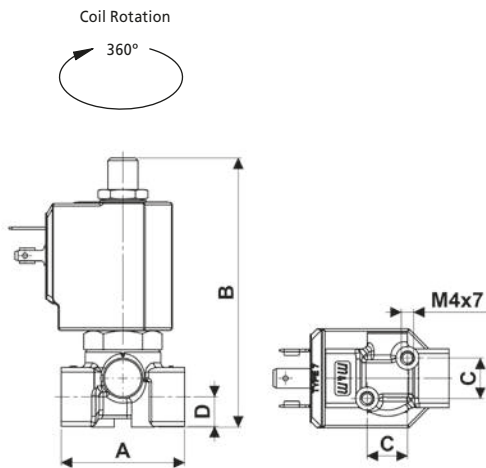
Valve Options (see coding chart)
Body threaded connection 1/8
G parallel thread (ISO 228-1)
Coil with insulation class F

Seal Material <sup>1</sup> and Media Temperature Range	Media	Ambient Temperature Range	
		Min	Max
FKM 14 °F to 266 °F (-10 °C to +130 °C)	Water, oil, air	14 °F (-10 °C)	122 °F (+50 °C)

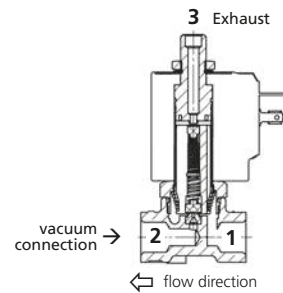
<sup>1</sup> See corrosion reference guide and sealing solutions for material compatibility. Other seals material on request.

# D362/363 Series (USA)

Vacuum – 3/2 Normally Closed



## Connection scheme



Preferred Valve Mounting Options



Pipe Size	A	B	C	D	Weight Lb (kg)
1/8 - 1/4	1.57 (40)	3.43 (87)	0.51 (13)	0.37 (9.5)	0.57 (0.26)

Dimensions inches (mm)

## Solenoid enclosures

### 7--H cULus Type Coil - Insulation class H

- External material: PET 530HTE Rynite®
- Electrical connection: DIN EN 175301-803 form A
- Winding insulation: Class H (Al210)
- Enclosure classification: Conforms to NEMA type 4 (UL 50) and IP65 (according to EN 60529) with plug and gasket correctly fitted\*
- UL approved, file No: E193928



### Type 600 011- Plug

- Rated Voltage (max.): 250 VAC / 300 VDC
- Nominal Current: 10A (rated) / 16A (max)
- Wire cross-section: 0.0023 inch<sup>2</sup> max (1.5 mm<sup>2</sup> max)
- Cable Entry: PG9 (0.24 to 0.31 inch / 6 to 8 mm)
- Enclosure classification: Conforms to IP65 (according to EN 60529) with supplied gasket
- Insulation class: group C- VDE 0110
- Housing colour: black
- UL approved, file No: E205538



\* Plug and gasket not supplied as standard, must be ordered separately.

## Coding chart

### Main Valve Assembly

Pipe Size	
2	1/8
3	1/4

Orifice		Thread Pipe	
E	5/64	N	NPT
G	3/32		GAS
H	1/8		
L	5/32		

### Coil options

Voltage / Frequency - cULus Type, Class H	
725H	24 VDC
720H	24 V / 50 Hz
740H	110 V / 50 Hz - 120 V / 60 Hz
770H	230 V / 50 Hz - 240 V / 60 Hz

Voltage / Frequency - cULus Type, Class F	
725R	24 VDC
720R	24 V / 50 Hz
740R	110 V / 50 Hz - 120 V / 60 Hz
770R	230 V / 50 Hz - 240 V / 60 Hz

### Plug

Plug	
	w/o plug
0A1	c/w plug



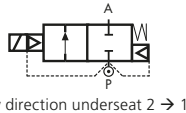


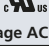

## Product coding example:

D362CVGNL 725H  
1/8 NPT, auto operation, brass body, FKM seals, 3/32 orifice, 24 VDC, without plug.



# D203/204/205 Series

## Vacuum – 2/2 Normally Closed

Specifications	
Function (single acting)	 <p>Flow direction underseat 2 → 1</p>
Maximum Viscosity	Max. 21cST (3 °E)
Body Material (Std)	Brass CW617N (EN 12165)
Flange	Stainless Steel 1.4305 EN 10088 (AISI 303)
Tube	Stainless Steel AISI 304
Plunger	Stainless Steel 1.4106 EN 10088 (AISI 430F)
Top Stop	Stainless Steel 1.4105 EN 10088 (AISI 430F)
Springs	Stainless Steel AISI 302
Seal Material (Std)	NBR
Connection Type (Std)	G parallel thread (ISO 228-1)
Shading Ring	Copper
Electrical Characteristics	
Standard Coil Voltage DC (=)	24 V
Standard Coil Voltage AC 50 Hz (-)	24 V, 110 V, 200 V, 230 V
Standard Coil Voltage AC 60 Hz (-)	24 V, 120 V, 220 V, 240 V
 Coil Voltage DC (=)	24 V
 Coil Voltage AC 50 Hz (-)	24 V, 110 V, 230 V
 Coil Voltage AC 60 Hz (-)	120 V, 240 V
Voltage Tolerance	+10% to -15% (AC)
	+10% to -5% (DC)
Duty Cycle	100% ED
Protection Class	IP65 (EN 60529) with plug and gasket correctly fitted *
Electrical Connection	to EN 175301 - 803 - A (ex DIN 43650)
Coil Insulation	Class F 155 °C
Power Rating (Standard)	AC 18 VA (holding) AC 36 VA (inrush) DC 14 W
Power Rating (  )	AC 15 VA (holding) AC 30 VA (inrush) DC 10 W

### Features and Benefits

- Pilot operated
- Robust construction for industrial applications
- Configuration suitable for vacuum
- Stainless steel AISI 430F operators with low residual magnetism
- Manufactured in compliance to RoHS directive and to relevant international standards
- High quality seal materials
- Response time 50 to 500 ms



Pipe Size	Cv (gpm)	Kv (m³/h)	OPD (bar)		Orifice (mm)	Seal Material	Valve Code
			AC Voltages	DC Voltages			
¼"	1.83	1.56	-0.2	-0.2	13	NBR	D203DBZL
⅜"	3.86	3.30	to	to	13	NBR	D204DBZL
½"	4.42	3.78	-0.95	-0.95	13	NBR	D205DBZL

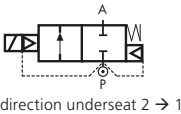




Seal Material <sup>1</sup> and Media Temperature Range	Media	Ambient Temperature Range	
		Min	Max
NBR (-10 °C to +90 °C)	Water, oil, air	-10 °C	+50 °C

<sup>1</sup> See corrosion reference guide and sealing solutions for material compatibility. Other seals material on request.



# D203/204/205 Series (USA)

## Vacuum – 2/2 Normally Closed

Specifications	
Function (single acting)	 <p>Flow direction underseat 2 → 1</p>
Maximum Viscosity	Max. 21cST (3 °E)
Body Material (Std)	Brass C37700 (UNS Designation)
Flange	Stainless Steel AISI 303 (1.4305 EN 10088)
Tube	Stainless Steel AISI 304
Plunger	Stainless Steel AISI 430F (1.4106 EN 10088)
Top Stop	Stainless Steel AISI 430F (1.4105 EN 10088)
Springs	Stainless Steel AISI 302
Seal Material (Std)	NBR
Connection Type	NPT
Shading Ring	Copper
Electrical Characteristics	
 Coil Voltage DC (=)	24 V
 Coil Voltage AC 50 Hz (-)	24 V, 110 V, 230 V
 Coil Voltage AC 60 Hz (-)	120 V, 240 V
Voltage Tolerance	+10% to -15% (AC)
	+10% to -5% (DC)
Duty Cycle	100% ED
Enclosure Classification	NEMA type 4 (UL 50) and IP65 (EN 60529) with plug and gasket correctly fitted *
Electrical Connection	to EN 175301 - 803 - A (ex DIN 43650)
Coil Insulation Class	155 (F) to UL429 and to EN 60730-1
Power Rating  Coils	AC 15 VA (holding) AC 30 VA (inrush) DC 14 W

### Features and Benefits

- Pilot operated
- Robust construction for industrial applications
- Configuration suitable for vacuum
- Stainless steel AISI 430F operators with low residual magnetism
- High quality seal materials
- Response time 50 to 500 ms



Pipe Size	Cv (gpm)	Kv (m³/h)	OPD psi (bar)		Orifice inches (mm)	Seal Material	Valve Code
			AC Voltages	DC Voltages			
1/4	1.83	1.56	-2.9 to -13.8 (-0.2 to -0.95)	-2.9 to -13.8 (-0.2 to -0.95)	33/64 (13)	NBR	D203DBZNL
3/8	3.86	3.30			33/64 (13)	NBR	D204DBZNL
1/2	4.42	3.78			33/64 (13)	NBR	D205DBZNL

### Options Available

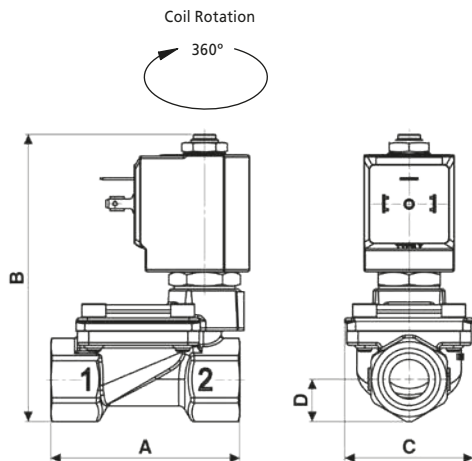
Valve Options (see coding chart)
G parallel thread (ISO 228-1)
CE coils, power DC 14W - AC 18 VA

Seal Material <sup>1</sup> and Media Temperature Range	Media	Ambient Temperature Range	
		Min	Max
NBR 14 °F to 194 °F (-10 °C to +90 °C)	Water, oil, air	14 °F (-10 °C)	122 °F (+50 °C)

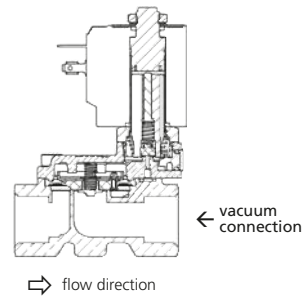
<sup>1</sup> See corrosion reference guide and sealing solutions for material compatibility. Other seals material on request.

# D203/204/205 Series (USA)

Vacuum – 2/2 Normally Closed



## Connection scheme



Preferred Valve Mounting Options



Pipe Size	A	B	C	D	Weight Lb (kg)
¼ to ½	2.64 (67)	4.02 (102)	1.80 (45.6)	0.59 (15)	1.08 (0.49)

Dimensions inches (mm)

## Solenoid enclosures

7--R c us Type Coil - Insulation class F

Encapsulation material: PET 815ER Rynite®

Electrical connection: DIN EN 175301-803 form A

Winding insulation: Class H (P180)

Enclosure classification: Conforms to NEMA type 4 (UL 50) and IP65 (according to EN 60529) with plug and gasket correctly fitted\*

UL approved, file No: E193928



## Type 600 011- Plug

Rated Voltage (max.): 250 VAC / 300 VDC

Nominal Current: 10A (rated) / 16A (max)

Wire cross-section: 0.0023 inch<sup>2</sup> max (1.5 mm<sup>2</sup> max)

Cable Entry: PG9 (0.24 to 0.31 inch / 6 to 8 mm)

Enclosure classification: Conforms to IP65 (according to EN 60529) with supplied gasket

Insulation class: group C- VDE 0110

Housing colour: black

UL approved, file No: E205538



\* Plug and gasket not supplied as standard, must be ordered separately.

## Coding chart

### Main Valve Assembly

Pipe Size	
203	¼
204	⅜
205	½

Thread Pipe	
N	NPT
	GAS

### Coil options

Voltage / Frequency - c  us Type, Class F	
725R	24 VDC
720R	24 V / 50 Hz
740R	110 V / 50 Hz - 120 V / 60 Hz
770R	230 V / 50 Hz - 240 V / 60 Hz

Voltage / Frequency - CE Type, Class F	
7250	24 VDC
7200	24 V / 50/60 Hz
7400	110 V / 50 Hz - 120 V / 60 Hz
7600	200 V / 50 Hz - 220 V / 60 Hz
7700	230 V / 50 Hz - 240 V / 60 Hz

### Plug

Plug	
	w/o plug
0A1	c/w plug

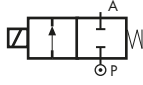


## Product coding example:

D205DBZNL 720R  
½ NPT, auto operation, brass body, NBR seals, ⅜ orifice, 24 V / 50/60 Hz, without plug.

# D237/238/239 & CD237/238/239 Series

## Vacuum – 2/2 Normally Closed

Specifications	
Function (single acting)	 <p>Flow direction overseat 1 → 2</p>
Maximum Viscosity	Max. 21cST (3 °E)
Body Material (Std)	Brass CW617N (EN 12165)
Flange	Stainless Steel 1.4305 EN 10088 (AISI 303)
Additional Flange (HEX 30)	Brass CW614N (EN 12164)
Tube	Stainless Steel AISI 304
Plunger	Stainless Steel 1.4106 EN 10088 (AISI 430F)
Top Stop	Stainless Steel 1.4105 EN 10088 (AISI 430F)
Springs	Stainless Steel AISI 302
Seal Material (Std)	NBR
Connection Type (Std)	G parallel thread (ISO 228-1)
Shading Ring	Copper
Electrical Characteristics	
High Power Coil Voltage DC (=)	24 V
High Power Coil Voltage AC 50 Hz (-)	24 V, 110 V, 230 V
High Power Coil Voltage AC 60 Hz (-)	24 V, 120 V, 240 V
Voltage Tolerance	+10% to -15% (AC)
	+10% to -5% (DC)
Duty Cycle	100% ED
Protection Class	IP65 (EN 60529) with plug and gasket correctly fitted *
Electrical Connection	to EN 175301 - 803 - A (ex DIN 43650)
Coil Insulation	Class H 180 °C
Power Rating (High Power)	AC 25 VA (holding) AC 50 VA (inrush) DC 22 W

### Features and Benefits

- Direct Acting
- Robust construction for industrial applications
- Configuration suitable for vacuum
- Stainless steel AISI 430F operators with low residual magnetism
- Manufactured in compliance to RoHS directive and to relevant international standards
- Choice of high quality seal materials
- Response time 5 to 25 ms



Pipe Size	Cv (gpm)	Kv (m³/h)	OPD (bar)		Orifice (mm)	Seal Material	Valve Code
			AC Voltages	DC Voltages			
¼"	1.49	1.27	0 to -0.95	-	10.5	NBR EPDM	D237DBU1 D237DEU1
⅜"	1.68	1.44	0 to -0.95	-	10.5	NBR EPDM	D238DBU1 D238DEU1
½"	1.76	1.50	0 to -0.95	-	10.5	NBR EPDM	D239DBU1 D239DEU1
¼"	1.49	1.27	-	0 to -0.95	10.5	NBR EPDM	C D237DBU1 C D237DEU1
⅜"	1.68	1.44	-	0 to -0.95	10.5	NBR EPDM	C D238DBU1 C D238DEU1
½"	1.76	1.50	-	0 to -0.95	10.5	NBR EPDM	C D239DBU1 C D239DEU1

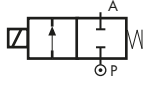
Seal Material <sup>1</sup> and Media Temperature Range	Media	Ambient Temperature Range	
		Min	Max
NBR 60 shore (-10 °C to +90 °C)	Water, oil, air	-10 °C	+50 °C
EPDM (-10 °C to +120 °C)	Water, hot water	-10 °C	+50 °C

<sup>1</sup> See corrosion reference guide and sealing solutions for material compatibility. Other seals material on request.



# D237/238/239 & C D237/238/239 Series (USA)

## Vacuum – 2/2 Normally Closed

Specifications	
Function (single acting)	 <p>Flow direction overseat 1 → 2</p>
Maximum Viscosity	Max. 21cST (3 °E)
Body Material (Std)	Brass C37700 (UNS Designation)
Flange	Stainless Steel AISI 303 (1.4305 EN 10088)
Additional Flange (HEX 30)	Brass C37700 (UNS DESIGNATION)
Tube	Stainless Steel AISI 304
Plunger	Stainless Steel AISI 430F (1.4106 EN 10088)
Top Stop	Stainless Steel AISI 430F (1.4105 EN 10088)
Springs	Stainless Steel AISI 302
Seal Material (Std)	NBR
Connection Type	NPT
Shading Ring	Copper
Electrical Characteristics <sup>1</sup>	
High Power Coil Voltage DC (=)	24 V
High Power Coil Voltage AC 50 Hz (-)	24 V, 110 V, 230 V
High Power Coil Voltage AC 60 Hz (-)	24 V, 120 V, 240 V
Voltage Tolerance	+10% to -15% (AC)
	+10% to -5% (DC)
Duty Cycle	100% ED
Enclosure Classification	NEMA type 4 (UL 50) and IP65 (EN 60529) with plug and gasket correctly fitted *
Electrical Connection	to EN 175301 - 803 - A (ex DIN 43650)
Coil Insulation Class	180 (H) to EN 60730-1
Power Rating (High Power)	AC 25 VA (holding) AC 50 VA (inrush) DC 22 W

<sup>1</sup> High power coils are not UL approved.

### Features and Benefits

- Direct Acting
- Robust construction for industrial applications
- Configuration suitable for vacuum
- Stainless steel AISI 430F operators with low residual magnetism
- Coils tested 100% in compliance to RoHS directive and to relevant international standards
- Choice of high quality seal materials
- Response time 5 to 25 ms



Pipe Size	Cv (gpm)	Kv (m <sup>3</sup> /h)	OPD psi (bar)		Orifice inches (mm)	Seal Material	Valve Code
			AC Voltages	DC Voltages			
1/4	1.49	1.27	0 to -13.8 (0 to -0.95)	-	13/32 (10.5)	NBR EPDM	D237DBUN1 D237DEUN1
3/8	1.68	1.44	0 to -13.8 (0 to -0.95)	-	13/32 (10.5)	NBR EPDM	D238DBUN1 D238DEUN1
1/2	1.76	1.50	0 to -13.8 (0 to -0.95)	-	13/32 (10.5)	NBR EPDM	D239DBUN1 D239DEUN1
1/4	1.49	1.27	-	0 to -13.8 (0 to -0.95)	13/32 (10.5)	NBR EPDM	C D237DBUN1 C D237DEUN1
3/8	1.68	1.44	-	0 to -13.8 (0 to -0.95)	13/32 (10.5)	NBR EPDM	C D238DBUN1 C D238DEUN1
1/2	1.76	1.50	-	0 to -13.8 (0 to -0.95)	13/32 (10.5)	NBR EPDM	C D239DBUN1 C D239DEUN1

### Options Available

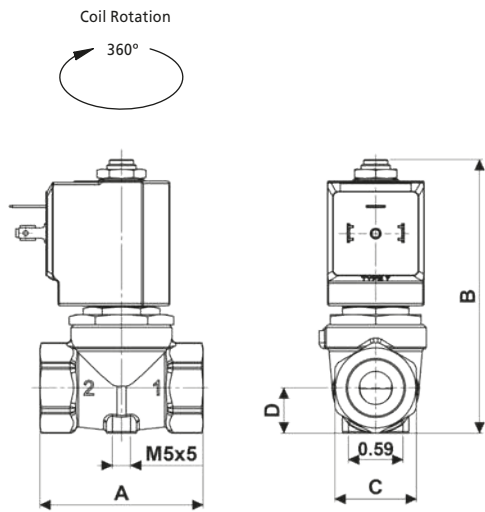
Valve Options (see coding chart)
G parallel thread (ISO 228-1)

Seal Material <sup>2</sup> and Media Temperature Range	Media	Ambient Temperature Range	
		Min	Max
NBR 60 shore 14 °F to 194 °F (-10 °C to +90 °C)	Water, oil, air	14 °F (-10 °C)	122 °F (+50 °C)
EPDM 14 °F to 248 °F (-10 °C to +120 °C)	Water, hot water	14 °F (-10 °C)	122 °F (+50 °C)

<sup>2</sup> See corrosion reference guide and sealing solutions for material compatibility. Other seals material on request.

# D237/238/239 & C D237/238/239 Series (USA)

Vacuum – 2/2 Normally Closed



Preferred Valve Mounting Options



Pipe Size	A	B	C	D	Weight Lb (kg)
1/4 - 3/8 - 1/2	2.13 (54)	3.50 (89)	HEX 27 (27)	0.59 (15)	0.99 (0.45)

Dimensions inches (mm)

## Solenoid enclosures

### 7-K1 & 7-Z1 Type Coil - Insulation class H

External material: PPS (fibreglass & mineral filled)  
 Electrical connection: DIN EN 175301-803 form A  
 Winding insulation: Class H (E180)  
 Enclosure classification: Conforms to NEMA type 4 (UL 50) and IP65 (according to EN 60529) with plug and gasket correctly fitted\*



\* Plug and gasket not supplied as standard, must be ordered separately.

### Type 600 011- Plug

Rated Voltage (max.): 250 VAC / 300 VDC  
 Nominal Current: 10A (rated) / 16A (max)  
 Wire cross-section: 0.0023 inch<sup>2</sup> max (1.5 mm<sup>2</sup> max)  
 Cable Entry: PG9 (0.24 to 0.31 inch / 6 to 8 mm)  
 Enclosure classification: Conforms to IP65 (according to EN 60529) with supplied gasket  
 Insulation class: group C- VDE 0110  
 Housing colour: black  
 UL approved, file No: E205538



## Coding chart

### Main Valve Assembly

Valve Type	
D	AC version
CD	DC version

Pipe Size	
7	1/4
8	3/8
9	1/2

Seals	
E	EPDM
B	NBR

Thread Pipe	
N	NPT
	GAS

### Coil options

Voltage / Frequency - Class H, High Power	
72Z1	24 VDC
72K1	24 V / 50/60 Hz
74K1	110 V / 50 Hz - 120 V / 60 Hz
77K1	230 V / 50 Hz - 240 V / 60 Hz

### Plug

Plug	
	w/o plug
0A1	c/w plug



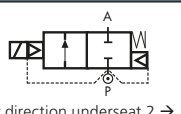
## Product coding example:

D238DEUN1 77K1  
 3/8 NPT, auto operation, brass body, EPDM seals, 13/32 orifice, 230 V / 50 Hz - 240 V / 60 Hz, without plug.



# D223/224/225 Series

## Vacuum – 2/2 Normally Closed

Specifications	
Function (single acting)	 <p>Flow direction underseat 2 → 1</p>
Maximum Viscosity	Max. 21cST (3 °E)
Body Material (Std)	Brass CW617N (EN 12165)
Flange	Stainless Steel 1.4305 EN 10088 (AISI 303)
Tube	Stainless Steel AISI 304
Plunger	Stainless Steel 1.4106 EN 10088 (AISI 430F)
Top Stop	Stainless Steel 1.4105 EN 10088 (AISI 430F)
Springs	Stainless Steel AISI 302
Seal Material (Std)	NBR
Connection Type (Std)	G parallel thread (ISO 228-1)
Shading Ring	Copper
Electrical Characteristics	
Standard Coil Voltage DC (=)	24 V
Standard Coil Voltage AC 50 Hz (-)	24 V, 110 V, 200 V, 230 V
Standard Coil Voltage AC 60 Hz (-)	24 V, 120 V, 220 V, 240 V
Voltage Tolerance	+10% to -15% (AC)
	+10% to -5% (DC)
Duty Cycle	100% ED
Protection Class	IP65 (EN 60529) with plug and gasket correctly fitted *
Electrical Connection	to EN 175301 - 803 - A (ex DIN 43650)
Coil Insulation	Class F 155 °C
Power Rating (Standard)	AC 18 VA (holding) AC 36 VA (inrush) DC 14 W

### Features and Benefits

- Pilot operated
- Robust construction for industrial applications
- Configuration suitable for vacuum
- Stainless steel AISI 430F operators with low residual magnetism
- Manufactured in compliance to RoHS directive and to relevant international standards
- High quality seal materials
- Speed control screw as standard
- Response time 50 to 500 ms



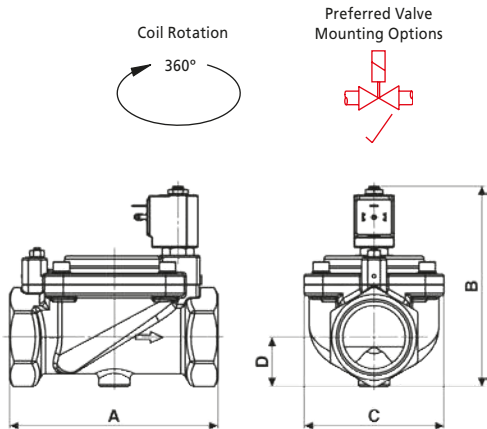
Pipe Size	Cv (gpm)	Kv (m³/h)	OPD (bar)		Orifice (mm)	Seal Material	Valve Code
			AC Voltages	DC Voltages			
1 ¼"	25.97	22.20	-0.5	-0.5	40	NBR	D223D <u>B</u> KL
1 ½"	28.08	24.00	to	to	40	NBR	D224D <u>B</u> KL
2"	37.91	32.40	-0.95	-0.95	50	NBR	D225D <u>B</u> JL

Seal Material <sup>1</sup> and Media Temperature Range	Media	Ambient Temperature Range	
		Min	Max
NBR (-10 °C to +90 °C)	Water, oil, air	-10 °C	+50 °C

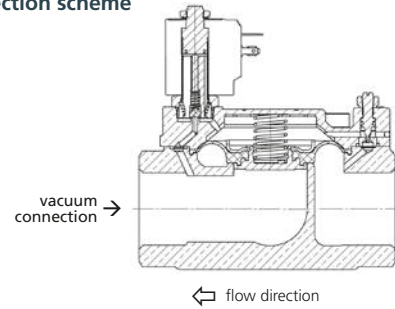
<sup>1</sup> See corrosion reference guide and sealing solutions for material compatibility. Other seals material on request.

# D223/224/225 Series

Vacuum – 2/2 Normally Closed



## Connection scheme



Pipe Size	A	B	C	D	Weight (kg)
1 ¼" - 1 ½"	140	140	96	31	2.8
2"	168	158	112	39	3.9

Dimensions (mm)

## Solenoid enclosures

### 7--0 Type Coil - Insulation class F

- External material: PBT (reinforced fibreglass 30%)
- Electrical connection: DIN EN 175301-803 form A
- Winding insulation: Class H (E180)
- Enclosure classification: Conforms to IP65 (according to EN 60529) with plug and gasket correctly fitted\*



\* Plug and gasket not supplied as standard, must be ordered separately

### Type 600 011- Plug

- Rated Voltage (max.): 250 VAC / 300 VDC
- Nominal Current: 10A (rated) / 16A (max)
- Wire cross-section: 1.5 mm<sup>2</sup> max
- Cable Entry: PG9 (6 to 8 mm)
- Enclosure classification: Conforms to IP65 (according to EN 60529) with supplied gasket
- Insulation class: group C- VDE 0110
- Housing colour: black
- UL approved, file No: E205538



## Coding chart

### Main Valve Assembly

Pipe Size
23 1 ¼"
24 1 ½"
25 2"

Orifice <sup>1</sup>
K 40
J 50

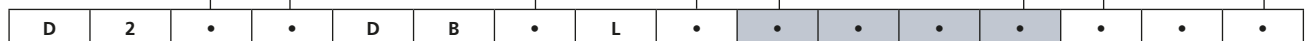
Option
w/o option

### Coil options

Voltage / Frequency - Class F	
7250	24 VDC
7200	24 V / 50/60 Hz
7400	110 V / 50 Hz - 120 V / 60 Hz
7600	200 V / 50 Hz - 220 V / 60 Hz
7700	230 V / 50 Hz - 240 V / 60 Hz

### Plug

Plug
w/o plug
0A1 c/w plug



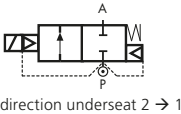




<sup>1</sup> DN40 for D223 and D224; DN50 for D225.

## Product coding example:

D225DBJL 7250  
2" G, auto operation, brass body, NBR seals, 50 mm orifice, 24 VDC, without plug.

# D223/224/225 Series (USA)

## Vacuum – 2/2 Normally Closed

Specifications	
Function (single acting)	 <p>Flow direction underseat 2 → 1</p>
Maximum Viscosity	Max. 21cST (3 °E)
Body Material (Std)	Brass C37700 (UNS Designation)
Flange	Stainless Steel AISI 303 (1.4305 EN 10088)
Tube	Stainless Steel AISI 304
Plunger	Stainless Steel AISI 430F (1.4106 EN 10088)
Top Stop	Stainless Steel AISI 430F (1.4105 EN 10088)
Springs	Stainless Steel AISI 302
Seal Material (Std)	NBR
Connection Type	NPT
Shading Ring	Copper
Electrical Characteristics	
 Coil Voltage DC (=)	24 V
 Coil Voltage AC 50 Hz (-)	24 V, 110 V, 230 V
 Coil Voltage AC 60 Hz (-)	120 V, 240 V
Voltage Tolerance	+10% to -15% (AC)
	+10% to -5% (DC)
Duty Cycle	100% ED
Enclosure Classification	NEMA type 4 (UL 50) and IP65 (EN 60529) with plug and gasket correctly fitted *
Electrical Connection	to EN 175301 - 803 - A (ex DIN 43650)
Coil Insulation Class	155 (F) to UL429 and to EN 60730-1
Power Rating 	AC 15 VA (holding) AC 30 VA (inrush) DC 14 W

### Features and Benefits

- Pilot operated
- Robust construction for industrial applications
- Configuration suitable for vacuum
- Stainless steel AISI 430F operators with low residual magnetism
- High quality seal materials
- Speed control screw as standard
- Response time 50 to 500 ms



Pipe Size	Cv (gpm)	Kv (m <sup>3</sup> /h)	OPD psi (bar)		Orifice inches (mm)	Seal Material	Valve Code
			AC Voltages	DC Voltages			
1 ¼	25.97	22.20			1 ¾/64 (40)	NBR	D223DBKNL
1 ½	28.08	24.00	-7.3 to -13.8 (-0.5 to -0.95)	-7.3 to -13.8 (-0.5 to -0.95)	1 ¾/64 (40)	NBR	D224DBKNL
2	37.91	32.40			2 (50)	NBR	D225DBJNL

### Options Available

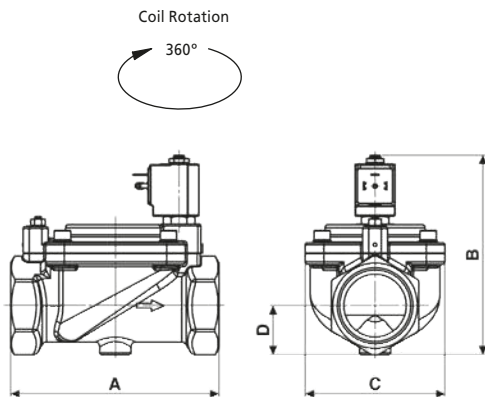
Valve Options (see coding chart)
G parallel thread (ISO 228-1)
CE coils, power DC 14W - AC 18 VA

Seal Material <sup>1</sup> and Media Temperature Range	Media	Ambient Temperature Range	
		Min	Max
NBR 14 °F to 194 °F (-10 °C to +90 °C)	Water, oil, air	14 °F (-10 °C)	122 °F (+50 °C)

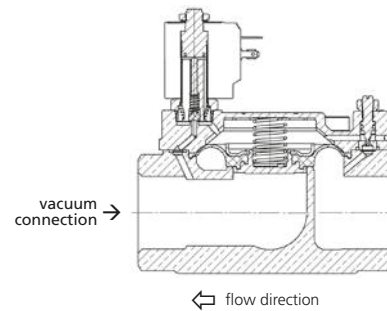
<sup>1</sup> See corrosion reference guide and sealing solutions for material compatibility. Other seals material on request.

# D223/224/225 Series (USA)

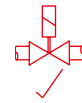
Vacuum – 2/2 Normally Closed



## Connection scheme



Preferred Valve Mounting Options



Pipe Size	A	B	C	D	Weight Lb (kg)
1 ¼ - 1 ½	5.51 (140)	5.51 (140)	3.78 (96)	1.22 (31)	6.17 (2.8)
2	6.61 (168)	6.22 (158)	4.41 (112)	1.54 (39)	8.60 (3.9)

Dimensions inches (mm)

## Solenoid enclosures

### 7--R c/us Type Coil - Insulation class F

- Encapsulation material: PET 815ER Rynite®
- Electrical connection: DIN EN 175301-803 form A
- Winding insulation: Class H (P180)
- Enclosure classification: Conforms to NEMA type 4 (UL 50) and IP65 (according to EN 60529) with plug and gasket correctly fitted\*
- UL approved, file No: E193928



### Type 600 011- Plug

- Rated Voltage (max.): 250 VAC / 300 VDC
- Nominal Current: 10A (rated) / 16A (max)
- Wire cross-section: 0.0023 inch<sup>2</sup> max (1.5 mm<sup>2</sup> max)
- Cable Entry: PG9 (0.24 to 0.31 inch / 6 to 8 mm)
- Enclosure classification: Conforms to IP65 (according to EN 60529) with supplied gasket
- Insulation class: group C- VDE 0110
- Housing colour: black
- UL approved, file No: E205538



\* Plug and gasket not supplied as standard, must be ordered separately.

## Coding chart

### Main Valve Assembly

Pipe Size
23
24
25

Orifice <sup>1</sup>	Thread Pipe
K 1 37/64	N NPT
J 2	GAS

### Coil options

Voltage / Frequency - c/us Type, Class F	
725R	24 VDC
720R	24 V / 50 Hz
740R	110 V / 50 Hz - 120 V / 60 Hz
770R	230 V / 50 Hz - 240 V / 60 Hz

Voltage / Frequency - CE Type, Class F	
7250	24 VDC
7200	24 V / 50/60 Hz
7400	110 V / 50 Hz - 120 V / 60 Hz
7600	200 V / 50 Hz - 220 V / 60 Hz
7700	230 V / 50 Hz - 240 V / 60 Hz

### Plug

Plug
w/o plug
0A1 c/w plug

D	2	•	•	D	B	•	N	L	•	•	•	•	•	•	•
---	---	---	---	---	---	---	---	---	---	---	---	---	---	---	---

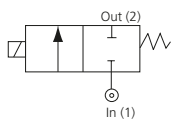
<sup>1</sup> DN 1 37/64 for D223 and D224; DN 2 for D225.

## Product coding example:

D225DBJNL 725R  
2 NPT, auto operation, brass body, NBR seals, 2 orifice, 24 VDC, without plug.

# GB Series

1/4" to 1" – 2/2 Normally Closed

Specifications	
Function	Normally Closed, energise to open 
Body Material (Std)	Aluminium
Flange Tube	Stainless Steel 303
Plunger and top stop	Stainless Steel 430FR
Springs	Stainless Steel 302
Seal Material (Std)	NBR
Connection Type (Std)	BS21
Shading Ring	Copper
Electrical Characteristics	
Coil Voltage DC (=)	12 V, 24 V, 110 V
Coil Voltage AC 50 Hz (-)	24 V, 110 V, 120 V, 230 V
Coil Voltage AC 60 Hz (-)	24 V, 110 V, 120V, 220 V
Voltage Tolerance	+10% or -10%
Duty Cycle	100% ED
Protection Class (Std)	IP65 (BS EN 60529) (plug supplied as standard)
Electrical Connection (Std)	PG9 Din Connector DIN 43650/ISO 4400 (EN 175301-803) Form 'A'
Coil Insulation	Class H (BS EN 60085) 180 °C (E5 Type)
Power Rating	1/4" - 1/2" (19 VA /14 watt) 3/4" - 1" (32 VA / 22 watt) 1/4" - 1" (24 VDC) (14 watt)

## Features and Benefits

- Approved for mains gas safety shut off
- Suitable for automatic burners
- Suitable for fire protection systems
- Ideal for low pressure Natural gas
- Approved to EN161 when fitted with a standard E5 type enclosure
- Compliant with Gas Appliance Regulation
- Fully ported orifices for high flow
- Zero pressure rated
- Optional pressure test points
- Suitable for 1st, 2nd and 3rd family gases
- Suitable for LPG
- Response time up to 1/2" 15 - 25 ms
- Response time up to 1" 20 - 40 ms
- Panic buttons & electro thermal links available for controlling valve
- Classification: Group 2 controls (BS EN 13611)



Pipe Size	Cv (gpm)	Kv (m³/h)	OPD (mBar)		P. Max Bar	Orifice (mm)	Weight (kg)
			AC Voltages	DC Voltages			
1/4"	4.2	3.6	0 -140	0 - 50	1	12.70	0.23
3/8"	5.8	5	0 -140	0 - 50		12.70	0.23
1/2"	6.3	5.4	0 -140	0 - 50		12.70	0.23
3/4"	15.0	12.9	0 -100	0 - 50		19.00	0.27
1"	15.7	13.6	0 -100	0 - 50		19.00	0.32

Kv = Flow rate measured with differential pressure at 2.5 mbar

## Options Available

Solenoid Enclosure	
Protection Class	
Exm T5 (IP65) (up to 1/2")	Consult Rotork Midland for product codes

Seal Material <sup>1</sup> and Media Temp. Range	Ambient Temperature Range °C	
	Min	Max
NBR (-10 °C to +80 °C)	0	60

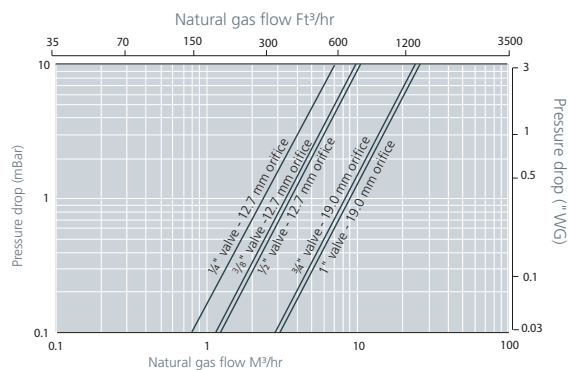
Main Valve Assembly Options
NPT Threads
Stainless steel tagging

See solenoid enclosures for specific details.

<sup>1</sup> See corrosion reference guide and sealing solutions for material compatibility.

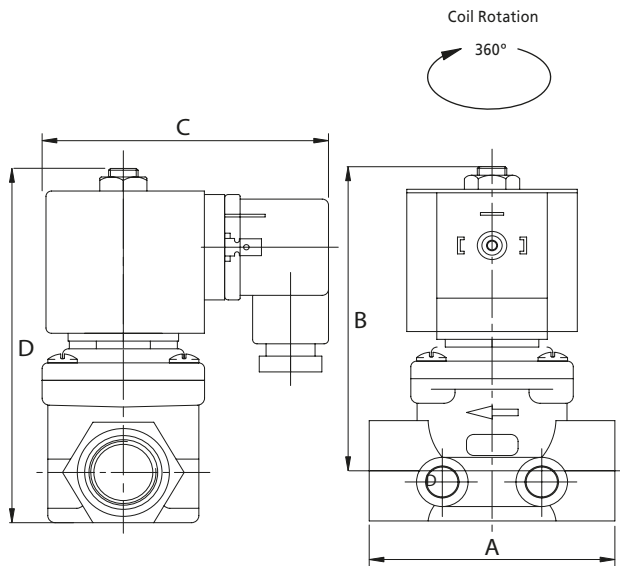
## How to use the flow chart

1. Select the required flow.
2. Note the corresponding pressure drop.
3. Based on where the two points intersect select the most appropriate model.

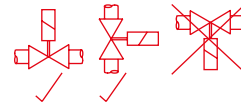


# GB Series

1/4" to 1" – 2/2 Normally Closed



Preferred Valve Mounting Options



## Dimensions

Pipe Size	A	B	C	D
1/4"	57	87	56	101
3/8"	67	87	56	101
1/2"	67	87	56	101
3/4"	86	90	56	107
1"	106	93	56	115

Dimensions given in mm

## Solenoid enclosures



### E5 Type enclosure protection class IP65

- External material: Glass reinforced nylon
- Electrical connection: DIN Plug to ISO 4400
- Winding insulation: Class H
- Enclosure: Conforms to IP65 when correct plug gasket is fitted as supplied

## Coding chart

### Main Valve Assembly

Model		Valve Body Conn. Size		Connection Type		Operation	
34	GB	B	1/4"	1	BS21	1	AUTO
		C	3/8"	3	NPT		
		D	1/2"				
		E	3/4"				
		F	1"				

### Coil options

Body Material		Seals		Style	
3	Aluminium	A	NBR	1	Standard

Enclosure		Voltage / Frequency		Electrical Connection	
1	Weather proof IP65	A1	230 V / 50 Hz (19 VA / 14 Watt) 1/4" - 1/2" valves only	1	Din plug 9 mm
		A2	110 V / 50 Hz & 120 V / 50 Hz (19 VA / 14 Watt) 1/4" - 1/2" valves only		
		A8	230 V / 50 Hz (32 VA / 22 Watt) 3/4" - 1" valves only		
		A9	110 V / 50 Hz (32 VA / 22 Watt) 3/4" - 1" valves only		
		B2	24 VDC (14 Watt) 1/4" - 1" valves only		

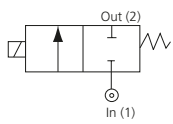
34	•	•	1	Z	3	A	1	-	1	••	•
----	---	---	---	---	---	---	---	---	---	----	---

### Product coding example:

34F11Z3A1-1A81 - GB Series  
1" BS21, auto operation, aluminium, NBR seals, 230 V / 50 Hz DIN Plug 9 mm.

# GB Series

## 1 1/4" to 2" – 2/2 Normally Closed

Specifications	
Function	Normally Closed, energise to open 
Body Material (Std)	Aluminium
Flange Tube	Stainless Steel 303
Plunger and top stop	Stainless Steel 430FR
Springs	Stainless Steel 302
Seal Material (Std)	NBR
Connection Type (Std)	BS21
Shading Ring	Copper
Electrical Characteristics	
Coil Voltage DC (=)	12 V, 24 V, 110 V
Coil Voltage AC 50 Hz (-)	24 V, 110 V, 120 V, 230 V
Coil Voltage AC 60 Hz (-)	24 V, 110 V, 120v, 220 V
Voltage Tolerance	+10% or -10%
Duty Cycle	100% ED
Protection Class (Std)	IP65 (BS EN 60529) (plug supplied as standard)
Electrical Connection (Std)	PG9 Din Connector DIN 43650/ISO 4400 (EN 175301-803) Form 'A'
Coil Insulation	Class H (BS EN 60085) 180 °C (E5 Type)
Power Rating	1 1/4" - 2" ( 34 watt)

### Features and Benefits

- Approved for mains gas safety shut off
- Suitable for automatic burners
- Suitable for fire protection systems
- Ideal for low pressure Natural gas
- Approved to EN161
- Compliant with Gas Appliance Regulation
- Fully ported orifices for high flow
- Zero pressure rated
- Optional pressure test points
- Suitable for 1<sup>st</sup>, 2<sup>nd</sup> and 3<sup>rd</sup> family gases
- Suitable for LPG
- Response time up to 1 1/4" 60-120 ms
- Panic buttons & electro thermal links available for controlling valve
- Classification: Group 2 controls (BS EN 13611)



Pipe Size	Cv (gpm)	Kv (m <sup>3</sup> /h)	OPD (mBar)		P. Max Bar	Orifice (mm)	Weight (kg)
			AC Voltages	DC Voltages			
1 1/4"	38.3	33	0-50	0-50	1	40.00	3.08
1 1/2"	38.3	33	0-50	0-50		40.00	3.08
2"	38.3	33	0-50	0-50		40.00	3.08

### Options Available

Seal Material <sup>1</sup> and Media Temp. Range	Ambient Temperature Range °C	
	Min	Max
NBR (-10 °C to +80 °C)	0	60

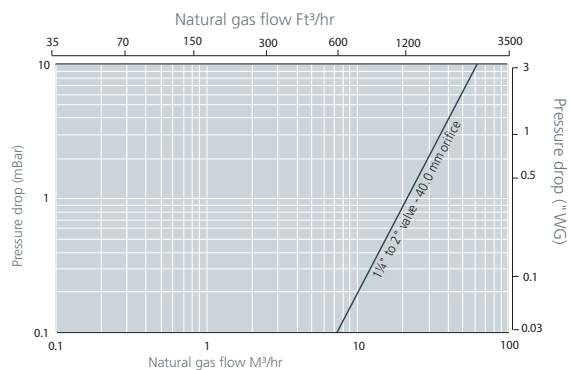
<sup>1</sup> See corrosion reference guide and sealing solutions for material compatibility.

### Main Valve Assembly Options

NPT Threads
Stainless steel tagging

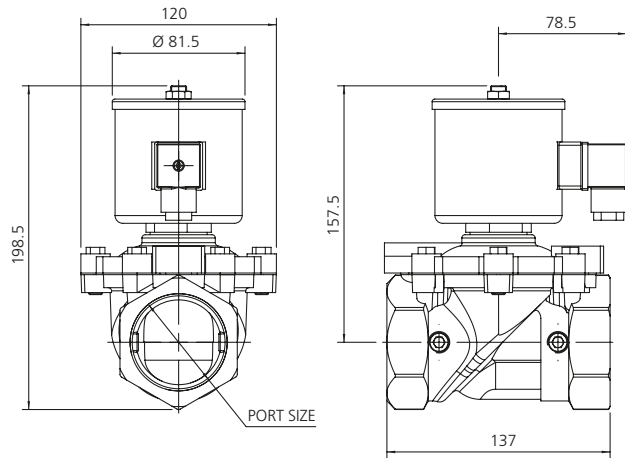
### How to use the flow chart

1. Select the required flow.
2. Note the corresponding pressure drop.
3. Based on where the two points intersect select the most appropriate model.



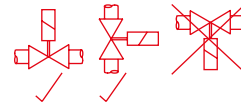
# GB Series

1¼" to 2" – 2/2 Normally Closed



Dimensions given in mm

Preferred Valve Mounting Options



## Solenoid enclosures



### S50 enclosure protection class IP65

- External material: Pressed steel
- Electrical connection: DIN Plug to ISO 4400
- Winding insulation: Class H
- Enclosure: Conforms to IP65 when correct plug gasket is fitted

## Coding chart

### Main Valve Assembly

Model		Valve Body Conn. Size		Connection Type		Operation
34	GB	G	1¼"	1	B521	1 AUTO
		H	1½"	3	NPT	
		J	2"			

Body Material		Seals		Style	
3	Aluminium	A	NBR	1	Standard

### Coil options

Enclosure	Voltage/Frequency/Electrical Connection	
1 Weather proof IP65	N13	230 V / 50 Hz / PR1 AC Voltage
	N23	110 V / 50 Hz / PR1 AC Voltage
	N41	24 VDC / Din plug 9mm DC Voltage

34	•	•	1	Z	3	A	1	-	1	•••
----	---	---	---	---	---	---	---	---	---	-----

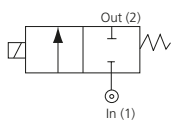
### Product coding example:

34H11Z3A1-1N13 - GB Series  
1½" B521, auto operation, aluminium, NBR seals, 230 V / 50 Hz PR1.



# UGB Series (USA)

- 2/2 Normally Closed

Specifications	
Mode of Operation	Normally Closed, energise to open 
Body Material	Aluminium
Flange Tube	Stainless Steel
Plunger and top stop	Stainless Steel
Springs	Stainless Steel
Seal Material	Nitrile (BunaN) (Std) other options available
Connection Type	NPT
Shading Ring	Copper
Electrical Characteristics	
Coil Voltage AC 60 Hz (-)	24 V, 120 V
Voltage Tolerance	+10% or -10%
Duty Cycle	100% ED
Electrical Connection Options	1/2" NPT metal conduit hub with 18" leads (NEMA 2 equivalent protection class)
Coil Insulation	Class H
Power Rating	1/4" - 1/2" - 14 Watts 3/4" - 1" - 22 Watts

## Features and Benefits

- Approved for mains gas safety shut off
- Suitable for automatic burners
- Suitable for fire protection systems
- Ideal for low pressure Natural gas
- Compliant with Gas Appliance directive
- Fully ported Orifices for high flow
- Zero pressure rated
- Optional pressure test points
- Suitable for 1st, 2nd and 3rd family gases
- Suitable for LPG
- Response time up to 1/2" 15 - 25 ms
- Response time up to 1" 20 - 40 ms
- Consult factory for pressure rating
- Panic buttons & electro thermal links available for controlling valve



Port size	Cv	Kv	OPD (psi)	P. Max psi	Orifice (mm)	Weight (lbs)
			AC Voltages			
1/4"	4.2	3.6	0-2.0	14.5	12.7	0.5
3/8"	5.8	5.0	0-2.0		12.7	0.5
1/2"	6.3	5.4	0-2.0		12.7	0.5
3/4"	15.0	12.9	0-1.5		19.0	0.6
1"	15.7	13.6	0-1.5		19.0	0.7

Kv = flow rate measured with differential pressure at 0.036 psi

## Options Available

Seal Material <sup>1</sup> and Media Temp. Range	Ambient Temperature Range	
	Min	Max
Nitrile (14 °F to +176 °F)	32 °F	140 °F

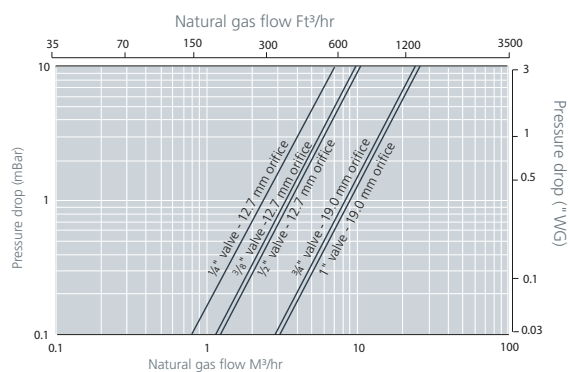
1 See corrosion reference guide and sealing solutions for material compatibility.

## Main valve body options

Stainless Steel Tagging  
(consult factory for product code)

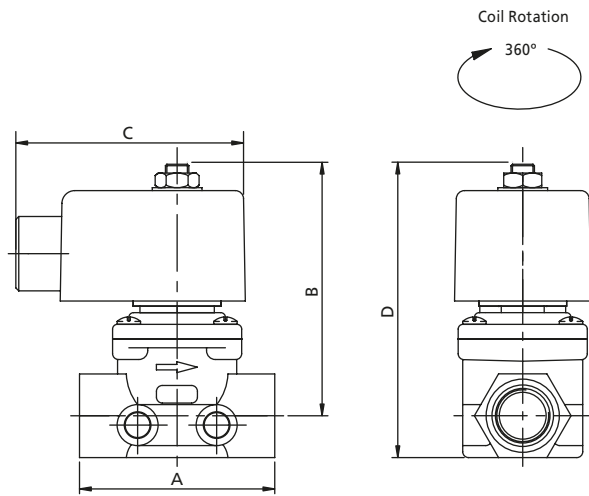
## How to use the flow chart

1. Select the required flow.
2. Note the corresponding pressure drop.
3. Based on where the two points intersect select the most appropriate model.

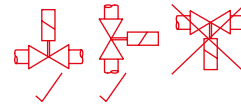


# UGB Series (USA)

- 2/2 Normally Closed



Preferred Valve Mounting Options



## Dimensions

Port size	A	B	C	D
1/4"	2 1/4"	3"	3"	3 5/8"
3/8"	2 1/4"	3"	3"	3 5/8"
1/2"	2 1/4"	3"	3"	3 5/8"
3/4"	3 3/8"	3 9/16"	2 9/16"	4 1/4"
1"	4 3/8"	3 9/16"	2 9/16"	4 7/16"

Dimensions given in inches

## Solenoid enclosures



### S4 Type enclosure protection class IP50

- External material: Pressed steel powder coated
- Electrical entry: 1/2" NPT metal conduit hub with 18" leads (NEMA 2 equivalent protection class)
- Winding Insulation: Class H

## Coding chart

### Main Valve Assembly

Model	Valve Body Conn. Size	Conn. Type	Operation	Orifice (mm)	Body Material	Seals	Style	
34	UGB	B 1/4" C 3/8" D 1/2" E 3/4" F 1"	3 NPT	1 AUTO	Z Default	3 Aluminium	A Nitrile	1 Standard

### Coil options


Enclosure	Voltage / Frequency	Electrical connection	Approval
2	H1 24 V / 60 Hz (1/4" to 1/2" only) H2 120 V / 60 Hz (1/4" to 1/2" only) H5 120 V / 60 Hz (3/4" to 1" only)	9 1/2" NPT	1 UL

### Product coding example:

34B31Z3A1-2H291: UGB Series  
1/4" NPT, Auto, aluminium body, Nitrile seals, 120 V / 60 Hz, 1/2" NPT electrical connection, UL.

# HWA Series

## - 2/2 Normally Closed

Specifications	
Function	Normally Closed, energise to open 
Body Material up to 3"	Aluminium
Body Material above 3"	Cast Iron
Closing Time:	Less than 1 second
Springs	Stainless Steel 302 & 316
Seal Material (Std)	NBR
Connection Type (Std)	BS21 & flanged PN16
Electrical Characteristics	
Coil Voltage AC 50 Hz (-)	110 V, 230 V
Voltage Tolerance	+10% / -15%
Protection Class (Std)	IP5X (BS EN 60529)
Electrical Connection (Std)	Suitable for M20 Conduit
Power Rating (Std)	90 VA, 50 W (Inrush), 9 VA, 9 W (Hold)

Seal Material <sup>1</sup> and Media Temp. Range	Ambient Temperature Range °C	
	Min	Max
NBR (-10 °C to +80 °C)	0	60

<sup>1</sup> See corrosion reference guide and sealing solutions for material compatibility.

### Features and Benefits

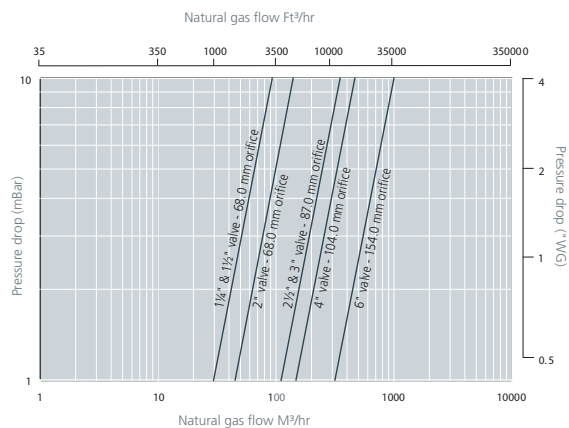
- Approved for mains gas safety shut off
- Suitable for automatic burners
- Suitable for fire protection systems
- Ideal for low pressure natural gas
- Fully ported orifices for high flow
- Zero pressure rated
- Slow opening
- Closed position volt free contacts available
- Fitted with pressure test points as standard
- First, second and third family gases
- Approved to EN161
- Compliant with Gas Appliance Regulation (EU) 2016/426 (GAR)
- Classification: Group 2 controls (BS EN 13611)



Pipe Size	Connection Type	Cv (gpm)	Kv (m <sup>3</sup> /h)	OPD (mBar)	P. Max Bar	Hold VA	Orifice (mm)	Weight (kg)
1¼"	BS21	54	46.5	0-345	5	9	68.00	9.6
1½"	BS21	54	46.5	0-345			68.00	9.6
2"	BS21	95	82	0-345			68.00	9.6
2"	Flanged	95	82	0-345			68.00	11.6
2½"	BS21	157	135	0-345			87.00	10.5
2½"	Flanged	157	135	0-345			87.00	13.1
3"	BS21	188	162	0-345			87.00	10.5
4"	Flanged	226	195	0-345			104.00	38.4
6"	Flanged	423	365	0-200			154.00	62.4

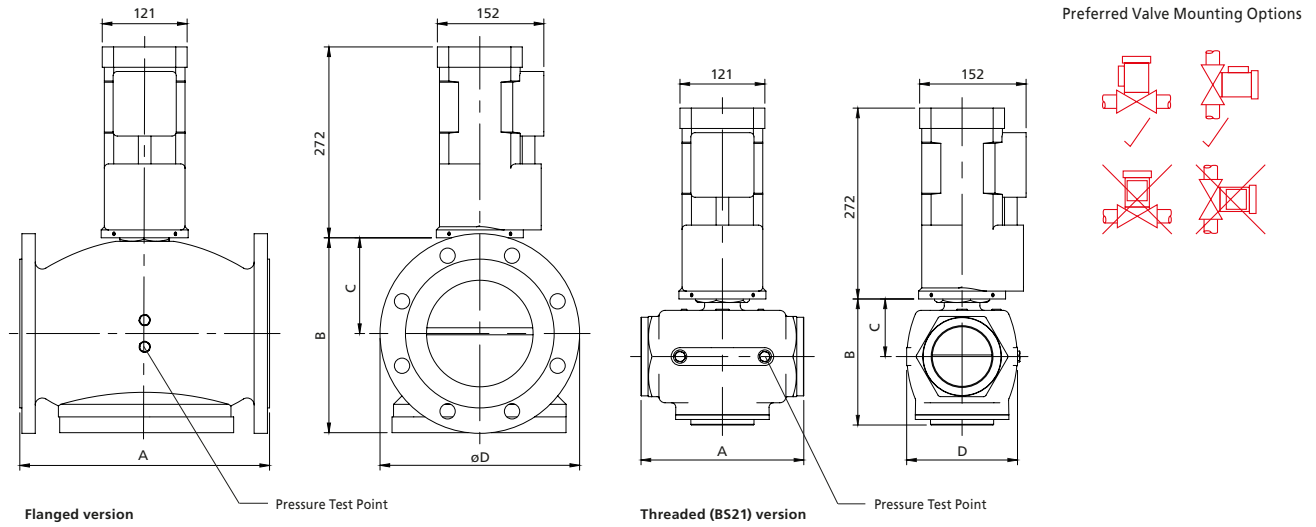
### How to use the flow chart

1. Select the required flow.
2. Note the corresponding pressure drop.
3. Based on where the two points intersect select the most appropriate model.



# HWA Series

- 2/2 Normally Closed



## Dimensions

Pipe Size	A	B (without CPI)	B (with CPI)	C (without CPI)	C (with CPI)	D
1¼" BS21	177.5	150.3	185.7	70.9	106.3	123.1
1½" BS21	177.5	150.3	185.7	70.9	106.3	123.1
2" BS21	177.5	150.3	185.7	70.9	106.3	123.1
2" Flanged	210	150.3	185.7	70.9	106.3	165
2½" BS21	232	180.5	215.9	83.7	119.1	158

Pipe Size	A	B (without CPI)	B (with CPI)	C (without CPI)	C (with CPI)	D
2½" Flanged	290	180.5	215.9	83.7	119.1	185
3" BS21	232	180.5	215.9	83.7	119.1	158
4" Flanged	292	227.8	263.2	94.3	129.7	220
6" Flanged	356	277.8	313.2	136.4	171.8	285

Standard flange size PN16 all others screwed BS21  
Dimensions given in mm

## Coding chart

### Main Valve Assembly

Model		Valve Body Conn. Size <sup>1</sup>		Connection Type		Operation		Body Material		Seals		Style		Enclosure		Voltage / Frequency		Electrical Connection					
49	HWA	G	1¼"	1	BS21	1	AUTO	3	Aluminium (up to and including 3")	A	NBR	1	Standard	7	Motorised	K1	110 V / 50 Hz	0	M20 Conduit				
		H	1½"	4	FLANGED (PN16 STD)			4	Cast Iron (4" and above)							K2	110 V / 50 Hz inc. Closed Position Indicator						
		J	2"													K5	230 V / 50 Hz						
		K	2½"													K6	230 V / 50 Hz inc. Closed Position Indicator						
		L	3"																				
		M	4"																				
		N	6"																				
<b>49</b>		<b>•</b>		<b>•</b>		<b>1</b>		<b>Z</b>		<b>•</b>		<b>A</b>		<b>1</b>		<b>-</b>		<b>7</b>		<b>••</b>		<b>0</b>	

<sup>1</sup> See features chart for available connection types.

### Product coding example:

49M41Z4A1-7K60 - HWA Series  
4" Flanged, closed position indicator, auto operation, cast iron, NBR seals, 230 V / 50 Hz.

### Coil options

Enclosure	Voltage / Frequency	Electrical Connection
7 Motorised	K1 110 V / 50 Hz	0 M20 Conduit
	K2 110 V / 50 Hz inc. Closed Position Indicator	
	K5 230 V / 50 Hz	
	K6 230 V / 50 Hz inc. Closed Position Indicator	

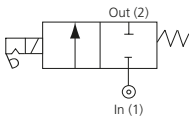
### Spares

Part Number	Description
7K10SA	110 V / 50 Hz actuator (without closed position indicator)
7K20SA	110 V / 50 Hz actuator (with closed position indicator)
7K50SA	230 V / 50 Hz actuator (without closed position indicator)
7K60SA	230 V / 50 Hz actuator (with closed position indicator)

**Important Note:** The new HWA actuator is not compatible with pre-1995 models, identified by an alpha-numeric date code on the valve body. The digits indicate the year and the letter indicates the month i.e. A = January, B = February, etc with M = December - (note the letter 'I' is not used). For example 94J = September 1994. In addition, pre-1995 valves have a flanged centre boss that is fitted to the body with 4 socket head screws, valves post 1995 have a centre boss with a screw in post.

# FACHL Series

## - 2/2 Normally Closed (Manual Reset)

Specifications	
Function	Normally Closed, energise to open 
Maximum Viscosity	115 SSU
1/2" - 1" Body Material (Std)	Brass CZ122
1 1/4" - 2 1/2" Body Material (Std)	Bronze DIN 1705
3"+	Cast Iron Coated
Flange Tube	Stainless Steel 303
Plunger and top stop	Stainless Steel 430FR
Springs	Stainless Steel 302
Seal Material (Std)	NBR
Connection Type (Std)	BS21
Shading Ring	Copper
Electrical Characteristics	
Coil Voltage DC (=)	12 V, 24 V, 110 V
Coil Voltage AC 50 Hz (-)	24 V, 110 V, 120 V, 230 V
Coil Voltage AC 60 Hz (-)	24 V, 110 V, 120v, 220 V
Voltage Tolerance	+10% or -10%
Duty Cycle	100% ED
Protection Class (Std)	IP65 (BS EN 60529) (plug supplied as standard)
Electrical Connection (Std)	G9 Din Connector DIN 43650/ISO 4400 (EN 175301-803) Form 'A'
Coil Insulation	Class H (BS EN 60085) 180 °C (E5/S50 Type)
Power Rating	14.5 Watts, 22 Watts, 19 VA

### Features and Benefits

- Heavy Duty Valve design
- For use with fire protection systems
- Manual Lever reset operation
- No voltage release safety feature
- AC version fitted with DC internal Rectifier
- Designed for Gas, Oil and Liquids
- Suitable for 1<sup>st</sup>, 2<sup>nd</sup> and 3<sup>rd</sup> gas families



Pipe Size	Cv (gpm)	Kv (m <sup>3</sup> /h)	OPD (Bar)	P. Max Bar	Power (Watts)	Orifice (mm)	Weight (kg)
1/2"	3	3	0-2.0	16	14.5	16	1.40
3/4"	9	8	0-2.0		14.5	19	1.90
1"	11	9.5	0-2.0		14.5	22	1.90
1 1/4"	27	23	0-0.35		14.5	38	3.10
1 1/2"	27	23	0-0.35		14.5	38	3.10
2"	55	47	0-0.35		14.5	51	3.70
2 1/2"	74	64	0-0.2		14.5	76	7.80
3"	89	77	0-0.2		14.5	76	7.80
4"²	194	167	0-0.8		22	102	40.50
6"²	384	331	0-0.3		22	152	70.50

² These valves are all flanged connections as standard PN10/16.

### Options Available

Seal Material <sup>1</sup> and Media Temp. Range	Ambient Temperature Range °C	
	Min	Max
NBR (-10 °C to +80 °C)	-10	50
EPDM (-50 °C to +120 °C)	-10	50
FKM (-20 °C to +150 °C)	-10	50

<sup>1</sup> See corrosion reference guide and sealing solutions for material compatibility.

### Main Valve Assembly Options

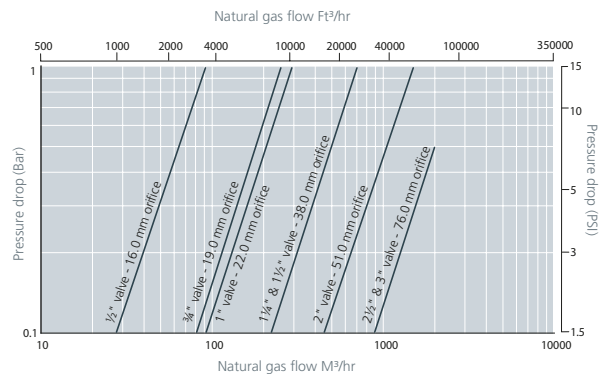
NPT Threads
Stainless steel tagging

### Notes

- If the inlet pressure on the seat area exceeds 18kg the inlet pressure must be exhausted to open the valve.
- Consult factory for flow figures for valves above 2 1/2".

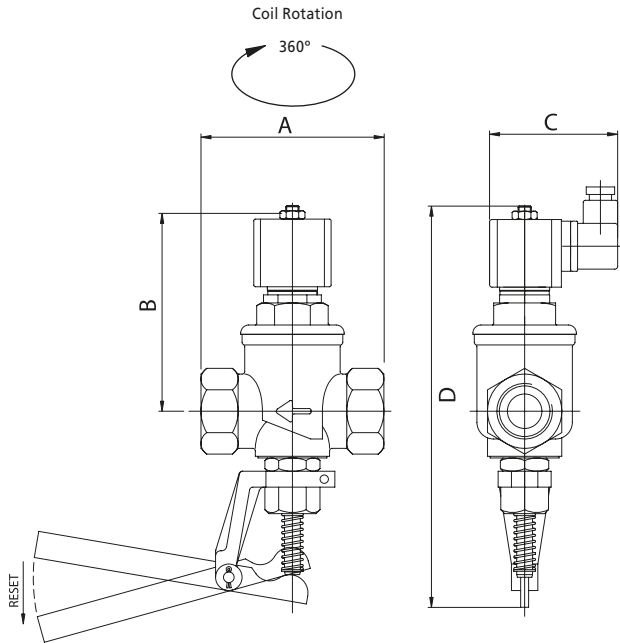
### How to use the flow chart

1. Select the required flow.
2. Note the corresponding pressure drop.
3. Based on where the two points intersect select the most appropriate model.



# FACHL Series

## - 2/2 Normally Closed (Manual Reset)



### Preferred Valve Mounting Options



### Dimensions

Pipe Size	A	B	C	D
1/2"	70	100	75 inc plug	184
3/4"-1"	109	116	75 inc plug	246
1 1/2"	122	122	75 inc plug	258
2"	140	132	75 inc plug	233
2 1/2"	260	137	75 inc plug	273
3"	197	137	75 inc plug	273
4"	292	285	190	577
6"	356	330	260	686

Dimensions given in mm

### Solenoid enclosures

#### E5 Type enclosure protection class IP65

- External material: Glass reinforced nylon
- Electrical connection: DIN Plug to ISO 4400
- Winding insulation: Class H
- Enclosure: Conforms to IP65 when correct plug gasket is fitted as supplied

Used on FACHL valves up to and including 3"



#### S50 enclosure protection class IP65

- External material: Pressed steel
  - Electrical connection: DIN Plug to ISO 4400
  - Winding insulation: Class H
  - Enclosure: Conforms to IP65 when correct plug gasket is fitted
- Used on FACHL valves 4" and above



### Coding chart

#### Main Valve Assembly

Model	Valve Body Conn. Size	Connection Type	Operation
41	FACHL		
	D 1/2"	2 BSP G	3 MANUAL RESET
	E 3/4"	3 NPT	
	F 1"	4 FLANGED (PN16 STD)	
	G 1 1/4"		
	H 1 1/2"		
	J 2"		
	K 2 1/2"		
	L 3"		
	M 4"		
	N 6"		

Body Material	Seals	Style
2 Bronze	A NBR	1 Standard
4 Cast Iron (4" and above)	B EPDM	
	C FKM	

#### Coil options

Enclosure	Voltage / Frequency	Electrical Connection
1 Weather proof IP65	B1 230 V / 50 Hz	1 Din plug 9 mm (For DC only)
	B4 110 V / 50 Hz	
	B2 24 VDC	3 Din plug 9 mm PR1 220/240 110/120
	L1 230 V / 50 Hz (4" and above)	
	L9 110 V / 50 Hz (4" and above)	
	L6 24 VDC (4" and above)	

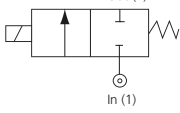
41	.	.	3	Z	.	.	1	-	1	..	.
----	---	---	---	---	---	---	---	---	---	----	---

### Product coding example:

41H23Z2A1-1B21 - FACHL Series  
1 1/2" BSPG, manual reset, bronze body, NBR seals, 24 VDC DIN Plug 9 mm.

# 68 Series

## Cryogenic – 2/2 Normally Closed

Specifications	
Function	Normally Closed, energise to open 
Maximum Viscosity	65cST
¼" - 1" Body Material	Brass (CZ122)
1¼" - 2" Body Material	Bronze
Flange Tube	Stainless Steel 303
Plunger and top stop	Stainless Steel 430FR
Springs	Stainless Steel 302
Seal Material (Std)	PTFE
Connection Type (Std)	BS21
Shading Ring	Copper (Std), Silver (stainless steel option)
Electrical Characteristics	
Coil Voltage DC (=)	12 V, 24 V, 110 V
Coil Voltage AC 50 Hz (-)	24 V, 110 V, 120 V, 230 V
Coil Voltage AC 60 Hz (-)	24 V, 110 V, 120 V, 220 V
Voltage Tolerance	+10% or -10%
Duty Cycle	100% ED
Protection Class (Std)	IP65 (BS EN 60529) (plug supplied as standard)
Electrical Connection (Std)	PG9 Din Connector DIN 43650/ISO 4400 (EN 175301-803) Form 'A'
Coil Insulation	Class H (BS EN 60085) 180 °C
Power Rating	14.5 Watts, 19 VA

### Features and Benefits

- Controls Cryogenic Media down to -196 °C
- Larger Porting for High Kv
- Teflon® - PTFE seals
- Choice of Brass or Stainless steel valve body

### Special Features

- Oxygen Degreased and individually packed for use on liquids down to -196 °C



Pipe Size	Cv (gpm)	Kv (m³/h)	OPD (Bar)		P. Max <sup>2</sup> Bar	Orifice (mm)	Weight (kg)
			AC Voltages	DC Voltages			
¼"	0.52	0.43	0-8.3	0-8.3	50	4.50	0.35
¼"	0.60	0.52	0-8	0-8		6.0	0.35
⅜"	3.5	3.0	0.3-8.6	0.3-8.6		16.00	1.20
½"	4.9	4.2	0.3-8.6	0.3-8.6		16.00	1.20
¾"	6.3	5.4	0.3-8.6	0.3-8.6		16.00	1.20-2.30
1"	8.24	7.1	0.3-8.6	0.3-8.6		25.00	1.20-2.30
1¼"	20.9	18	0.3-8.6	0.3-8.6		32.00	3.10
1½"	20.9	18	0.3-8.6	0.3-8.6		32.00	3.10
2"	20.9	18	0.3-8.6	0.3-8.6		32.00	5.20

<sup>2</sup> P. Max is limited to 46.5 Bar when valve is fitted with an Exd solenoid operator.

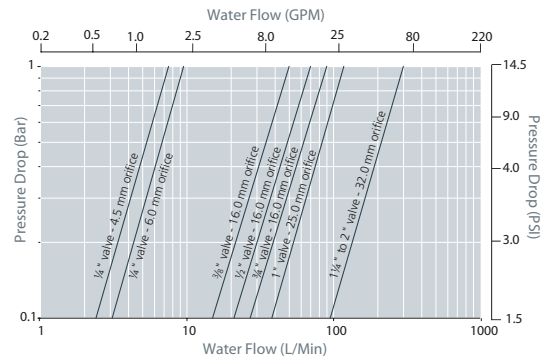
### Options Available

Exd Solenoid Enclosure		Seal Material <sup>1</sup> and Media Temp. Range	Ambient Temperature Range °C		Main Valve Body Options	
Protection Class	Consult Rotork Midland for product codes		Min	Max	Stainless Steel body 316 (available up to and including 1 inch)	
Exd T6 (IP67)		PTFE (-196 °C to +180 °C)	-10	50	NPT Threads	
					Stainless Steel Tagging (consult factory for product code)	

<sup>1</sup> See corrosion reference guide and sealing solutions for material compatibility.

### How to use the flow chart

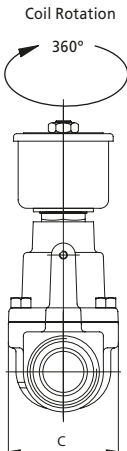
1. Select the required flow.
2. Note the corresponding pressure drop.
3. Based on where the two points intersect select the most appropriate model.



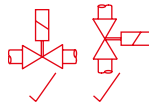
# 68 Series

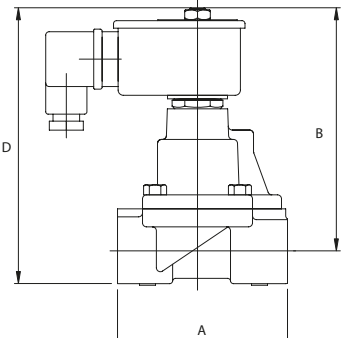
## Cryogenic – 2/2 Normally Closed

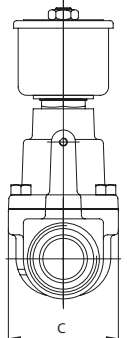
Coil Rotation

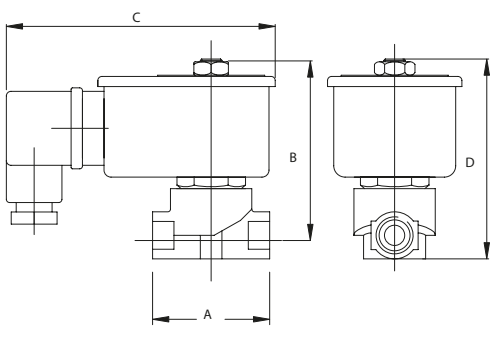


Preferred Valve Mounting Options









Pipe Size	A	B	C	D
3/8" - 1/2"	85	105	105*	122
3/4"-1"	85	135	105*	155
1 1/4"-1 1/2"	117	133	82.5	209
2"	146	145	103	209

Pipe Size	A	B	C	D
1/4"	44	70	105	78

Dimensions given in mm  
\* Dimensions including Din Plug

### Solenoid enclosures



#### S4 Type enclosure protection class IP50

- External material: Pressed steel powder coated
- Electrical entry: Conduit boss 20 mm or 1/2" NPT
- Electrical connection: Screwed terminals or 0.5 mm flying leads, or DIN connector for cryogenic applications
- Winding insulation: Class H

### Coding chart

#### Main Valve Assembly

Model	Valve Body Conn. Size	Connection Type	Operation	Orifice (mm)	Body Material	Seals	Style	Enclosure	Voltage / Frequency	Electrical Connection				
37	B 1/4"	1 BS21	1 AUTO	H 4.5	1 Brass (standard on valves up to and including 1")	E PTFE	1 Standard	2 S4 type enclosure metal can	E2 230 V / 50 Hz	1 DIN plug 9 mm				
	C 3/8"			J 6.0					2 Bronze (standard on valves above 1")		H2 110 V / 50 Hz & 120 V / 60 Hz			
	D 1/2"	Z Default		5 316 Stainless Steel (option available up to and inc 1")		F1 24 VDC								
	E 3/4"	2 BSP G (1 1/4" and above)		3 NPT										
	F 1"													
	G 1 1/4"													
	H 1 1/2"													
	J 2"													
	<b>37   •   •   1   •   •   E   1   -   2   ••   1</b>													

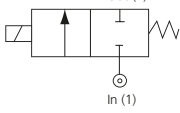
#### Product coding example:

37C11Z1E1-2E21 - 68 Series cryogenic  
3/8" BS21, auto operation, brass body, PTFE seals, S4 enclosure 230 V / 50 Hz DIN Plug 9 mm.



# 68 Series (USA)

## Cryogenic – 2/2 Normally Closed

Specifications	
Mode of Operation	Normally Closed, energise to open 
Special Features	Oxygen degreased and individually packed for use with liquids down to -321 °F
Maximum Viscosity	65 cST
1/4" to 1" Body Material	Brass (Std) or Stainless Steel option 1 1/4" to 2" Body Material – Bronze
Flange Tube	Stainless Steel
Plunger and top stop	Stainless Steel
Springs	Stainless Steel
Seal Material	PTFE (Teflon)
Connection Type	NPT
Electrical Characteristics	
Coil Voltage DC (=)	12 V, 24 V
Coil Voltage AC 60 Hz (-)	24 V, 120 V
Voltage Tolerance	+10% or -10%
Duty Cycle	100% ED
Electrical Connection	1/2" NPT metal conduit hub with 18" leads (NEMA 2 equivalent protection class)
Coil Insulation	Class H
Power Rating	14.5 Watts

### Features and Benefits

- Controls Cryogenic Media down to -321 °F
- Degreased and individually Packaged for Cryogenic Service
- Larger Porting for High Kv
- Teflon® - PTFE seals
- Choice of Brass or Stainless steel valve body
- Tested in accordance with BS-EN 12266-1



Port Size	Cv	Kv	OPD (psi)		P. Max psi	Orifice (mm)	Weight (lbs)
			AC Voltages	DC Voltages			
1/4"	0.52	0.43	0-120	0-120	725	4.50	1
1/4"	0.60	0.52	0-116	0-116		6.0	
3/8"	3.50	3.0	5-125	5-125		16.00	2.8
1/2"	4.90	4.2	5-125	5-125		16.00	
3/4"	6.3	5.4	5-125	5-125		16.00	
1"	8.24	7.1	5-125	5-125		25.00	5.0
1 1/4"	20.9	18	5-125	5-125		30.00	6.8
1 1/2"	20.9	18	5-125	5-125		30.00	
2"	20.9	18	5-125	5-125		32.00	11.5

### Options Available

Solenoid Enclosure	
Protection Class	
EExd T6 (NEMA 6 equivalent)	Consult Rotork Midland for product codes
EExd T4 (NEMA 6 equivalent)	

Seal Material <sup>1</sup> and Media Temp. Range	Ambient Temperature Range	
	Min	Max
PTFE (-321 °F to +356 °F)	14 °F	122 °F

Main Valve Body Options
Stainless Steel 316
Stainless Steel Tagging (consult factory for product code)

<sup>1</sup> See corrosion reference guide and sealing solutions for material compatibility.

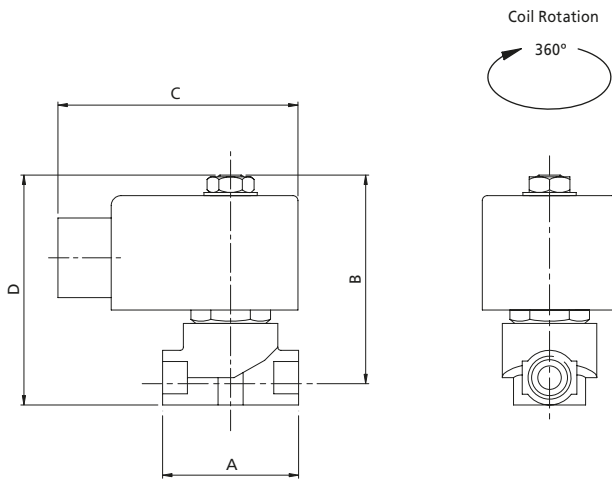
### How to use the flow chart

1. Select the required flow.
2. Note the corresponding pressure drop.
3. Based on where the two points intersect select the most appropriate model.

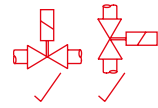


# 68 Series (USA)

Cryogenic – 2/2 Normally Closed



Preferred Valve Mounting Options



Port size	A	B	C	D
1/4"	1 3/4"	2 3/4"	2 9/16"	3 1/16"
3/8 - 3/4"	2 1/2"	4 1/8"	2 5/16"	4 13/16"
1"	4 7/16"	4 15/16"	3 1/16"	5 3/4"
1 1/4 - 1 1/2"	4 5/8"	5 1/4"	2 7/8"	7 1/16"
2"	5 3/4"	5 11/16"	3 3/4"	8 1/4"

Dimensions given in inches

## Solenoid enclosures



### S4 Type enclosure protection class IP50

External material: Pressed steel powder coated  
 Electrical entry: 1/2" NPT metal conduit hub with 18" leads (NEMA 2 equivalent protection class)  
 Winding Insulation: Class H

## Coding chart

### Main Valve Assembly

Model	Valve Body Conn. Size	Connection Type	Operation	Orifice (mm)	Body Material	Seals	Style
37 68 series	B 1/4" C 3/8" D 1/2" E 3/4" F 1" G 1 1/4" H 1 1/2" J 2"	3 NPT	1 AUTO	H 4.5 J 6.0 Z Default	1 Brass (standard on valves up to and including 1") 2 Bronze (standard on valves above 1") 5 316 Stainless Steel (option available up to and inc 1")	E PTFE	1 Standard

### Coil options

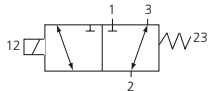
Enclosure	Voltage / Frequency	Electrical Connection	Approval
2 S4 type enclosure - metal can (IP50) UL Approved	F1 24 VDC F4 12 VDC H1 24 V / 60 Hz H2 120 V / 60 Hz	9 1/2" NPT	8 Non UL

### Product coding example:

37D31Z1E1-2H298: 68 series  
 1/2" NPT, auto, brass body, PTFE seals, 120 V / 60 Hz, 1/2" NPT electrical connection, Non UL.

# 67 Series

## - 3/2 Universal

Specifications	
Function	Normally Closed, energise to open 
Maximum Viscosity	115 SSU
Body Material (Std)	Stainless Steel 316L
Flange Tube	Stainless Steel 303
Plunger and Top Stop	Stainless Steel 430FR
Springs	Stainless Steel 302
Seal Material (Std)	NBR
Connection Type (Std)	BS21
Shading Ring	Silver (stainless steel option)
Electrical Characteristics	
Coil Voltage DC (=)	12 V, 24 V, 110 V
Coil Voltage AC 50 Hz (~)	24 V, 110 V, 120 V, 230 V
Coil Voltage AC 60 Hz (~)	24 V, 110 V, 120 V, 220 V
Voltage Tolerance	+10% or -10%
Duty Cycle	100% ED
Protection Class (Std)	IP65 (BS EN 60529) (plug supplied as standard)
Electrical Connection (Std)	PG9 Din Connector DIN 43650/ISO 4400 (EN 175301-803) Form 'A'
Coil Insulation	Class H (BS EN 60085) 180 °C (E5 Type)
Power Rating	14.5 Watts, 19 VA

### Features and Benefits

- 316L stainless steel body construction
- Manual override option
- Satisfy all relevant EC directives
- Normally open, normally closed and diverting (universal)
- Diaphragm Operation
- Compact unit
- Response time 1" 75-100 ms



Pipe Size	Cv (gpm)	Kv (m³/h)	OPD (Bar)		P. Max Bar	Orifice (mm)	Weight (kg)
			AC Voltages	DC Voltages			
¼"	0.86	0.73	0-10	0-10	20	8.80	0.90
⅜"	0.86	0.73	0-10	0-10		8.80	0.90
½"	0.86	0.73	0-10	0-10		8.80	0.90

### Options Available

Exd Solenoid Enclosure	
Protection Class	See PUB117-011-00
Exd T6 (IP67)	
Exd T4 (IP67)	
Exm T5 (IP65)	

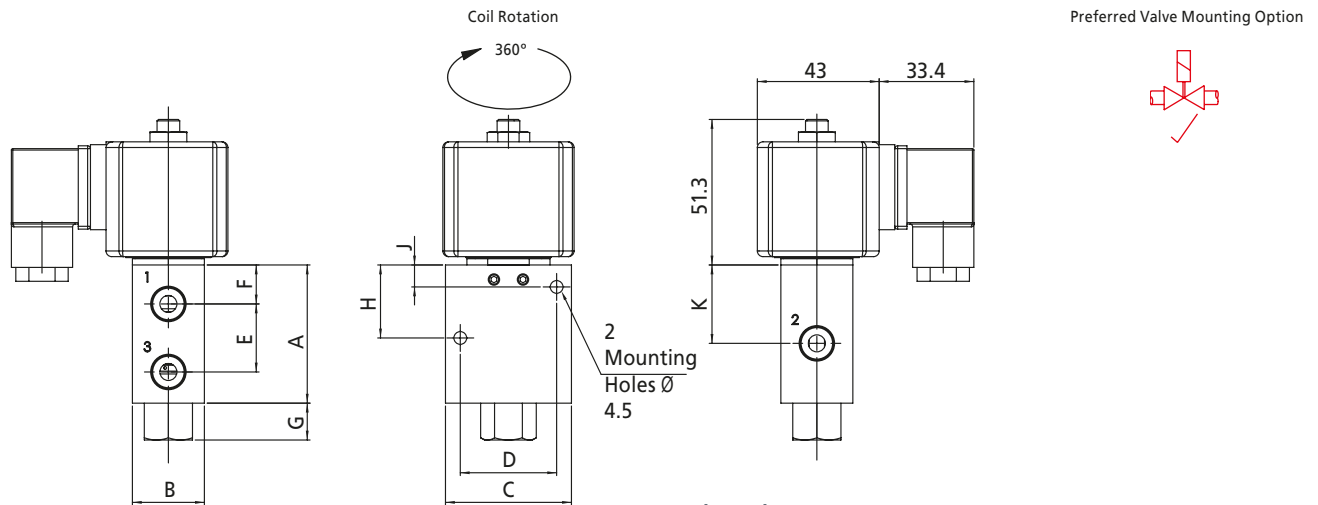
Main Valve Body Options
NPT threads
Manual Override
Oxygen cleaning (consult Rotork Midland for product code)

Seal Material <sup>1</sup> and Media Temp. Range	Ambient Temperature Range °C	
	Min	Max
NBR (-10 °C to +80 °C)	-10	50
EPDM (-50 °C to +120 °C)	-10	50
FKM (-20 °C to +150 °C)	-10	50

<sup>1</sup> See corrosion reference guide and sealing solutions for material compatibility.

# 67 Series

- 3/2 Universal



### Dimensions

Size	A	B	C	D	E	F	G	H	J	K	K
1/4"	48.75	25.4	44.45	34	24	13.75	13	25.75	7.75	27.65	27.65
3/8"	65.65	31.75	63.5	42	33.5	16.75	13	33.25	9.25	33.25	33.25
1/2"	65.65	31.75	63.5	42	33.5	16.75	13	33.25	9.25	33.25	33.25

Dimensions given in mm

### Solenoid enclosures



#### E5 Type enclosure protection class IP65

- External material: Glass reinforced nylon
- Electrical connection: DIN Plug to ISO 4400
- Winding insulation: Class H
- Enclosure: Conforms to IP65 when correct plug gasket is fitted as supplied

### Coding chart

#### Main Valve Assembly

Model	Valve Body Conn. Size	Connection Type	Operation
33 67 Series 3/2	B 1/4" C 3/8" D 1/2"	1 BS21 3 NPT	1 AUTO 2 MANUAL OVERRIDE

Body Material	Seals	Style
5 316 Stainless Steel	A NBR B EPDM C FKM	1 Standard

#### Coil options

Enclosure	Voltage / Frequency	Electrical Connection
1 Weather proof IP65	A1 230 V / 50 Hz	1 <sup>1</sup> DIN plug 9 mm
	A2 110 V / 50 Hz & 120 V / 60 Hz	
	A3 24 V / 50 Hz	3 <sup>2</sup> Plug Rectified A/C
	B2 24 VDC	
	B3 12 VDC	
B5 110 VDC		

33	.	.	.	Z	5	.	1	-	1	..	.
----	---	---	---	---	---	---	---	---	---	----	---

<sup>1</sup> DC only  
<sup>2</sup> AC only

#### Product coding example:

33B31Z5A1-1B13 - 67 Series  
1/4" NPT, auto operation, stainless steel body, NBR seals, 230 V / 50 Hz PR 1220/240.

# NAMUR Series

– 3/2 or 5/2 Universal

Specifications	
Function	
Media	Air
Maximum Viscosity	115 SSU
Body Material (Std)	Anodised Aluminium
Flange Tube	Brass
Plunger and top stop	Stainless Steel 430FR
Springs	Stainless Steel 302
Seal Material (Std)	NBR
Electrical Characteristics	
Coil Voltage DC (=)	12 V, 24 V, 110 V
Coil Voltage AC 50 Hz (-)	24 V, 110 V, 120 V, 230 V
Coil Voltage AC 60 Hz (-)	24 V, 110 V, 120 V, 220 V
Voltage Tolerance	+10% or -10%
Duty Cycle	100% ED
Protection Class (Std)	IP65 (BS EN 60529) (plug supplied as standard)
Electrical Connection (Std)	PG9 Din Connector DIN 43650/ISO 4400 (EN 175301-803) Form 'A'
Coil Insulation	Class F (BS EN 60085) 155 °C (E5 type)
Power Rating	5 watts

## Features and Benefits

- Ideal for in-line system service and repair
- Choice of valve body material seals
- Manual Override
- Low power LED Light
- Dual Coil option
- Exd, Exia and Exm compatible
- Max cycle frequency 5/sec



Pipe Size	Cv (gpm)	Kv (m <sup>3</sup> /h)	OPD (Bar)	P. Max Bar	Weight
¼"	1.4	1.2	2.5-10	10	0.50

## Options Available

Exd & Exm Solenoid Enclosure		
Protection Class	See separate datasheet	
Exd T6 (IP67)		
Exd T4 (IP67)		
Exm		
Exia		

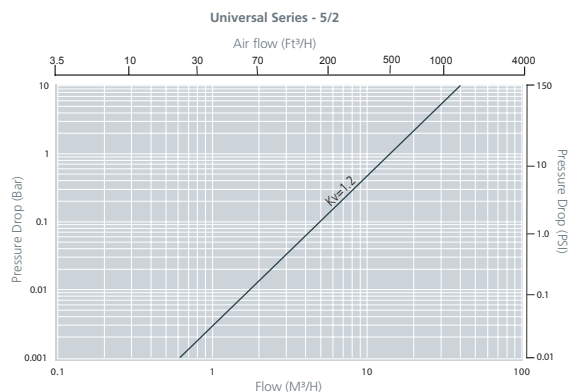
  

Seal Material <sup>1</sup> and Media Temp. Range	Ambient Temperature Range °C	
	Min	Max
NBR (-10 °C to +80 °C)	-10	50

<sup>1</sup> See corrosion reference guide and sealing solutions for material compatibility.

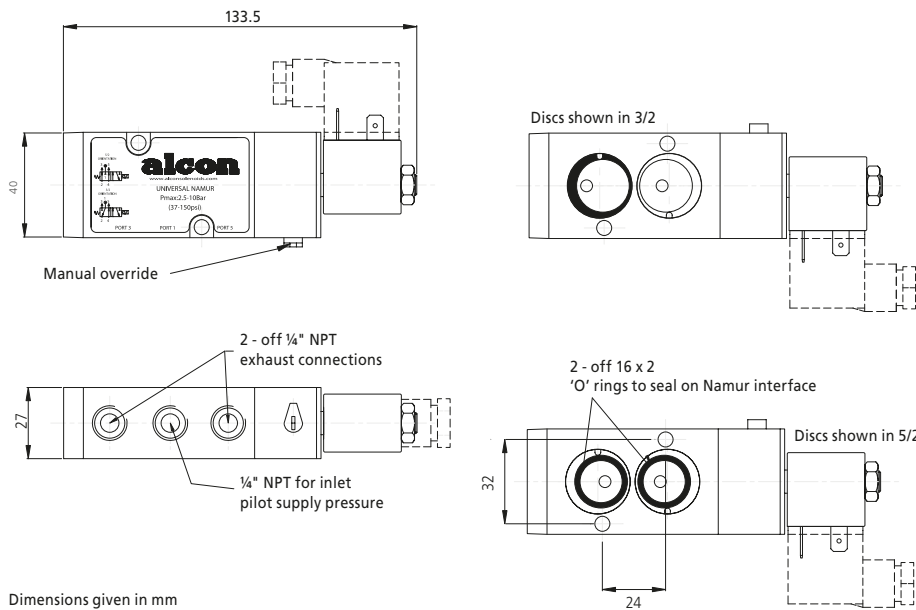
## How to use the flow chart

1. Select the required flow.
2. Note the corresponding pressure drop.
3. Based on where the two points intersect select the most appropriate model.

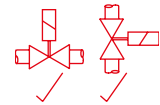


# NAMUR Series

- 3/2 or 5/2 Universal



Preferred Valve Mounting Options



## Solenoid enclosures



### S7 enclosure protection class IP65

External material: Nylon  
 Electrical connection: DIN Plug to ISO 4400  
 Winding insulation: Class F  
 Conforms to IP65 when correct plug seal gasket is fitted

## Coding chart

### Main Valve Assembly

Model	Valve Body Conn. Size	Connection Type	Operation
65 Namur	B 1/4"	3 NPT	2 MANUAL OVERRIDE

Body Material	Seals	Style
3 Aluminium	A NBR	1 Standard

### Coil options

Enclosure	Voltage / Frequency	Electrical Connection
1 Weather Proof IP65	R5 230 V / 50 Hz	1 Din Plug 9 mm
	QY 110 V / 50 Hz	
	R1 120 V / 60 Hz	
	24 VDC	

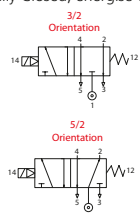
65	B	3	2	Z	3	A	1	-	1	**	1
----	---	---	---	---	---	---	---	---	---	----	---

### Product coding example:

65B3Z23A1-1R51 - Namur Series  
 1/4" NPT, manual override, aluminium, NBR seals, 230 V / 50 Hz DIN Plug 9 mm.

# NAMUR Series (USA)

- 3/2, 5/2 Universal

Specifications	
Mode of Operation	Normally Closed, energise to open 
Media	Air
Body Material	Anodised Aluminium
Flange Tube	Brass
Plunger and top stop	Stainless Steel
Springs	Stainless Steel
Seal Material	Nitrile (BunaN) (Std)
Electrical Characteristics	
Coil Voltage DC (=)	24 V
Coil Voltage AC 60 Hz (~)	120 V
Voltage Tolerance	+10% or -10%
Duty Cycle	100% ED
Electrical Connection Options	9mm din connector (NEMA 4 equivalent protection class)
Coil Insulation	Class F
Power Rating	5 Watts

## Features and Benefits

- Ideal for in-line system service and repair
- Manual Override
- Low power LED Light
- Dual Coil option
- Exd and Exia compatible
- Max cycle frequency 5/sec



## Options Available

Solenoid Enclosure	
Protection Class	
EExd T6 (NEMA 6 equivalent)	See separate datasheet
EExd T4 (NEMA 6 equivalent)	

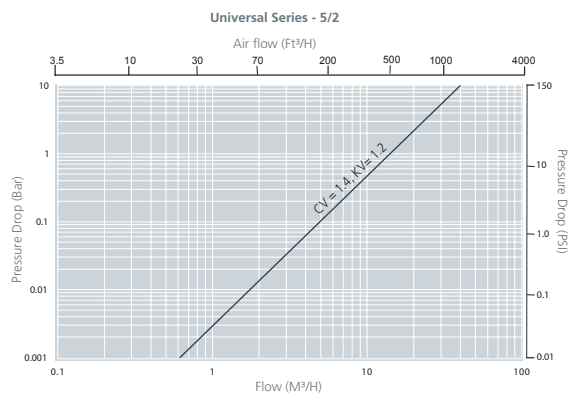
Port Size	Cv	Kv	OPD (psi)		P. Max psi	Weight (lbs)
			AC Voltages	DC Voltages		
¼"	1.4	1.2	36-150	36-150	150	0.4

Seal Material <sup>1</sup> and Media Temp. Range	Ambient Temperature Range	
	Min	Max
Nitrile (14 °F to +176 °F)	14 °F	122 °F

<sup>1</sup> See corrosion reference guide and sealing solutions for material compatibility.

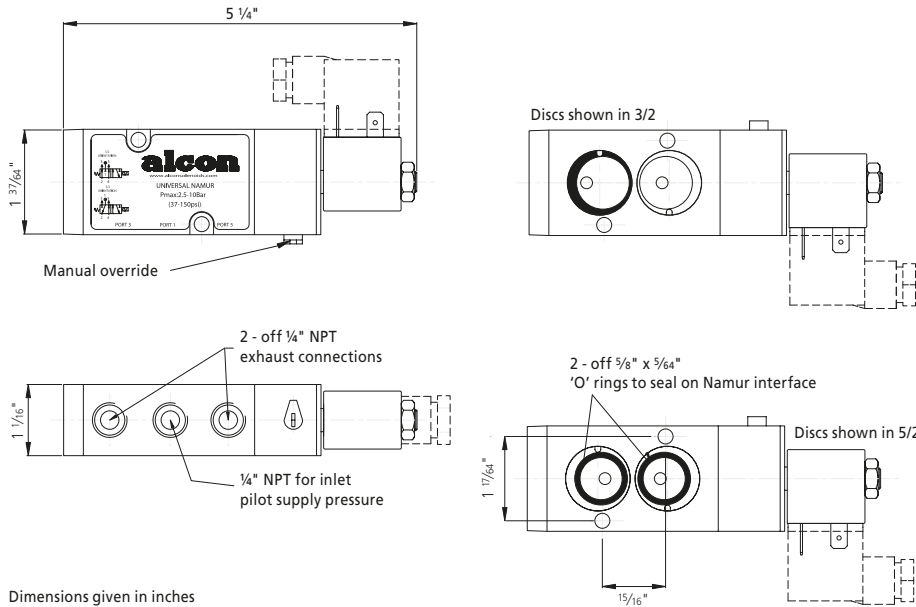
## How to use the flow chart

1. Select the required flow.
2. Note the corresponding pressure drop.
3. Based on where the two points intersect select the most appropriate model.

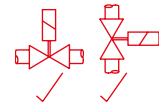


# NAMUR Series (USA)

- 3/2, 5/2 Universal



Preferred Valve Mounting Options



Dimensions given in inches

## Solenoid enclosures



### S7 enclosure protection class IP65 (NEMA 4 equivalent)

External material: Nylon  
 Electrical connection: DIN Plug to ISO 4400  
 Winding: Insulation Class F  
 Conforms to IP65 when correct plug seal gasket is fitted.

## Coding chart

### Main Valve Assembly

Model		Size		Connection Type		Operation		Orifice (mm)		Body Material		Seals		Style	
65	Namur	B	1/4"	3	NPT	2	Manual Override	Z	Default	3	Aluminium	A	Nitrile	1	Standard
65	B	3	2	Z	3	A	1	-	1	8					

### Coil options

Enclosure		Voltage / Frequency		Electrical Connection		Approval	
1	Weather Proof IP65 (NEMA 4)	QY	120 V / 60 Hz	1	Din plug 9mm	8 <sup>1</sup>	Non UL
		R1	24 VDC				

<sup>1</sup> Not needed for DC option.

### Product coding example:

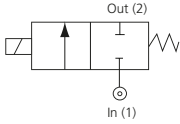
65B32Z3A1-1QY18:  
 Namur, IP65 (NEMA 4 equivalent), 1/4" NPT, manual override, Aluminium body, Nitrile seals, 120 V / 60 Hz, electrical connection 9 mm DIN.



# 21 Series Exd & Exm

- 2/2 Normally Closed

ATEX

Specifications	
Function	Normally Closed, energise to open 
Maximum Viscosity	115 SSU
Body Material (Std)	Brass CZ122
Flange Tube	Stainless Steel 303
Plunger and top stop	Stainless Steel 430FR
Springs	Stainless Steel 302
Seal Material (Std)	NBR
Connection Type (Std)	BS21
Shading Ring	Copper (std), Silver (stainless steel option)
Electrical Characteristics	
Coil Voltage DC (=)	24 V, 110 V
Coil Voltage AC 50 Hz (-)	24 V, 110 V, 230 V
Voltage Tolerance	+10% or -10%
Duty Cycle	100% ED
Protection Class (Exd)	Exd IIC T6 (-50 °C to +40 °C) (IP67 BS EN 60529)
Protection Class (Exm)	Exm II 2 G T5 (-20 °C to +40 °C) (IP65 BS EN 60529)
Electrical Connection (Exd)	Via terminal block (max wire diameter 1.6 mm)
Electrical Connection (Exm)	2 metre lead 3 core
Coil Insulation	Class H (BS EN 60085) 180 °C (E5 type)
Power Rating	19 VA ,14.5 Watts

## Features and Benefits

- Compact valve design
- Zero pressure rated
- Wide range of available orifices
- Choice of valve body material and seals
- Exd and Exm options
- Choice of electrical connections
- ATEX approved
- Response time 5-25 ms



Pipe Size	Cv (gpm)	Kv (m³/h)	OPD (Bar)		P. Max Bar	Orifice (mm)	Protection Class	Weight (kg) excluding Solenoid
			AC Voltages	DC Voltages				
¼"	0.12	0.10	0-45	0-40	46.5	1.6	Exd T6	0.4
¼"	0.24	0.21	0-20	0-20		2.4	Exd T6	
¼"	0.35	0.30	0-15	0-10		3.0	Exd T6	
¼"	0.53	0.46	0-7.0	0-5.5		4.5	Exd T6	
¼"	0.70	0.60	0-4.0	0-2.7		6.0	Exd T6	
¼"	0.12	0.10	0-45	0-40	60	1.6	Exm T5	0.4
¼"	0.24	0.21	0-20	0-20		2.4	Exm T5	
¼"	0.35	0.30	0-15	0-10		3.0	Exm T5	
¼"	0.53	0.46	0-7.0	0-5.5		4.5	Exm T5	
¼"	0.70	0.60	0-4.0	0-2.7		6.0	Exm T5	

## Options Available

Solenoid Enclosure		
Protection Class	Electrical Entry	Enclosure Material
Exd T6 (IP67)	M20 x 1.5 Female (Std) (½" NPT conduit entry option)	Aluminium (Std) Stainless Steel optional
Exd T4 (IP67)		
Exm T5 (IP65)	M16 x 1.5 male flying lead	Powder coated metal

Seal Material <sup>1</sup> and Media Temp. Range	EXD		
	Ambient Temperature Range °C		
	Min	Max (T6)	Max (T4)
NBR (-10 °C to +80 °C)	-10	40	70
EPDM (-50° to +120 °C)	-50	40	70
FKM (-20 °C to +150 °C)	-20	40	70
PTFE (-200 °C to +180 °C)	-50	40	70

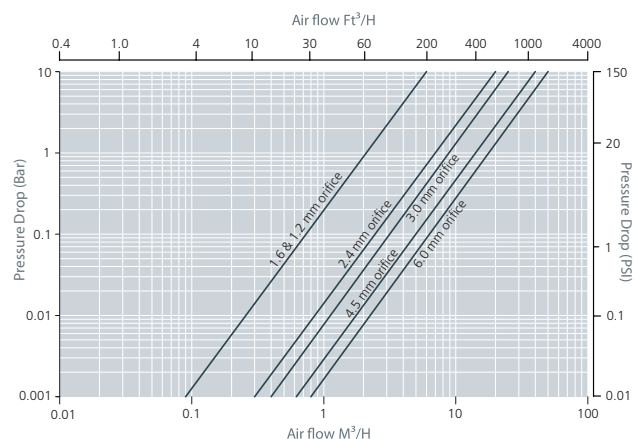
EXM	
Ambient Temperature Range °C	
Min	Max (Exm)
-10	40
-20	40
-20	40
-20	40

Main valve body options
Stainless Steel 316
Manual Override
NPT Threads
Stainless Steel Tagging (consult factory for product code)

1 See corrosion reference guide and sealing solutions for material compatibility.

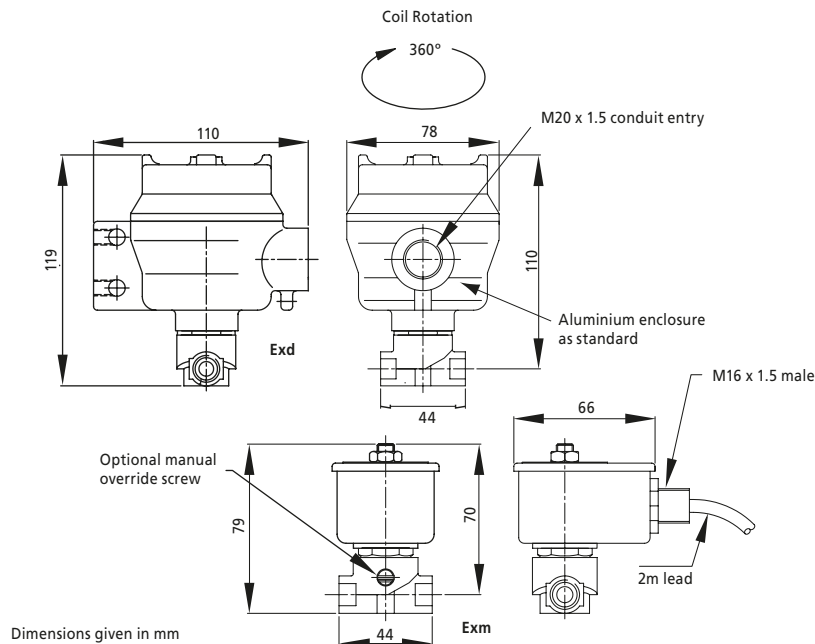
## How to use the flow chart

1. Select the required flow.
2. Note the corresponding pressure drop.
3. Based on where the two points intersect select the most appropriate model.

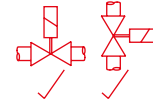


# 21 Series Exd & Exm

- 2/2 Normally Closed



Preferred Valve Mounting Options



## Solenoid enclosures



### Exd enclosure

Power consumption: Holding 19 VA, 12 V to 230 V 50 / 60 Hz.  
14.5 W, 12 V to 212 VDC

External material: Powder coated aluminium or 316 st.st. enclosure with st.st. nameplate

Electrical entry: M20 x 1.5 or 1/2" NPT conduit entry

Protection Class: II 2 G Exd IIC T6 for ambient temp -50 °C to +40 °C

Optional: II 2 G Exd IIC T4 for ambient temp -50 °C to +70 °C

Additional Weight 0.8 kg - Aluminium or 1.5 kg - Stainless Steel

### Exm enclosure

Power consumption: Holding 16 VA, 12 V to 230 V 50 / 60 Hz.  
10W 12, 24 VDC

External material: powder coated metal enclosure with st.st. nameplate

Electrical entry: 2 metre length of approved 3 core cable with M16 conduit male winding insulation class

Protection Class: II 2 G Exm II T5 for ambient temperatures -20 °C to +40 °C

Additional weight: 0.5 kg

## Coding chart

### Main Valve Assembly

Model	Size	Connection Type	Operation	Orifice (mm)	Body Material	Seals	Style		
11	21 Series	B	1/4"	1 BS21 3 NPT	1 AUTO 2 MANUAL OVERRIDE	C 1.6 E 2.4 F 3.0 H 4.5 J 6.0	1 Brass CZ122 5 316 Stainless Steel	A NBR B EPDM C FKM E PTFE	1 Standard (inc.Exm) 3 Exd

### Product coding example:

11B11E5A3-6E259 - 21 Series  
1/4" BS21, auto operation, 2.4 mm orifice stainless steel body, NBR seals, Exd T6, stainless steel housing 230 V / 50 Hz M20 x 1.5.

### Coil options

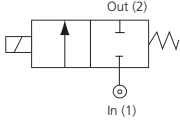
Enclosure	Voltage / Frequency	Electrical connection	Approval
5 Exd Aluminium	E2 230 V / 50 Hz	5 M20 x 1.5	9 Atex T6 949 Atex T4
6 Exd Stainless Steel	H2 110 V / 50 Hz & 120 V / 60 Hz F1 24 V / DC	9 1/2" NPT	

Enclosure	Voltage / Frequency	Electrical connection
4 Exm	M1 230 V / 50 Hz M2 110 V / 50 Hz M4 24 V / DC	E 3 meter lead M16 Exm option only

# U21 Series Ex (USA)

- 2/2 Normally Closed

Specifications	
Mode of Operation	Normally Closed, energise to open 
Maximum Viscosity	115 SSU
Body Material	Brass or Stainless Steel option
Flange Tube	Stainless Steel
Plunger and top stop	Stainless Steel
Springs	Stainless Steel
Seal Material	Nitrile (BunaN) (Std) other options available
Connection Type	NPT
Shading Ring	Copper (std), Silver (stainless steel option)
Electrical Characteristics	
Coil Voltage DC (=)	12 V, 24 V
Coil Voltage AC 60 Hz (-)	24 V, 120 V
Voltage Tolerance	+10% or -10%
Duty Cycle	100% ED
Protection Class (Exd)	II 2 G Ex d IIC T4 Tamb (-58 °F to +158 °F) (NEMA 6 equivalent) II 2 G Ex d IIC T6 Tamb (-58 °F to +104 °F) (NEMA 6 equivalent) Class 1 Zone 1 Groups IIA, IIB, IIC gases
Electrical Connection (Exd)	½" NPT Port (Std)
Coil Insulation	Class H
Power Rating	14.5 Watts

## Features and Benefits

- Compact valve design
- Zero pressure rated
- Wide range of available orifices
- Choice of valve body material and seals
- Choice of electrical connections
- ATEX approved
- Response time 5-25 ms
- Tested in accordance with BS-EN 12266-1



Port size	Cv	Kv	OPD (psi)		P. Max psi	Orifice (mm)	Protection Class	Weight (lbs) excluding solenoid
			AC Voltages	DC Voltages				
¼"	0.12	0.10	0-675	0-310	675	1.6	Exd T6	0.8
¼"	0.24	0.21	0-300	0-140		2.4	Exd T6	
¼"	0.35	0.30	0-225	0-65		3.0	Exd T6	
¼"	0.53	0.46	0-105	0-34		4.5	Exd T6	
¼"	0.70	0.60	0-60	0-15		6.0	Exd T6	

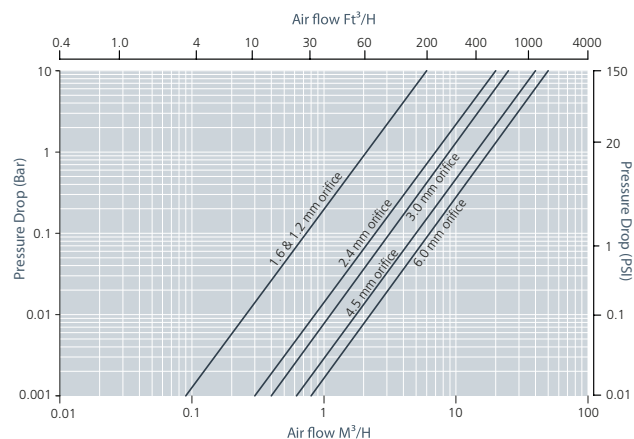
## Options Available

Solenoid Enclosure			Seal Material <sup>1</sup> and Media Temp. Range			Ambient Temperature Range			Main valve body options	
Protection Class	Electrical Entry	Enclosure Material		Min	Max (T6)	Max (T4)				
Exd T4 (NEMA 6 equivalent)	½" NPT conduit (std) M20 X 1.5 conduit (option)	Aluminium (Std) Stainless Steel optional	Nitrile (14 °F to +176 °F)	14 °F	104 °F	158 °F			Stainless Steel 316	
Exd T6 (NEMA 6 equivalent)			EPDM (-58 °F to +248 °F)	-58 °F	104 °F	158 °F			Manual Override	
			Viton (-4 °F to +302 °F)	-4 °F	104 °F	158 °F			Stainless Steel Tagging (consult factory for product code)	
			PTFE (-328 °F to +356 °F)	-58 °F	104 °F	158 °F				

1 See corrosion reference guide and sealing solutions for material compatibility.

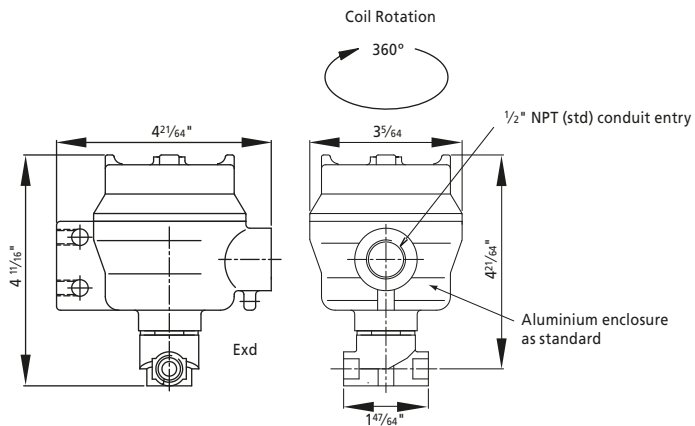
## How to use the flow chart

1. Select the required flow.
2. Note the corresponding pressure drop.
3. Based on where the two points intersect select the most appropriate model.

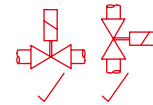


# U21 Series Ex (USA)

- 2/2 Normally Closed



Preferred Valve Mounting Options



Dimensions given in inches

## Solenoid enclosures

### Exd S4 type enclosure

- Power consumption: Holding 19 VA, 12 V to 230 V 50 / 60 Hz. 14.5 W, 12 V to 212 VDC
- External material: Powder coated aluminium or 316 st.st. enclosure with st.st. nameplate
- Electrical entry: M20 x 1.5 or 1/2" NPT conduit entry
- Protection Class: II 2 G Exd IIC T6 for ambient temp -58 °F to +104 °F
- Optional: II 2 G Exd IIC T4 for ambient temp -58 °F to +158 °F
- Weight: 1.8 lbs Aluminium or 3.3 lbs - Stainless Steel

### CSA approval

- Alcon flame proof enclosures are suitable for the following areas / gases:
  - Zones 1 & 2
  - Class 1 Division 1
  - Class 1 Division 2
- Groups: IIA, IIB, IIC gases



## Coding chart

### Main Valve Assembly

Model	Size	Connection Type	Operation	Orifice (mm)	Body Material	Seals	Style	Enclosure	Voltage / Frequency	Electrical connection	T Rating
11 U21 Series	B 1/4"	3 NPT	1 AUTO	C 1.6	1 Brass	A Nitrile	3 Exd	5 Exd Aluminium	F1 24VDC	5 M20x1.5	9 Atex T6
			2 MANUAL OVERRIDE	E 2.4	5 316 Stainless Steel	B EPDM		6 Exd Stainless Steel	F4 12VDC	9 1/2"NPT	949 Atex T4
				F 3.0		C VITON			H1 24 V / 60 Hz		G Atex T6 (CSA)
				H 4.5		E PTFE			H2 120 V / 60 Hz		I Atex T4 (CSA)
				J 6.0							
11	B	3	•	•	•	•	3	-	•	••	•

### Coil options

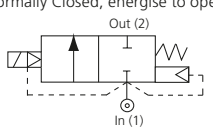
### Product coding example:

11B31E1A3-5H29G: 21 Series 1/4" NPT, Auto, 2.4 mm orifice, brass body, nitrile seals, Exd Aluminium housing 120 V / 60 Hz, 1/2" NPT electrical connection, ATEX T6 CSA approved.

# ACD Series Exd & Exm

- 2/2 Normally Closed

ATEX

Specifications	
Function	Normally Closed, energise to open 
Maximum Viscosity	115 SSU
3/8" - 1" Body Material (Std)	Brass CZ122
1 1/4" - 2" Body Material (Std)	Bronze DIN 1705
Flange Tube	Stainless Steel 303
Plunger and top stop	Stainless Steel 430FR
Springs	Stainless Steel 302
Seal Material (Std)	NBR
Connection Type (Std)	BS21
Shading Ring	Copper (std), Silver (stainless steel option)
Electrical Characteristics	
Coil Voltage DC (=)	24 V, 110 V
Coil Voltage AC 50 Hz (-)	110 V, 230 V
Voltage Tolerance	+10% or -10%
Duty Cycle	100% ED
Protection Class (Exd)	Exd IIC T6 (-50 °C to +40 °C) (IP67 BS EN 60529)
Protection Class (Exm)	Exm II 2 G T5 (-20 °C to +40 °C) (IP65 BS EN 60529)
Electrical Connection (Exd)	Via terminal block (max wire diameter 1.6 mm)
Electrical Connection (Exm)	2 metre lead 3 core
Coil Insulation	Class H (BS EN 60085) 180 °C (E5 type)
Power Rating	14.5 Watts, 19 VA

## Features and Benefits

- Robust Valve Design
- Diaphragm Operation
- Fully Ported orifices for high Kv
- Choice of valve body material seals
- Response time up to 1" 15 - 60 ms
- Response time up to 2" 60 - 120 ms



Pipe Size	Cv (gpm)	Kv (m³/h)	OPD (Bar)		P. Max Bar	Orifice (mm)	Protection Class	Weight (kg) excluding Solenoid
			AC Voltages	DC Voltages				
3/8"	3.5	3.0	0-14	0-10.3	46.5	16.00	Exd T6	0.9
1/2"	4.9	4.2	0-14	0-10.3		16.00		
3/4"	5.4	4.7	0-14	0-10.3		16.00		
1"	8.2	7.0	0-14	0-10.3		20.00		
1 1/4"	26.7	23	0-4	-		40.00		
1 1/2"	26.7	23	0-4	-		40.00		
2"	30.2	26	0-4	-		40.00		
1 1/4"²	26.7	23	0.3-10	0.3-10		40.00		
1 1/2"²	26.7	23	0.3-10	0.3-10	40.00			
2"²	30.2	26	0.3-10	0.3-10	40.00			
3/8"	3.5	3.0	0-14	0-10.3	50	16.00	Exm T5	0.9
1/2"	4.9	4.2	0-14	0-10.3		16.00		
3/4"	5.4	4.7	0-14	0-10.3		16.00		
1"	8.2	7.0	0-14	0-10.3		20.00		
1 1/4"	26.7	23	0-4	-		40.00		
1 1/2"	26.7	23	0-4	-		40.00		
2"	30.2	26	0-4	-		40.00		
1 1/4"²	26.7	23	0.3-10	0.3-10		40.00		
1 1/2"²	26.7	23	0.3-10	0.3-10	40.00			
2"²	30.2	26	0.3-10	0.3-10	40.00			

## Options Available

Solenoid Enclosure		
Protection Class	Electrical Entry	Enclosure Material
Exd T6 (IP67)	M20 x 1.5 Female (Std)	Aluminium (Std) Stainless Steel optional
Exd T4 (IP67)	(1/2" NPT conduit entry option)	
Exm T5 (IP65)	M16 x 1.5 male flying lead	Powder coated metal

Main Valve Body Options	
Stainless Steel 316 (available up to and including 1")	
NPT threads	
Flanged Option (PN16 Std) for alternative options consult Rotork Midland	
Manual Override	

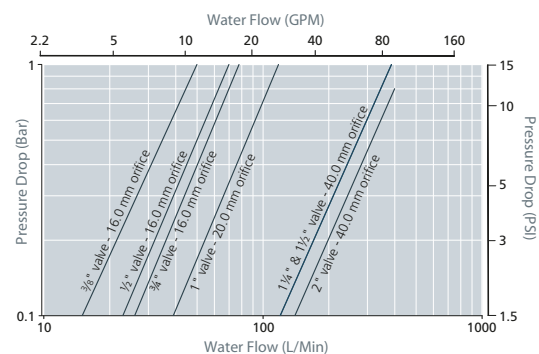
<sup>1</sup> See corrosion reference guide and sealing solutions for material

<sup>2</sup> Pressure assisted to achieve a greater OPD. e.g. code :19G11Z5C3-6H299.

## How to use the flow chart

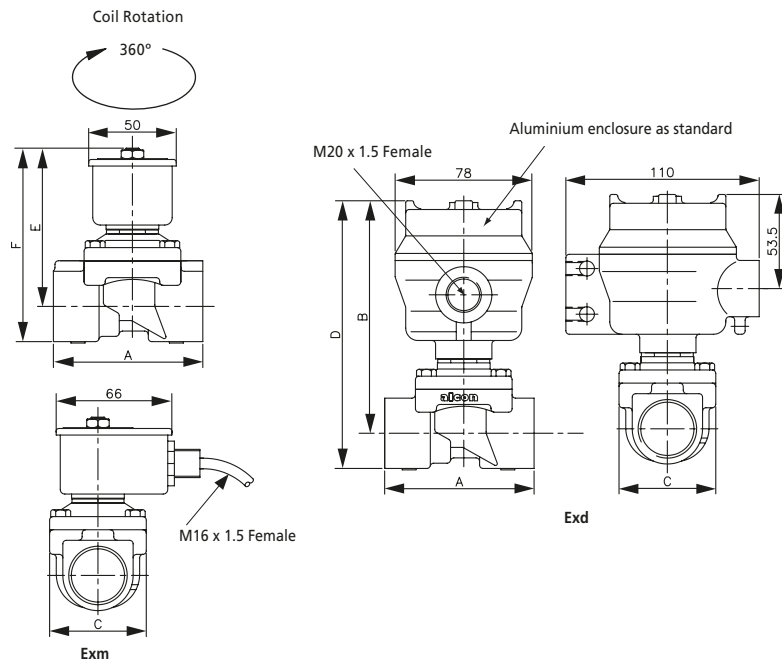
1. Select the required flow.
2. Note the corresponding pressure drop.
3. Based on where the two points intersect select the most appropriate model.

Seal Material <sup>1</sup> and Media Temp. Range	EXD			EXM	
	Ambient Temperature Range °C			Ambient Temperature Range °C	
	Min	Max (T6)	Max (T4)	Min	Max (Exm)
NBR (-10 °C to +80 °C)	-10	40	70	-10	40
EPDM (-50 °C to +120 °C)	-50	40	70	-20	40
FKM (-20 °C to +150 °C)	-20	40	70	-20	40

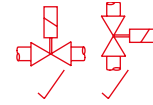


# ACD Series Exd & Exm

- 2/2 Normally Closed



Preferred Valve Mounting Options



## Dimensions Brass

Pipe Size	A	B	C	D	E	F
3/8" - 3/4"	68	125	55	141	74	90
1"	85	131	55	152	79	98

## Dimensions Stainless Steel

Pipe Size	A	B	C	D	E	F
3/8" - 3/4"	85	126	55	141	74	90
1"	85	131	55	152	79	98

## Dimensions Bronze

Pipe Size	A	B	C	D	E	F
1/4" - 2"	137	147	120	184	94	132

Dimensions given in mm

## Solenoid enclosures

### S4 Type enclosure

- Power consumption: Holding 19 VA, 12 V to 230 V 50 / 60 Hz. 14.5 W 12 V to 212 VDC
- External material: Powder coated aluminium or 316 st.st. enclosure with st.st. nameplate
- Electrical entry: M20 x 1.5 or 1/2" NPT conduit entry
- Protection Class: II 2 G Exd IIC T6 for ambient temp -50 °C to +40 °C
- Optional: II 2 G Exd IIC T4 for ambient temp -50 °C to +70 °C
- Additional Weight: 0.8 kg - Aluminium or 1.5 kg - Stainless Steel



### S4 Type enclosure

- Power consumption: Holding 16 VA, 12 V to 230 V 50 / 60 Hz. 10 W 12, 24 VDC
- External material: powder coated metal enclosure with st.st. nameplate
- Electrical entry: 2 metre length of approved 3 core cable with M16 conduit male winding insulation class
- Protection Class: II 2 G Exm II T5 for ambient temperatures -20 °C to +40 °C
- Additional weight: 0.5 kg



## Coding chart

### Main Valve Assembly

Model	Valve Body Conn. Size	Conn. Type	Operation	Body Material	Seals	Style
17	C 3/8"	1 BS21	1 AUTO	1 Brass (standard on valves up to and including 1")	A NBR	1 Standard (inc. Exm)
18	D 1/2"	2 BSP G (1 1/4" and above)	2 MANUAL OVERRIDE		B EPDM	3 Exd (S4)
19	E 3/4"	3 NPT			C FKM	
	F 1"	4 FLANGED (PN16 STD)		2 Bronze (standard on valves above 1")		
	G 1 1/4"			5 316 Stainless Steel (option available up to and inc 1")		
	H 1 1/2"					
	J 2"					

<sup>3</sup> '0' pressure rated options are not available in DC voltage above 1".

### Product coding example:

17F31Z1C3-5H259 - ACD Series  
1" NPT, auto operation, brass body, NPT Connection, FKM seals, Exd T6 Aluminium Housing 110 V / 50 Hz M20 x 1.5.

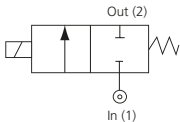
### Coil options

Enclosure	Voltage / Frequency	Electrical Connection	Approval
5 Exd Aluminium	E2 230 V / 50 Hz	5 M20 x 1.5	9 Atex T6
6 Exd Stainless Steel	H2 110 V / 50 Hz & F1 120 V / 60 Hz	9 1/2" NPT	949 Atex T4
4 Exm	M1 230 V / 50 Hz M2 110 V / 50 Hz M4 24 VDC	E 3 meter lead M16 Exm option only	

# UACD Series Ex (USA)

- 2/2 Normally Closed

ATEX

Specifications	
Mode of Operation	Normally Closed, energise to open 
Maximum Viscosity	115 SSU
3/8" - 1" Body Material (Std)	Brass (Std) or Stainless Steel option
1 1/4" - 2" Body Material (Std)	Bronze (Std)
Flange Tube	Stainless Steel
Plunger and top stop	Stainless Steel
Springs	Stainless Steel
Seal Material	Nitrile (BunaN) (Std) other options available
Connection Type	NPT
Shading Ring	Copper (std), Silver (stainless steel option)
Electrical Characteristics	
Coil Voltage DC (=)	12 V, 24 V
Coil Voltage AC 60 Hz (-)	24 V, 120 V
Voltage Tolerance	+10% or -10%
Duty Cycle	100% ED
Protection Class (Exd)	II 2 G Ex d IIC T4 Tamb (-58 °F to + 158 °F) (NEMA 6 equivalent) II 2 G Ex d IIC T6 Tamb (-58 °F to + 104 °F) (NEMA 6 equivalent) Class 1 Zone 1 Groups IIA, IIB, IIC gases
Electrical Connection (Exd)	1/2" NPT Port (Std)
Coil Insulation	Class H
Power Rating	14.5 Watts

## Features and Benefits

- Robust Valve Design
- Diaphragm Operation
- Fully Ported orifices for high Kv
- Choice of valve body material seals
- ATEX Approved
- Response time up to 1" 15-60 ms
- Response time up to 2" 60-120 ms
- Tested in accordance with BS-EN 12266-1z



Port size	Cv	Kv	OPD (psi)		P. Max psi	Orifice (mm)	Weight (lbs) excluding solenoid
			AC Voltages	DC Voltages			
3/8"	3.5	3.0	0-150	0-150	675	16.0	2
1/2"	4.9	4.2	0-150	0-150		16.0	2
3/4"	5.4	4.7	0-150	0-150		16.0	2
1"	8.2	7.0	0-150	0-150		20.0	4
1 1/4"	26.7	23	0-60	-		40.0	6.6
1 1/2"	26.7	23	0-60	-		40.0	6.6
2"	30.16	26	0-60	-		40.0	6.6
1 1/4"²	26.7	23	5-150	5-150		40.0	6.6
1 1/2"²	26.7	23	5-150	5-150		40.0	6.6
2"²	30.2	26	5-150	5-150		40.0	6.6

² Pressure assisted to achieve a greater OPD. e.g. code 19G31Z2A3-5F19G.

## Options Available

Solenoid Enclosure		
Protection Class	Electrical Entry	Enclosure Material
Exd T4 (NEMA 6 equivalent)	1/2" NPT conduit (std)	Aluminium (Std) Stainless Steel optional
Exd T6 (NEMA 6 equivalent)	M20 X1.5 conduit (option)	

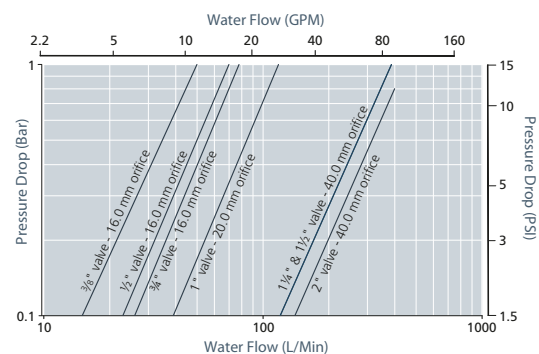
Seal Material¹ and Media Temp. Range	Ambient Temperature Range		
	Min	Max (T6)	Max (T4)
Nitrile (14 °F to +176 °F)	14 °F	104 °F	158 °F
EPDM (-58 °F to +248 °F)	-58 °F	104 °F	158 °F
Viton (-4 °F to +302 °F)	-4 °F	104 °F	158 °F

Main Valve Body Options
Stainless Steel 316 (up to and including 1")
Manual Override
Oxygen Cleaning (consult factory for product code)
Stainless Steel Tagging (consult factory for product code)

¹ See corrosion reference guide and sealing solutions for material compatibility.

## How to use the flow chart

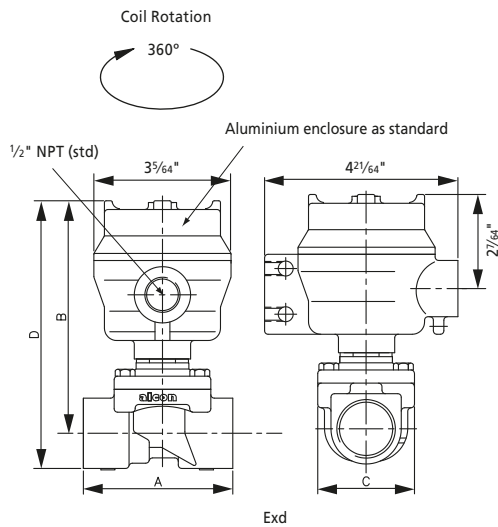
1. Select the required flow.
2. Note the corresponding pressure drop.
3. Based on where the two points intersect select the most appropriate model.



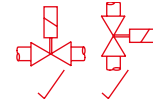
# UACD Series Ex (USA)

- 2/2 Normally Closed

ATEX



Preferred Valve Mounting Options



## Dimensions

Port size	A	B	C	D
3/8" - 3/4"	2 47/64"	4 27/32"	2 11/64"	5 33/64"
1"	3 3/8"	4 27/32"	2 11/64"	5 33/64"
1 1/4" - 2"	5 25/64"	5 25/32"	4 23/32"	7 3/32"

Dimensions given in inches

## Solenoid enclosures

### Exd S4 type enclosure

- Power consumption: Holding 19 VA, 12 V to 230 V 50 / 60 Hz. 14.5 W, 12 V to 212 VDC
- External material: Powder coated aluminium or 316 st.st. enclosure with st.st. nameplate
- Electrical entry: M20 x 1.5 or 1/2" NPT conduit entry
- Protection Class: II 2 G Exd IIC T6 for ambient temp -58 °F to +104 °F
- Optional: II 2 G Exd IIC T4 for ambient temp -58 °F to +158 °F
- Weight: 1.8 lbs Aluminium or 3.3 lbs - Stainless Steel

### CSA approval

- Alcon flame proof enclosures are suitable for the following areas / gases:
  - Zones 1 & 2
  - Class 1 Division 1
  - Class 1 Division 2
- Groups: IIA, IIB, IIC gases



## Coding chart

### Main Valve Assembly

Model	Valve Body Conn. Size		Conn. Type		Operation		Orifice (mm)	Body Material		Seals		Style	
	C	D	3	NPT	1	AUTO	Z	Default	1	A	B	3	Exd
17	AC VOLTAGE	3/8"	3	NPT	1	AUTO	Z	Default	1	A	B	3	Exd
19	Pressure assisted option 1 1/4" to 2"	E	3/4"	3	2	MANUAL OVERRIDE	Z	Default	2	A	B	3	Exd
		F	1"						C	VITON			
		G	1 1/4"										
		H	1 1/2"										
		J	2"										

### Coil options

Enclosure	Voltage / Frequency		Electrical Connection		T Rating	
	H1	H2	5	9	9	949
5	Exd Aluminium	24 V / 60 Hz	5	M20x1.5	9	Atex T6
6	Exd Stainless Steel	120 V / 60 Hz	9	1/2" NPT	G	Atex T6 (CSA)
					I	Atex T4 (CSA)

### Product coding example:

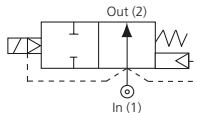
17C31Z1B3-5H299G: UACD Series Exd 3/8", NPT Auto, Brass body, EPDM seals, 120 V / 60Hz, Aluminium Exd enclosure, 1/2" NPT electrical connection, T6, CSA approval.



# ACDN Series Exd & Exm

- 2/2 Normally Open

ATEX

Specifications	
Function	Normally open, energise to close 
Maximum Viscosity	115 SSU
3/8" - 1" Body Material (Std)	Brass CZ122
1 1/4" - 2" Body Material (Std)	Bronze DIN 1705
Flange Tube	Stainless Steel 303
Plunger and top stop	Stainless Steel 430FR
Springs	Stainless Steel 302
Seal Material (Std)	NBR
Connection Type (Std)	BS21
Shading Ring	Copper (std), Silver (stainless steel option)
Electrical Characteristics	
Coil Voltage DC (=)	24 V, 110 V
Coil Voltage AC 50 Hz (-)	110 V, 230 V
Voltage Tolerance	+10% or -10%
Duty Cycle	100% ED
Protection Class (Exd)	Exd IIC T6 (-50 °C to +40 °C) (IP67 BS EN 60529)
Protection Class (Exm)	Exm II 2 G T5 (-20 °C to +40 °C) (IP65 BS EN 60529)
Electrical Connection (Exd)	Via terminal block (max wire diameter 1.6 mm)
Electrical Connection (Exm)	2 metre lead 3 core
Coil Insulation	Class H (BS EN 60085) 180 °C
Power Rating	14.5 Watts, 19 VA

## Features and Benefits

- Robust Valve Design
- Diaphragm Operation
- Fully Ported orifices for high Kv
- Choice of valve body material and seals
- Sizes 3/8" - 1" Advantica approved to BS EN 60730-2-8 for household use
- Response time up to 1" 15-60 ms
- Response time up to 2" 60-120 ms
- Viton seals are suitable for the following media: air, water, inert gases, fuel oils (No.2 or lighter)
- Nitrile, EPDM, PTFE seals are suitable for the following media: air, water, inert gases



Pipe Size	Cv (gpm)	Kv (m³/h)	OPD (Bar)		P. Max Bar	Orifice (mm)	Protection Class	Weight (kg) excluding Solenoid
			AC Voltages	DC Voltages				
3/8"	3.5	3.0	0-10	0-10	46.5	16.00	Exd T6	0.9
1/2"	4.9	4.2	0-10	0-10		16.00		
3/4"	5.4	4.7	0-10	0-10		16.00		
1"	8.2	7.0	0-10	0-10		20.00		
1 1/4"	26.7	23	0.3-10	0.3-10	50	40.00	Exm T5	1.2
1 1/2"	26.7	23	0.3-10	0.3-10		40.00		
2"	30.2	26	0.3-10	0.3-10		40.00		
3/8"	3.5	3.0	0-10	0-10		16.00		
1/2"	4.9	4.2	0-10	0-10	16.00			
3/4"	5.4	4.7	0-10	0-10	16.00			
1"	8.2	7.0	0-10	0-10	20.00	1.2		
1 1/4"	26.7	23	0.3-10	0.3-10	40.00			
1 1/2"	26.7	23	0.3-10	0.3-10	40.00			
2"	30.2	26	0.3-10	0.3-10	40.00			

## Options Available

Solenoid Enclosure		
Protection Class	Electrical Entry	Enclosure Material
Exd T6 (IP67)	M20 x 1.5 Female (Std)	Aluminium (Std) Stainless Steel optional
Exd T4 (IP67)	(1/2" NPT conduit entry option)	
Exm T5 (IP65)	M16 x 1.5 male flying lead	Powder coated metal

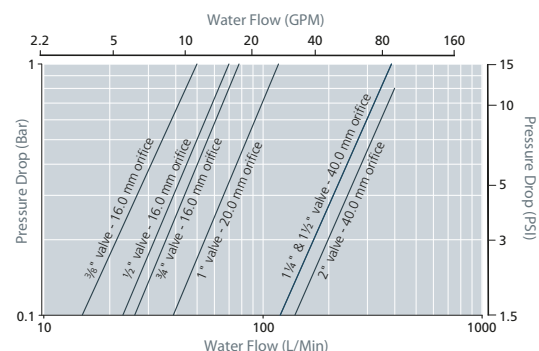
Main valve body options	
Stainless Steel 316 (available up to and including 1")	
NPT threads	
Flanged Option (PN16 Std) for alternative options consult Rotork Midland	

Seal Material <sup>1</sup> and Media Temp. Range	EXD			EXM	
	Ambient Temperature Range °C			Ambient Temperature Range °C	
	Min	Max (T6)	Max (T4)	Min	Max (Exm)
NBR (-10 °C to +80 °C)	-10	40	70	-10	40
EPDM (-50 °C to +120 °C)	-50	40	70	-20	40
FKM (-20 °C to +150 °C)	-20	40	70	-20	40

<sup>1</sup> See corrosion reference guide and sealing solutions for material compatibility.

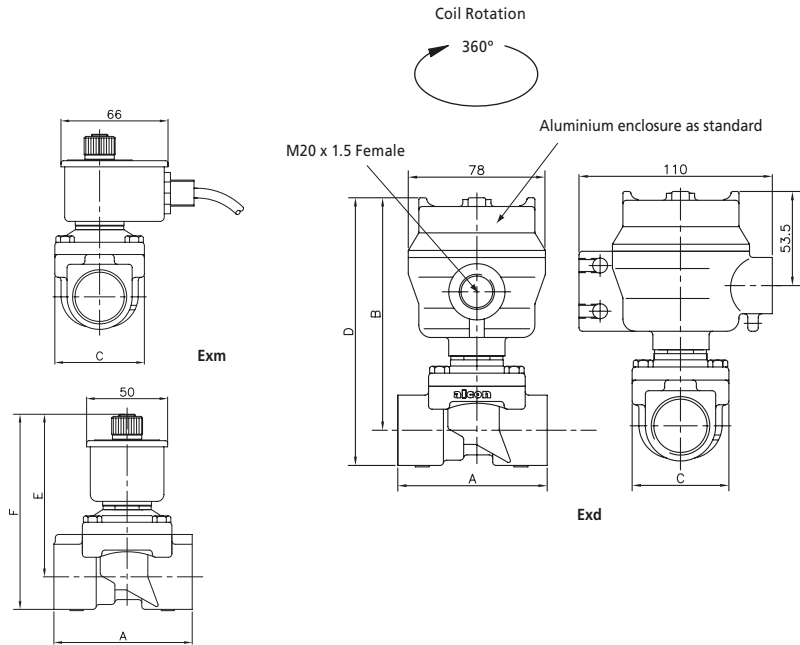
## How to use the flow chart

1. Select the required flow.
2. Note the corresponding pressure drop.
3. Based on where the two points intersect select the most appropriate model.

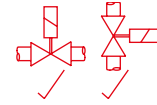


# ACDN Series Exd & Exm

- 2/2 Normally Open



Preferred Valve Mounting Options



## Dimensions

Pipe Size	A	B	C	D	E	F
3/8" - 3/4"	69.5	123	75	140	88	105
1"	69.5	123	75	140	88	105
1 1/4" - 2"	137	103	120	180	127	143

Dimensions given in mm

## Solenoid enclosures



### S4 Type enclosure

Power consumption: Holding 19 VA, 12 V to 230 V, 50 / 60 Hz.  
14.5 W, 12 V to 212 VDC

External material: Powder coated aluminium or 316 st.st. enclosure with st.st. nameplate

Electrical entry: M20 x 1.5 or 1/2" NPT conduit entry

Protection Class: II 2 G Exd IIC T6 for ambient temp -50 °C to +40 °C

Optional: II 2 G Exd IIC T4 for ambient temp -50 °C to +70 °C

Additional Weight 0.8 kg - Aluminium or 1.5 kg - Stainless Steel



### S4 Type enclosure

Power consumption: Holding 16 VA, 12 V to 230 V, 50 / 60 Hz.  
10 W 12, 24 VDC

External material: powder coated metal enclosure with st.st. nameplate

Electrical entry: 2 metre length of approved 3 core cable with M16 conduit male winding insulation class

Protection Class: II 2 G Exm II T5 for ambient temperatures -20 °C to +40 °C

Additional weight: 0.5 kg

## Coding chart

### Main Valve Assembly

Model	Valve Body Conn. Size	Connection Type	Operation	Body Material	Seals	Style
27 ACDN (1 1/4" and above)	C 3/8"	1 BS21	1 AUTO	1 Brass (standard on valves up to and including 1")	A NBR	1 Standard (inc. Exm)
56 ACDN (3/8"-1")	D 1/2"	2 BSP G (1 1/4" and above)			2 Bronze (standard on valves above 1")	B EPDM
	E 3/4"	3 NPT		C FKM		5 316 Stainless Steel (option available up to and inc 1")
	F 1"					
	G 1 1/4"					
	H 1 1/2"					
J 2"						

### Coil options

Enclosure	Voltage / Frequency	Electrical Connection	Approval
D N/O Exd Aluminium	E2 230 V / 50 Hz	5 M20 x 1.5	9 Atex T6
E N/O Exd Stainless Steel	H2 110 V / 50 Hz & 120 V / 60 Hz	9 1/2" NPT	949 Atex T4
	F1 24 VDC		

•	••	•	•
4	••	E	48

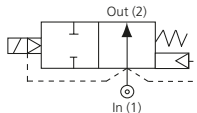
Enclosure	Voltage / Frequency	Electrical Connection	Solenoid Label
4 Exm	M1 230 V / 50 Hz	E 3 metre lead M16 EXM	48 N/O module
	M2 110 V / 50 Hz		
	M4 24 VDC		

### Product coding example:

56E11Z1A3-DF159 - ACDN Series  
N/O 3/4" BS21, auto operation, bronze body, NBR seals, Exd T6 Aluminium 24 VDC M20 x 1.5.

# ACDN Series Ex (USA)

## - 2/2 Normally Open

Specifications	
Mode of Operation	Normally open, energise to close 
Maximum Viscosity	115 SSU
3/8" - 1" Body Material (Std)	Brass (Std) or Stainless Steel option
1 1/4" - 2" Body Material (Std)	Bronze (Std)
Flange Tube	Stainless Steel
Plunger and top stop	Stainless Steel
Springs	Stainless Steel
Seal Material	Nitrile (BunaN) (Std) other options available
Connection Type	NPT
Shading Ring	Copper (std), Silver (stainless steel option)
Electrical Characteristics	
Coil Voltage DC (-)	12 V, 24 V
Coil Voltage AC 60 Hz (-)	24 V, 120 V
Voltage Tolerance	+10% or -10%
Duty Cycle	100% ED
Protection Class (Exd)	II 2 G Ex d IIC T4 Tamb (-58 °F to + 158 °F) (NEMA 6 equivalent) II 2 G Ex d IIC T6 Tamb (-58 °F to + 104 °F) (NEMA 6 equivalent) Class 1 Zone 1 Groups IIA, IIB, IIC gases
Electrical Connection (Exd)	1/2" NPT Port (Std)
Coil Insulation	Class H
Power Rating	14.5 Watts

### Features and Benefits

- Robust Valve Design
- Diaphragm Operation
- Fully Ported Orifices for high Kv
- Choice of valve body materials and seals
- Sizes 3/8" - 1" Advantica approved to BS EN 60730-2-8 for household use.
- Response time up to 1" 15-60 ms
- Response time up to 2" 60-120 ms
- Tested in accordance with BS-EN 12266-1
- Viton seals are suitable for the following media: air, water, inert gases, fuel oils (No.2 or lighter)
- Nitrile, EPDM, PTFE seals are suitable for the following media: air, water, inert gases



Port Size	Cv	Kv	OPD (psi)		P. Max psi	Orifice (mm)	Weight (lbs) excluding solenoid
			AC Voltages	DC Voltages			
3/8"	3.5	3.0	0-150	0-150	675	16.0	2
1/2"	4.9	4.2	0-150	0-150		16.0	2
3/4"	5.4	4.7	0-150	0-150		16.0	2
1"	8.2	7.0	0-150	0-150		20.0	4
1 1/4"	26.7	23	5-150	5-150		40.0	6.6
1 1/2"	26.7	23	5-150	5-150		40.0	6.6
2"	30.2	26	5-150	5-150		40.0	6.6

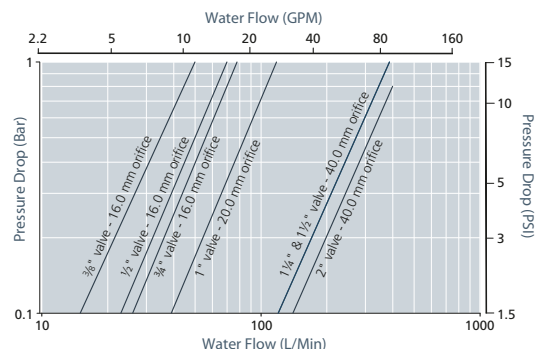
### Options Available

Solenoid Enclosure			Seal Material <sup>1</sup> and Media Temp. Range	Ambient Temperature Range			Main Valve Body Options	
Protection Class	Electrical Entry	Enclosure Material		Min	Max (T6)	Max (T4)		
Exd T4 (NEMA 6 equivalent)	1/2" NPT conduit (std)	Aluminium (Std) Stainless Steel optional	Nitrile (14 °F to +176 °F)	14 °F	104 °F	158 °F	Stainless Steel 316 (up to and including 1")	
Exd T6 (NEMA 6 equivalent)	M20 X1.5 conduit (option)		EPDM (-58 °F to +248 °F)	-58 °F	104 °F	158 °F	Oxygen Cleaning (consult factory for product code)	
			Viton (-4 °F to +302 °F)	-4 °F	104 °F	158 °F	Stainless Steel Tagging (consult factory for product code)	

<sup>1</sup> See corrosion reference guide and sealing solutions for material compatibility.

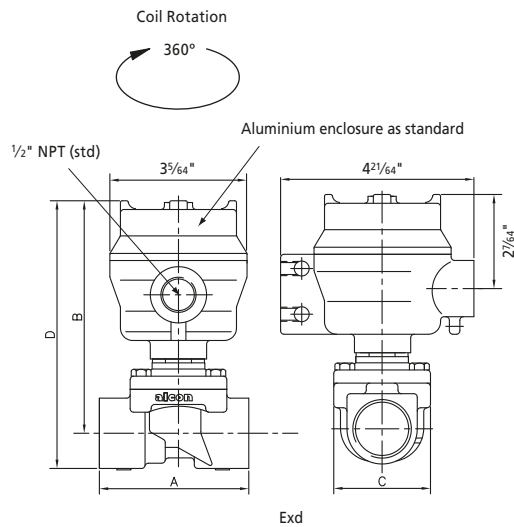
### How to use the flow chart

1. Select the required flow.
2. Note the corresponding pressure drop.
3. Based on where the two points intersect select the most appropriate model.

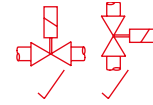


# ACDN Series Ex (USA)

- 2/2 Normally Open



Preferred Valve Mounting Options



## Dimensions

Port size	A	B	C	D
3/8" - 3/4"	2 <sup>47</sup> / <sub>64</sub> "	4 <sup>27</sup> / <sub>32</sub> "	2 <sup>61</sup> / <sub>64</sub> "	5 <sup>33</sup> / <sub>64</sub> "
1"	2 <sup>47</sup> / <sub>64</sub> "	4 <sup>27</sup> / <sub>32</sub> "	2 <sup>61</sup> / <sub>64</sub> "	5 <sup>33</sup> / <sub>64</sub> "
1 1/4" - 2"	5 <sup>25</sup> / <sub>64</sub> "	4 <sup>1</sup> / <sub>16</sub> "	4 <sup>23</sup> / <sub>32</sub> "	7 <sup>3</sup> / <sub>32</sub> "

Dimensions given in inches

## Solenoid enclosures



### Exd S4 type enclosure

- Power consumption: Holding 19 VA, 12 V to 230 V 50 / 60 Hz.  
14.5 W, 12 V to 212 VDC
- External material: Powder coated aluminium or 316 st.st. enclosure with st.st. nameplate
- Electrical entry: M20 x 1.5 or 1/2" NPT conduit entry
- Protection Class: II 2 G Exd IIC T6 for ambient temp -58 °F to +104 °F
- Optional: II 2 G Exd IIC T4 for ambient temp -58 °F to +158 °F
- Weight: 1.8 lbs Aluminium or 3.3 lbs - Stainless Steel

### CSA approval

- Alcon flame proof enclosures are suitable for the following areas / gases:  
Zones 1 & 2  
Class 1 Division 1  
Class 1 Division 2
- Groups: IIA, IIB, IIC gases

## Coding chart

### Main Valve Assembly

Model	Valve Body Conn. Size	Conn. Type	Operation	Orifice (mm)	Body Material	Seals	Style
27	ACDN (1 1/4 and above)	C 3/8" D 1/2"	3 NPT	1 AUTO	Z Default	A Nitrile B EPDM C VITON	3 Exd
56	ACDN (3/8"-1")	E 3/4" F 1" G 1 1/4" H 1 1/2" J 2"			1 Bronze (standard on valves up to and including 1") 2 Bronze (standard on valves above 1") 5 316 Stainless Steel (option available up to and inc. 1")		

### Coil options

Enclosure	Voltage / Frequency	Electrical Connection	T Rating
D N/O Exd Aluminium	F1 24 VDC F4 12 VDC	5 M20 x 1.5	9 Atex T6
E N/O Exd Stainless Steel	H1 24 V / 60 Hz H2 120 V / 60 Hz	9 1/2" NPT	949 Atex T4 G Atex T6 (CSA) I Atex T4 (CSA)

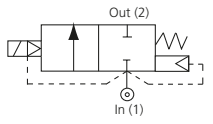
### Product coding example:

56C3121A3-DH298: ACDNEXD  
3/8" NPT, auto, brass body, nitrile seals, aluminium housing, 120 V / 60 Hz, 1/2" NPT electrical connection ExdT6.

# ACP Series Exd & Exm

- 2/2 Normally Closed

ATEX

Specifications	
Function	Normally closed, energise to open 
Maximum Viscosity	115 SSU
½" - 1" Body Material (Std)	Brass CZ122
1¼" - 2" Body Material (Std)	Bronze DIN 1705
Flange Tube	Stainless Steel 303
Plunger and top stop	Stainless Steel 430FR
Springs	Stainless Steel 302
Seal Material (Std)	NBR
Connection Type (Std)	BS21
Shading Ring	Copper (std), Silver (stainless steel option)
Electrical Characteristics	
Coil Voltage DC (=)	24 V, 110 V
Coil Voltage AC 50 Hz (-)	110 V, 230 V
Voltage Tolerance	+10% or -10%
Duty Cycle	100% ED
Protection Class (Exd)	Exd IIC T6 (-50 °C to +40 °C) (IP67 BS EN 60529)
Protection Class (Exm)	Exm II 2 G T5 (-20 °C to +40 °C) (IP65 BS EN 60529)
Electrical Connection (Exd)	Via terminal block (max wire diameter 1.6 mm)
Electrical Connection (Exm)	2 metre lead 3 core
Coil Insulation	Class H (BS EN 60085) 180 °C (E5 Type)
Power Rating	14.5 Watts, 19 VA

## Features and Benefits

- Heavy duty valve design
- Piston Operation
- Wide temperature range capabilities
- Choice of valve body material seals
- ATEX approved
- Response time up to 1" 40-100 ms
- Response time up to 2" 60-1000 ms



Pipe Size	Cv (gpm)	Kv (m³/h)	OPD (Bar)	P. Max Bar	Orifice (mm)	Protection Class	Weight (kg) excluding Solenoid
½"	4.9	4.2	0.3-10.3	46.5	16.00	Exd T6	1.4
¾"	6.3	5.4	0.3-10.3		16.00		2.3
1"	14.5	12.5	0.3-10.3		25.00		3.0
1¼"	20.9	18	0.3-10.3		30.00		5.2
1½"	20.9	18	0.3-10.3		30.00		
2"	24.4	21	0.3-10.3		32.00		
½"	4.9	4.2	0.3-10.3	50	16.00	Exm T5	1.4
¾"	6.3	5.4	0.3-10.3		16.00		2.3
1"	14.5	12.5	0.3-10.3		25.00		3.0
1¼"	20.9	18	0.3-10.3		30.00		5.2
1½"	20.9	18	0.3-10.3		30.00		
2"	24.4	21	0.3-10.3		32.00		

## Options Available

Solenoid Enclosure		
Protection Class	Electrical Entry	Enclosure Material
Exd T6 (IP67)	M20 x 1.5 Female (Std)	Aluminium (Std) Stainless Steel optional
Exd T4 (IP67)	(½" NPT conduit entry option)	
Exm T5 (IP65)	M16 x 1.5 male flying lead	Powder coated metal

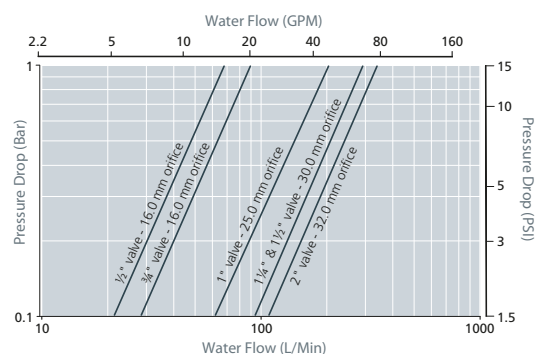
Main Valve Body Options	
Stainless steel body 316 (available up to 1")	
Oxygen Cleaning (Consult Rotork Midland for product code)	
NPT Threads	
Stainless steel tagging	

<sup>1</sup> See corrosion reference guide and sealing solutions for material compatibility.

## How to use the flow chart

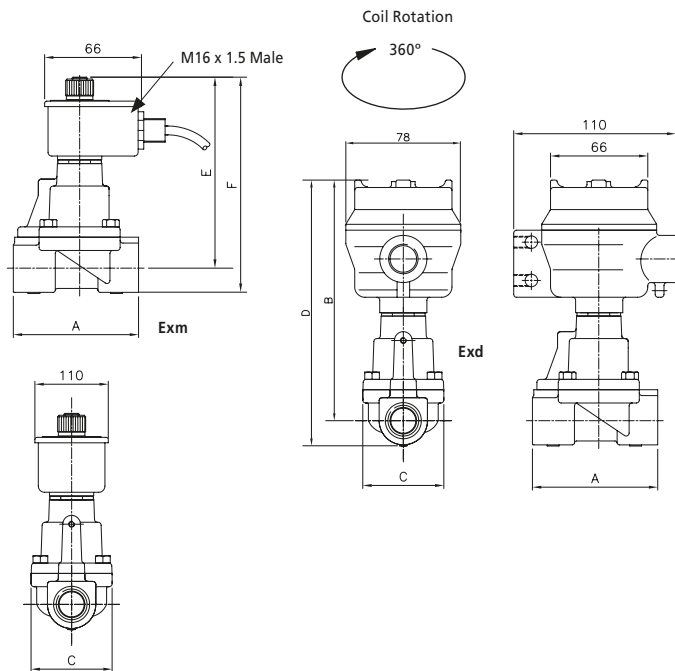
1. Select the required flow.
2. Note the corresponding pressure drop.
3. Based on where the two points intersect select the most appropriate model.

Seal Material <sup>1</sup> and Media Temp. Range	EXD			EXM	
	Ambient Temperature Range °C			Ambient Temperature Range °C	
	Min	Max (T6)	Max (T4)	Min	Max (Exm)
NBR (-10 °C to +80 °C)	-10	40	70	-10	40
EPDM (-50 °C to +120 °C)	-50	40	70	-20	40
FKM (-20 °C to +150 °C)	-20	40	70	-20	40

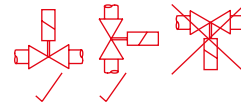


# ACP Series Exd & Exm

- 2/2 Normally Closed



Preferred Valve Mounting Options



## Dimensions

Pipe Size	A	B	C	D	E	F
3/8" - 3/4"	85	149	75	165	105	122
1"	85	179	75	198	135	155
1 1/4" - 1 1/2"	117	177	83	252	133	209
2"	146	189	103	252	145	209

Dimensions given in mm

## Solenoid enclosures

### S4 Exd enclosure

- Power consumption: Holding 19 VA, 12 V to 230 V, 50 / 60 Hz. 14.5 W, 12 V to 212 VDC
- External material: Powder coated aluminium or 316 st.st. enclosure with st.st. nameplate
- Electrical entry: M20 x 1.5 or 1/2" NPT conduit entry
- Protection Class: II 2 G Exd IIC T6 for ambient temp -50 °C to +40 °C
- Optional: II 2 G Exd IIC T4 for ambient temp -50 °C to +70 °C
- Additional Weight: 0.8 kg - Aluminium or 1.5 kg - Stainless Steel



### S4 Exm enclosure

- Power consumption: Holding 16 VA, 12 V to 230 V, 50 / 60 Hz. 10 W 12, 24 VDC
- External material: Powder coated metal enclosure with st.st. nameplate
- Electrical entry: 2 metre length of approved 3 core cable with M16 conduit male winding insulation class
- Protection Class: II 2 G Exm II T5 for ambient temperatures -20 °C to +40 °C
- Additional weight: 0.5 kg



## Coding chart

### Main Valve Assembly

Model	Valve Body Conn. Size	Connection Type	Operation	Body Material	Seals	Style
22	ACP Exd	D 1/2"	1 AUTO	1 Brass (standard on valves up to and including 1")	A NBR	1 Standard (Inc Exm)
	E 3/4"	2 BSP G	2 MANUAL OVERRIDE		B EPDM	3 Exd
	F 1"	3 NPT				C FKM
	G 1 1/4"	4 FLANGED (PN16 STD)		2 Bronze (standard on valves above 1")		
	H 1 1/2"			5 316 Stainless Steel (option available up to and inc 1")		
	J 2"					

### Coil options

Enclosure	Voltage / Frequency	Electrical Connection	Approval
5 Exd Aluminium	E2 230 V / 50 Hz	5 M20 x 1.5	9 Atex T6
6 Exd Stainless Steel	H2 110 V / 50 Hz & 120 V / 60 Hz	9 1/2" NPT	949 Atex T4
	F1 24 VDC		

• • • 9

Enclosure	Voltage / Frequency	Electrical Connection
4 Exm	M1 230 V / 50 Hz	E 3 metre lead M16 EXM
	M2 110 V / 50 Hz	
	M4 24 VDC	

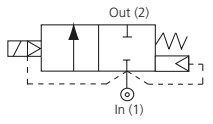
### Product coding example:

22H21Z2A3-5E259 - ACP Series  
1 1/2" BSPG, auto operation, bronze body, NBR seals, Exd Aluminium 230 V / 50 Hz M20 x 1.5, ATEX A6 approval.

# UACP Series Ex (USA)

- 2/2 Normally Closed

ATEX

Specifications	
Mode of Operation	Normally closed, energise to open 
Maximum Viscosity	115 SSU
3/8" - 1" Body Material (Std)	Brass (Std) or Stainless Steel option
1 1/4" - 2" Body Material (Std)	Bronze (Std)
Flange Tube	Stainless Steel
Plunger and top stop	Stainless Steel
Springs	Stainless Steel
Seal Material	Nitrile (BunaN) (Std) other options available
Connection Type	NPT
Shading Ring	Copper (std), Silver (stainless steel option)
Electrical Characteristics	
Coil Voltage DC (=)	12 V, 24 V
Coil Voltage AC 60 Hz (-)	24 V, 120 V
Voltage Tolerance	+10% or -10%
Duty Cycle	100% ED
Protection Class (Exd)	II 2 G Ex d IIC T4 Tamb (-58 °F to + 158 °F) (NEMA 6 equivalent) II 2 G Ex d IIC T6 Tamb (-58 °F to + 104°F) (NEMA 6 equivalent) Class 1 Zone 1 Groups IIA, IIB, IIC gases
Electrical Connection (Exd)	1/2" NPT Port (Std)
Coil Insulation	Class H
Power Rating	14.5 Watts

## Features and Benefits

- Heavy duty valve design
- Piston Operation
- Wide temperature range capabilities
- Choice of valve body material seals
- ATEX approved
- Response time up to 1" 40-100 ms
- Response time up to 2" 60-1000 ms
- Tested in accordance with BS-EN 12266-1



Port Size	Cv	Kv	OPD (psi)		P. Max psi	Orifice (mm)	Weight (lbs) excluding Solenoid	Protection Class
			AC Voltages	DC Voltages				
1/2"	4.9	4.2	5-150	5-150	675	16.0	2.8	Exd T6
3/8"	6.3	5.4	5-125	5-125		16.0	2.8	Exd T6
1"	14.5	12.5	5-125	5-125		25.0	5.0	Exd T6
1 1/4"	20.9	18	5-125	5-125		30.0	6.8	Exd T6
1 1/2"	20.9	18	5-125	5-125		30.0	6.8	Exd T6
2"	24.4	21	5-125	5-125		32.0	11.5	Exd T6

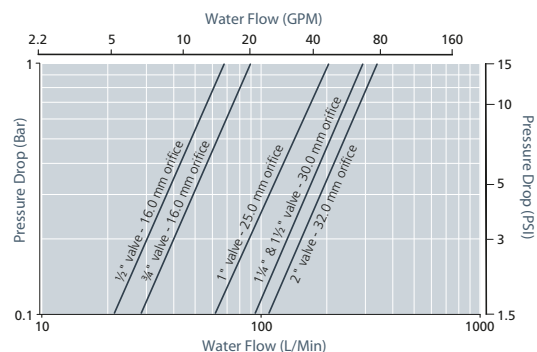
## Options Available

Solenoid Enclosure			Seal Material <sup>1</sup> and Media Temp. Range		Ambient Temperature Range			Main Valve Body Options	
Protection Class	Electrical Entry	Enclosure Material	Min	Max (T6)	Max (T4)	Min	Max (T6)	Max (T4)	
Exd T4 (NEMA 6 equivalent)	1/2" NPT conduit (std)	Aluminium (Std) Stainless Steel optional	Nitrile (14 °F to +176 °F)	14 °F	104 °F	158 °F			Stainless Steel 316 (up to and including 1")
Exd T6 (NEMA 6 equivalent)	M20 X1.5 conduit (option)		EPDM (-58 °F to +248 °F)	-58 °F	104 °F	158 °F			Oxygen Cleaning (consult factory for product code)
			Viton (-4 °F to +302 °F)	-4 °F	104 °F	158 °F			Stainless Steel Tagging (consult factory for product code)

<sup>1</sup> See corrosion reference guide and sealing solutions for material compatibility.

## How to use the flow chart

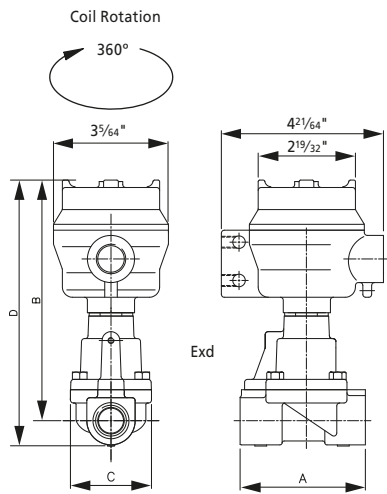
1. Select the required flow.
2. Note the corresponding pressure drop.
3. Based on where the two points intersect select the most appropriate model.



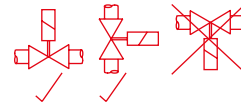
# UACP Series Ex (USA)

- 2/2 Normally Closed

ATEX



Preferred Valve Mounting Options



## Dimensions

Port size	A	B	C	D
3/4"	3 11/32"	5 59/64"	2 61/64"	6 1/2"
1"	3 11/32"	7 3/64"	2 61/64"	7 51/64"
1 1/4" - 1 1/2"	4 39/64"	6 31/32"	3 11/64"	9 59/64"
2"	5 3/4"	7 1/16"	4 1/16"	9 59/64"

Dimensions given in inches

## Solenoid enclosures

### Exd S4 type enclosure

- Power consumption: Holding 19 VA, 12 V to 230 V 50 / 60 Hz.  
14.5 W, 12 V to 212 VDC
- External material: Powder coated aluminium or 316 st.st. enclosure with st.st. nameplate
- Electrical entry: M20 x 1.5 or 1/2" NPT conduit entry
- Protection Class: II 2 G Exd IIC T6 for ambient temp -58 °F to +104 °F
- Optional: II 2 G Exd IIC T4 for ambient temp -58 °F to +158 °F
- Weight: 1.8 lbs Aluminium or 3.3 lbs - Stainless Steel

### CSA approval

- Alcon flame proof enclosures are suitable for the following areas / gases:  
Zones 1 & 2  
Class 1 Division 1  
Class 1 Division 2
- Groups: IIA, IIB, IIC gases



## Coding chart

### Main Valve Assembly

Model	Valve Body Conn. Size	Connection Type	Operation	Orifice (mm)	Body Material	Seals	Style	Enclosure	Voltage / Frequency	Electrical Connection	T Rating	
22	UACP	C 3/8" D 1/2" E 3/4" G 1 1/4" H 1 1/2" J 2"	3 NPT	1 AUTO	Z Default	1 Brass (standard on valves up to and including 1") 2 Bronze (standard on valves above 1") 5 316 Stainless Steel (option available up to and inc 1")	A Nitrile B EPDM C VITON	3 Exd	5 Exd Aluminium 6 Exd Stainless Steel	H1 24 V / 60 Hz H2 120 V / 60 Hz	5 M20x1.5 9 1/2" NPT	9 Atex T6 949 Atex T4 G Atex T6 (CSA) I Atex T4 (CSA)
22	•	3	1	Z	•	•	3	-	•	••	•	•

### Coil options

### Product coding example:

22D31Z1A3-5H29G: UACP EXD Series  
1/2" NPT, Auto, Brass body, nitrile seals, 120 V / 60 Hz, 1/2" NPT electrical connection, T6, CSA approval.



# 31/33 Series Exd

- 3/2 Normally Closed / Universal

ATEX

Specifications	
Function	<p>31 Series, 3/2 Normally Closed</p> <p>33 Series, 3/2 Universal</p>
Maximum Viscosity	115 SSU
Body Material (Std)	Brass CZ122
Flange Tube	Stainless Steel 303
Plunger and top stop	Stainless Steel 430FR
Springs	Stainless Steel 302
Seal Material (Std)	NBR
Connection Type (Std)	BS21
Shading Ring	Copper (std), Silver (stainless steel option)
Electrical Characteristics	
Coil Voltage DC (=)	24 V, 110 V
Coil Voltage AC 50 Hz (-)	24 V, 110 V, 230 V
Voltage Tolerance	+10% or -10%
Duty Cycle	100% ED
Protection Class (Exd)	Exd IIC T6 (-50 °C to +40 °C) (IP67 BS EN 60529)
Electrical Connection (Exd)	Via terminal block (max wire diameter 1.6 mm)
Coil Insulation	Class H (BS EN 60085) 180 °C (E5 type)
Power Rating	19 VA, 14.5 Watts

## Features and Benefits

- Compact valve design
- Zero pressure rated
- Wide range of available orifices
- Choice of valve body material and seals
- ATEX approved
- Response time 5-25 ms

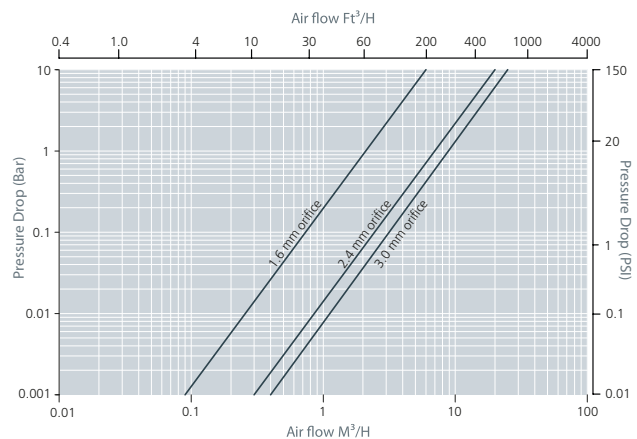


Pipe Size	Cv (gpm)	Kv (m³/h)	OPD (Bar)		P. Max Bar	Orifice (mm)	Protection Class	Function	Weight (kg) excluding Solenoid	
			AC Voltages	DC Voltages						
¼"	0.12	0.10	0-10.6	0-10.6	46.5	1.6	Exd T6	N/C	0.35	
¼"	0.24	0.21	0-7.0	0-7.0		2.4				
¼"	0.35	0.30	0-5.8	0-5.8		3.0				
¼"	0.12	0.10	0-7.5	0-7.5		1.6				
¼"	0.24	0.21	0-3.5	0-3.5		2.4				
¼"	0.35	0.30	0-2.0	0-2.0		3.0				
										Universal
										Universal

## Options Available

Solenoid Enclosure			Seal Material <sup>1</sup> and Media Temp. Range	EXD			Main valve body options	
Protection Class	Electrical Entry (Std)	Enclosure Material		Ambient Temperature Range °C			Stainless Steel 316	NPT threads
				Min	Max (T6)	Max (T4)		
Exd T6 (IP67)	M20 x 1.5 Female (Std)	Aluminium (Std)	NBR (-10 °C to +80 °C)	-10	40	70	Manual override	Stainless steel tagging (consult factory for product code)
Exd T4 (IP67)	(½" NPT conduit entry option)	Stainless Steel optional	EPDM (-50° to +120 °C)	-50	40	70		
			FKM (-20 °C to +150 °C)	-20	40	70		

1 See corrosion reference guide and sealing solutions for material compatibility.

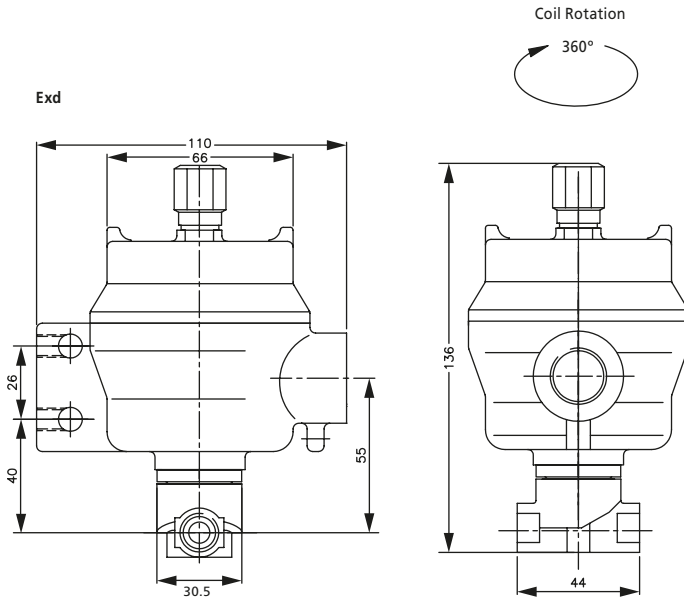


## How to use the flow chart

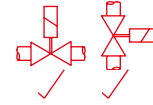
1. Select the required flow.
2. Note the corresponding pressure drop.
3. Based on where the two points intersect select the most appropriate model.

# 31/33 Series Exd

- 3/2 Closed / Universal



Preferred Valve Mounting Options



Dimensions given in mm

## Solenoid enclosures



### Exd enclosure

- Power consumption: Holding 19 VA, 12 V to 230 V 50 / 60 Hz. 14.5 W, 12 V to 212 VDC
- External material: Powder coated aluminium or 316 st.st. enclosure with st.st. nameplate
- Electrical entry: M20 x 1.5 or 1/2" NPT conduit entry
- Protection Class: II 2 G Exd IIC T6 for ambient temp -50 °C to +40 °C
- Optional: II 2 G Exd IIC T4 for ambient temp -50 °C to +70 °C
- Additional Weight: 0.8 kg - Aluminium or 1.5 kg - Stainless Steel

## Coding chart

### Main Valve Assembly

Model		Size		Connection Type		Operation		Orifice (mm)		Body Material		Seals		Style	
29	31 Series (N/C)	B	1/4"	1	BS21	1	AUTO	C	1.6	1	Brass CZ122	A	NBR	3	Exd
32	33 Series (UNIV)			3	NPT	2	MANUAL OVERRIDE	E	2.4	5	316 Stainless Steel	B	EPDM		
								F	3.0			C	FKM		

### Coil options

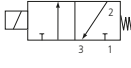
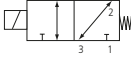
Enclosure		Voltage / Frequency		Electrical connection		Approval	
9	3 way Exd Aluminium	E2	230 V / 50 Hz	5	M20 x 1.5	9	Atex T6
A	3 way Exd Stainless Steel	H2	110 V / 50 Hz & 120 V / 60 Hz	9	1/2" NPT	949	Atex T4
		F1	24 V / DC				

### Product coding example:

29B11C1A3-9E259 - 31 Series  
1/4" BS21, auto operation, 1.6 mm orifice brass body, NBR seals, Exd T6 Aluminium 230 V / 50 Hz M20 x 1.5, ATEX A6 approval.

# U31/U33 Series Ex (USA)

- 3/2 Normally Closed / Universal

Specifications	
Mode of Operation	31 series 3/2 Normally Closed 
	33 series 3/2 Universal 
Maximum Viscosity	115 SSU
Body Material	Brass or Stainless Steel option
Flange Tube	Stainless Steel
Plunger and top stop	Stainless Steel
Springs	Stainless Steel
Seal Material	Nitrile (BunaN) (Std) other options available
Connection Type	NPT
Shading Ring	Copper (std), Silver (stainless steel option)
Electrical Characteristics	
Coil Voltage DC (=)	12 V, 24 V
Coil Voltage AC 50 Hz (-)	24 V, 120 V
Voltage Tolerance	+10% or -10%
Duty Cycle	100% ED
Protection Class (Exd)	II 2 G Ex d IIC T4 Tamb (-58 °F to + 158 °F) (NEMA 6 equivalent)
	II 2 G Ex d IIC T6 Tamb (-58 °F to + 104 °F) (NEMA 6 equivalent) Class 1 Zone 1 Groups IIA, IIB, IIC gases
Electrical Connection (Exd)	½" NPT Port (Std)
Coil Insulation	Class H
Power Rating	14.5 Watts

## Features and Benefits

- Direct Acting
- Zero pressure rated
- Compact Valve Design
- Ideal for mixing, diverting and venting applications
- Choice of valve body material and seals
- Wide range of available orifices
- Response time 5-25 ms
- Tested in accordance with BS-EN 12266-1



Port Size	Cv	Kv	OPD (psi)		P. Max psi	Orifice (mm)	Weight (lbs) excluding solenoid	Desc.
			AC Voltages	DC Voltages				
¼"	0.12	0.10	0-155	0-155	675	1.6	1.0	N/C
¼"	0.24	0.21	0-100	0-100		2.4		N/C
¼"	0.35	0.30	0-85	0-85		3.0		N/C
¼"	0.12	0.10	0-107	0-107		1.6		Universal
¼"	0.24	0.21	0-42	0-42		2.4		Universal
¼"	0.35	0.30	0-30	0-30		3.0		Universal

## Options Available

Solenoid Enclosure		
Protection Class	Electrical Entry	Enclosure Material
Exd T4 (NEMA 6 equivalent)	½" NPT conduit (std) M20 X1.5 conduit (option)	Aluminium (Std) Stainless Steel optional
Exd T6 (NEMA 6 equivalent)		

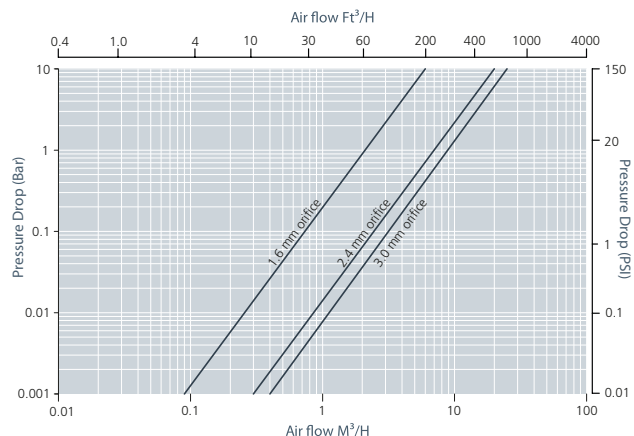
Seal Material <sup>1</sup> and Media Temp. Range	Ambient Temperature Range		
	Min	Max (T6)	Max (T4)
Nitrile (14 °F to +176 °F)	14 °F	104 °F	158 °F
EPDM (-58 °F to +248 °F)	-58 °F	104 °F	158 °F
Viton (-4 °F to +302 °F)	-4 °F	104 °F	158 °F

Main valve body options
Stainless Steel 316
Manual Override
Stainless Steel Tagging (consult factory for product code)

<sup>1</sup> See corrosion reference guide and sealing solutions for material compatibility.

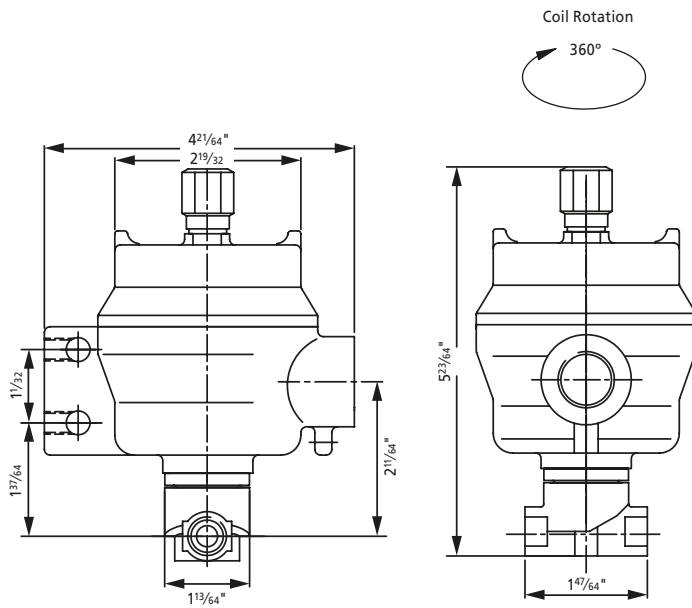
## How to use the flow chart

1. Select the required flow.
2. Note the corresponding pressure drop.
3. Based on where the two points intersect select the most appropriate model.



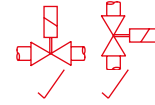
# U31/U33 Series Ex (USA)

- 3/2 Normally Closed / Universal



Dimensions given in inches

Preferred Valve Mounting Options



## Solenoid enclosures

### Exd S4 type enclosure

- Power consumption: Holding 19 VA, 12 V to 230 V 50 / 60 Hz.  
14.5 W, 12 V to 212 VDC
- External material: Powder coated aluminium or 316 st.st. enclosure with st.st. nameplate
- Electrical entry: M20 x 1.5 or 1/2" NPT conduit entry
- Protection Class: II 2 G Exd IIC T6 for ambient temp -58 °F to +104 °F
- Optional: II 2 G Exd IIC T4 for ambient temp -58 °F to +158 °F
- Weight: 1.8 lbs Aluminium or 3.3 lbs - Stainless Steel

### CSA approval

- Alcon flame proof enclosures are suitable for the following areas / gases:  
Zones 1 & 2  
Class 1 Division 1  
Class 1 Division 2
- Groups: IIA, IIB, IIC gases



## Coding chart

### Main Valve Assembly

Model		Size		Connection Type		Operation		Orifice (mm)		Body Material		Seals		Style	
29	31 Series	B	1/4"	3	NPT	1	AUTO	C	1.6	1	Brass	A	Nitrile	3	Exd
32	33 Series					2	MANUAL OVERRIDE	E	2.4	5	316 Stainless Steel	B	EPDM		
								F	3.0			C	VITON		

### Coil options

Enclosure	Voltage / Frequency		Electrical connection	T Rating
9	3 way Exd Aluminium	F1 24 VDC	5 M20x1.5	9 Atex T6
A	3 way Exd Stainless Steel	F4 12 VDC	9 1/2" NPT	949 Atex T4
		H1 24 V / 60 Hz		G Atex T6 (CSA)
		H2 120 V / 60 Hz		I Atex T4 (CSA)

### Product coding example:

29B31E1A3-9H29G: 31 Series  
1/4" NPT, Auto, 2.4 mm orifice, brass body, nitrile seals, Exd Aluminium housing, 120 V / 60Hz, 1/2" NPT electrical connection, T6 CSA approved.

# NAMUR Series Exd, Exm & Exia

- 3/2 or 5/2 Universal

ATEX

Specifications	
Function	<p>3/2 or 5/2 3/2 Orientation 5/2 Orientation</p>
Media	Air
Maximum Viscosity	115 SSU
Body Material (Std)	Anodised Aluminium
Flange Tube	Brass
Plunger and Top Stop	Stainless Steel 430FR
Springs	Stainless Steel 302
Seal Material (Std)	NBR
Electrical Characteristics	
Coil Voltage DC (-)	12 V, 24 V, 110 V
Coil Voltage AC 50 Hz (-)	24 V, 110 V, 120 V, 230 V
Coil Voltage AC 60 Hz (-)	24 V, 110 V, 120 V, 220v
Voltage Tolerance	+10% or -10%
Duty Cycle	100% ED
Protection Class (Exd)	Exd IIC T6 (-50 °C to +40 °C) (IP67 BS EN 60529)
Protection Class (Exm)	Exm II 2 G T5 (-20 °C to +40 °C) (IP65 BS EN 60529)
Protection Class (Exia)	Exia IIC T6 (-40 °C to +50 °C)
Electrical Connection (Exd)	Via terminal block (max wire diameter 1.6 mm)
Electrical Connection (Exm)	2 metre lead 3 core
Electrical Connection (Exia)	PG9 via DIN plug connector DIN 43650-A
Coil Insulation (Exd & Exm)	Class H (BS EN 60085) 180 °C
Coil Insulation (Exia)	Class F (BS EN 60085) 155 °C
Power Rating	5 watts

## Features and Benefits

- Ideal for in-line system service and repair
- Choice of valve body material seals
- Manual Override
- Low power LED Light
- Dual Coil option
- Exd, Exia and Exm compatible
- Max cycle frequency 5/sec



Pipe Size	Cv (gpm)	Kv (m³/h)	OPD (Bar)		P. Max Bar	Weight (kg) excluding Solenoid
			AC Voltages	DC Voltages		
¼"	1.4	1.2	2.5-10	2.5-10	10	0.5

## Options Available

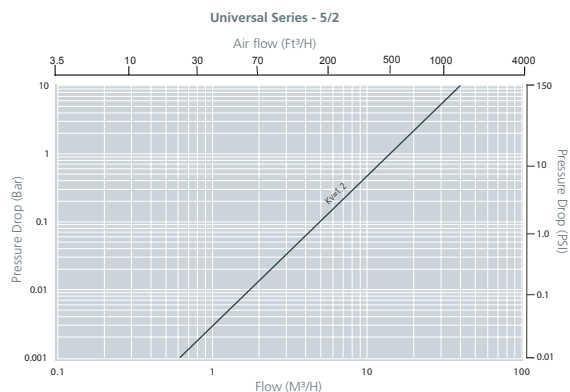
Solenoid Enclosure	
Protection Class	Electrical Entry
Exd T6 (IP67)	M20 x 1.5 Female (Std) (½" NPT conduit entry option)
Exd T4 (IP67)	
Exm	M16 x 1.5 Male flying lead
Exia	PG9 via Din Plug Connector Din 43650-A

Seal Material <sup>1</sup> and Media Temp. Range	EXD			EXM	
	Ambient Temperature Range °C			Ambient Temperature Range °C	
	Min	Max (T6)	Max (T4)	Min	Max (Exm)
NBR (-10 °C to +80 °C)	-10	40	70	-10	40

<sup>1</sup> See corrosion reference guide and sealing solutions for material compatibility.

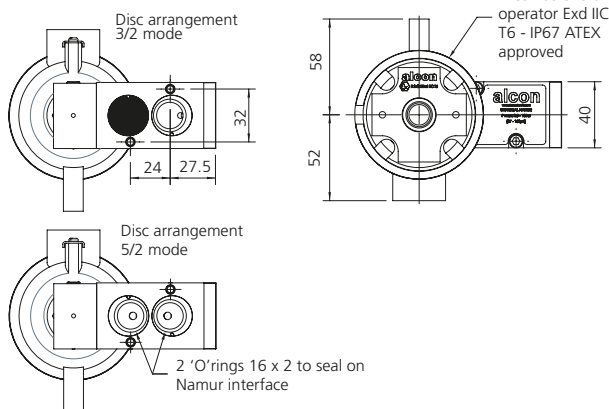
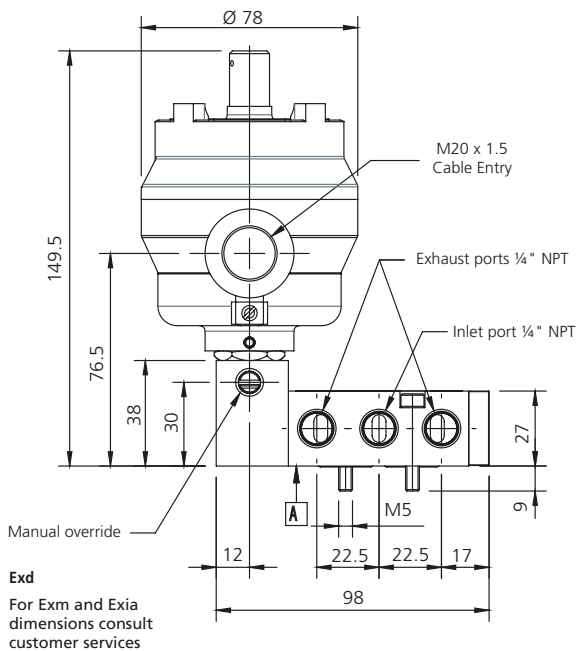
## How to use the flow chart

1. Select the required flow.
2. Note the corresponding pressure drop.
3. Based on where the two points intersect select the most appropriate model.



# NAMUR Series Exd, Exm & Exia

- 3/2 or 5/2 Universal



## Solenoid enclosures

### Intrinsically safe enclosure (ATEX approved)

External material: Thermoset resin  
 Electrical connection: PG9 via DIN plug connector Din 43650-A  
 Max power: consumption Exia 1.6 watts DC.  
 Winding: insulation Class F  
 Protection class: Exia IIC T6, ATEX approved for ambient temperatures -40 °C to +50 °C  
 Maximum valve media temperature of 70 °C. Weatherproof to IP65  
**For Exia option use product code 65B32Z3A5-1QJ1.**  
**For all other coding options see below:**



### Exd enclosure

Power consumption: Holding 19 VA, 12 V to 230 V, 50 / 60 Hz. 14.5 W, 12 V to 212 VDC  
 External material: Powder coated aluminium or 316 st.st. enclosure with st.st. nameplate  
 Electrical entry: M20 x 1.5 or 1/2" NPT conduit entry  
 Protection Class: II 2 G Exd IIC T6 for ambient temp -50 °C to +40 °C  
 Optional: II 2 G Exd IIC T4 for ambient temp -50 °C to +70 °C  
 Additional Weight: 0.8 kg - Aluminium or 1.5 kg - Stainless Steel



### Exm enclosure

Power consumption: Holding 16 VA, 12 V to 230 V, 50 / 60 Hz. 10 W 12, 24 VDC  
 External material: Powder coated metal enclosure with st.st. nameplate  
 Electrical entry: 2 metre length of approved 3 core cable with M16 conduit male winding insulation class.  
 Protection Class: II 2 G Exm II T5 for ambient temperatures -20 °C to +40 °C  
 Additional weight: 0.5 kg



## Coding chart

### Main Valve Assembly

Model	Valve Body Conn. Size	Connection Type	Operation	Body Material	Seals	Style
65 Namur	B 1/4"	3 NPT	2 MANUAL OVERRIDE	3 Aluminium	A NBR	1 Exm 3 Exd

65 B 3 2 Z 3 A • -

### Coil options

Enclosure	Voltage / Frequency	Electrical Connection	Approval
9 Exd Aluminium	E2 230 V / 50 Hz H2 110 V / 50 Hz & 120 V / 60 Hz F1 24 VDC	5 M20 x 1.5 9 1/2" NPT	9 ATEX T6 K ATEX T4
9	••	•	•
4	••	E	
Enclosure	Voltage / Frequency	Electrical Connection	
4 Exm	M1 230 V / 50 Hz M2 110 V / 50 Hz M4 24 VDC	E 3 metre lead M16 EXM	

### Product coding example:

65B32Z3A3-9E259 - Namur Series  
 1/4" NPT, manual override, aluminium, NBR seals, Exd T6 Aluminium 230 V / 50 Hz M20 x 1.5, ATEX T6 approval.

# Namur Series Ex & Exia (USA)

- 3/2, 5/2 Universal

Specifications	
Mode of Operation	<p>3/2 or 5/2</p>
Media	Air
Body Material	Anodised Aluminium
Flange Tube	Brass
Plunger and top stop	Stainless Steel
Springs	Stainless Steel
Seal Material	Nitrile (BunaN) (Std)
Electrical Characteristics	
Coil Voltage DC (=)	12 V, 24 V
Coil Voltage AC 60 Hz (-)	24 V, 120 V
Voltage Tolerance	+10% or -10%
Duty Cycle	100% ED
Protection Class (Exd)	II 2 G Ex d IIC T4 Tamb (-58 °F to + 158 °F) (NEMA 6 equivalent) II 2 G Ex d IIC T6 Tamb (-58 °F to + 104°F) (NEMA 6 equivalent) Class 1 Zone 1 Groups IIA, IIB, IIC gases
Protection Class (Exia)	Exia IIC T6 (-40 °F to + 122 °F) (NEMA 4 equivalent)
Electrical Connection (Exd)	½" NPT Port (Std)
Electrical Connection (Exia)	PG9 via Din Plug connector
Coil Insulation (Exd)	Class H
Coil Insulation (Exia)	Class F
Power Rating (Exd)	5 Watts
Power Rating (Exia)	1.6 Watts

## Features and Benefits

- Ideal for in-line system service and repair
- Choice of valve body material seals
- Manual Override
- Low power LED Light
- Dual Coil option
- Exd, Exia compatible
- CSA approval (for Exd only)
- Max cycle frequency 5/sec



Port Size	Cv	Kv	OPD (PSI)		P. Max Bar	Protection Class	Weight (lbs) excluding Solenoid
			AC Voltages	DC Voltages			
¼"	1.4	1.2	36-150	36-150	150	Exd	0.4

## Options Available

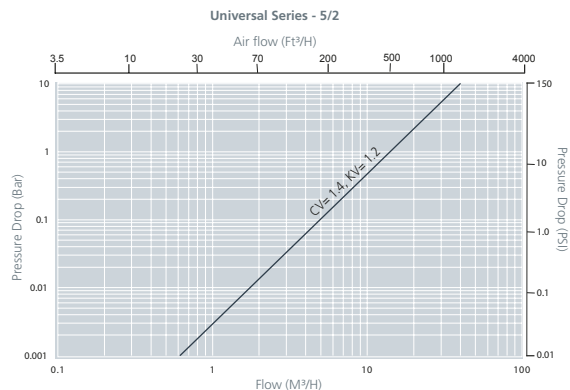
Solenoid Enclosure		
Protection Class	Electrical Entry	Enclosure Material
EExd T6 (NEMA 6 equivalent)	½" NPT conduit (std) M20 X1.5 conduit (option)	Aluminium
EExd T4 (NEMA 6 equivalent)		
Exia	9 mm DIN connector	Thermoset resin Weather Proof (NEMA 4 equivalent)

Seal Material <sup>1</sup> and Media Temp. Range	Ambient Temperature Range			
	Min	Max (T6)	Max (T4)	Max (Exia)
Nitrile (14 °F to +176 °F)	14 °F	104 °F	158 °F	122 °F

<sup>1</sup> See corrosion reference guide and sealing solutions for material compatibility.

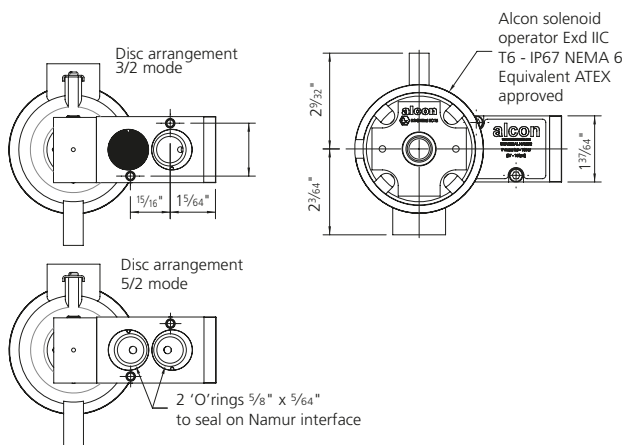
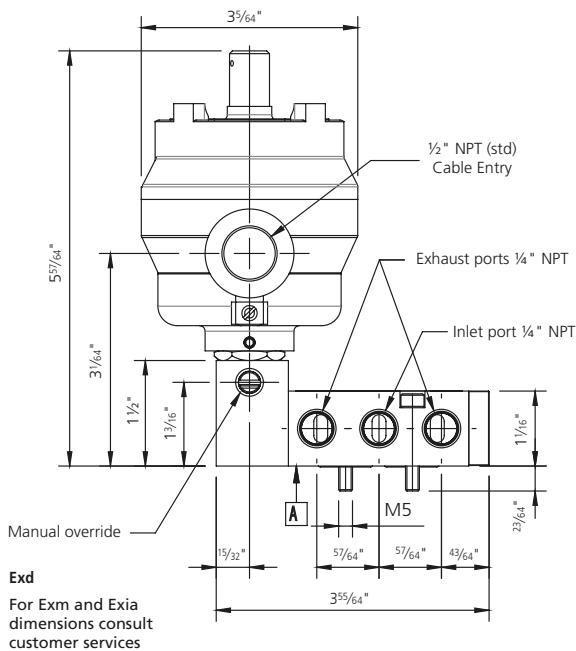
## How to use the flow chart

1. Select the required flow.
2. Note the corresponding pressure drop.
3. Based on where the two points intersect select the most appropriate model.



# Namur Series Ex & Exia (USA)

- 3/2, 5/2 Universal



## Solenoid enclosures



### Exd S4 type enclosure

Power consumption: Holding 19 VA, 12 V to 230 V 50 / 60 Hz.  
14.5 W, 12 V to 212 VDC

External material: Powder coated aluminium or 316 st.st. enclosure with st.st. nameplate

Electrical entry: 1/2" NPT conduit entry (standard)

Protection Class: II 2 G Exd IIC T6 for ambient temp -58 °F to +104 °F

Optional: II 2 G Exd IIC T4 for ambient temp -58 °F to +158 °F

Weight: 1.8 lbs Aluminium or 3.3 lbs - Stainless Steel

### CSA approval

Alcon flame proof enclosures are suitable for the following areas / gases:

- Zones 1 & 2
- Class 1 Division 1
- Class 1 Division 2

Groups: IIA, IIB, IIC gases



### Intrinsically safe enclosure (ATEX approved)

External material: Thermoset resin

Electrical connection: PG9 via DIN plug connector Din 43650-A

Max power consumption: Exia 1.6 Watts DC.

Winding: Insulation Class F

Protection class: Exia IIC T6, ATEX approved for ambient temperatures -40 °F to + 122 °F

For Exia option use product code 65B32Z3A5-1QJ1.  
For all other coding options see below:

## Coding chart

### Main Valve Assembly

Model	Size	Conn. Type	Operation	Orifice (mm)	Body Material	Seals	Style
65	Namur B 1/4"	3 NPT	2 Manual Override	Z Default	3 Aluminium	A Nitrile	3 Exd
65	B	3	2	Z	3	A	3

### Coil options

Enclosure	Voltage / Frequency	Electrical Connection	T Rating
9 Exd Aluminium	F1 24 VDC F4 12 VDC H1 24 V / 60 Hz H2 120 V / 60 Hz	9 1/2" NPT	9 Atex T6 K Atex T4 G ATEX T6 (CSA) I ATEX T4 (CSA)
9	••	9	•

### Product coding example:

65B32Z3A13-9H299:  
Namur Exd 1/4" NPT, manual override, Aluminium body, Nitrile seals 120 V / 60 Hz 1/2" NPT electrical connection T6.



# ADV Series

## Compressed Air – with Solenoid Valves

Specifications <sup>1</sup>	
Function (single acting)	<p>Direct Acting flow direction overseat 1 → 2</p>
	<p>Pilot Operated flow direction overseat 1 → 2</p>
Maximum Viscosity	Max. 21cST (3 °E)
Body Material (Std)	Brass CW617N (EN 12165)
Plunger	Stainless Steel 1.4106 EN 10088 (AISI 430F)
Top Stop	Stainless Steel 1.4105 EN 10088 (AISI 430F)
Springs	Stainless Steel 302
Seal Material (Std)	FKM
Connection Type (Std)	G parallel thread (ISO 228-1)
Shading Ring	Copper
Electrical Characteristics	
Standard Coil Voltage DC (=)	24 V
Standard Coil Voltage AC 50 Hz (-)	24 V, 110 V, 200 V, 230 V
Standard Coil Voltage AC 60 Hz (-)	24 V, 120 V, 220 V, 240 V
Voltage Tolerance	+10% to -15% (AC)
	+10% to -5% (DC)
Duty Cycle	100% ED
Protection Class	IP65 (EN 60529) with plug and gasket correctly fitted *
Electrical Connection	to EN 175301 - 803 - A (ex DIN 43650)
Coil Insulation	Class F 155 °C
Power Rating (Standard)	AC 18 VA (holding) AC 36 VA (inrush) DC 14 W

<sup>1</sup> For more information about detailed solenoid valve and timer please refer to each single datasheet.

### Features and Benefits

- Preassembled systems consisting of solenoid valve, timer and connector
- Application: time adjusted condensate discharge of tanks with compressed air, separators, mains drainage, dryers and filters
- Direct acting and pilot operated valve
- Adjustable to suit your system requirements
- Indoor / outdoor installations
- Reliable, long life
- Cost effective
- Visual indication of operation
- Manual override - test button
- Discharge time (timer ON): from 0.5 to 10 s
- Interval time (timer OFF): from 30 s to 45 minutes



### Options Available

ADV Options <sup>2</sup>
Strainers, NPT thread, impregnated coils with additional protection by impregnation with Loctite® Resinol RTC for humid environments, UL coils (contact sales office for options).

<sup>2</sup> ADV code changes depending on the required options codes in the selection table refer to the listed combination of components only.

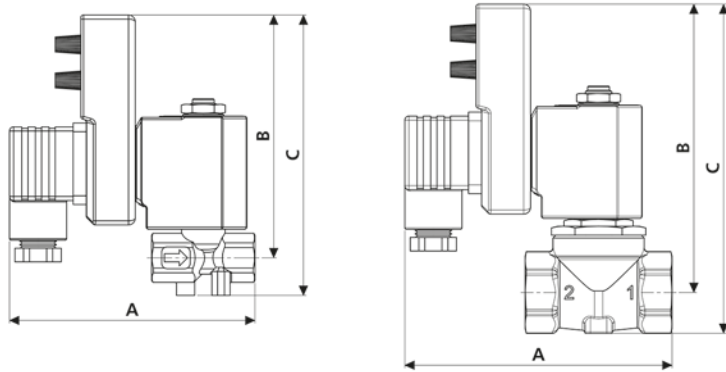
Seal Material <sup>3</sup> and media temperature range	Media	Ambient Temperature Range	
		Min	Max
FKM (-10 °C to +130 °C)	Water, oil, air	-10 °C	50 °C

<sup>3</sup> See corrosion reference guide and sealing solutions for material compatibility.

Pipe Size	Cv (gpm)	Kv (m <sup>3</sup> /h)	OPD (bar)		Orifice (mm)	Valve Code	Conn. Code	Timer Code	Voltage	ADV Code <sup>2</sup>
			AC Volt	DC Volt						
<b>With Direct Acting Solenoid Valves</b>										
¼"	0.17	0.14	0 - 18	-	2.2	D249DVF	600 011-	AT2720	110 V 50 Hz - 120 V 60 Hz	888 120 00-
¼"	0.17	0.14	0 - 18	-	2.2	D249DVF	600 011-	AT2720	230 V 50 Hz - 240 V 60 Hz	888 121 00-
¼"	0.17	0.14	-	0 - 16	2.2	D249DVF	600 011-	AT2720	24 VDC	888 122 00-
<b>With Pilot Operated Solenoid Valves</b>										
¼"	1.47	1.26	0.1 - 16	-	10.5	D264DVU	600 011-	AT2720	110 V 50 Hz - 120 V 60 Hz	888 123 00-
¼"	1.47	1.26	0.1 - 16	-	10.5	D264DVU	600 011-	AT2720	230 V 50 Hz - 240 V 60 Hz	888 124 00-
¼"	1.47	1.26	-	0.1 - 7	10.5	D264DVU	600 011-	AT2720	24 VDC	888 125 00-
⅜"	1.68	1.44	0.1 - 16	-	10.5	D265DVU	600 011-	AT2720	110 V 50 Hz - 120 V 60 Hz	888 126 00-
⅜"	1.68	1.44	0.1 - 16	-	10.5	D265DVU	600 011-	AT2720	230 V 50 Hz - 240 V 60 Hz	888 127 00-
⅜"	1.68	1.44	-	0.1 - 7	10.5	D265DVU	600 011-	AT2720	24 VDC	888 128 00-
½"	1.75	1.50	0.1 - 16	-	10.5	D266DVU	600 011-	AT2720	110 V 50 Hz - 120 V 60 Hz	888 129 00-
½"			0.1 - 16	-	10.5	D266DVU	600 011-	AT2720	230 V 50 Hz - 240 V 60 Hz	888 130 00-
½"			-	0.1 - 7	10.5	D266DVU	600 011-	AT2720	24 VDC	888 131 00-

# ADV Series

## Compressed Air – with Solenoid Valves



Valve Series	A	B	C	Weight (kg)
D248/249	90	86	100	-
D264/265/266	98	103	118	-

Dimensions (mm)

### Solenoid enclosures

#### 7--0 Type Coil - Insulation class F

External material: PBT (reinforced fibreglass 30%)  
 Electrical connection: DIN EN 175301-803 form A  
 Winding insulation: Class H (E180)  
 Enclosure classification: Conforms to IP65 (according to EN 60529) with plug and gasket correctly fitted\*



\* Plug and gasket not supplied as standard, must be ordered separately.

#### Type 600 011- Plug

Rated Voltage (max.): 250 VAC / 300 VDC  
 Nominal Current: 10A (rated) / 16A (max)  
 Wire cross-section: 1.5 mm<sup>2</sup> max  
 Cable Entry: PG9 (6 to 8 mm)  
 Enclosure classification: Conforms to IP65 (according to EN 60529) with supplied gasket  
 Insulation class: group C- VDE 0110  
 Housing colour: black  
 UL approved, file No: E205538



## Strainer for Condensate Drain Valve Systems

Strainer consisting of a ball valve with filter to be used together with the automatic drain valve. In order to clean and check the filter it is enough to close the valve to isolate it and then unscrew the plug.

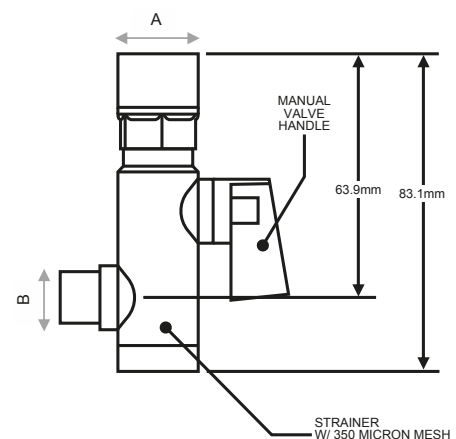
### Common Features

Media: water, oil, air and inert gases  
 Media temperature: -10 to +130 °C  
 Ambient temperature: -10 to +50 °C  
 Strainer material: brass (CW617N EN 12165)  
 Ball valve material: chromed brass (EN 5705-65)  
 Filter material: stainless steel (1.4305 EN 10088/AISI 304)  
 Seal material: PTFE  
 Strainer max. working pressure: 50 barg

### Benefits

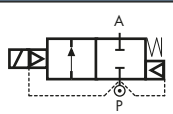
Cap for inspection and cleaning

Dimensions & Weights		887057	887059
A	Thread	½" BSP	½" BSP
B	Thread	½" BSP	¼" BSP
Weight	(kg)	0.16	0.16



# ADV Series (USA)

## Compressed Air – with Solenoid Valves

Specifications <sup>1</sup>	
Function (single acting)	 <p>Pilot Operated flow direction overseat 1 → 2</p>
Maximum Viscosity	Max. 21cST (3 °E)
Body Material (Std)	Brass C37700 (UNS Designation)
Flange	Stainless Steel AISI 303 (1.4305 EN 10088)
Tube	Stainless Steel AISI 304
Plunger	Stainless Steel AISI 430F (1.4106 EN 10088)
Top Stop	Stainless Steel AISI 430F (1.4105 EN 10088)
Springs	Stainless Steel 302
Seal Material (Std)	FKM
Connection Type	NPT
Shading Ring	Copper
Electrical Characteristics	
Coil Voltage DC (=)	24 V
Coil Voltage AC 50 Hz (-)	24 V, 110 V, 230 V
Coil Voltage AC 60 Hz (-)	120 V, 240 V
Voltage Tolerance	+10% to -15% (AC)
	+10% to -5% (DC)
Duty Cycle	100% ED
Enclosure Classification	NEMA type 4 (UL 50) and IP65 (EN 60529) with plug and gasket correctly fitted *
Electrical Connection	to EN 175301 - 803 - A (ex DIN 43650)
Coil Insulation Class	155 (F) to UL429 and to EN 60730-1
Power Rating (cULus Coils)	AC 15 VA (holding) AC 30 VA (inrush) DC 14 W

<sup>1</sup> For more information about detailed solenoid valve and timer please refer to each single datasheet.

### Features and Benefits

- Preassembled systems consisting of solenoid valve, timer and connector
- Application: time adjusted condensate discharge of tanks with compressed air, separators, mains drainage, dryers and filters
- Direct acting and pilot operated valve
- Adjustable to suit your system requirements
- Indoor / outdoor installations
- Reliable, long life
- Cost effective
- Visual indication of operation
- Manual override - test button
- Discharge time (timer ON): from 0.5 to 10 s
- Interval time (timer OFF): from 30 s to 45 minutes



Pipe Size	OPD psi (bar)		Orifice inches (mm)	Valve Code	Conn. Code	Timer Code	Coil code	ADV Code <sup>2</sup>
	AC Volt	DC Volt						
<b>With Pilot Operated Solenoid Valves</b>								
1/4	1.5 - 300 (0.1 - 20.7)	-	13/32 (10.5)	D264DVUN	600 011-	AT2720	740R	888 109 00A
3/8	1.5 - 300 (0.1 - 20.7)	-	13/32 (10.5)	D265DVUN	600 011-	AT2720	740R	888 105 00A
1/2	1.5 - 300 (0.1 - 20.7)	-	13/32 (10.5)	D266DVUN	600 011-	AT2720	740R	888 107 00A

### Options Available

ADV Options <sup>2</sup>
Strainers, G parallel thread (ISO 228-1), CE coils, impregnated coils with additional protection by impregnation with Loctite® Resinol RTC for humid environments

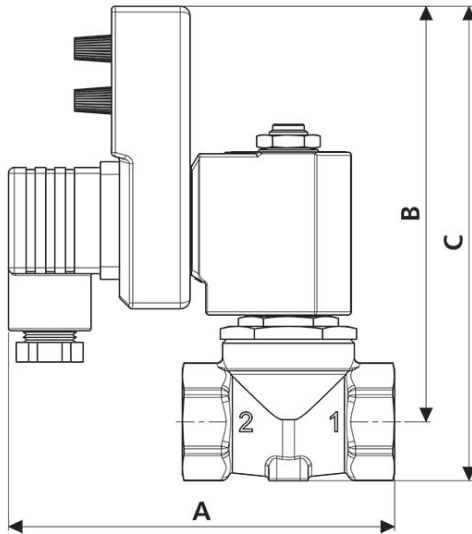
<sup>2</sup> ADV code changes depending on the required options. Codes in the selection table refer to the listed combination of components only.

Seal Material <sup>3</sup> and Media Temperature Range	Media	Ambient Temperature Range	
		Min	Max
FKM 14 °F to 266 °F (-10 °C to +130 °C)	Water, oil, air	14 °F (-10 °C)	122 °F (+50 °C)

<sup>3</sup> See corrosion reference guide and sealing solutions for material compatibility.

# ADV Series (USA)

## Compressed Air – with Solenoid Valves



Valve Series	A	B	C	Weight Lb (kg)
D264-/265-/266-	3.86 (98)	4.05 (103)	4.65 (118)	-

Dimensions inches (mm)

### Solenoid enclosures

#### 7--R c us Type Coil - Insulation class F

Encapsulation material: PET 815ER Rynite®  
 Electrical connection: DIN EN 175301-803 form A  
 Winding insulation: Class H (P180)  
 Enclosure classification: Conforms to NEMA type 4 (UL 50) and IP65 (according to EN 60529) with plug and gasket correctly fitted\*  
 UL approved, file No: E193928



\* Plug and gasket not supplied as standard, must be ordered separately.

#### Type 600 011- Plug

Rated Voltage (max.): 250 VAC / 300 VDC  
 Nominal Current: 10A (rated) / 16A (max)  
 Wire cross-section: 0.0023 inch<sup>2</sup> max (1.5 mm<sup>2</sup> max)  
 Cable Entry: PG9 (0.24 to 0.31 inch / 6 to 8 mm)  
 Enclosure classification: Conforms to IP65 (according to EN 60529) with supplied gasket  
 Insulation class: group C- VDE 0110  
 Housing colour: black  
 UL approved, file No: E205538



# AT2000, Analog Electronic Timer

Specifications	
Operation Temperature	-10°C to +50°C
Timing Temperature Coefficient	± 0.005% - °C
Time ON	from 0.5 to 10 seconds
Time OFF	from 30 seconds to 45 minutes
Set/reset/test	membrane key
Indicators	yellow LED for 'power ON'
	yellow LED for 'valve open'
Manual Override	test
Electrical Characteristics	
Supply Voltage (AC/DC)	from 24 V to 240 V - 50/60 Hz (UL)
	from 24 V to 240 V - 50/60 Hz (CE)
Switch Holding Voltage	400 V max.
Switch Capacity	1A
Inrush Current	10A for 10 ms
Absorption	4 mA max.
Duty Cycle	100% ED
Switch Life	3 • 10 <sup>8</sup>
Repeat Accuracy	±1%
Protection Class	IP65 (EN 60529) with plug and gasket correctly fitted *
Circuit	UL 94 V0

## Features and Benefits

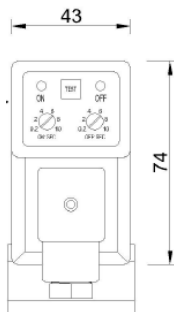
- Ideal for: automatic drain valve, sampling valves, lubrication system, air dryers
- Black colour
- UL approved



## Notes

In case of DC supply, polarity should be reversed: left fast-on positive (+), right fast-on negative (-). Please refer to product instructions for use.

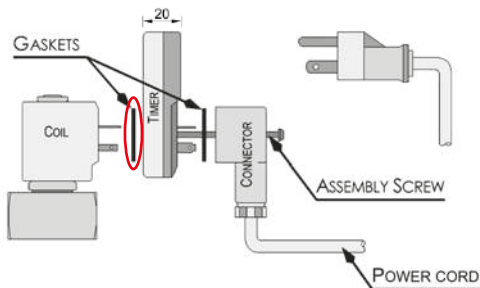
Supplied in single boxes with one squared gasket and M3x50 fixing screw (see assembling scheme).




Valve Series	Width	Height	Depth	Weight (kg)
AT2720	43	74	20	0.077

Dimensions (mm)

## Assembling scheme



# AT2000, Analog Electronic Timer (USA)

Specifications	
Operation Temperature	14 °F to 122 °F (-10°C to +50°C)
Timing Temperature Coefficient	± 0.005% - °C
Time ON	from 0.5 to 10 seconds
Time OFF	from 30 seconds to 45 minutes
Set/reset/test	membrane key
Indicators	yellow LED for 'power ON'
	yellow LED for 'valve open'
Manual Override	test
Electrical Characteristics	
Supply Voltage (AC/DC)	from 24 V to 240 V - 50/60 Hz (c  )
	from 24 V to 240 V - 50/60 Hz (CE)
Switch Holding Voltage	400 V max.
Switch Capacity	1A
Inrush Current	10A for 10 ms
Absorption	4 mA max.
Duty Cycle	100% ED
Switch Life	3 • 10 <sup>8</sup>
Repeat Accuracy	±1%
Enclosure Classification	NEMA type 4 (UL 50) and IP65 (EN 60529) with plug and gasket correctly fitted *
Circuit	UL 94 V0

## Features and Benefits

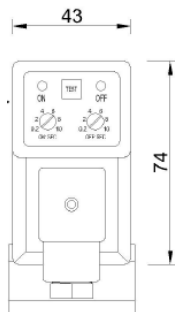
- Ideal for: automatic drain valve, sampling valves, lubrication system, air dryers
- Black colour
- UL approved



## Notes

In case of DC supply, polarity should be reversed: left fast-on positive (+), right fast-on negative (-). Please refer to product instructions for use.

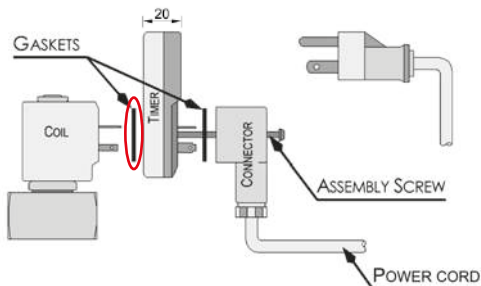
Supplied in single boxes with one squared gasket and M3x50 fixing screw (see assembling scheme).



Valve Series	Width	Height	Depth	Weight Lb (kg)
AT2720	1.69 (43)	2.91 (74)	0.79 (20)	0.17 (0.077)

Dimensions inches (mm)

## Assembling scheme



# Solenoid Enclosures (Safe Area)

## Series 2000 & 7000

Coils manufactured by Rotork are designed for continuous duty in conformity to the EN 60730 safety standards. They are encapsulated in a self-extinguishing synthetic material and offer high mechanical protection and excellent thermal dissipation. They are fully interchangeable on all Rotork solenoid valves, thereby reducing warehouse inventories.

### Common Features

Electrical connection: fast on connection 6.3x0.8  
 Protection class: IP 65 (according to EN60529) - NEMA 4 (UL 50) with connector and gasket  
 Operation: continuous (ED 100%)  
 Voltage tolerance: AC +10% ÷ -15%  
 DC +10% ÷ -5%

### Notes

All coils manufactured by Rotork with the RoHS Directive (2011/65/EU)  
 Insulation class according to EN 60730-1 see the below table  
 All windings are realised with class 'H' wires (180 °C)  
 Custom voltages and low power consumption available: please contact the Sales Department  
**Minimum batch quantity required for some voltage ratings**

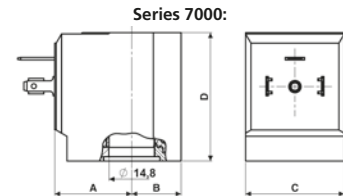
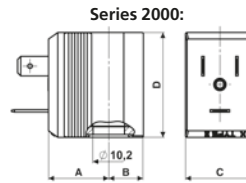


SERIES: 2000



SERIES: 7000

Dimensions & Weights		Series 2000	Series 7000
A	(mm)	19.5	25
B	(mm)	11.2	16
C	(mm)	22.3	32
D	(mm)	33.7	41.4
Weight	(kg)	0.060	0.146



Coils	Voltage	Power		Class	Ambient Temperature		Media Temperature <sup>1</sup>		
		Holding	Inrush		Min.	Max.	Min.	Max.	
<b>Code</b>	-	<b>Holding</b>	<b>Inrush</b>	-	<b>Min.</b>	<b>Max.</b>	<b>Min.</b>	<b>Max.</b>	
<b>2150</b>	12 VDC	7 W	—	F 155 °C	-10 °C	+50 °C	-10 °C	+130 °C	<b>Series 2000 - Standard</b> Connection: to DIN 46244
<b>2250</b>	24 VDC	7 W	—						
<b>2750</b>	230 VDC	7 W	—						
<b>2100</b>	12 V / 50/60 Hz	10 VA	16 VA						
<b>2200</b>	24 V / 50/60 Hz	10 VA	16 VA						
<b>2300</b>	48 V / 50/60 Hz	10 VA	16 VA						
<b>2400</b>	110 V / 50 Hz - 120 V / 60 Hz	10 VA	16 VA						
<b>2600</b>	200 V / 50 Hz - 220 V / 60 Hz	10 VA	16 VA						
<b>2700</b>	230 V / 50 Hz - 240 V / 60 Hz	10 VA	16 VA						
<b>215R</b>	12 VDC	6 W	—	F 155 °C	-10 °C	+60 °C	-10 °C	+130 °C	<b>Series 200R - UL approved</b> UL approved coils recognized component, file number E193928
<b>225R</b>	24 VDC	6 W	—						
<b>220R</b>	24 V / 50 Hz	9 VA	14 VA						
<b>226R</b>	24 V / 60 Hz	9 VA	14 VA						
<b>240R</b>	110 V / 50 Hz - 120 V / 60 Hz	9 VA	14 VA						
<b>270R</b>	230 V / 50 Hz - 240 V / 60 Hz	9 VA	14 VA						
<b>B150</b>	12 VDC	7 W	—	F 155 °C	-10 °C	+50 °C	-10 °C	+130 °C	<b>Series B000 - Impregnated</b> Impregnated coils for humid environments (e.g code B400)
<b>B250</b>	24 VDC	7 W	—						
<b>B200</b>	24 V / 50/60 Hz	10 VA	16 VA						
<b>B400</b>	110 V / 50 Hz - 120 V / 60 Hz	10 VA	16 VA						
<b>B700</b>	230 V / 50 Hz - 240 V / 60 Hz	10 VA	16 VA						
<b>21V1</b>	12 VDC	10 W	—	H 180 °C	-10 °C	+70 °C	-10 °C	+130 °C	<b>Series 2001 - Class 'H'</b>
<b>22V1</b>	24 VDC	10 W	—						

<sup>1</sup> Some valve configurations allow a max. fluid temperature up to 180 °C, please check valve datasheets.

## Solenoid Enclosures (Safe Area)

Coils	Voltage	Power		Class	Ambient Temperature		Media Temperature <sup>1</sup>		
		Holding	Inrush		Min.	Max.	Min.	Max.	
715Q	12 VDC	14 W	—	F 155 °C	-10 °C	+50 °C	-10 °C	+130 °C	<b>Series 7000 - Standard</b> Connection: to DIN EN 175301-803 form A (ex DIN 43650-A)  <b>OPTIONS</b> Impregnated coils for humid environments (e.g. code D400)
725Q	24 VDC	14 W	—						
775Q	230 VDC	14 W	—						
710Q	12 V / 50/60 Hz	18 VA	36 VA						
720Q	24 V / 50/60 Hz	18 VA	36 VA						
730Q	48 V / 50/60 Hz	18 VA	36 VA						
740Q	110 V / 50 Hz - 120 V / 60 Hz	18 VA	36 VA						
760Q	200 V / 50 Hz - 220 V / 60 Hz	18 VA	36 VA						
770Q	230 V / 50 Hz - 240 V / 60 Hz	18 VA	36 VA						
725R	24 VDC	10 W	—	F 155 °C	-10 °C	+60 °C	-10 °C	+130 °C	<b>Series 700R - UL approved</b> UL approved coils recognized component, file number E193928
720R	24 V / 50 Hz	15 VA	30 VA						
740R	110 V / 50 Hz - 120 V / 60 Hz	15 VA	30 VA						
770R	230 V / 50 Hz - 240 V / 60 Hz	15 VA	30 VA						
725I	24 VDC	14 W	—	H 180 °C	-10 °C	+70 °C	-10 °C	+130 °C	<b>Series 700I - Class 'H'</b> <b>OPTIONS</b> Impregnated coils for humid environments (e.g. code D701)
720I	24 V / 50/60 Hz	18 VA	36 VA						
740I	110 V / 50 Hz - 120 V / 60 Hz	18 VA	36 VA						
770I	230 V / 50 Hz - 24 V / 60 Hz	18 VA	36 VA						
71Z1	12 VDC	22 W	—	H 180 °C	-10 °C	+70 °C	-10 °C	+130 °C	<b>Series 700Z - High Power</b> <b>OPTIONS</b> Impregnated coils for humid environments (e.g. code D7K1)
72Z1	24 VDC	22 W	—						
72K1	24 V / 50/60 Hz	25 VA	50 VA						
74K1	110 V / 50 Hz - 120 V / 60 Hz	25 VA	50 VA						
77K1	230 V / 50 Hz - 240 V / 60 Hz	25 VA	50 VA						

<sup>1</sup> Some valve configurations allow a max. fluid temperature up to 180 °C, please check valve datasheets.



## Solenoid Enclosures (Safe Area)

Type : E5, S50, S4, S7

<p><b>E5 Type Enclosure</b>  <b>Protection Class IP65</b>            External Material: Glass reinforced nylon            Electrical Connection: DIN Plug to ISO 4400            Winding insulation Class H            Enclosure conforms to IP65 when correct plug gasket is fitted as supplied.            Standard enclosure for most popular Alcon valves.</p>	
<p><b>S50 Type Enclosure</b>  <b>Protection Class IP65</b>            Material: Pressed steel            Electrical Connection: DIN Plug to ISO 4400            Winding insulation Class H            This enclosure conforms to IP65 when correct plug seal gasket is fitted            Enclosure for the following types: FACHL, GB8.</p>	
<p><b>S4 Type Enclosure</b>  <b>Protection Class IP50</b>            External Material: Pressed steel Powder Coated            Electrical Entry: Conduit boss 20 mm or 1/2" NPT            Electrical Connection: Screwed terminals or 0.5 mm flying leads, or DIN connector for cryogenic applications            Winding insulation Class H            Optional enclosure for the following types: ACD, ACDN, GB.</p>	
<p><b>S7 Type Enclosure</b>  <b>Protection Class IP65</b>            Material: Nylon            Electrical Connection: DIN Plug to ISO 4400            Standard Enclosure for Universal Namur Valves            Winding insulation Class F            This enclosure conforms to IP65 when correct plug seal gasket is fitted as supplied.</p>	

# Solenoid Enclosures (Safe Area) (USA)

## Series 2000 & 7000

Specifications	
<b>Electrical Connection</b>	fast on connection 0.25x0.03 inches (6.3x0.8 mm)
<b>Protection Class</b>	NEMA type 4 (UL 50) and IP65 (according to EN60529) - with plug and gasket correctly fitted
<b>Operation</b>	Continuous (ED 100%)
<b>Voltage Tolerance</b>	AC +10% to -15%
	DC +10% to -5%
<b>Insulation Class</b>	according to EN 60730-1 <sup>1</sup>

<sup>1</sup> See the below table.

### Options Available

Coils Options
Impregnated coils for humid environments
Custom voltages and low power consumption, please consult supplier for more details

### Features and Benefits

- UL approved coils recognized component, file number E193928
- Coils are designed for continuous duty in conformity to the EN 60730 safety standards.
- All coils are encapsulated in a self-extinguishing synthetic material and offer high mechanical protection and excellent thermal dissipation
- Fully interchangeable on all solenoid valves
- Reduced stock

### Series 2



### Series 7

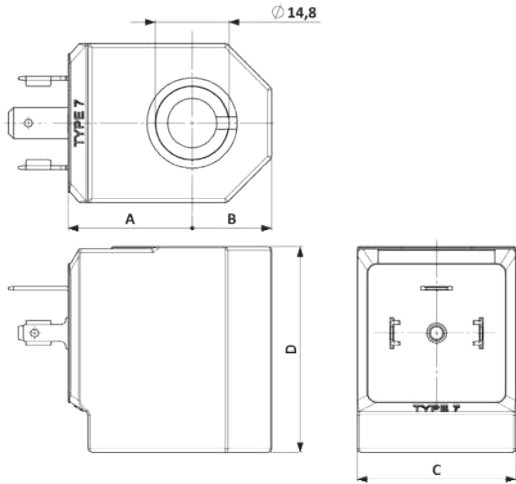


Coil Code	Series	Voltages	Power		Insulation Class	Ambient Temperature Range		Media Temperature Range <sup>2</sup>	
			Holding	Inrush		Min.	Max.	Min.	Max.
215Q	Series 2 Standard	12 VDC	7 W	-	155 (F)	14 °F (-10 °C)	122 °F (+50 °C)	14 °F (-10 °C)	266 °F (+130 °C)
225Q		24 VDC	7 W	-					
275Q		230 VDC	7 W	-					
220Q		24 V / 50/60 Hz	10 VA	16 VA					
230Q		48 V / 50/60 Hz	10 VA	16 VA					
240Q		110 V / 50 Hz - 120 V / 60 Hz	10 VA	16 VA					
260Q		200 V / 50 Hz - 220 V / 60 Hz	10 VA	16 VA					
270Q		230 V / 50 Hz - 240 V / 60 Hz	10 VA	16 VA					
225R	Series 2 UL approved	24 VDC	6 W	-	155 (F)	14 °F (-10 °C)	140 °F (+60 °C)	14 °F (-10 °C)	266 °F (+130 °C)
220R		24 V / 50 Hz	9 VA	14 VA					
240R		110 V / 50 Hz - 120 V / 60 Hz	9 VA	14 VA					
270R		230 V / 50 Hz - 240 V / 60 Hz	9 VA	14 VA					
21V1	Series 2 High power	12 VDC	10 W	-	180 (H)	14 °F (-10 °C)	158 °F (+70 °C)	14 °F (-10 °C)	266 °F (+130 °C)
22V1		24 VDC	10 W	-					
715Q	Series 7 Standard	12 VDC	14 W	-	155 (F)	14 °F (-10 °C)	122 °F (+50 °C)	14 °F (-10 °C)	266 °F (+130 °C)
725Q		24 VDC	14 W	-					
775Q		230 VDC	14 W	-					
720Q		24 V / 50/60 Hz	18 VA	36 VA					
730Q		48 V / 50/60 Hz	18 VA	36 VA					
740Q		110 V / 50 Hz - 120 V / 60 Hz	18 VA	36 VA					
760Q		200 V / 50 Hz - 220 V / 60 Hz	18 VA	36 VA					
770Q		230 V / 50 Hz - 240 V / 60 Hz	18 VA	36 VA					
725R	Series 7 UL approved	24 VDC	10 W	-	155 (F)	14 °F (-10 °C)	140 °F (+60 °C)	14 °F (-10 °C)	266 °F (+130 °C)
720R		24 V / 50 Hz	15 VA	30 VA					
740R		110 V / 50 Hz - 120 V / 60 Hz	15 VA	30 VA					
770R		230 V / 50 Hz - 240 V / 60 Hz	15 VA	30 VA					
7251	Series 7 Class H	24 VDC	14 W	-	180 (H)	14 °F (-10 °C)	158 °F (+70 °C)	14 °F (-10 °C)	266 °F (+130 °C)
7201		24 V / 50/60 Hz	18 VA	36 VA					
7401		110 V / 50 Hz - 120 V / 60 Hz	18 VA	36 VA					
7701		230 V / 50 Hz - 240 V / 60 Hz	18 VA	36 VA					
71Z1	Series 7 High power	12 VDC	22 W	-	180 (H)	14 °F (-10 °C)	158 °F (+70 °C)	14 °F (-10 °C)	266 °F (+130 °C)
72Z1		24 VDC	22 W	-					
72K1		24 V / 50/60 Hz	25 VA	50 VA					
74K1		110 V / 50 Hz - 120 V / 60 Hz	25 VA	50 VA					
77K1		230 V / 50 Hz - 240 V / 60 Hz	25 VA	50 VA					

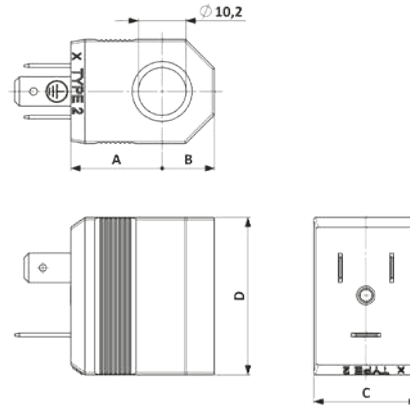
<sup>2</sup> Some valve configurations allow a max. fluid temperature up to 180 °C (356 °F), please check valve datasheets.

## Solenoid Enclosures (Safe Area) (USA)

Series 7:



Series 2:



Coils Series	A	B	C	D	Weight Lb (kg)
Series 2	0.77 (19.5)	0.44 (11.2)	0.88 (22.3)	1.33 (33.7)	0.132 (0.060)
Series 7	0.98 (25)	0.63 (16)	1.26 (32)	1.63 (41.4)	0.321 (0.146)

Dimensions inches (mm)

## Solenoid Enclosures (Safe Area) (USA)

Type : S4, S7

<p><b>S4 Type Enclosure</b> <b>Protection Class IP50</b> External Material: Pressed steel Powder Coated Electrical Entry: Conduit boss 20 mm or ½" NPT Electrical Connection: Screwed terminals or 0.5 mm flying leads, or DIN connector for cryogenic applications Winding insulation Class H Optional enclosure for the following types: ACD, ACDN, GB.</p>	 A blue, rectangular solenoid enclosure with a brass-colored electrical entry on the left side and a circular opening on the top surface.
<p><b>S7 Type Enclosure</b> <b>Protection Class IP65</b> Material: Nylon Electrical Connection: DIN Plug to ISO 4400 Standard Enclosure for Universal Namur Valves Winding insulation Class F This enclosure conforms to IP65 when correct plug seal gasket is fitted as supplied.</p>	 A black, rectangular solenoid enclosure with a DIN plug on the right side and a circular opening on the top surface. A label with the 'alicon' logo is visible on the front.

## Solenoid Enclosures (Hazardous Area)



### Explosion-proof / Weatherproof

Enclosure S4 Type Exd ATEX or IECEx / CSA approved.

Intended for use in potentially explosive atmospheres Directive 2014/34/EU.

Compliance with essential health and safety requirements EN60529 (IP67), EN60079-1 and EN60079-0.

### Features

- Special purpose solenoid valves are used for controlling gases or liquids where a potentially explosive gas/air mixture is present in the atmosphere for long periods or likely to occur in normal operation
- Alcon flameproof enclosures are suitable for hazardous areas Zone 1 and Zone 2, for the control of Group IIA, IIB, IIC gases

### Application

- Valves configured for Hazardous Areas
- User to consult all applicable codes, such as N.E.C., EU directive 99/92/EC, for definitions, performance and safety requirements associated with Hazardous Area Classification, Apparatus Group, Zones, Division and Temperature Classification

Protection Class: II 2 G Exd IIC T6 for ambient temperatures -50 °C to +40 °C

Optional: II 2 G Exd IIC T4 for ambient temperatures -50 °C to +70 °C

Certificate No: Sira 03ATEX1319 (ATEX)  
IECEX CSA 07.0002  
1676463 (CSA)

Weatherproof to IP67

### Technical Specification

Power Consumption: Holding – 19 VA, 12 V to 230 V  
50 / 60 Hz. 14.5 W 12 V to 212 VDC

Material: Powder coated Aluminium or 316 St. St enclosure with St. St nameplate

Electrical Entry: M20 x 1.5 or ½" NPT Conduit Entry

**Applicable to the following types:  
ACD, ACP, GB, FACHL, NAMUR**



### Explosion-proof / Weatherproof

Enclosure S4 Type Exm ATEX or IECEx approved.

Intended for use in potentially explosive atmospheres Directive 2014/34/EU.

Compliance with essential health and safety requirements EN60079-0 and EN60079-18.

### Features

- Special purpose solenoid valves are used for controlling gases or liquids where a potentially explosive gas/air mixture is present in the atmosphere for long periods or likely to occur in normal operation
- Alcon flameproof enclosures are suitable for hazardous areas Zone 1 and Zone 2, for the control of Group II gases

### Application

- Valves configured for Hazardous Areas
- User to consult all applicable codes, such as N.E.C., EU directive 99/92/EC, for definitions, performance and safety requirements associated with Hazardous Area Classification, Apparatus Group, Zones, Division and Temperature Classification
- Applicable to all catalogue valves except HWA.

Protection Class: II 2 G Exm II T5 for ambient temperatures -20 °C to +40 °C

Hazardous area certificates:  
Baseefa06ATEX0302X (ATEX)  
IECEX BAS06.0080X

Weatherproof to IP65

### Technical Specification

Power Consumption: Holding – 16 VA, 12 V to 230 V  
50 / 60 Hz. 10 W, 12, 24 VDC

Material: Powder coated metal enclosure with stainless steel nameplate

Electrical Entry: 2 metre length of approved 3 Core cable with M16 conduit male winding insulation class

**Applicable to the following types:  
ACD, ACP, GB, FACHL (24 VDC)**

## Solenoid Enclosures (Hazardous Area)



### Intrinsically Safe Enclosures (ATEX approved)

Complies with EN60079-0 and EN60079-11

Protection Class: Exia IIC T6, ATEX approved for ambient temperatures -40 °C to + 50 °C

Maximum valve media temperature of 70 °C

Certificate No: PTB 02 ATEX 2154

Weatherproof to IP65

### Technical Specification

Winding insulation: Class F

Rated Voltage: 24 VDC with typical 300 ohm zener barrier

Max Power Consumption: Exia 1.6 watts DC

Material: Thermoset resin

Electrical Entry: PG9 via Din Plug Connector  
Din 43650-A

**Applicable to the following types:  
UNIVERSAL NAMUR**

## Solenoid Enclosures (Hazardous Area) (USA)



### Explosion-proof / Weatherproof

Enclosure S4 Type Exd ATEX or IECEx / CSA approved.

Intended for use in potentially explosive atmospheres Directive 2014/34/EU.

Compliance with essential health and safety requirements EN60529 (IP67), EN60079-1 and EN60079-0.

### Features

- Special purpose solenoid valves are used for controlling gases or liquids where a potentially explosive gas/air mixture is present in the atmosphere for long periods or likely to occur in normal operation
- Alcon flameproof enclosures are suitable for hazardous areas Zone 1 and Zone 2, for the control of Group IIA, IIB, IIC gases

### Application

- Valves configured for Hazardous Areas
- User to consult all applicable codes, such as N.E.C., EU directive 99/92/EC, for definitions, performance and safety requirements associated with Hazardous Area Classification, Apparatus Group, Zones, Division and Temperature Classification

Protection Class: II 2 G Exd IIC T6 for ambient temperatures -50 °C to +40 °C

Optional: II 2 G Exd IIC T4 for ambient temperatures -50 °C to +70 °C

Certificate No: Sira 03ATEX1319 (ATEX)  
IECEx CSA 07.0002  
1676463 (CSA)

Weatherproof to IP67

### Technical Specification

Power Consumption: Holding – 19 VA, 12 V to 230 V  
50 / 60 Hz. 14.5 W 12 V to 212 VDC

Material: Powder coated Aluminium or 316 St. St enclosure with St. St nameplate

Electrical Entry: M20 x 1.5 or ½" NPT Conduit Entry

**Applicable to the following types:  
ACD, ACP, GB, NAMUR**



### Intrinsically Safe Enclosures (ATEX approved)

Complies with EN60079-0 and EN60079-11

Protection Class: Exia IIC T6, ATEX approved for ambient temperatures -40 °C to + 50 °C

Maximum valve media temperature of 70 °C

Certificate No: PTB 02 ATEX 2154

Weatherproof to IP65

### Technical Specification

Winding insulation: Class F

Rated Voltage: 24 VDC with typical 300 ohm zener barrier

Max Power Consumption: Exia 1.6 watts DC

Material: Thermoset resin

Electrical Entry: PG9 via Din Plug Connector  
Din 43650-A

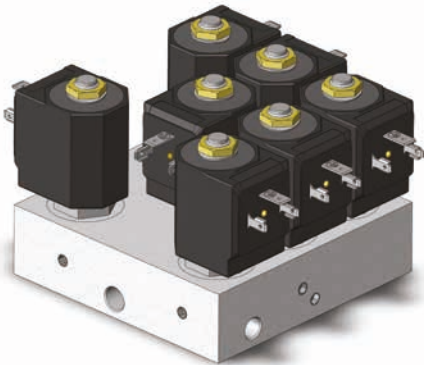
**Applicable to the following types:  
UNIVERSAL NAMUR**

## Customised Products

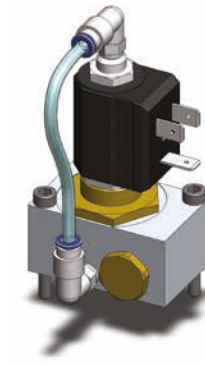
Rotork is constantly evolving and developing new products, enabling us to remain competitive in an ever-changing market and keeping at the forefront of technological advances. For many years Rotork has operated in the most diverse industrial sectors and therefore acquired vast experience with a multitude of specialist applications. Our experience enables us to understand, design and manufacture to our customers' specific requirements.

We can develop new customised solenoid valve solutions according to the customers' technical requirements and needs, concentrating on increasing functionality, optimising space and reducing costs of existing systems.

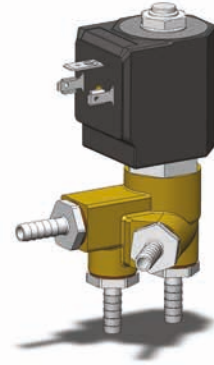
Please find below some examples:



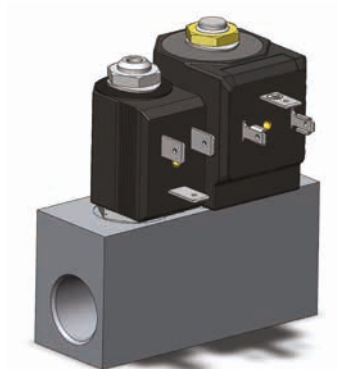
**CAR AIR CONDITIONING REFILLER**



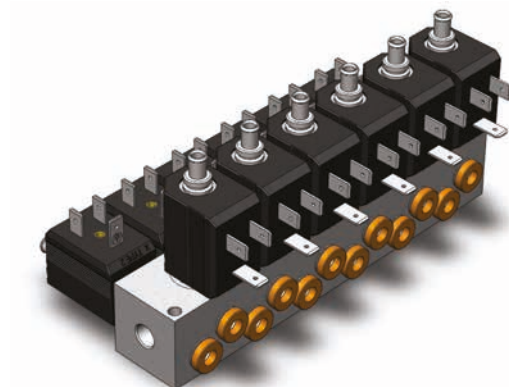
**COMPRESSED AIR TREATMENT**



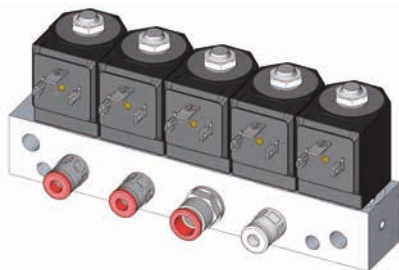
**STERILIZERS**



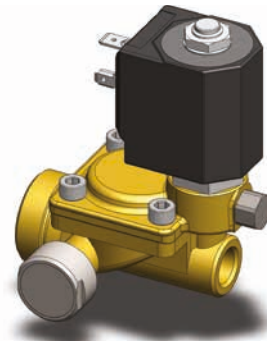
**PACKAGING WITH  
VACUUM SYSTEMS FOR INDUSTRY**



**INDUSTRIAL AUTOMATION**



**COOLING SYSTEM**



**FIREFIGHTING SYSTEMS**



## Technical Information

**The following points should be considered to ensure a correct choice of valve:**

### Connections and Nominal Diameters

Threaded connections are either "G"- inches (ISO 228) or metric. Nominal diameters (DN) are expressed in millimetres and correspond to the diameter of the valve's main orifice.

### Performances (OPD)

Pressure values shown in this catalogue are the maximum values expressed in relative bar with no pressure at outlet.

For 3/2 way solenoid valves the pressure range can vary when used in other functions or systems.

The maximum pressure (PN) that the valve can tolerate is tested to 1.5 times the maximum value of the operating pressure differential (OPD).

### Pressure (units of measurement)

The SI unit of pressure is the pascal (Pa), defined as 1 newton of force per square metre (1 N/m<sup>2</sup>).

As Pa is such a small unit, the kPa (1 kilonewton/m<sup>2</sup>) or MPa (1 Meganewton/m<sup>2</sup>) tend to be more appropriate to fluid engineering.

However, the most popular metric unit used to measure the pressure in fluid engineering field is the bar, which is equal to 105 N/m<sup>2</sup>, and approximates to 1 atmosphere. This unit is used throughout this publication.

Other units often used include lb/in<sup>2</sup> (PSI), kg/cm<sup>2</sup>, atm in H<sub>2</sub>O (atmosphere) and mm Hg. Conversion factors are readily available from many sources.

#### Absolute pressure (bar a)

This is the pressure measured from the datum of a perfect vacuum: i.e. a perfect vacuum has a pressure of 0 bar a.

#### Gauge pressure (bar g)

This is the pressure measured from the datum of the atmospheric pressure. Although, in reality, the atmospheric pressure will depend upon the climate and the height above sea level, a generally accepted value of 1.013 bar a (1 atm) is often used. This is the average pressure exerted by the air of the earth's atmosphere at sea level.

Gauge pressure = Absolute pressure - Atmospheric pressure

Pressure above atmospheric will always yield a positive gauge pressure. Conversely a vacuum or negative pressure is the pressure below that of the atmosphere. A pressure of -1 bar g corresponds closely to a perfect vacuum.

### Differential pressure

This is simply the difference between two pressures. When specifying a differential pressure, it is not necessary to use the suffixes 'g' or 'a' to denote either gauge pressure or absolute pressure respectively, as the pressure datum point becomes irrelevant. Therefore the difference between two

pressures will have the same value whether these pressures are measured in gauge pressure or absolute pressure, as long as the two pressures are measured from the same datum.

### Flow

The flow is the quantity of fluid that passes through the valve's main orifice which has the nominal diameter (DN) shown in the tables.

The flow is given with a constant Kv value (according to VDI/VDE 2173) that shows how many cubic meters of water, at a temperature of 20 °C, flow through the valve in one hour with a pressure difference of one bar across the valve.

To determine the flow at higher pressures, multiply the Kv value by the square root of the differential pressure. Flow values shown in the selection tables are subject to a tolerance of  $\pm 15\%$ .

### Viscosity

Viscosity of a fluid (liquid or gas) is its resistance to flow freely in a duct.

This phenomenon is also called internal friction and depends on existing cohesion forces among the fluid molecules. The viscosity of liquids decreases as the temperature rises; the viscosity of gases grows if the volume does not change.

According to the International System of Units (SI), the physical quantities are: force **F**  $\Rightarrow$  in Newton **N**, distance **h**  $\Rightarrow$  in meters **m**, area **A**  $\Rightarrow$  in square meters **m<sup>2</sup>**, speed **u**  $\Rightarrow$  in meters per second **m/s**, the unit of measurement of the **dynamic viscosity** is Pascal per second (Pa•s) or Newton multiplied by second per square meter (N•s/m<sup>2</sup>).

Dividing the dynamic viscosity of the liquid by its density, you can obtain the **kinematic viscosity**. Its unit of measurement is expressed in square meter per second (m<sup>2</sup>/s). Since the given numerical values are too small, the most common used unit is 10.000 times smaller: the stokes (stox) **St**,

$$1 \text{ St} = 1 \cdot 10^{-4} \text{ m}^2/\text{s} \text{ or } 10.000 \text{ St} = 1 \text{ m}^2/\text{s}$$

as well as the additional unit centistokes **cSt**

$$1 \text{ cSt} = 1 \cdot 10^{-2} \text{ St}$$

### Coil power supply

It is important that the exact voltage and frequency of the coil is used for the valve to operate correctly. Provided the coil is fitted correctly on the operator and that the armature is not obstructed, the valve can be operated for an indefinite time within the temperature limitations indicated. All solenoid valves have a copper shading ring to reduce vibrations caused by alternating currents. **Remark: The same valve fitted with coils of different power may have different pressure ratings than standard combinations indicated in each datasheet in this catalogue.**

### Media and Ambient Temperatures

Temperature limits for the media in the datasheets and should be used as a guide to valve selection. Normally the maximum ambient temperature can reach +50 °C for

solenoid valves with coils in class "F", +70 °C for class "H". For applications outside these limits please contact our Technical Department.

### General purpose solenoid valves

Solenoid valves shown in this catalogue, either normally open or normally closed, are intended to control the flow of fluids and cannot be used as safety valves.

## Valve Installation

**To ensure proper valve function please observe following instructions:**

### Water hammer or fluid hammer

Water hammer (or, more generally, fluid hammer) is a pressure surge or wave resulting when a fluid (usually a liquid but sometimes also a gas) in motion is forced to stop or change direction suddenly (momentum change).

Water hammer commonly occurs when a valve is closed suddenly at an end of a pipeline system, and a pressure wave propagates in the pipe. It may also be known as hydraulic shock.

**When using liquid fluids water-hammer can occur at pressure of 6 relative bar or higher.**

This pressure wave can cause major problems, from noise and vibration to pipe collapse. It is possible to reduce the effects of the water hammer pulses with accumulators and other features.

Mitigating measures:

– **Air vessels** typically have an air cushion above the fluid level, which may be regulated or separated by a bladder. Sizes of air vessels may be up to hundreds of cubic meters on large pipelines. They come in many shapes, sizes and configurations. Such vessels often are called accumulators or expansion tanks.

– **Water Hammer Arrestors** are hydropneumatic devices similar to shock absorbers that can be installed between the water pipe and the machine to absorb the shock and stop the banging.

### Safety

This product is not a safety device and must not be used as sole device to prevent the over-pressure of some parts of the plant or the containment of dangerous fluids.

Always connect the coil's earth terminal to ground to ensure the safety of the user and installation. The coil provides the basic insulation only. Install the product in a protected place to prevent electric shocks.

The coil should not be energized if it is not fitted onto a valve or without a plunger inside the valve, as it would overheat and get damaged. Do not touch the energized coil: risk of high temperature.

Do not use the tubes for conveying fluid to ground electrical devices.

Before disconnecting or disassembling the valve, make sure that there is no pressure inside the tubing or the valve itself. Accidental shocks due to fall or collision may damage the operator and/or the integrity of the coil encapsulation thus causing malfunctions such as loss of insulation, seizure of the moving parts and overheating.

### Installation

Check for the operating conditions on product label and on the technical documents.

Check for compatibility between medium and valve materials. In case of doubt, please contact the manufacturer.

Keep the valve operator in a vertical position, facing upwards. This prevents limescale or dirt particles in the operator tube which could restrict the armature or create excessive noise whilst operating.

Whilst tightening or unscrewing the valve must be held or revolved only and exclusively by the hexagon or the frame set (in order to avoid damage to its components such as coil, armature tube, etc.).

The recommended **tightening torque of the coil nut is 0.5 Nm maximum**, a higher torque may cause damage to the valve armature tube.

The recommended **tightening torque of the connector screw is 0.5 Nm maximum**, a higher torque may cause an excessive yield stress with consequent damages to the coil rivet and/or plastic encapsulation.

### Connections

To ensure that the solenoid valve works properly, do not connect to pipework with an internal diameter less than the nominal diameter (DN) of the valve. Clean all pipework before connection to the solenoid valve: care should be taken to prevent foreign bodies – dirt or material chips – from entering the valve during the assembly phase.

Use suitable seal material on the valve threads. Where liquid sealants are used, it is important to prevent them from entering the valve and block the movement.

### Flow Direction

Respect the direction of flow across the valve, shown with an arrow or by numbers on the valve body, depending on the model type.

### Filtration

If the fluid contains dirt particles it is necessary to install a filter upstream of the solenoid valve. Dirt is the most frequent cause of malfunction.

### Environment

Coils fitted with suitable connectors have a protection class of IP65. However, it is advisable not to use the solenoid valve outside or in very damp conditions without adequate protection. Provide sufficient ventilation for the solenoid valve. **During continuous service the coil of the solenoid valve becomes hot and should not be touched.**

## Sealing Solutions

### **NBR (BunaN)**

Trade Names:

Chemigum Hycar (Zeo (Goodyear)n Chemical), Ny Syn (Copolymer), Paracril (Uniroyal), Krynac (Polysar), PerNitrilen (Mobay)

This is the most widely used O-Ring elastomer. It has excellent resistance to petroleum products. Excellent compression set, tear and abrasion resistance. Suitable for air, oil, water, acetylene, kerosene, lime solutions, liquefied petroleum gases and turpentine.

- NBR/ BunaN is Alcon's preferred sealing solution unless otherwise stated.
- Please note NBR (BunaN) is not recommended for highly aromatic petroleum / gasoline's or acids.

### **EPDM (EPR or EPDM) EPDM (EPR)**

Excellent resistance to weathering and ozone, water and steam, with good performance in castor and some phosphate ester based fluids and poor on petroleum/gasoline. It's low and high temperature capabilities are good, having excellent resistance to set with good resilience, this low compression set provides a suitable solution for steam sealing. EPDM is suitable for temperatures above the NBR range. Ethylene-propylene is generally suitable for most photographic solutions as well as numerous chemical solutions. EPDM has served to replace the formerly used butyl.

- Please note EPDM should NEVER be used in contact with mineral based fluids or DI ester based lubricants, due to excessive swell and deterioration. When lubrication is required silicone grease or fluids should be used.

### **FKM (FPM FLUORELASTOMER)**

It has high temperature capabilities, excellent resistance to hydraulic oils, petrol and many other chemicals. FKM O-Rings are used in automobile and other mechanical devices requiring maximum resistance to elevated temperature and to many functional fluids. FKM is a fluorocarbon elastomer. Primarily developed for handling hydrocarbons such as jet fuels, gasoline's, solvent, etc., which normally caused detrimental swelling to NBR. FKM has a high temperature range similar to ethylene propylene but is more resistant to "dry heat". FKM has a rather wide range of chemical compatibility.

### **\*PTFE / Teflon®**

PTFE is a fluorocarbon resin known as a disc sealing material solution where all other synthetic materials have failed. Rulon is a form of Teflon® having fillers which have been added for improved mechanical properties. Teflon® with fillers is considered more of a plastic than a resilient-type material. They are virtually unattacked by any fluid. PTFE provides sealing solutions for cryogenic and steam applications.

\*Teflon® is a registered trademark of Du-Pont. It must be noted that PTFE sealing will allow slight let-by.

### **Silicone**

This elastomer provides high and low temperature solutions under certain conditions for numerous applications (it must be noted that silicone is not suitable for steam applications). It can handle hydrogen peroxide and some acid solutions. Silicone's retention of properties at high temperatures is superior to other elastic materials.

It must be noted that Silicone has poor tensile strength, tear resistance and abrasion resistance.

### **Neoprene**

Neoprene is commonly used for refrigeration systems sealing as an external seal. Suitable for alcohol, mild acids, water, air, ammonia, argon gas and other gases.

### **Sigodur (filled PTFE) & Ruby**

Stiff materials particularly suitable for heavy duty applications.

### **KALREZ® Spectrum™ 6375**

KALREZ® Spectrum™ 6375 is a compound specifically designed for the chemical process industry. This compound has excellent broad chemical resistance, good mechanical properties, and outstanding hot-air aging properties. Kalrez® 6375 is well suited for use in mixed process streams because of its excellent resistance to acids, bases and amines. It is also recommended for use in hot water, steam, pure ethylene oxide and propylene oxide.

# Metals

## Ag (silver)

Silver is a soft, malleable metal with a characteristic sheen. It has the highest thermal and electrical conductivity of all metals. Alcon provide shading coil material for stainless steel valves in silver.

## Al (aluminium)

Derived from the Latin ALUMEN for ALUM (Potassium aluminium sulphate). A lightweight material that offers high strength and rigidity along with good corrosion resistance and heat dissipation. Alcon provide die-cast bodies, solenoid enclosures and shading coils made from aluminium.

## Cu (copper)

Copper is an important engineering material since it is widely used in its pure state and also in alloys with other metals. In its pure state it is the most important material in the electrical industry. It has high electrical conductivity and corrosion resistance and is easy to fabricate. It has reasonable tensile strength, controllable annealing properties and general soldering and joining characteristics. Alcon provide as standard shading rings produced from Copper.

## CU Sn (bronze)

Bronze alloys consist of copper and tin primarily and these can be known as "tin bronzes". Since phosphorus is usually added to these alloys as a deoxidising agent during casting, the tin bronzes are commercially known as "phosphor bronzes". These alloys possess desirable properties such as high strength, wear resistance, and good sea water resistance. Alcon provide bodies from bronze.

## Cu Zu (brass)

Brass is probably the best known of the "yellow metals" and it is produced in a wide variety of forms with many different characteristics and attributes. It is a basic alloy of copper and zinc and it finds many engineering applications. Alcon provide forged bodies from brass this forging brass has a composition of 58% copper, 2% lead and 40% zinc.

## Fe CrNi 300 Series Stainless Steel (18-8) Austenitic

303 Stainless Steel is essentially low-carbon steel to which chromium has been added. It is the addition of chromium, in amounts of 18%, that adds strength and gives stainless steel its unique 'stainless', corrosion-resisting properties. The corrosion resistance, as well as other useful properties of the steel, is enhanced by the addition of other elements such as 8% nickel. Alcon provide flange tubes, bodies & springs in 300 series stainless steel.

## 316 Stainless Steel

316 Stainless Steel is essentially low-carbon steel to which chromium has been added. It is the addition of chromium, in amounts of 18%, that adds strength and gives stainless steel its unique 'stainless', corrosion-resisting properties. The corrosion resistance, as well as other useful properties of the steel, is enhanced by the addition of other elements such as 12% nickel. Alcon provide valve bodies flange tubes and coil enclosures in 316 series stainless steel.

## 430F & 430FR Magnetic Stainless Steel

Type 430F is a solenoid grade stainless steel that has the best magnetic properties and lowest residual magnetism. Type 430FR stainless, used for corrosive service for many years, also offers improved wear resistance, higher electrical resistivity and increased hardness. Alcon's plunger and top stop materials are produced using the 430F series. Basic composition 18% chromium, remainder iron.

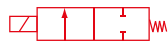
# Modes of Operation

## Valve Selection

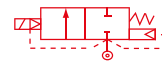
A solenoid valve should be chosen whenever the following conditions are met:

- ✓ Media without dirt particles
- ✓ Moderate flow volumes
- ✓ Average differential pressures
- ✓ High speed in operation
- ✓ Media with a viscosity not higher than 21 cST(3°E)

### 2/2 N/C Normally Closed



*Solenoid Operated  
Direct Acting*

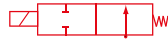


*Solenoid  
Pilot Operated*

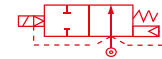
2 way, normally closed, energise to open, on/off operation (de-energise to close), with one inlet and one outlet connection. There are 2 types of valve operation – Direct Acting and Pilot Operated.

- a) Direct Acting – The coil supplies all the power to open the valve and the valve will operate from zero pressure.
- b) Pilot Operated – this can either be diaphragm or piston operated. These valves have a pilot hole which is opened/closed by the coil acting upon a plunger and diaphragm or piston used to control the main orifice. The operation relies on the media pressure difference between the inlet and outlet and a minimum operating pressure is required to operate these valves unless stated as zero.

### 2/2 N/O Normally Open



*Solenoid  
Direct Acting*



*Solenoid  
Pilot Operated*

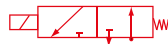
2 way, normally open, energise to close, de-energise to open, with one inlet and one outlet connection. Can be either direct acting or pilot operated.

### 3/2 N/C Normally Closed



Valve open when energised, closed when de-energised. This valve operates on the same principle as the 2/2 N/C version except the valve has 3 connections, 2 orifices, one permanently open, one permanently closed. The use of these are for operation of actuators for large valves where single cylinder spring return system is employed.

### 3/2 N/O Normally Open



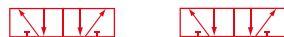
Valve open when de-energised, closed when energised.

### 3/2 UNI Universal



Valve may be used as normally closed, normally open or diversion/selector valve.

### 5/2



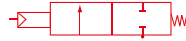
These valves are available in 2 forms;

- a) Single Solenoid – 2 position, spool and sleeve type, which is based on an air pilot return mechanism. When de-energised, the valve allows one inlet and one outlet to be connected, exhausting the other inlet/outlet connection through an exhaust port. On energisation, the action reverses.
- b) Dual Solenoid Valves – these spool and sleeve type solenoid valves are momentary contact type. When one coil is energised, one inlet is connected to one outlet, with the other inlet/outlet connection connected to an exhaust port, when the coil is de-energised and other coil energised, the action is reversed.

These valves are for use on double acting cylinder applications.

## Modes of Operation

### 2/2 N/C Normally Closed Pneumatic



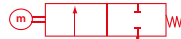
2 way, normally closed, pressurise to open, de-pressurise to close with the aid of a return spring, having one inlet and one outlet connection. Can be direct acting air operated against a return spring. Note: These valves are operated via a 3 way solenoid valve which is always required.

### 2/2 N/O Normally Open Pneumatic



2 way, normally open, pressurise to close, de-pressurise to open with the aid of a return spring, having one inlet and one outlet connection. Can be direct acting air operated against a return spring. Note: These valves are operated via a 3 way solenoid valve which is always required.

### 2/2 N/C Normally Closed Motorised



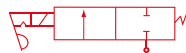
2 way, normally closed, energise to open – (slow opening) de-energise to close – (quick closing) with one inlet and one outlet connection. Motor driven against a return spring.

### 2/2 N/O Normally Open Motorised



2 way, normally open, energise to close – (slow closing) de-energise to open – (quick opening).

### 2/2 N/C Normally Closed Manual Reset (Solenoid)



These valves operate on the same principle as 2/2 N/C direct acting version except – once the coil is energised the valve will not open until manually opened by either a lever or push reset device.

### 2/2 N/C Normally Closed Manual Reset (Motorised)



The operation is similar to 2/2 N/C Normally Closed Manual Reset (Solenoid) except, once the motor is energised the valve will not open till a manual reset/relay button is operated, either remote or integral to the actuator. General use is for both manual reset or safety systems where knowledge of an electrical failure is required.

## Optional Features

### Manual Override

Normally closed direct acting and pilot operated solenoid valves (only versions specified in each datasheet) can be supplied with a manual override which allows the valve to be opened independently of electrical current.

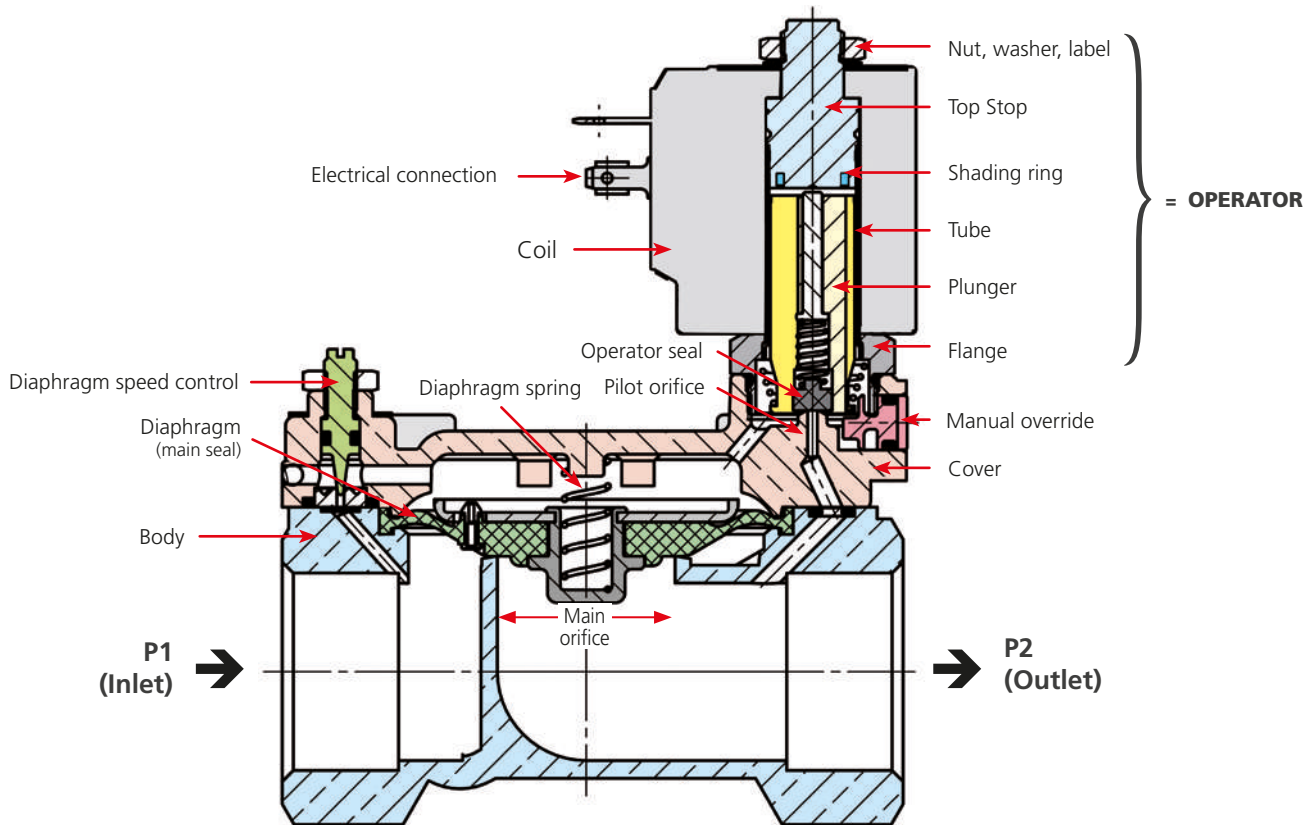
### Waterhammer Control

Pilot operated solenoid valves (only versions specified in each datasheet) can be supplied with a system that regulates the closing speed of the diaphragm in order to control waterhammer.

The seal closing speed is operated by the adjusting screw: by screwing it clockwise (in the "+" direction) when using liquid, the valve will close slower, reducing any waterhammer effect that may occur in the solenoid valve and the upstream pipes.

In the case of larger valves (1¼", 1½" and 2"), please adjust the anti-waterhammer screw to ensure that that valve closes as slowly as possible in order to avoid causing any damage that may affect the functioning of the equipment and valve due to the waterhammer effect.

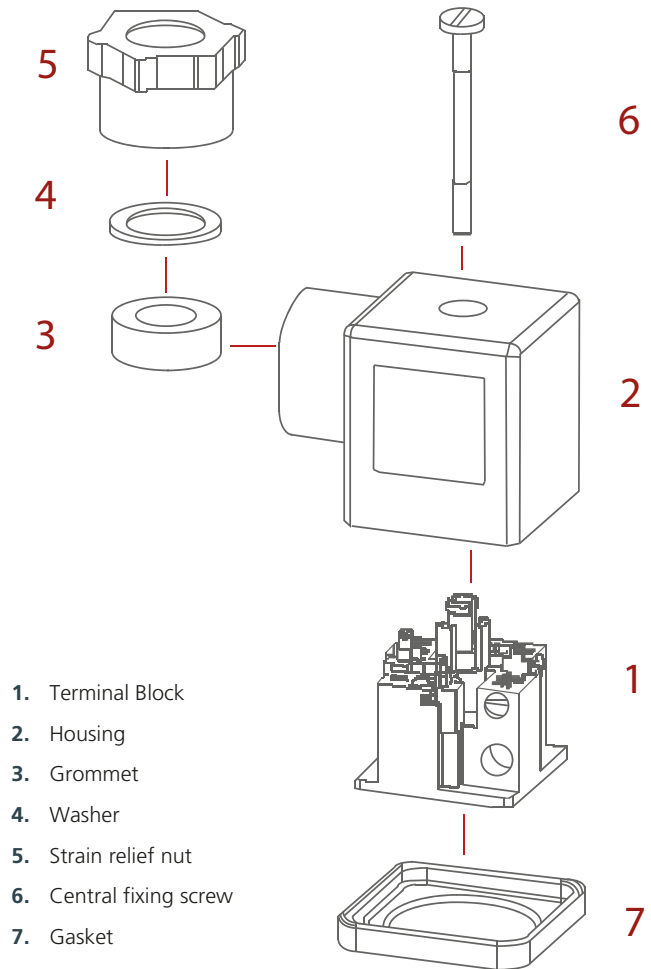
## Scheme of Components of Solenoid Valves



# Din Plug Connectors

## Features

- Dust and splash proof protected (IEC60529-IP65).
- Impact resistant plastic housing.
- Easy to install cable harness.
- Optional integrated electronic circuit, optional indicator LED with or without rectifiers etc.
- Retained central fixing screw.
- Special versions on request.





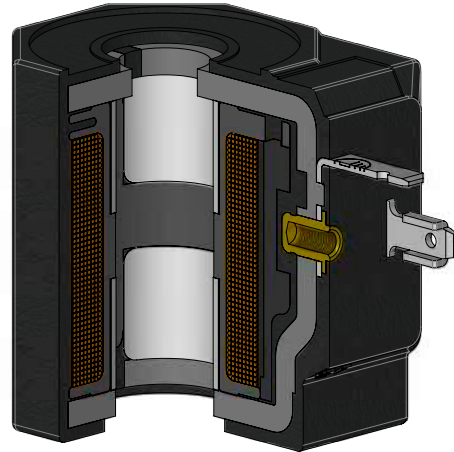
## Copper Winding Temperature Classification

Insulation systems are arranged in order of their insulation level and classified by a letter symbol or by a numerical value.

The numerical value relates to the temperature classification of the insulation system.

The temperature classification indicates the maximum (hotspot) temperature at which the insulation system can be operated for normal expected service life.

In general, all materials used in a given insulation system should be rated for temperatures equal to, or exceeding, the temperature classification of the system.



Insulation Systems*	Temperature Classification
Class A Class 105	105 °C (221 °F)
Class E** Class 120	120 °C (248 °F)
Class B Class 130	130 °C (266 °F)
Class F Class 155	155 °C (311 °F)
Class H Class 180	180 °C (356 °F)
Class N Class 200	200 °C (392 °F)

\* IEEE Std.117.

\*\* Used in European equipment.

# Protection Class, IP Ratings & Hazardous Areas

## Enclosure Protection - Non Hazardous locations, Comparison of American Nema classification & European CENELEC IP classification

Nema type & relevant tests	Description	Equivalent degree of protection
1	General purpose - indoor	IP30
2	Drip proof - indoor	IP32
3	Dust and rain tight - outdoor	IP54
3R	Rain proof - outdoor	IP54
4	Water tight and dust tight - indoor and outdoor	IP65
4X	Water tight, dust tight and corrosion resistant - indoor and outdoor	IP65
6	Submersible, water tight and dust tight - indoor and outdoor	IP67
12	Industrial use, dust tight and drip proof - indoor	IP52
13	Oil tight and dust tight - indoor	IP55

IP No.	First number - protection against solids	Second number - protection against liquids
0	No protection	No protection
1	Protected against solid objects over 50 mm Ø	Protected against vertically falling drops of water
2	Protected against solid objects over 12 mm Ø	Protected against direct sprays up to 15° from vertical
3	Protected against solid objects over 2.5 mm Ø	Protected against direct sprays up to 60° from vertical
4	Protected against solid objects over 1 mm Ø	Protected against direct sprays from all directions limited ingress permitted
5	Protected against dust - limited ingress permitted	Protected against low pressure jets from all directions limited ingress permitted
6	Totally protected against dust	Protected against strong jets from all directions limited ingress permitted
7		Protected against effects of immersion from 15 cm - 1m
8		Protected against long periods of immersion under pressure

## International Standards - Temperature classification

IEC 79-8 & CENELEC		American NEC	
Class	Max. surface temp	Class	Max. surface temp
T1	450 °C (842 °F)	T1	450 °C (842 °F)
T2	300 °C (572 °F)	T2	300 °C (572 °F)
		T2A	280 °C (536 °F)
		T2B	260 °C (500 °F)
		T2C	230 °C (446 °F)
T3	200 °C (392 °F)	T2D	215 °C (419 °F)
		T3	200 °C (392 °F)
		T3B	165 °C (329 °F)
		T3C	160 °C (320 °F)
T4	135 °C (275 °F)	T4	135 °C (275 °F)
		T4A	120 °C (248 °F)
T5	100 °C (212 °F)	T5	100 °C (212 °F)
T6	85 °C (185 °F)	T6	85 °C (185 °F)

## Zones & divisions - Define the likelihood of the hazard being present in potentially explosive concentrations

UK / CENELEC / IEC		USA & CANADA	
Hazard continuously present (>1000 hrs / year)	Zone 0	Division 1	Hazard likely to be present: N.B. where the hazard is continuously present, electrical apparatus is avoided if possible.
Hazard likely to be present	Zone 1		
Hazard unlikely to be present: typically only for short periods or under fault conditions (<10 Hrs/year)	Zone 2	Division 2	Hazard unlikely to be present - likely to be confined. An area adjacent to a Division 1 area.  Fully described in Article 500 of the National Electrical Code.
Fully defined in BS5345 and IEC 79-10 (Guideline figures)			

# Conversions

## Capacity & flow rate

Multiply number of	by	to obtain	m <sup>3</sup> /h	l/s	l/m	m <sup>3</sup> /s (cumeç)	UK gpm	US gpm	ft <sup>3</sup> /s (cusec)	Water	
										UK ton/h	tonne/h
1 m <sup>3</sup> /h			1	0.278	16.66	0.000278	3.666	4.4	0.00981	0.982	1
1 l/s			3.6	1	60	0.001	13.2	15.83	0.00353	3.528	3.6
1 l/m			0.06	0.0167	1	1.66 x 10 <sup>-5</sup>	0.2199	0.264	0.000588	0.059	0.06
1 m <sup>3</sup> /s			3600	1000	60,000	1	13,200	15,800	35,315	3532	3600
1 UK gpm			0.272	0.0757	4.546	0.000757	1	1.2	0.002267	0.268	0.272
1 US gpm			0.227	0.0632	3.785	0.000063	0.833	1	0.00223	0.223	0.227
1 ft <sup>3</sup> /s			101.9	28.32	1698	0.0283	374	449	1	100	101.9
1 UK ton/h			1.02	0.283	17	0.000283	3.73	4.48	0.01	1	1.02
1 tonne/h			1.005	0.278	16.7	0.000278	3.666	4.41	0.0098	0.98	1

## Volumetric rate of flow

Multiply number of	by	to obtain	Litres per sec	Litres per minute	Cubic metres per hour	Cubic Ft per hour	Cubic Ft per min	Imperial Gallons per min	U.S. Gallons per min	U.S. Barrels per day
Litres per sec			1	60	3.6	127.1	21.19	13.2	15.85	543.4
Litres per min			0.1667	1	0.06	2.119	0.03532	0.22	0.2642	9.057
Cubic metres per hour			0.2778	16.67	1	35.31	0.5886	3.666	4.403	150.9
Cubic Feet per hour			0.007865	0.4719	0.02832	1	0.01667	0.1038	0.1247	4.275
Cubic Feet per min			0.4719	28.32	1.6999	60	1	6.229	7.481	256.5
Imperial Gallons per min			0.07577	4.546	0.2727	9.633	0.1606	1	1.201	41.17
U.S. Gallons per min			0.06309	3.785	0.2271	8.021	0.1337	0.8327	1	34.29
U.S. Barrels per day			0.00184	0.1104	0.0006624	0.2339	0.0003899	0.02428	0.02917	1

1 MGD = 189.4 m<sup>3</sup>/h 1 scfm = 1.699 Nm<sup>3</sup>/h

## Temperature

To convert from	To Fahrenheit	To Celcius	To Kelvin
Fahrenheit (F)	F	(F-32) * 5/9	(F-32) * 5/9 + 273.15
Celcius (C)	(C*9/5) + 32	C	C + 273.16
Kelvin (K)	(K - 273.15) * 9/5 + 32	K - 273.15	K

## Pressure

Multiply number of	by	to obtain	bar	Psi (lbf/in <sup>2</sup> )	Cm water (39.2 °F, 4 °C)	Inch of water (39.2 °F, 4 °C)	Foot of water (39.2 °F, 4 °C)	Kilopascal (kPa)
Bar			1	14.503 77	1019.74	401.474	33.456 2	100
Psi (lbf/in <sup>2</sup> )			0.068 947 57	1	70.308 9	27.680 7	2.306 73	6.894 757
Cm water (39.2 °F, 4 °C)			0.000 980 638	0.014 223 0	1	0.393 701	0.032 808 4	0.098 063 8
Inch of water (39.2 °F, 4 °C)			0.002 490 82	0.036 123 3	2.54	1	0.083 333 4	0.249 082
Foot of water (39.2 °F, 4 °C)			0.029 889 8	0.433 515	30.48	12.021 3	1	2988 98
Kilopascal (kPa)			0.01	0.145 037 7	10.197 4	4.014 74	0.334 562	1

# Corrosion Reference Guide

This chart is for general recommendation only. When ordering valves for corrosive duty application details are to be given, particularly media, % concentration, temperature and ambient temperature. For additional support please contact us.

Material	Valve Body					Seals				Notes
	Alum	Brass	Brz	CI	Stainless	NBR	EPDM	FKM	PTFE	
Acetic Acid 10%	NR	NR	NR	NR	•	NR	•	NR	•	1
Acetone	•	•	•	•	•	NR	•	NR	•	
Acetylene	NR	•	•	NR	•	NR	•	•	•	1
Air	•	•	•	•	•	•	•	•	•	
Ammonia Gas Anhydrous 20%	NR	NR	NR	•	•	NR	•	NR	•	
Argon Gas	•	•	•	NR	•	NR	•	•	•	
Beer	NR	NR	NR	NR	•	•	•	•	NR	
Benzene	•	•	•	NR	•	NR	NR	•	•	
Bromine (Liquid)	NR	NR	NR	NR	NR	NR	NR	•	NR	1
Butane	•	•	•	•	•	•	NR	•	•	
Carbon Dioxide (Gas)	•	•	•	•	•	•	•	•	•	
Carbon Dioxide (Liquid)	NR	NR	NR	NR	•	NR	NR	NR	•	
Carbon Tetrachloride (Dry)	NR	•	•	NR	•	NR	NR	•	•	
Carbonated Water	NR	NR	NR	NR	•	•	•	NR	•	
Caustic Soda 30%	NR	NR	NR	NR	•	NR	•	NR	•	
Chrome Acid 20% - 20C	NR	NR	NR	NR	•	NR	NR	•	•	
Chlorine Gas (Dry)	NR	NR	NR	NR	NR	NR	NR	•	•	1
Chlorine Liquid	NR	NR	NR	NR	NR	NR	NR	•	•	1
Chlorine in Water	NR	•	•	NR	•	•	•	NR	•	2
Coke Oven Gas	•	NR	NR	•	•	•	NR	NR	•	
Coolant	NR	•	•	NR	•	•	NR	•	•	
Creosote	•	NR	NR	NR	•	NR	NR	•	•	
Crude Oil	•	NR	NR	NR	•	•	NR	•	•	
De-ionized Water	NR	NR	NR	NR	•	•	•	•	•	
De-mineralised Water	NR	NR	NR	NR	•	•	•	•	•	
Detergents	NR	•	•	NR	•	•	•	•	•	
Diesel Oil	•	•	•	•	•	•	NR	•	•	
Distilled Water	NR	•	•	NR	•	•	•	•	•	
Ethyl Alcohol	NR	•	•	NR	•	•	•	•	•	
Ethylene Glycol	•	•	•	NR	•	•	•	•	•	
Ethylene Oxide	NR	NR	NR	NR	•	NR	NR	NR	NR	1
Food Products	NR	NR	NR	NR	•	•	NR	•	NR	
Freon 12	NR	•	•	•	•	NR	NR	NR	•	
Freon 22	NR	NR	NR	NR	•	NR	NR	NR	•	
Freon Solvents	NR	•	•	NR	•	•	NR	NR	•	
Fuel Oil	•	•	•	NR	•	•	NR	•	•	
Gasoline	NR	•	•	NR	•	NR	NR	•	•	
Helium	•	•	•	NR	•	•	•	•	•	
Hydraulic Fluids	NR	•	•	NR	•	NR	NR	•	•	
Hydrochloric Acid	NR	NR	NR	NR	NR	NR	NR	NR	•	1
Hydrogen Gas	•	•	•	•	•	•	•	•	•	3
Hydrogen Sulphide (dry)	NR	NR	NR	NR	•	NR	•	•	•	
Jet Fuel	•	NR	NR	NR	•	•	NR	•	•	
Kerosene	•	•	•	•	•	•	NR	•	•	

**Notes:**

1. Non-standard materials of construction are required.
2. Chlorine must not exceed 5 parts per million.

3. We are required to provide industry standard degreasing, cleaning and individual packaging with appropriate label.

• = Recommended  
NR = Not Recommended

# Corrosion Reference Guide

This chart is for general recommendation only. When ordering valves for corrosive duty application details are to be given, particularly media, % concentration, temperature and ambient temperature. For additional support please contact us.

Material	Valve Body					Seals				Notes
	Alum	Brass	Brz	CI	Stainless	NBR	EPDM	FKM	PTFE	
LPG	•	•	•	NR	•	•	NR	•	•	
Lubricating Oil	•	•	•	•	•	NR	•	•	•	
Methane Gas	•	•	•	•	•	•	NR	•	•	
Methyl Alcohol	NR	•	•	•	•	•	•	•	•	
Mineral Oil	•	•	•	•	•	•	NR	•	•	
Natural Gas	•	•	•	•	•	•	•	•	•	
Natural Gas Liquid	NR	•	•	NR	•	NR	NR	NR	•	3
Nitric Acid 50% 20C	NR	NR	NR	NR	•	NR	NR	•	•	
Nitrogen gas	•	•	•	•	•	•	•	•	•	
Nitrogen Liquid	NR	•	•	NR	•	NR	NR	NR	•	3
Nitrous Oxide	NR	NR	NR	NR	•	NR	•	NR	•	
Oxygen Gas	NR	•	•	NR	•	NR	NR	•	•	3
Oxygen Liquid	•	•	•	NR	•	NR	NR	NR	•	3
Paraffin	•	•	•	NR	•	•	•	•	•	
Perchlrenthylene 20C	NR	•	•	NR	•	NR	NR	•	•	
Phosperic Acid 30%	NR	NR	NR	•	NR	NR	•	•	•	1
Photographic solution	NR	NR	NR	NR	NR	NR	NR	NR	•	1
Potable water	NR	•	•	NR	•	•	•	•	•	
Potassium Sulphate	NR	NR	NR	•	•	•	•	•	•	
Propane	•	•	•	NR	•	•	NR	•	•	
Salt Water	NR	NR	•	NR	•	•	•	•	•	1
Sea Water	NR	NR	•	NR	•	•	•	•	•	1
Soapy Water	NR	•	•	NR	•	•	NR	•	•	
Sodium Hydroxide 70%	NR	NR	NR	NR	•	NR	•	•	•	
Sodium Hypochorite 5%	NR	NR	NR	NR	•	NR	•	•	•	
Steam 0 - 50 psi	NR	•	•	NR	•	NR	•	NR	•	
Steam 0 - 125 psi	NR	•	•	NR	•	NR	NR	NR	•	
Steam Condensate	NR	•	•	NR	•	NR	•	NR	•	
Sulphur Dioxide	NR	NR	NR	NR	•	NR	•	NR	•	
Sulphuric Acid 40%	NR	NR	NR	NR	NR	•	•	•	•	1
Sulphurous Acid 5% - 20C	NR	NR	NR	NR	NR	NR	NR	•	•	1
Toluene	•	•	•	NR	•	NR	NR	NR	•	
Town Gas	•	•	•	•	•	•	NR	•	•	
Trichlorethylene (Dry)	NR	NR	NR	NR	•	NR	NR	•	•	
Turpentine	•	•	•	NR	•	•	NR	•	•	
Vegetable Oil	NR	NR	NR	NR	•	•	NR	•	•	
Vinegar	NR	NR	NR	NR	•	NR	•	NR	•	1
Water (mains)	NR	•	•	•	•	•	•	•	•	
Water 80 - 120 °C	NR	•	•	NR	•	NR	•	•	•	
Water 120 - 150 °C	NR	•	•	NR	•	NR	NR	•	•	
Water 150 - 180 °C	NR	•	•	NR	•	NR	NR	NR	•	
Water boiler feed	NR	NR	NR	NR	•	•	•	NR	•	
Water/Glycol Solutions	NR	•	•	NR	•	NR	•	•	•	
White Spirit	•	•	•	•	•	NR	NR	•	•	

**Notes:**

1. Non-standard materials of construction are required.
2. Chlorine must not exceed 5 parts per million.
3. We are required to provide industry standard degreasing, cleaning and individual packaging with appropriate label.

• = Recommended  
NR = Not Recommended

## Viscosity Reference Guide

Redwood 1 (Seconds)	Redwood 11 (Seconds)	Saybolt Universal SSU (Seconds)	Saybolt Fural (Seconds)	Engler (Degrees)	Kinematic (Centistokes)
30	-	-	-	1.05	1.5
32	-	34	-	1.15	2.5
34	-	37	-	1.25	3.4
36	-	40	-	1.3	4.2
38	-	42	-	1.4	5
40	-	45	-	1.45	5.7
45	-	50	-	1.6	7.5
50	-	57	-	1.8	9.4
55	-	62	-	1.9	11
60	-	68	-	2.1	12.6
65	-	74	-	2.2	14.2
70	-	79	-	2.4	15.5
75	-	85	-	2.6	17
80	-	92	-	2.7	18.6
85	-	98	-	2.9	20
90	-	103	-	3	21.3
95	-	109	-	3.2	22.8
100	-	115	15	3.4	24.1
110	-	125	16	3.7	26.7
120	-	137	17	4	29.2
130	-	148	18	4.3	31.7
140	-	160	20	4.6	34.2
150	-	171	21	4.9	36.8
160	-	183	22	5.2	39
180	-	205	24	5.9	44
200	-	228	26	6.5	49
225	-	256	28	7.3	55
250	-	285	31	8.1	62
275	-	313	34	8.9	68
300	-	342	37	9.8	74
325	34	370	40	10.6	80
350	36	399	42	11.4	86
375	38	428	45	12.2	93
400	41	456	48	13	99
450	46	513	53	14.7	111
500	51	570	59	16.3	124
550	56	628	65	17.9	136
600	61	684	71	19.5	148
700	71	799	82	22.8	173
800	81	912	94	26.1	198
900	91	1025	105	29.3	222
1000	100	1142	117	32.6	247
1100	110	1257	128	35.9	272
1200	120	1368	140	39	296
1400	140	1599	163	46	346
1600	160	1825	186	52	395
1800	180	2050	209	59	444
2000	200	2280	232	65	493
2200	220	2510	255	72	534
2400	240	2735	278	78	592
2600	260	2965	302	85	642
2800	280	3190	325	91	691
3000	300	3420	348	98	741
3500	350	3990	406	114	864
4000	400	4560	464	130	987
4500	450	5140	522	147	1112
5000	500	5700	580	163	1235
5500	550	6280	639	179	1359
6000	600	6840	696	195	1482
6500	650	7415	754	212	1605
7000	700	7990	814	228	1730
7500	750	8550	869	244	1850
8000	800	9120	928	261	1957

# Quality Standards

Rotork has a management system certified to ISO 9001, ISO 14001 & OHSAS 18001.

## Certifications and approvals



The Ex mark signifies that a product complies with the ATEX Directive 94/9/EC (applicable from 20<sup>th</sup> April 2016 but already implemented by Directive 2014/34/EU, effective from 18<sup>th</sup> April 2014).

The ATEX Directive sets the safety requirements of protection equipment and systems to be used in an environment with a potentially explosive atmosphere.

The Ex mark on a product enables its free movement within the European market (EEA).



Underwriters  
Laboratories  
Quality Certificate

The UL Listing mark on a product signifies that the product meets UL's Standards for Safety. The UL Listing mark appears on products and components suitable for factory and field installation.

All of the products carrying a UL Listing mark are covered by UL's Follow-up services program to verify that the products continue to be manufactured in compliance with UL's Safety Requirements.

We manufacture and resell valve coils and timers complying with UL 429 and 746C.

The cURus Listing mark on the products indicates that the compliance is accepted both in USA and Canada.

## RoHS

The Restriction of Hazardous Substances Directive (RoHS) 2011/65/EU regards the restriction of the use of Lead (Pb), Cadmium (Cd), Mercury (Hg), Hexavalent chromium (Cr6+), Polybrominated biphenyls (PBB) and Polybrominated diphenyl ether (PBDE) in electrical and electronic equipment sold in the European Union.

RoHS is meant to prevent the release of these substances into the environment and protect the human, animal and environmental health, especially during the waste treatment. The CE mark on a product guarantees the compliance with the RoHS Directive.



European  
Community  
Conformity

The CE marking was introduced in 1993 upon establishment of the European Economic Area. It regulates the entire life cycle of a product: design, manufacturing, placing on the market, disposal and enables its free movement within the European market (EEA).

CE marking signifies that the product conforms with the essential applicable EC requirements, such as safety, public health, consumer protection, and gives the product the presumption of conformity.

By affixing the CE mark on a product, manufacturers and importers are declaring, at their sole responsibility, conformity with all of the legal requirements of the Directive. EC directives that apply to our products are:

Machinery directive

EMC Directive

Low Voltage Directive (2006/95/EC)

The directive 97/23/EC concerns safety of pressure bearing equipment

The directive 2011/65/EU (RoHS) limits the use of dangerous substances in electrical and electronic equipment

## Miscellaneous

Upon request (to be specified at the time of the Purchase Order) we can provide the following inspection documents, which are also related to requirements of the PED Directive 2014/68/EC as additional evidence of the technical requirements of supplies:

For metal parts in stainless steel AISI 316L or 304L the inspection certificate 3.1 according to the standard EN 10204 (this certificate is mandatory only for products in categories above I, see PED 2014/68/EC ANNEX I, art. 4.3).

For all products the Test Report 2.2 according to the standard EN 10204, is relevant for products in category I or SEP.











Rotork Instruments Italy Srl  
24050 Orio al Serio (Bg)  
ITALY Via Portico 17  
*tel* +39 035 451161  
*fax* +39 035 531763  
*email* info.instruments-italy@rotork.com  
www.mminternational.net

Rotork Midland Ltd.  
Patrick Gregory Road  
Wolverhampton  
WV11 3DZ, UK  
*tel* +44 (0)1902 305 678  
*email* sales.midland@rotork.com

Fairchild Industrial Products Company  
3920 West Point Blvd.  
Winston-Salem  
NC 27103  
*tel* 336-659-3400  
*fax* 336-659-9323  
*email* sales@fairchildproducts.com  
www.fairchildproducts.com

Rotork Trading (Shanghai) Co. Ltd  
2/F, Unit 3  
No 159 Tianzhou Road  
Shanghai  
200 233, SH  
China  
*tel* +86 21 5445 2910  
*fax* +86 21 5445 2912

[www.rotork.com](http://www.rotork.com)

A full listing of our worldwide sales and service network is available on our website.

Rotork plc  
Brassmill Lane, Bath, UK  
*tel* +44 (0)1225 733200  
*email* mail@rotork.com

PUB124-005-00  
Issue 06/23

As part of a process of on-going product development, Rotork reserves the right to amend and change specifications without prior notice. Published data may be subject to change. For the very latest version release, visit our website at [www.rotork.com](http://www.rotork.com)

The name Rotork is a registered trademark. Rotork recognises all registered trademarks. Published and produced in the UK by Rotork. POLJB0523