

Emergency Luminaire Sheet Steel for Fluorescent Lamps Series 6018/1



E2

www.stahl.de



20075E00

- > For use in Zones 1 & 2, 21 & 22
- > Enclosure made from powder-coated sheet steel or stainless steel
- > Central lock for opening and closing the luminaire plus a safety switch that disconnects the power supply at all poles when the luminaire is opened
- > With weekly functional test and annual emergency lighting light duration test



The safety light made of 6018/1 series sheet steel is used for emergency lighting and suitable for use in spraying and painting systems. The battery powers the emergency lighting over 1.5 or 3 hours. In case of a defective lamp, the luminaire switches to the working lamp. In operation, their robust construction means that they require minimal maintenance. With the right accessories, these high-quality luminaires are easy to install in a wide variety of ways in no time at all.

Zone	ATEX / IECEx					
	0	1	2	20	21	22
For use in		x	x		x	x

WebCode 6018B

Emergency Luminaire Sheet Steel for Fluorescent Lamps

Series 6018/1

Selection Table

Version	Lamp wattage	Cable glands	Material	Art. no.	Order number	Weight kg
Sheet steel emergency luminaire for 6018/1 series fluorescent lamps, design size 2	2 x 18 W	M25	Sheet steel	267772	6018/1112-2962-1710-711	14.760
			Stainless steel	267774	6018/1112-2962-1710-714	14.883
		M20	Sheet steel	267777	6018/1112-2961-1710-711	14.760
			Stainless steel	267779	6018/1112-2961-1710-714	14.883
Sheet steel emergency luminaire for 6018/1 series fluorescent lamps, design size 4	2 x 36 W	M25	Sheet steel	267773	6018/1114-2962-1710-711	22.660
			Stainless steel	253604	6018/1114-2962-1710-714	22.869
		M20	Sheet steel	267778	6018/1114-2961-1710-711	22.660
			Stainless steel	267781	6018/1114-2961-1710-714	22.869

Explosion Protection

Global (IECEX)

Gas and dust	IECEX BVS 16.0019 Ex eb db mb IIC T4 Gb Ex tb IIIC T80 °C Db
--------------	--

Europe (ATEX)

Gas and dust	ATEX BVS 16 ATEX E 025 ⊕ II 2 G Ex eb db mb IIC T4 Gb ⊕ II 2 D Ex tb IIIC T80 °C Db
--------------	---

Certifications and certificates

Certificates	IECEX, ATEX
--------------	-------------

Technical Data

Electrical data

Control gear		6018/11...-6...-	6018/11...-7...-
Voltage		110 to 127 V AC ±10 %	220 to 240 V AC ±10 %
Frequency		50 to 60 Hz	50 to 60 Hz
Lamp standard		IEC 60081	IEC 60081
Lamp power		18 W, 36 W	18 W, 36 W
Nominal current		2 x 18 W: 180 mA 2 x 36 W: 350 mA	2 x 18 W: 180 mA 2 x 36 W: 350 mA
Power factor cos φ	≥ 0.93		
Disconnection of the light	With separate disconnect switch for lamp and battery compartments. When opening the light Power to control gear is disconnected, switching element with 2 NC contacts in positive opening operation, they can only be switched on again when the lamp cover and the central locking system are closed. In case of lamp fault: The control gear disconnects the defective lamp from the power supply.		

Luminous characteristics

Lamps	two-pin fluorescent lamps; 26 mm diameter; for holder G13 2 x 18 W; 2 x 36 W (acc. to IEC 60081)
-------	---

Ambient conditions

Ambient temperature	
Operation	-20 °C ≤ T _{amb} ≤ +50 °C
Emergency light operation	-20 °C ≤ T _{amb} ≤ +50 °C
during the charging process	-5 °C ≤ T _{amb} ≤ +50 °C

Emergency Luminaire Sheet Steel for Fluorescent Lamps

Series 6018/1



E2

Technical Data

Mechanical data

Degree of protection	IP65 IP66 for light fitting with frame IP64 with breathing gland 8162 acc. IEC 60598
Protection class	I (with internal PE connection terminal)
Material	
Enclosure	Sheet steel powder coated Stainless steel SS304 (V2A 1.4301) brushed Stainless steel SS316L (V4A 1.4404) brushed
Colour	white, similar RAL 9016
Lamp cover	Toughened glass
Seal	Silicone foam gasket in the luminaire enclosure
Luminaire locking	Central locking can be opened/closed using a socket key M5 hex socket head driver

Mounting / Installation

Cable glands	2 x M20 / M25 left 1 x M20 / M25 right 1 x cable gland 1 x cable gland + red plug 1 x stopping plug as standard There are cable entries on either side for looping through of connection cable
Connection	Standard: Spring clamp terminals 6-pole: 2 x L1, L2, L3, 2 x L', 2 x N, 2 x PE Clamping range: 0.5 to 4 mm ² (solid / stranded) Special: Screw-type terminal 6-pole: 2 x L1, L2, L3, 2 x L', 2 x N, 2 x PE Clamping range: 0.5 to 6 mm ² (solid); 0.5 to 4 mm ² (finely and extra finely stranded)
Through wiring	Standard: Luminaires without through wiring Optional: Luminaires are equipped with internal through wiring. Incoming and outgoing leads can be connected to the opposite sides. Terminals: see Technical data Standard: 4 mm ² termination with 2.5 mm ² wire for max. 16 A. Special: Dv6 to 6 mm ² termination with 2.5 mm ² wire for max. 16 A.
Assembly	The holder is optionally available with a ceiling mount. Wall mounting is also possible with a special mounting bracket.

Control gear

Emergency light mode	In emergency mode, when operated on battery only one fluorescent lamp will be driven				
Rated operating time	Battery capacity	Type	Emergency light service time	Emergency lighting power	
	7 Ah	6018/11.....-6....	1.5 h	100 %	60 %
		6018/11.....-7....	3.0 h	60 %	30 %




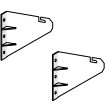
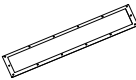
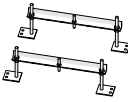
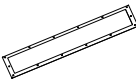

Battery set

Version	NiCd-battery
Operating voltage	6 V
Capacity	7 Ah
Full charge time	25 hours (only first time charging for the new battery) Consecutive charging time will be less than 24 hours, depending on the discharge level.
Replacing the battery set	When opening the battery enclosure, the connection between the battery set and the control gear is disconnected. The battery set can be replaced after disconnecting the plug-in contacts.

Emergency Luminaire Sheet Steel for Fluorescent Lamps

Series 6018/1

Accessories and Spare Parts

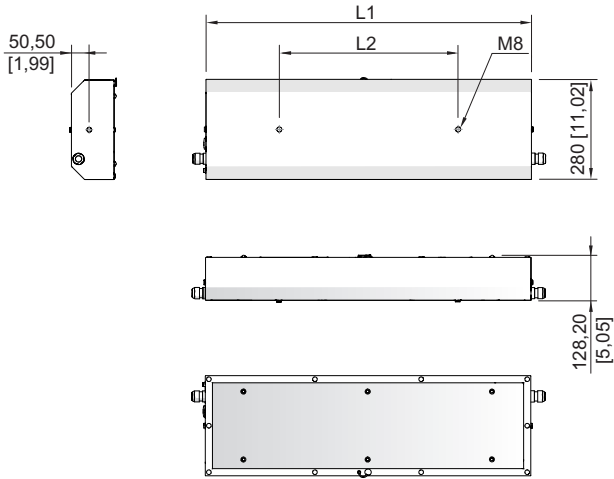
Designation	Figure	Description	Art. no.	Weight kg
Fluorescent lamps	 04936E00	18 W 1350 lm	108952	0.100
		36 W 3350 lm	108951	0.200
Breather	 05703E00	for installation in lights; in moulded material; without counter nut		
		Thread: M25 x 1.5 1 pc	138573	0.010
		Thread: M25 x 1.5 20 pcs	138576	0.200
Ring bolts	 05378E00	M8, direct mounting in insert nuts, 1 pair	115736	0.115
Wall fastening set	 18428E00	For version with 280 mm width	226700	1.733
Attaching frame	 17865E00	Attaching frame for fulfilling IP degree of protection IP66		
		Size Width Material		
		2 280 mm Sheet steel, powder-coated	245988	2.249
		2 280 mm SS316L stainless steel (V4A 1.4404)	245990	2.279
		4 280 mm Sheet steel, powder-coated	245976	3.731
		4 280 mm SS316L stainless steel (V4A 1.4404)	245978	3.781
Ceiling mounting fastening set	 18429E00	Fastening set for wall and ceiling mounting of light fitting. Material: sheet steel	230082	1.644
Mounting frame	 17865E00	Mounting frame for ceiling or wall mounting, fulfilling IP degree of protection IP66 (ceiling fastening set also required)		
		Size Width Material		
		2 280 mm Sheet steel, powder-coated	226579	3.153
		2 280 mm SS316L stainless steel (V4A 1.4404)	226581	3.203
		4 280 mm Sheet steel, powder-coated	226557	4.711
		4 280 mm SS316L stainless steel (V4A 1.4404)	226559	4.781
Battery set	 05567E00	Gas-tight NiCd battery; 7 Ah / 6 V	118013	0.500

Emergency Luminaire Sheet Steel for Fluorescent Lamps Series 6018/1



E2

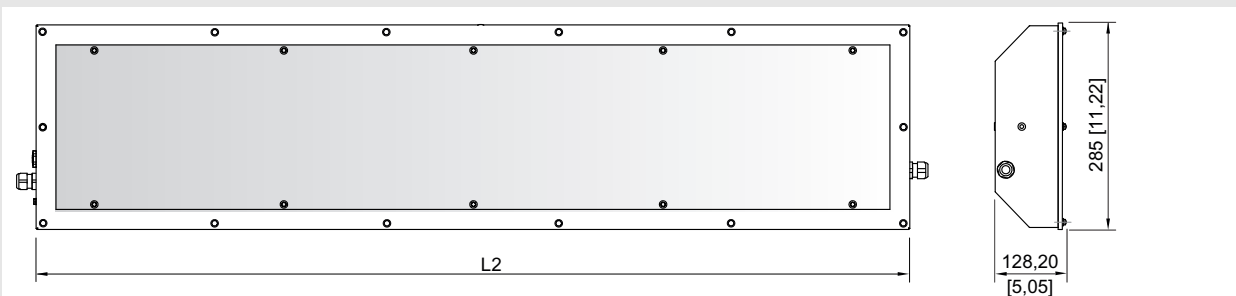
Dimensional Drawings (All Dimensions in mm [inches]) – Subject to Alterations



20128E00

Light Fitting universal for IP65

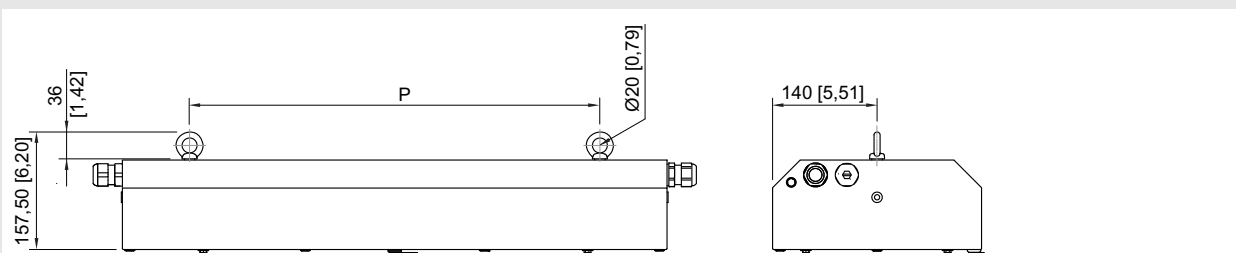
	18 W	36 W
L1	910 [35.83]	1640 [64.57]
L2	500 [19.69]	1250 [49.21]



20139E00

Light Fitting universal wall pendant mounting with frame for IP66

	18 W	36 W
L2	915 [36.02]	1645 [64.76]

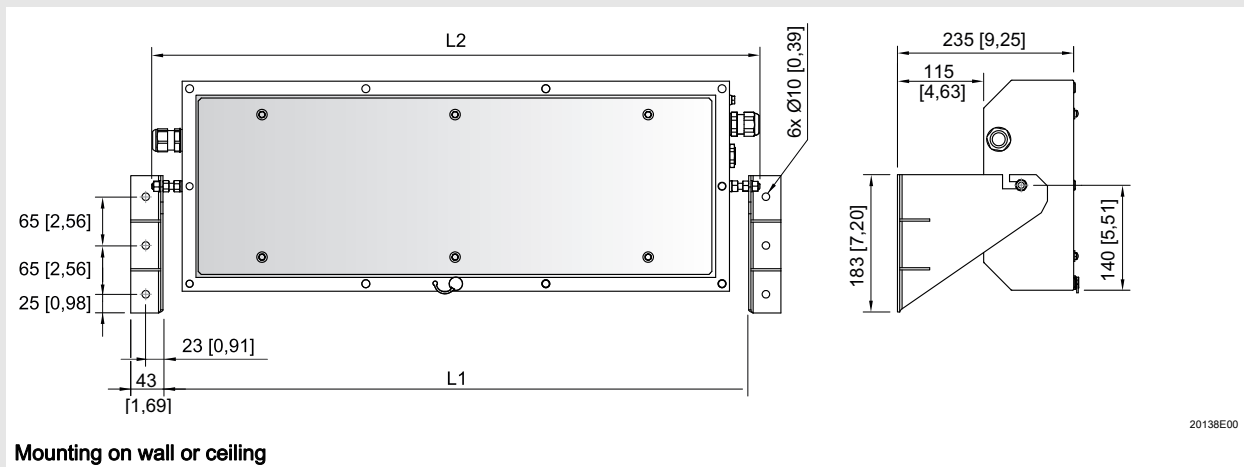


20141E00

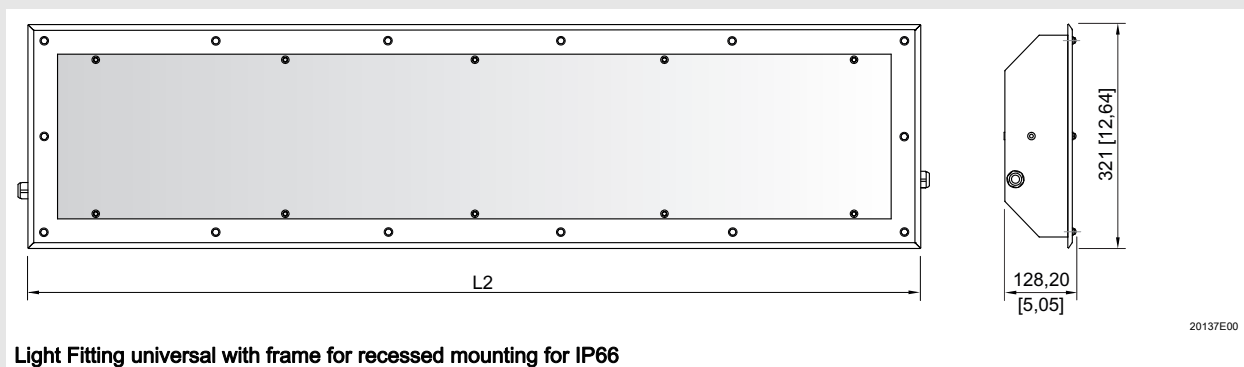
Mounting with ring bolts

	18 W	36 W
P	500 [19.69]	1250 [49.21]

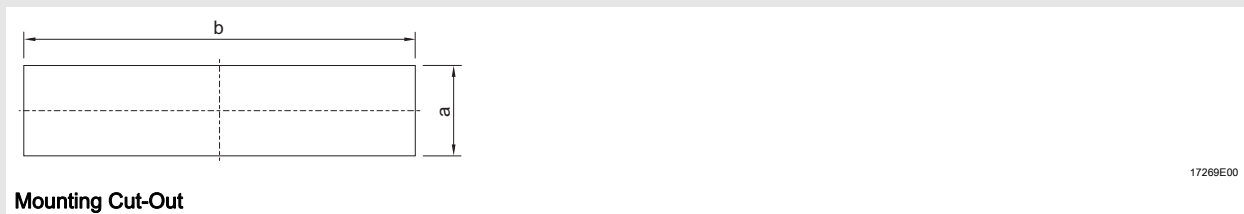
Emergency Luminaire Sheet Steel for Fluorescent Lamps Series 6018/1



	18 W	36 W
L1	961 [37.83]	1691 [66.57]
L2	991 [39.02]	1721 [67.76]



	18 W	36 W
L2	951 [37.44]	1681 [66.18]

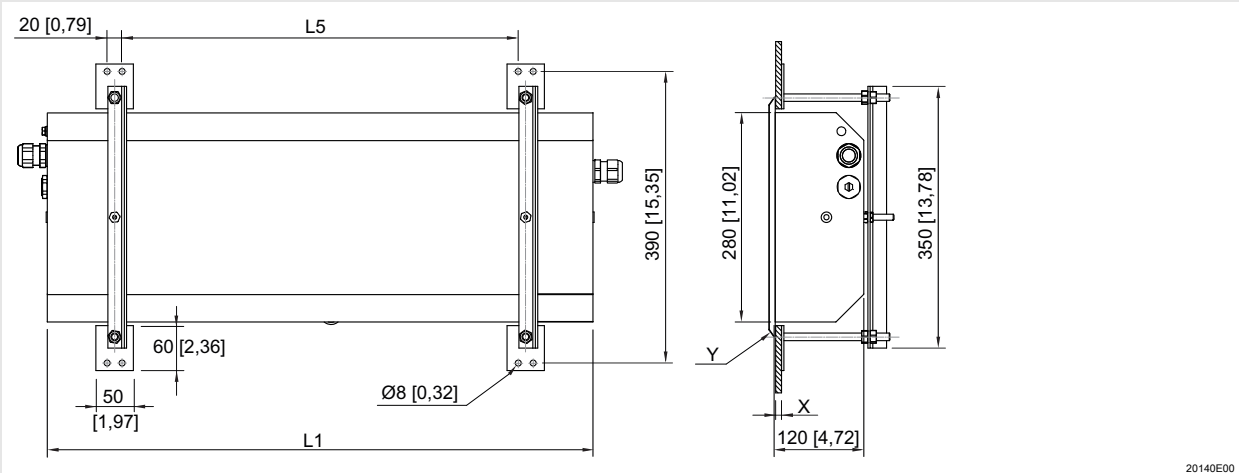


	18 W	36 W
a	290 [11.42]	290 [11.42]
b	920 [36.22]	1650 [64.96]

Emergency Luminaire Sheet Steel for Fluorescent Lamps Series 6018/1



E2



20140E00

Recessed mounting in wall or ceiling

	18 W	36 W
L1	910 [35.83]	1640 [64.57]
L5	480 [18.90]	1230 [48.43]

X – ceiling clamp for X = 10 [0.39] to 125 [4.92]
 Y – frame for recessed mounting can be ordered as accessory

We reserve the right to make alterations to the technical data, dimensions, weights, designs and products available without notice. The illustrations cannot be considered binding.