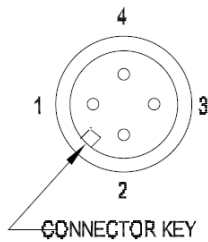
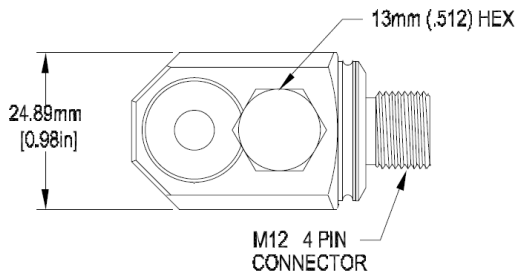
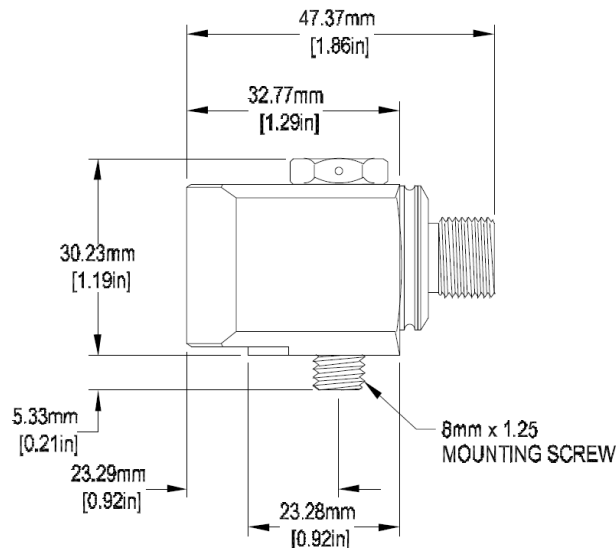


# Low profile, general purpose accelerometer

## 787AM8-M12



Connections	
Function	Connector pin
power / signal	1
common	2
N/C	3
N/C	4
ground	shell



### Key features

- Comes with industry popular M12 connector
- Rugged design
- Corrosion resistant
- Hermetically sealed
- Case isolated
- ESD protection
- Reverse wiring protection

### Certifications



Note: Due to continuous process improvement, specifications are subject to change without notice. This document is cleared for public release.

Wilcoxon Sensing Technologies  
 20511 Seneca Meadows Parkway  
 Germantown, MD 20876  
 info@wilcoxon.com

Tel: (301) 330 8811  
 Fax: (301) 330 8873  
 www.wilcoxon.com

Wilcoxon Sensing Technologies  
 An Amphenol Company

# Low profile, general purpose accelerometer 787AM8-M12

## SPECIFICATIONS

<b>Sensitivity, <math>\pm 5\%</math>, 25° C</b>	100 mV/g
<b>Acceleration range</b>	80 g peak
<b>Amplitude nonlinearity</b>	1%
<b>Frequency response:</b>	1.0 - 5,000 Hz
<b><math>\pm 10\%</math></b>	0.7 - 10,000 Hz
<b><math>\pm 3</math> dB</b>	
<b>Resonance frequency</b>	22 kHz
<b>Transverse sensitivity, max</b>	5% of axial
<b>Temperature response:</b>	-10%
<b>-25° C</b>	+10%
<b>+120° C</b>	
<b>Voltage source</b>	18 - 30 VDC
<b>Current regulating diode</b>	2 - 10 mA
<b>Electrical noise, equiv. g:</b>	
<b>Broadband 2.5 Hz to 25 kHz</b>	700 $\mu$ g
<b>Spectral 10 Hz</b>	10 $\mu$ g/ $\sqrt$ Hz
<b>100 Hz</b>	5 $\mu$ g/ $\sqrt$ Hz
<b>1000 Hz</b>	5 $\mu$ g/ $\sqrt$ Hz
<b>Output impedance, max</b>	100 $\Omega$
<b>Bias output voltage</b>	12 VDC
<b>Grounding</b>	case isolated, internally shielded
<b>Temperature range</b>	-50 to +120° C
<b>Vibration limit</b>	500 g peak
<b>Shock limit</b>	5,000 g peak
<b>Electromagnetic sensitivity, equiv g, max</b>	70 $\mu$ g/gauss
<b>Sealing</b>	hermetic
<b>Base strain sensitivity, max</b>	0.002 g/ $\mu$ strain
<b>Sensing element design</b>	PZT / shear
<b>Weight</b>	145 grams
<b>Case material</b>	316L stainless steel
<b>Mounting</b>	M8 thread captive screw
<b>Output connector</b>	4-pin, M12 style
<b>Mating connector</b>	M12 style
<b>Recommended cabling</b>	J10 / J9T2A

## Contact

Wilcoxon Sensing  
Technologies

20511 Seneca Meadows Parkway  
Germantown, MD 20876, USA

Tel: +1 301 330 8811  
Fax: +1 301 330 8873

info@wilcoxon.com

www.wilcoxon.com

## Accessories supplied:

- M8 thread captive hex head screw
- Calibration data

Note: Due to continuous process improvement, specifications are subject to change without notice.  
This document is cleared for public release.

Wilcoxon Sensing Technologies  
20511 Seneca Meadows Parkway  
Germantown, MD 20876  
info@wilcoxon.com

Tel: (301) 330 8811  
Fax: (301) 330 8873  
www.wilcoxon.com

Wilcoxon Sensing Technologies  
An Amphenol Company